



clarion

**MARINE
POWER SYSTEM**

**APX290M/
APX490M**

OPERATION/INSTALLATION
MANUAL
MANUEL D'OPERATION/
INSTALLATION
MANUAL DE
OPERACIÓN/INSTALACIÓN

clarion *APX290M/APX490M Power System Amplifier*

English

INTRODUCTION

The Clarion APX290M is a full-featured, two-channel amplifier incorporating the following features:

- Specially coated circuit boards that resist mold, mildew and moisture damage.
- Pulse-Width Modulated (PWM) MOSFET power supply for maximum performance with minimal distortion.
- Remote turn-on with "soft start" muting to prevent turn-on "thump".
- Variable high-pass/low-pass electronic crossover with a 12dB per octave slope (adjustable range: 55Hz to 5.5kHz).
- Variable bass boost circuit to reinforce low frequency signals that may be lost due to subwoofer enclosure design.
- Adjustable input level controls with ground loop isolation to minimize noise and distortion.
- 2-ohm stereo stable, 4-ohm mono stable.
- Gold-plated power, speaker, and RCA connectors.
- Speaker level input.
- Low profile construction with aluminum heat sink for efficient heat dissipation.

The Clarion APX490M is a full featured, four-channel amplifier adding the following feature:

- Advanced circuitry design featuring bridgeable and mixed mode operation for use in various system configurations including 4, 3, or 2 channel systems.

ABOUT THE MANUAL AND WARRANTY

This manual describes the basic requirements to install the Clarion APX290M and APX490M amplifiers. The installation of this amplifier can be quite complex to install, if you do not possess the necessary knowledge and tools to perform this installation, please contact your local Clarion Marine Audio dealer.

Keep all instructions and sales receipt for future reference and warranty information. Warranty information can be found on page 18 of this manual.

TABLE OF CONTENTS

Description	1
Input Connections and Audio Controls	2
Connections for Power and Speakers	4
Installation	6
Mounting Precautions	6
Wiring Precautions	6
APX490M Wiring and Applications	7
APX290M Wiring and Applications	12
Setting the Gain	15
Setting the Crossover	15
Setting the Subwoofer Bass Boost	15
Final System Check	16
Troubleshooting	16
Product Specs	17
Clarion Limited Warranty	18

Operation/Installation Manual

English

DESCRIPTION

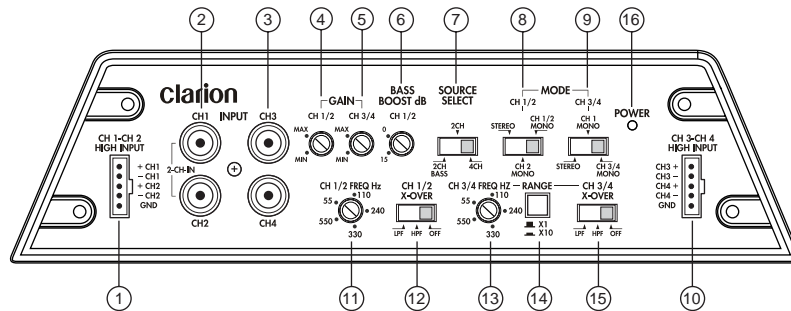
The APX290M and APX490M use an unregulated MOSFET power supply for superior sound and output wattage. In addition, a toroid-coil is used to transfer power with minimal performance loss due to heat. To avoid unwanted noise, a double-sided conformal printed circuit board with strategically placed components keeps AM RFI subdued.

All of the connections and controls for the APX290M and APX490M are conveniently located at the ends of the amplifier and labeled appropriately. To ensure the best possible electrical connections, the power, speaker, and RCA inputs are gold-plated. An additional benefit of the APX490M is the ability to create a 2, 3, or 4 channel amplified system with a flip of a switch (see Application section). In the event of component failure or a short circuit, the APX290M and APX490M incorporate safe guards and outboard ATC fuses to prevent damage to the amplifier.

INPUT CONNECTIONS AND AUDIO CONTROLS

The front panel of the APX490M and APX290M contain both connections for RCA and speaker level inputs, along with the audio controls as shown below.

Fig. 1
APX490M

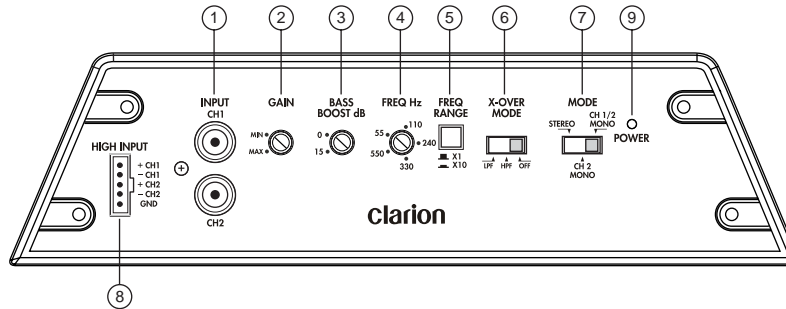


- | | |
|-------------------------|----------------------------------|
| 1. CH1/CH2 High Input | 9. CH 3/4 Mode Switch |
| 2. CH 1/2 RCA Input | 10. CH 3/4 High Input |
| 3. CH 3/4 RCA Input | 11. CH 1/2 Frequency Control |
| 4. CH1/CH2 Gain Control | 12. CH 1/2 Crossover Mode Switch |
| 5. CH 3/4 Gain Control | 13. CH 3/4 Frequency Control |
| 6. Bass Boost | 14. Frequency Range Multiplier |
| 7. Source Select | 15. CH 3/4 Crossover Mode Switch |
| 8. CH 1/2 Mode Switch | 16. Power Light Indicator |

clarion APX290M/APX490M Power System Amplifier

APX290M

English



- | | |
|-------------------------------|--------------------------------|
| 1. CH1/CH2 RCA Input | 6. Crossover Mode |
| 2. Gain Control | 7. Output Mode Selector Switch |
| 3. Bass Boost | 8. High Input |
| 4. CH1/CH2 Frequency (Hz) | 9. Power Light Indicator |
| 5. Frequency Range Multiplier | |

The RCA connections are gold plated for optimum performance and low signal loss. The RCA connectors are labeled CH 1 (front left), CH 2 (front right) [for APX490M: CH 3 (rear left), and CH 4 (rear right)]. In applications where RCA signals are not present, the speaker level output from the head unit can be used. (Use one or the other input, not both.)

- **Gain Controls:** For the APX490M, separate CH 1/2 and CH 3/4 gain controls allow you to set the nominal operating level of the amplifier. The amplifier's input range, 200mV to 6.0V for RCA inputs and 500mV to 13V for speaker level inputs, can accommodate input levels from virtually any head unit.
- **Bass Boost:** The amplifier features a "high-Q" (i.e. narrow frequency band) Bass Boost circuit. It acts much like an equalizer with an adjustable gain from 0 to +15dB fixed at 45Hz. Use this feature to tune low-frequency audio response to compensate for a less than ideal subwoofer enclosure design. The added boost produces rich, full bass tones that are normally difficult to reproduce in the marine audio environment.
NOTE: Bass Boost setting should only be used for subwoofer applications.
- **Source Select (APX490M only)**
 - 2 CH BASS: Uses CH 1/2 inputs and has output from all 4 channels with Bass Boost.
 - 2 CH: Uses CH 1/2 inputs and has output from all 4 channels. The Bass Boost will work only on CH 1/2 and have no effect on CH 3/4.
 - 4 CH: Uses all 4 channel inputs and has output from all 4 channels. The Bass Boost will work only on CH 1/2 and have no effect on CH 3/4.

Operation/Installation Manual

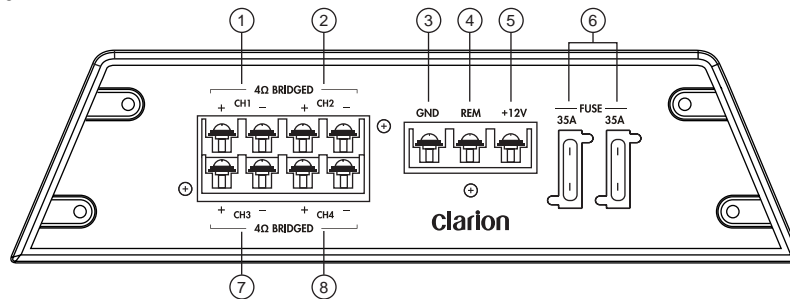
English

- Output Mode Selector Switch: CH 1/2 and CH 3/4 (APX490M only)
STEREO: Full left and right stereo operation.
CH 1 Mono / CH 2 Mono: Single channel input for bridged operation. This is especially useful in high-powered systems. (Uses CH 2 and CH 4 inputs.)
CH 1/2 Mono / CH 3/4 Mono: Allows for a stereo input to be summed into a mono output.
- CH 1/2 FREQ / CH 3/4 FREQ (APX490M only) The CH 1/2 crossover frequencies are adjustable from 55Hz to 550Hz. While CH 3/4 crossover frequencies are adjustable from 55Hz to 5500Hz (via the Frequency Range Multiplier) for a wider range of crossover points. Use this feature along with your speaker manufacturer's recommended crossover frequencies to quickly design a more advanced system.
NOTE: If either of the Crossover Mode Switches is set to OFF, varying the frequency control will have no effect.
- CH 1/2 Filter / CH 3/4 Filter (APX490M only) A filter is activated by sliding the CH 1/2 and CH 3/4 filter switch to either HP = High Pass or LP = Low Pass. CH 1/2 is fully adjustable from 55-550Hz (via CH 1/2 Freq) and CH 3/4 is fully adjustable from 55-5500Hz (via CH 3/4 Frequency and Frequency Range Multiplier). Use this feature along with your speaker manufacturer's recommended crossover frequencies to design a more advanced system.

CONNECTIONS FOR POWER AND SPEAKERS

The rear panel of the APX490M and APX290M contains power and speaker connections as shown below.

Fig. 2
APX490M



- | | |
|-----------------------|-----------------------|
| 1. CH1 Speaker Output | 5. Battery +12V Input |
| 2. CH2 Speaker Output | 6. 2 - 35 Amp Fuse |
| 3. Ground | 7. CH3 Speaker Output |
| 4. Remote Turn-on | 8. CH4 Speaker Output |

clarion APX290M/APX490M Power System Amplifier

APX490M - Electrical Connection

English

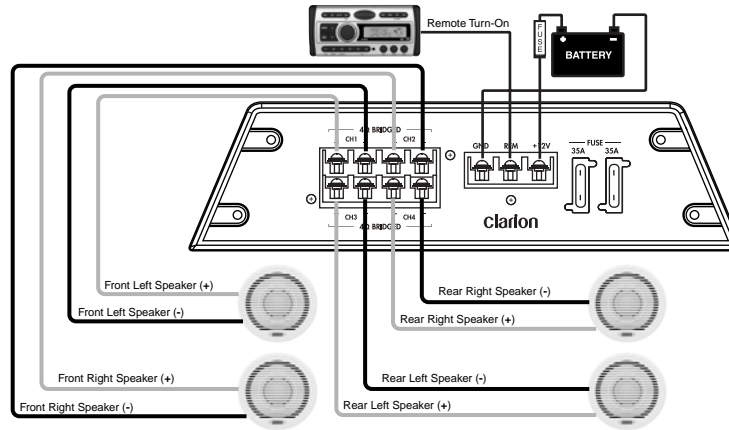
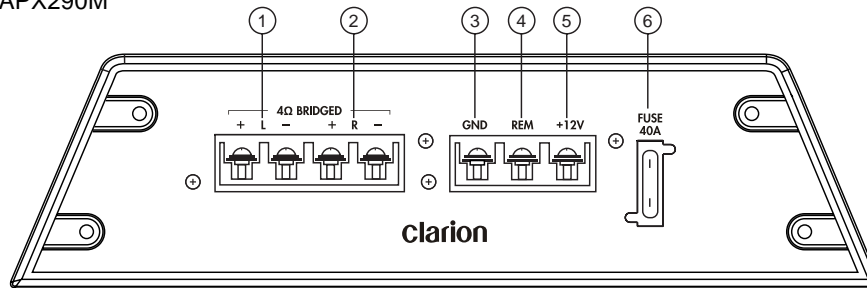
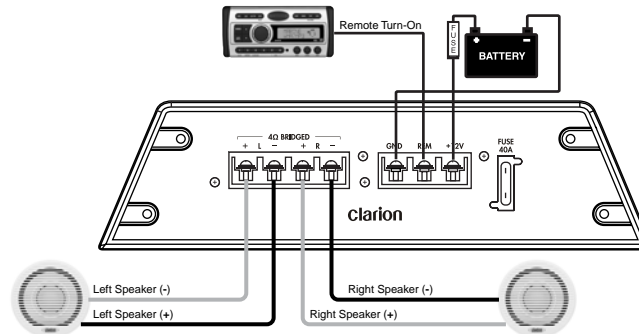


Fig. 3
APX290M



- | | |
|-----------------------|-------------------|
| 1. CH1 Speaker Output | 4. Remote Turn-on |
| 2. CH2 Speaker Output | 5. Battery |
| 3. Ground | 6. 40 Amp Fuse |

APX290M - Electrical Connection



Operation/Installation Manual

English

INSTALLATION

This section suggests Mounting and Wiring Precautions for installing the Clarion APX290M and/or APX490M amplifier(s). If you do not possess the necessary tools and installation experience, do not attempt to install these amplifiers. Instead, contact your local Clarion Marine Audio dealer to perform the installation.

MOUNTING PRECAUTIONS

Prior to mounting the amplifier, make sure it is safe to mount the amplifier in that location. Failure to do so can result in serious damage to the boat. In addition, stainless steel hardware should be used to mount the amplifier and additional accessories. When possible, use a nut and bolt with a lock washer to secure the amplifier. Extra care and attention is necessary in marine installations due to the uncertainty of water conditions.

Additional precautions and suggestions:

1. For the most efficient cooling, mount the amplifier so cool air runs along the length of the heat sink, rather than across them. To increase air movement and circulation, a cooling fan can be installed.
2. Mount the amplifier on a rigid surface; avoid mounting to subwoofer enclosures or areas prone to vibration.
3. Prior to drilling and holes, make sure the proposed mounting holes will not cut into the fuel tank, fuel lines, electrical wiring, or through the boat.
4. Do not mount the amplifier where it is susceptible to water.

WIRING PRECAUTIONS

Read all of the wiring precautions prior to making any connections. If you are unsure and/or don't have the necessary installation hardware, contact your local Clarion Marine Audio dealer to perform the installation.

1. Before you begin the installation, make sure the source unit Power switch is in the OFF position.
2. Disconnect the negative (-) lead of the battery (or batteries) before making any power connections.
3. When making connections, be sure that each connection is clean and secure. Insulate final connections with electrical tape or shrink tubing. Failure to do so may damage your equipment.
4. A good ground is critical for the performance of the amplifier. A ground wire should be run directly from the battery to the amplifier. Use black insulated 10-gauge or larger wire for the amplifier's ground (-) power lead.
5. Add an additional fuse holder and fuse at the positive (+) terminal of the battery. The fuse rating should equal the total current consumption at full output of the amplifier(s). Use red insulated 10-gauge or larger wire for the amplifier's positive (+) power lead. Do not install the fuse until the complete installation has been performed.
6. When replacing the amplifier's fuse, always use one having the same amperage rating. Substituting a higher rated fuse or a slow-blow type can result in serious damage to the amplifier.

English

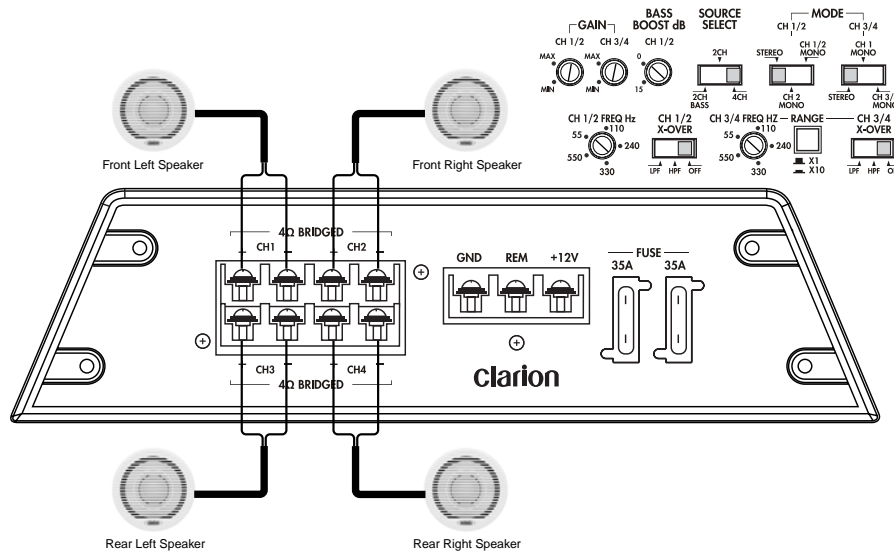
clarion APX290M/APX490M Power System Amplifier

7. When creating passage holes for power cables, RCA's cables, and speaker wires, use grommets to eliminate any sharp edges created during drilling. This will protect the wire from being nicked and causing a short circuit.
8. Extra cable can cause signal loss and act as an "antenna" for noise. Use only high-quality RCA cables that are no longer than necessary.
9. In multiple amplifier systems, it is recommended to use a relay on the remote turn-on lead of the radio.

APX490M WIRING AND APPLICATIONS

The Clarion APX490M 4-channel marine audio amplifier can be used in a variety of system applications. Here are some examples to help plan your own installation.

Fig. 4
4-Channel Full Range Stereo System

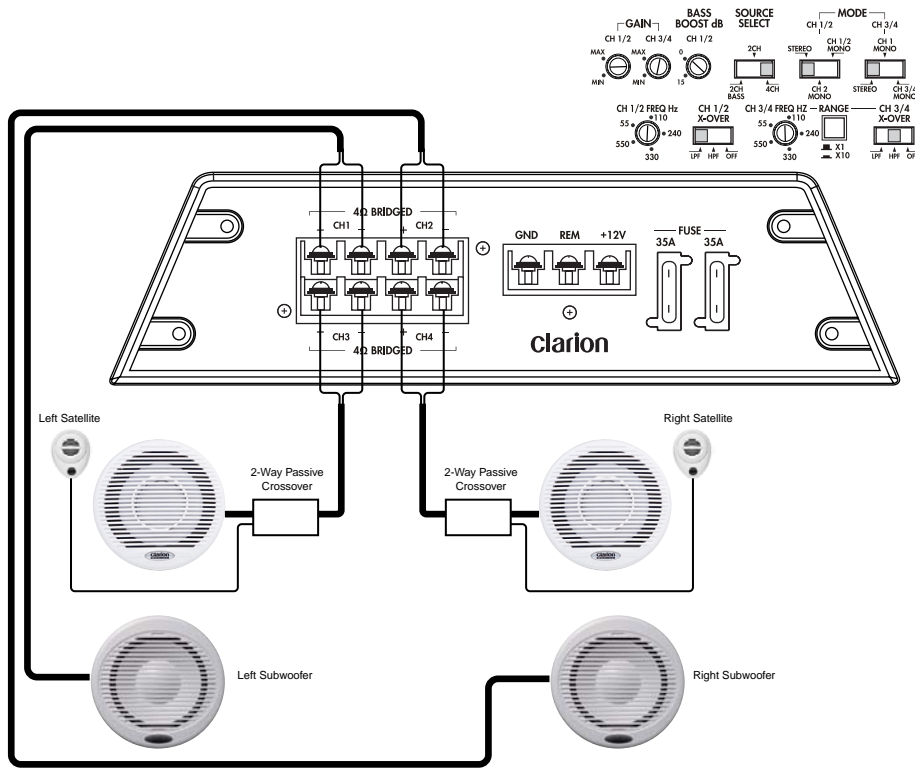


In this application, the APX490M is used as a 4-channel amplifier to drive four full range speakers in stereo.

Operation/Installation Manual

Fig. 5
4-Channel Stereo System,
2-Channel High-Pas, 2-Channel Low-Pass

English

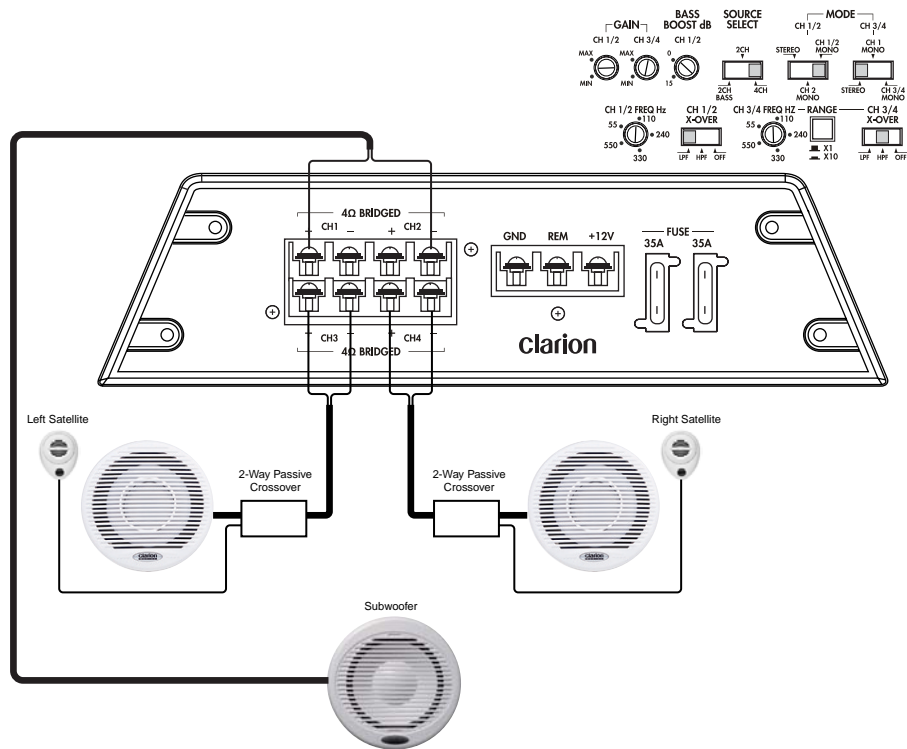


In this 4-channel system, the APX490M drives a pair of stereo satellites for the front and a pair of subwoofers for the rear. Note the filter settings.

clarion APX290M/APX490M Power System Amplifier

Fig. 6
2-Channel Stereo System with Low-Pass Bridged Mono Channel

English

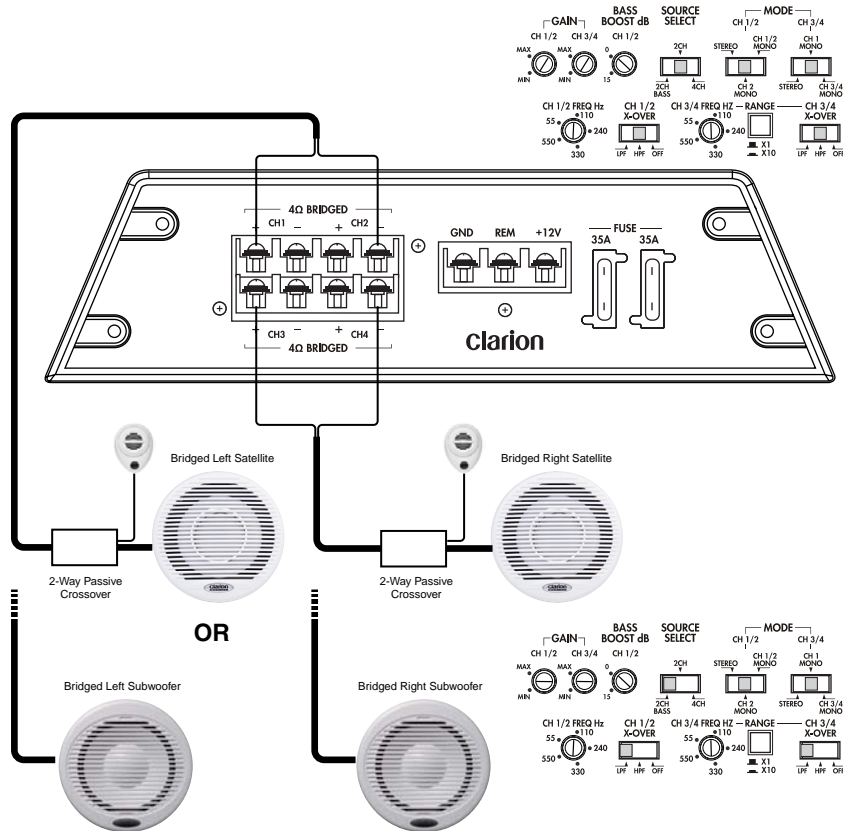


The APX490M can also be used to drive a pair of stereo satellites for the front and a single mono subwoofer for the rear. Note the filter settings.

Operation/Installation Manual

Fig. 7
2-Channel High Power System (Satellite or Subwoofer)

English

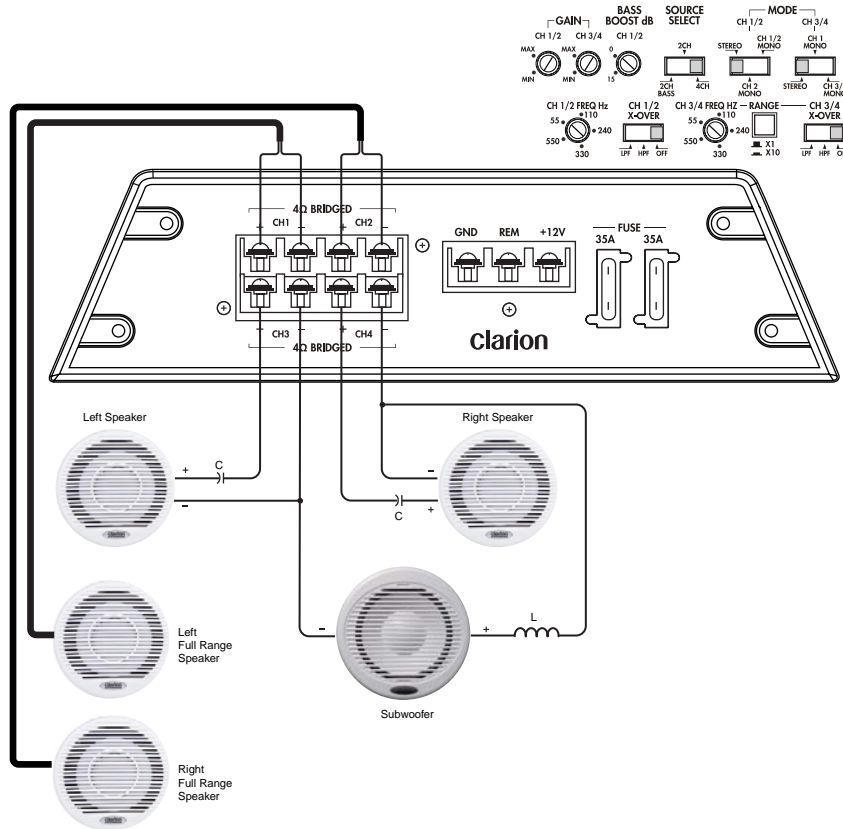


The APX490M can be set up as a 2-channel high power amplifier to drive a pair of satellites (or subwoofers)

clarion APX290M/APX490M Power System Amplifier

Fig. 8
Mixed Mode System On Rear, Full Range Speakers On Front

English



FREQ (Hz)	L (mH)	C (uF)
80	8.0	497
100	6.4	398
125	5.1	318
150	4.2	265
200	3.2	199

NOTE: Chart values based on 4 Ohm speakers.

The amplifier can be configured for a mixed-mode operation on either channels 1/2 or 3/4 amplifier sections. The table provides component values to create a 6dB per octave crossover at specified frequencies. Use components that have a $\pm 5\%$ tolerance and capacitors rated at 100V.
NOTE: Choose the same frequency for both LP and HP crossovers. Do not overlap frequencies, as this may damage the amplifier.

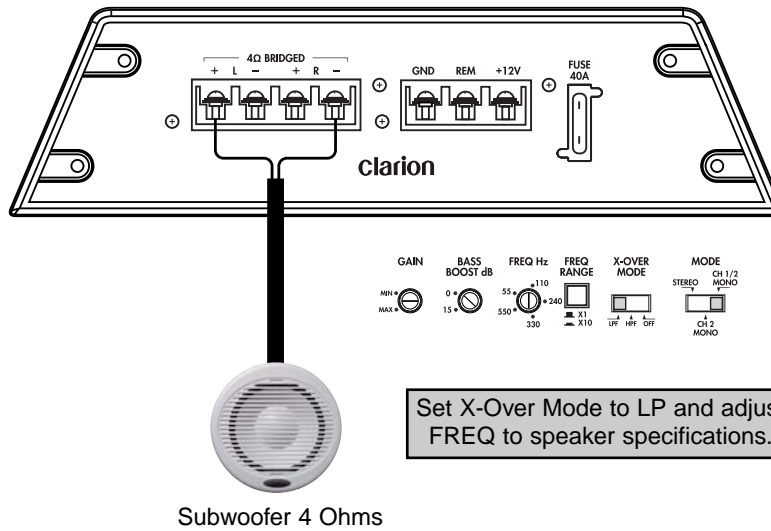
Operation/Installation Manual

APX290M WIRING AND APPLICATIONS

The Clarion APX490M 4-channel marine audio amplifier can be used in a variety of system applications. Here are some examples to help plan your own installation.

English

Fig. 9
Bridged - Mono Subwoofer System

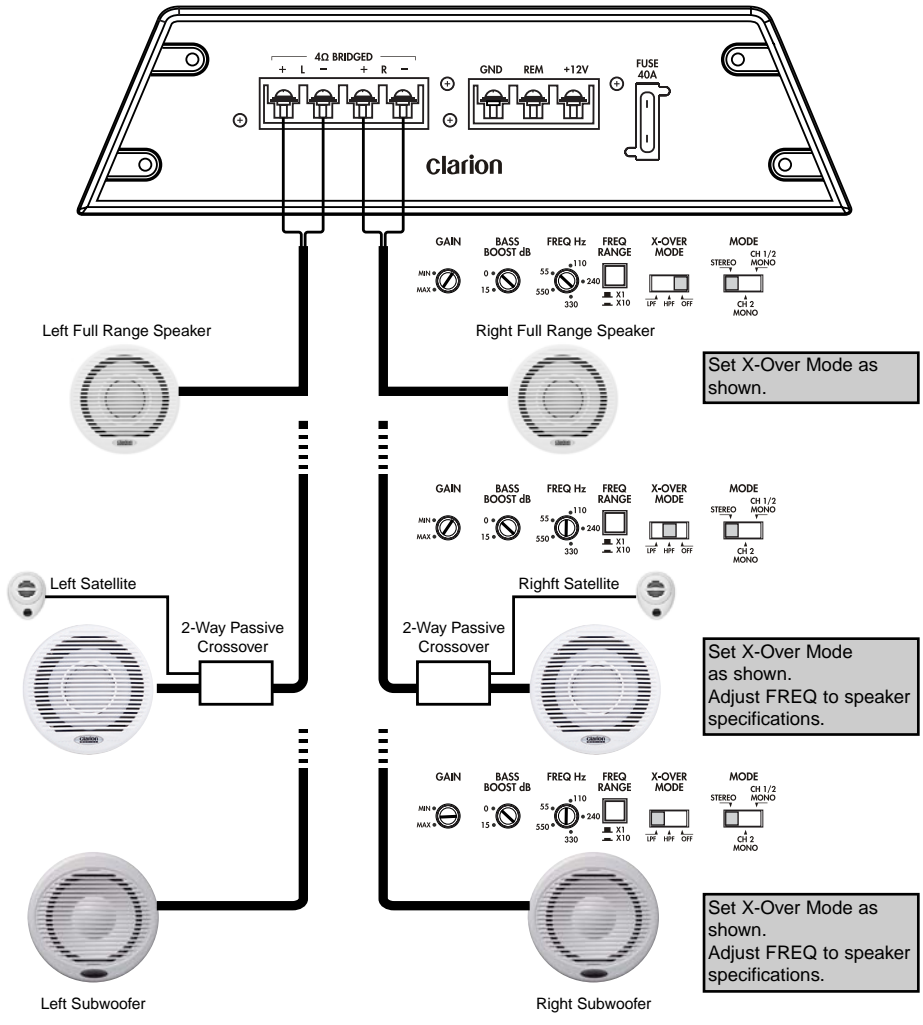


In this application the amplifier is bridged for mono operation to drive a subwoofer.

clarion APX290M/APX490M Power System Amplifier

Fig. 10
2-Channel Full-Range, Satellite, or Subwoofer Stereo System
(Set INPUT SELECT Switch to STEREO)

English

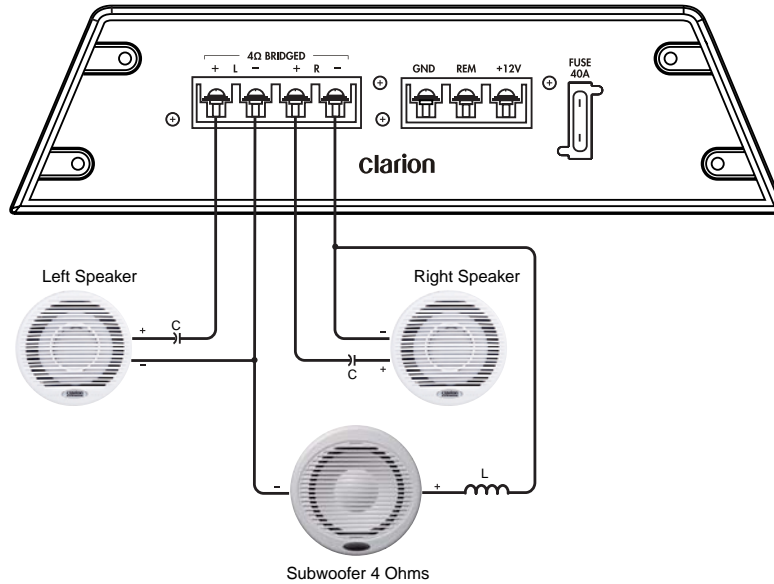


In this application, the amplifier is used in stereo and drives two full-range (or satellite or subwoofer) speakers. NOTE: A passive crossover must be used with satellite speakers.

Operation/Installation Manual

English

Fig. 11
Mixed-Mode Satellite and Subwoofer System
(Set INPUT SELECT Switch to STEREO)



FREQ (Hz)	L (mH)	C (μF)
80	8.0	497
100	6.4	398
125	5.1	318
150	4.2	265
200	3.2	199

NOTE: Chart values based on 4 Ohm speakers.

The amplifier can be configured for a mixed-mode operation. The table provides component values to create a 6dB per octave crossover at specified frequencies. Use components that have a + 5% tolerance and capacitors rated at 100V.
NOTE: Choose the same frequency for both LP and HP crossovers. Do not overlap frequencies, as this may damage the amplifier.

clarion APX290M/APX490M Power System Amplifier

English

SETTING THE GAIN

After completing the installation, follow these steps to set the Gain Control and then perform the Final System Checks.

1. Turn the Gain Control all the way counter-clockwise.
2. Turn the ON/OFF Switch on the source units to the ON position. Set all Tone or Equalization Controls to "flat" positions and turn Loudness off.
3. Play a CD, set the Volume Control at 75% of full level.
NOTE: If the system uses an equalizer, set its frequency controls to "flat" positions.
4. Slowly increase the Gain Control. Stop when you hear a slight distortion of audio.

SETTING THE CROSSOVER

The Clarion APX290M features a fully adjustable crossover, the APX490M features fully adjustable front and rear crossovers. To set the crossover, follow these steps.

1. Using the X-Over Mode Switch, select the desired mode: LP for Low Pass, HP for High Pass or OFF for Full Range.
2. Using the Freq (Hz) Selection Control, select the desired frequency. If the desired frequency exceeds the range of the Freq (Hz) Selection Control, press the Crossover Frequency Multiplier Switch to increase the value by a multiplier of 10.
 - For example, 55Hz x 10 = 550Hz or 550Hz x 10 = 5.5kHz.
3. Repeat steps 1 and 2 for both the front and rear crossovers on the APX490M.

SETTING THE SUBWOOFER BASS BOOST

1. Initially set the Bass Boost control to its full left position (i.e. 0dB).
2. Listen to a variety of music styles (e.g. Rock, Rap, etc.) and slowly increase the Bass Boost control until a noticeable increase in low bass response is perceived.
3. Slowly adjust the Bass Boost control (up or down) to realize the best bass response.

CAUTION: If you hear a "pop" (due to speaker over-excursion), lower the Bass Boost to prevent speaker damage. If the system sounds muddy and distorted (due to amplifier clipping), lower Bass Boost to avoid shutdown from overheating.

Operation/Installation Manual

FINAL SYSTEM CHECK

1. Turn on the source unit. After a two-second delay, slowly increase the Volume Control and listen to the audio. If you hear any noise, static, distortion or no sound at all, check the connections, and also refer to Troubleshooting. Depending on your system design, the levels may become quite loud even at low Volume Control settings. Until you get an "audio feel" of the system's power, use care when adjusting controls.
2. Turn the Balance Controls to their extreme positions and listen to the results. Audio imaging should match control settings (audio from the left speaker when balance is left).
3. Increase the volume and verify that the amplifier reproduces audio (at full frequencies) without distortion. If you hear distortion, check the connections and verify that the Gain Control is set correctly. Another possibility is damaged speakers or under-powered speakers. Once again refer to Troubleshooting for additional help.

English

TROUBLESHOOTING

Problem

No Audio.

Solution

Low or no remote turn-on voltage. Check remote connections at amplifier and source unit.

Blown amplifier fuse. Replace with new fast-blow fuse (same rating).

Power wires not connected. Check battery and ground wiring at amplifier; also check battery connections.

Speaker leads shorted. Check speaker continuity to ground, it should not show a common ground.

Speakers not connected or are blown. Check speaker connections at amplifier, measure coil impedance.

Problem

Audio cycles on and off.

Solution

Thermal protection circuits are shutting amplifier off. Check location for adequate ventilation; consult an authorized Clarion Marine Audio Dealer.

clarion APX290M/APX490M Power System Amplifier

Problem

Distorted audio.

Solution

Gain is not set properly, or damaged speaker cones. Review Setting Gain; inspect each speaker cone for signs of damage (i.e. frozen cone, burning smell, etc.)

Problem

Audio lacks punch.

Solution

Speakers wired incorrectly, which causes cancellation of bass frequencies. Check polarity of wires from amplifier to each speaker as defined by the system design.

Problem

Amplifier fuse keeps blowing.

Solution

Incorrect wiring or short circuit. Review Installation and check all wiring connections.

Problem

Whining or ticking noise in the audio with engine on.

Solution

Amplifier is picking up alternator noise or radiated noise. Turn down input gain; move audio cables away from power wires. Check power and ground connections on amplifier; install an in-line noise filter on source unit's power wire; check alternator and/or voltage regulator; test for weak battery or add water to battery.

PRODUCT SPECS

MODEL	APX490M	APX290M
Frequency Response	20Hz ~ 20kHz	20Hz ~ 20kHz
Signal Noise Ratio	>97db	>95db
THD	.10% all channels driven	.10% all channels driven
Input Sensitivity		
Low Level	200mV ~ 6.0V	200mV ~ 6.0V
Input Sensitivity		
Speaker Level	500mV ~ 13V	500mV ~ 13V
Max. Power Output	720W (180 x4)	360W (180 x2)
Cont. Power Output	360W (90W x4) @ .10% THD	180W (90W x2) @ .10% THD
2-Ohm Stereo Output	165W x 4 @ .10% THD	150W x 2 @ .10% THD
Bridged Power	330W x 2 @ .10% THD	250W x 1 @ .10% THD
Dimensions	2-1/8" H x 8-3/4" W x 16-1/8" L	2-1/4" H x 9-1/8" W x 10-1/2" L
Current Consumption at output @ max power	58A @ 720 Watts	29A @ 382 Watts

Operation/Installation Manual

CLARION LIMITED WARRANTY

This Clarion product purchased from an authorized Clarion dealer are warranted against all defects in materials and workmanship for a period of **one (1) year** from the date of original purchase, when purchased from **AND** installed by an authorized Clarion dealer.

All Clarion cables, wires and other accessories if purchased from an authorized Clarion dealer are warranted against all defects in materials and workmanship for ninety (90) days from the date of original purchase.

ALL PURCHASES OF CLARION PRODUCTS FROM NON-AUTHORIZED CLARION DEALERS ARE SUBJECT TO FURTHER WARRANTY RESTRICTIONS AS DESCRIBED BELOW.

The conditions of this Limited Warranty and the extent of responsibility of Clarion Corporation of America ("Clarion") under this Limited Warranty are as follows :

1. **PROOF OF DATE OF PURCHASE FROM AN AUTHORIZED CLARION DEALER WILL BE REQUIRED FOR WARRANTY SERVICE OF THIS PRODUCT. CENTERS MAY BE OBTAINED BY CONTACTING CLARION AT THE ADDRESS LISTED BELOW.**
2. This Limited Warranty will become void if service performed by anyone other than an approved Clarion Warranty Service Center results in damage to the product.
3. This Limited Warranty does not apply to any product which has been subject to misuse, neglect or accident, or which has had the serial number altered, defaced or removed, or which has been connected, installed, adjusted or repaired, other than in accordance with the instructions furnished by Clarion.
4. This Limited Warranty does not cover car static or other electrical interferences, tape head or laser pick-up cleaning or adjustments, or labor costs for the removal or reinstallation of the unit for repair.
5. The sole responsibility of Clarion under this Limited Warranty shall be limited to the repair of the product or replacement of the product, at the sole discretion of Clarion.
6. Product must be shipped in its original carton or equivalent carton, fully insured, with shipping charges prepaid. Clarion will not assume any responsibility for any loss or damage incurred in shipping.
7. **CLARION PRODUCTS PURCHASED FROM A SOURCE OTHER THAN AN AUTHORIZED CLARION DEALER, INCLUDING ANY AND ALL PURCHASES VIA THE INTERNET FROM A NON INTERNET AUTHORIZED CLARION DEALER, SHALL NOT BE COVERED BY ANY CLARION LIMITED WARRANTY TO THE EXTENT ALLOWED BY APPLICABLE LAW. IN THE EVENT AND TO THE EXTENT APPLICABLE LAW PROHIBITS ELIMINATION OF WARRANTIES UNDER THESE CIRCUMSTANCES, THE APPLICABLE LIMITED WARRANTY PERIOD SHALL BE DEEMED TO BE FIFTEEN (15) DAYS FROM THE DATE OF ORIGINAL PURCHASE.**
8. **ALL IMPLIED WARRANTIES EXCEPT TO THE EXTENT PROHIBITED BY APPLICABLE LAW SHALL HAVE NO GREATER DURATION THAN THE WARRANTY PERIOD SET FORTH ABOVE. UNDER NO CIRCUMSTANCES SHALL CLARION BE LIABLE FOR ANY LOSS OR DAMAGE, DIRECT OR CONSEQUENTIAL, ARISING OUT OF THE USE OR INABILITY TO USE THE PRODUCT. BECAUSE SOME STATES DO NOT ALLOW LIMITATIONS ON HOW LONG AN IMPLIED WARRANTY LASTS OR EXCLUSIONS OR LIMITATIONS OF INCIDENTAL OR CONSEQUENTIAL DAMAGES, THE ABOVE LIMITATIONS OR EXCLUSIONS MAY NOT APPLY TO YOU.**
9. **THIS LIMITED WARRANTY GIVES YOU SPECIFIC LEGAL RIGHTS, AND YOU MAY ALSO HAVE OTHER RIGHTS WHICH VARY FROM STATE TO STATE.**
10. The laws of the State of California shall govern and control this Limited Warranty, its interpretation and enforcement.
11. Should you have any difficulties with the performance of this product during the warranty period, please call Clarion or visit our web site for a listing of Authorized Warranty Service Centers in your area. You may also contact Clarion Customer Service at the address listed below for any service help you may need with Clarion products.

In USA:
Clarion Corporation of America
Attn:Customer Service Manager
6200 Gateway Drive
Cypress, CA 90630
1-800-GO-CLARION
www.clarion.com

In Canada:
Clarion Canada Inc.
Warranty Service Center
2239 Winston Park Drive
Oakville, Ontario L6H 5R1
(905) 829-4600
www.clarion.com

English

clarion APX290M/APX490M Amplificateur de Puissance

INTRODUCTION

Le APX290M de Clarion est un amplificateur à deux canaux possédant les caractéristiques suivantes:

- Bloc d'alimentation MOSFET avec modulation de pulsation (PWM) pour une puissance maximale avec un minimum de distorsion.
- Mise en fonction avec sourdine "départ doux" pour prévenir les bruits de tension (un "pop " dans les haut-parleurs) lors de la mise en fonction.
- Filtres électroniques variables passe-haut et passe-bas avec une pente de 12dB par octave (gamme d'ajustement: 55Hz à 5.5kHz).
- Circuit variable d'accentuation des basses pour compenser les basses fréquences moins prédominantes dues au design du caisson.
- Contrôles de niveau d'entrée ajustables avec isolation de mise à la terre pour minimiser les bruits parasites et distorsion.
- Stable à 2 Ohms en stéréo, stable 4 Ohms en mono.
- Bornes de courant, haut-parleurs et RCA plaqués or.
- Entrée de niveau haut-parleur
- Fabrication profilée avec évent en aluminium pour bien dissiper la chaleur.

L'amplificateur APX490M de Clarion est complété de toutes fonctions incluant la suivante:

- Circuit électronique avancé avec capacité de sortie en pont et en mode mixe pour des configurations multiples incluant des applications à 2, 3, ou 4 canaux.

Français

AU SUJET DU MANUEL ET DE LA GARANTIE

Ce manuel décrit les éléments de base pour installer l'amplificateur APX290M de Clarion. L'installation peut se révéler complexe, si vous ne possédez pas l'expertise ou les outils nécessaires pour accomplir cette installation, veuillez contacter le marchand Clarion de votre région.

Gardez toutes les instructions et copies de facture pour références futures et informations sous la garantie. Les informations portant sous la garantie se retrouvent à la page ? de ce manuel.

TABLE DES MATIÈRES

Description
Raccordements d'Entrée et Contrôles Audio
Raccordement du courant et fils haut-parleur
Installation
Précaution de Montage
Précaution du Filage
Filage et Applications
Réglage du Contrôle de Gain
Réglage des Filtres Électroniques
Réglage de l'Accentuation Variable des Basses
Vérifications Finales du Système
Guide de Dépannage
Spécifications du Produit
Garantie Limitée Clarion

Manuel D'Operation/ Installation

DESCRIPTION

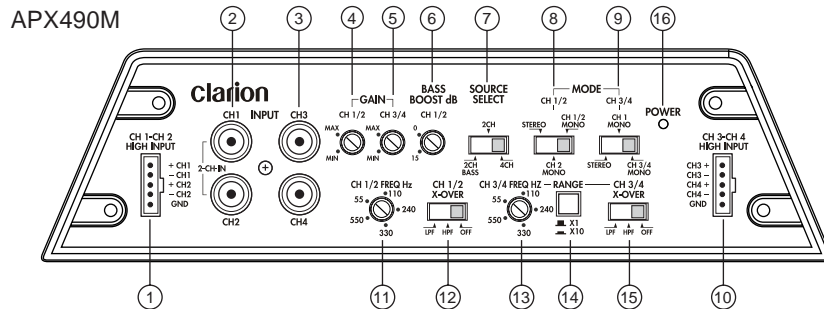
L'APX290M et l'APX490M utilisent un bloc d'alimentation non régularisé MOS-FET pour une sonorité et puissance de sortie supérieure. En addition, une bobine-toroïde est utilisée pour transférer le courant avec le moins de perte de performance due à la chaleur. Pour éviter les bruits parasites indésirables, un circuit imprimé à deux côtés est revêtu d'un vernis isolant. De plus, les composants sont assemblés à des endroits stratégiques pour atténuer les interférences radio reliées à l'amplification modulaire (AM RFI).

Tous les raccordements et contrôles sur le APX290M et le APX490M sont situés à l'extrémité de l'amplificateur et proprement identifiés pour plus d'aisance. Pour assurer le meilleur raccordement électrique possible, les bornes de courant, haut-parleurs et entrées RCA sont plaqués or. Un avantage additionnel de l'APX490M est son habilité de créer un système amplifié à 4, 3 ou 2 canaux (voir guide d'application). Dans le cas d'une défectuosité ou d'un court-circuit, le APX290M et le APX490M intègrent des systèmes de protection et un fusible ATC externe pour prévenir contre les dommages à l'amplificateur.

RACCORDEMENTS DES SIGNAUX D'ENTRÉE ET CONTRÔLES AUDIO

Le panneau avant du APX490M et du APX290M renferme les raccordements RCA et des entrées de type niveau haut-parleur ainsi que les contrôles audio tels que démontrés ci-dessous.

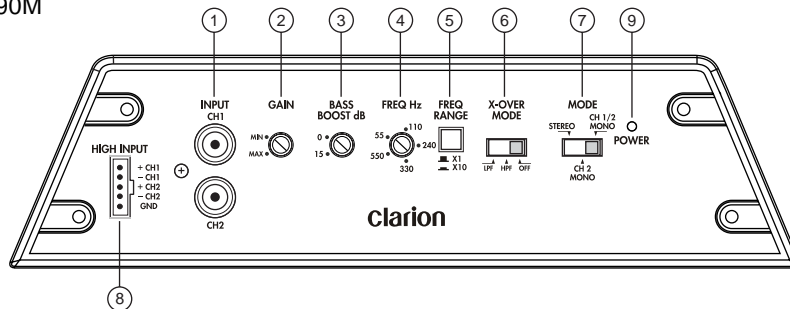
Fig. 1



- | | |
|--|---|
| 1. Entrée Niveau Haut-Parleur canaux 1 et 2 | 11. Contrôle de Fréquence canaux 1 et 2 |
| 2. Entrée de type RCA Canaux 1 et 2 | 12. Mode d'opération du Filtre canaux 1 et 2 |
| 3. Entrée de type RCA Canaux 3 et 4 | 13. Contrôle de Fréquence canaux 3 et 4 |
| 4. Contrôle de Gain Canaux 1 et 2 | 14. Commutateur du Multiplicateur de Fréquences |
| 5. Contrôle de Gain Canaux 3 et 4 | 15. Mode d'opération du Filtre canaux 3 et 4 |
| 6. Accentuation Variable des Basses | 16. Témoin lumineux |
| 7. Commutateur du sélecteur de source | |
| 8. Mode d'Opération canaux 1 et 2 | |
| 9. Mode d'Opération canaux 3 et 4 | |
| 10. Entrée Niveau Haut-Parleur canaux 3 et 4 | |

clarion APX290M/APX490M Amplificateur de Puissance

APX290M



Français

- | | |
|--|---|
| 1. Entrée de type RCA Canaux 1 et 2 | 6. Mode d'opération du Filtré canaux 1 et 2 |
| 2. Contrôle de Gain Canaux 1 et 2 | 7. Mode d'Opération |
| 3. Accentuation Variable des Basses | 8. Entrée Niveau Haut-Parleur canaux 1 et 2 |
| 4. Contrôle de Fréquence canaux 1 et 2 | 9. Témoin lumineux |
| 5. Commutateur du Multiplicateur de Fréquences | |

Les bornes d'entrée de type RCA sont plaquées or pour permettre une conductibilité maximale et pour minimiser la dégradation du signal. De plus, ils sont identifiés FRONT RIGHT (avant droit), FRONT LEFT (avant gauche), et pour APX490M : REAR RIGHT (arrière droit) et REAR LEFT (arrière gauche). Dans certaines applications où une connexion via prise RCA n'est pas possible, la sortie haut-parleur de la radio peut être utilisé comme source de signal d'entrée. Important : utiliser que l'une des sources de signal, soit de type RCA ou de type haut-parleur et jamais les deux.

- Contrôle de Gain: Pour l'APX490M, les contrôles de gain pour les canaux 1-2 et 3 - 4 sont séparés pour permettre d'établir le niveau d'opération nominal. La plage d'amplitude du signal d'entrée s'étend de 200mV à 6V pour les connexions de type RCA et de 500mV à 13V pour les connexions de type haut-parleur. Cet éventail de choix d'ajustements permet une connectivité à pratiquement n'importe quelle marque d'unité de source.
- Accentuation Variable des Basses: Ces amplificateurs offrent un circuit pour accentuer les basses sur une plage étroite (connu sous l'appellation Q élevée). Le contrôle d'augmentation de basses fonctionne un peu comme un égalisateur de fréquences réglées à 45 Hz avec un gain de 0 à + 15dB. Utilisez ce contrôle pour maximiser la réponse audio dans les basses fréquences qui ont besoin d'être compensées due des contraintes d'efficacité du caisson. L'augmentation des basses reproduit des tonalités riches et entières qui sont normalement difficiles à reproduire dans un environnement marin.
NOTE: l'accentuation variable des basses doit seulement être utilisée dans les applications avec haut-parleur d'extrêmes graves.
- Commutateur du Sélecteur de Source (APX490M seulement)
2 Canaux Bass: Utilisez les entrées 1- 2 seulement et la sortie amplifiée est sur les quatre canaux. L'accentuation variable de la basse est sur les sorties 1-2 et 3-4.

Manuel D'Operation/ Installation

2 Canaux: Utilise les entrées 1- 2 seulement et la sortie amplifiée est sur les quatre canaux. L'accentuation variable de la basse est seulement sur les sorties 1 et 2.

4 Canaux: Utilise les quatre entrées et la sortie amplifiée est sur les quatre canaux. L'accentuation variable de la basse est seulement sur les sorties 1 et 2.

- Mode d'Opération pour Entrée du Signal: Canaux 1-2 et Canaux 3-4 (APX490M seulement)

Stéréo: Signal d'Entrée Stéréo pour les canaux gauche et droit.

Canal 1 Mono et Canal 2 Mono: Permet une opération pontée de la sortie haut-parleur avec le signal d'entrée présent sur un canal seulement. Ceci est particulièrement pratique dans les systèmes de haute puissance où vous utilisez l'APX490M comme un amplificateur à 2 canaux.

Note: le signal d'entrée doit être présent sur les canaux 2 et 4 seulement.

Canaux 1-2 Mono et Canaux 3-4 Mono : Permet une somme mono balancée d'un signal d'entrée stéréo.

- Contrôle de Sélection des Fréquences Canaux 1-2 et Canaux 3-4 (APX490M seulement)

La fréquence de coupe du filtre sur les canaux 1-2 est entièrement ajustable entre 55 Hz et 5500 Hz. La fréquence de coupe du filtre sur les canaux 3-4 est entièrement ajustable entre 55 Hz et 5500 Hz (via le multiplicateur de fréquence) pour une grande variété de points de coupure. Utilisez cette fonction en concordance avec les recommandations du fabricant de vos haut-parleurs. NOTE: Si vous réglez un ou l'autre des commutateurs du Mode d'Opération du Filtre à "OFF", varier le contrôle de fréquence n'aura aucun effet.

- Mode d'Opération du Filtre canaux 1-2 et canaux 3-4 (APX490M seulement)
Le filtre électronique est activé en glissant le commutateur pour les Canaux 1-2 et 3-4, soit en position HP " High Pass filter " ou LP " Low Pass filter ". Les Canaux 1-2 sont ajustables de 55-550Hz (via le Contrôle de Sélection de Fréquence). Les Canaux 3-4 sont complètement ajustables de 55-5500 Hz (via le Contrôle de Sélection de Fréquence et le Multiplicateur de Fréquences). Utilisez cette fonction en concordance avec les recommandations du fabricant de vos haut-parleurs.

clarion APX290M/APX490M Amplificateur de Puissance

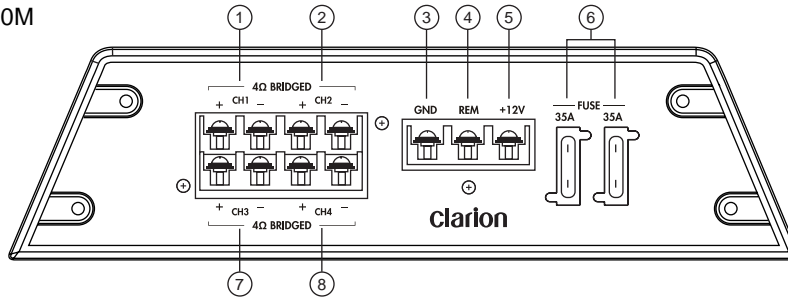
RACCORDEMENTS POUR LE COURANT ET HAUT-PARLEURS

Le panneau arrière du APX490M et le APX290M renferment les raccordements pour l'alimentation et les fils haut-parleur comme vu ci-dessous.

Fig. 2

APX490M

Français



- | | |
|--------------------------------|--------------------------------|
| 1. Sortie Haut-parleur Canal 1 | 5. Entrée +12V Pile |
| 2. Sortie Haut-parleur Canal 2 | 6. Fusible 2x 35 Ampères |
| 3. Entrée Mise à la Terre | 7. Sortie Haut-parleur Canal 3 |
| 4. Entrée Mise en Fonction | 8. Sortie Haut-parleur Canal 4 |

APX490M - Raccordements Électriques

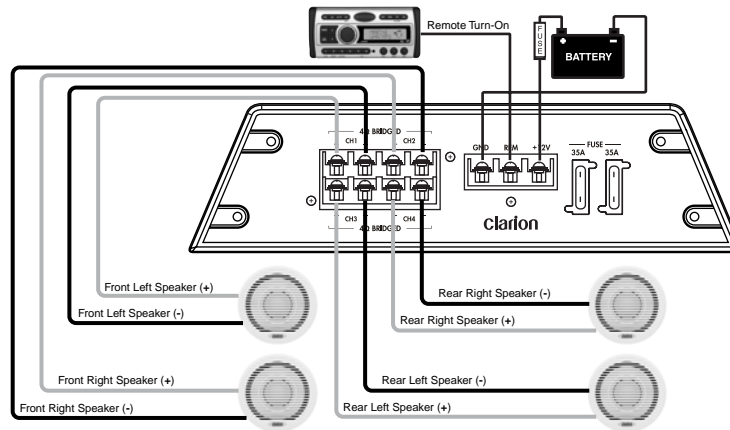
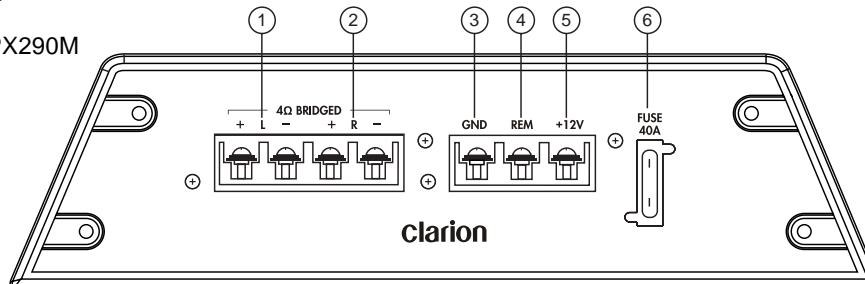


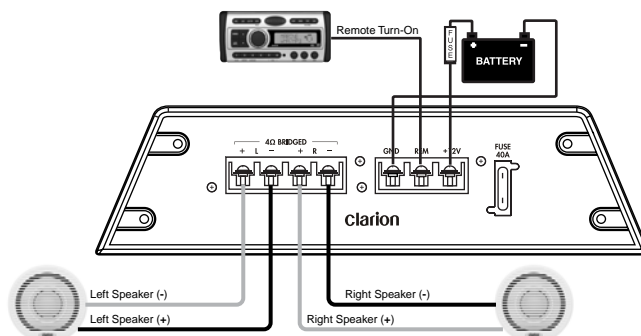
Fig. 3

APX290M



Manuel D'Operation/ Installation

APX290M - Raccordements Électriques



INSTALLATION

Cette section suggère des précautions pour le filage et le montage de l'amplificateur APX490M et/ou APX290M de Clarion. Si vous ne possédez pas l'expertise ou les outils nécessaires pour accomplir cette installation, n'essayez pas de l'installer. À la place, contacter le marchand Clarion de votre région pour qu'il puisse l'installer pour vous.

PRÉCAUTIONS DE MONTAGE

Avant d'installer l'amplificateur, assurez-vous que l'emplacement est sécuritaire. Sinon, il pourrait en résulter de sérieux dommages à l'embarcation. En plus, une quincaillerie en acier inoxydable devrait être utilisée pour installer l'amplificateur et accessoire additionnels. Lorsque possible, utilisez un écrou avec noix et barrure pour bien amarrer l'amplificateur. Une attention plus élaborée est recommandée lors d'une installation marine du à l'incertitude des conditions de l'eau.

Précautions et suggestions additionnelles:

1. Choisissez un endroit dans l'embarcation qui offre une ventilation adéquate alentour de l'amplificateur. Même si n'importe quel mouvement d'air dissipe la chaleur, l'air frais devrait circuler le long des événements et non d'un à l'autre. Pour améliorer la circulation d'air, un ventilateur peut être installé.
2. Fixer l'amplificateur sur une surface rigide à l'écart du caisson d'extrêmes graves ou de toutes autres régions susceptibles d'émettre des vibrations.
3. Assurez-vous que les trous que vous percerez ne transperceront pas le réservoir d'essence, conduit d'essence, filage électrique ou à travers la coque.
4. Ne pas installer l'amplificateur où il est susceptible d'être exposé à l'eau.

PRÉCAUTION DE FILAGE

Lisez bien les précautions de filage avant tout raccordement. Si vous n'êtes pas certain et/ou n'avez pas l'expertise ou les outils nécessaires, contacter le marchand Clarion de votre région pour vous assister.

1. Avant de commencer, assurez-vous que votre unité de source est hors tension.
2. Pour prévenir tout court-circuit pendant l'installation, débrancher la borne négative de la pile (ou des piles) avant de faire des raccordements de courant.
3. Assurez-vous que chaque raccordement est propre et solide. Isoler le bout de chaque raccordement avec du ruban électrique ou tube rétrécissant à la chaleur.

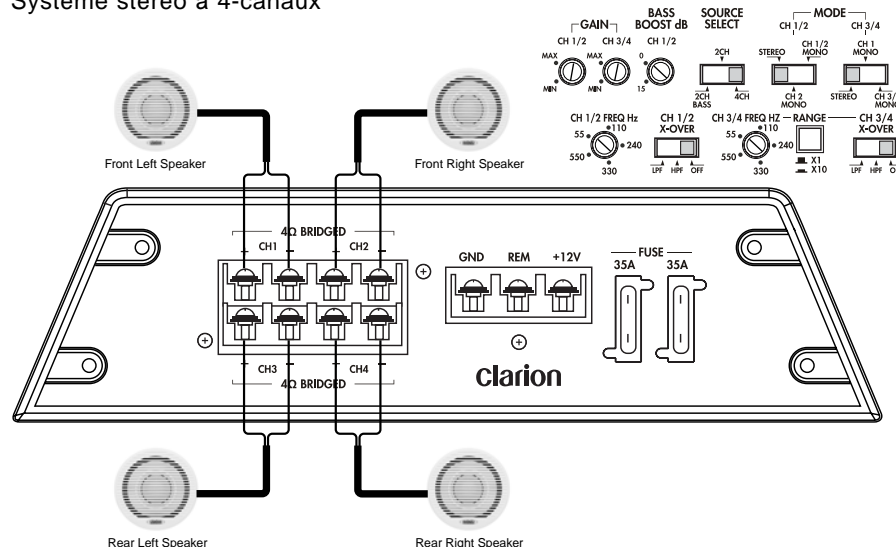
clarion APX290M/APX490M Amplificateur de Puissance

4. Une bonne mise à la terre est cruciale pour que l'amplificateur soit fonctionnel. Un fil de mise à la terre devrait être raccordé entre l'amplificateur et la pile. Utilisez un fil de calibre 10 ou plus pour relier la borne négative de l'amplificateur à la borne négative de la pile.
5. Ajouter un fusible externe au fil positif de l'amplificateur et l'installer le plus près possible de la borne positive de la pile. Utiliser un fusible d'une valeur égale à la consommation totale en courant de l'amplificateur. Utiliser un fil rouge de calibre 10 ou plus gros pour relier la borne positive (+) de l'amplificateur. Ne pas insérer le fusible tant que l'installation n'est pas complète.
6. Lorsque vous remplacez le fusible de l'amplificateur, toujours en utiliser un de même valeur. Substituer un fusible pour une valeur plus élevée ou de type à rupture lente peut occasionner de sérieux dommages à l'amplificateur.
7. Lorsque vous passez les fils de courant, RCA et haut-parleur à travers une ouverture, utilisez une rondelle en caoutchouc ou plastique pour protéger des contours coupants. Ceci protégera le fil d'être écorché et de causer un court-circuit.
8. Des câbles trop longs peuvent occasionner une perte de signal ainsi qu'agir comme antenne pour capter des parasites. N'utilisez que des câbles RCA de qualité et pas plus longs que nécessaire pour faire un raccordement direct entre l'unité de source et l'amplificateur.
9. Dans une configuration avec plusieurs amplificateurs, il est recommandé d'utiliser un relai sur le fil de mise en fonction qui provient de l'unité de source.

FILAGE ET APPLICATIONS APX490M

L'amplificateur marin 4 canaux APX490M de Clarion peut être utilisé dans une variété de configuration de système. Voici quelques exemples pour vous aider à planifier votre installation.

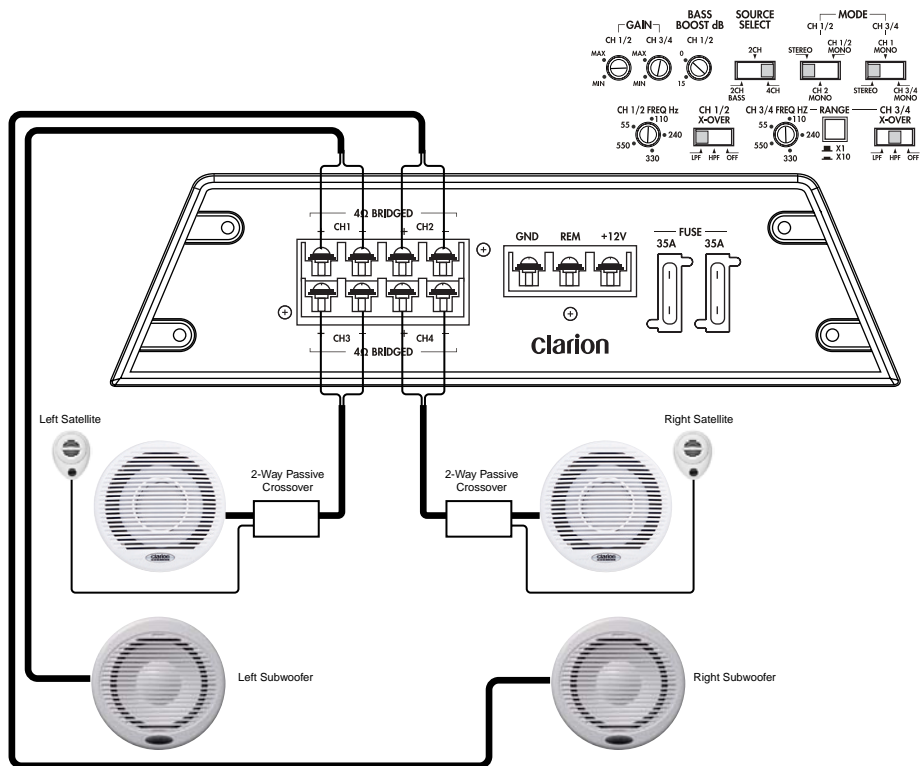
Fig. 4
Système stéréo à 4-canaux



Dans cette application, le APX490M est utilisé comme amplificateur 4 canaux pour pousser quatre haut-parleurs pleine gamme en stéréo.

Manuel D'Operation/ Installation

Fig. 5
 Système Stéréo 4 Canaux
 2 Canaux filtre passe-haut, 2 Canaux filtre passe-bas



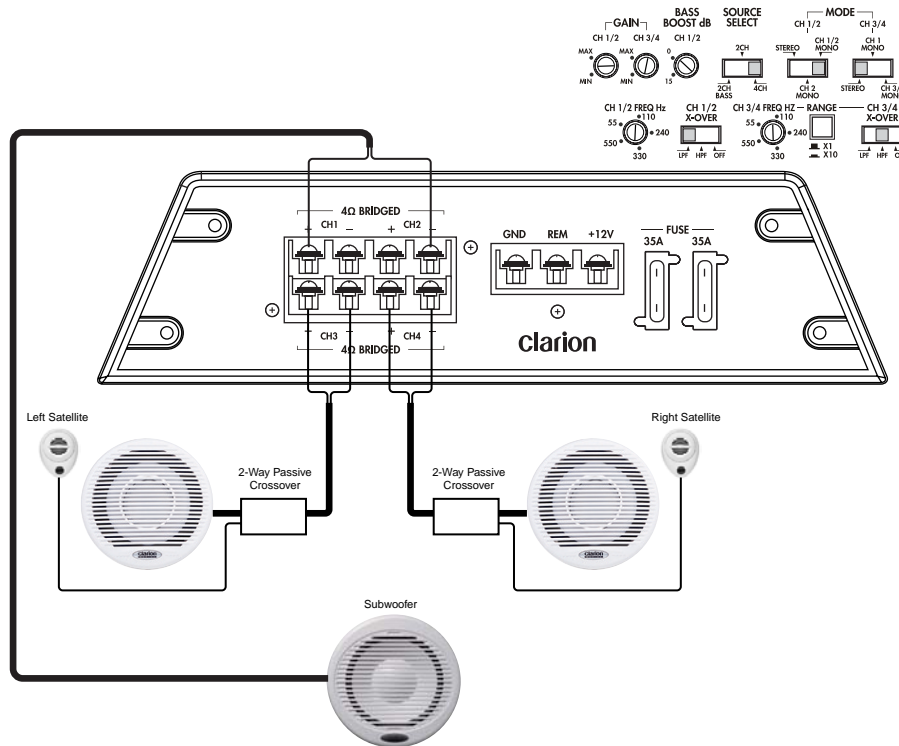
Français

Dans ce système 4 canaux, le APX490M pousse une paire de haut-parleurs satellites pour l'avant et une paire de haut-parleurs d'extrêmes-graves pour l'arrière. Prenez note des réglages des filtres.

clarion APX290M/APX490M Amplificateur de Puissance

Fig. 6
Système Stéréo à 2 Canaux avec canal passe-bas ponté mono.

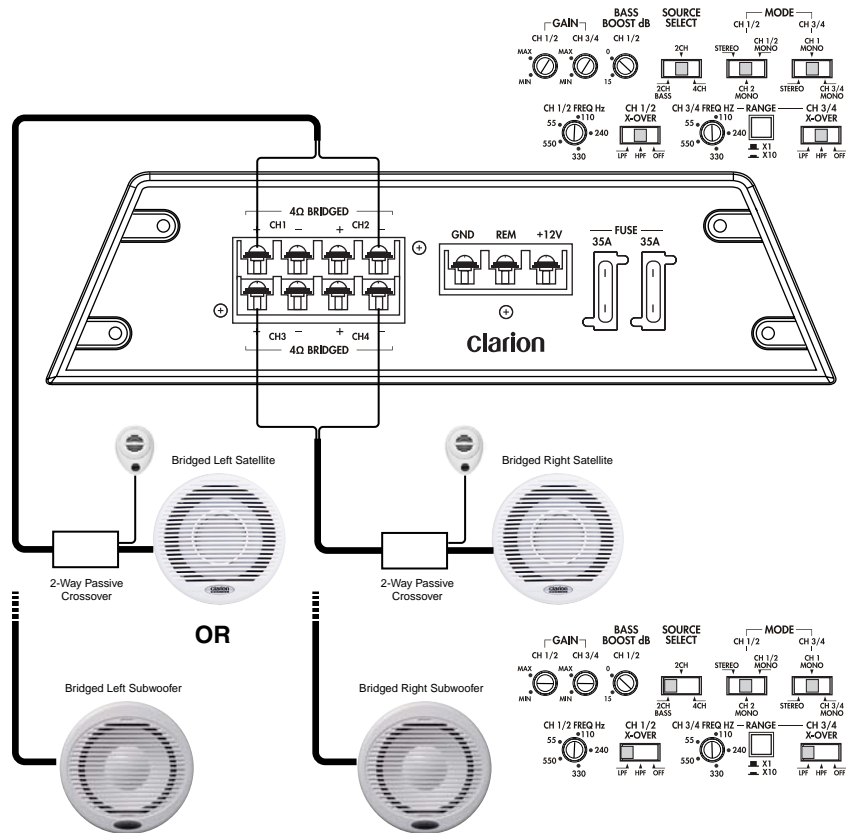
Français



Le APX490M peut aussi utilisé pour pousser une paire de haut-parleurs satellites pour l'avant et un haut-parleur d'extrêmes-graves pour l'arrière. Prenez note des réglages des filtres.

Manuel D'Operation/ Installation

Fig. 7
Système Stéréo 2 Canaux haute puissance (Satellite ou Extrêmes-graves)



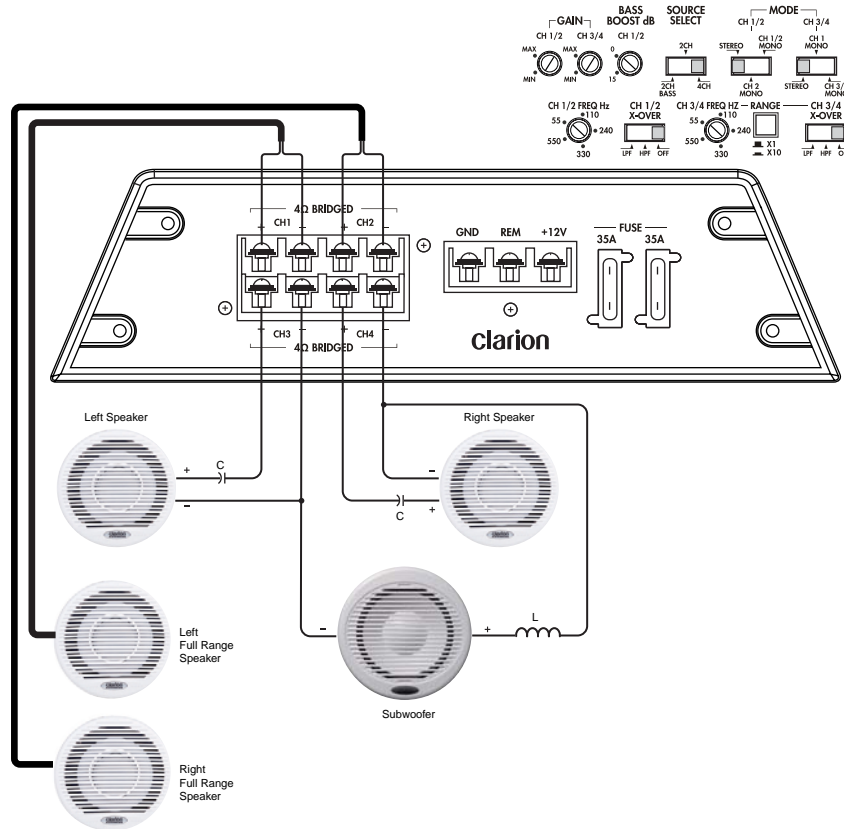
Français

Le APX490M peut être réglé comme un amplificateur 2 canaux de haute puissance pour pousser une paire de haut-parleurs satellites (ou d'extrêmes-graves).

clarion APX290M/APX490M Amplificateur de Puissance

Fig. 8
Système mode mixte en arrière; Haut-parleur plein game en avant

Français



FREQ (Hz)	L (mH)	C (uF)
80	8.0	497
100	6.4	398
125	5.1	318
150	4.2	265
200	3.2	199

NOTE: Les valeurs du tableau sont établies avec un haut-parleur de 4 Ohms

L'amplificateur peut-être configuré pour une utilisation mode mixte sur la section canal ou canal de l'amplificateur. Le tableau fournit les valeurs de composantes pour fabriquer un filtre avec 6dB par octave à des fréquences spécifiques. Utiliser des composantes qui ont des tolérances de +/- 5% et des condensateurs de 100V.

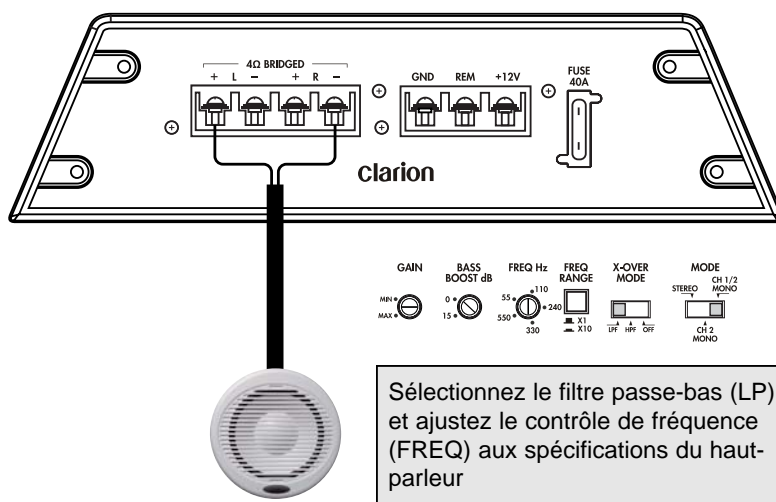
NOTE: Choisissez la même fréquence pour les filtres passe-haut et passe-bas. Ne pas faire chevaucher les fréquences, car cela pourrait endommager l'amplificateur.

Manuel D'Operation/ Installation

FILAGE ET APPLICATIONS APX290M

L'amplificateur marin 2 canaux APX290M de Clarion peut être utilisé dans une variété de configuration de système. Voici quelques exemples pour vous aider à planifier votre installation.

Fig. 9
Système ponté pour haut-parleur d'extrêmes-graves



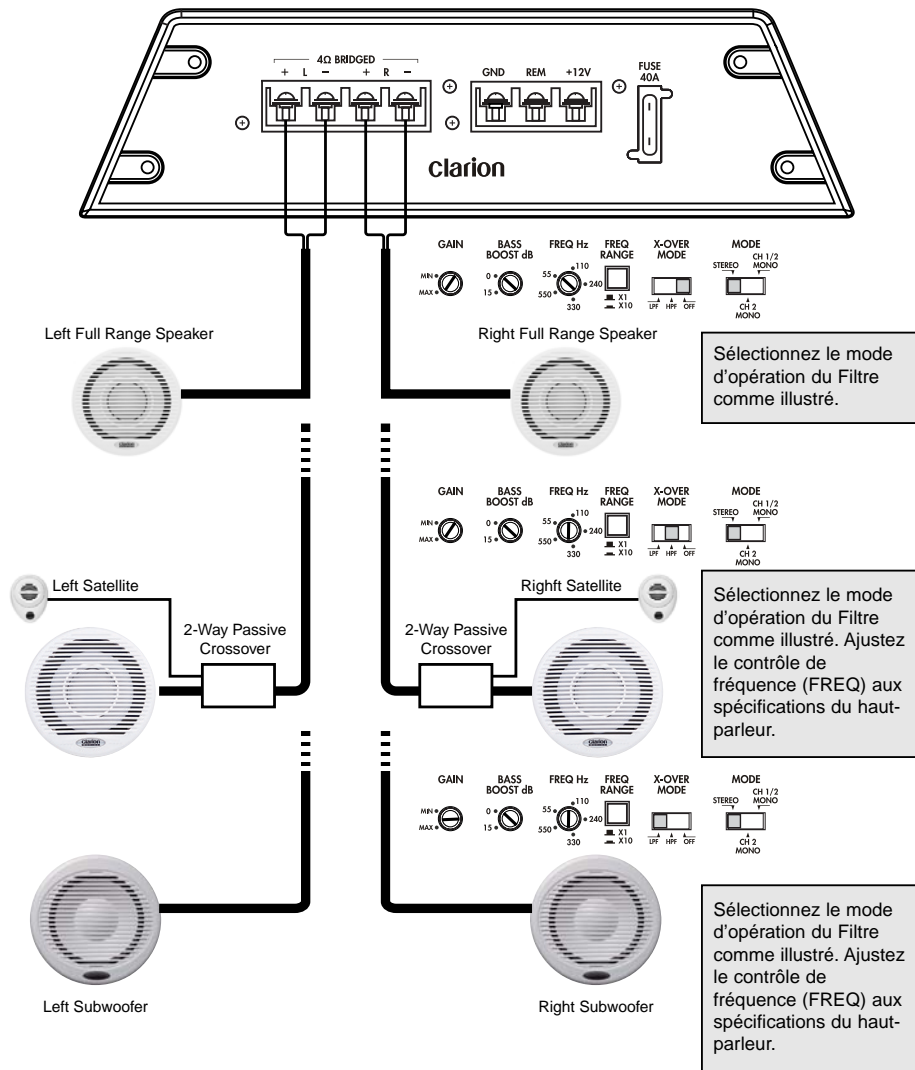
Français

Dans cette application, les sorties haut-parleur l'amplificateur son pontés pour une opération en mode mono pour alimenter un haut-parleur d'extrêmes-graves.

clarion APX290M/APX490M Amplificateur de Puissance

Fig. 10
Système à 2 canaux pour haut-parleur pleine gamme, satellite ou pour haut-parleur d'extrêmes-graves en mode stéréo.
Sélectionnez le Mode d'opération Stéréo.

Français

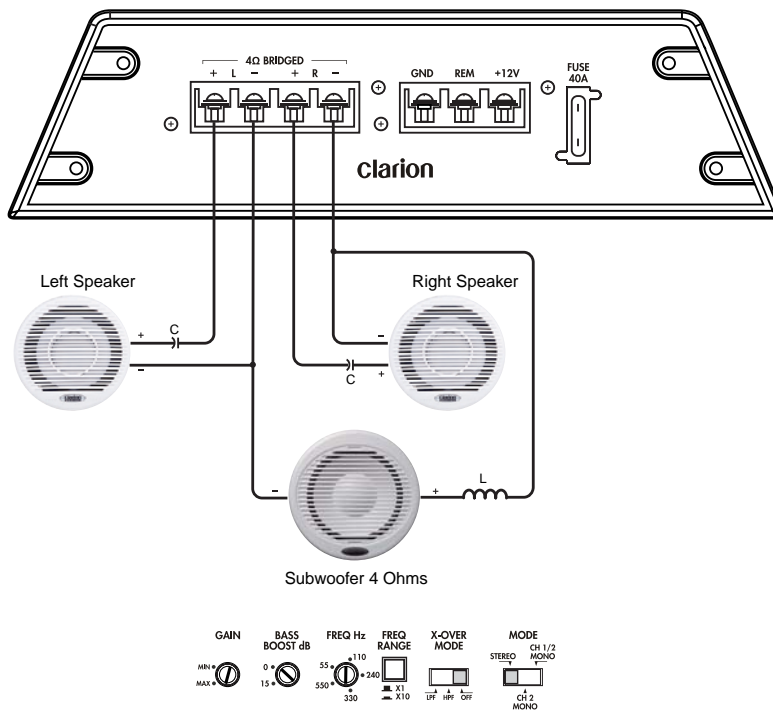


Dans cette application, les sorties haut-parleurs sont utilisées en mode stéréo pour alimenter deux haut-parleurs pleine gamme, 2 haut-parleurs satellites ou 2 haut-parleurs d'extrêmes-graves en stéréo.

NOTE: Un filtre passif doit être utilisé avec les haut-parleurs satellites.

Manuel D'Operation/ Installation

Fig. 11
 Système en mode mixe, 2 haut-parleurs pleine gamme et un haut-parleur d'extrêmes-graves.
 Sélectionnez le Mode d'opération Stéréo.



Français

FREQ (Hz)	L (mH)	C (μF)
80	8.0	497
100	6.4	398
125	5.1	318
150	4.2	265
200	3.2	199

NOTE: Les valeurs du tableau sont établies avec un haut-parleur de 4 Ohms

L'amplificateur peut-être configuré pour une utilisation mode mixe. Le tableau fournit les valeurs de composantes pour fabriquer un filtre avec 6dB par octave à des fréquences spécifiques. Utiliser des composantes qui ont des tolérances de +/- 5% et des condensateurs de 100V

NOTE: Choisissez la même fréquence pour les filtres passe-haut et passe-bas. Ne pas faire chevaucher les fréquences, car cela pourrait endommager l'amplificateur.

clarion APX290M/APX490M Amplificateur de Puissance

Réglages du gain

Une fois que l'installation est complétée, suivez ces étapes pour régler le gain et procédez à la vérification finale du système.

1. Tourner le contrôle de gain complètement dans le sens contraire des aiguilles d'une montre.
2. Mettez la clé de contact de l'embarcation en position "ON". Mettez l'unité de source en fonction. Réglez les contrôles d'égalisation à zéro (au milieu) et réglez le "loudness" à "off".
3. Faites jouer un CD ou cassette et régler le volume à 75% du niveau maximum.
NOTE: Si le système utilise un égalisateur, mettez les réglages à zéro (au milieu).
4. Augmenter lentement le niveau de gain. Arrêtez lorsque vous commencez à entendre de la distorsion.

Français

Réglages des filtres électroniques

L'APX490M de Clarion offre des filtres électroniques avant entièrement ajustables, et le APX490M offre des filtres électroniques avant et arrière entièrement ajustables. Pour régler ces derniers, suivez les étapes suivantes.

1. En ajustant le commutateur de mode X-Over, sélectionner LP (passe-bas) ou HP (passe-haut ou OFF pour laisser passer un signal pleine gamme.
2. En utilisant le contrôle de fréquence (Hz), régler la fréquence. Si la fréquence désirée excède le champ de contrôle de fréquence (Hz), appuyez sur le commutateur de multiplication de fréquence pour augmenter la valeur par un facteur de 10.
 - Par exemple, 55Hz x 10 = 550Hz ou 550Hz x 10 = 5.5kHz
3. Répéter l'étape 1 et 2 pour les filtres avant et arrière.

Réglage de l'Accentuation u rehausseur des basses

1. Régler initialement le contrôle de rehausseur de basses le plus à gauche (i.e. 0dB).
2. Faites l'écoute d'une variété différente de style de musique (par exemple, rock, rap, etc.) et augmentez lentement le contrôle de volume du rehausseur de basses jusqu'à ce que vous entendiez une augmentation dans les basses fréquences.
3. Ajuster lentement le contrôle (vers le haut ou bas) de manière à obtenir la meilleure réponse.

MISE EN GARDE: Si vous entendez un pop causé par un excès de ballotement du haut-parleur, abaissez le niveau du rehausseur de basses pour prévenir des dommages au haut-parleur.

Manuel D'Operation/ Installation

VÉRIFICATION FINALE DU SYSTÈME

1. Démarrer le moteur et mettre en fonction l'unité de source. Après un délai de 2 secondes, augmenter lentement le volume et écouter le son. Si vous entendez n'importe quel bruit, parasite, distorsion ou aucun son, vérifiez vos raccordements et référez-vous au guide de dépannage. Dépendamment de votre système, le volume peut devenir très fort même à un bas niveau. En attendant d'atteindre un niveau de puissance confortable, procéder avec soins en ajustant les contrôles.
2. Ajuster le contrôle de balance à ses positions extrêmes et écouter le résultat. La sortie audio devrait concorder avec les réglages (son dans le haut-parleur gauche lorsque la balance est à gauche).
3. Augmenter le volume et vérifier que l'amplificateur reproduit l'audio sur toutes les fréquences et sans distorsion. Si vous entendez de la distorsion, vérifiez les raccordements et que le réglage du gain soit bien ajusté. Une autre cause de distorsion peut provenir d'une sous-alimentation de courant ou de haut-parleurs endommagés. Encore une fois, référez-vous au guide de dépannage pour assistance.

Français

GUIDE DE DÉPANNAGE

Problème

Aucun son

Solution

Voltage insuffisant ou trop faible sur la mise en fonction: vérifiez le raccordement entre l'amplificateur et l'unité de source.

Fusible brûlé sur l'amplificateur : remplacez avec un nouveau fusible (de même puissance).

Les fils de courant ne sont pas raccordés : vérifiez les fils positif et négatif sur l'amplificateur et les connexions sur la pile.

Il y a un court-circuit sur les fils haut-parleur : vérifiez la continuité à la mise à la terre sur les haut-parleurs; il ne devrait pas y avoir de mise à la masse commune.

Les haut-parleurs ne sont pas raccordés ou sont défectueux : vérifiez les raccordements des haut-parleurs à l'amplificateur; vérifiez l'impédance des haut-parleurs.

Problème

Cycles audio intermittents, en fonction - en arrêt

Solution

Les circuits de protection thermique empêchent l'amplificateur de fonctionner en tout temps. Vérifiez l'emplacement de l'installation pour une ventilation adéquate. Consultez un marchand autorisé Clarion.

clarion APX290M/APX490M Amplificateur de Puissance

Français

Problème

Son distorsionné

Solution

Le réglage de gain mal ajusté ou haut-parleurs endommagés. Vérifier les réglages des niveaux des gains. Inspectez le cône de chaque haut-parleur pour des signes de dommages, tel qu'un cône saisi ou une odeur de brûlé, etc.

Problème

Sonorité peu dynamique.

Solution

Les haut-parleurs sont hors phase, dont le résultat est l'annulation des basses fréquences. Vérifier la polarité des fils qui raccordent l'amplificateur aux haut-parleurs. Voir le diagramme du système d'installation.

Problème

Le fusible de l'amplificateur n'arrête pas de sauter.

Solution

Le filage est mal branché ou il y a un court-circuit. Refaire la lecture des précautions d'installation et du diagramme d'installation dans ce manuel et vérifier toutes les connexions.

Problème

Bruit de moteur ou parasite lorsque le moteur est en marche.

Solution

L'amplificateur capte des parasites de l'alternateur ou émit par une autre source. Abaissez le niveau de gain. Déplacer les câbles audio plus à l'écart des fils de courant. Vérifiez les fils de courant sur l'amplificateur et installez un suppresseur de bruit en ligne avec le courant de l'unité de source. Vérifiez l'alternateur ou le régulateur de voltage. Faites un test pour détecter une pile faible ou qui manque d'eau.

SPÉCIFICATIONS DU PRODUIT

MODÈLE	APX490M	APX290M
Réponse en fréquence	20Hz ~ 20kHz	20Hz ~ 20kHz
Rapport signal/bruit	>97db	>95db
THD	.10% all channels driven	.10% all channels driven
Sensibilité niveau entré signal bas	200mV ~ 6.0V	200mV ~ 6.0V
Sensibilité niveau entré haut-parleur	500mV ~ 13V	500mV ~ 13V
Puissance de sortie maximale (RMS)	720W (180 x4)	360W (180 x2)
Puissance continue	360W (90W x4) @.10% THD	180W (90W x2) @.10% THD
Puissance à 2 Ohms	165W x 4 @ .10% THD	150W x 2 @ .10% THD
Puissance ponté	330W x 2 @ .10% THD	250W x 1 @ .10% THD
Dimensions	2-1/8" H x 8-3/4" W x 16-1/8" L	2-1/4" H x 9-1/8" W x 10-1/2" L
Consommation de courant à puissance maximale	58A @ 720 Watts	29A @ 382 Watts

Manuel D'Operation/ Installation

GARANTIE LIMITÉE CLARION

Pour le Canada et les États-Unis seulement

Ce produit Clarion vendu par marchand autorisé Clarion est garanti contre tous défauts de matériel et de mise en œuvre pour une durée de **un (1) an** à compter de la date de vente initiale quand l'achat **ET** l'installation ont été effectués chez un marchand autorisé Clarion.

Tous câblages, fils et autres accessoires Clarion achetés chez un marchand autorisé Clarion, sont garantis contre tous défauts de matériel et de mise en œuvre pour une durée de quatre-vingt-dix (90) jours de la date d'achat initiale.

TOUT ACHAT DE PRODUITS CLARION EFFECTUÉ CHEZ UN MARCHAND NON-AUTORISÉ CLARION SERA SOUMIS À DES RESTRICTIONS DE GARANTIES DÉCRI CI-DESSOUS.

Les conditions de cette garantie limitée et l'implication de la responsabilité de Clarion Corporation of America "Clarion" sous cette garantie limitée sont les suivantes:

1. **DANS LE CAS DE LA GARANTIE LIMITÉE DE UN (1) AN, UNE PREUVE D'ACHAT ET UNE PREUVE D'INSTALLATION SONT REQUISES. DES INFORMATIONS SUPPLÉMENTAIRES CONCERNANT LES CENTRES DES SERVICES AUTORISÉS PAR CLARION PEUVENT ÊTRE OBTENUES AUX ADRESSES À LA FIN DE CE DOCUMENT.**
2. Cette Garantie Limitée sera annulée si un dommage est survenu au bien lors d'un service effectué par personne ou entreprise qui n'est pas accrédité comme un Centre de Service et Garantie Clarion.
3. Cette Garantie Limitée n'est pas applicable à un aucun produit sujet à l'abus, négligence, accidentés, installation ou utilisation incorrects ou que les numéros de série ont été modifiés, obstrués ou effacés, ou qui a été raccordés, installés, ajustés ou réparés autrement indiqué par Clarion.
4. Cette Garantie Limitée ne couvre pas des interférences électrostatiques, électriques, ni les ajustements ou nettoyage de la tête de lecture (en cas de radio cassette) ou éléments laser, ni les frais reliés à la manutention pour le retrait ou la réinstallation
5. La responsabilité de Clarion sous cette Garantie Limitée est limitée uniquement à la réparation ou au remplacement du produit, qui est sujet uniquement à la discrétion de Clarion.
6. Ce produit doit être livré dans son emballage d'origine ou équivalent. Le colis doit être entièrement assuré et tous frais de transport doivent être prépayés. Clarion n'assumera aucune responsabilité en cas de perte ou dommages survenue lors du transport.
7. **TOUS PRODUITS CLARION ACQUIS PAR UNE ENTREMISE AUTRE QU'UN MARCHAND AUTORISÉ PAR CLARION, INCLUANT TOUS ACHATS VIA UN MARCHAND VIRTUEL (ACHAT INTERNET) QUI N'EST PAS AUTORISÉ PAR CLARION, NE SONT PAS COUVERTS PAR LES GARANTIES LIMITÉES DE CLARION, ET CE, EN ACCORD AVEC LES LIMITATIONS DÉFINIES PAR LA LOI. DANS LE CAS OÙ LES LOIS APPLICABLES NE PERMETTENT PAS L'ÉLIMINATION DES GARANTIES SOUS CES CONDITIONS, LA PÉRIODE DE GARANTIE LIMITÉE QUI S'APPLIQUE AU PRODUIT SERA DE QUINZE (15) JOURS À PARTIR DE LA DATE D'ACHAT INITIALE.**
8. **AUCUNE GARANTIE IMPLICITE NE POURRA S'ÉTENDRE AU-DELÀ DE LA PÉRIODE DE GARANTIE DÉCRITE CI-DESSUS, ET CE, EN ACCORD AVEC LES LIMITES DÉFINIES PAR LA LOI. CLARION NE POURRA EN AUCUN CAS ÊTRE TENUE RESPONSABLE DES PERMETS OU DOMMAGES DIRECTS OU INDIRECTS DU À L'UTILISATION OU L'IMPOSSIBILITÉ D'UTILISATION DU PRODUIT. PUISQUE CERTAINS ÉTATS NE PERMETTENT PAS DE LIMITER LA DURÉE DES GARANTIES IMPLICITES, OU DE LIMITER LA RESPONSABILITÉ EN CAS DE DOMMAGES DIRECTS OU INDIRECTS, CES LIMITATIONS OU EXCLUSIONS PEUVENT NE PAS S'APPLIQUER À VOUS.**
9. **CETTE GARANTIE LIMITÉE VOUS DONNE DES DROITS LÉGAUX PRÉCIS. VOUS POUVEZ POSSÉDER DES DROITS SUPPLÉMENTAIRES SELON VOTRE LIEU DE RÉSIDENCE.**
10. Les lois de l'état de la Californie contrôlent totalement cette garantie limitée, son interprétation et sa mise en exécution.
11. Si vous éprouvez des problèmes de performance du produit pendant la période de garantie, veuillez communiquer avec Clarion ou visitez notre site Web à l'adresse ci-dessous afin d'obtenir une résolution de tout problème relié aux produits Clarion.

Aux États-Unis:
Clarion Corporation of America
Attn:Customer Service Manager
6200 Gateway Drive Cypress, CA 90630
1-800-GO-CLARION
www.clarion.com

Au In Canada:
Clarion Canada Inc.
Centre de Service et Garantie
2239 Winston Park Drive Oakville,
Ontario L6H 5R1 (905)829-4600
www.clarion.com

Français

clarion Amplificador de Sistema de Potencia APX290M/APX490M

INTRODUCCIÓN

El amplificador Clarion APX290M es un amplificador de dos canales con características completas que incorpora las siguientes funciones:

- Tableros de circuitos especialmente recubiertos que resisten el daño causado por el moho y la humedad.
- Fuente de alimentación MOSFET con Modulación de Ancho de Pulso (PWM) para un rendimiento máximo con una distorsión mínima.
- Encendido remoto con supresión de sonido de “arranque suave” para evitar el “ruido sordo” al encender.
- Divisor de frecuencias electrónico pasa-altos/pasa-bajos variable con una pendiente de 12 dB por octava (rango ajustable: 55 Hz a 5.5 kHz).
- Circuito de incremento de bajos variable para reforzar las señales de frecuencias que pudieran haberse perdido debido al diseño de la cubierta del subwoofer.
- Controles de nivel de entrada ajustables con aislamiento del circuito de tierra para minimizar el ruido y la distorsión.
- Estable a 2 ohms, estable a 4 ohms.
- Conectores de alimentación, altavoces y RCA con recubrimiento de oro.
- Entrada de nivel de altavoz.
- Construcción con perfil bajo con disipador de calor de aluminio para una disipación de calor eficiente.

El amplificador Clarion APX490M es un amplificador de cuatro canales con características completas que añade la siguiente característica:

- Circuitos con diseño avanzado con capacidad de operación puenteable y en modo mixto para uso en diversas configuraciones de sistema incluyendo sistemas de 4, 3 ó 2 canales.

ACERCA DEL MANUAL Y LA GARANTÍA

Este manual describe los requisitos básicos para instalar los amplificadores Clarion APX290M y APX490M. La instalación de este amplificador puede ser muy compleja, si no posee el conocimiento necesario y las herramientas para realizar esta instalación, por favor comuníquese con su distribuidor de Audio Marino de Clarion local. Conserve las instrucciones y el recibo de compra para referencia futura e información de la garantía.

La información sobre la garantía puede encontrarse en la página 18 de este manual.

TABLA DE CONTENIDO

Descripción	
Conexiones de entrada y Controles de Audio	
Conexiones de Alimentación y Altavoces	
Instalación	
Precauciones de Montaje	
Precauciones de Cableado	
Cableado y Aplicaciones del Modelo APX490M	
Cableado y Aplicaciones del Modelo APX290M	
Ajuste de la Ganancia	
Ajuste del Divisor de Frecuencias	
Ajuste del Incremento de Bajos del Subwoofer	
Comprobación Final del Sistema	
Solución de Problemas	
Especificaciones del Producto	
Garantía Limitada de Clarion	

Manual de Operación/Instalación

DESCRIPCIÓN

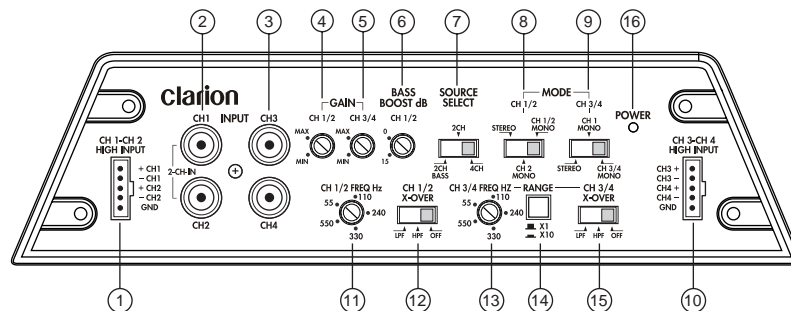
Los modelos APX290M y APX490M usan una fuente de alimentación MOSFET no regulada para un sonido y wattaje de salida superiores. Además, se utiliza una bobina toroide para la transferencia de energía con una pérdida mínima de rendimiento debido al calor. Para evitar ruido no deseado, un tablero conforme de circuitos impresos de dos lados, con los componentes situados estratégicamente, mantiene la RFI de AM controlada.

Todas las conexiones y controles para los modelos APX290M y APX490M están ubicados convenientemente en los extremos del amplificador y etiquetados apropiadamente. Para asegurar las mejores conexiones eléctricas posibles, las entradas de alimentación, altavoces y RCA tienen un recubrimiento de oro. Un beneficio adicional del modelo APX490M es la capacidad de crear un sistema amplificado de 2, 3 ó 4 canales con sólo mover un interruptor (ver la sección de Aplicación). En el caso de una falla o cortocircuito de un componente, los modelos APX290M y APX490M incorporan protecciones y fusibles ATC fuera del tablero para evitar daño al amplificador.

CONEXIONES DE ENTRADA Y CONTROLES DE AUDIO

El panel frontal de ambos modelos APX490M y APX290M contiene conexiones para entradas RCA y de nivel de altavoz, junto con los controles de audio como se muestra a continuación.

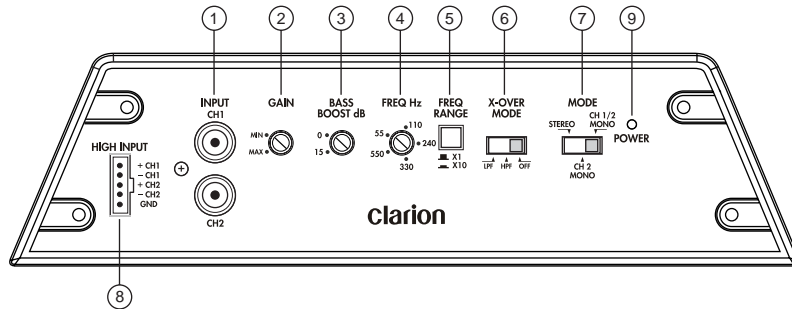
Fig. 1
APX490M



- | | |
|--------------------------------------|--|
| 1. Entrada Altos CAN. 1/CAN. 2 | 10. Entrada Altos CAN. 3/4 |
| 2. Entrada RCA CAN. 1/2 | 11. Control de Frecuencia CAN. 1/2 |
| 3. Entrada RCA CAN. 3/4 | 12. Interruptor de Modo de Divisor de Frecuencias CAN. 1/2 |
| 4. Control de Ganancia CAN. 1/CAN. 2 | 13. Control de Frecuencia CAN. 3/4 |
| 5. Control de Ganancia CAN. 3/4 | 14. Multiplicador del Rango de Frecuencia |
| 6. Incremento de Bajos | 15. Interruptor de Modo de Divisor de Frecuencias CAN. 3/4 |
| 7. Selección de Fuente | 16. Luz Indicadora de Alimentación |
| 8. Interruptor de Modo CAN. 1/2 | |
| 9. Interruptor de Modo CAN. 3/4 | |

clarion Amplificador de Sistema de Potencia APX290M/APX490M

APX290M



Español

- | | |
|--|---|
| 1. Entrada RCA CAN. 1/CAN. 2 | 6. Modo del Divisor de Frecuencias |
| 2. Control de Ganancia | 7. Interruptor Selector de Modo de Salida |
| 3. Incremento de Bajos | 8. Entrada de Altos |
| 4. Frecuencia CAN.1/CAN.2 (Hz) | 9. Luz Indicadora de Alimentación |
| 5. Multiplicador del Rango de Frecuencia | |

Las conexiones RCA tienen recubrimiento de oro para un rendimiento óptimo y baja pérdida de señal. Los conectores RCA están etiquetados CAN. 1 (delantero izquierdo), CAN. 2 (delantero derecho) [para APX490M: CAN. 3 (trasero izquierdo), y CAN. 4 (trasero derecho)]. En aplicaciones donde las señales de RCA no estén presentes, puede utilizarse la salida de nivel del altavoz desde la unidad central. (Use una u otra entrada, no ambas.)

- **Controles de ganancia:** Para el APX490M, los controles de ganancia por separado para CAN. 1/2 y CAN. 3/4 le permiten ajustar el nivel de operación nominal del amplificador. El rango de entrada del amplificador, 200 mV a 6.0 V para las entradas RCA y 500 mV a 13 V para las entradas de nivel del altavoz, pueden ajustarse a niveles de entrada de prácticamente cualquier unidad central.
- **Incremento de Bajos:** El amplificador cuenta con un circuito de Incremento de Bajos "High-Q" (es decir, de banda de frecuencia estrecha). Actúa de manera muy similar a un ecualizador con una ganancia ajustable de 0 a +15 dB fija a 45 Hz. Use esta característica para ajustar la respuesta de audio de baja frecuencia para compensar un diseño de cubierta de subwoofer inferior al ideal. Los bajos añadidos producen tonos de bajos llenos y ricos que normalmente son difíciles de reproducir en el ambiente de audio marino. **NOTA:** El ajuste de Incremento de Bajos debe utilizarse únicamente para aplicaciones de subwoofer.
- **Selección de Fuente (solo APX490M)**
BAJOS DE 2 CAN.: Usa las entradas CAN. 1/2 y tiene salida de todos los 4 canales con Incremento de Bajos.
2 CH: Usa las entradas CAN. 1/2 y tiene salida de todos los 4 canales. El Incremento de Bajos funcionará sólo con el CAN. 1/2 y no tendrá efecto en el CAN. 3/4.
4 CH: Usa todas las 4 entradas y tiene salida de todos los 4 canales. El Incremento de Bajos funcionará sólo con el CAN. 1/2 y no tendrá efecto en el CAN. 3/4.

Manual de Operación/Instalación

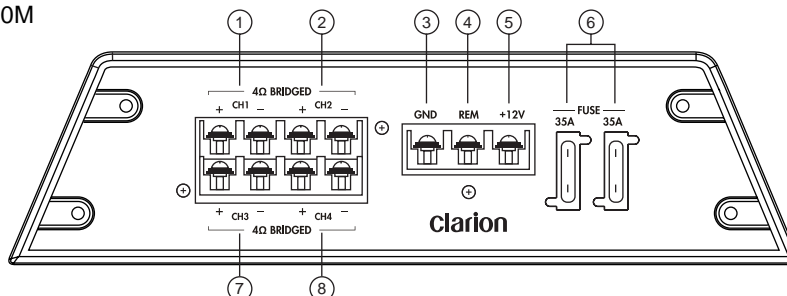
- Interruptor Selector de Modo de Salida: CAN. 1/2 y CAN. 3/4 (sólo APX490M)
ESTÉREO: Operación estéreo completa izquierda y derecha. CAN. 1 Mono / CAN. 2
Mono: Entrada de canal sencilla para operación puenteada. Esta es especialmente útil en sistemas de alta potencia. (Usa las entradas CAN. 2 y CAN. 4.)
CAN. 1/2 Mono / CAN. 3/4 Mono: Permite que una entrada estéreo se integre en una salida mono.
- **FREC. CAN. 1/2 / FREC. CAN. 3/4** (sólo APX490M) Las frecuencias del divisor de frecuencias del CAN. 1/2 son ajustables de 55 Hz a 550 Hz. Mientras que las frecuencias del divisor de frecuencias del CAN. 3/4 son ajustables desde 55 Hz a 5500 Hz (mediante el Multiplicador de Rango de Frecuencia) para un rango más amplio de puntos de división de frecuencias. Use esta característica junto con las frecuencias del divisor de frecuencias recomendadas por el fabricante del altavoz para diseñar rápidamente un sistema más avanzado.
NOTA: Si cualquiera de los Interruptores de Modo del Divisor de Frecuencias está ajustado en APAGADO, la variación del control de frecuencia no tendrá efecto. • CH •
Filtro CAN. 1/2 / Filtro CAN. 3/4 (sólo APX490M) Se active un filtro deslizando el interruptor CH 1/2 y CH 3/4 a HP = Pasa-altos ó LP = Pasa-bajos. CAN. 1/2 es totalmente ajustable de 55-550Hz (mediante Frec. CAN. 1/2) y CAN. 3/4 es totalmente ajustable de 55-5500Hz (mediante Frec. CAN. 3/4 y el Multiplicador de Rango de Frecuencia). Use esta característica junto con las frecuencias del divisor de frecuencias recomendadas por el fabricante del altavoz para diseñar un sistema más avanzado.

Español

CONEXIONES PARA ALIMENTACIÓN Y ALTAVOCES

El panel trasero de los modelos APX490M y APX290M contiene las conexiones de alimentación y altavoces, como se muestra a continuación.

Fig. 2
APX490M



- | | |
|-----------------------------|------------------------------|
| 1. Salida de Altavoz CAN. 1 | 5. Entrada de batería +12 V |
| 2. Salida de Altavoz CAN. 2 | 6. Fusible de 2 - 35 Amperes |
| 3. Tierra | 7. Salida de Altavoz CAN. 3 |
| 4. Encendido Remoto | 8. Salida de Altavoz CAN. 4 |

clarion Amplificador de Sistema de Potencia APX290M/APX490M

APX490M - Conexión Eléctrica

Español

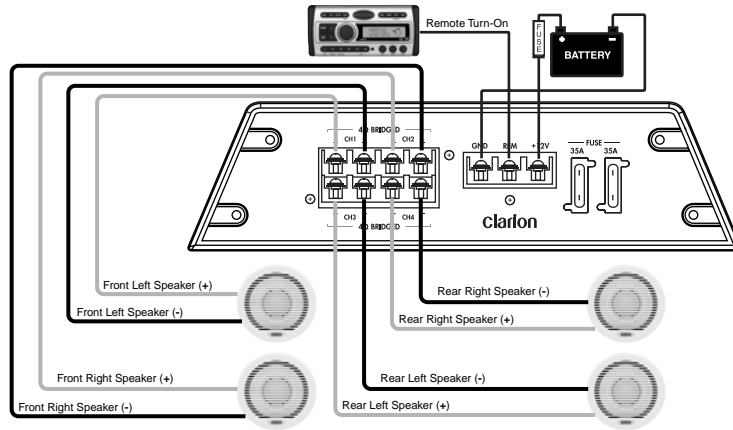
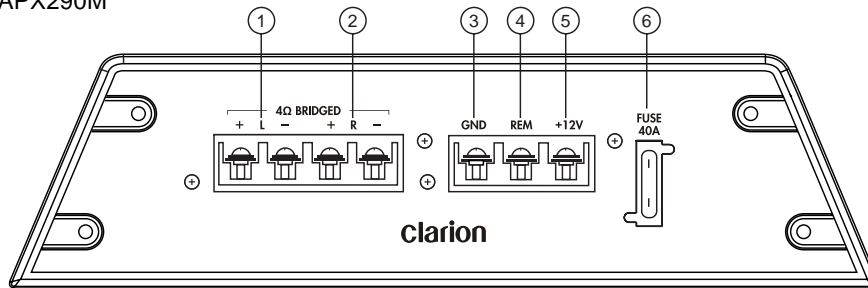
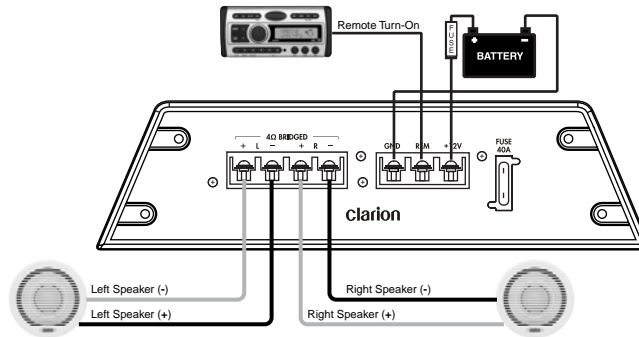


Fig. 3
APX290M



- | | |
|--------------------------|-----------------------------|
| 4. Encendido Remoto | 1. Salida de Altavoz CAN. 1 |
| 5. Batería | 2. Salida de Altavoz CAN. 2 |
| 6. Fusible de 40 Amperes | 3. Tierra |

APX290M - Conexión Eléctrica



Manual de Operación/Instalación

INSTALACIÓN

Esta sección sugiere Precauciones de Montaje y Cableado para la instalación de los amplificadores Clarion APX290M y/o APX490M. Si no posee las herramientas necesarias y experiencia en la instalación, no intente instalar estos amplificadores. En lugar de ello, comuníquese con su distribuidor de Audio Marino de Clarion para realizar la instalación.

PRECAUCIONES DE MONTAJE

Antes de montar el amplificador, asegúrese de que es seguro montar el amplificador en esa ubicación. De lo contrario, puede tener como resultado daños graves al bote. Además, deberá utilizarse material de acero inoxidable para montar el amplificador y los accesorios adicionales. Cuando sea posible, use una tuerca y un perno con una rondana para asegurar el amplificador. Es necesario tener cuidado y atención adicionales en las instalaciones marinas, debido a la incertidumbre de las condiciones del agua.

Precauciones y sugerencias adicionales:

1. Para un enfriamiento más eficiente, monte el amplificador de modo que el aire frío corra a lo largo de la longitud del disipador de calor, en lugar de a través de la misma. Para aumentar el movimiento y la circulación del aire, puede instalarse un ventilador de enfriamiento.
2. Monte el amplificador sobre una superficie rígida; evite montarlo en las cubiertas de los subwoofers o en áreas propensas a la vibración.
3. Antes de perforar los orificios, asegúrese de que los orificios de montaje propuestos no cortarán el tanque de combustible, líneas de combustible, cableado eléctrico o a través del bote.
4. No monte el amplificador donde sea susceptible al agua.

PRECAUCIONES DE CABLEADO

Lea todas las precauciones de cableado antes de hacer cualquier conexión. Si no está seguro y/o no tiene el material necesario para la instalación, comuníquese con su distribuidor de Audio Marino de Clarion para realizar la instalación.

1. Antes de comenzar la instalación, asegúrese de que el interruptor de alimentación de la unidad fuente se encuentra en la posición de APAGADO.
2. Desconecte la terminal negativa (-) de la batería (o baterías) antes de hacer cualquier conexión de energía.
3. Al hacer conexiones, asegúrese de que cada una de las conexiones está limpia y es segura. Aísle las conexiones finales con cinta aislante o tubería termocontráctil. De lo contrario, puede dañar su equipo.
4. Una buena conexión a tierra es crucial para el rendimiento del amplificador. Un cable de conexión a tierra debe correr directamente desde la batería hasta el amplificador. Use cable negro aislado de calibre 10 o mayor para la terminal de tierra (-) de alimentación del amplificador.
5. Añada un portafusibles adicional en la terminal positiva (+) de la batería. La capacidad nominal del fusible debe igualar el consumo de corriente total del (de los) amplificador(es) a salida completa. Use cable negro aislado de calibre 10 o mayor para la terminal positiva (+) de alimentación del amplificador. No instale el fusible hasta que la instalación se haya realizado en su totalidad.
6. Al reemplazar el fusible del amplificador, siempre utilice uno que tenga el mismo amperaje nominal. Sustituirlo con un fusible de mayor capacidad nominal o un fusible lento puede tener como resultado daños graves al amplificador.

clarion Amplificador de Sistema de Potencia APX290M/APX490M

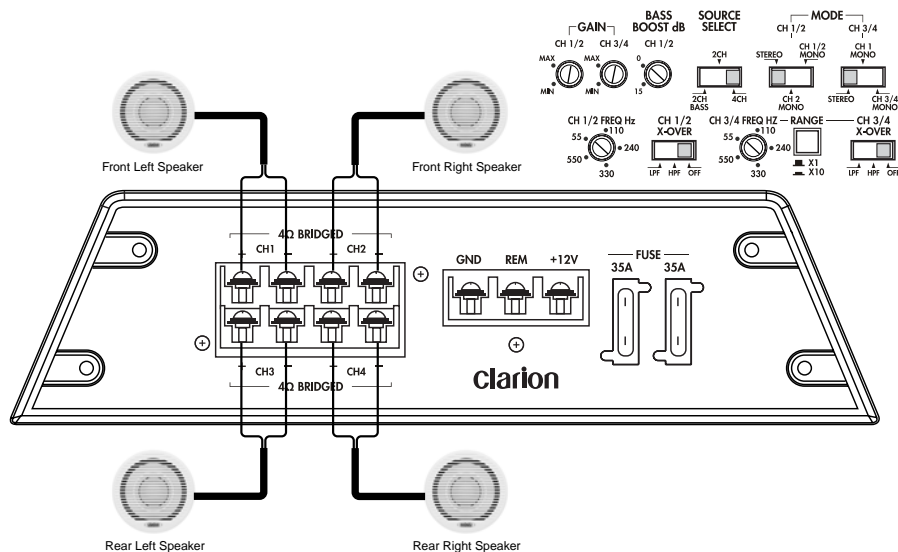
7. Al crear orificios de paso para los cables de energía, cables de RCA y cables de altavoces, use un pasacable para eliminar cualquier borde afilado creado durante la perforación. Esto protegerá al cable de un corte y ocasionar un cortocircuito.
8. Un cable extra puede ocasionar una pérdida de señal y actuar como una "antena" para el ruido. Use sólo cables RCA de alta calidad que no tengan un tamaño mayor al necesario.
9. En sistemas de varios amplificadores, se recomienda utilizar un relé en la terminal de encendido remoto de la radio.

CABLEADO Y APLICACIONES DEL MODELO APX490M

El amplificador de audio marino de 4 canales Clarion APX490M puede utilizarse en diversas aplicaciones de sistema. A continuación se muestran algunos ejemplos para ayudarle a planear su propia instalación.

Español

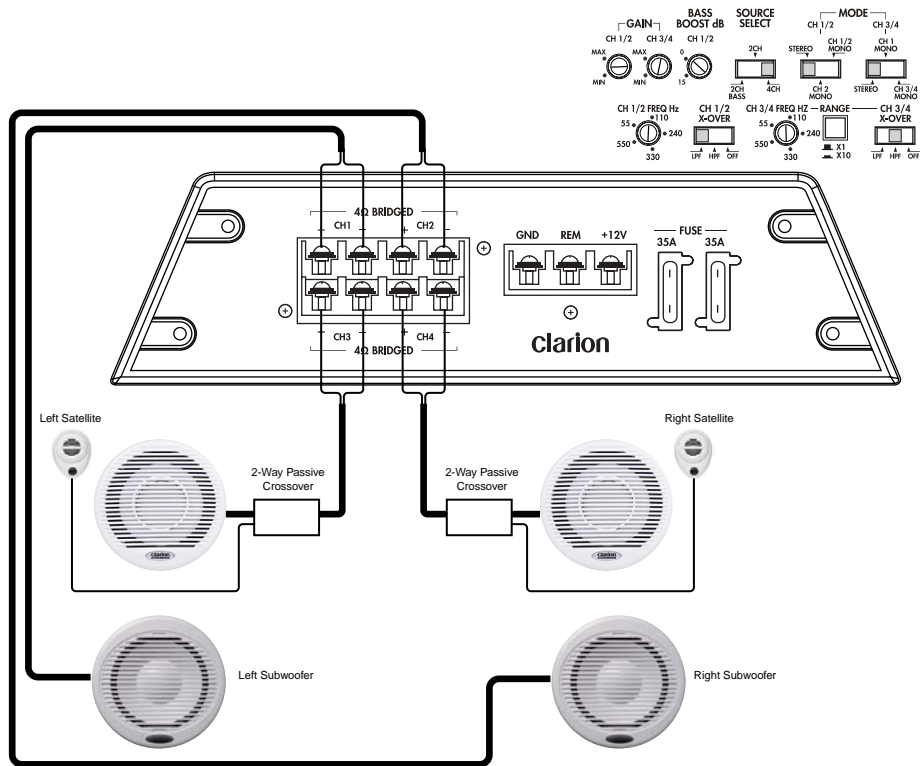
Fig. 4
Sistema Estéreo de Rango Completo de 4 canales



En esta aplicación, el APX490M se utiliza como un amplificador de cuatro canales para controlar cuatro altavoces de rango completo en estéreo.

Manual de Operación/Instalación

Fig. 5
Sistema Estéreo de 4 Canales
Pasa-altos de 2 canales, Pasa-bajos de 2 Canales

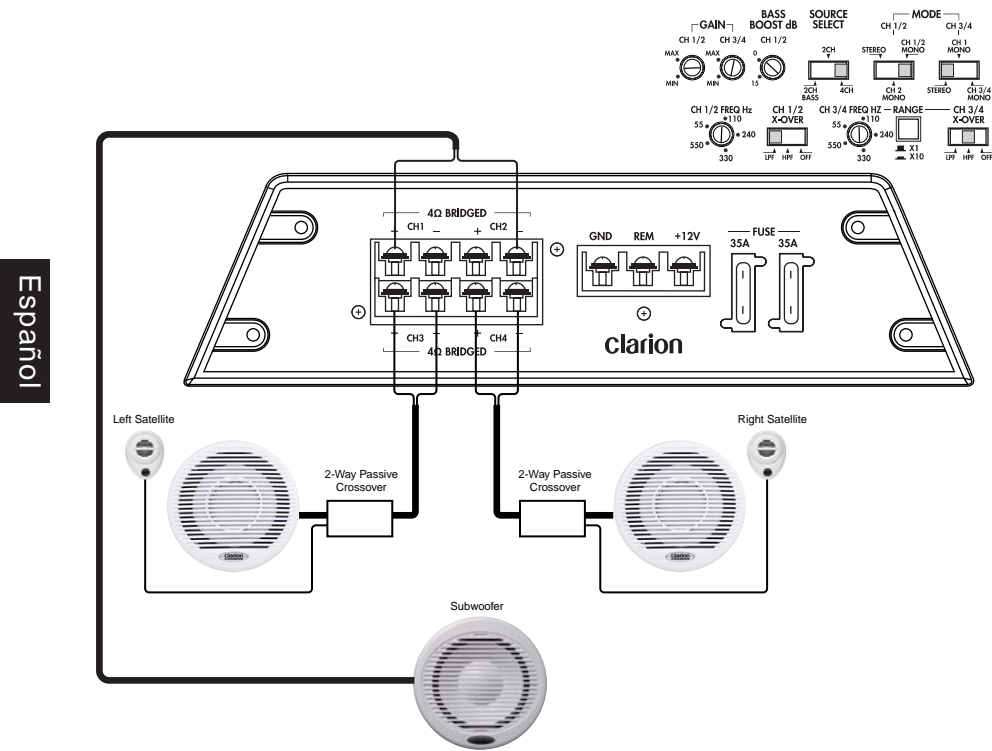


Español

En este sistema de cuatro canales, el APX490M controla un par de satélites estéreo delanteros y un par de subwoofers traseros. Observe los ajustes del filtro.

clarion Amplificador de Sistema de Potencia APX290M/APX490M

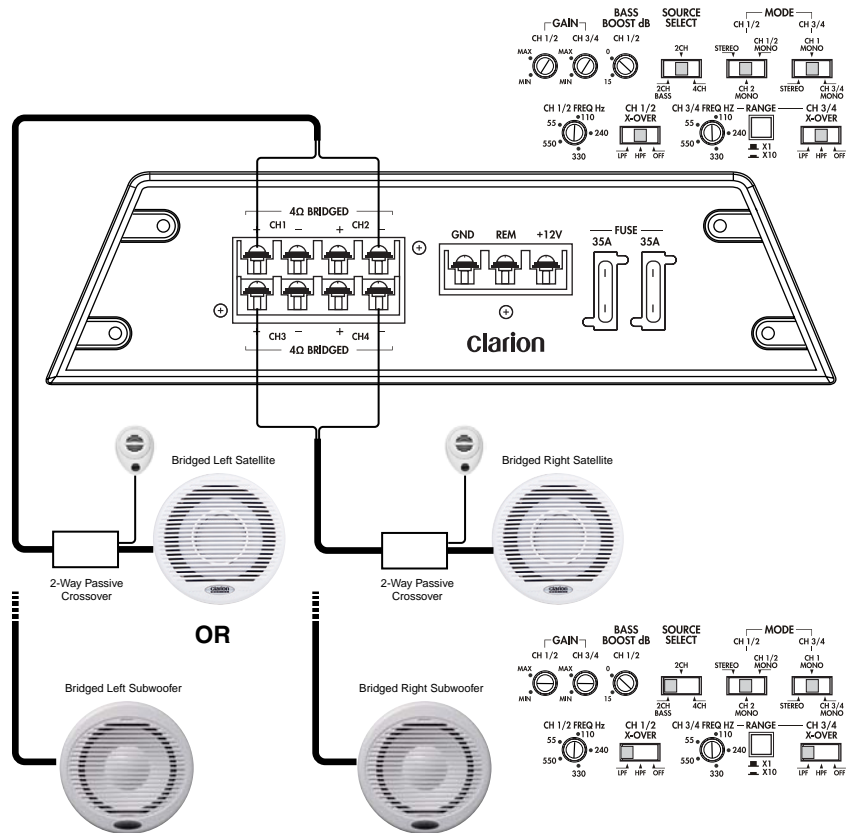
Fig. 6
Sistema Estéreo de 2 Canales con Canal Mono Punteado con Pasa-Bajos



El APX490M también puede utilizarse para controlar un par de satélites estéreo delanteros y un subwoofer mono sencillo trasero. Observe los ajustes del filtro.

Manual de Operación/Instalación

Fig. 7
Sistema de Alta Potencia de 2 Canales (Satélite o Subwoofer)

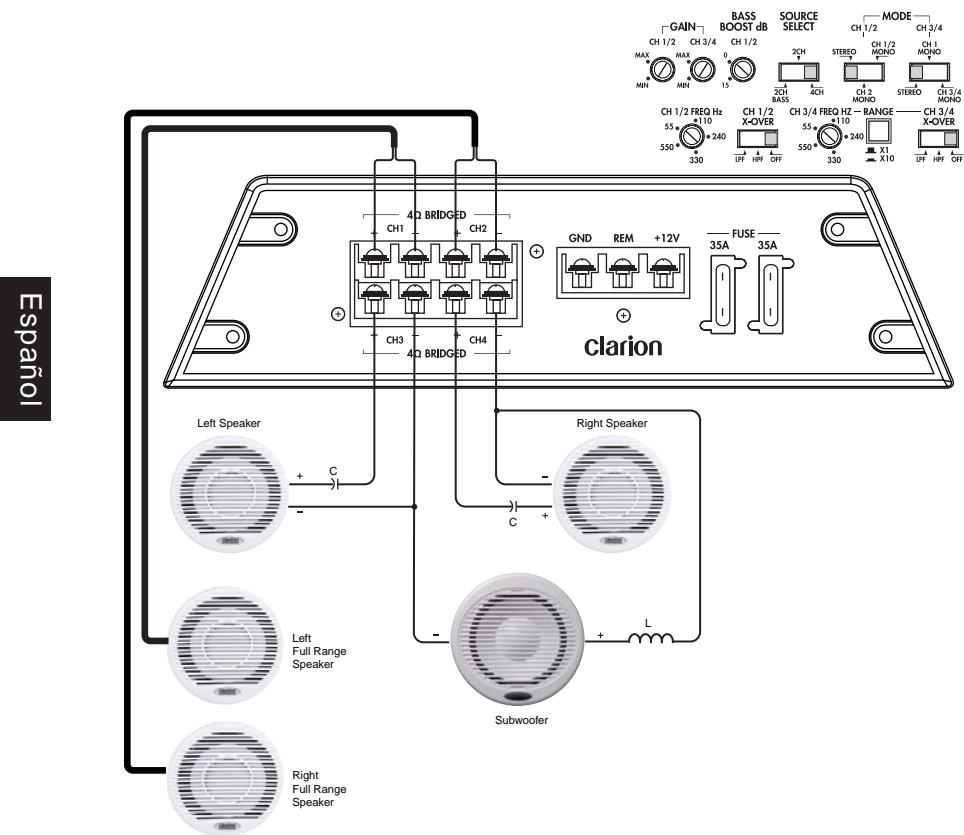


Español

El modelo APX490M puede configurarse como un amplificador de alta potencia de 2 canales para controlar un par de satélites (o subwoofers)

clarion Amplificador de Sistema de Potencia APX290M/APX490M

Fig. 8
Sistema de Modo Mixto Trasero, Altavoces de Rango Completo Delanteros



Español

Frecuencia (Hz)	L (mH)	C (uF)
80	8.0	497
100	6.4	398
125	5.1	318
150	4.2	265
200	3.2	199

NOTA: Los valores de las tablas se basan en altavoces de 4 Ohms.

El amplificador puede configurarse para operación en modo mixto en las secciones de amplificador de los canales 1/2 ó 3/4. La tabla proporciona los valores de los componentes para crear una división de frecuencias de 6 dB por octava en las frecuencias especificadas. Use componentes que tengan una tolerancia de +5% y capacitores con una capacidad nominal de 100 V.

NOTA: Elija la misma frecuencia para ambos divisores de frecuencias LP y HP. No traslape las frecuencias, ya que esto puede dañar el amplificador.

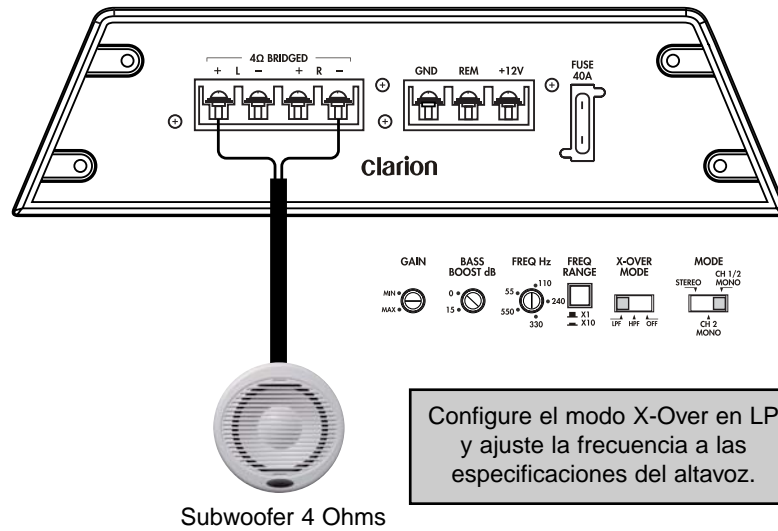
Manual de Operación/Instalación

CABLEADO Y APLICACIONES DEL MODELO APX290M

El amplificador de audio marino de 4 canales Clarion APX490M puede utilizarse en diversas aplicaciones de sistema. A continuación se muestran algunos ejemplos para ayudarle a planear su propia instalación.

Fig. 9

Puenteado – Sistema de Subwoofer Mono

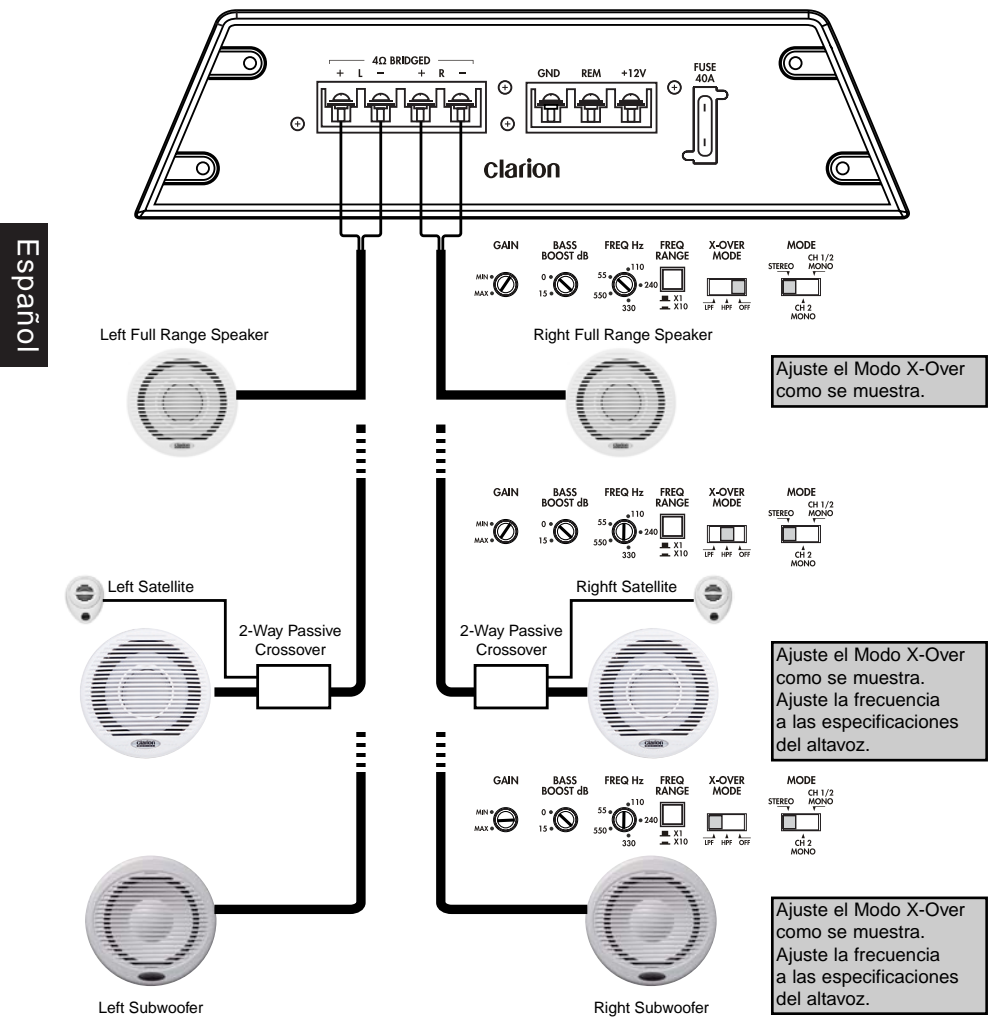


Español

Esta aplicación el amplificador está puenteado en operación monoaural para controlar un subwoofer.

clarion Amplificador de Sistema de Potencia APX290M/APX490M

Fig. 10
Sistema Estéreo de 2 Canales de Rango Completo, Satélite o Subwoofer
(Ajuste el Interruptor SELECCIÓN DE ENTRADA en ESTÉREO)

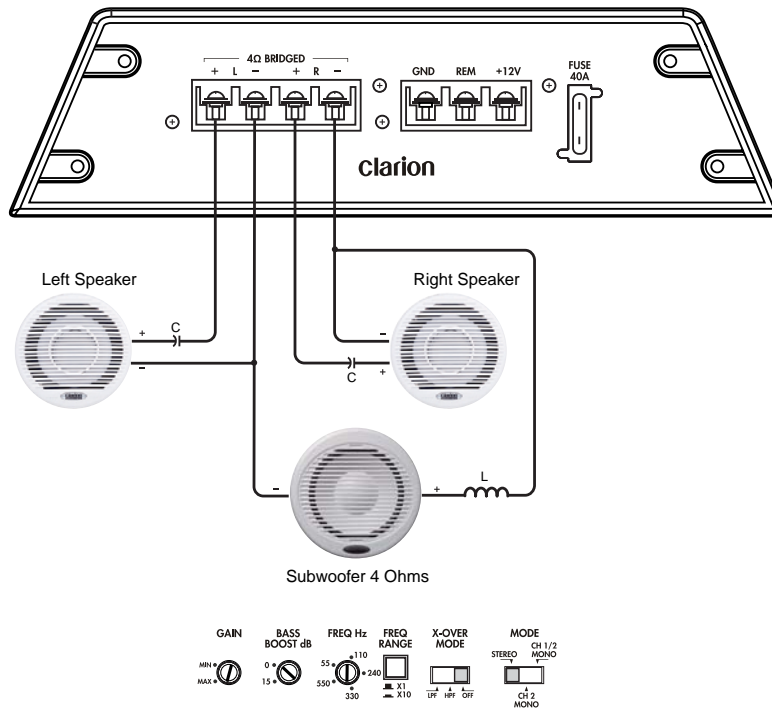


En esta aplicación, el amplificador se utiliza en estéreo y controla dos altavoces de rango completo (o satélite o subwoofer).

NOTA: Debe utilizar un divisor de frecuencias pasivo con los altavoces satélites.

Manual de Operación/Instalación

Fig. 11
Sistema de Satélite y Subwoofer de Modo Mixto
(Ajuste SELECCIÓN DE ENTRADA en ESTÉREO)



Español

Frecuencia (Hz)	L (mH)	C (uF)
80	8.0	497
100	6.4	398
125	5.1	318
150	4.2	265
200	3.2	199

NOTA: Los valores de las tablas se basan en altavoces de 4 Ohms.

El amplificador puede configurarse para una operación en modo mixto. La tabla proporciona los valores de los componentes para crear una división de frecuencias de 6 dB por octava en las frecuencias especificadas. Use componentes que tengan una tolerancia de +5% y capacitores con una capacidad nominal de 100 V.

NOTA: Elija la misma frecuencia para ambos divisores de frecuencias LP y HP. No traslape las frecuencias, ya que esto puede dañar el amplificador.

clarion Amplificador de Sistema de Potencia APX290M/APX490M

AJUSTE DE LA GANANCIA

Después de completar la instalación, siga estos pasos para ajustar el Control de Ganancia y después realizar las Comprobaciones Finales del Sistema.

1. Gire el Control de Ganancia totalmente en el sentido contrario al de las manecillas del reloj.
2. Encienda las unidades fuente colocando el interruptor de ENCENDIDO/APAGADO en la posición de ENCENDIDO. Ajuste todos los controles de Tono o Ecuilización a las posiciones "planas" y apague la intensidad sonora.
3. Reproduzca un CD, ajuste el Control de Volumen al 75% del nivel total.
NOTA: Si el sistema utiliza un ecualizador, ajuste todos los controles de frecuencia en las posiciones "planas".
4. Aumente despacio el Control de Ganancia. Deténgase cuando oiga una distorsión de audio ligera.

Español

AJUSTE DEL DIVISOR DE FRECUENCIAS

El modelo Clarion APX290M cuenta con un divisor de frecuencias totalmente ajustable, el modelo Clarion APX490M cuenta con divisores de frecuencias delantero y trasero totalmente ajustables. Para ajustar el divisor de frecuencias, siga estos pasos.

1. Usando el Interruptor del Modo X-Over, seleccione el modo deseado: LP para Pasa-bajos, HP para Pasa-altos o APAGADO para Rango Completo.
2. Seleccione la frecuencia deseada usando el Control de Selección de Frecuencia (Hz). Si la frecuencia deseada excede el rango del Control de Selección de Frecuencia (Hz), presione el interruptor del Multiplicador de Frecuencia del Divisor de Frecuencias para aumentar el valor en un múltiplo de 10.
 - Por ejemplo, 55 Hz x 10 = 550 Hz ó 550 Hz x 10 = 5.5k Hz.
3. Repita los pasos 1 y 2 para ambos divisores de frecuencias delantero y trasero en el APX490M.

AJUSTE DEL INCREMENTO DE BAJOS DEL SUBWOOFER

1. Inicialmente, ajuste el control de Incremento de Bajos a la posición máxima a la izquierda (es decir, 0 dB).
2. Escuche diversos estilos de música (por ejemplo, Rock, Rap, etc.) y aumente lentamente el control de Incremento de Bajos hasta percibir un aumento apreciable en la respuesta de bajos.
3. Ajuste lentamente el control del Incremento de Bajos (hacia arriba o hacia abajo) para determinar la mejor respuesta de bajos.
PRECAUCIÓN: Si escucha un "chasquido" (debido al exceso de esfuerzo de los altavoces), disminuya el Incremento de Bajos para evitar daño a los altavoces. Si el sistema se escucha turbio o distorsionado (debido a cortes del amplificador), disminuya el Incremento de Bajos para evitar el apagado debido al sobre calentamiento.

Manual de Operación/Instalación

COMPROBACIÓN FINAL DEL SISTEMA

1. Encienda la unidad fuente. Después de dos segundos, aumente lentamente el Control de Volumen y escuche el audio. Si escucha cualquier ruido, estática, distorsión o no escucha sonido alguno, compruebe las conexiones y también consulte la Solución de Problemas. Según el diseño de su sistema, los niveles pueden volverse demasiado fuertes incluso en ajustes de Control de Volumen bajos. Tenga cuidado al ajustar los controles, hasta tener una "sensibilidad de audio" de la potencia del sistema.
2. Gire los Controles de Balance a sus posiciones extremas y escuche los resultados. La representación del audio deberá igualar los ajustes de control (audio del altavoz izquierdo cuando el balance está a la izquierda).
3. Aumente el volumen y verifique que el amplificador reproduzca el audio (a frecuencias completas) sin distorsión. Si escucha una distorsión, compruebe las conexiones y verifique que el Control de Ganancia esté ajustado correctamente. Otra posibilidad es que los altavoces estén dañados o no tengan la potencia suficiente. Refiérase de nuevo a la Solución de Problemas para obtener ayuda adicional.

Español

SOLUCIÓN DE PROBLEMAS

Problema

Sin Audio.

Solución

Voltaje de encendido remoto bajo o ausente. Compruebe las conexiones remotas en el amplificador y en la unidad fuente.

Fusible del amplificador fundido. Reemplácelo con un fusible rápido nuevo (de la misma capacidad).

Cables de energía desconectados. Compruebe la batería y el cableado a tierra en el amplificador; también compruebe las conexiones de la batería.

Terminales del altavoz en cortocircuito. Compruebe la continuidad del altavoz a tierra; no debe mostrar una tierra común.

Los altavoces están desconectados o están fundidos. Compruebe las conexiones de los altavoces en el amplificador y mida la impedancia de la bobina.

Problema

El audio se enciende y se apaga continuamente.

Solución

Los circuitos de protección térmica están apagando el amplificador.

Compruebe que exista una ventilación adecuada en la ubicación; consulte con un Distribuidor de Audio Marino de Clarion autorizado.

clarion Amplificador de Sistema de Potencia APX290M/APX490M

Español

Problema

Audio distorsionado.

Solución

La ganancia no está ajustada correctamente o los conos del altavoz están dañados. Revise el Ajuste de la Ganancia; inspeccione cada uno de los conos de los altavoces en busca de daño (por ejemplo, cono congelado, olor a quemado, etc.)

Problema

El audio no tiene potencia.

Solución

Los altavoces están cableados incorrectamente, lo cual ocasiona la cancelación de las frecuencias bajas. Compruebe la polaridad de los cables desde el amplificador hasta cada uno de los altavoces 150 según lo definido en el diseño del sistema.

Problema

El fusible del amplificador se funde continuamente.

Solución

Cableado incorrecto o cortocircuito. Revise la instalación y compruebe todas las conexiones del cableado.

Problema

Sonido de chirrido o golpeteo en el audio al encender el motor.

Solución

El amplificador está captando ruido del alternador o ruido irradiado. Disminuya la ganancia de entrada; aleje los cables de audio de los cables de energía. Compruebe las conexiones de energía y de conexión a tierra en el amplificador, instale un filtro de ruido en línea en el cable de energía de la unidad fuente; compruebe el alternador y/o el regulador de voltaje; compruebe si la batería está débil o añada agua a la batería.

ESPECIFICACIONES DEL PRODUCTO

MODELO	APX490M	APX290M
Respuesta de Frecuencia	20Hz ~ 20kHz	20Hz ~ 20kHz
Proporción Señal-Ruido	>97db	>95db
THD	.10% todos los canales controlados	.10% todos los canales controlados
Sensibilidad de Entrada		
Nivel Bajo	200mV ~ 6.0V	200mV ~ 6.0V
Sensibilidad de Entrada		
Nivel de Altavoz	500mV ~ 13V	500mV ~ 13V
Salida de Potencia Máxima	720W (180 x4)	360W (180 x2)
Salida de Potencia Continua	360W (90W x4) @.10% THD	180W (90W x2) @.10% THD
Salida Estéreo de 2 Ohms	165W x 4 @ .10% THD	150W x 2 @ .10% THD
Alimentación Puentesada	330W x 2 @ .10% THD	250W x 1 @ .10% THD
Dimensiones	2-1/8" Alto x 8-3/4" Ancho x 16-1/8" Largo	2-1/4" Alto x 9-1/8" Ancho x 10-1/2" Largo
Consumo de corriente en la salida a la potencia máxima	58A @ 720 Watts	29A @ 382 Watts

Manual de Operación/Instalación

GARANTÍA LIMITADA DE CLARION

Para los EU y Canadá únicamente

Excepto donde se indique otra cosa, los productos Clarion adquiridos de un distribuidor Clarion autorizado están garantizados contra todos los defectos en materiales y mano de obra durante un periodo de **un (1) año** a partir de la fecha de compra original.

Todos los cables, alambres y otros accesorios Clarion están garantizados contra todos los defectos en materiales y mano de obra durante un periodo de noventa (90) días a partir de la fecha de compra original, si se adquirieron de un distribuidor Clarion autorizado.

TODAS LAS COMPRAS A DISTRIBUIDORES CLARION NO AUTORIZADOS ESTÁN SUJETAS A RESTRICCIONES ADICIONALES DE GARANTÍA SEGÚN SE DESCRIBE A CONTINUACIÓN.

Las condiciones de esta Garantía Limitada y el alcance de la responsabilidad de Clarion Corporation of America ("Clarion") bajo la Garantía Limitada son las siguientes:

- SE REQUERIRÁ UNA PRUEBA DE COMPRA DE UN DISTRIBUIDOR CLARION AUTORIZADO PARA EL SERVICIO DE GARANTÍA DE ESTE PRODUCTO. EN EL CASO DE LA GARANTÍA LIMITADA DE UN (1) AÑO PARA LOS PRODUCTOS CLARION MENCIONADOS ANTERIORMENTE, SE REQUIERE LA PRUEBA DE LA FECHA DE COMPRA DE UN DISTRIBUIDOR CLARION AUTORIZADO. LA INFORMACIÓN ACERCA DE LOS CENTROS DE SERVICIO DE GARANTÍA AUTORIZADOS PUEDE OBTENERSE COMUNICÁNDOSE CON CLARION A LA DIRECCIÓN LISTADA MÁS ADELANTE.**
- Esta Garantía Limitada se invalidará si el servicio realizado por cualquier persona diferente a un Centro de Servicio de Garantía Clarion aprobado tiene como resultado daño al producto.
- Esta Garantía Limitada no es aplicable a cualquier producto que haya sido sujeto a un mal uso, negligencia o accidente, o el cual haya sufrido alteraciones, modificaciones o la eliminación del número de serie, o el cual haya sido conectado, instalado, ajustado o reparado de manera diferente a la especificada en las instrucciones elaboradas por Clarion.
- Esta Garantía Limitada no cubre estática en el automóvil u otras interferencias eléctricas, limpieza o ajuste del cabezal de cintas o del lector láser, o costos de mano de obra por la desinstalación o reinstalación de la unidad para reparación.
- La seule responsabilité de Clarion d'après cette garantie limitée, est restreinte à la réparation du produit ou au remplacement du produit, à la discrétion absolue de Clarion.
- El producto debe enviarse en su empaque original o un empaque equivalente, totalmente asegurado, con los cargos de envío prepagados. Clarion no asumirá responsabilidad alguna por cualquier pérdida o daño incurrido en el envío.
- LOS PRODUCTOS CLARION ADQUIRIDOS DE UNA FUENTE DIFERENTE A UN DISTRIBUIDOR CLARION AUTORIZADO, INCLUYENDO TODAS Y CADA UNA DE LAS COMPRAS A TRAVÉS DE INTERNET DE UN DISTRIBUIDOR CLARION AUTORIZADO NO BASADO EN INTERNET, NO ESTARÁN CUBIERTAS POR GARANTÍA LIMITADA DE CLARION ALGUNA EN TANTO COMO LO PERMITA LA LEY APLICABLE. EN EL CASO Y EN LA MEDIDA QUE LA LEY APLICABLE PROHIBA LA ELIMINACIÓN DE GARANTÍAS BAJO ESTAS CIRCUNSTANCIAS, EL PERIODO DE GARANTÍA LIMITADA APLICABLE SE CONSIDERARÁ DE QUINCE (15) DÍAS A PARTIR DE LA FECHA DE COMPRA ORIGINAL.**
- TODAS LAS GARANTÍAS IMPLÍCITAS EXCEPTO EN LA MEDIDA QUE LA LEY APLICABLE LO PROHIBA, NO DEBERÁN TENER UNA DURACIÓN MAYOR A LA ESTABLECIDA EN EL PERIODO DE GARANTÍA ANTERIOR. BAJO NINGUNA CIRCUNSTANCIA CLARION SERÁ RESPONSABLE POR CUALQUIER PÉRDIDA O DAÑO, DIRECTO O INDIRECTO, RESULTANTE DEL USO O DE LA INCAPACIDAD DE USAR EL PRODUCTO. DEBIDO A QUE ALGUNOS ESTADOS NO PERMITEN LIMITACIONES SOBRE LA DURACIÓN DE UNA GARANTÍA IMPLÍCITA O EXCLUSIONES O LIMITACIONES DE DAÑOS DIRECTOS O INDIRECTOS, LAS LIMITACIONES O EXCLUSIONES ANTERIORES PUEDEN NO SER APLICABLES A USTED.**
- ESTA GARANTÍA LIMITADA LE OTORGA DERECHOS LEGALES ESPECÍFICOS, Y TAMBIÉN PUEDE TENER OTROS DERECHOS QUE VARIEN DE ESTADO A ESTADO.**
- Las leyes del Estado de California deberán regir y controlar esta Garantía Limitada, su interpretación y cumplimiento.
- Si tiene cualquier dificultad con el rendimiento de este producto durante el periodo de garantía, por favor comuníquese con Clarion o visite nuestro sitio Web para obtener una lista de los Centros de Servicio de Garantía Autorizados en su área. Usted también puede comunicarse con Atención al Cliente de Clarion en la dirección mostrada a continuación para cualquier servicio que pueda requerir respecto a los productos de Clarion.

En los EU
Clarion Corporation of America
Attn: Customer Service Manager
6200 Gateway Drive
Cypress, CA. 90630
1-800-GO-CLARION (310)327-9100
www.clarion.com

En Canadá
Clarion Canada, Inc.
Warranty Service Center
2239 Winston Park Drive
Oakville, Ontario L6H 5R1
(905)829-4600
www.clarioncanada.com

Español



clarion
MARINE

6200 Gateway Dr.
Cypress, CA 90630 U.S.A.
1-800-GO-CLARION
www.clarion.com