

# INSTRUCTION MANUAL OF UGZZ5-X02

## 1. BLUETOOTH MODULE SPECIFICATION

### 1-1. PRODUCT NAME

UGZZ5-X02

### 1-2. MANUFACTURE

ALPS ELECTRIC

### 1-3. FEATURES

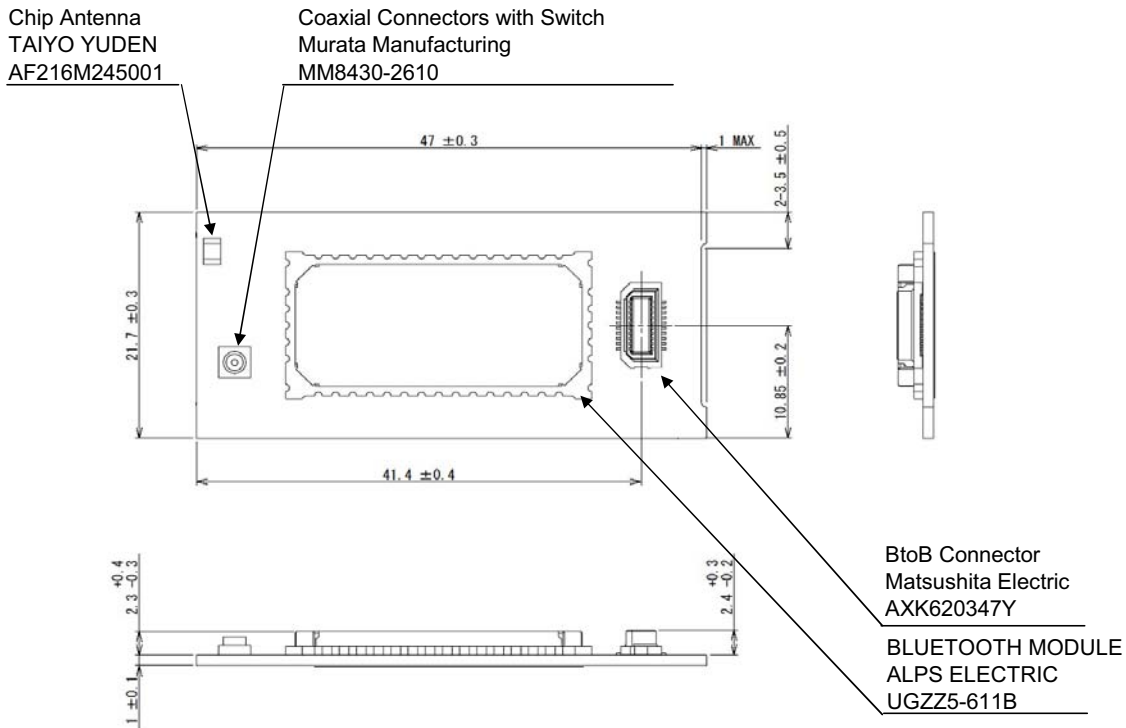
Bluetooth™ Specification V1.2 support  
Complete type of Bluetooth module, built-in various profile  
Built-in Link controller, Link Manager Protocol  
Output Power class2 compliant  
Type with a chip antenna  
Full custom package with pwb can be fit to only navigation products made by Xanavi  
Built-in Flash memory(8Mbit), system clock 26MHz(OSC)  
B to B interface

### 1-4. SPECIFICATION

#### 1-4-1. MECHANICAL SPECIFICATION

##### 1-4-1-1. EXTERNAL DIMENSIONS

Refer to the following page.



1-4-1-2. MASS  
4.4 [g]

#### 1-4-2. ELECTRIC SPECIFICATION

1-4-2-1. POWER-SUPPLY-VOLTAGE  
DC +3.1 to +3.5 [V]

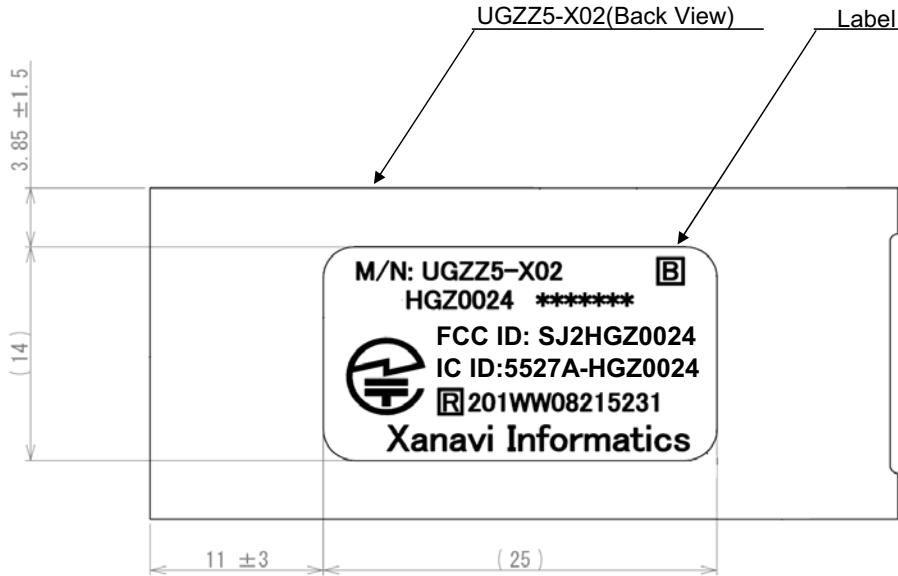
1-4-2-2. TEMPERATURE RANGE  
-30 to +85 [degree C]

#### 1-4-3. RF SPECIFICATION

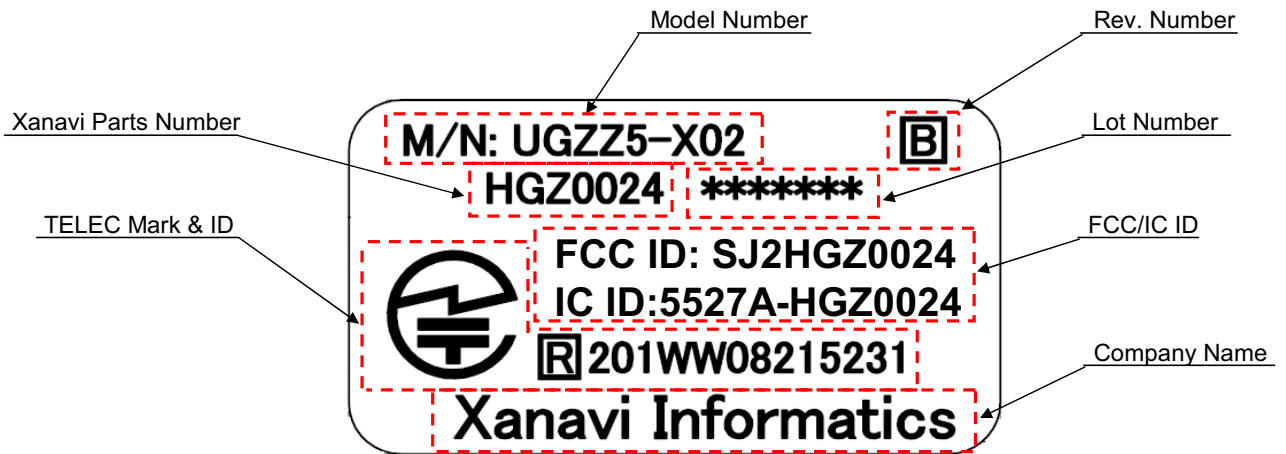
1-4-3-1. NORMAL TRANSMIT POWER(AVERAGED POWER)  
-6 to +4 [dBm]

1-4-3-2. REFERENCE SENSITIVITY LEVEL(BER=0.001%)  
MAX. -70 [dBm]

1-5. LABEL INFORMATION  
1-5-1. LABEL LAYOUT

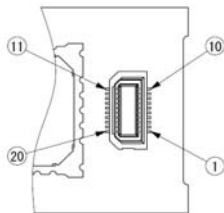


1-5-2. CONTENTS OF LABEL



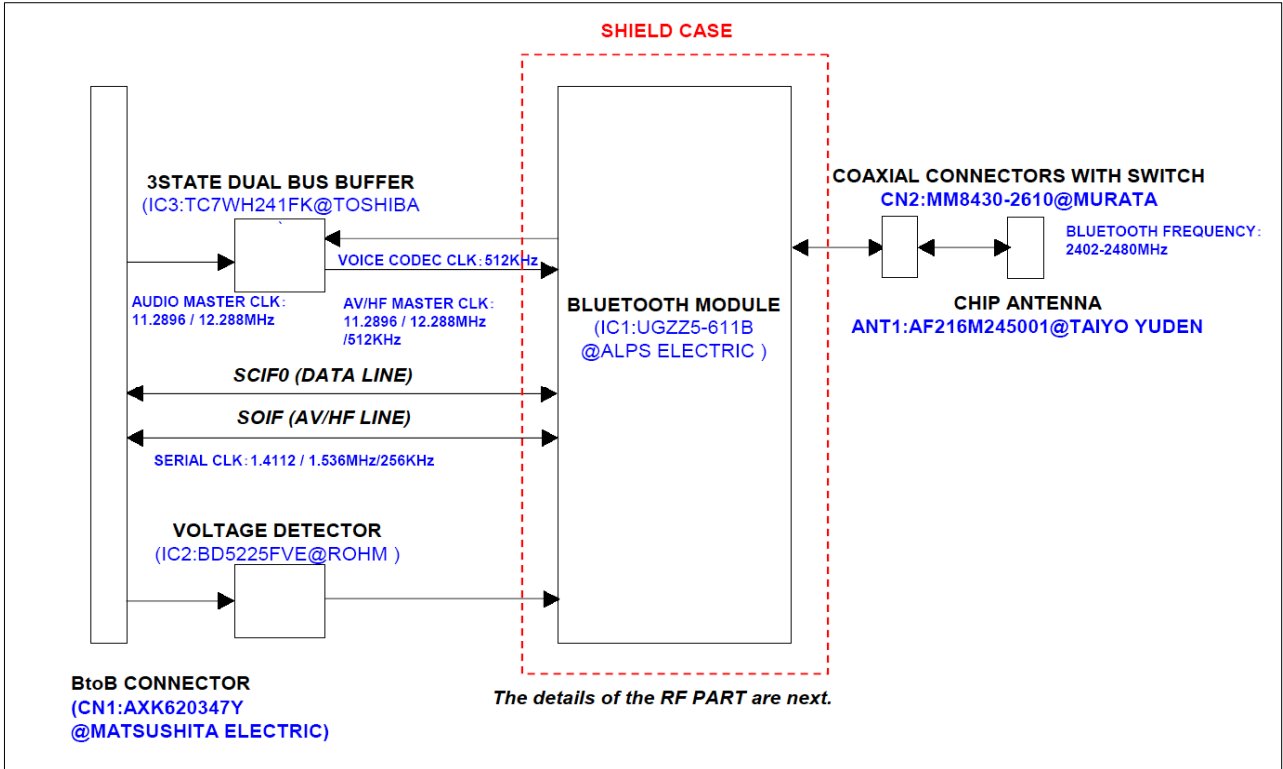
1-6. CONNECTOR PIN ASSIGNMENT

BtoB Connector terminal NO.



NO.	PIN NAME	NO.	DESCRIPTION
1	VCC	I	Power Supply 3.3V
2	GND	-	Ground
3	PTB1	O	AV Master Clock Select(44.1kHz=Low, 48kHz=High)
4	PTE0	O	PCM_Reset(Active Low)
5	PTA5	O	HF/AV Status signal
6	SIOF_SYNC	O	Audio Frame signal
7	SIOF_TXD	O	AV/HF Output
8	GND	-	Ground
9	SCIF0_RTS	O	UART_RTS
10	SCIF0_CTS	I	UART_CTS
11	SCIF0_RXD	I	UART_RX
12	SCIF0_TXD	O	UART_TX
13	SIOF_SCK	O	Audio Clock
14	SIOF_RXD	I	AV/HF Input
15	CLK11/12M	I	AV Master clock Input
16	PTA6	I	MODE Select
17	BOOT_E	I	BOOT Enable
18	PTE5	O	PCM Mute
19	RESETP/	I	Reset(Active Low)
20	VCC	I	Power Supply 3.3V

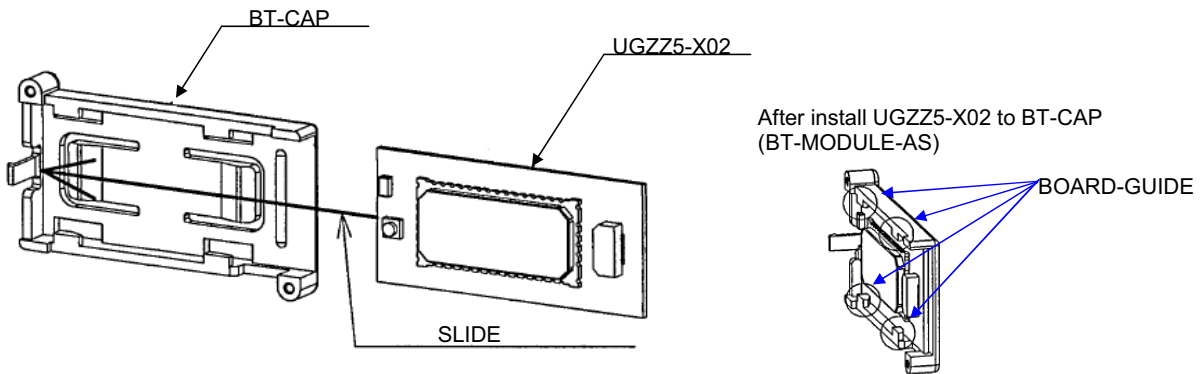
1-7. BLOCK DIAGRAM



2. PROCEDURE TO BUILD IN

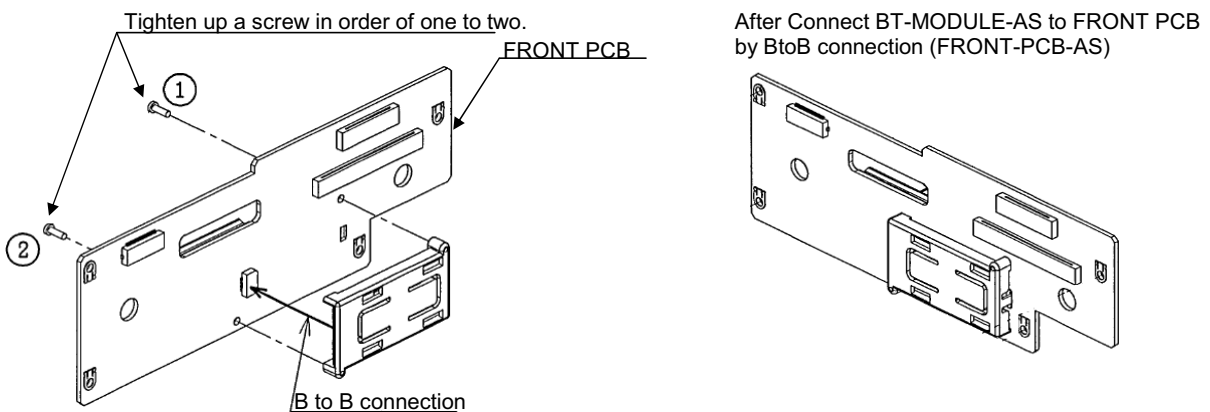
2-1. PROCEDURE FOR UGZZ5-X02

(1)Install UGZZ5-X02 to BT-CAP

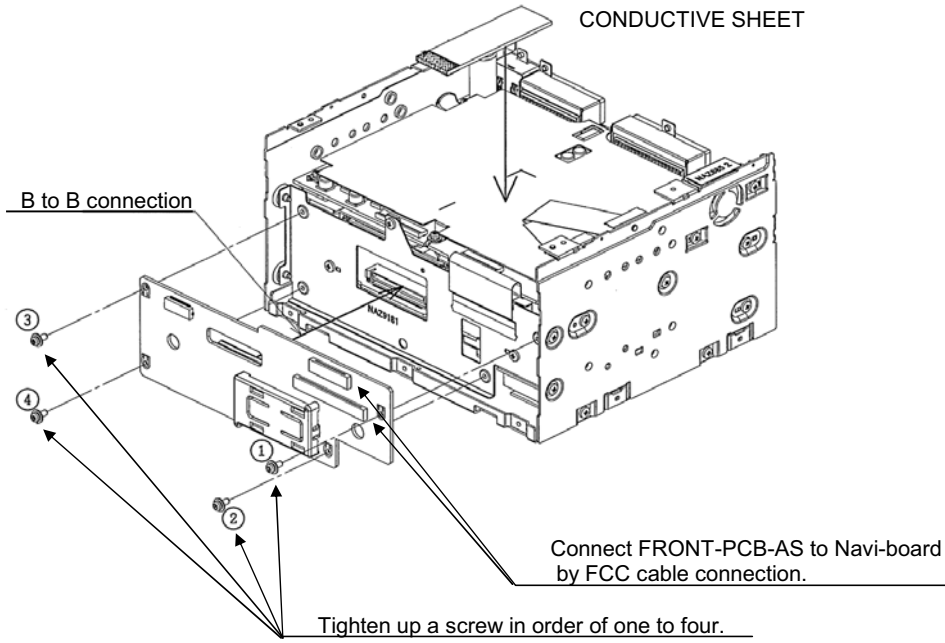


Slide to 4 points of Board-guide, and sandwich the module.

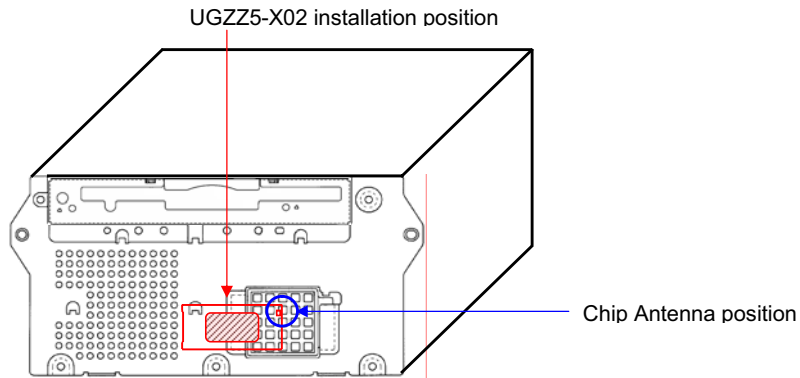
(2)Connect BT-MODULE-AS to FRONT PCB by BtoB connection



(3) Install FRONT-PCB-AS to Navigation-unit



- (4) Install DVD-AS to Navigation-unit
- (5) Install UPPER-COVER to Navigation-unit
- (6) Install FRONT-COVER to Navigation-unit
- (7) Install REAR-COVER to Navigation-unit



**3. NOITCE**

**-Operation is subject to the following two conditions:**

**(1) this device may not cause interference, and**

**(2) this device must accept any interference, including interference that may cause undesired operation of the device.**

**-Any changes or modifications not expressly approved by the party responsible for compliance could void the user's authority to operate the equipment.**

**-Please note that this users manual should not be provided to end-users.**

**-The following sentence has to be displayed on the outside of the device in which the module is installed:  
"Contains Transmitter Module FCC ID: SJ2HGZ0024", or "Contains FCC ID: SJ2HGZ0024"**

**-This equipment complies with FCC RF radiation exposure limits set forth for an uncontrolled environment.**