



Owner's manual & Installation manual
Mode d'emploi et manuel d'installation
Manual de instrucciones y de instalación

M608

WATERTIGHT MARINE BLUETOOTH® USB/MP3/WMA RECEIVER
LECTEUR MARINE ÉTANCHE BLUETOOTH® USB/MP3/WMA
RECEPTOR BLUETOOTH® USB/MP3/WMA ESTANCO PARA EMBARCACIONES

CLARION PRODUCT REGISTRATION INFORMATION

For USA and Canada only

www.clarion.com

Dear Customer,

Congratulations on your purchase of a Clarion mobile electronic product. We are confident that you'll enjoy your Clarion experience.

There are many benefits to registering your product. We invite you to visit our website at www.clarion.com to register your Clarion product.

We have made the product registration process simple with our easy to use website.

The registration form is short and easy to complete. Once you're registered, we can keep you posted on important product information.

Register at www.clarion.com - it's easy to keep your Clarion product up to date.

Please periodically check the Clarion website for software updates and improvements for your Clarion product. These updates can be found under the "Get Support" tab, then "Software Update / Download".

Contents

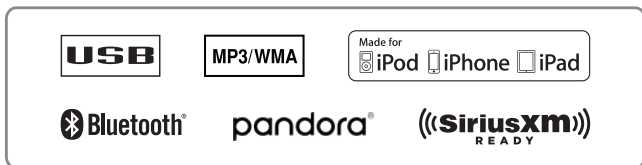
Thank you for purchasing this **Clarion** product.

- Please fully read this owner's manual before operating this equipment.
- Check the contents of the enclosed warranty card and store it in a safe place with this manual.

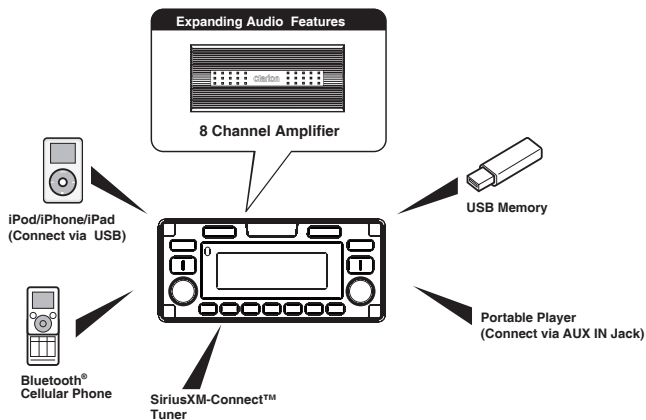
1. FEATURES	2
2. PRECAUTIONS	2
Front Panel / General Information	3
USB Port	3
3. CONTROLS	4
Operational Panel	4
Remote Control (RCX001: Sold separately)	5
Notes for use of Optional Remote Control	5
Optional Wired Remote Control Unit Operations	6
Zone Control	6
5. OPERATIONS	7
Basic Operations	7
System Setup	7
Audio Setup	8
Tuner Operations	9
SiriusXM Satellite Radio Operations	9
USB Operations	10
iPod, iPhone & iPad Operations	11
Bluetooth Operations	12
AUX Operations	13
6. TROUBLE SHOOTING	14
7. ERROR DISPLAYS	15
8. SPECIFICATIONS	15
9. INSTALLATION / WIRE CONNECTION GUIDE	16

1. FEATURES

- Compatible with iPod® / iPhone® / iPad® with Pandora® internet radio App
- SiriusXM-Ready™ (Tuner and Subscription required and sold separately)
- 8ch RCA Output and BEAT-EQ with 3 Band Parametric Equalizer



Expanding System Options



Note:

- The items listed only show connectivity options and are not included with the unit.

2. PRECAUTIONS

⚠ WARNING

For your safety, the driver should not operate the unit while driving. Also, while driving, keep the volume to a level at which external sounds, such as voices and sirens can be heard.

1. When the interior of the boat is extremely cold and the player is used soon after switching on the heater, moisture may form on the internal circuitry of the player and proper playback may not be possible. If moisture forms inside of the player, do not use the player for about one hour. The condensation will disappear naturally allowing normal operation.
2. This unit uses precision parts and components for its operation. In the event of any operating issues, never open the case, disassemble the unit, or lubricate the rotating parts. Contact your Clarion dealer or service center.
3. FCC STATEMENT

1. This device complies with Part 15 of the FCC Rules. Operation is subject to the following two conditions:

(1) This device may not cause harmful interference.
 (2) This device must accept any interference received, including interference that may cause undesired operation.

2. Changes or modifications not expressly approved by the party responsible for compliance could void the user's authority to operate the equipment.

NOTE:

This equipment has been tested and found to comply with the limits for a Class B digital device, pursuant to Part 15 of the FCC Rules. These limits are designed to provide reasonable protection against harmful interference in a residential installation.

This equipment uses and can radiate radio frequencies and, if not installed and used in accordance with the instructions, may cause harmful interference to radio communications. However, there is no

guarantee that interference will not occur in a particular installation. If this equipment does cause harmful interference to radio or television reception, which can be determined by turning the equipment off and on, the user is encouraged to try to correct the interference by one or more of the following measures:

- Reorient or relocate the receiving antenna.
- Increase the separation between the equipment and receiver.
- Connect the equipment into an outlet on a circuit different from that to which the receiver is connected.
- Consult the dealer or an experienced radio/TV technician for help.

FCC Radiation Exposure Statement

This equipment complies with FCC radiation exposure limits set forth for an uncontrolled environment. This equipment should be installed and operated with minimum distance 20cm between the unit & your body

4. "Made for iPod", "Made for iPhone" and "Made for iPad" mean that an electronic accessory has been designed to connect specifically to iPod, iPhone or iPad, respectively, and has been certified by the developer to meet Apple performance standards.

Apple is not responsible for the operation of this device or its compliance with safety and regulatory standards.

Please note that the use of this accessory with iPod, iPhone or iPad may affect wireless performance.

iPod, iPhone, iPad and iTunes are trademarks of Apple Inc., registered in the U.S. and other countries.

Supported iPod/iPad/iPhone devices:

iPhone 6s plus

iPhone 6s

iPhone 6 plus

iPhone 6

iPhone 5S

iPhone 5C

iPhone 5

iPad Mini4

iPad Air2

iPod touch (6th generation)

iPod touch (5th generation)

5. Pandora, the Pandora logo, and the Pandora trade dress are trademarks or registered trademarks of Pandora Media, Inc. used with permission. Pandora is only available in certain countries. Please visit pandora.com/legal for more information.

If you have any issues with the Pandora application on your mobile phone, please direct them to pandora-support@pandora.com.

6. The Bluetooth word mark and logos are registered trademarks owned by the Bluetooth SIG, Inc. and any use of such marks by Clarion Co., Ltd is under license. Other trademarks and trade names are those of their respective owners.

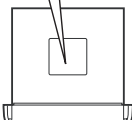
7. SiriusXM and all related marks and logos are trademarks of Sirius XM Radio Inc. All rights reserved.

8. IC warning

This device complies with Industry Canada's licence-exempt RSSs.

Operation is subject to the following two conditions:

- (1) This device may not cause interference
- (2) This device must accept any interference, including interference that may cause undesired operation of the device.



INFORMATION FOR USERS:

Changes or modifications to this product not approved by the manufacturer will void the warranty and will violate FCC approval.

Front Panel / General Information

For a longer service life, be sure to read the following cautions.

- Do not allow any liquids or fluids to enter the unit. Doing so may damage the internal circuitry.
- Do not disassemble or modify the unit in any way. Doing so may result in damage.
- Do not let any materials burn the display. Doing so may damage or deform the body.
- If a problem should occur, have the unit inspected at your store of purchase.
- The remote control unit may not work if the remote control sensor is exposed to direct sunlight.

Cleaning the Body

- Use a soft, dry cloth and gently wipe off any dirt or dust.
- For tough dirt, apply some neutral detergent diluted in water to a soft cloth, wipe off the dirt gently, then wipe again with a dry cloth.
- Do not use benzene, thinner, boat cleaner, etc., as these substances may damage the body or cause the paint to peel. Also, leaving rubber or plastic products in contact with the body for long periods of time may cause stains.

USB Port

- The USB memory sticks must be recognized as "USB" to work properly. Some models may not operate correctly.

In the event data is lost or damaged under any condition, Clarion shall not be liable for any damage.

When using the USB memory stick, we recommend that you backup your data (music) to a personal computer before using.

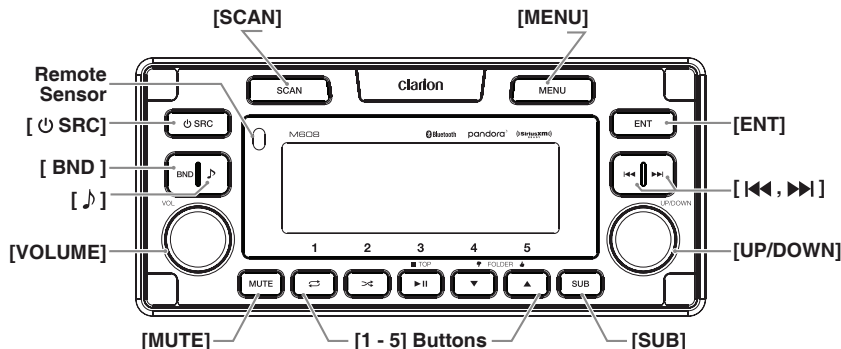
- Data (music) files may be damaged when using USB memory sticks in the following situations:

Removing the USB memory stick or turning the power off while reading data. Static electricity and/or an electrical surge can damage the contents on the USB memory device. Connect/disconnect the USB memory stick when it is not accessed.

- Disconnect the USB memory device when not in use.

3. CONTROLS

Operational Panel



Names of Buttons

[SRC] Button

- Toggles the audio sources
- Power on / Power off (Long Press)

[BND] Button

- **RADIO** mode – Select tuner band

[J] Button

- Audio adjustments
- Zone link (Long Press)

[VOLUME] Knob

- Adjust volume level

[SCAN] Button

- **RADIO** mode – Preset scan / Auto store (Long Press)

[MENU] Button

- **USB** mode – Search function
- **iPod** mode – iPod menu

- **Pandora** mode – Station select
- **SiriusXM** mode – Instant Replay (Short Press)
- In menu/file list – Back
- **Tuner** mode - No function
- **AUX** mode - No function
- Adjust mode (Long Press)

[ENT] button

- Confirm/enter when accessing menus
- Change song information displayed in digital sources
- Turn off LCD display (Long Press)

[REVERSE/PLAY] Buttons

- **RADIO** mode – Manual tuning / Auto search (Long Press)
- **USB/iPod** mode
 - Previous / next track
 - Fast Forward / Fast Backward (Long Press)
- **Pandora** mode – Skip track (▶▶)
- **SiriusXM** mode – Channel Up/Down

[UP/DOWN] Knob

- **Radio** mode - Toggle from the preset stations
- **USB** mode - Select folder/file
- **Pandora** mode – Select search mode/ station
- **SiriusXM** mode – Select category / (Operates on Category and Channel modes)

[MUTE] Button

- Mute the volume output

[1 - 5] Buttons

- [1] Button: Repeat play / Preset station 1 / Preset station memory 1 (Long Press)
- [2] Button: Random play / Preset station 2 / Preset station memory 2 (Long Press) / **Pandora** mode – Bookmark track
- [3] Button: Play/Pause / Preset station 3 / Preset station memory 3 (Long Press) / **Pandora** mode - Bookmark artist
- [4] Button: Previous folder / Preset station 4 / Preset station memory 4 (Long Press)

Pandora mode - Thumbs down

- [5] Button: Next folder / Preset station 5 / Preset station memory 5 (Long Press) / **Pandora** mode - Thumbs up

[SUB] Button

- Subwoofer menu (Short Press)
- **SiriusXM** mode – Direct tune (Long Press)

Remote Control (RCX001: Sold separately)

[SRC / Φ] Button

- Toggles the audio sources
- Power on / Power off (Long Press)

[\ll / \gg] Buttons

- **Radio** mode - Manual Tune up or down / Seek Tune up or down (Long Press)
- Previous / next track
- **SiriusXM** mode - Channel up or down / Rapid Channel Browsing (Long Press)
- **Pandora** mode – Skip

[SCN/PS/AS] Button

- Scan play / Preset scan
- Auto memory store (Long Press)
- **Pandora** mode – Thumbs down
- **SiriusXM** mode – Channel scan (in current category) / Preset scan (Long Press)

[BAND/TOP] Button

- **USB** mode – Top play
- **RADIO** mode – Select tuner band
- **SiriusXM** mode – Select tuner band / Category Browsing mode (Long Press)

[\blacktriangle / \blacktriangledown] Buttons

- Volume up / down

[\blacktriangleright] Button

- Play / Pause

[ISR] Button

- No function

[MENU] Button

- Display switch

[RDM] Button

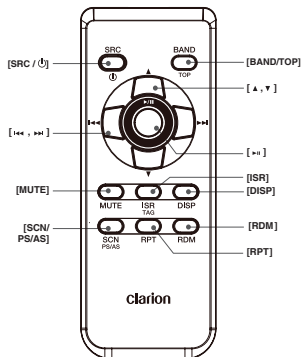
- Random play
- **Pandora** mode – Thumbs up

[RPT] Button

- Repeat play
- **Pandora** mode – Bookmark track / Bookmark Artist (Long Press)

[MUTE] Button

- Mutes the volume

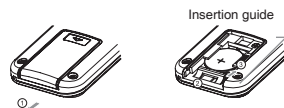


Notes for use of Optional RCX001 Remote Control

1. Aim the remote control at the remote sensor on the unit.
2. Remove the battery from the remote control or insert a battery insulator if the remote is not going to be used for a month or longer.
3. DO NOT store the remote control under direct sunlight or in high temperature environment, or it may not function properly.
4. Use "button shaped" lithium battery "CR2025" (3V) only.
5. DO NOT subject battery to recharge, disassemble, heat or dispose in fire or water.
6. Insert the battery in proper direction according to the (+) and (-) polarities.
7. Store the battery in a place where children cannot reach to avoid the risk of accident.

Inserting the Battery

1. Slide remote control unit's rear cover in the direction shown.
2. Insert battery (CR2025) into insertion guides with printed side (+) up.
3. Press battery into compartment as shown.
4. Replace and slide cover until it clicks into place.

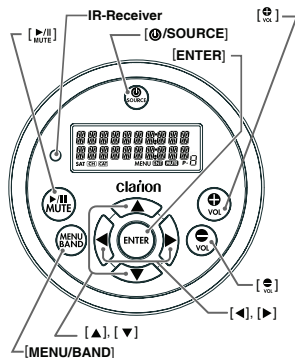


Optional Wired Remote Control Unit Operations

Optional Clarion wired remote control functions.

Note:

If the remote control is connected to the unit while powered on, please restart and/or reset the unit to introduce the wired remote control to the system.



CAUTION

Lower the volume level before powering the source unit off. The source unit stores the last volume setting.

WARNING

EXPOSING THE UNIT TO WATER WITH THE FRONT PANEL OPEN WILL CAUSE DAMAGE OR UNIT MALFUNCTION!

[⊙/SOURCE] Button

- Press the [⊙/SOURCE] button to turn the power on and press and hold it (1 sec.) to turn the power off.
- Each time the [⊙/SOURCE] button is pressed, the mode switches.

Note:

- If the above equipment is not connected, corresponding mode cannot be selected.

[ENTER] Button

- RADIO mode – No function
- USB mode – No function
- iPod mode – Confirm (in Menu mode)
- AUX mode – No function
- Pandora mode – No function
- SiriusXM mode – Confirm (in Menu mode)

[⊕] / [⊖] Buttons

- Press the [⊕] button to increase the volume.
- Press the [⊖] button to decrease the volume.

[◀] / [▶] Buttons

- RADIO mode – Station up-down / Seek up - down (long press)
- USB mode – Previous - next track / Fast forward-reverse (long press)
- iPod mode – Previous - next track / Fast forward-reverse (long press)
- AUX mode – No function
- Pandora mode – skip track (▶)
- SiriusXM mode – Channel up - down / Rapid tune up-down – (Long press) / Move cursor (direct mode) / Channel up - down in current category (Category mode)

Optional Wired Remote Control Unit Operations

[▲] / [▼] Buttons

- RADIO mode – Preset station up / down
- USB mode – No function
- iPod mode – Navigate (in Menu mode)
- AUX mode – No function
- Pandora mode – No function

[MENU/BAND] Button

- Each time the button is pressed, the band switches in the following order:
Radio: FM1 -> FM2 -> FM3 -> AM -> WB.....
SiriusXM: SXM1 -> SXM2 -> SXM3 -> SXM1.....
- Press and hold the button to enter the iPod menu. (in iPod mode)

[MUTE] Button

- RADIO mode – Mute ON-OFF
- USB mode – Play-Pause
- iPod mode – Play-Pause
- AUX mode – Mute ON-OFF
- Pandora mode – Play-Pause
- SiriusXM mode – Mute ON/OFF in Live mode Play/Pause in Instant Replay mode

IR-Receiver

- Receiver for optional IR remote control unit. (Operating range: 30° in all directions)

Zone Control

When powering on the first time, you will need to select the audio configuration type. Rotate the [UP/DOWN] knob to select "STANDARD", "MULTI ZONE" or "TOWER", and press [ENT] button to confirm.

If "STANDARD" mode is selected, all the zones will be configured together. If "MULTI ZONE" is selected, the zones can be configured separately.

If "TOWER" is selected, the zones will be split into Zone 1 and Zone 2 (Tower).

To reset the audio configuration type, please access system setup mode.

Zone Link (Multi-Zone/Tower Mode)

1. Press and hold the [J] button.
2. Press the [◀◀] or [▶▶] button to select the Zone number.
3. Rotate the [UP/DOWN] knob to select "YES" or "NO".
4. Press the [ENT] button to confirm.

5. OPERATIONS

Basic Operations

Note:

- Refer to the diagrams in "3. CONTROLS" when reading this chapter.

CAUTION

Listening to the unit at or near maximum volume level can be harmful to your hearing.

Power On / Off

Note:

- Start the engine before using this unit.
 - Be careful about using this unit for a long time without running the engine. If you drain the battery too far, you may not be able to start the engine and this can reduce the service life of the battery.
- Start the engine. The power button / knob illumination on the unit will light up.



Engine ON position

- Press the [⏻ / SRC] button on the front panel or remote control to turn on the power under standby mode. The unit goes back to the last status after power on.
- Press and hold the [⏻ / SRC] button on the front panel or the remote control to turn off the power.

Mute

Press the [MUTE] button on the remote control to mute the volume from the unit.

Note:

Doing the operation above again or adjusting volume will release muting.

Volume Adjustment

STANDARD: Rotate the [VOLUME] knob on the front panel or press the [▲] or [▼] button on the remote control.

MULTI ZONE: In Volume adjustment mode, press the [◀] or [▶] button to select ZONE number, then rotate the [VOLUME] knob to adjust.

TOWER: In linked mode, rotate [VOLUME] knob on the front panel or press the [▲] or [▼] button on the remote control. In non-linked while in volume adjustment press the [◀] or [▶] button to select Zone 1 or Tower, then rotate the [VOLUME] knob to adjust. The adjustable range of volume is 0 to 40.

CAUTION

While driving, keep the volume level at which external sounds can still be heard.

Changing Sources

Press the [⏻ / SRC] button to change the operation mode.

Changing the Display

Press and the [ENT] button on the front panel or press the [DISP] button on the remote control to switch the display information from clock, station information (radio mode), or track information (USB mode).

System Setup

Changing Adjustment Settings

- Press and hold [MENU] button to switch to system setup mode.
- Press the [◀] or [▶] button to select the "item name".
- Rotate the [UP/DOWN] knob to select the "desired setting value".
 - * For some options, you should press the [ENT] button to adjust the setting value.
- After completing the setting adjustment, press the [MENU] button to return to the previous mode.

CLOCK

- Press the [ENT] button.
- Press the [◀] or [▶] button to select the hour or the minute.
- Rotate the [UP/DOWN] knob to set the correct time.
 - * The clock is displayed in 12-hour format by default.
- Press the [ENT] button to store the time into memory.

Note:

- The clock can only be set while the unit is on. If you drain or remove the boat's battery or take out this unit, the clock will reset. While setting the clock, if another button or operation is selected, the clock set mode is canceled.

AUDIO MODE

- Rotate the [UP/DOWN] knob to select STANDARD, MULTI ZONE or TOWER.
- Press the [ENT] button to confirm.

DX/LO (RADIO mode)

Rotate the [UP/DOWN] knob to choose radio local or distant at RADIO mode.

- LO:** Only stations with strong signal can be received.
- DX:** Stations with strong and weak signals can be received.

AUX SENS (AUX mode)

Rotate the [UP/DOWN] knob to choose AUX Input sensitivity LOW, MID or HIGH in AUX mode.

PARENTAL (SiriusXM mode)

Change parental password. Default code is "0000".

LOCK CH (SiriusXM mode)

Lock the current channel

UNLOCK ALL CH (SiriusXM mode)

Unlock all parental locked channels.

SELECT

The "SELECT" menu is intended to automatically pair with a stored mobile device. This unit can store a maximum of three mobile devices. The mobile devices will be stored in the order they are paired to the unit. If you wish to add a different device than those already paired, you will need to delete the unwanted mobile device from the "DELETE" menu.

DELETE

- Press the [ENT] button.
- Rotate the [UP/DOWN] knob to choose the paired mobile phone name from the pairing list.
- Press the [ENT] button to confirm.

DISCON (BT mode)

Disconnect currently connected mobile phone.

- Press the [ENT] button, mobile phone displays are currently connected.
- Press the [ENT] button to disconnect.

AUTO CON: ON/OFF

- Rotate the [UP/DOWN] knob to choose AUTO CONNECTION ON or OFF.
 - ON: When detect the phone paired before, the unit will reconnect to it automatically.

System Setup

PIN CODE

1. Press the [ENT] button.
2. Rotate the [UP/DOWN] knob and press [◀▶] or [▶▶] button to choose a 4-digit password.
3. Press the [ENT] button to confirm.
The PIN CODE default setting is "0000".

SCREEN SAVER: ON/OFF

1. Rotate the [UP/DOWN] knob to choose screen saver ON or OFF.
ON: The screen saver will appear on the LCD screen after 30 seconds of non-use.

SCROLL: ON/OFF

1. Rotate the [UP/DOWN] knob to choose scroll ON or OFF.
For track information that is longer than the display panel:
When SCROLL is ON, the LCD will scroll the ID3 TAG information across the display, e.g.: TRACK -> FOLDER -> FILE -> ALBUM -> TITLE -> ARTIST -> TRACK ->...
When SCROLL is OFF, the LCD will display one of the ID3 TAG information, the default is TRACK, but user can adjust it to other ID3 TAG information by pressing [ENT] button.

PANDORA: ON/OFF

1. Rotate the [UP/DOWN] knob to choose Pandora ON or OFF.
Select OFF if the Pandora application has not been installed on your iPod, iPhone, or iPad.

DIMMER: ON/OFF

1. Rotate the [UP/DOWN] knob to choose dimmer ON or OFF.
- **ON:** LCD dimmer is active when the marker lights on the boat are turned ON.

- **OFF:** LCD always maximum brightness regardless of the boat's marker lights.

BEEP: ON/OFF

1. Rotate the [UP/DOWN] knob to choose button beep sound ON or OFF.

12/24H

1. Rotate the [UP/DOWN] knob to choose time format: 12 HOURS or 24 HOURS.

REGION

1. Rotate the [UP/DOWN] knob to choose a Radio Tuner Region from N.America/ Europe/Asia/Australia.

FACTORY RESET

1. Rotate the [UP/DOWN] knob to choose YES or NO.
2. YES: Press the [ENT] button to show "CONFIRM".
3. Rotate the [UP/DOWN] knob to choose YES or NO.
4. YES: Pressing the [ENT] button will reset the unit.

Audio Setup

STANDARD

1. Press the [↵] button to enter sound effect setting mode. First press shows current BEAT EQ setting. Rotate the [UP/DOWN] knob to change BEAT EQ in this order: EQ OFF -> POP -> CLASSIC -> JAZZ -> CUSTOM.
On CUSTOM setting mode, press the [ENT] button. Then press [◀▶] or [▶▶] button to select BAS, MID, or TRE Gain, rotate the [UP/DOWN] knob to select a value: (-6) - (+6), press [ENT] button to confirm.
2. After pressing the [↵] button, press [◀▶] or [▶▶] button to select USER preset including:
SUBWOOFER VOL -> SUBWOOFER LPF -> SUBWOOFER PHASE -> LOUDNESS -> BALANCE -> FADER -> FRONT/REAR HPF, rotate the [UP/DOWN] knob to select a value.

MULTI ZONE

1. Press the [↵] button to enter sound effect setting mode. First press shows current BEAT EQ settings. Rotate the [UP/DOWN] knob to change BEAT EQ in this order: EQ OFF -> POP -> CLASSIC -> JAZZ -> CUSTOM.
On CUSTOM setting mode, press the [ENT] button. Then press [◀▶] or [▶▶] button to select BAS, MID, or TRE Gain, rotate the [UP/DOWN] knob to select a value: (-6) - (+6), press [ENT] button to confirm.
2. After pressing the [↵] button, press [◀▶] or [▶▶] button to select ZONE 1/2/3/4 EQ -> BALANCE -> HPF. Rotate the [UP/DOWN] knob to select a value.

TOWER

1. Press the [↵] button to enter sound effect setting mode. First press shows current BEAT EQ setting. Rotate the [UP/DOWN] knob to change BEAT EQ in this order: EQ OFF -> POP -> CLASSIC -> JAZZ -> CUSTOM.
On CUSTOM setting mode, press the [ENT] button. Then press [◀▶] or [▶▶] button to select BAS, MID, or TRE Gain, rotate the [UP/DOWN] knob to select a value: (-6) - (+6), press [ENT] button to confirm.
2. After pressing the [↵] button, press [◀▶] or [▶▶] button to select USER preset including:
SUBWOOFER VOL -> SUBWOOFER LPF -> SUBWOOFER PHASE -> LOUDNESS -> BALANCE -> FADER -> FRONT/REAR HPF, rotate the [UP/DOWN] knob to select a value.

SUBWOOFER

1. Press the [SUB] button to enter subwoofer adjust mode.
2. Rotate the [UP/DOWN] knob to adjust the volume level from -6 to +6.

Tuner Operations

Selecting Tuner Mode

Press [⏪ / SRC] button once or more to enter TUNER mode.

Selecting a Radio Band

Press the [BND] button on the panel or [BAND] on the remote control to select one radio band among FM1, FM2, FM3, AM, WB.

Manual Tuning

During manual tuning, the frequency will be changed in steps.

Press the [⏪] or [⏩] button on the panel to tune in a lower / higher station.

Auto Tuning

Press and hold the [⏪] or [⏩] button to seek a lower / higher station.

To stop searching, repeat the operation above or press other buttons having radio functions.

Note:

When a station is received, searching stops and the station is played.

Preset Scan

Preset Scan receives the stations stored in preset memory in order. This function is useful when searching for a desired station in memory.

1. Press the [SCAN] button on the panel or [SCN/PS/AS] remote control.
2. When a desired station is tuned in, press the button again to continue receiving that station.

Note:

Be careful not to press and hold the [SCAN] button for 1 second or longer, otherwise the auto store function will begin and the unit starts storing stations.

Auto Store

The unit stores the strongest stations found in the entire Band.

Press and hold the [SCAN] button (1 sec.) to start automatic station search.

To stop auto store, press other buttons having radio functions.

Notes:

1. After auto store, the previous stored stations will be overwritten.
2. The unit has 5 bands, such as FM1, FM2, FM3, AM and WB. Each band can store 5 stations, M608 can store 25 stations in total.

Manual Store

When a desired radio station has been detected, press and hold number button 1 - 5 to store it in the memory.

Recalling a Stored Station

Press one numeric button among 1 - 5 on the panel to select the corresponding stored station.

Local Seeking

When LOCAL seeking is ON, only those radio stations with strong radio signal will be received.

To select LOCAL function, press and hold the [MENU] button on the front panel, then press [⏩] button repeatedly until DX/LO displays on the screen, and rotate the [UP/DOWN] knob to select Local or Distant mode.

Note:

The number of radio stations that can be received will decrease when Local mode is ON.

SiriusXM Satellite Radio Operations

Only SiriusXM® brings you more of what you love to listen to, all in one place.

Get over 140 channels, including commercial-free music plus the best sports, news, talk, comedy and entertainment. Welcome to the world of satellite radio.

A SiriusXM Tuner and Subscription are required. For more information, visit www.siriusxm.com.

Displaying the Radio ID

Before you listen to satellite radio, you must subscribe to the service using the SiriusXM Radio ID number.

1. Press [⏪ / SRC] button to activate SiriusXM mode.
2. Press [⏪] or [⏩] to select channel "0". The unit displays Radio ID.

Note: Unit does not display "0CH" when you tune to channel "0".

Activating your SiriusXM Subscription

After installing your SiriusXM-Connect Tuner and antenna, power on your headunit and select SiriusXM mode. You should be able to hear the SiriusXM preview channel on Channel 1. If you cannot hear the preview channel, please check the installation instructions to make sure your SiriusXM Connect tuner is properly installed.

Once you can hear the Preview channel, tune to Channel 0 to find the Radio ID of your tuner. In addition, the Radio ID is located on the bottom of the SiriusXM Connect Boat Tuner and its packaging. You will need this number to activate your subscription. Write the number down for reference.

Note: The SiriusXM Radio ID does not include the letters I, O, S or F.

In the USA, you can activate online or by calling SiriusXM Listener Care:

- Visit www.siriusxm.com/activatenow
- Call SiriusXM Listener Care at 1-866-635-8634

For Canadian Subscriptions, please contact:

- Visit www.siriusxm.ca/activatexm
- Call SiriusXM Customer Care at 1-888-539-7474

As part of the activation process, the SiriusXM satellites will send an activation message to your tuner. When your radio detects that the tuner has received the activation message, your radio will display: "Subscription Updated". Once subscribed, you can tune to channels in your subscription plan. Note, the activation process usually takes 10 to 15 minutes, but may take up to an hour. Your radio will need to be powered on and receiving the SiriusXM signal to receive the activation message.

Storing Channel Presets

1. Press [BND] button to select the desired band you want to store the preset in. There are 3 Satellite Radio Preset bands. Each press of [BND] button changes the band: SXM1 -> SXM2 -> SXM3 -> SXM1
2. Tune to the desired channel and then press and hold one of the preset buttons (1 - 5), to store the channel.
3. Repeat the procedure to store up to 5 channels on the same band.

Note:

- A total of 15 channels can be stored in the preset memory, 5 channels for each band (SXM1, SXM2 and SXM3).

Tuning Channels using Presets

1. Press [BND] button to select the desired band of presets you wish to access.
2. Press the preset button (1 - 5) that has your desired Satellite Radio channel stored in memory.

Category Browsing

1. Press and hold [BND] button to activate the Category Browsing mode.

SiriusXM Satellite Radio Operations

2. Rotate the [UP/DOWN] knob to select desired category.
3. Press [◀◀] or [▶▶] to select desired channel within the selected Category. You can see channel name, channel number, artist, title or content by pressing [J].
4. Press [ENT] to tune to selected channel.

Note:

If no operation is performed for 10 seconds, the Category Browsing mode is canceled.

Prescan

Prescan receives the channels stored in preset memory in order. This function is useful when searching for a desired channel in memory.

1. Press and hold the [SCAN] button.
2. When a desired channel is tuned in, press the [SCAN] button again to select that channel.

Category Scan

This function is useful when scanning for a desired channel within a specific category.

1. Short Press [SCAN] button to begin channel scan.
2. When the desired channel is playing, press the [SCAN] button again to select that channel.

Note:

Be careful not to press and hold the [SCAN] button for 1 second or longer, otherwise the preset scan function will begin and the unit starts scanning presets.

Instant Replay

1. In SiriusXM mode, press [MENU] button to enter INSTANT REPLAY mode.
2. Press [◀◀] or [▶▶] button to skip back or forward.
3. Press and hold [◀◀] or [▶▶] button to rewind (REW) or fast forward (FF).
4. Press the [3] button on the panel or [▶||] on the remote control for play/pause.

5. Press [MENU] or [BND] button to exit.

Changing the Display

Text information, such as the channel name, artist name/feature, song/program title and content is available with each SiriusXM channel. The unit can display this text information as explained below.

1. In SiriusXM mode, press [ENT] button. Each time you press this button, the display changes as shown below.
Band/Channel number/channel name -> Artist Name -> Song Title -> Content Info -> Category Name -> Clock -> Band/Channel number/channel name
- * If there is no text information, nothing will be displayed.

Parental Lock / Unlock

The SiriusXM Parental Control feature allows you to control access to channels that you consider inappropriate for younger listeners.

When enabled, the Parental Control feature requires you to enter a password to tune into the locked channels. Information on setting up the password, setting up the channels to be locked, and the method to access the locked channels is described below.

1. To set up the password, press and hold [MENU] then release [MENU] and press [▶▶] to scroll to "PARENTAL PASSWORD". Press [ENT] button to change password. Enter old password, then enter new password. To enter password, rotate [UP/DOWN] knob to choose the numbers (0-9) and press [◀◀] or [▶▶] to enter the next number in the password. Once all 4 numbers are entered, press [ENT] button to confirm password.
Note: Default password is "0000".
2. To set up the channels to be locked, tune to the channel you wish to lock. Press and hold [MENU] then release [MENU] and press [▶▶] to scroll to "LOCK CH", press [ENT] button to confirm. Input password as

SiriusXM Satellite Radio Operations

explained in step 1 and then press [ENT] button to set the locked channel. You will be asked to input password. Enter password and "LOCK" will be displayed if it is successful.

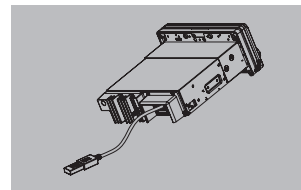
3. For unlocking the locked channel, tune to the channel you wish to unlock, press and hold [MENU] and press [▶▶] to select "UNLOCKCH". Enter the password to unlock the channel.
4. To access the locked channels, select a

channel by "DIRECT SELECT".

Press [MENU] and select "DIRECT SELECT" by pressing the [ENT] button. Input the desired locked channel (you need to input 3 digits) and enter the password, then you can tune into that locked channel.

USB Operations

1. Insert a USB device into the rear of the unit USB cable. When connecting a USB device, the unit will read the files automatically.
2. To remove the USB device, you should first select another source or turn off the power, in order to avoid damaging the USB device. Then you can remove the USB device safely.



This Unit Supports MP3/WMA File Playback

Note:

- If you play a WMA file with active DRM (Digital Rights Management), there will be no audio.

To disable DRM

(Digital Rights Management)

When using Windows Media Player 9/10/11, click on Tool -> Options -> Copy Music tab, then under Copy settings, unclick the Check box for Copy protect music. Then, reconstruct files.

Personally constructed WMA files are used at your own responsibility.

Precautions when creating MP3/WMA file

Usable sampling rates and bit rates

1. MP3: Sampling rate 8 kHz-48 kHz, Bit rate 8 kbps-320 kbps / VBR
2. WMA: Bit rate 8 kbps-320 kbps

File extensions

1. Only files with the ".MP3" or ".WMA" extension will be played.
2. The files can not be played if you attempt to play files without MP3/WMA data.
 - When VBR files are played, the displayed play time may differ from the actual play location.
 - When MP3/WMA files are played, there will be a small gap of no sound between tracks.

USB Operations

Logical format (File system)

1. The folder name and file name can be displayed as the title during MP3/WMA play but the title must be within 32 single byte alphabetical letters and numerals (including an extension).
2. Do not affix a name to a file inside a folder having the same name.

Number of files or folders

1. Up to 999 files can be recognized per folder.
Up to 99 folders can be recognized.
Up to 3000 files can be played.
2. Some noise may occur depending on the type of encoder software used while recording.

Pausing Playback

1. Press the [3] button to pause playback. "PAUSE" appears in the display.
2. To resume playback, press the [3] button again.

Selecting a Track

Track-up

1. Press the [▶▶] button to skip ahead to the beginning of the next track.
2. Each time you press the [▶▶] button, the track advances ahead to the beginning of the next track.

Track-down

1. Press the [◀◀] button to go back to the beginning of the current track.
2. Press the [◀◀] button twice to go back to the beginning of the previous track.

Fast-forward/Fast-reverse

Fast-forward

Press and hold the [▶▶] button.

Fast-reverse

Press and hold the [◀◀] button.
* USB devices containing a large amount of audio files can take several moments to begin the search and increase the delay between tracks. Additionally, some errors may occur during playback.

Folder Select

This function allows you to select a folder containing MP3/WMA files and start playing from the first track in the folder.

1. Press the [4] or [5] button.
Press the [5] button to move to the next folder. Press the [4] button to move to the previous folder.
2. To select a track, press the [◀◀] or [▶▶] button.

Search Function

1. Press the [MENU] button to enter FOLDER SEARCH mode.
2. Turn the [UP/DOWN] knob to select a folder.
3. Press the [ENT] button to enter the file list search mode. The track list appears in the display.
4. Turn the [UP/DOWN] knob to select a track.
5. Press the [ENT] button to play.
* When playing back MP3/WMA file, this function is performed in the current folder.

Top Function

The top function resets to the first track of the storage. Press and hold [3] button to play the first track (track No. 1).
* In case of MP3/WMA, the first track of the current folder will be played.

Other Playback Functions

Scan play

This function allows you to locate and play the first 10 seconds of all the tracks.

Press the [SCAN] button to perform scan play.

USB Operations

Repeat play

This function allows you to play the current track, tracks currently being played in the folder, or all the tracks repeatedly.

1. Press the [1] button once or more until "↺" appears on the display to perform repeat play for the current song.
2. Press [1] button repeatedly until "↺" appears on the display for folder repeat play.
3. Press [1] button repeatedly until "↺" disappears from the display for all tracks repeat play.

iPod, iPhone & iPad Operations

Device Connection

Connect an iPod, iPhone or iPad to the USB connector via accessory cable for iPod/iPhone/iPad.

When connecting a device, the unit will read the files automatically. The track information displays on the screen once playback starts.

MENU

Press [MENU] button, rotate the [UP/DOWN] knob to select from PLAYLIST / ARTIST / ALBUM / GENRE / SONGS / COMPOSERS / AUDIO BOOK / PODCASTS, press the [ENT] button to confirm.

Play/Pause

Press the [3] button on the panel or [▶||] on the remote control for play/pause.

Repeat Play

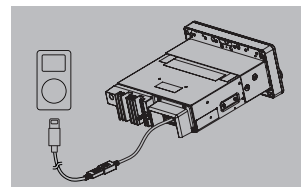
This function allows you to play the current track repeatedly or play all tracks in your iPod/iPhone/iPad repeatedly.

1. Press the [1] button until "REPEAT ONE" appears on the LCD to perform repeat the current song playing.
2. Press the [1] button until "REPEAT ALL" appears on the LCD to perform repeat play all songs.

Random play

This function allows you to play all tracks in a random order.

Press the [2] button to perform random play, and "↻" segment lights on.



3. Press [1] button repeatedly until "REPEAT OFF" appears on the LCD to cancel repeat playback.

Random Play

This function allows you to play all tracks recorded on your iPod/iPhone/iPad in a random order.

1. Press the [2] button once or more until "RANDOM ON" appears on the LCD to perform random play.
2. Press [2] button repeatedly until "RANDOM ALUM" appears on the LCD for album random play.
3. Press [2] button repeatedly until "RANDOM OFF" appears on the LCD to cancel random playback.

iPod, iPhone & iPad Operations

iPod Menu Alphabetical Search

This function searches the subfolders for desired alphabetical letters.

1. Press the [MENU] button to select the iPod menu mode.
2. Rotate the [UP/DOWN] knob to switch between categories.
PLAYLIST, ARTIST, ALBUM, GENRE, SONGS, COMPOSERS, AUDIO BOOK, PODCASTS.
3. Press the [ENT] button. (The contents of the category are displayed.)
4. Rotate the [UP/DOWN] knob to select the desired letter to search.
5. Press the [ENT] button to confirm.

Listening to Pandora®

You can stream Pandora internet radio by connecting an iPod/iPhone/iPad that has the Pandora mobile application already installed.

To start streaming, connect the iPod/iPhone/iPad with Pandora already launched.

In Pandora mode, when the unit displays "PLEASE LAUNCH PANDORA APPLICATION ON MOBILE DEVICE", please launch the Pandora Application by operating the iPod/iPhone/iPad connected.

1. Press the [⏪ / SRC] button to enter the Pandora mode.

Selecting a station from list

Press the [MENU] button and select "BY DATE" or "BY NAME" by rotating the [UP/DOWN] knob and press the [ENT] button.

- BY DATE: Listed in date created.
- BY NAME: Listed in an alphabetical order

Go to next station or previous station (in alphabetical order)

Rotate the [UP/DOWN] knob on the panel counter-clockwise to go to previous station.

Rotate the [UP/DOWN] knob on the panel clockwise or press the [BAND/TOP] button on the remote control to go to next station.

Thumbs up/down

Thumbs up:

Press the [5] button on the panel or the [RPT] button on the remote control for thumbs up. Giving a track the thumbs up will tell Pandora to play more tracks like that one.

Thumbs down:

Press the [4] button on the panel or the [SCN] button on the remote control for thumbs down. Giving a track the thumbs down will skip to the next track (subject to skip limit), and Pandora will remember not to play that track on the station again.

Notes:

- You can personalize your stations by "thumbs up" or "thumbs down".
- If you give a track the thumbs down after the skip limit has been exceeded, your feedback will be saved but the current track will continue to play.

BOOKMARK track

Short-press the [1] button to Bookmark current track.

BOOKMARK artist

Short-press the [2] button to Bookmark current artist.

Skip

Press the [▶▶] button on the panel or on the remote control for the next tracks in station.

Note:

- Pandora limits the number of skips allowed on their service. If you attempt to skip tracks beyond the limit, "SKIP LIMIT" is displayed.

Play/Pause

Press the [3] button on the panel or [▶||] on the remote control for play/pause.

Bluetooth Operations

The built-in Bluetooth in this unit allows you to wirelessly transmit music from most Bluetooth enabled devices.

Notes:

- Do not leave device in direct sunlight or exposed to high temperatures. Extreme heat can cause distortion and discoloration which may result in a malfunction.
- Some Bluetooth enabled devices may not function properly with this unit.
- Clarion cannot guarantee the compatibility of all mobile device together with unit.

BT Pairing

1. Turn on Bluetooth function of your mobile device.
2. Enter mobile device's Bluetooth setup menu.
3. Search for new Bluetooth devices.
4. Select **M608** from the pairing list on the mobile device.
5. Enter "0000" as the password if necessary (The password default setting is "0000").
6. After pairing successfully, "BT AUDIO" will appear on the LCD for 1 second.
7. Press [⏪ / SRC] button to select "BT AUDIO".
8. The unit can connect up to three devices.

Note:

During pairing, depending on type of mobile device, a six digit PIN code will be shown on both the source unit's display and the mobile device.

In this case, please make sure that you have the same PIN code on both devices, and then confirm on the mobile device.

Bluetooth Audio Streaming Operations

What is Bluetooth audio streaming (A2DP)?

Audio streaming is a technique for transferring audio data such that it can be processed as a steady and continuous stream. Users can stream music from their external audio player to their boat stereo wirelessly and listen to the tracks through the boat's speakers.

CAUTION

Please avoid operating your connected mobile phone while audio streaming, as this may cause noise interference on the song playback.

Depending on your mobile phone, audio streaming may or may not resume after a telephone interruption.

This unit will always return to Radio mode if audio streaming is disconnected.

Note:

Be sure to read the chapter "Pairing" before proceeding.

Play/Pause a Track

1. Press the [3] button or [▶||] button on the remote control to pause audio playback.
2. To resume audio playback, push the [3] button or [▶||] button on the remote control again.

Selecting a Track

Track-up

1. Press the [▶▶] button to move to the beginning of the next track.
2. Each time the [▶▶] button is pressed, playback proceeds to another track in the advancing direction.

Track-down

1. Press the [◀◀] button to move to the beginning of the previous track.
2. Each time the [◀◀] button is pressed, playback proceeds to previous track in the reverse direction.

Note:

Playing order will depend on Bluetooth audio player. When the [◀◀] button is pressed, some A2DP devices will restart the current track depending on the duration of playback. During music streaming playback, "A2DP" will be shown on the display. Information

Bluetooth Operations

about tracks (e.g. the elapsed playtime, song title, etc.) cannot be displayed on this unit. When an A2DP device is disconnected, "**NO DEVICE**" will be shown on the display and the unit will return to previously selected audio source. Some Bluetooth audio players may not have play/pause synchronized with this unit. Please make sure both device and main unit are in the same play/pause status in **BT MUSIC** mode.

ID3 Display

During music streaming playback, for music information that is longer than the display panel:

When SCROLL is ON, the LCD will display ID3 TAG information, e.g:
ALBUM -> TITLE -> ARTIST..

When SCROLL is OFF, the LCD will display one of the ID3 TAG information, the default is TRACK, but user can adjust it to other ID3 TAG information by pressing the **[ENT]** button.

AUX Operations

The rear RCA AUX terminals of this system is provided to allow playback of sounds and music from external devices connected to this unit.

Press [**⏮** / **SRC**] button on the panel to select "**AUX 1**" or "**AUX 2**".

AUX Input Sensitivity Setting

Select the following settings to set the sensitivity level of the sound from an external device connected to this system, that are difficult to hear, even after adjusting the volume.

* The factory default setting is "MID".

1. Long press the **[MENU]** button.
2. Press the **[▶▶]** button until "**AUX SENSE**" appears in the display.
3. Rotate the **[UP/DOWN]** knob to select "**HIGH**", "**MID**" or "**LOW**".

Note:

- When AUX mode is selected, AUX IN sensitivity can be set.

MTP Operations

Media Transfer Protocol (MTP) allows the M608 to connect and play media from your Android device.

1. Open the MTP function of your Android device. This is generally found in the USB settings section.
2. Connect the Android device to the M608 via a USB cable.
3. The unit will play the media on your Android device automatically.

6. TROUBLE SHOOTING

GENERAL

Problem	Cause	Measure
Unit can not power on.	Unit fuse blown.	Replace with new fuse of correct rating.
	Boat battery fuse blown.	Replace with new fuse of correct rating.
No/low audio output.	Improper audio output connection.	Check wiring and correct.
	Volume set too low.	Increase volume level.
	Speakers damaged.	Replace speakers.
	Heavily biased volume balance.	Adjust the channel balance to center position.
	Speaker wiring is in contact with metal part of boat.	Insulate all speaker wiring connections.
Poor sound quality or distortion	Speaker power rating does not match unit.	Replace speakers.
	Wrong connections.	Check wiring and correct.
	Speaker is shorted.	Check wiring and correct.
Unit resets itself when engine is off.	Incorrect connection between ACC and Battery.	Check wiring and correct.

USB

Problem	Cause	Measure
USB device cannot be inserted.	The USB device has been inserted with wrong direction.	Reversing the connection direction of the USB device, try it again.
	The USB connector is broken.	Replace with a new USB device.
USB device is not recognized.	The USB device is damaged.	Disconnect the USB device and reconnect. If the device is still not recognized, try replacing with a different USB device.
	Connectors are loose.	
No sound heard with the display "No File" shown.	No MP3/WMA file is stored in the USB device.	Store these files properly in the USB device.
Sound skips or is noisy.	MP3/WMA files are not encoded properly.	Use MP3/WMA files encoded properly.

SiriusXM Advisory Messages

Message	Description
CHECK TUNER	Check the SiriusXM tuner connection on the back of the unit to ensure that it is correctly connected.
CHECK ANTENNA	Ensure the SiriusXM antenna cable is connected to the SiriusXM tuner correctly. Check the SiriusXM antenna wire for breaks or sharp bends. Replace the antenna if necessary. SiriusXM products are available at your local car audio retailer or online at www.shop.siriusxm.com .
NO SIGNAL	The antenna must have a clear view of the southern sky. The magnetic antenna must be mounted on the outside of the boat for the best reception. Note: The unit does not have a signal strength indicator on LCD.
CHAN UNSUB	This channel is not included in your SiriusXM subscription plan. In the U.S.A., visit www.siriusxm.com or call 1-866-635-8634 if you have questions about your subscription package or would like to subscribe to this channel. In Canada, visit www.siriusxm.ca or call 1-888-539-7474.
CH UNAVAIL	This channel is not a valid SiriusXM channel. The channel number has been entered incorrectly, or the channel was removed from the SiriusXM channel lineup. Visit www.siriusxm.com for more information about the SiriusXM channel lineup.
CH LOCKED	The selected channel has been locked by the parental controls, or a mature channel has been selected. A prompt to enter the unlock code will appear. Enter the unlock code as described on page 10.
SUBSCRIPTN UPDATED	An update to your SiriusXM subscription has been received by the SiriusXM tuner. Press any button to continue.

Bluetooth

Problem	Cause	Measure
Cannot pair the Bluetooth enabled device with the boat audio system.	The device does not support the profiles required for the system.	Use another device to connect.
	The Bluetooth function of the device is not enabled.	Refer to the user manual of the device for how to enable the function.
The audio quality is poor after connection with a Bluetooth-enabled device.	The internal microphone gain is not set correctly.	Adjust the gain of the internal microphone in System Setup.

7. ERROR DISPLAYS

If an error occurs, one of the following errors is displayed. Take the measures described below to solve the problem.

Display	Cause	Measure
ERROR 2	Does not support iPod, iPhone & iPad.	Change another device. * The head unit will return to RADIO mode.

If an error display other than the ones described above appears, access the system settings and reset the unit to defaults. If the problem persists, turn off the power and consult your store of purchase.

- * When the unit is reset to defaults, preset radio stations, titles, etc. are stored in memory are cleared.

8. SPECIFICATIONS

FM Tuner

Frequency Range:
 North America: 87.9 - 107.9MHz
 Europe: 87.5 - 108MHz
 Asia & Australia: 87.5 - 108MHz
 Usable Sensitivity: 8 dB μ V
 Alternate Channel Selectivity: 60 dB
 Stereo Separation (1 kHz): 30 dB
 Frequency Response (± 3 dB):
 30 Hz - 15 kHz

AM Tuner

Frequency Range:
 North America: 530 kHz - 1710 kHz
 Europe: 531 kHz - 1602 kHz
 Asia & Australia: 531 kHz - 1629 kHz
 Usable Sensitivity: 28 dB μ V

WB Tuner

Frequency Range: 162.400 - 162.550 MHz
 Step length: 25 kHz

MP3/WMA mode

MP3 sampling rate: 8 kHz - 48 kHz
 MP3 bit rate: 8 kbps - 320 kbps / VBR
 WMA bit rate: 8 kbps - 320 kbps
 Logical format: ISO9660 level 1,2
 Joliet file system

USB

Specification: USB 1.1
 USB Power Supply: DC 5V, 2.1 Amps
 Playable audio format:
 MP3 (.mp3): MPEG 1/2/Audio Layer-3
 WMA (.wma): Ver 7/8/9.1/9.2

Bluetooth

Specification: Bluetooth Ver. 2.1+EDR
 Profile:
 A2DP (Advanced Audio Distribution Profile)
 AVRCP (AV Remote Control Profile)
 Send/Receive Sensitivity: Class 2
 Operating Frequency: 2402 MHz to 2480 MHz
 RF Output Power : ≤ 20 dBm

Audio Amplifier

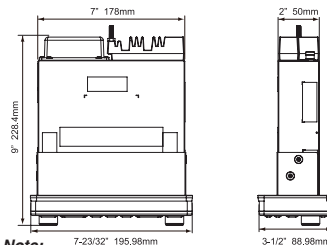
Maximum Power Output: 180 W (45 W \times 4 ch)
 Bass Control Action (100 Hz): +6 dB, -6 dB
 Treble Control Action (10 kHz): +6 dB, -6 dB
 Line Output Level (USB 1 kHz): 4 V

Input

Audio input sensitivity:
 High: 320mV (at 1V output)
 Mid: 650mV (at 1V output)
 Low: 1.3V (at 1V output)
 (input impedance 10 k Ω or greater)
 Aux-in level: ≤ 2 V

General

Power supply voltage:
 14.4VDC (10.8 - 15.6V allowable),
 negative ground
 Pre-Amp output voltage:
 4.0V (USB play mode: 1kHz, 0dB, 10k Ω load)
 Fuse: 15A
 Dimensions of the Main Unit:
 195.98mm Width \times 88.98mm Height \times 228.4mm
 Depth
 7-23/32 Width \times 3-1/2 Height \times 9 Depth
 Weight of the Main Unit: 3.08 lb. (1.44 kg)
 Dimensions of the Remote Control unit:
 43mm Width \times 11mm Height \times 113mm Depth
 1-2/3 Width \times 2/5 Height \times 4-2/5 Depth
 Weight of the Remote Control Unit:
 1.16oz. (36g) (including battery)



Note: 7-23/32" 195,98mm 3-1/2" 88,98mm

- Specifications and design are subject to change without notice for further improvement.

Power Output:
 18W RMS \times 4 Channels at 4 Ω
 and 1% THD+N

Signal to Noise Ratio:
 94dB (reference: 1W into 4 Ω)



9. INSTALLATION / WIRE CONNECTION GUIDE

CONTENTS

1) Before Starting	16
2) Package Contents	16
3) General Preautions	16
4) Cautions on Installation	16
5) Installing the Source Unit	16
6) Cautions on Wiring	17
7) Sample Systems	17
8) Wiring and Connections	18~20
9) Connecting the accessories	18~20

1) Before Starting

1. This set is intended exclusively for use with a negative ground 12V power supply.
2. Read these instructions carefully.
3. Be sure to disconnect the battery "terminal" before starting. This is to prevent short circuits during installation. (Figure 1)

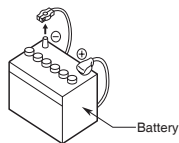


Figure 1

2) Package Contents

Source unit	1	M4 Nut	1
Aux output cable	1	M4 washer	2
Aux input cable	1	Screws M4 x 30 mm	6
SiriusXM / SWC cable	1	Power supply cable	1
Wired remote cable	1	Owner's manual	1
Hole block seal (black)	1	Warranty card	1
Support strap	1		

3) General Precautions

1. Do not open the case. There are no user serviceable parts inside. If you drop anything into the unit during installation, consult your dealer or an authorized **Clarion** service center.
2. Use a soft, dry cloth to clean the case. Never use a rough cloth, thinner, benzine, or alcohol etc. For tough dirt, apply a damp soft cloth and wipe dirt off gently.

4) Cautions on Installation

1. Prepare all articles necessary for installing the source unit before starting.
2. Install the unit within 30° of the horizontal plane. (Figure 2)
3. If you have to do any work on the boat body, such as drilling holes, consult your boat dealer beforehand.
4. Use the enclosed screws for installation. Using other screws can cause damage. (Figure 3)

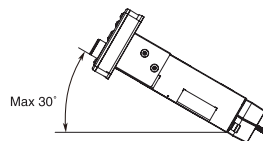


Figure 2

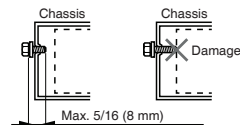


Figure 3

5) Installing the Source Unit

• Marine stereo mounting dimensions

Using the supply template to cut the hole and drill the holes. (Figure 4)

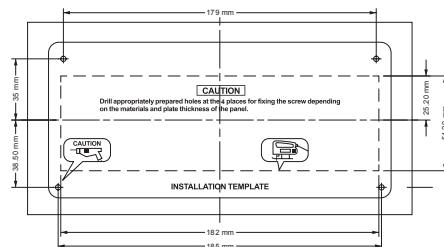


Figure 4

CAUTION

Drill appropriately prepared holes at the 4 places for fixing the screw depending on the materials and plate thickness of the panel.

1. Insert the source unit into the cutout hole until to the end. (Figure 5)
2. Using the supply screws (M4 × 30) to secure the source unit. (Figure 5)
3. Using support strap to secure the source unit on the back side by supply M4 nut. (Figure 5)

Note:

Some boat models require special mounting kits for proper installation. Consult your **Clarion** dealer for details.

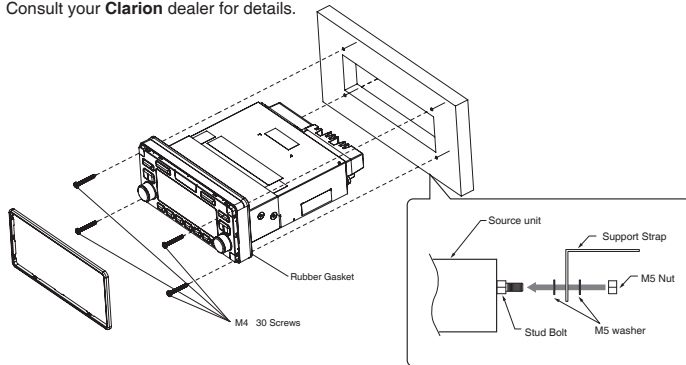


Figure 5

Note:

Confirm that the rubber gasket is fastened securely to the base panel.

6) Cautions on Wiring

1. Be sure to turn the power off when wiring.
 2. Be particularly careful where you route the wires. Keep them well away from the engine, exhaust pipe, etc. Heat may damage the wires.
 3. If fuse is blown, check that the wiring is correct. If it is, replace the fuse with a new one with the same amperage rating as the original one.
 4. To replace the fuse, open the lock on the source unit side, remove the old fuse and insert the new one. (Figure 6)
- * There are various types of fuse cases. Do not let the battery side terminal touch other metal parts.

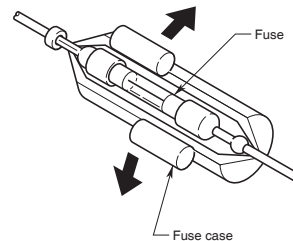
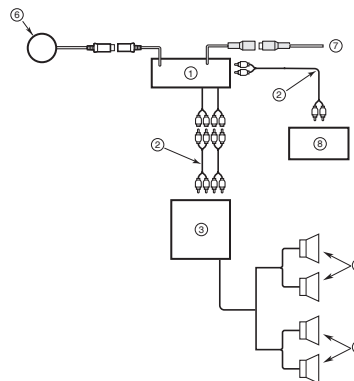


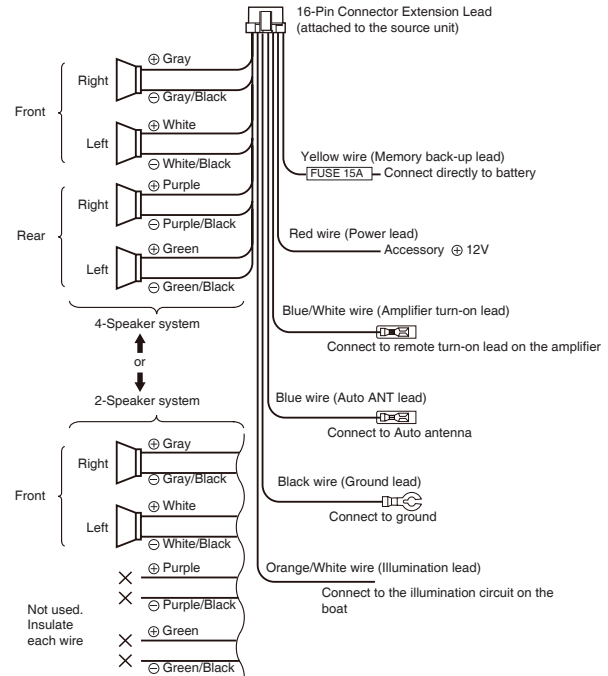
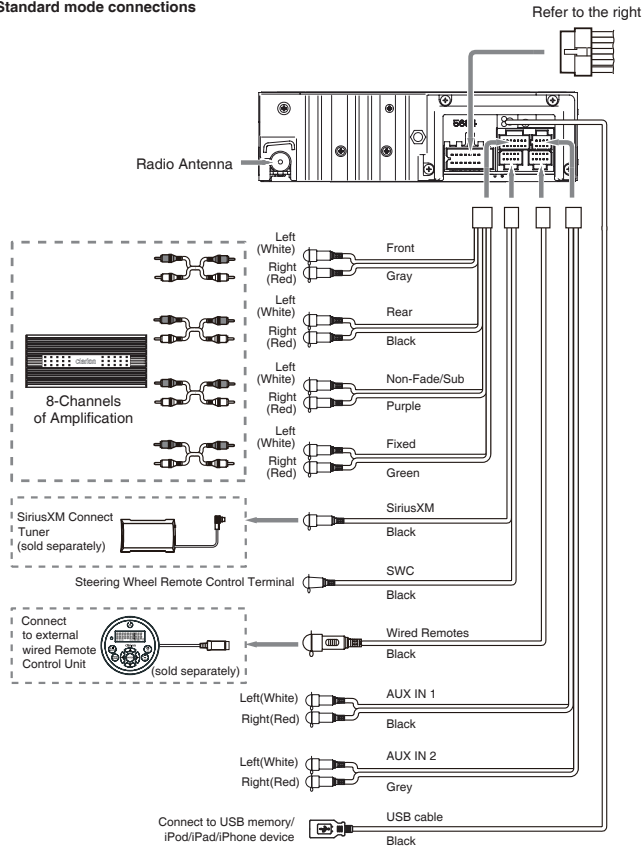
Figure 6

7) Sample Systems

1	Source unit
2	RCA extension cable (sold separately)
3	4-Channel power amplifier
4	Front speakers
5	Rear speakers
6	Wired remote control unit
7	SiriusXM-Connect Boat Tuner
8	AUX

8) Wiring and Connections

Standard mode connections



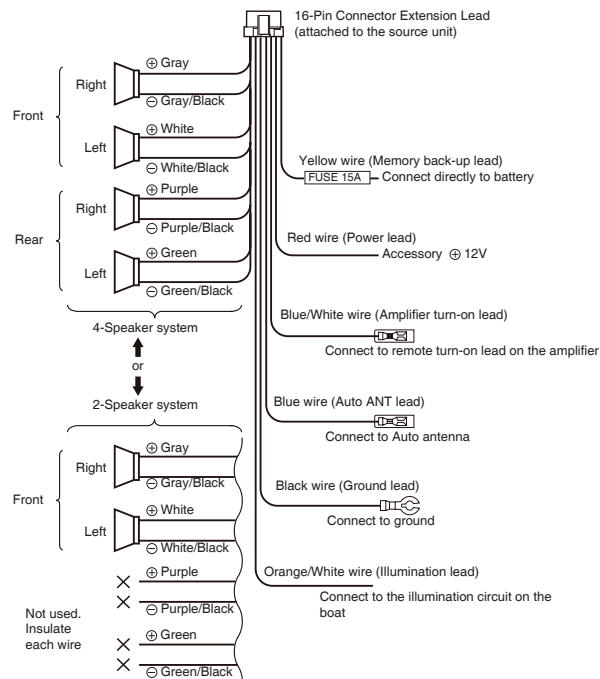
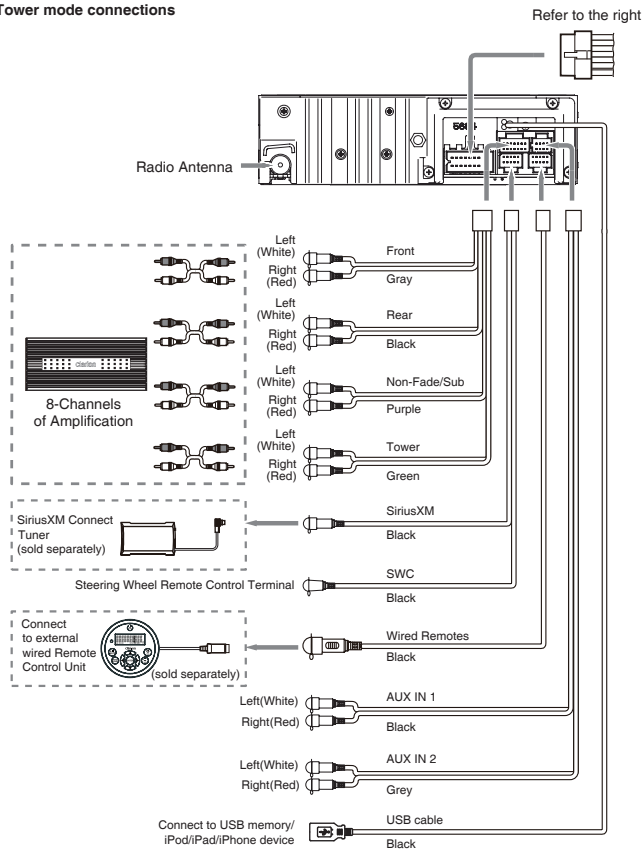
9) Connecting to External Amplifiers

Connecting to External Amplifiers

- External amplifiers can be connected to the 4 channel RCA output connections. Ensure that the connectors are not grounded or shorted to prevent damage to the unit.
- If M608 is connected as a MULTI-ZONE system with Zone 3 and Zone 4 RCAs connected to amplifiers, do not switch M608 to STANDARD mode. Doing so will cause the Zone 3 amplifier to reproduce only low frequencies and the Zone 4 amplifier to reproduce full range frequencies at maximum volume. This may result in potential speaker and/or hearing damage.
 - If M608 is connected as a TOWER configuration with Fixed/Zone4 RCAs connected to an amplifier, do not switch M608 to STANDARD mode. Doing so will cause Fixed/Zone4 amplifier to reproduce a full range of frequencies at maximum volume. This may result in potential speaker and/or hearing damage.

8) Wiring and Connections

Tower mode connections



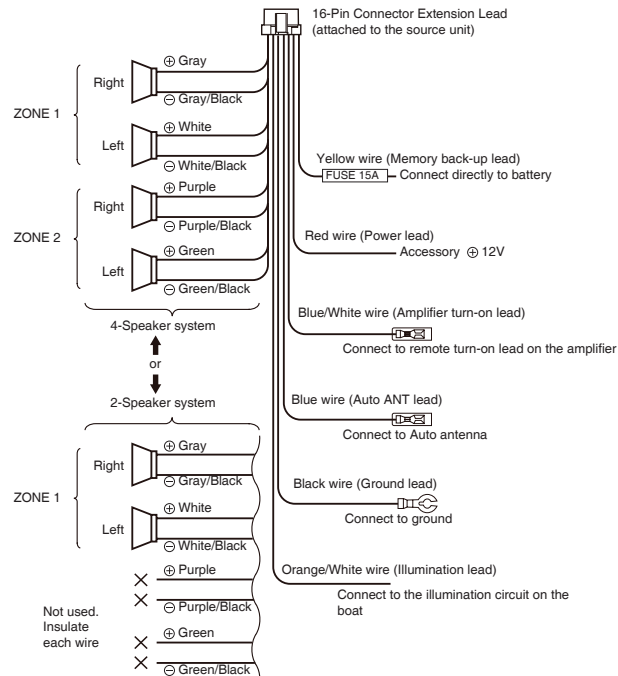
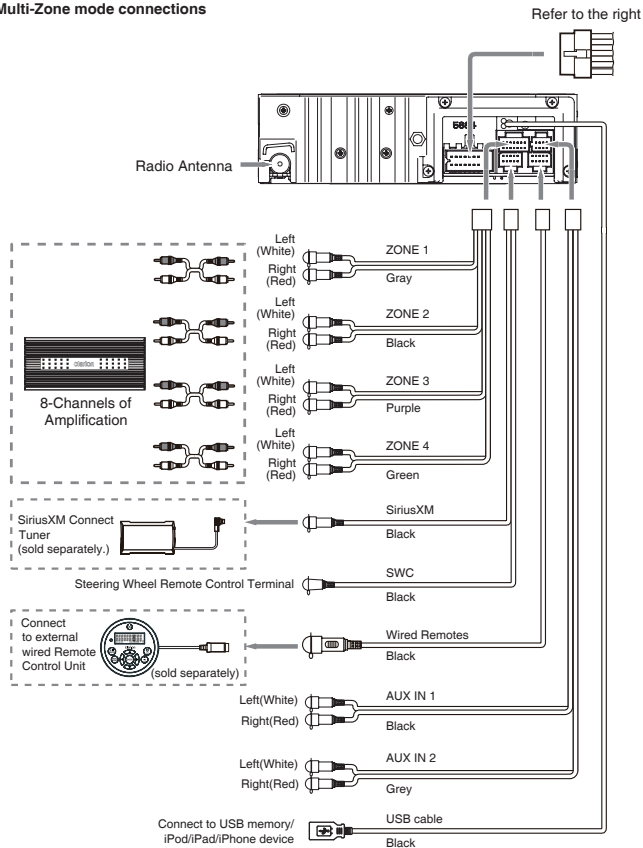
9) Connecting to External Amplifiers

Connecting to External Amplifiers

- External amplifiers can be connected to the 4 channel RCA output connections. Ensure that the connectors are not grounded or shorted to prevent damage to the unit.
- If M608 is connected as a TOWER configuration with Fixed/Zone4 RCAs connected to an amplifier, do not switch M608 to STANDARD mode. Doing so will cause Fixed/Zone4 amplifier to reproduce a full range of frequencies at maximum volume. This may result in potential speaker and/or hearing damage.
 - If M608 is connected as a TOWER configuration with Fixed/Zone4 RCAs connected to an amplifier, do not switch M608 to STANDARD mode. Doing so will cause Fixed/Zone4 amplifier to reproduce a full range of frequencies at maximum volume. This may result in potential speaker and/or hearing damage.

8) Wiring and Connections

Multi-Zone mode connections



9) Connecting to External Amplifiers

Connecting to External Amplifiers

- External amplifiers can be connected to the 4 channel RCA output connections. Ensure that the connectors are not grounded or shorted to prevent damage to the unit.
- If M608 is connected as a MULTI-ZONE system with Zone 3 and Zone 4 RCAs connected to amplifiers, do not switch M608 to STANDARD mode. Doing so will cause the Zone 3 amplifier to reproduce only low frequencies and the Zone 4 amplifier to reproduce full range frequencies at maximum volume. This may result in potential speaker and/or hearing damage.
 - If M608 is connected as a TOWER configuration with Fixed/Zone4 RCAs connected to an amplifier, do not switch M608 to STANDARD mode. Doing so will cause Fixed/Zone4 amplifier to reproduce a full range of frequencies at maximum volume. This may result in potential speaker and/or hearing damage.

Notes:

INFORMATIONS DE L'ENREGISTREMENT DE PRODUITS CLARION

Pour les États-Unis et le Canada seulement
www.clarion.com

Cher client,

Nous vous remercions d'avoir acheté ce produit électronique mobile Clarion. Nous sommes confiants que vous apprécierez votre expérience Clarion.

Il y a beaucoup d'avantages à enregistrer votre produit. Nous vous invitons à visiter notre site Web www.clarion.com pour enregistrer votre produit Clarion.

Nous avons facilité la tâche de l'enregistrement de produit sur notre site Web. Le formulaire d'enregistrement est court et facile à compléter. Une fois enregistré(e), nous pouvons vous tenir informé(e) des informations importantes sur les produits.

Enregistrez-vous sur www.clarion.com - c'est facile de mettre à jour votre produit Clarion.

Veillez consulter périodiquement le site Web de Clarion pour obtenir des mises à jour et améliorations logicielles de votre produit Clarion. Vous trouverez ces mises à jour sous l'onglet « Get Support » (Obtenir du soutien), puis « Software Update / Download » (Mises à jour logicielles/téléchargement).

Conformément aux réglementations d'Industrie Canada, cet émetteur radio peut fonctionner uniquement avec une antenne d'un certain type et d'un gain maximal (ou inférieur) approuvés par Industrie Canada pour l'émetteur en question. Pour limiter les éventuelles interférences radio avec d'autres utilisateurs, le type d'antenne et son gain doivent être choisis de manière à ce que la puissance isotrope rayonnée équivalente (p.i.r.e.) ne dépasse pas la limite nécessaire à une bonne communication.

Table des matières

Nous vous remercions d'avoir fait l'acquisition de ce produit **Clarion**.

- Lisez intégralement ce guide d'utilisation avant de faire fonctionner l'appareil.
- Prenez connaissance du contenu de la carte de garantie ci-jointe et rangez-la dans un lieu sûr avec ce manuel.

1. CARACTÉRISTIQUES	23
2. PRÉCAUTIONS	23
Panneau avant / Informations générales.....	24
Port USB.....	24
3. COMMANDES	25
Panneau de commande	25
Télécommande (RCX001 : vendue séparément)	26
Remarques concernant l'utilisation de la télécommande en option	26
Fonctionnement de la télécommande filaire en option.....	27
Commande de zone	27
5. FONCTIONNEMENT	28
Fonctionnement de base	28
Configuration système	28
Configuration audio	29
Commandes du syntoniseur.....	30
Fonctionnement de la radio satellite SiriusXM	30
Commandes USB.....	31
Commandes Pod, iPhone et iPad.....	32
Commandes Bluetooth.....	33
Fonctionnement AUX	34
6. DÉPANNAGE	35
7. AFFICHAGES D'ERREUR	36
8. SPÉCIFICATIONS TECHNIQUES	36
9. GUIDE D'INSTALLATION / DE CÂBLAGE	37

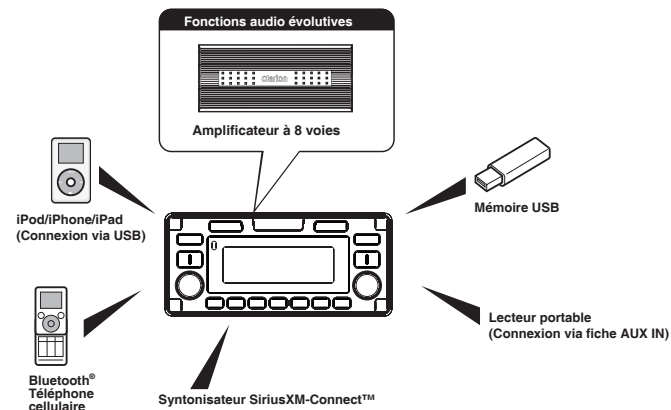
1. CARACTÉRISTIQUES

- Compatible avec iPod® / iPhone® / iPad® avec l'application de radio Internet Pandora®
- SiriusXM-Ready™ (syntonisateur et abonnement requis et vendus séparément)
- Sortie RCA 8 canaux et BEAT-EQ avec égaliseur paramétrique 3 bandes

USB MP3/WMA Made for iPod iPhone iPad

Bluetooth® pandora® ((SiriusXM))
READY

Options système évolutives



Remarque :

• Les articles mentionnés indiquent uniquement les options de connectivité et ne sont pas inclus dans cet appareil.

2. PRÉCAUTIONS

⚠ AVERTISSEMENT

Pour votre sécurité, le conducteur ne doit pas faire fonctionner l'appareil en conduisant. De plus, lorsque vous conduisez, réglez le volume suffisamment bas pour entendre les bruits extérieurs tels que des voix et des sirènes.

1. Si la température ambiante du bateau est particulièrement froide et que vous utilisez le lecteur peu de temps après la mise en fonction de la chauffette, de l'humidité risque de se former sur les circuits internes du lecteur et interférer avec la qualité de la lecture. En cas de formation d'humidité à l'intérieur du lecteur, attendez environ une heure avant de l'utiliser. La condensation se dissipera d'elle-même, rétablissant ainsi le fonctionnement normal de ce lecteur.
2. Le fonctionnement de cet appareil repose sur l'utilisation de pièces et de composants de précision. En cas de problèmes de fonctionnement, n'ouvrez jamais le boîtier pour démonter l'appareil ou lubrifier les pièces mobiles. Contactez votre concessionnaire Clarion ou le centre d'entretien.
3. DÉCLARATION DE CONFORMITÉ FCC

1. Cet appareil est conforme à l'alinéa 15 de la réglementation FCC. Son fonctionnement est assujéti aux deux conditions suivantes :

(1) Cet appareil ne doit pas être à l'origine d'interférences dangereuses.

(2) Cet appareil doit accepter toute interférence reçue, y compris celles susceptibles d'altérer son bon fonctionnement.

2. Les changements ou modifications qui ne sont pas expressément approuvés par la partie responsable de la conformité peuvent faire perdre à l'utilisateur son droit à utiliser l'équipement.

REMARQUE :
Cet appareil a été testé et déclaré conforme aux limites établies pour des appareils numériques de classe B, en vertu des dispositions de l'alinéa 15 de la réglementation FCC. Ces limites sont destinées à fournir une protection raisonnable contre les interférences nuisibles dans le cadre d'une installation domestique.

Le présent équipement utilise et peut émettre des radiofréquences susceptibles, à défaut d'une installation adéquate et d'une utilisation conforme aux instructions, de produire des interférences dangereuses pour les communications radio. Rien ne peut toutefois

garantir que ce brouillage ne surviendra pas dans une installation donnée. S'il s'avère que ce produit provoque un brouillage nuisible à la réception radio ou télévisuelle, ce que permet de constater la simple mise en route et fermeture de l'appareil, vous êtes alors invité à tenter de corriger l'interférence en effectuant une ou plusieurs des corrections suivantes :

- Réorienter ou déplacer l'antenne de réception.
- Augmenter la distance entre l'équipement et le récepteur.
- Brancher l'équipement dans la prise d'un circuit différent de celui auquel le récepteur est connecté.
- Consulter le concessionnaire ou un technicien radio/TV expérimenté pour toute assistance.

Déclaration de la FCC sur l'exposition aux rayonnements.
Cet équipement est conforme aux limites d'exposition aux rayonnements de la FCC dans un environnement non contrôlé. Cet équipement doit être installé et utilisé en mettant une distance minimum de 20 cm entre l'appareil et vous-même.

4. Les mentions « Fabriqué pour iPod », « Fabriqué pour iPhone » et « Fabriqué pour iPad » signifient qu'un accessoire électronique a été spécifiquement conçu pour être connecté à un iPod, un iPhone ou un iPad, et qu'il est certifié par le développeur pour répondre aux normes de performance Apple.

Apple n'est pas responsable du fonctionnement de ces appareils ni de leur conformité aux normes de sécurité et réglementaires.

Veillez noter que l'utilisation de cet accessoire avec un iPod, un iPhone ou un iPad peut affecter la performance sans fil.

iPod, iPhone, iPad et iTunes sont des marques de commerce d'Apple Inc., déposées aux États-Unis et dans d'autres pays.

Appareils iPod/iPad/iPhone pris en charge :

iPhone 6s plus

iPhone 6s

iPhone 6 plus

iPhone 6

iPhone 5S

iPhone 5C

iPhone 5

iPad Mini4

iPad Air2

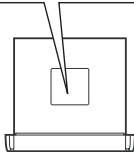
iPod touch (6th generation)

iPod touch (5th generation)

- Pandora, le logo Pandora et l'emballage Pandora sont des marques de commerce ou des marques déposées de Pandora Media, Inc. utilisées avec une permission. Pandora n'est disponible que dans certains pays. Pour en savoir plus, rendez-vous sur pandora.com legal.

Si vous rencontrez des problèmes avec l'application Pandora sur votre téléphone cellulaire, veuillez-vous adresser à pandora-support@pandora.com.

- La marque du mot Bluetooth et ses logos sont des marques déposées de Bluetooth SIG, Inc., et toute utilisation de cette marque par Clarion Co., Ltd se fait sous licence. Les autres marques de commerce et noms de marques sont ceux de leurs détenteurs respectifs.
- SiriusXM ainsi que toutes les marques et logos connexes sont des marques de commerce de Sirius XM Radio, Inc. Tous droits réservés.
- Avertissement IC
Le présent appareil est conforme aux CNR d'Industrie Canada applicables aux appareils radio exempts de licence. L'exploitation est autorisée aux deux conditions suivantes :
(1) l'appareil ne doit pas produire de brouillage, et
(2) l'utilisateur de l'appareil doit accepter tout brouillage radioélectrique subi, même si le brouillage est susceptible d'en compromettre le fonctionnement.



RENSEIGNEMENTS À L'INTENTION DES UTILISATEURS :

Tout changement ou modification apporté à ce produit et non autorisé par le fabricant constituera une violation de l'accord FCC et aura pour effet d'annuler la garantie.

Panneau avant / Informations générales

Pour assurer une plus grande longévité du produit, lisez les précautions suivantes.

- Ne laissez aucun liquide ou fluide pénétrer dans l'appareil pour ne pas risquer d'endommager les circuits internes.
- Ne tentez pas de démonter ou modifier l'appareil d'une quelconque façon. Vous risqueriez de l'endommager.
- Attention à ne rien laisser brûler l'écran. qui pourraient abimer ou déformer le boîtier.
- En cas de problème, ramenez l'appareil au vendeur pour le faire contrôler.
- L'exposition du capteur de la télécommande à la lumière directe du soleil peut affecter le bon fonctionnement de celle-ci.

Nettoyage du boîtier

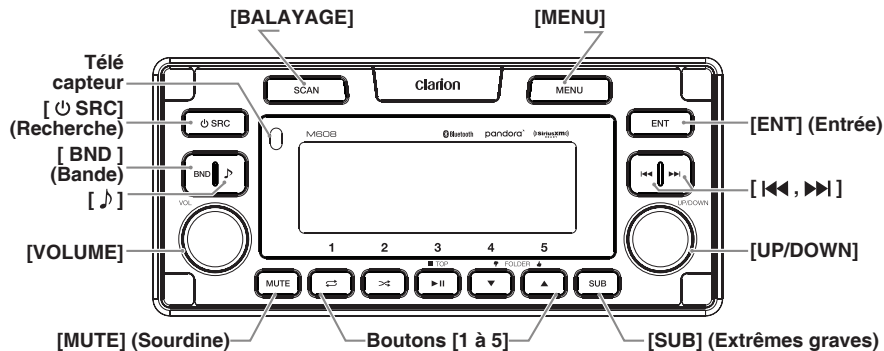
- Utilisez un chiffon doux et sec pour éliminer délicatement toute trace de saleté ou de poussière.
- En cas de traces tenaces, appliquez sur un chiffon un détergent neutre dilué dans de l'eau et essuyez délicatement les traces, puis séchez avec un chiffon sec.
- N'utilisez pas de benzène, de diluant, de nettoyant pour bateau, etc. Ces substances peuvent endommager le boîtier ou écailler la peinture. De plus, le contact prolongé de produits en plastique ou caoutchouc sur le boîtier peut finir par le tacher.

Port USB

- Pour bien fonctionner, les clés USB doivent être reconnues comme dispositifs « USB ». Certains modèles peuvent mal fonctionner. **Clarion ne peut être, en aucune circonstance, tenue responsable de tout dommage éventuel associé à la perte ou la détérioration accidentelle des données enregistrées.** Si vous utilisez une clé USB, nous vous recommandons de sauvegarder les données (musique) avant de vous en servir sur un ordinateur.
- Lors de l'utilisation de clés USB, il arrive que les fichiers de données (musique) soient endommagés dans les conditions suivantes : Si l'on retire la clé USB ou si l'on éteint l'appareil pendant la lecture des données. L'électricité statique et/ou une surcharge électrique peut endommager le contenu de la clé USB. Lors de la connexion/déconnexion de la clé USB lorsqu'elle n'est pas utilisée.
- Déconnectez la clé USB lorsqu'elle n'est pas utilisée.

3. COMMANDES

Panneau de commande



Noms des boutons

Bouton [/ SRC] (Recherche)

- Pour changer de source audio
- Marche / arrêt (pression longue)

Bouton [] (Bande)

- Mode **RADIO** – Sélection de la bande de fréquences

Bouton []

- Réglages audio (pression brève)
- Lien de zone (pression longue)

Bouton [VOLUME]

- Réglage du volume

Bouton [SCAN] (Balayage)

- Mode **RADIO** – Bouton balayage / Mémorisation automatique (pression longue)

Bouton [MENU]

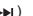
- Mode **USB** – Fonction Rechercher
- Mode **iPod** – Menu iPod

- Mode **Pandora** – Sélection de station
- Mode **SiriusXM** – Relecture immédiate
- Dans le menu/liste des fichiers – Retour
- Mode **Tuner** (Syntonisation) – Aucune fonction
- Mode **AUX** – Aucune fonction
- Mode réglage (pression longue)

Bouton [ENT] (Entrée)

- Changement d'affichage (pression brève)
- DISP off (Affichage désactivé) (pression longue)

Boutons [<< >>]

- Mode **RADIO** – Syntonisation manuelle / Recherche automatique (pression longue)
- Mode **USB/iPod**
 - Piste précédente / suivante
 - Avance rapide / Retour rapide (pression longue)
- Mode **Pandora** – Sauter la piste ()
- Mode **SiriusXM** – Canal suivant/précédent

Bouton [UP/DOWN] (Vers le haut/vers le bas)

- Mode **Radio** – Pour passer à d'autres stations que les stations présélectionnées
- Mode **USB** – Sélectionner un dossier/fichier
- Mode **Pandora** – Sélectionner le mode recherche/station
- Mode **radio SiriusXM** – Sélectionner la catégorie / (fonctionne en modes catégorie et canal)

Bouton [MUTE] (Sourdine)

- Couper le volume

Boutons [1 à 5]

- [1] Bouton : Lecture répétitive / Station présélectionnée 1 / Station en mémoire de présélection 1 (pression longue) / Mode **Pandora** – Ajout d'un signet à la piste
- [2] Bouton : Lecture aléatoire / Station présélectionnée 2 / Station en mémoire de présélection 2 (pression longue) / Mode

Pandora – Ajout d'un signet à l'artiste

- [3] Bouton : Lecture/Pause / Station présélectionnée 3 / Station en mémoire de présélection 3 (pression longue) Remarque : La fonction « Relecture » permet la Lecture/Pause
- Bouton [4] : Dossier précédent / Station présélectionnée 4 / Station en mémoire de présélection 4 (pression longue) / Mode **Pandora** – Pouce en bas
- Bouton [5] : Dossier suivant / Station présélectionnée 5 / Station en mémoire de présélection 5 (pression longue) / Mode **Pandora** – Pouce en haut

Bouton [SUB] (Extrêmes graves)

- Menu Extrêmes graves (pression brève)
- Mode **SiriusXM** – Sélection directe (pression longue)

Télécommande (RCX001 : vendue séparément)

Bouton [SRC / ↕] (Recherche)

- Pour changer de source audio
- Marche / arrêt (pression longue)

Boutons [◀ / ▶]

- Mode **Radio** - Recherche manuelle de la station précédente ou suivante / Recherche-synchronisation de la station précédente ou suivante (pression longue)
- Piste précédente/suivante
- Mode **SiriusXM** - Canal précédent ou suivant / Exploration rapide des canaux (pression longue)
- Mode **Pandora** – Sauter

Bouton [SCN/PS/AS]

- Lecture par exploration / Balayage des présélections
- Mémorisation automatique (pression longue)
- Mode **Pandora** – Pouce en bas
- Mode **SiriusXM** – Balayage de canaux (dans la catégorie en cours) / Balayage des présélections (pression longue)

Bouton [BAND/TOP] (Bande/première plage)

- Mode **USB** – Lecture de la première plage
- Mode **RADIO** – Sélection de la bande de fréquences
- Mode **SiriusXM** – Sélection de la bande de fréquences/du mode d'exploration par catégorie (pression longue)

Boutons [▲ / ▼]

- Monter/baisser le volume

Bouton [▶||]

- Lecture/Pause

Bouton [ISR]

- Aucune fonction

Bouton [DISP] (Afficher)

- Changement d'affichage

Bouton [RDM] (Aléatoire)

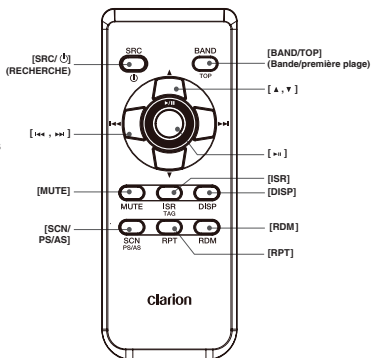
- Random play (Lecture aléatoire)
- Mode **Pandora** – Pouce en haut

Bouton [RPT] (Répéter)

- Repeat play (Lecture répétitive)
- Mode **Pandora** – Ajout d'un signet à la piste / l'artiste (pression longue)

Bouton [MUTE] (Sourdine)

- Coupe le volume

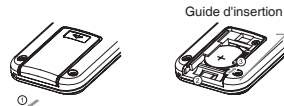


Remarques concernant l'utilisation de la télécommande RCX001 en option

1. Dirigez la télécommande vers le télécapteur de l'appareil.
2. Retirez la pile ou introduisez un isolateur de pile si la télécommande doit rester inutilisée pendant un mois ou plus.
3. NE rangez PAS la télécommande dans un lieu exposé à une température élevée ou à la lumière directe du soleil pour ne pas en altérer le fonctionnement.
4. Utilisez uniquement une pile bouton au lithium « CR2025 » (3V).
5. NE PAS recharger, démonter, chauffer ou jeter la pile dans un feu ou de l'eau.
6. Insérez la pile dans le bon sens en respectant les polarités (+) et (-).
7. Rangez la pile dans un lieu inaccessible aux enfants pour éviter tout accident.

Insertion de la pile

1. Faites glisser le couvercle au dos de la télécommande dans la direction indiquée.
2. Placez la pile (CR2025) dans les guides d'insertion, face imprimée (+) vers le haut.
3. Enfoncez la pile dans le compartiment comme illustré.
4. Remettez le couvercle et faites-le coulisser jusqu'à ce qu'il s'enclenche en position.

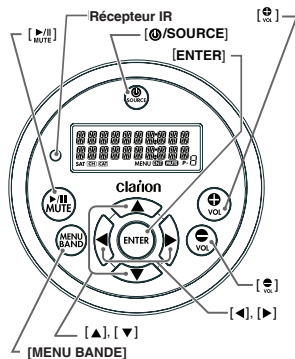


Fonctionnement de la télécommande filaire en option

Fonctions de la télécommande filaire Clarion en option.

Remarque :

Si la télécommande est connectée à l'appareil lorsqu'il est allumé, veuillez le redémarrer et/ou le réinitialiser pour connecter la télécommande filaire au système.



ATTENTION

Diminuez le volume avant de mettre l'appareil source hors tension. L'appareil source conserve le dernier réglage de volume.

AVERTISSEMENT

NE PAS EXPOSER L'APPAREIL À L'EAU LORSQUE LE PANNEAU AVANT EST OUVERT POUR ÉVITER D'ENDOMMAGER L'APPAREIL OU DE PROVOQUER SON DYSFONCTIONNEMENT!

Bouton [SOURCE] (Recherche)

- Appuyez sur le bouton [SOURCE] pour la mise en marche, et appuyez à nouveau dessus en le maintenant enfoncé (1 seconde) pour éteindre l'appareil.
- Chaque fois que vous appuyez sur le bouton [SOURCE], le mode change.

Remarque :

- Si le matériel mentionné ci-dessus n'est pas branché, il n'est pas possible de sélectionner le mode correspondant.

Bouton [ENTER] (Entrée)

- Mode **RADIO** – Aucune fonction
- Mode **USB** – Aucune fonction
- Mode **iPod** – Confirmer (en mode Menu)
- Mode **AUX** – Aucune fonction
- Mode **Pandora** – Aucune fonction
- Mode **SiriusXM** – Confirmer (en mode Menu)

Boutons [▲], [▼]

- Appuyez sur le bouton [▲] pour augmenter le volume.
- Appuyez sur le bouton [▼] pour baisser le volume.

Boutons [◀], [▶]

- Mode **RADIO** – Station précédente-suivante/ Rechercher précédent-suivant (pression longue)
- Mode **USB** – Piste précédente-suivante/Avance-retour rapide (pression longue)
- Mode **iPod** – Piste précédente-suivante / Avance-retour rapide (pression longue)
- Mode **AUX** – Aucune fonction
- Mode **Pandora** – Sauter la piste (▶)
- Mode **SiriusXM** – Canal précédent-suivant / Syntonisation rapide précédent-suivant – (pression longue) / Déplacer le curseur (mode direct) / Canal précédent-suivant dans la catégorie en cours (mode Catégorie)

Fonctionnement de la télécommande filaire en option

Boutons [▲], [▼]

- Mode **RADIO** – Station présélectionnée précédente/suivante
- Mode **USB** – Aucune fonction
- Mode **iPod** – Naviguer (en mode Menu)
- Mode **AUX** – Aucune fonction
- Mode **Pandora** – Aucune fonction

Touche [MENU/BAND]

- Chaque fois que le bouton est enfoncé, la bande de réception de la radio change dans l'ordre suivant :
Radio : FM1 -> FM2 -> FM3 -> AM -> WB.....
SiriusXM : SXM1 -> SXM2 -> SXM3 -> SXM1.....
- Appuyez sur ce bouton et maintenez-le enfoncé pour accéder au mode Exploration par catégorie. (en mode SiriusXM)
- Appuyez sur ce bouton et maintenez-le enfoncé pour accéder au menu iPod. (en mode iPod)

Bouton [MUTE]

- Mode **RADIO** mode – Sourdine activée-désactivée
- Mode **USB** – Lecture-Pause
- Mode **iPod** – Lecture-Pause
- Mode **AUX** – Sourdine activée-désactivée
- Mode **Pandora** – Lecture-Pause
- Mode **SiriusXM** – Sourdine activée-désactivée en mode direct Lecture/Pause en mode Relecture immédiate

Récepteur IR

- Récepteur pour télécommande IR en option. (Portée d'utilisation : 30° dans toutes les directions)

Commande de zone

Lors de la première mise sous tension, vous devez choisir le type de configuration audio : tournez le bouton [UP/DOWN] pour sélectionner « **STANDARD** », « **MULTI ZONE** » ou « **TOWER** », et appuyez sur [ENT] pour confirmer.

Si le mode « **STANDARD** » a été sélectionné, toutes les zones seront configurées ensemble. Si le mode « **MULTI ZONE** » a été sélectionné, les zones peuvent être configurées séparément. Si le mode « **TOWER** » (Tour) a été sélectionné, les zones seront réparties en zone 1 et zone 2 (Tour).

Pour réinitialiser le type de configuration audio, accéder au mode de configuration système.

Mode Liaison

- Appuyez longuement sur le bouton [J]
- Puis utilisez les boutons [◀], [▶], [ENT] et [UP/DOWN] pour sélectionner.

5. FONCTIONNEMENT

Fonctionnement de base

Remarque :

- Se référer aux schémas de la partie « 3. COM-MANDES » lorsque vous lisez ce chapitre.

ATTENTION

Le fait d'écouter l'appareil au volume maximal ou presque peut endommager l'ouïe.

Marche / arrêt

Remarque :

- Démarrez le moteur avant d'utiliser cet appareil.
 - Faites attention à ne pas utiliser l'appareil trop longtemps sans faire tourner le moteur. Si vous déchargez trop la batterie, vous risquez de ne pas pouvoir démarrer le moteur et d'altérer la longévité de la batterie.
1. Démarrez le moteur. Le bouton de mise en marche de l'appareil s'allume.



Moteur en position de marche

2. Appuyez sur le bouton [ŪSRC] (Recherche) du panneau avant ou de la télécommande pour mettre l'appareil en marche lorsqu'il est en mode Attente. L'appareil retourne automatiquement à son dernier état dès sa mise en marche.
3. Appuyez longuement sur le bouton [ŪSRC] (Recherche) du panneau avant ou de la télécommande pour éteindre l'appareil.

Sourdine

Appuyez sur le bouton [MUTE](Sourdine) de la télécommande pour couper le son de l'appareil.

Remarque :

Refaites l'opération ci-dessus ou réglez le volume pour remettre le son.

Réglage du volume

STANDARD : Tournez le bouton [VOLUME] du panneau avant ou appuyez sur le bouton [▲] ou [▼] de la télécommande.

MULTI ZONE : En mode de réglage du Volume, appuyez sur le bouton [◀▶] ou [▶▶] pour sélectionner un numéro de ZONE, puis tournez le bouton [VOLUME] pour effectuer un réglage.

TOWER (Tour) : En mode couplé, tournez le bouton [VOLUME] du panneau avant ou appuyez sur le bouton [▲] ou [▼] de la télécommande. En mode non couplé, pendant le réglage du Volume, appuyez sur le bouton [◀▶] ou [▶▶] pour sélectionner Zone 1 ou Tower (Tour), puis tournez le bouton [VOLUME] pour effectuer un réglage. La plage de volume réglable va de 0 à 40.

ATTENTION

Lorsque vous naviguez, réglez le volume suffisamment bas pour entendre les bruits extérieurs.

Changement des sources

Appuyez sur le bouton [Ū SRC] (Recherche) pour changer le mode.

Changement d'affichage

Appuyez sur le bouton [ENT] du panneau avant ou [DISP] de la télécommande pour alterner entre l'affichage des informations de l'horloge, de la station (mode radio) ou de la piste (mode USB).

Configuration système

Changement un paramètre de réglage

1. Appuyez et maintenez le bouton [MENU] enfoncé pour passer en mode de configuration du système.
2. Appuyez sur le bouton [◀▶] ou [▶▶] pour sélectionner « item name » (nom de l'option).
3. Tournez le bouton [UP/DOWN] pour sélectionner la « valeur de réglage souhaitée ».
 - * Pour certaines options, vous devez appuyer sur [ENT] pour ajuster la valeur de réglage.
4. Une fois les réglages effectués, appuyez sur le bouton [MENU] pour revenir au mode précédent.

HORLOGE

1. Appuyez sur le bouton [ENT].
2. Appuyez sur le bouton [◀▶] ou [▶▶] pour sélectionner les heures ou les minutes.
3. Tournez le bouton [UP/DOWN] pour sélectionner la bonne heure.
 - * Par défaut, l'heure est affichée au format 12 heures.
4. Appuyez sur le bouton [ENT] pour mettre l'heure en mémoire.

Remarque :

- L'horloge ne peut être réglée que lorsque l'appareil est allumé. Si vous déchargez la batterie ou que vous retirez la batterie du bateau ou cet appareil, l'horloge est remise à zéro. Lors du réglage de l'horloge, si vous appuyez sur une autre touche ou sélectionnez une autre fonction, le mode de réglage de l'heure est annulé.

MODE AUDIO

1. Tournez le bouton [UP/DOWN] pour sélectionner **STANDARD**, **MULTI ZONE** ou **TOWER (Tour)**.
2. Appuyez sur le bouton [ENT] pour confirmer.

LIEN DE ZONE [mode MULTI ZONE/ TOWER (Tour)]

1. Appuyez sur le bouton [ENT].
2. Appuyez sur le bouton [◀▶] ou [▶▶] pour sélectionner le numéro de ZONE. Tournez le bouton [UP/DOWN] pour sélectionner YES (Oui) ou NO (Non).
3. Appuyez sur le bouton [ENT] pour confirmer.

DX/LO (mode RADIO)

Tournez le bouton [UP/DOWN] pour choisir une radio locale ou éloignée en mode **RADIO**.

- **LO :** Seules les stations dont le signal est suffisamment puissant peuvent être captées.
- **DX :** Les stations ayant des signaux puissants et faibles peuvent être captées.

AUX SENS (mode AUX)

Tournez le bouton [UP/DOWN] pour choisir la sensibilité **LOW (Bas)**, **MID (Moyen)** ou **HIGH (Haut)** de l'entrée **AUX** en mode **AUX**.

PARENTAL (Contrôle parental) (mode SiriusXM)

Changez le mot de passe parental. Le code par défaut est «0000 »

LOCK CH (Canal verrouillé) (mode SiriusXM)

Pour verrouiller le canal actuel

UNLOCK ALL CH (Déverrouiller tous les canaux) (mode SiriusXM)

Pour déverrouiller tous les canaux ayant un verrouillage parental.

SELECT (Sélectionner)

Le menu « **SELECT** » est destiné à effectuer un jumelage automatique avec un périphérique mobile mémorisé.

Cette unité peut mémoriser jusqu'à trois périphériques mobiles : Les périphériques mobiles seront stockés dans leur ordre de jumelage à l'appareil. Si vous souhaitez ajouter un appareil différent de ceux déjà jumelés, il vous faut supprimer le mobile que vous ne voulez plus dans le menu «**DELETE**» (Supprimer).

DELETE (Supprimer)

1. Appuyez sur le bouton [ENT].
2. Tournez le bouton [UP/DOWN] pour choisir le nom du téléphone cellulaire jumelé dans la liste de jumelage.
3. Appuyez sur le bouton [ENT] pour confirmer.

DISCON (Débrancher) (mode BT)

Pour déconnecter le téléphone cellulaire actuellement branché.

1. Appuyez sur le bouton [ENT], les affichages de téléphone cellulaire sont tous actuellement connectés.
2. Appuyez sur le bouton [ENT] pour débrancher.

Configuration système

AUTO CON (AUTO CONNECTION): ON/OFF

1. Tournez le bouton **[UP/DOWN]** pour activer (ON) ou désactiver (OFF) la connexion automatique (AUTO CONNECTION).

ON : Lorsque le système détecte le téléphone qui a déjà été jumelé, l'appareil se reconnecte avec lui automatiquement.

PIN CODE (Code secret)

1. Appuyez sur le bouton **[ENT]**.

2. Tournez le bouton **[UP/DOWN]** et appuyez sur **[◀◀]** ou **[▶▶]** pour choisir un mot de passe à 4 chiffres.

3. Appuyez sur le bouton **[ENT]** pour confirmer. Le code secret par DÉFAUT EST « 0000 »

SCREEN SAVER (Économiseur d'écran) :

ACTIVER/DÉSACTIVER

Tournez le bouton **[UP/DOWN]** pour activer (ON) ou désactiver (OFF) l'économiseur d'écran.

ON : La fonction économiseur d'écran apparaît sur l'écran après 30 secondes de non utilisation.

SCROLL (Défilement) : ACTIVER/DÉSACTIVER

1. Tournez le bouton **[UP/DOWN]** pour activer ou désactiver le défilement (Scroll).

Si les informations de piste dépassent la longueur du panneau d'affichage :

Lorsque la fonction SCROLL (Défilement) est activée, les informations des étiquettes ID3 défilent sur l'affichage, par exemple : TRACK (Piste)-> FOLDER (Dossier)-> FILE (Fichier)-> ALBUM-> TITLE (Titre)-> ARTIST(Artiste)-> TRACK (Piste)->...

Lorsque SCROLL est désactivé, l'écran affiche une des informations des étiquettes ID3, avec TRACK (Piste) comme valeur par défaut. L'utilisateur peut changer cette valeur pour obtenir d'autres informations d'étiquette ID3 en appuyant sur la touche **[ENT]**.

PANDORA : ACTIVER/DÉSACTIVER

1. Tournez le bouton **[UP/DOWN]** pour activer (ON) ou désactiver (OFF) Pandora. Sélectionnez OFF (Désactiver) si l'application Pandora n'est pas installée sur votre Pod, iPhone ou iPad.

DIMMER (Variateur d'intensité) : ACTIVER/DÉSACTIVER

Tournez le bouton **[UP/DOWN]** pour activer (ON) ou désactiver (OFF) le variateur d'intensité (DIMMER).

- **ON :** (ACTIVER) Le réglage d'intensité de l'écran est actif lorsque les balises lumineuses du bateau sont allumées.
- **OFF :** (DÉSACTIVER) Toujours une luminosité maximum de l'écran avec ou sans les balises lumineuses du bateau.

BEEP (Bip) : ACTIVER/DÉSACTIVER

Tournez le bouton **[UP/DOWN]** pour activer (ON) ou désactiver (OFF) le son de la touche du bip.

12/24H

Tournez le bouton **[UP/DOWN]** pour choisir le format de l'heure : 12 HEURES ou 24 HEURES.

REGION (Région)

Tournez le bouton **[UP/DOWN]** pour choisir une région de syntonisateur radio entre Amérique du Nord/Europe/Asie/Australie.

FACTORY RESET (RÉINITIALISATION)

1. Tournez le bouton **[UP/DOWN]** pour sélectionner YES (Oui) ou NO (Non).
2. YES : Appuyez sur le bouton **[ENT]** pour afficher « CONFIRM » (Confirmer).
3. Tournez le bouton **[UP/DOWN]** pour sélectionner YES (Oui) ou NO (Non).
4. YES : En appuyant sur le bouton **[ENT]**, l'appareil se réinitialise.

Configuration audio

STANDARD

1. Appuyez sur le bouton **[]** pour entrer en mode de réglage de la sonorisation. La première pression affiche le réglage BEAT EQ actuel. Tournez le bouton **[UP/DOWN]** pour changer la fonction BEAT EQ dans cet ordre : EQ OFF (Égaliseur désactivé) -> POP -> CLASSIC (Classique) -> JAZZ -> CUSTOM (Personnalisé).

En mode de réglage CUSTOM, appuyez sur le bouton **[ENT]**. Tournez ensuite le bouton **[◀◀]** ou **[▶▶]** pour sélectionner le gain BAS (Basses), MID (Médiums), ou TRE (Aigus), puis tournez le bouton **[UP/DOWN]** pour sélectionner une valeur : (-6) - (+6), appuyez sur le bouton **[ENT]** pour confirmer.

2. Après avoir appuyé sur **[]**, appuyez sur **[◀◀]** ou **[▶▶]** pour sélectionner la présélection de l'utilisateur (USER), y compris : SUBWOOFER VOL (Volume des extrêmes graves) -> SUBWOOFER LPF (Filtre passe-bas des extrêmes graves) -> SUBWOOFER PHASE (Phase des extrêmes graves) -> LOUDNESS (Intensité) -> BALANCE -> FADER (Équilibreur) -> FRONT/REAR HPF (Filtre passe-haut avant/arrière), tournez le bouton **[UP/DOWN]** pour sélectionner une valeur.

MULTI ZONE

1. Appuyez sur le bouton **[]** pour entrer en mode de réglage de la sonorisation. La première pression affiche le réglage BEAT EQ actuel. Tournez le bouton **[UP/DOWN]** pour changer la fonction BEAT EQ (Égaliseur de battement) dans cet ordre : EQ OFF (Égaliseur désactivé) -> POP -> CLASSIC (Classique) -> JAZZ -> CUSTOM (Personnalisé).

En mode de réglage CUSTOM, appuyez sur le bouton **[ENT]**. Appuyez ensuite sur le bouton **[◀◀]** ou **[▶▶]** pour sélectionner le gain BAS (Basses), MID (Médiums), ou TRE (Aigus), puis tournez le bouton **[UP/DOWN]** pour sélectionner une valeur : (-6) - (+6), appuyez sur le bouton **[ENT]** pour confirmer.

2. Après avoir sélectionné **[]**, appuyez sur le bouton **[◀◀]** ou **[▶▶]** pour sélectionner ZONE 1/2/3/4 EQ (Équilibreur de zone 1/2/3/4) -> BALANCE -> HPF (Filtre passe-haut). Tournez le bouton **[UP/DOWN]** pour sélectionner une valeur.

TOWER (TOUR)

1. Appuyez sur le bouton **[]** pour entrer en mode de réglage de la sonorisation. La première pression affiche le réglage BEAT EQ actuel. Tournez le bouton **[UP/DOWN]** pour changer la fonction BEAT EQ (Égaliseur de battement) dans cet ordre : EQ OFF (Égaliseur désactivé) -> POP -> CLASSIC (Classique) -> JAZZ -> CUSTOM (Personnalisé). En mode de réglage CUSTOM, appuyez sur le bouton **[ENT]**. Appuyez ensuite sur le bouton **[◀◀]** ou **[▶▶]** pour sélectionner le gain BAS (Basses), MID (Médiums), ou TRE (Aigus), puis tournez le bouton **[UP/DOWN]** pour sélectionner une valeur : (-6) - (+6), appuyez sur le bouton **[ENT]** pour confirmer.

2. Après avoir sélectionné **[]**, appuyez sur **[◀◀]** ou **[▶▶]** pour sélectionner la présélection de l'utilisateur (USER), y compris : SUBWOOFER VOL (Volume des extrêmes graves) -> SUBWOOFER LPF (Filtre passe-bas des extrêmes graves) -> SUBWOOFER PHASE (Phase des extrêmes graves) -> LOUDNESS (Intensité) -> BALANCE -> FADER (Équilibreur) -> FRONT/REAR HPF (Filtre passe-haut avant/arrière), tournez le bouton **[UP/DOWN]** pour sélectionner une valeur.

SUBWOOFER

1. Appuyez sur **[SUB]** pour entrer en mode de réglage du subwoofer
2. Tournez le bouton **[UP/DOWN]** pour ajuster le niveau de volume de -6 à +6

Commandes du syntoniseur

Sélection du mode Syntonisateur

Appuyez une ou plusieurs fois sur le bouton [☺ / SRC] pour accéder au mode SYNTONISATEUR.

Sélection d'une bande radio

Appuyez sur le bouton [BND] (Bande) du panneau avant ou sur la touche [BAND] de la télécommande pour sélectionner une bande radio parmi FM1, FM2, FM3, AM, WB.

Syntonisation manuelle

Pendant la syntonisation manuelle, la fréquence change progressivement.

Appuyez sur le bouton [◀◀] ou [▶▶] du panneau avant pour capter une station en amont / en aval.

Appuyez sur le bouton [◀◀] ou [▶▶] de la télécommande pour sélectionner les stations présélectionnées.

Syntonisation automatique

Appuyez sur le bouton [◀◀] ou [▶▶] et maintenez-le enfoncé pour rechercher une station en amont / en aval.

Pour arrêter la recherche, répétez l'opération ci-dessus ou effleurez d'autres boutons ayant des fonctions radio.

Remarque :

Lorsqu'une station est syntonisée, la recherche cesse et la station commence à diffuser.

Balayage des stations présélectionnées

Le balayage des stations présélectionnées permet de recevoir les stations mémorisées dans l'ordre. Cette fonction est utile pour rechercher une station mise en mémoire.

1. Appuyez sur le bouton [SCAN] du panneau ou de la télécommande.
2. Lorsque la station recherchée est captée, appuyez à nouveau sur le bouton [SCN/PS/AS] pour continuer à recevoir cette station.

Remarque :

Veillez à ne pas maintenir le bouton [SCAN] enfoncé pendant 1 seconde ou plus, sinon la fonction de mémorisation automatique s'enclenche et l'appareil commencera à mémoriser des stations.

Mémorisation automatique

L'appareil mémorise les stations ayant la plus forte fréquence qui ont été trouvées dans toute la bande.

Appuyez et maintenez le bouton [SCAN] enfoncé (1 seconde) pour lancer la recherche automatique des stations.

Pour arrêter la mémorisation automatique, appuyez sur d'autres boutons possédant des fonctions radio.

Remarques :

1. Après la mémorisation automatique, les stations précédemment mises en mémoire seront écrasées.
2. L'appareil possède 5 bandes telles que FM1, FM2, FM3, AM et WB. Chaque bande peut mémoriser 5 stations, et le M608 a une capacité totale de 25 stations.

Mémorisation manuelle

Lorsque la station radio souhaitée a été captée, appuyez et maintenez la touche 1 - 5 enfoncée pour la mémoriser.

Rappel d'une station mémorisée

Appuyez sur l'une des touches numériques 1 - 5 du panneau pour sélectionner la station mémorisée correspondante.

Local Seeking (Recherche locale)

Lorsque la recherche LOCAL est activée, seules les stations radio dont le signal est suffisamment puissant peuvent être captées.

Pour sélectionner la fonction LOCAL, appuyez sur le bouton [MENU] du panneau avant et maintenez-le enfoncé, puis appuyez sur [▶▶] à plusieurs reprises jusqu'à l'affichage de LO (Local) ou DX (Distant), puis tourez le bouton [UP/DOWN] pour sélectionner le mode Local ou Distant.

Remarque :

Le nombre de stations de radio pouvant être captées diminue une fois le mode Local activé.

Fonctionnement de la radio satellite SiriusXM

Seule la radio SiriusXM® peut vous apporter cette abondance de styles que vous aimez depuis une seule source.

Bénéficiez de plus de 140 stations, avec notamment de la musique sans publicité, ce qu'il y a de mieux en sports, actualités, émissions, comédies et divertissements. Bienvenue dans l'univers de la radio satellite.

Il vous faut un syntonisateur SiriusXM et un abonnement. Pour en savoir plus, rendez-vous sur www.siriusxm.com.

Affichage de l'identifiant de la radio

Avant d'écouter la radio satellite, vous devez vous abonner à ce service à l'aide du numéro d'identification de la radio SiriusXM.

1. Appuyez sur le bouton [☺ / SRC] pour activer le mode SiriusXM.
2. Appuyez sur [◀◀] ou [▶▶] pour sélectionner le canal « 0 ».

L'appareil affiche l'identifiant de la radio.

Remarque : L'appareil n'affiche pas « 0CH » lorsque vous êtes sur le canal « 0 ».

Activez votre abonnement à SiriusXM

Après avoir installé votre syntonisateur de connexion et antenne SiriusXM, allumez l'appareil principal et sélectionnez le mode SiriusXM. Vous devriez pouvoir entendre la station Preview SiriusXM sur le Canal 1. Si vous n'êtes pas en mesure d'entendre les stations « Preview » (Aperçu), veuillez vérifier le mode d'installation pour vous assurer que le syntonisateur de connexion à SiriusXM est correctement installé.

Après avoir entendu la station Preview (Aperçu), mettez-vous sur le canal 0 pour trouver l'identifiant radio de votre syntonisateur. Sachez également que l'identifiant de la radio est situé sur le syntonisateur de connexion à SiriusXM pour bateau ainsi que sur son emballage. Vous aurez besoin de ce numéro pour activer votre abonnement. Inscrivez ce numéro quelque part pour toute référence ultérieure.

Remarque : L'identifiant de la radio SiriusXM ne comprend pas les lettres I, O, S ou F.

Aux États-Unis, vous pouvez effectuer l'activation en ligne ou en téléphonant au service à la clientèle de SiriusXM :

- Visitez www.siriusxm.com/activatenow
- Appelez le service à la clientèle de SiriusXM au 1-866-635-8634

Pour les abonnements canadiens, veuillez procéder comme suit :

- Visitez www.siriusxm.ca/activatenow
- Appelez le service à la clientèle de SiriusXM au 1-888-539-7474

Les satellites SiriusXM feront alors parvenir un message d'activation à votre syntonisateur. Lorsque votre radio détecte que le syntonisateur a reçu le message d'activation, votre radio affiche : « Subscription Updated » (Abonnement mis à jour). Une fois abonné, vous pouvez écouter les stations faisant partie de votre plan d'abonnement. Veuillez noter que le processus d'activation prend normalement de 10 à 15 minutes, et parfois jusqu'à une heure. Votre radio devra être allumée et recevoir le signal SiriusXM pour obtenir le message d'activation.

Mise en mémoire des présélections de canal

1. Appuyez sur [BND] (Bande) pour sélectionner la bande dans laquelle vous souhaitez mémoriser la présélection.

Il y a 3 bandes présélectionnées de radio satellite. Chaque fois que vous appuyez sur [BND], le bouton change la bande :

1. SXM1 -> SXM2 -> SXM3 -> SXM1
2. Mettez-vous sur le canal recherché puis appuyez sur l'un des boutons pré-réglés (1 - 5) pour mémoriser le canal.
3. Recommencez la procédure afin de mémoriser jusqu'à 5 autres canaux de la même bande.

Remarque :

- Il est possible de mémoriser un total de 15 canaux dans cette mémoire à raison de 5 canaux pour chaque bande (SXM1, SXM2 et SXM3).

Syntonisation des canaux à l'aide des présélections

1. Appuyez sur [BND] pour sélectionner la bande de pré-réglages à laquelle vous souhaitez accéder.
2. Appuyez sur le bouton de présélection (1 - 5) qui correspond au canal de la radio satellite mémorisé que vous souhaitez écouter.

Navigation par catégorie

1. Appuyez sur le bouton [BND] et maintenez-le enfoncé pour activer le mode Exploration par catégorie.

Fonctionnement de la radio satellite SiriusXM

2. Tournez le bouton [UP/DOWN] pour sélectionner la catégorie de votre choix.
3. Appuyez sur [◀◀] ou [▶▶] pour sélectionner le canal de votre choix dans la catégorie sélectionnée. Il suffit d'appuyer sur [↵] (Affichage) pour voir le nom du canal, le numéro de ce canal, l'artiste, le titre ou le contenu.
4. Appuyez sur [ENT] pour accéder au canal sélectionné.

Remarque :

Si aucune opération n'est effectuée dans les 10 secondes, le mode Navigation par catégorie est annulé.

Balayage des stations présélectionnées

Le balayage des canaux présélectionnés permet de recevoir les canaux mémorisés dans l'ordre. Cette fonction est utile pour rechercher une station mise en mémoire.

1. Appuyez sur le bouton [SCAN] et maintenez-le enfoncé.
2. Lorsque le canal recherché est capté, appuyez sur [SCAN] à nouveau pour continuer à recevoir ce canal.

Balayage par catégorie

Cette fonction est utile pour rechercher un canal dans une catégorie donnée.

1. Appuyez sur le bouton [BND] du panneau avant. Les options sélectionnables CHN/CAT (Canal/Catégorie) s'affichent.
2. Appuyez brièvement sur [SCAN] pour lancer le balayage des canaux.
3. Lorsque le canal recherché s'affiche, appuyez à nouveau sur [SCAN] pour sélectionner ce canal.

Remarque :

- Veillez à ne pas appuyer et maintenir le bouton [SCAN] pendant 1 seconde ou plus, sinon la fonction de mémorisation automatique s'enclenche et l'appareil commencera à balayer les présélections.

Relecture immédiate

1. En mode SiriusXM, appuyez sur le bouton [MENU] pour accéder au mode INSTANT REPLAY (Relecture immédiate).
2. Appuyez sur [◀◀] ou [▶▶] pour avancer ou reculer.

3. Appuyez sur [◀◀] ou [▶▶] et maintenez-le enfoncé pour un retour (REW) ou une avance rapide (FF).
4. Appuyez sur le bouton [3] du panneau ou [▶▶] de la télécommande pour lire/pauses.
5. Appuyez sur [MENU] ou [BND] pour quitter.

Changement d'affichage

Les informations textuelles comme le nom du canal, le nom/la caractéristique de l'artiste, le titre de la chanson/du programme et le contenu sont disponibles pour chacun des canaux SiriusXM. L'appareil peut afficher ces informations textuelles comme expliqué ci-dessous.

1. En mode SiriusXM, appuyez sur [ENT]. Chaque fois que vous appuyez sur ce bouton, l'affichage change comme indiqué ci-dessous. Numéro de bande/canal/nom du canal -> Nom de l'artiste -> Titre de la chanson -> Info sur le contenu -> Nom de la catégorie -> Horloge -> Numéro de bande/canal/nom du canal
- S'il n'existe aucune information textuelle, rien ne s'affiche.

Contrôle parental activé/désactivé

Le contrôle parental du SiriusXM vous permet de contrôler l'accès aux canaux que vous considérez inappropriés pour de jeunes auditeurs.

Une fois activé, vous devez saisir un mot de passe dans le contrôle parental pour avoir accès aux canaux bloqués. La manière d'établir le mot de passe, de configurer les canaux à bloquer, et la méthode pour accéder à ces canaux bloqués sont décrites ci-dessous.

1. Pour configurer le mot de passe, appuyez longuement sur le bouton [MENU] puis relâchez ce bouton et appuyez sur [▶▶] pour faire défiler le texte jusqu'à «PARENTAL PASSWORD » (Mot de passe parental). Appuyez sur [ENT] pour modifier le mot de passe. Entrez l'ancien mot de passe, suivi du nouveau. Pour saisir le mot de passe, tournez le bouton [UP/DOWN] pour choisir un chiffre de 0 à 9, puis appuyez sur [◀◀] ou [▶▶] pour entrer le prochain chiffre du mot de passe. Une fois les 4 chiffres saisis, appuyez sur [ENT] pour confirmer le mot de passe. **Remarque :** Le mot de passe par défaut est « 0000 »
2. Pour paramétrer les canaux à verrouiller, sintonisez le canal voulu. Appuyez longuement sur [MENU] puis relâchez et appuyez sur [▶▶]

Fonctionnement de la radio satellite SiriusXM

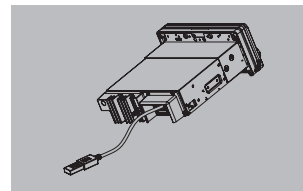
-] pour faire défiler le texte jusqu'à « LOCK CH » (Canal verrouillé), et appuyez sur [ENT] pour confirmer. Entrez le mot de passe comme expliqué à l'étape 1, puis appuyez sur [ENT] pour paramétrer le canal verrouillé. Le système vous demande alors de saisir votre mot de passe. Saisissez le mot de passe. Le mot «LOCK» (Verrouillage) s'affiche si l'opération a réussi.
3. Pour déverrouiller un canal verrouillé, allez jusqu'au canal concerné, appuyez sur [MENU] et maintenez enfoncé, puis appuyez sur [▶▶]

pour sélectionner « UNLOCKCH » (Canal déverrouillé). Entrez le mot de passe pour déverrouiller le canal.

4. Pour accéder aux canaux verrouillés, sélectionnez un canal avec « DIRECT SELECT » (Sélection directe). Appuyez sur [MENU] et sélectionnez « DIRECT SELECT » en appuyant sur le bouton [ENT]. Entrez le canal verrouillé voulu (vous devez saisir 3 chiffres) et le mot de passe afin de pouvoir capter ce canal verrouillé.

Commandes USB

1. Insérez un périphérique USB au dos du câble USB de l'appareil. Dès qu'un périphérique USB est connecté, l'appareil lit automatiquement les fichiers.
2. Pour retirer le périphérique USB, vous devez d'abord sélectionner une autre source ou mettre l'appareil hors tension pour ne pas endommager le périphérique. Le périphérique USB peut alors être retiré en toute sécurité.



Cet appareil prend en charge la lecture de fichiers MP3/WMA

Remarque :

- Si vous lisez un fichier WMA avec une gestion numérique des droits (DRM) active, aucun son ne sortira.

Pour désactiver la gestion DRM

(Gestion numérique des droits)

Si vous utilisez Windows Media Player 9/10/11, cliquez sur l'onglet Outils -> Options -> Copier la musique, puis sous Paramètres de la copie, désélectionnez la case pour copier la musique protégée. Ensuite, reconstituez les fichiers. Vous êtes personnellement responsable des fichiers WMA reconstitués par vos soins.

Précautions à suivre lors de la création d'un fichier MP3 / WMA

Débites d'échantillonnage et débits binaires utilisables

1. MP3 : Débit d'échantillonnage 8 kHz-48 kHz, débit binaire 8 kbps à 320 kbps / VBR
2. WMA : Débit binaire 8 kbps à 320 kbps

Extensions de fichier

1. Ajoutez toujours l'extension de fichier « .MP3 » ou « .WMA » à un fichier MP3 ou WMA en utilisant des lettres à un octet. Si vous ajoutez une extension autre que celle spécifiée ou que vous oubliez de le faire, il sera impossible de lire le fichier.
2. Les fichiers au format de données autres que MP3/WMA ne peuvent être lus. La lecture des fichiers est impossible s'ils ne comportent pas de données MP3/WMA.

Commandes USB

- * Lors de la lecture de fichiers VBR, la durée de lecture affichée peut ne pas concorder avec l'emplacement de la lecture en cours.
- * Lors de la lecture de fichiers MP3/WMA, on remarquera une courte période de silence entre les pistes.

Format logique (système de fichiers)

1. Le nom du dossier et le nom du fichier peuvent s'afficher comme titre pendant la lecture MP3/WMA, mais le titre ne doit pas dépasser 32 caractères alphanumériques à un octet (y compris l'extension).
2. N'ajoutez pas de nom au fichier d'un dossier ayant déjà ce nom.

Nombre de fichiers ou de dossiers

1. Jusqu'à 999 fichiers peuvent être reconnus par dossier.
Jusqu'à 99 dossiers peuvent être reconnus.
Jusqu'à 3 000 fichiers peuvent être lus.
2. Certains bruits peuvent se produire selon le type de logiciel de codage utilisé lors de l'enregistrement.

Interruption de la lecture

1. Appuyez sur le bouton [3] pour pauser la lecture.
« PAUSE » s'affiche à l'écran.
2. Pour reprendre la lecture, appuyez à nouveau sur [3].

Sélection d'une piste

Piste suivante

1. Appuyez sur le bouton [▶▶] pour aller au début de la piste suivante.
2. Chaque fois que vous appuyez sur le bouton [▶▶], la piste avance jusqu'au début de la piste suivante.

Piste précédente

1. Appuyez sur le bouton [◀◀] pour revenir au début de la piste actuelle.
2. Appuyez sur le bouton [◀◀] à deux reprises pour revenir au début de la piste précédente.

Avance rapide/Retour rapide

Avance rapide

Appuyez sur le bouton [▶▶] et maintenez-le enfoncé.

Retour rapide

Appuyez sur le bouton [◀◀] et maintenez-le enfoncé.

- * Les clés USB contenant une grande quantité de fichiers audio peuvent prendre plusieurs instants pour commencer la recherche et peuvent augmenter le délai entre les pistes. En outre, certaines erreurs peuvent survenir pendant la lecture.

Sélection de dossier

Cette fonction vous permet de sélectionner un dossier contenant des fichiers MP3/WMA et de commencer leur lecture à partir de la première piste du dossier.

1. Appuyez sur le bouton [4] ou [5].
Appuyez sur le bouton [5] pour passer au dossier suivant. Appuyez sur le bouton [4] pour passer au dossier précédent.
2. Pour sélectionner une piste, appuyez sur le bouton [◀◀] ou [▶▶].

Fonction Search (Rechercher)

1. Appuyez sur le bouton [MENU] pour accéder au mode FOLDER SEARCH (Recherche par dossier).
2. Tournez le bouton [UP/DOWN] pour sélectionner un dossier.
3. Appuyez sur [ENT] pour accéder au mode de recherche de liste. La liste des pistes apparaît sur l'affichage.
4. Tournez le bouton [UP/DOWN] pour sélectionner une piste.
5. Appuyez sur le bouton [ENT] pour la lire.
* Lors de la lecture de fichiers MP3/WMA, cette fonction s'effectue dans le dossier actuel.

Fonction Première plage

La fonction Première plage fait repartir le lecteur à la première piste des éléments stockés. Appuyez sur [3] pour lire la première piste (piste n° 1).

- * Avec des MP3/WMA, c'est la première piste du dossier actuel qui sera lue.

Autres fonctions de lecture

Scan play (Lecture par exploration)

Cette fonction vous permet de localiser et de lire les 10 premières secondes de chaque piste. Appuyez sur le bouton [SCAN] pour une lecture par exploration.

Commandes USB

Repeat play (Lecture répétitive)

Cette fonction vous permet de répéter plusieurs fois la piste actuelle, les pistes actuellement lues dans le dossier, ou toutes les pistes de façon répétée.

1. Appuyez sur le bouton [1] une ou plusieurs fois jusqu'à ce que « REPEAT ONE » (Répéter une fois) s'affiche à l'écran pour effectuer une lecture répétitive et le segment « ↺ » s'allume.
2. Appuyez sur le bouton [1] à plusieurs reprises jusqu'à ce que « REPEAT FOLD » (Répéter le dossier) s'affiche sur l'écran pour la lecture répétitive du dossier.

3. Appuyez sur le bouton [1] à plusieurs reprises jusqu'à ce que « REPEAT ALL » (Répéter tout) s'affiche sur l'écran pour la lecture répétitive de toutes les pistes.
4. Appuyez sur le bouton [1] à plusieurs reprises jusqu'à ce que « REPEAT OFF » (Désactiver la répétition) s'affiche à l'écran pour annuler la lecture répétitive et le segment « ↺ » s'éteint.

Random play (Lecture aléatoire)

Cette fonction vous permet de lire toutes les pistes de manière aléatoire.

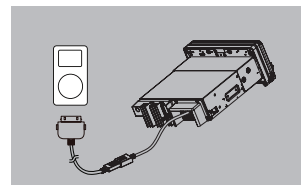
Appuyez sur [2] pour effectuer une lecture aléatoire, et le segment « ↻ » s'allume.

Commandes iPod, iPhone et iPad

Connexion d'un périphérique

Connectez un iPod, un iPhone ou un iPad au connecteur USB à l'aide d'un câble à accessoires pour iPod/iPhone/iPad.

Dès qu'un périphérique est connecté, l'appareil lit automatiquement les fichiers. Les données des pistes s'affichent à l'écran dès que la lecture commence.



MENU

Appuyez sur le bouton [MENU], tournez le bouton [UP/DOWN] pour sélectionner parmi PLAYLIST (Liste de lecture) / ARTIST / ALBUM / GENRE / SONGS (Chansons) / COMPOSERS (Compositeurs) / AUDIO BOOK (Livre audio) / PODCASTS (Balados), puis appuyez sur [ENT] pour confirmer.

REPEAT ALL » (Répéter tout) s'affiche à l'écran pour répéter la lecture de toutes les chansons.

3. Appuyez sur le bouton [1] à plusieurs reprises jusqu'à ce que « REPEAT OFF » (Désactiver la répétition) s'affiche à l'écran pour annuler la lecture répétitive.

Lecture/Pause

Appuyez sur le bouton [3] du panneau ou [▶||] de la télécommande pour lire/pauser.

Repeat Play (Lecture répétitive)

Cette fonction vous permet de répéter plusieurs fois la piste actuelle ou de lire à répétition votre iPod/iPhone/iPad.

1. Appuyez sur le bouton [1] jusqu'à ce que « REPEAT ONE » (Répéter une fois) s'affiche à l'écran pour répéter la lecture de la chanson en cours.
2. Appuyez sur le bouton [1] jusqu'à ce que «

Random Play (Lecture aléatoire)

Cette fonction vous permet de lire toutes les pistes gravées sur votre iPod/iPhone/iPad de manière aléatoire.

1. Appuyez sur le bouton [2] une ou plusieurs fois jusqu'à ce que « RANDOM ON » (Aléatoire active) s'affiche à l'écran afin d'effectuer une lecture aléatoire.
2. 3. Appuyez sur le bouton [3] à plusieurs reprises jusqu'à ce que « RANDOM OFF » (Aléatoire désactivé) s'affiche à l'écran pour annuler la lecture aléatoire.

Commandes iPod, iPhone et iPad

Recherche alphabétique du menu iPod

Cette fonction recherche les lettres alphabétiques souhaitées dans les sous-dossiers.

- Appuyez sur **[MENU]** pour sélectionner le mode du menu iPod.
- Tournez le bouton **[UP/DOWN]** pour changer de catégorie.
PLAYLIST (LISTE DE LECTURE), ARTIST (ARTISTE), ALBUM, GENRE, SONGS (CHANSONS), COMPOSERS (COMPOSITEURS), AUDIO BOOK (LIVRE AUDIO), PODCASTS (BALADOS).
- Appuyez sur le bouton **[ENT]**. (Le contenu de la catégorie est affiché.)
- Tournez le bouton **[UP/DOWN]** pour sélectionner la lettre voulue pour effectuer la recherche.
- Appuyez sur le bouton **[ENT]** pour confirmer.

Pour écouter Pandora®

Vous pouvez diffuser la radio Internet Pandora en connectant un iPod/iPhone/iPad sur lequel l'application mobile Pandora est installée. Pour commencer, connectez l'iPod/iPhone/iPad avec l'application Pandora déjà lancée.

En mode Pandora, lorsque l'appareil affiche « PLEASE LAUNCH PANDORA APPLICATION ON MOBILE DEVICE » (Veuillez lancer l'application Pandora sur le périphérique mobile), lancez l'application Pandora Application sur l'iPod/iPhone/iPad connecté.

- Appuyez sur le bouton **[O / SRC]** (Recherche) pour entrer en mode Pandora.

Sélection de la station d'une liste

Appuyez sur le bouton **[MENU]** et sélectionnez « BY DATE » (Par date) ou « BY NAME » (Par nom) en tournant le bouton **[UP/DOWN]** et en appuyant sur **[ENT]**.

- PAR DATE : Liste par date de création
- PAR NOM : Liste par ordre alphabétique

Aller à la station suivante ou précédente (par ordre alphabétique)

Tournez le bouton **[UP/DOWN]** du panneau dans les sens antihoraire pour aller à la station précédente.

Tournez le bouton **[UP/DOWN]** du panneau dans le sens horaire pour appuyez sur le bouton **[BAND/TOP]**

de la télécommande pour aller à la station suivante.

Pouce en haut/en bas

Pouce en haut :

Appuyez sur le bouton **[5]** du panneau ou le bouton **[RPT]** de la télécommande pour un pouce en haut. Lorsqu'on donne un pouce en haut à une piste, Pandora lit plus de pistes de ce genre.

Pouce en bas :

Appuyez sur le bouton **[4]** du panneau ou le bouton **[SCN]** de la télécommande pour un pouce en bas. Lorsqu'on donne un pouce en bas à une piste, le lecteur passe à la piste suivante (en fonction des limites de saut), et Pandora se souvient qu'il ne faut pas lire à nouveau cette piste sur la station.

Remarques :

- Vous pouvez personnaliser vos stations avec des « pouces en haut » ou des « pouces en bas ».
- Si vous donnez un pouce en bas une fois la limite de saut dépassée, votre avis sera conservé mais la lecture de la piste actuelle continuera.

Ajout d'un signet à la piste

Appuyez brièvement sur **[1]** pour ajouter un signet à la piste actuelle.

Ajout d'un signet à l'artiste

Appuyez brièvement sur **[2]** pour ajouter un signet à l'artiste actuel.

Saut

Appuyez sur le bouton **[▶▶]** du panneau ou de la télécommande pour les pistes suivantes de la station.

Remarque :

- PANDORA limite le nombre de sauts autorisés sur son service. Si vous dépassez la limite des sauts pour des pistes, « SKIP LIMIT » (Limite de saut) s'affiche.

Lecture/Pause

Appuyez sur le bouton **[3]** du panneau ou **[▶▶]** de la télécommande pour lire/pauses.

Commandes Bluetooth

Le Bluetooth intégré à cet appareil vous permet la transmission sans fil de musique depuis la plupart des appareils compatibles Bluetooth.

Remarques :

- Ne laissez pas le dispositif directement exposé à la lumière du soleil ou à de hautes températures. Une extrême chaleur peut provoquer des distorsions ou des décolorations risquant d'altérer son fonctionnement.
- Certains appareils compatibles Bluetooth pourraient ne pas fonctionner correctement avec cet appareil.
- Clarian ne peut garantir la compatibilité de tous les périphériques mobiles avec l'appareil.

Jumelage BT

- Activez la fonction Bluetooth sur votre périphérique mobile.
- Saisissez le menu configurer Bluetooth du périphérique mobile.
- Recherchez de nouveaux périphériques Bluetooth.
- Sélectionnez **M608** dans la liste de jumelage du périphérique mobile.
- Entrez « **0000** » comme mot de passe si nécessaire (le mot de passe par défaut est « **0000** »).
- Une fois le jumelage réussi, « **BT AUDIO** » s'affiche sur l'écran pendant 1 seconde.
- Appuyez sur le bouton **[O SRC]** (Recherche) pour sélectionner « **BT AUDIO** ».
- Il est possible de connecter jusqu'à trois périphériques sur celui-ci.

- Lors du jumelage, selon le type de périphérique mobile, un code PIN à six chiffres apparaît sur l'affichage de l'appareil source et sur le périphérique mobile. Si tel est le cas, vérifiez que vous avez le même code PIN sur les deux appareils puis confirmez sur le périphérique mobile.

Operaciones de transmisión de audio Bluetooth

Qu'est-ce que la lecture audio en transit Bluetooth (A2DP)?

La lecture audio en transit est une technique de transfert des données audio permettant de les traiter comme un flux régulier et continu. Les utilisateurs peuvent diffuser de la musique depuis

leur lecteur audio externe vers la stéréo de leur véhicule sur le réseau sans fil, et écouter les morceaux sur les haut-parleurs du bateau.

ATTENTION

Veillez éviter d'utiliser votre téléphone cellulaire connecté pendant la lecture audio en transit car il risque de provoquer du bruit ou des interférences pendant la lecture de la chanson. Selon le type de téléphone cellulaire, la lecture audio en transit peut ou non reprendre après l'interruption téléphonique, selon le téléphone cellulaire.

Cet appareil revient toujours en mode Radio si l'audio en transit est déconnecté.

Remarque :

N'oubliez pas de lire le chapitre « Jumelage » avant de procéder.

Lire/Interrompre une piste

- Appuyez sur le bouton **[3]** ou **[▶▶]** de la télécommande pour interrompre la lecture audio.
- Pour reprendre la lecture audio, appuyez à nouveau sur le bouton **[3]** ou **[▶▶]** de la télécommande.

Sélection d'une piste

Piste suivante

- Appuyez sur le bouton **[▶▶]** pour aller au début de la piste suivante.
- Chaque fois que vous appuyez sur le bouton **[▶▶]**, la lecture passe à une autre piste dans le sens progressif.

Piste précédente

- Appuyez sur le bouton **[◀◀]** pour aller au début de la piste précédente.
- Chaque fois que vous appuyez sur le bouton **[◀◀]**, la lecture passe à une autre piste dans le sens inverse.

Remarque :

L'ordre de lecture dépendra du lecteur audio Bluetooth. Lorsque l'on appuie sur le bouton **[◀◀]**, certains périphériques A2DP font rejouer la piste actuelle selon la durée de la lecture.

Pendant la lecture en transit de musique, « **A2DP** » apparaît sur l'affichage. Les renseignements

Commandes Bluetooth

concernant les pistes (par ex. temps de lecture écoulé, titre de la chanson, etc.) ne peuvent s'afficher sur cet appareil. Lorsqu'un périphérique A2DP est déconnecté, « **NO DEVICE** » (Aucun dispositif) apparaît sur l'affichage et l'appareil revient à la source audio sélectionnée plus tôt. Certains lecteurs audio Bluetooth peuvent ne pas avoir les fonctions lecture/pause synchronisées avec cet appareil. Assurez-vous que le périphérique et l'unité principale ont tous deux le même état de lecture/pause en mode audio **BT MUSIC** (Musique BT).

Affichage ID3

Pendant la lecture en transit de musique, si les informations de piste dépassent la longueur du panneau d'affichage :
Lorsque la fonction **SCROLL** (Défilement) est activée, les informations des étiquettes ID3 s'affichent, par exemple :

ALBUM -> TITLE (Titre) -> ARTIST (Ariste).
Lorsque **SCROLL** est désactivé, l'écran affiche une des informations des étiquettes ID3, avec **TRACK (Piste)** comme valeur par défaut. L'utilisateur peut changer cette valeur pour obtenir d'autres informations d'étiquette ID3 en appuyant sur le bouton **[DISP]** (Affichage).

Fonctionnement du protocole MTP

Le protocole MTP (Media Transfer Protocol) permet au M608 de communiquer avec votre appareil Android et d'en lire tous les contenus multimédias.

1. Activez la fonction MTP de votre appareil Android. Cette fonction se trouve généralement dans la section des paramètres USB.
2. Connectez l'appareil Android au M608 à l'aide d'un câble USB.
3. Le M608 lira automatiquement les contenus multimédias de votre appareil Android.

Fonctionnement AUX

Les prises RCA AUX arrière de ce système sont fournies pour permettre la lecture de pistes audio et la musique de périphériques externes connectés à cet appareil.

Appuyez sur le bouton [**⏮** / **SRC**] du panneau pour sélectionner « **AUX 1** » ou « **AUX 2** ».

Réglage de la sensibilité de l'entrée AUX

Sélectionnez les réglages suivants pour régler la sensibilité lorsqu'il est difficile d'entendre le son des périphériques externes branchés sur ce système, même après ajustement du volume.

- Le réglage par défaut est « **MID** » (Moyen).
1. Appuyez longuement sur **[MENU]**.
 2. Appuyez sur le bouton [**▶▶**] jusqu'à ce que « **AUX SENSE** » (Détection aux) s'affiche à l'écran.
 3. Tournez le bouton **[UP/DOWN]** pour sélectionner « **HIGH** » (Haut), « **MID** » (Moyen) ou « **LOW** » (Bas).

Remarque :

- Lorsque le mode **AUX** est sélectionné, il est possible de régler la sensibilité de l'entrée **AUX**.

6. DÉPANNAGE

GÉNÉRALITÉS

Problème	Cause	Correction
L'appareil refuse de s'allumer.	Le fusible de l'appareil est grillé.	Remplacez par un nouveau fusible avec le bon ampérage.
	Le fusible de la batterie du bateau est grillé.	Remplacez par un nouveau fusible avec le bon ampérage.
Sortie audio inexistante/faible.	La connexion de la sortie audio est incorrecte.	Vérifiez le câblage et corrigez.
	Volume trop bas.	Augmentez le volume sonore.
	Haut-parleurs endommagés.	Remplacez les haut-parleurs.
	Balance du volume fortement polarisée.	Réglez la balance du canal sur la position centrale.
	Les fils des haut-parleurs sont en contact avec une partie métallique du véhicule.	Isolez tous les raccordements des fils des haut-parleurs.
	La puissance nominale des haut-parleurs n'est pas adaptée à l'appareil.	Remplacez les haut-parleurs.
	Les branchements sont défectueux.	Vérifiez le câblage et corrigez.
	Il y a un court-circuit sur le haut-parleur.	Vérifiez le câblage et corrigez.
L'appareil se réinitialise lorsque le moteur est arrêté.	La connexion entre l'ACC et la batterie est incorrecte.	Vérifiez le câblage et corrigez.

Mémoire

Problème	Cause	Correction
Impossible d'insérer un périphérique USB.	Le périphérique USB a été inséré dans le mauvais sens.	Inversez le sens de la connexion du périphérique USB et essayez à nouveau.
	Le connecteur USB est brisé.	Remplacez par un nouveau périphérique USB.
Le périphérique USB n'est pas reconnu.	Le périphérique USB est endommagé.	Déconnectez, puis reconnectez le périphérique USB. Si le périphérique n'est toujours pas reconnu, essayez de remplacer par un périphérique USB différent.
	Les connecteurs sont desserrés.	
Aucun son ne se produit et aucun fichier n'est affiché (« No File »).	Aucun fichier MP3/WMA n'est stocké sur le périphérique USB.	Stockez ces fichiers correctement sur le périphérique USB.
Le son saute ou grésille.	Aucun fichier MP3/WMA n'est stocké sur le périphérique USB.	Utilisez des fichiers MP3/WMA correctement codés.

Messages d'avertissement SiriusXM

Message	Description
CHECK TUNER	Vérifiez la connexion du syntonisateur SiriusXM au dos de l'unité et assurez-vous qu'il est correctement raccordé.
CHECK ANTENNA	Assurez-vous que le câble d'antenne du SiriusXM est bien branché au syntonisateur SiriusXM.
	Vérifiez que le fil de l'antenne du SiriusXM n'est pas cassé et qu'il ne présente aucune torsion. Remplacez l'antenne si nécessaire. Vous trouverez les produits SiriusXM chez votre concessionnaire audio Clarion ou en ligne à www.shop.siriusxm.com .
NO SIGNAL	L'antenne doit avoir une vue dégagée du ciel méridional (sud). L'antenne magnétique doit être installée à l'extérieur du bateau pour une meilleure réception. Remarque : L'écran de l'appareil ne possède pas d'indicateur de puissance du signal.
CHAN UNSUB	Ce canal ne fait pas partie de votre plan d'abonnement SiriusXM. Aux États-Unis, visitez www.siriusxm.com ou téléphonez au 1-866-635-8634 si vous avez des questions concernant votre abonnement ou si vous souhaitez vous abonner à cette station. Au Canada, visitez www.siriusxm.ca ou téléphonez au 1-888-539-7474.
CH UNAVAIL	Ce numéro de station de fait pas partie des stations SiriusXM valides. Le numéro du canal a été mal saisi ou le canal a été retiré des canaux SiriusXM attribués. Visitez www.siriusxm.com pour en savoir plus sur les stations SiriusXM attribuées.
CH LOCKED	La station sélectionnée est verrouillée par des contrôles parentaux, ou une station pour adultes a été sélectionnée. Une invite s'affiche pour saisir le code de déverrouillage. Saisissez le code de déverrouillage comme expliqué à la page 29.
SUBSCRIPTN UPDATED	Une mise à jour de votre abonnement à SiriusXM a été reçue par le syntonisateur SiriusXM. Appuyez sur n'importe quelle touche pour continuer.

Téléphone

Problème	Cause	Correction
Impossible de jumeler le périphérique Bluetooth avec le système audio du bateau.	La fonction Bluetooth du périphérique n'est pas activée.	Utilisez un autre périphérique pour établir la connexion.
La qualité du son est médiocre après la connexion avec un périphérique Bluetooth.	Le gain du microphone interne est mal réglé.	Réglez le gain du microphone interne sous Configuration système.
	La fonction Bluetooth du périphérique n'est pas activée.	Référez-vous au manuel de l'utilisateur du périphérique pour savoir comment activer la fonction.

7. AFFICHAGES D'ERREUR

En cas d'erreur, l'un des affichages suivants apparaît. Effectuez les mesures décrites ci-dessous pour résoudre le problème.

Affichage	Cause	Correction
ERREUR 2	Ne prend pas en charge l'iPod, l'iPhone et l'iPad.	Changez d'appareil. * L'appareil principal reviendra au mode RADIO.

Si une erreur d'affichage autre que celles décrites ci-dessus apparaît, appuyez sur le bouton [RESET]. Si le problème persiste, éteignez l'appareil et adressez-vous au magasin où vous l'avez acheté.

* Lorsque vous appuyez sur le bouton [RESET] les fréquences des stations de radio présélectionnées, les titres, etc. mis en mémoire sont effacés.

8. SPÉCIFICATIONS TECHNIQUES

Syntonisateur FM

Plage de fréquences :
Amérique du Nord : 87,9 - 107,9 MHz
Europe : 87,5 - 108MHz
Asie et Australie : 87,5 - 108MHz
Sensibilité utile : 8 dB μ V
Sélectivité des stations secondaires : 60 dB
Séparation stéréo (1 kHz) : 30 dB
Réponse en fréquence (± 3 dB) :
30 Hz - 15 kHz

Syntonisateur AM

Plage de fréquences :
Amérique du Nord : 530 kHz - 1710 kHz
Europe : 531 kHz - 1602 kHz
Asie et Australie : 531 kHz - 1629 kHz
Sensibilité utile : 28 dB μ V

Syntonisateur WB

Plage de fréquences : 162,400 - 162,550 MHz
Longueur du pas : 25 kHz

Mode MP3/WMA

Taux d'échantillonnage MP3 : 8 kHz - 48 kHz
Débit binaire MP3 : 8 kbps - 320 kbps / VBR
Débit binaire WMA : 8 kbps - 320 kbps
Format logique : ISO9660 niveau 1,2
Système de fichier Joliet

USB

Spécification : USB 1.1
Alimentation USB : 5 V c.c., 2.1 amp
Format audio lisible :
MP3 (.mp3) : MPEG 1/2/Audio Couche-3
WMA (.wma) : Ver 7/8/9/1/9.2

Bluetooth

Spécification : Bluetooth Ver. 2.1+EDR
Profil :
A2DP (Profil de distribution audio avancée)
AVRCP (AV Remote Control Profile)
Sensibilité envoi/réception : Classe 2
Fréquence de fonctionnement: 2402 MHz à 2480 MHz
Puissance de sortie RF: ≤ 20 dBm

Amplificateur audio

Puissance de sortie maximale : 180 W (45 W \times 4 canaux)
Action de réglage des basses (100 Hz) : +6 dB, -6 dB

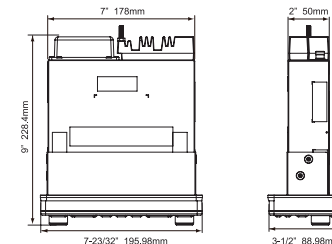
Action de réglage des aigus (10 kHz) : +6 dB, -6 dB
Niveau de sortie de ligne (USB 1 kHz) : 4 V

Entrée

Sensibilité d'entrée audio :
Élevée : 320mV (à 1V de sortie)
Moyenne : 650mV (à 1V de sortie)
Basse : 1,3 V (à 1V de sortie)
(impédance d'entrée 10 k Ω ou plus)
Niveau entrée Aux : ≤ 2 V

Général

Tension de la source d'alimentation :
14,4 V c.c. (10,8 - 15,6 V admissibles),
mise à la terre négative
Tension de sortie du préamplificateur :
4,0 V (mode lecture USB : 1kHz, 0dB, charge 10k Ω)
Fusible : 15 A
Dimensions de l'appareil principal :
196 mm Largeur \times 88,8 mm Hauteur \times 235,6 mm
Profondeur :
7-23/32 Largeur \times 3-16/32 Hauteur \times 9-9/32 Profondeur
Poids de l'appareil : 1,94 lb (0,88 kg)
Dimensions de la télécommande :
43 mm Largeur \times 11 mm Hauteur \times 113 mm Profondeur
1-2/3 Largeur \times 2/5 Hauteur \times 4-2/5 Profondeur
Poids de la télécommande :
1,16 oz (36 g) (avec la pile)



Remarque :
* Les spécifications techniques et la conception peuvent être modifiées sans préavis dans le but d'améliorer le produit.

Sortie de courant :
18 W RMS \times 4 canaux à 4 Ω
et ≤ 1 % THD+N

Rapport signal/bruit :
95 dBA (référence : 1W en 4 Ω)



9. GUIDE D'INSTALLATION / DE CÂBLAGE

CONTENU

1) Avant de commencer	35
2) Contenu de l'emballage.....	35
3) Précautions d'ordre général.....	35
4) Précautions d'installation.....	35
5) Installation de l'appareil source.....	35
6) Précautions concernant le câblage	36
7) Systèmes types	36
8) Câblage et connexions.....	37/38
9) Branchement des accessoires	37/38

1) Avant de commencer

- Cet ensemble est destiné exclusivement à être utilisé avec un bloc d'alimentation de 12 volts avec mise à la terre négative.
- Lisez attentivement ces instructions.
- Veillez à débrancher la « borne » de la batterie avant de commencer. Vous éviterez ainsi les courts-circuits lors de l'installation. (Figure 1)

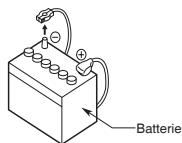


Figure 1

2) Contenu de l'emballage

Appareil source.....	1	Écrou M4.....	1
Câble de sortie AUX.....	1	Rondelle M4.....	2
Câble d'entrée AUX.....	1	Vis M4 x 30 mm.....	6
Câble SiriusXM / SWC.....	1	Câble d'alimentation électrique.....	1
Câble télécommandes filaires.....	1	Manuel d'utilisation.....	1
Garniture d'étanchéité pour trou (noire).....	1	Carte de garantie.....	1
Bride de fixation.....	1		

3) Précautions d'ordre général

- N'ouvrez pas le boîtier. Il n'y a aucune pièce réparable par l'utilisateur à l'intérieur. Si vous faites tomber quoi que ce soit dans l'appareil pendant l'installation, adressez-vous à votre concessionnaire ou à votre centre de réparations Clarion le plus proche.
- Utilisez un chiffon doux et sec pour nettoyer le boîtier. N'utilisez jamais de chiffon rugueux, de diluant, de benzène, d'alcool, etc. En cas de traces tenaces, appliquez un chiffon doux humidifié et essuyez délicatement les traces.

4) Précautions d'installation

- Préparez tous les articles nécessaires à l'installation de l'unité source avant de commencer.
- Installez l'unité à 30° du plan horizontal. (Figure 2)
- Si vous devez effectuer certains travaux sur la coque du bateau, notamment percer des trous, consultez au préalable votre concessionnaire nautique.
- Utilisez les vis fournies pour l'installation. L'utilisation d'autres vis pourrait endommager le matériel. (Figure 3)

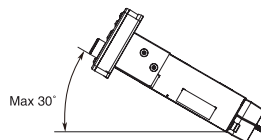


Figure 2

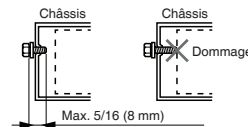


Figure 3

5) Installation de l'appareil source

• Dimensions de montage de la stéréo marine

Utilisation du gabarit fourni pour découper le modèle et percer les trous. (Figure 4)

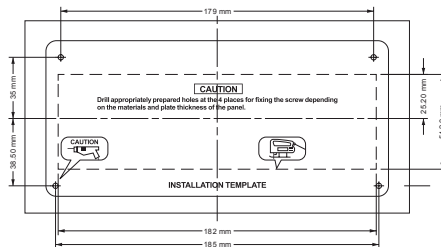


Figure 4

ATTENTION

Percez des trous correctement préparés aux 4 endroits prévus pour fixer les vis, en fonction des matériaux et de l'épaisseur de la plaque du panneau.

1. Insérez l'appareil source dans le trou découpé jusqu'au fond. (Figure 5)
2. Utilisez les vis fournies (M4 × 30) pour fixer l'appareil source. (Figure 5)
3. Utilisez la bride de fixation pour fixer l'appareil source sur l'arrière à l'aide d'un écrou M4. (Figure 5)

Remarque :

Certains modèles de bateaux nécessitent des nécessaires d'installation spéciaux pour assurer une installation adéquate. Veuillez contacter votre concessionnaire **Clarion** pour de plus amples renseignements.

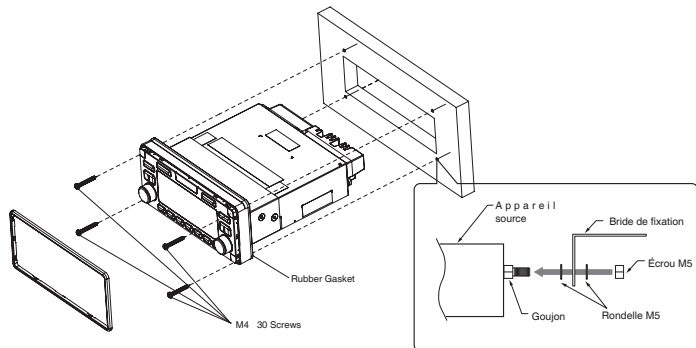


Figure 5

Remarque :

Vérifiez que le joint en caoutchouc est solidement fixé au panneau de base.

6) Précautions concernant le câblage

1. Veillez à couper l'alimentation électrique pour effectuer les branchements.
 2. Redoublez de vigilance en acheminant les fils. Éloignez-les du moteur, du tuyau d'échappement, etc. La chaleur peut en effet endommager les fils.
 3. Si le fusible grille, vérifiez si le câblage est correct. S'il est grillé, remplacez-le par un nouveau fusible de même ampérage que l'original.
 4. Pour remplacer le fusible, ouvrez le logement sur le côté de l'appareil source, retirez l'ancien fusible et insérez le nouveau. (Figure 6)
- * Il existe différents types de porte-fusibles. Ne laissez pas la borne du côté de la batterie toucher d'autres pièces métalliques.

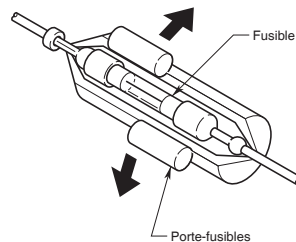
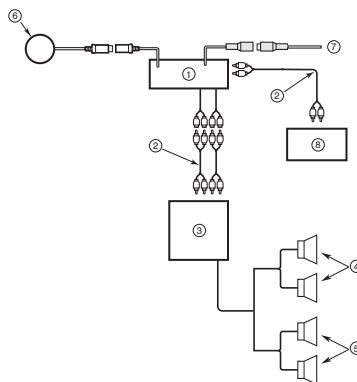


Figure 6

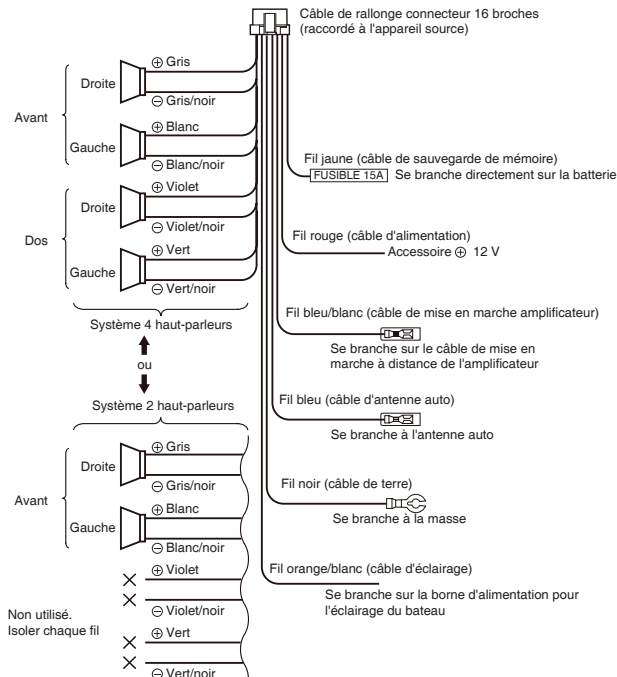
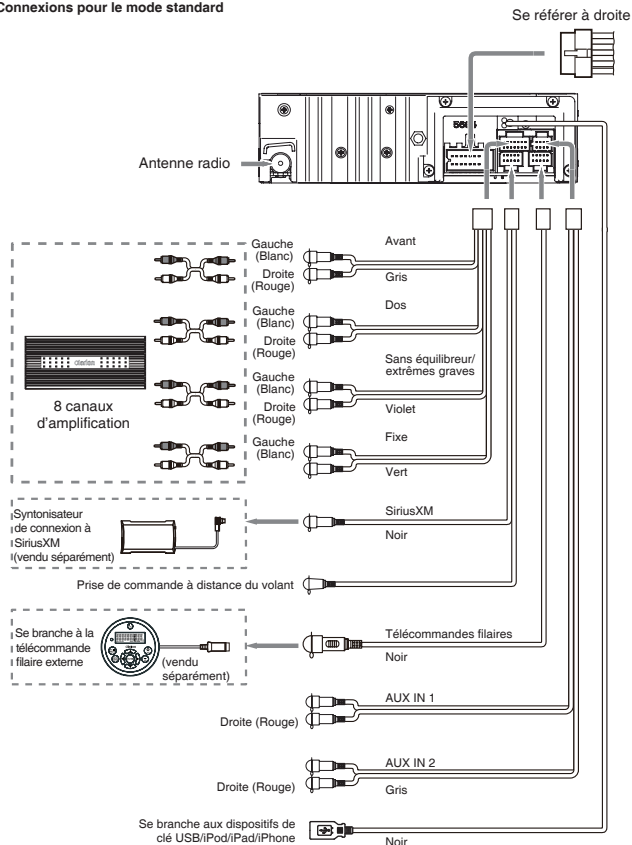
7) Systèmes types



1	Appareil source
2	Rallonge RCA (vendue séparément)
3	Amplificateur à 4 voies
4	Haut-parleurs avant
5	Haut-parleurs arrière
6	Télécommande filaire
7	Syntonisateur pour bateau SiriusXM-Connect
8	AUX

8) Câblage et connexions

Connexions pour le mode standard



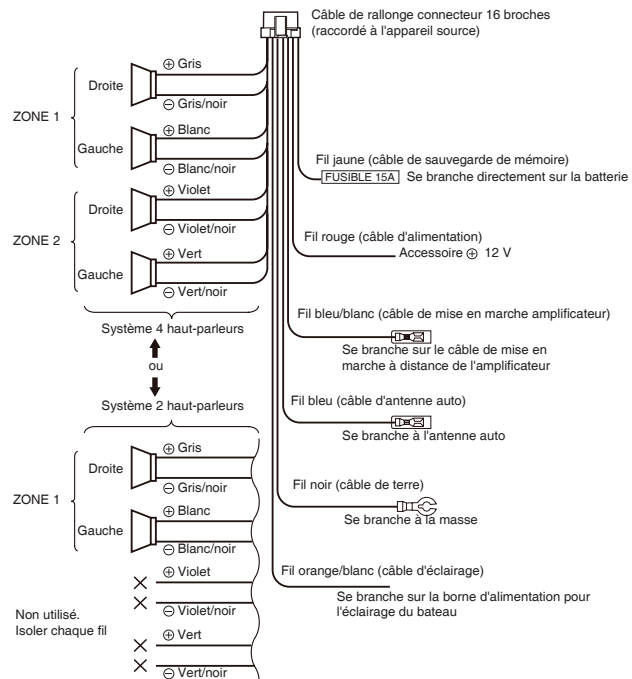
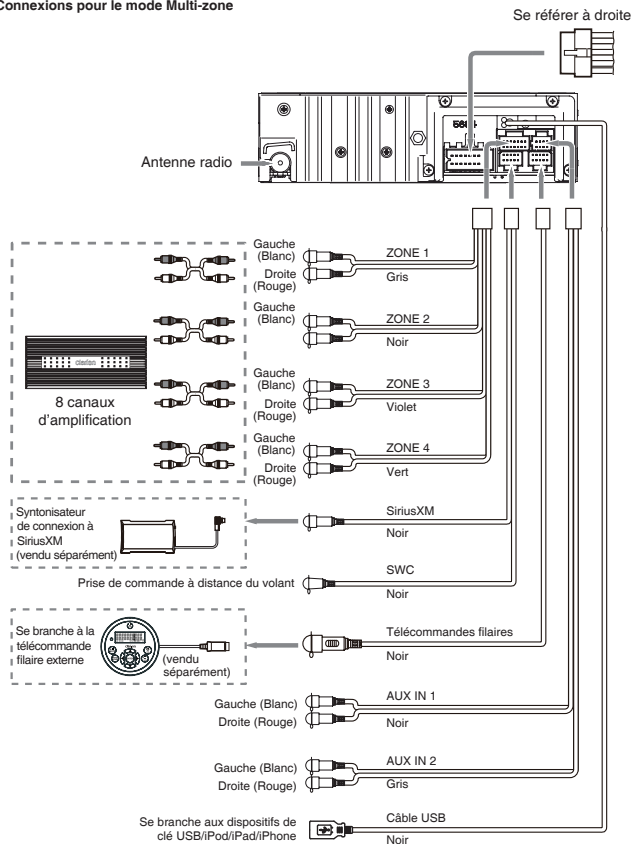
9) Branchement sur l'amplificateurs externe

• Branchement sur l'amplificateurs externe

- L'amplificateur externe peut être raccordé aux connexions de sortie RCA 6 canaux. Vérifiez que les connecteurs ne sont pas mis à la terre ou en court-circuit pour ne pas endommager l'appareil.
- Si le M608 est branché comme système MULTI-ZONE avec les RCA Zone 3 et Zone 4 RCA's branchés aux amplificateurs, ne basculez pas le M608 en mode STANDARD. L'amplificateur de la Zone 3 reproduirait alors uniquement les basses fréquences, et celui de la Zone 4 la plage complète de fréquences à un volume maximum. Le haut-parleur risquerait d'être endommagé, tout comme l'audition de la personne qui écoute.

8) Câblage et connexions

Connexions pour le mode Multi-zone



9) Branchement sur l'amplificateurs externe

• Branchement sur l'amplificateurs externe

L'amplificateur externe peut être raccordé aux connexions de sortie RCA 6 canaux. Vérifiez que les connecteurs ne sont pas mis à la terre ou en court-circuit pour ne pas endommager l'appareil.

- Si le M608 est branché comme système MULTI-ZONE avec les RCA Zone 3 et Zone 4 RCA branchés aux amplificateurs, ne basculez pas le M608 en mode STANDARD. L'amplificateur de la Zone 3 reproduirait alors uniquement les basses fréquences, et celui de la Zone 4 la plage complète de fréquences à un volume maximum. Le haut-parleur risquerait d'être endommagé, tout comme l'audition de la personne qui écoute.

INFORMACIÓN SOBRE EL REGISTRO DE PRODUCTOS **CLARION**

Para Estados Unidos y Canadá solamente
www.clarion.com

Estimado cliente:

Felicitaciones por haber comprado un producto electrónico móvil Clarion. Estamos seguros de que disfrutará de la experiencia Clarion.

Gozará de muchos beneficios al registrar su producto. Para hacerlo, lo invitamos a visitar nuestro Sitio Web en www.clarion.com.

Hemos simplificado el proceso de registro de los productos a través de nuestro práctico Sitio Web. El formulario de registro es breve y fácil de completar. Una vez realizado el trámite, lo podremos mantener informado con las novedades importantes del producto.

Regístrese en www.clarion.com: un modo fácil de mantener su producto Clarion actualizado.

Verifique periódicamente el sitio web de Clarion para ver actualizaciones de software y mejoras para su producto Clarion. Estas actualizaciones se pueden encontrar en la pestaña "Get Support" (Obtener apoyo) y luego en "Software Update / Download" (Actualizar/descargar software).

Índice

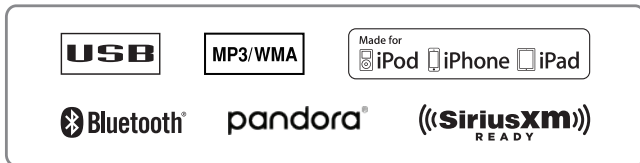
Gracias por comprar este producto **Clarion**.

- Antes de operar este equipo lea todo el manual de instrucciones.
- Revise el contenido de la tarjeta de garantía anexa y guárdela en un lugar seguro con este manual.

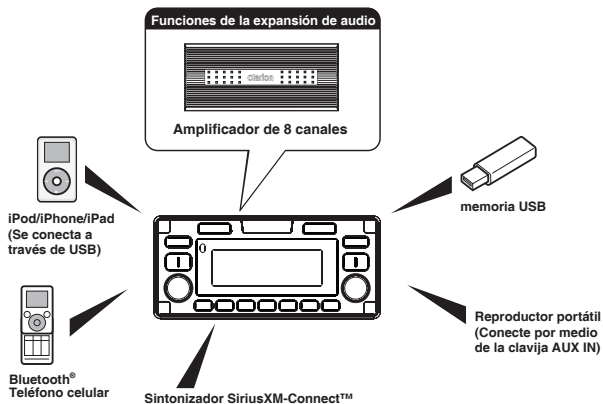
1. CARACTERÍSTICAS	42
2. PRECAUCIONES GENERALES	42
Panel frontal / información general	43
Puerto USB	43
3. CONTROLES	44
Panel de operación	44
Control remoto (RCX001: Se vende por separado).....	45
Notas para usar el control remoto opcional	45
Operaciones de la unidad de control remoto cableada opcional.....	46
Control de zona	46
5. OPERACIONES	47
Operaciones básicas	47
Configuración del sistema	47/48
Configuración del audio	48
Uso del sintonizador	49
Operaciones del radio por satélite SiriusXM.....	49/50
Operaciones con USB	51
Operaciones con iPod, iPhone e iPad	51/52
Operaciones de Bluetooth	52/53
Operaciones de AUX	53
6. SOLUCIÓN DE PROBLEMAS	54
7. MENSAJES DE ERROR	55
8. ESPECIFICACIONES	55
9. GUÍA DE CONEXIÓN / INSTALACIÓN DE LOS CABLES	56

1. CARACTERÍSTICAS

- Compatible con iPod®/ iPhone®/ iPad® con la app por radio de Internet PANDORA®
- SiriusXM-Ready™ (Se requiere sintonizador y suscripción y se venden por separado)
- Salida de RCA de 8 canales y BEAT-EQ con ecualizador paramétrico de 3 bandas



Expansión de los sistemas



Nota:

• Los elementos enumerados muestran solo las opciones de conectividad y no se incluyen con la unidad.

2. PRECAUCIONES GENERALES

⚠ ADVERTENCIA

Por su seguridad, el conductor no debe operar la unidad mientras conduce. Asimismo, mientras conduce, mantenga el volumen a un nivel que le permita escuchar los sonidos exteriores, como las voces y las sirenas.

1. Cuando la temperatura del interior del barco sea muy baja y se utilice el reproductor inmediatamente después de encender la calefacción, puede formarse humedad en los circuitos internos del reproductor, lo que podría impedir la correcta reproducción. Si se forma humedad dentro del reproductor, no lo utilice durante una hora. La condensación desaparecerá de manera natural, y podrá utilizarlo normalmente.
2. Esta unidad utiliza un mecanismo de precisión. En caso de que surja cualquier problema de funcionamiento, nunca abra la carcasa, desarme la unidad ni lubrique las piezas giratorias. Comuníquese con su distribuidor o centro de servicio Clarion.
3. DECLARACIÓN DE LA FCC

1. Este dispositivo cumple con la Sección 15 de las Normas de la FCC. Su funcionamiento está sujeto a las siguientes dos condiciones:
 (1) Este dispositivo no debe causar interferencia dañina.
 (2) Este dispositivo debe aceptar toda interferencia recibida, incluida aquella que pudiera ocasionar un funcionamiento no deseado.

2. Cualquier cambio o modificación no aprobada expresamente por la parte responsable podría invalidar la autoridad del usuario para operar con el equipo.

NOTA:

Este equipo ha sido aprobado y cumple los límites para dispositivos digitales de clase B, en cumplimiento de la Sección 15 de las Normas de la Comisión Federal de Comunicaciones (FCC, por sus siglas en inglés). Estos límites fueron diseñados para proporcionar una protección razonable contra interferencias dañinas en instalaciones residenciales.

Este equipo utiliza y puede emitir radiofrecuencia y, si no se instala y usa según las instrucciones, puede causar interferencias

dañinas en las comunicaciones de radio. Sin embargo, no existe garantía de que no habrá interferencia en una instalación en particular. Si este equipo causara interferencias dañinas a la recepción de radio o de televisión, lo cual puede determinarse encendiendo y apagando el equipo, se recomienda que el usuario intente corregir dicha interferencia mediante una o más de las siguientes medidas:

- Vuelva a orientar o a ubicar la antena receptora.
- Aumente la separación entre el equipo y el receptor.
- Conecte el equipo a una toma de un circuito diferente al que está conectado el receptor.
- Consulte con su distribuidor o con un técnico de radio y televisión con experiencia para recibir ayuda.

Declaración de exposición a la radiación de la FCC

Este equipo cumple con los límites de exposición a la radiación de la FCC estipulados para un entorno no controlado. Este equipo debería instalarse y funcionar con una distancia mínima de 20 cm entre la unidad y su cuerpo.

4. "Hecho para iPod", "Hecho para iPhone" y "Hecho para iPad" significan que se ha diseñado un accesorio electrónico para conectarse específicamente al iPod, iPhone o iPad respectivamente, y el desarrollador ha certificado que cumple con las normas de desempeño de Apple.

Apple no se responsabiliza por el funcionamiento de este dispositivo ni por el cumplimiento de los estándares normativos y de seguridad correspondientes.

Tome en cuenta que el uso de este accesorio con un iPod, iPhone o iPad puede afectar el rendimiento inalámbrico. iPod, iPhone, iPad y iTunes son marcas comerciales de Apple Inc., registradas en Estados Unidos y otros países.

Dispositivos iPod/iPad/iPhone compatibles:

iPhone 6s plus

iPhone 6s

iPhone 6 plus

iPhone 6

iPhone 5S

iPhone 5C

iPhone 5

iPad Mini4

iPad Air2

iPod touch (6th generation)

iPod touch (5th generation)

5. Pandora, el logotipo de Pandora y la imagen comercial de Pandora son marcas comerciales o marcas comerciales registradas de Pandora Media, Inc. usadas con permiso. Pandora solo está disponible en ciertos países. Visite pandora.com/legal para obtener más información.

Si tiene algún problema con la aplicación Pandora en su teléfono móvil, diríjase a pandora-support@pandora.com.

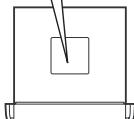
6. La marca de la palabra Bluetooth y los logotipos son marcas comerciales registradas propiedad de Bluetooth SIG, Inc., y todo uso de dichas marcas por parte de Clarion Co., Ltd, es bajo licencia. Otras marcas y nombres comerciales son de sus respectivos propietarios.

7. SiriusXM y todas las marcas y logotipos relacionados son marcas comerciales de Sirius XM Radio, Inc. Todos los derechos reservados.

8. Advertencia IC

Este dispositivo cumple con los estándares RSS exentos de licencia de Industry Canada. Su funcionamiento está sujeto a las siguientes dos condiciones:

- (1) Este dispositivo no debe causar interferencia
- (2) Este dispositivo debe aceptar toda interferencia, incluida aquella que pudiera ocasionar un funcionamiento no deseado.



INFORMACIÓN PARA USUARIOS:

Los cambios o modificaciones a este producto no aprobados por el fabricante dejarán sin efecto la garantía e infringirán la aprobación de la FCC.

Panel frontal / información general

Para incrementar la vida útil del equipo, asegúrese de leer las siguientes precauciones.

- No permita que ningún líquido o fluido entre en el equipo. Esto podría dañar los circuitos internos.
- No desarme ni modifique la unidad de ninguna manera. Si lo hace podría ocasionar daños.
- Tenga cuidado de no quemar la pantalla con cualquier material. Si lo hace podría dañar o deformar el cuerpo.
- Si surgiera algún problema con la unidad, solicite una revisión en la tienda donde la compró.
- Es posible que el control remoto no funcione si el sensor queda expuesto en forma directa a los rayos del sol.

Limpieza del gabinete

- Con un paño suave y seco, limpie la suciedad o el polvo suavemente.
- Para manchas difíciles de quitar, aplique detergente neutro diluido en agua a un paño suave, limpie la suciedad suavemente y luego pase un paño seco.
- No utilice bencina, diluyente, líquido limpiador de barcos, etcétera, ya que estas sustancias pueden dañar el gabinete o desprender la pintura. Asimismo, no deje productos de caucho o de plástico en contacto con el gabinete durante períodos prolongados, ya que éste podría mancharse.

Puerto USB

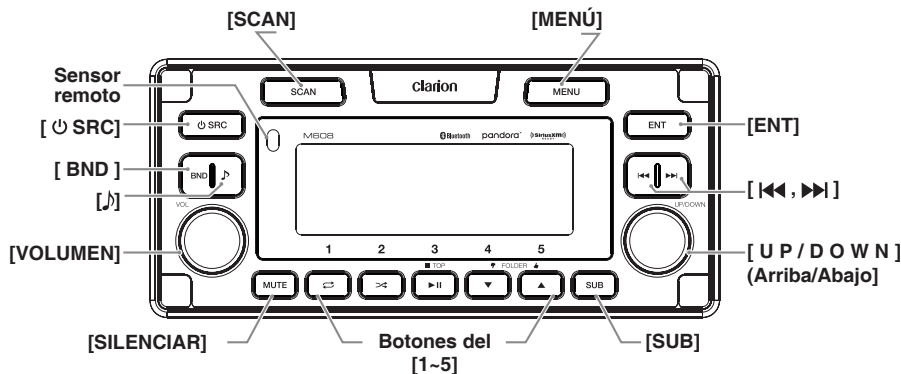
- Las memorias USB deben estar identificadas como "USB" para que funcionen correctamente. Algunos modelos pueden funcionar mal.

En el caso de que se pierdan o dañen datos por cualquier situación, Clarion no será responsable de daño alguno.

- Al usar la memoria USB, recomendamos que respalde sus datos (música) en una computadora personal antes de usarlos.
- Los archivos de datos (música) guardados en memorias USB pueden dañarse en los siguientes casos:
 - Al retirar la memoria USB o al apagar la unidad mientras se leen datos. La electricidad estática y/o un sobrevoltaje eléctrico pueden dañar el contenido de la memoria USB. Al conectar o desconectar la memoria USB cuando no se tiene acceso a ella.
 - Desconecte la memoria USB cuando no la use.

3. CONTROLES

Panel de operación



Nombres de los botones

Botón [ϕ / SRC]

- Alterna las fuentes de audio
- Encendido/Apagado (Pulsación larga)

Botón [BND]

- Modo **RADIO** – Selecciona la banda del sintonizador

Botón [\updownarrow]

- Ajustes de audio (Pulsación corta)
- Enlace de zona (Pulsación larga)

Perilla de [VOLUMEN]

- Ajusta el nivel de volumen

Botón [SCAN] (detección)

- Modo **RADIO** – Presione detección/ Almacenamiento automático (Pulsación larga)

Botón [MENU] (menú)

- Modo **USB** – Función Búsqueda

- Modo **iPod** – Menú iPod
- Modo **Pandora** – Selección de estación
- Modo **SiriusXM** – Repetición instantánea
- En la lista de archivos/menú – Retroceder
- Modo **Tuner** – Sin función
- Modo **AUX** – Sin función
- Modo **Ajuste** (pulsación larga)

Botón [ENT]

- Mostrar cambio (pulsación corta)
- DISP desactivado (pulsación larga)

Botones [\lll / \ggg]

- Modo **RADIO** – Sintonización manual/ Búsqueda automática (pulsación larga)
- Modo **USB/iPod**
 - Pista anterior/siguiente
 - Avance/Retroceso rápido (pulsación larga)
- Modo **Pandora** – Pasar pista (\ggg)
- Modo **SiriusXM** – Canal Arriba/Abajo

Perilla [UP/DOWN]

- Modo **Radio** - Alterna entre las estaciones preestablecidas
- Modo **USB** - Selecciona carpeta / archivo
- Modo **Pandora** – Selecciona el modo de búsqueda/estación
- Modo **SiriusXM Radio** – Seleccione categoría / (Opera en modos de categoría y canal)

Botón [MUTE] (Silenciar)

- Silencia el volumen

Botones del [1-5]

- Botón [1]: Repite reproducción / Estación preestablecida 1 / Memoria de estación preestablecida 1 (pulsación larga) / Modo **Pandora** – Marcar pista
- Botón [2]: Reproducción aleatoria / Estación preestablecida 2 / Memoria de estación preestablecida 2 (pulsación larga) / Modo **Pandora** - Marcar pista

- Botón [3]: Reproducción / Pausa / Estación preestablecida 3 / Memoria de estación preestablecida 3 (pulsación larga)
Nota: Cuando esté en la función "Reproducir", se reproducirá / pausará
- Botón [4]: Carpeta anterior / Estación preestablecida 4 / Memoria de estación preestablecida 4 (pulsación larga) / Modo **Pandora** - Pulgares abajo
- Botón [5]: Próxima carpeta / Estación preestablecida 5 / Memoria de estación preestablecida 5 (pulsación larga) / Modo **Pandora** - Pulgares arriba

Botón [SUB]

- Menú subwoofer (pulsación corta)
- Modo **SiriusXM** – Selección directa (pulsación larga)

Control remoto (RCX001: Se vende por separado)

Botón [SRC / ψ] (fuente)

- Alterna las fuentes de audio
- Encendido/Apagado (presione largo tiempo)

Botones [◀◀ ▶▶]

- Modo **RADIO** – Sintonización manual ascendente o descendente /Búsqueda ascendente o descendente (presione largo tiempo)
- Pista anterior/siguiente
- Modo **SiriusXM** - Sube o baja la estación / Navegación rápida de estación (presione largo tiempo)
- Modo **Pandora** – Saltar

Botó [SCN/PS/AS]

- Reproduce la exploración/exploración prefijada
- Almacenamiento automático en memoria (presione largo tiempo)
- Modo **Pandora** – Pulgares hacia abajo
- Modo **SiriusXM** – Exploración de canales (en la categoría actual) / Exploración prefijada (presione largo tiempo)

Botón [BAND/TOP]

- **Modo USB** – Reproducción superior
- **Modo RADIO** – Seleccione la banda del sintonizador
- **Modo SiriusXM** – Seleccione la banda del sintonizador/modo de exploración de categoría (presione largo tiempo)

Botones [▲ / ▼]

- Volumen hacia arriba/abajo

Botón [▶▶|]

- Reproducir/Pausa

Botón [ISR]

- No tiene función

Botón [DISP]

- Interruptor de visualización

Botón [RDM]

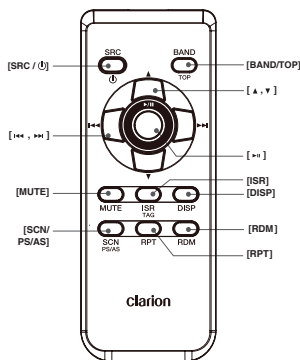
- Reproducción aleatoria
- Modo **Pandora** – Pulgares hacia arriba

Botón [RPT]

- Repetir la reproducción
- Modo **Pandora** – Rastreo de favoritos / Artista de favoritos (presione largo tiempo)

Botón [MUTE]

- Silencia el volumen

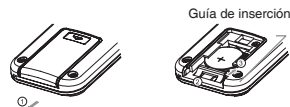


Notas para usar el control remoto RCX001 opcional

1. Apunte el control remoto al sensor remoto en la unidad.
2. Quite la batería del control remoto o inserte un aislante de baterías si el control remoto no se va a usar durante un mes o más.
3. NO guarde el control remoto bajo la luz directa del sol o en un ambiente de alta temperatura, pues podría no funcionar adecuadamente.
4. Use solamente baterías de litio "CR2025" (3 V) con forma de botón.
5. NO recargue la batería, no la desarme, caliente ni deseche en agua o fuego.
6. Inserte la batería en la dirección adecuada conforme a las polaridades (+) y (-).
7. Guarde la batería en un lugar donde no la puedan alcanzar los niños, para evitar el riesgo de un accidente.

Cómo insertar la batería

1. Deslice la tapa trasera de la unidad del control remoto en la dirección mostrada.
2. Inserte la batería (CR2025) en las guías de posición con el lado impreso (+) hacia arriba.
3. Presione la batería en el compartimiento, como se muestra.
4. Regrese a su lugar la cubierta y deslicela hasta que ajuste en su lugar con un clic.

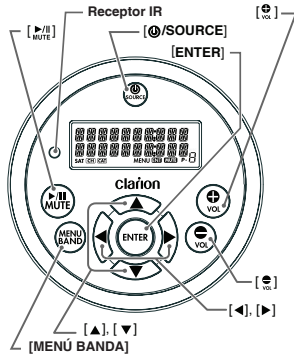


Operaciones de la unidad de control remoto cableada opcional

Funciones opcionales del control remoto cableado Clarion.

Nota:

Si el control remoto se conecta con la unidad mientras está encendida, vuelva a encender y/o reinicie la unidad para presentar al sistema el control remoto cableado.



⚠ PRECAUCIÓN

Baje el nivel de volumen antes de apagar la unidad fuente. La unidad fuente almacena el último ajuste de volumen.

⚠ ADVERTENCIA

SI EXPONE LA UNIDAD AL AGUA CON EL PANEL FRONTAL ABIERTO, SE DAÑARÁ O HARÁ QUE FALLE LA UNIDAD.

Botón [⊕/SOURCE] (fuente)

- Presione el botón [⊕ /SOURCE] para encender y presiónelo y sosténgalo presionado (1 segundo) para apagar.
- Cada vez que presione el botón [⊕ /SOURCE] cambia el modo.

Nota:

- Si el equipo indicado arriba no está conectado, no se puede seleccionar el modo correspondiente.

Botón [ENTER]

- Modo **RADIO** – Sin función
- Modo **USB** – Sin función
- Modo **iPod** – Confirmar (en modo Menú)
- Modo **AUX** – Sin función
- Modo **Pandora** – Sin función
- Modo **SiriusXM** – Confirmar (en modo Menú)

Botones [⏪], [⏩]

- Presione el botón [⏪] para subir el volumen.
- Presione el botón [⏩] para bajar el volumen.

Botones [◀]/[▶]

- Modo **RADIO** – Sube o baja la estación / Búsqueda hacia arriba o hacia abajo (presione largo tiempo)
- Modo **USB** – Pista anterior-siguiente/Avance rápido hacia adelante-hacia atrás (presione largo tiempo)
- Modo **iPod** – Pista anterior-siguiente/Avance rápido hacia adelante-hacia atrás (presione largo tiempo)
- Modo **AUX** – Sin función
- Modo **Pandora** – Saltar pista [▶]
- Modo **SiriusXM** – Subir - bajar canal/ Sintonizar rápido hacia arriba/abajo – (Presione largo tiempo) / Mover cursor (modo directo) / Subir - bajar canal en categoría actual (Modo categoría)

Operaciones de la unidad de control remoto cableada opcional

Botones [▲]/[▼]

- Modo **RADIO** – Estación prefijada hacia arriba/hacia abajo
- Modo **USB** – Sin función
- Modo **iPod** – Navegar (en modo Menú)
- Modo **AUX** – Sin función
- Modo **Pandora** – Sin función

Botón [MENU/BAND]

- Cada vez que presione el botón, la banda cambia en este orden:
Radio: FM1 -> FM2 -> FM3 -> AM -> WB.....
SiriusXM: SXM1 -> SXM2 -> SXM3 -> SXM1.....
- Mantenga presionado este botón para entrar al modo de Examinar categorías. (en modo SiriusXM)
- Mantenga presionado este botón para entrar al menú iPod. (en modo iPod)

Botón [MUTE]

- Modo **RADIO** – Activa-desactiva la función de silenciar
- Modo **USB** – Reproducir-Pausa
- Modo **iPod** – Reproducir-Pausa
- Modo **AUX** – Activa-desactiva la función de silenciar
- Modo **Pandora** – Reproducir - Pausa
- Modo **SiriusXM** – Activar/desactivar la función de silenciar en modo vivo
Reproducir/Pausa en el modo de volver a reproducir al instante

Receptor IR

- Receptor para la unidad de control remoto de IR opcional.
(Alcance operativo: 30° en todas direcciones)

Control de zona

Al encender la unidad por primera vez, es necesario elegir el tipo de configuración de audio: gire la perilla [UP/ DOWN] para elegir entre "STANDARD", "MULTI ZONE" o "TOWER", (Estándar, Multi zona o Torre) y presione el botón [ENT] para confirmar.

Si elige el modo "STANDARD", todas las zonas se configurarán juntas. Si selecciona "MULTI ZONE", las zonas se pueden configurar por separado. Si selecciona "TOWER", las zonas se dividirán en zona 1 y zona 2 (Torre).

Para volver a seleccionar el tipo de configuración de audio, acceda al modo de configuración del sistema.

Enlace de Zona

1. Mantenga presionado el botón [J]
2. Presione el botón [◀] o [▶] para seleccionar el número de la Zona.
3. Gire la perilla [UP/DOWN] para seleccionar "YES" o "NO".
4. Presione el botón [ENT] para confirmar.

5. OPERACIONES

Operaciones básicas

Nota:

- Consulte los diagramas en "3. CONTROLES" cuando lea este capítulo.

⚠ PRECAUCIÓN

Si escucha la unidad al nivel de volumen máximo o cerca del mismo puede ser nocivo para sus oídos.

Encendido/apagado

Nota:

- Arranque el motor antes de usar esta unidad.
- Tenga cuidado cuando use esta unidad durante un tiempo prolongado sin que funcione el motor. Si descarga la batería muy rápido, tal vez no pueda arrancar el motor, y esto puede reducir la vida de servicio de la batería.

1. Arranque el motor. La iluminación en el botón/ la perilla de encendido en la unidad se encenderá.



Motor en posición de encendido

2. Presione el botón [⏻ SRC] en el panel frontal o en el control remoto para encender la unidad en modo de espera. La unidad regresa al último estado después de encender.
3. Mantenga presionado el botón [⏻ SRC] en el panel frontal o en el control remoto para apagar la unidad.

Silenciar

Presione el botón [MUTE] en el control remoto para silenciar el volumen de la unidad.

Nota:

Realizar la operación anterior otra vez o ajustar el volumen liberará la función de silenciar.

Ajuste de volumen

ESTÁNDAR: Gire la perilla [VOLUME] en el panel frontal o presione el botón [▲] o [▼] en el control remoto.

MULTI ZONA: En el modo de ajuste de volumen, presione el botón [◀◀] o [▶▶] para seleccionar el número de ZONA y gire la perilla [VOLUME] para ajustar la selección.

TOWER (Torre): En el modo enlazado, gire la perilla [VOLUME] en el panel frontal o presione el botón [▲] o [▼] en el control remoto. En el modo no enlazado mientras está en el modo de ajuste de volumen, presione el botón [◀◀] o [▶▶] para seleccionar Zone 1 o Tower, y gire la perilla [VOLUME] para ajustar la selección.

El rango ajustable del volumen es de 0 a 40.

⚠ PRECAUCIÓN

Al conducir, mantenga el volumen en un nivel que le permita oír los sonidos externos.

Cambio de fuentes

Presione el botón [⏻ / SRC] para cambiar el modo de operación.

Cambio de la pantalla

Presione el botón [ENT] en el panel frontal o [DISP] en el control remoto para cambiar la información de la pantalla del reloj, la información de la estación (en modo radio) o la información de las pistas (modo USB).

Configuración del sistema

Cambio de los ajustes

1. Mantenga presionado el botón [MENU] para cambiar al modo de configuración del sistema.
2. Presione el botón [◀◀] o [▶▶] para seleccionar el "nombre del elemento".
3. Gire la perilla [UP/DOWN] para seleccionar el "valor de ajuste deseado".
* Para algunas opciones debe presionar el botón [ENT] para ajustar el valor de configuración.
4. Después de completar el ajuste de configuración, presione el botón [MENU] para regresar al modo anterior.

RELOJ

1. Presione el botón [ENT].
2. Presione el botón [◀◀] o [▶▶] para seleccionar la hora o el minuto.
3. Gire la perilla [UP/DOWN] para configurar la hora correcta.
* El reloj se muestra en formato de 12 horas de manera predeterminada.
4. Presione el botón [ENT] para almacenar la hora en la memoria.

Nota:

- El reloj solo se puede configurar mientras la unidad está encendida. Si agota o retira la batería del barco o si retira esta unidad, se reinicia el reloj. Mientras configura el reloj, si selecciona otro botón u operación, se cancela el modo de configuración de reloj.

MODO DE AUDIO

1. Gire la perilla [UP/DOWN] para elegir entre STANDARD, MULTI ZONE o TOWER (Estándar, Multizona o Torre).
2. Presione el botón [ENT] para confirmar.

ENLACE DE ZONAS (Modo MULTI ZONA/ TORRE)

1. Presione el botón [ENT].
2. Presione el botón [◀◀] o [▶▶] para seleccionar el número de ZONA. Gire la perilla [UP/DOWN] para seleccionar "YES" (Si) o "NO".
3. Presione el botón [ENT] para confirmar.

DX/LO (modo RADIO)

Gire la perilla [UP/DOWN] para elegir radio local o distante en el modo RADIO.

- **LO:** Solamente se pueden recibir estaciones con una señal intensa.
- **DX:** Se pueden recibir estaciones con señales intensas y débiles.

AUX SENS (Modo AUXILIAR)

Gire la perilla [UP/DOWN] para elegir la sensibilidad de la entrada AUXILIAR en LOW, MID o HIGH (Baja, media o alta) en el modo AUXILIAR.

PARENTAL (Control de los padres)

(Modo SiriusXM)
Cambio de contraseña para el control de los padres. El código predeterminado es "0000"

LOCK CH (bloqueo de canal) (Modo SiriusXM)

Bloquea el canal actual

UNLOCK ALL CH (desbloquear todos los canales) (Modo SiriusXM)

Desbloquea todos los canales bloqueados con el control de los padres.

SELECT

El menú de "SELECT" está dirigido para sincronizarse automáticamente con un dispositivo móvil almacenado.

Esta unidad puede almacenar un máximo de tres dispositivos móviles. Los dispositivos móviles se almacenarán en el orden en que se sincronicen con la unidad. Si desea agregar un dispositivo diferente a los que ya sincronizó, necesitará borrar el dispositivo móvil indeseado del menú "DELETE" (Borrar).

DELETE (Borrar)

1. Presione el botón [ENT].
2. Gire la perilla [UP/DOWN] para elegir el nombre del teléfono móvil sincronizado de la lista de dispositivos sincronizados.
3. Presione el botón [ENT] para confirmar.

DISCON (Desconectar) (Modo BT)

Desconecta el teléfono móvil conectado actualmente.

1. Presione el botón [ENT], el teléfono móvil muestra que está conectado actualmente.
2. Presione el botón [ENT] para desconectar.

Configuración del sistema

AUTO CON (Conexión automática): ON/OFF (ENC./APAG.)

1. Gire la perilla [UP/DOWN] para elegir "ON" (Encendido) o "OFF" (Apagado) y activar o desactivar la CONEXIÓN AUTOMÁTICA.
- ENCENDIDO: Al detectar un teléfono previamente emparejado, la unidad se conectará automáticamente.

PIN CODE (Código NIP)

1. Presione el botón [ENT].
2. Gire la perilla [UP/DOWN] y presione el botón [◀◀] o [▶▶] para elegir una contraseña de 4 dígitos.
3. Presione el botón [ENT] para confirmar. El ajuste predeterminado del Código NIP es "0000".

SCREEN SAVER (Protector de pantalla): ENC./APAG.

Gire la perilla [UP/DOWN] para elegir ON u OFF (Encendido o apagado).

ON (Encendido): El protector de pantalla aparecerá en la pantalla LCD después de 30 segundos de estar sin uso.

SCROLL (Desplazamiento): ON/OFF

1. Gire la perilla [UP/DOWN] para elegir entre "ON" (Encender) o "OFF" (Apagar).

Para la información de la pista que sea más larga que el panel de la pantalla:

Cuando activa la función SCROLL, la pantalla LCD desplazará la información de etiquetas ID3 a través de la pantalla, por ejemplo: PISTA -> CARPETA -> ARCHIVO -> ÁLBUM -> TÍTULO -> ARTISTA -> PISTA -> ...

Cuando desactiva la función SCROLL, la pantalla LCD mostrará la información de la etiqueta ID3; el valor predeterminado es PISTA, pero el usuario puede ajustarla a otra información de etiqueta ID3 presionando el botón [END].

PANDORA: ON/OFF (ENC./APAG.)

1. Gire la perilla [UP/DOWN] para activar o desactivar Pandora.

Seleccione OFF (Apagado) si no ha instalado la aplicación de Pandora en su iPod, iPhone o iPad.

Regulador de intensidad: ENC./APAG.)

Gire la perilla [UP/DOWN] para elegir DIMMER ON (Regulador de intensidad encendido) u OFF (Apagado).

- **ENCENDIDO:** El regulador de intensidad del LED se activa cuando se encienden las luces marcadoras del barco.
- **APAGADO:** El LCD enciende siempre con su brillo máximo sin importar las luces marcadoras del barco.

PITIDO: ENC./APAG.

Gire la perilla [UP/DOWN] para elegir el botón del sonido del pitido encendido o apagado.

12/24H

Gire la perilla [UP/DOWN] para elegir el formato de la hora: 12 horas o 24 horas.

REGIÓN

Gire la perilla [UP/DOWN] para elegir una región de radio de América del Norte/Europa/Asia/Australia.

FACTORY RESET (Reinicio de fábrica)

1. Gire la perilla [UP/DOWN] para elegir SÍ o NO
2. Sí Presione el botón [ENT] para mostrar "CONFIRM".
3. Gire la perilla [UP/DOWN] para elegir SÍ o NO
4. Sí Al presionar el botón [ENT] se reiniciará la unidad.

Configuración del audio

ESTÁNDAR:

1. Presione el botón [♪] para entrar al modo de ajuste de efectos de sonido. Al presionar por primera vez se muestra el ajuste actual de BEAT EQ (Ecuador de ritmo). Gire la perilla [UP/DOWN] para realizar cambios a BEAT EQ en este orden: EQ OFF -> POP -> CLASSIC -> JAZZ -> CUSTOM. En el modo de ajuste CUSTOM (Personalizado), presione el botón [ENT]. A continuación, presione el botón [◀◀] o [▶▶] para seleccionar BASS, MID o TRE Gain, y gire la perilla [UP/DOWN] para seleccionar el valor (-6) - (+6), presione el botón [ENT] para confirmar.
2. Después de presionar el botón [♪], presione el botón [◀◀] o [▶▶] para seleccionar un preajuste del USUARIO, tales como: SUBWOOFER VOL -> SUBWOOFER LPF -> SUBWOOFER PHASE -> LOUDNESS -> BALANCE -> FADER -> FRONT/REAR HPF, (Volumen del subwoofer -> Filtro pasabajos del subwoofer -> Filtro del subwoofer -> Intensidad -> Balance -> Desvanecimiento -> Filtro pasaaltas) gire la perilla [UP/DOWN] para seleccionar un valor.

MULTI ZONA

1. Presione el botón [♪] para entrar al modo de ajuste de efectos de sonido. Al presionar por primera vez se muestra el ajuste actual de BEAT EQ (Ecuador de ritmo). Gire la perilla [UP/DOWN] para cambiar BEAT EQ (Ecuador de ritmo) en este orden: EQ OFF -> POP -> CLASSIC -> JAZZ -> CUSTOM (Ecuador desac. -> Pop -> Clásica -> Jazz -> Personalizado). En el modo de ajuste CUSTOM (Personalizado), presione el botón [ENT]. A continuación, presione el botón [◀◀] o [▶▶] para seleccionar la ganancia de BAS (Bajos), MID (Medios) o TRE (Agudos), gire la perilla [UP/DOWN] para seleccionar un valor: (-6) - (+6), presione el botón [ENT] para confirmar.
2. Después de presionar el botón [♪] presione el botón [◀◀] o [▶▶] para seleccionar ZONE 1/2/3/4 EQ -> BALANCE -> HPF (Zona de ecualizador 1/2/3/4 ->

Balance -> Filtro pasaaltas) Gire la perilla [UP/DOWN] para seleccionar un valor.

TORRE

1. Presione el botón [♪] para entrar al modo de ajuste de efectos de sonido. Al presionar por primera vez se muestra el ajuste actual de BEAT EQ (Ecuador de ritmo). Gire la perilla [UP/DOWN] para cambiar BEAT EQ (Ecuador de ritmo) en este orden: EQ OFF -> POP -> CLASSIC -> JAZZ -> CUSTOM (Ecuador desac. -> Pop -> Clásica -> Jazz -> Personalizado).

En el modo de ajuste CUSTOM (Personalizado), presione el botón [ENT]. A continuación, presione el botón [◀◀] o [▶▶] para seleccionar la ganancia de BAS (Bajos), MID (Medios) o TRE (Agudos), gire la perilla [UP/DOWN] para seleccionar un valor: (-6) - (+6), presione el botón [ENT] para confirmar.

2. Después de presionar el botón [♪], presione el botón [◀◀] o [▶▶] para seleccionar un preajuste del USUARIO, tales como: SUBWOOFER VOL -> SUBWOOFER LPF -> SUBWOOFER PHASE -> LOUDNESS -> BALANCE -> FADER -> FRONT/REAR HPF, (Volumen del subwoofer -> Filtro pasabajos del subwoofer -> Filtro del subwoofer -> Intensidad -> Balance -> Desvanecimiento -> Filtro pasaaltas) gire la perilla [UP/DOWN] para seleccionar un valor.

SUBWOOFER

1. Presione el botón [SUB] para acceder a la configuración del subwoofer.
2. Gire la perilla [UP/DOWN] para seleccionar un valor: (-6) - (+6)

Uso del sintonizador

Selección del modo de sintonizador

Presione una vez o más el botón [☺ / SRC] para entrar al modo de **SINTONIZADOR**.

Selección de la banda de radio

Presione el botón [BND] en el panel frontal o [BAND] en el control remoto para seleccionar una banda de radio entre FM1, FM2, FM3, AM y WB.

Sintonía manual

Durante la sintonía manual, la frecuencia cambiará en etapas.

Presione el botón [◀◀] o [▶▶] en el panel para sintonizar una estación más abajo/más arriba. Presione el botón [◀◀] o [▶▶] en el control remoto para seleccionar estaciones prefijadas.

Sintonía automática

Mantenga presionado el botón [◀◀] o [▶▶] para buscar una estación más abajo o más arriba. Para detener la búsqueda, repita la operación anterior o presione otros botones que tengan funciones de radio.

Nota:

Cuando se recibe una estación, se detiene la búsqueda y se reproduce la estación.

Exploración prefijada

La exploración prefijada recibe las estaciones almacenadas en orden en la memoria prefijada. Esta función es útil cuando se busca una estación deseada en la memoria.

1. Presione el botón [SCAN] en el panel o en el control remoto.
2. Cuando sintonice una estación deseada, presione el botón [SCN/PS/AS] otra vez para seguir recibiendo esa estación.

Nota:

Tenga cuidado de no mantener presionado el botón [SCAN] por 1 segundo o más, de otra manera comenzará la función de almacenamiento automático y la unidad comienza a almacenar estaciones.

Almacenamiento automático

La unidad almacena las estaciones con mayor intensidad de señal que encuentre en toda la banda.

Mantenga presionado el botón [SCAN] (1 seg.) para iniciar la búsqueda automática de estaciones. Para detener el almacenamiento automático, presione otros botones que tengan funciones de radio.

Notas:

1. Después del almacenamiento automático, las estaciones previamente almacenadas se reescribirán.
2. La unidad tiene 5 bandas, como FM1, FM2, FM3, AM y WB. Cada banda puede almacenar 5 estaciones, y el M608 puede almacenar 25 estaciones en total.

Almacenamiento manual

Cuando se ha detectado una estación de radio deseada, mantenga presionado el botón con el número 1 a 5 para almacenarla en la memoria.

Llamada de las estaciones almacenadas

Presione un botón numérico entre el 1 y el 5 en el panel para seleccionar la estación almacenada correspondiente.

Búsqueda local

Cuando encienda la búsqueda LOCAL, solo se recibirán las estaciones de radio con una señal intensa.

Para seleccionar la función LOCAL, mantenga presionado el botón [MENU] en el panel frontal y luego presione el botón [▶▶] repetidamente hasta que aparezca **LO** o **DX** en la pantalla, y gire la perilla [UP/DOWN] para seleccionar el modo local o distante.

Nota:

La cantidad de estaciones de radio que se pueden recibir se reducirá cuando se active el modo de búsqueda local.

Operaciones del radio por satélite SiriusXM

Solo SiriusXM® le ofrece más de lo que le encanta escuchar, todo en un solo lugar.

Obtenga más de 140 canales, incluyendo música sin comerciales, además de los mejores deportes, noticias, entrevistas, comedias y entretenimiento. ¡Bienvenido al mundo de la radio por satélite!

Se requiere un sintonizador SiriusXM y una suscripción. Si desea más información, visite www.siriusxm.com.

Cómo visualizar la identificación del radio

Antes de que escuche el radio por satélite, debe suscribirse al servicio utilizando el número de identificación de su radio SiriusXM.

1. Presione el botón [☺ / SRC] para activar el modo SiriusXM.

2. Presione [◀◀] o [▶▶] para seleccionar el canal "0".

La unidad muestra la identificación del radio.

Nota: La unidad no muestra "OCH" cuando sintoniza el canal "0".

Activación de su suscripción a SiriusXM

Después de instalar el sintonizador para conexión a SiriusXM y la antena, encienda la unidad principal y seleccione el modo SiriusXM. Debe poder escuchar el canal de vista previa de SiriusXM en el canal 1. Si no puede escuchar el canal de vista previa, verifique las instrucciones de instalación para estar seguro de que su sintonizador de conexión SiriusXM esté bien instalado.

Una vez que pueda escuchar el canal de vista previa, sintonice el canal 0 para conocer la identificación de radio de su sintonizador. Además, la identificación del radio se encuentra en la parte inferior del sintonizador del barco para la conexión a SiriusXM y su empaque. Para activar su suscripción necesitará este número. Escriba el número para tenerlo de referencia.

Nota: La identificación de la radio SiriusXM no incluye las letras H, I, O, S o F.

En EE.UU. puede activarla en línea o llamando al departamento de atención al oyente de SiriusXM:

- Visite www.siriusxm.com/activatenow

- Llame al departamento de atención al oyente de SiriusXM al 1-866-635-8634
- Para suscripciones canadienses, comuníquese con:
 - Visite www.siriusxm.ca/activatenow
- Llame al departamento de atención al oyente de SiriusXM al 1-888-539-7474

Como parte del proceso de activación, los satélites de SiriusXM le enviarán un mensaje de activación a su sintonizador. Cuando su radio detecte que el sintonizador ha recibido el mensaje de activación, su radio mostrará: "Subscription Updated". Una vez suscrito, puede sintonizar los canales de su plan de suscripción. Tome en cuenta que el proceso de activación tarda normalmente de 10 a 15 minutos, pero puede tardar hasta una hora. Será necesario que encienda la radio y que reciba la señal de SiriusXM para poder recibir el mensaje de activación.

Almacenamiento de canales prefijados

1. Presione el botón [BND] para seleccionar la banda deseada en que desea almacenar el canal prefijado. Existen 3 bandas prefijadas de radio por satélite. Cada vez que presione el botón [BND] se cambia la banda: **SXM1 -> SXM2 -> SXM3 -> SXM1**
2. Sintonice el canal deseado y luego mantenga presionado uno de los botones prefijados (1 - 5) para almacenar el canal.
3. Repita el procedimiento para almacenar hasta otros 5 canales en la misma banda.

Nota:

- Se pueden almacenar un total de 15 canales en la memoria prefijada, 5 canales para cada banda (SXM1, SXM2 y SXM3).

Sintonía de canales usando prefijados

1. Presione el botón [BND] para seleccionar la banda deseada de los canales prefijados que dese acceder.
2. Presione el botón prefijado (1 - 5) que tenga el canal de radio de satélite deseado almacenado en la memoria.

Operaciones del radio por satélite SiriusXM

Exploración de categoría

- Mantenga presionado el botón [BND] para activar el modo de Examinar categorías.
- Gire la perilla [UP/DOWN] para seleccionar la categoría deseada.
- Presione [◀] o [▶] para seleccionar al canal deseado dentro de la categoría seleccionada. Puede ver el nombre del canal, el número de canal, el artista, el título o el contenido presionando [J].
- Presione [ENT] para sintonizar el canal seleccionado.

Nota:

Si no se realiza una operación en 10 segundos, se cancela el modo de exploración de categoría.

Exploración prefijada

La exploración prefijada recibe los canales almacenados en orden en la memoria prefijada. Esta función es útil cuando se busca un canal deseado en la memoria.

- Mantenga presionado el botón [SCAN].
- Cuando sintonice un canal deseado, presione otra vez el botón [SCAN] para seleccionar ese canal.

Exploración de categoría

Esta función es útil cuando explora en busca de un canal deseado dentro de una categoría específica.

- Presione el botón [BND] en el panel. Aparecen las opciones seleccionables CHN/CAT.
- Presione brevemente el botón [SCAN] para comenzar a explorar canales.
- Cuando reproduzca un canal deseado, presione otra vez el botón [SCAN] para seleccionar ese canal.

Nota:

- Tenga cuidado de no mantener presionado el botón [SCAN] por 1 segundo o más, de otra manera comenzará la función de almacenamiento automático y la unidad comienza a almacenar estaciones.

Reproducción instantánea

- En modo SiriusXM, presione el botón [MENU] para entrar al modo de REPRODUCCIÓN INSTANTÁNEA.

- Presione el botón [◀] o [▶] para avanzar hacia atrás o hacia adelante.
- Mantenga presionado el botón [◀] o [▶] para atrasar (REW) o adelantar (FF).
- Presione el botón [3] en el panel o [▶] en el control remoto para reproducir/hacer pausa.
- Presione el botón [MENU] o [BND] para salir.

Cambio de la pantalla

La información de texto, como nombre de canal, nombre de artista/función, título de canción/programa y contenido está disponible en cada canal SiriusXM. La unidad puede mostrar esta información de texto, tal como se explica a continuación.

- En modo SiriusXM, presione el botón [ENT]. Cada vez que presione este botón, la pantalla cambia como se muestra a continuación. Banda/número de canal/nombre de canal -> Nombre de artista -> Título de canción -> Información de contenido -> Nombre de categoría -> Reloj -> Banda/número de canal/nombre de canal
- Si no hay información de texto, no aparece nada.

Bloqueo/desbloqueo del control de los padres de familia

La función de control de los padres de SiriusXM le permite controlar el acceso a los canales que usted considere inadecuados para los oyentes más jóvenes.

Cuando se habilita, la función de control de los padres requiere que ingrese una contraseña para sintonizar los canales bloqueados. A continuación se describe la información para configurar la contraseña, configurar los canales a bloquear y el método para acceder a los canales bloqueados.

- Para configurar la contraseña, mantenga presionado [MENU] y luego suelte [MENU] y presione [▶] para desplazarse a "PARENTAL PASSWORD". Presione el botón [ENT] para cambiar la contraseña. Ingrese la contraseña antigua, después introduzca la contraseña nueva. Para ingresar la contraseña, gire la perilla [UP/DOWN] para elegir los números (0-9) y presione [◀] o [▶] para ingresar el siguiente número en la contraseña. Una vez que los 4 números se hayan ingresado, presione el botón [ENT] para confirmar la contraseña.

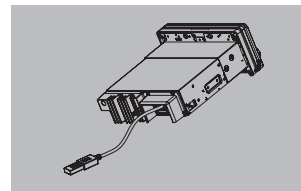
Nota: La contraseña predeterminada es "0000".

Operaciones del radio por satélite SiriusXM

- Para configurar los canales que se van a bloquear, sintonice el canal que desea bloquear. Mantenga presionado [MENU]; después suelte [MENU] y presione [▶] para desplazarse a "LOCK CH", y presione el botón [ENT] para confirmar. Ingrese la contraseña como se explicó en el paso 1 y luego presione el botón [ENT] para configurar el canal bloqueado. Se le pedirá que ingrese la contraseña. Ingrese la contraseña y se mostrará "LOCK" si se hizo correctamente.
- Para desbloquear el canal bloqueado, sintonice el canal que desea desbloquear, mantenga presionado [MENU] y presione [▶] para seleccionar "UNLOCKCH". Ingrese la contraseña para desbloquear el canal.
- Para tener acceso a los canales bloqueados, seleccione el canal con "DIRECT SELECT". Presione [MENU] y seleccione "DIRECT SELECT" presionando el botón [ENT]. Ingrese el canal bloqueado deseado (necesita ingresar 3 dígitos) y la contraseña. Luego puede sintonizar ese canal bloqueado.

Operaciones con USB

- Inserte un dispositivo USB en la parte posterior del cable USB de la unidad. Cuando conecte un dispositivo USB, la unidad leerá automáticamente los archivos.
- Para retirar el dispositivo USB, primero debe seleccionar otra fuente o desconectar la electricidad, para evitar que se dañe el dispositivo USB. Entonces puede retirar el dispositivo USB de manera segura.



La unidad respalda reproducción de archivos MP3/WMA

Nota:

- Si reproduce un archivo WMA con DRM (Administración de derechos digitales) activa, no habrá audio.

Cómo inhabilitar la DRM (Administración de derechos digitales)

Cuando use el Windows Media Player 9/10/11, haga clic en la pestaña Tool -> Options -> Copy Music and luego, en Copy settings, quite la marca en la casilla para copiar música de proyectos. Después, reconstruya los archivos. Los archivos WMA construidos personalmente se usan bajo su propia responsabilidad.

Precauciones al crear archivos MP3/WMA

- Tasas de muestreo y tasas de bit utilizables**
- MP3: Tasa de muestreo: 8 kHz-48 kHz, Tasa de bit 8 kbps-320 kbps/VBR
 - WMA: Tasa de bit 8 kbps-320 kbps

Extensiones de archivos

- Siempre agregue una extensión ".MP3", ".WMA" a un archivo MP3 o WMA utilizando letras de un solo byte. Si agrega una extensión de archivo diferente a la especificada o se le olvida de agregar la extensión del archivo, éste no se podrá reproducir.
- Los archivos sin datos MP3/WMA no se reproducirán. Si intenta reproducir archivos sin los datos MP3/WMA los archivos no se reproducirán.

Operaciones con USB

- * Al reproducir archivos VBR, el tiempo de reproducción mostrado puede ser diferente a la ubicación de reproducción actual.
- * Al reproducir archivos MP3/WMA, habrá una pequeña separación o falta de sonido entre las pistas.

Formato lógico (sistema de archivo)

1. El nombre de la carpeta y el nombre del archivo se pueden mostrar como el título durante reproducción de MP3/WMA, pero el título debe tener menos de 32 letras y numerales alfabéticos de un solo byte (incluyendo una extensión).
2. No anexe un nombre a un archivo dentro de una carpeta que tenga el mismo nombre.

Número de archivos o carpetas

1. Se pueden reconocer hasta 999 archivos por carpeta.
Se pueden reconocer hasta 99 carpetas.
Se pueden reproducir hasta 3000 archivos.
2. Podría ocurrir algo de ruido, dependiendo del tipo de software codificador utilizado al grabar.

Pausa en la reproducción

1. Presione el botón [3] para hacer una pausa en la reproducción.
En la pantalla aparece "PAUSE".
2. Para reanudar la reproducción, presione otra vez el botón [3].

Selección de una pista

Pista siguiente

1. Presione el botón [▶▶] para saltar al inicio de la siguiente pista.
2. Cada vez que presione el botón [▶▶], la pista avanza al inicio de la siguiente pista.

Pista anterior

1. Presione el botón [◀◀] para regresar al inicio de la pista actual.
2. Presione dos veces el botón [◀◀] para regresar al inicio de la pista anterior.

Avanzar/retroceder rápido

Avanzar rápido

Mantenga presionado el botón [▶▶].

Retroceder rápido

Mantenga presionado el botón [◀◀].

- * Los dispositivos USB que contengan una gran cantidad de archivos de audio pueden tardar varios momentos para comenzar la búsqueda y aumentar el retraso entre las pistas. Además, podrían ocurrir algunos errores durante la reproducción.

Selección de carpeta

Esta función le permite seleccionar una carpeta que contiene archivos MP3/WMA y comenzar a reproducir desde la primera pista en la carpeta.

1. Presione el botón [4] o [5].
Presione el botón [5] para pasar a la siguiente carpeta. Presione el botón [4] para regresar a la carpeta anterior.
2. Para seleccionar una pista, presione el botón [◀◀] o [▶▶].

Función de búsqueda

1. Presione el botón [MENU] para entrar al modo de BÚSQUEDA DE CARPETAS.
 2. Gire la perilla [UP/DOWN] para seleccionar una carpeta.
 3. Presione el botón [ENT] para entrar al modo de búsqueda de la lista de archivos. La lista de pistas aparece en la pantalla.
 4. Gire la perilla [UP/DOWN] para seleccionar una pista.
 5. Presione el botón [ENT] para reproducir.
- * Cuando reproduce un archivo MP3/WMA, esta función se realiza en la carpeta actual.

Función superior

La función superior se reinicia a la primera pista de las almacenadas. Presione el botón [3] para reproducir la primera pista (pista 1).
* En caso de archivos MP3/WMA, se reproduce la primera pista de la carpeta actual.

Otras funciones de reproducción

Explorar y reproducir
Esta función le permite localizar y reproducir los primeros 10 segundos de todas las pistas.
Presione el botón [SCAN] para explorar y reproducir.

Operaciones con USB

Repetir la reproducción

Esta función le permite reproducir la pista actual, pistas que ya se han reproducido en la carpeta o todas las pistas constantemente.

1. Presione el botón [1] una vez o más hasta que en la pantalla aparezca "REPEAT ONE" para repetir la reproducción y se enciendan las luces de segmentos "↔".
2. Presione varias veces el botón [1] hasta que aparezca "REPEAT FOLD" en la pantalla para repetir la reproducción de la carpeta.
3. Presione varias veces el botón [1] hasta que aparezca "REPEAT ALL" en la pantalla para repetir la reproducción de todas las pistas.

Operaciones con iPod, iPhone e iPad

Conexión de un dispositivo

Conecte un iPod, iPhone o iPad al conector USB por medio del cable accesorio para iPod/iPhone/iPad.

Cuando conecte un dispositivo, la unidad leerá automáticamente los archivos. En la pantalla se muestra la información de la pista una vez que inicia la reproducción.

MENÚ

Presione el botón [MENU], gire la perilla [UP/DOWN] para seleccionar entre LISTA DE REPRODUCCIÓN / ARTISTA / ÁLBUM / GÉNERO / CANCIONES / COMPOSITORES / LIBRO DE AUDIO / PODCASTS, y presione el botón [ENT] para confirmar.

Reproducir/Pausa

Presione el botón [3] en el panel o [▶▶] en el control remoto para reproducir/hacer pausa.

Repetir la reproducción

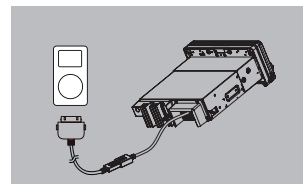
Esta función le permite reproducir repetidas veces la pista actual o reproducir todas las pistas de su iPod/iPhone/iPad repetidamente.

1. Presione el botón [1] hasta que aparezca "REPEAT ONE" en la pantalla LCD para repetir la reproducción de la canción actual.

4. Presione el botón [1] varias veces hasta que en la pantalla aparezca "REPEAT OFF" para cancelar la reproducción y se apaguen las luces de segmentos "↔".

Reproducción aleatoria

Esta función le permite reproducir todas las pistas grabadas en un disco en orden aleatorio. Presione el botón [2] para realizar la reproducción aleatoria y se enciendan las luces de segmentos "↔".



2. Presione el botón [1] hasta que aparezca "REPEAT ALL" en la pantalla LCD para repetir la reproducción de todas las canciones.
3. Presione varias veces el botón [1] hasta que aparezca "REPEAT OFF" en la pantalla LCD para cancelar la reproducción repetida.

Reproducción aleatoria

Esta función le permite reproducir todas las pistas grabadas en su iPod/iPhone/iPad en orden aleatorio.

1. Presione el botón [2] una vez o más hasta que en la pantalla aparezca "RANDOM ON" para realizar la reproducción aleatoria.
2. Presione varias veces el botón [2] hasta que aparezca "RANDOM ALBUM" en la pantalla LCD para reproducir el álbum en forma aleatoria.

Operaciones con iPod, iPhone e iPad

- Presione varias veces el botón [2] hasta que aparezca "RANDOM OFF" en la pantalla LCD para cancelar la reproducción aleatoria.

Búsqueda alfabética en el menú del iPod

Esta función realiza búsquedas en las subcarpetas de letras del alfabeto deseadas.

- Presione el botón [MENU] para seleccionar el modo de menú del iPod.
- Gire la perilla [UP/DOWN] para alternar entre las categorías.
LISTA DE REPRODUCCIÓN, ARTISTA, ÁLBUM, GÉNERO, CANCIONES, COMPOSITORES, LIBRO DE AUDIO, PODCASTS.
- Presione el botón [ENT]. (Se muestra el contenido de la categoría.)
- Gire la perilla [UP/DOWN] para seleccionar la letra deseada para la búsqueda.
- Presione el botón [ENT] para confirmar.

Para escuchar Pandora®

Puede transmitir radio por Internet Pandora conectando un iPod/iPhone que tenga la aplicación Pandora para dispositivos móviles ya instalada.

Para comenzar la transmisión, conecte el iPod/iPhone/iPad con la aplicación Pandora ya iniciada. En modo Pandora, cuando la unidad muestre "PLEASE LAUNCH PANDORA APPLICATION ON MOBILE DEVICE" (Inicie la aplicación en el dispositivo móvil en el modo Pandora), inicie la aplicación Pandora con el iPod/iPhone/iPad conectado.

- Presione el botón [⏻ / SRC] para entrar al modo Pandora.

Selección de una estación de la lista

Presione el botón [MENU] y seleccione "BY DATE" (Por fecha) o "BY NAME" (Por nombre) girando la perilla [UP/DOWN] y presionando el botón [ENT].

- BY DATE (Por fecha): Lista según las fechas de creación.
- BY NAME (Por nombre): Lista en orden alfabético

Vaya a la estación siguiente o a la estación anterior (en orden alfabético)

Gire la perilla [UP/DOWN] en el panel hacia la izquierda para ir a la estación anterior.

Gire la perilla [UP/DOWN] en el panel hacia la derecha o presione el botón [BAND/TOP] en el control remoto para ir a la estación siguiente.

Pulgares arriba/pulgares abajo

Pulgares arriba:

Presione el botón [5] en el panel o el botón [RPT] en el control remoto para marcar pulgares arriba. Marcar pulgares arriba en una pista le dirá a Pandora que reproduzca más pistas como esa.

Pulgares abajo:

Presione el botón [4] en el panel o el botón [SCN] en el control remoto para marcar pulgares abajo. Marcar pulgares abajo en una pista saltará a la siguiente pista (sujeto al límite de saltos), y Pandora recordará que no reproduce otra vez esa pista en la estación.

Notas:

- Puede personalizar sus estaciones con "pulgares arriba" o "pulgares abajo".
- Si marca una estación con pulgares abajo después de exceder el límite de saltos, sus comentarios se guardarán, pero la pista actual seguirá reproduciéndose.

Pista FAVORITA

Presione brevemente el botón [1] para marcar la pista actual como favorita.

Artista FAVORITO

Presione brevemente el botón [2] para marcar el artista actual como favorito.

Saltar

Presione el botón [▶▶] en el panel o en el control remoto para las siguientes pistas en la estación.

Nota:

- Pandora limita el número de saltos permitidos en su servicio. Si trata de saltar pistas más allá del límite, se muestra "SKIP LIMIT".

Reproducir/Pausa

Presione el botón [3] en el panel o [▶||] en el control remoto para reproducir/hacer pausa.

Operaciones de Bluetooth

El Bluetooth integrado en esta unidad le permite transmitir música de manera inalámbrica desde la mayoría de los dispositivos habilitados con Bluetooth.

Notas:

- No deje el dispositivo a la luz directa del sol ni lo exponga a altas temperaturas. El calor extremo puede provocar distorsión y decoloración, lo cual puede tener como resultado una falla.
- Es posible que algunos dispositivos habilitados con Bluetooth no funcionen bien con esta unidad.
- Clarion no puede garantizar la compatibilidad de todos los dispositivos móviles con la unidad.

Acoplamiento con Bluetooth

- Encienda la función Bluetooth en su dispositivo móvil.
- Ingrese al menú de configuración de Bluetooth en el dispositivo móvil.
- Busque nuevos dispositivos Bluetooth.
- Seleccione **M608** de la lista de acoplamientos en el dispositivo móvil.
- De ser necesario, ingrese "0000" como la contraseña (la contraseña predeterminada es "0000").
- Después de acoplar correctamente, aparecerá, "BT AUDIO" en la pantalla LCD por 1 segundo.
- Presione el botón [⏻ / SRC] para seleccionar "BT AUDIO".
- La unidad se puede conectar hasta con tres dispositivos.

- Durante el acoplamiento, dependiendo del tipo de dispositivo móvil, aparecerá un código NIP de seis dígitos tanto en la pantalla de la unidad fuente como en el dispositivo móvil.

En este caso, asegúrese de tener el mismo código NIP en los dos dispositivos y luego confirme en el dispositivo móvil.

Operaciones de transmisión de audio Bluetooth

¿Qué es la transmisión de audio Bluetooth (A2DP)?

La transmisión de audio es una técnica para transferir datos de audio de tal manera que se pueda procesar en un flujo constante y continuo. Los usuarios pueden transmitir música desde su reproductor de audio externo de manera inalámbrica al estéreo de su barco y escuchar las pistas a través de los altavoces del barco.

⚠ PRECAUCIÓN

Evite el funcionamiento de su teléfono móvil conectado mientras transmite audio, pues esto puede ocasionar interferencia de ruido en la reproducción de la canción.

Dependiendo de su teléfono móvil, la transmisión de audio podría reanudarse o no después de una interrupción del teléfono. Si se desconecta la transmisión de audio, esta unidad siempre regresará a modo de radio.

Nota:

Antes de continuar, asegúrese de leer el capítulo "Acoplamiento".

Reproducción/pausa de una pista

- Presione el botón [3] o [▶||] en el control remoto para hacer una pausa en la reproducción de audio.
- Para reanudar la reproducción de audio, presione el botón [3] o [▶||] otra vez en el control remoto.

Selección de una pista

Pista siguiente

- Presione el botón [▶▶] para moverse al inicio de la siguiente pista.
- Cada vez que presione el botón [▶▶], la reproducción cambia a otra pista hacia adelante.

Operaciones de Bluetooth

Pista anterior

1. Presione el botón [◀◀] para moverse al inicio de la pista anterior.
2. Cada vez que presione el botón [◀], la reproducción cambia a la pista anterior en dirección opuesta.

Nota:

El orden de reproducción dependerá del reproductor de audio con Bluetooth. Cuando se presiona el botón [◀◀], algunos dispositivos A2DP reiniciarán la pista actual, dependiendo de la duración de la reproducción.

Al reproducir música transmitida en la pantalla se mostrará "A2DP". En esta unidad no se puede mostrar información sobre las pistas (por ejemplo, el tiempo de reproducción transcurrido, el título de la canción, etc.). Cuando se desconecte un dispositivo A2DP, en la pantalla aparecerá "NO DEVICE" y la unidad

regresará a la fuente de audio seleccionada anteriormente. Algunos reproductores de audio de Bluetooth tal vez no tengan reproducción/pausa sincronizada con esta unidad. Asegúrese de que tanto el dispositivo como la unidad principal tengan la misma situación de reproducción/pausa en el modo **BT MUSIC**.

Pantalla ID3

Al reproducir música transmitida, para la información de la música que sea más larga que el panel de la pantalla.

Cuando tiene activa la función SCROLL, la pantalla LCD mostrará la información de la etiqueta ID3, por ejemplo:

ÁLBUM -> TÍTULO -> ARTISTA..

Cuando desactiva la función SCROLL, la pantalla LCD mostrará la información de la etiqueta ID3; el valor predeterminado es TRACK (Pista), pero el usuario puede ajustarla a otra información de etiqueta ID3 presionando el botón [ENT].

Operaciones con MTP

El protocolo de transferencia de contenido (MTP) permite que su unidad M608 se conecte y reproduzca contenido desde su dispositivo Android.

1. Abra la función MTP en su dispositivo Android. Generalmente se encuentra en la sección de ajustes del USB.
2. Conecte el dispositivo Android a su unidad M608 a través de un cable USB.
3. La unidad reproducirá el contenido en su dispositivo Android de forma automática.

Operaciones de AUX

Los terminales AUX RCA traseros de este sistema se incluyen para permitir la reproducción de sonidos y música de dispositivos externos conectados a esta unidad.

Presione el botón [🔊 / SRC] en el panel para seleccionar "AUX 1" o "AUX 2".

Ajuste de sensibilidad en la entrada AUX

Seleccione estos ajustes para configurar el nivel de sensibilidad del sonido cuando sea difícil escuchar sonidos de dispositivos externos conectados a este sistema, incluso después de ajustar el volumen.

* El ajuste predeterminado de fábrica es "MID".

1. Presione largo tiempo el botón [MENU].
2. Presione el botón [▶▶] hasta que aparezca "AUX SENSE" en la pantalla.
3. Gire la perilla [UP/DOWN] para seleccionar "HIGH", "MID" o "LOW".

Nota:

- Cuando selecciona el modo AUX, puede ajustar la sensibilidad de entrada (AUX IN).

6. SOLUCIÓN DE PROBLEMAS

GENERALES

Problema	Causa	Medida
La unidad no enciende.	Se quemó un fusible.	Reemplácelo por un fusible del mismo amperaje.
	El fusible de la batería del barco está fundido.	Reemplácelo por un fusible del mismo amperaje.
No hay salida de audio/es baja.	Conexión inadecuada de la salida de audio.	Verifique el cableado y corrija.
	El volumen está ajustado demasiado bajo.	Aumente el nivel de volumen.
	Altavoces dañados.	Reemplace los altavoces.
	Balace de volumen sumamente sesgado.	Ajuste el balance del canal a la posición central.
	El cableado del altavoz está en contacto con una pieza metálica del barco.	Aísla todas las conexiones de cableado del altavoz.
	El valor nominal de potencia del altavoz no coincide con la unidad.	Reemplace los altavoces.
	Conexiones equivocadas.	Verifique el cableado y corrija.
La unidad se reinicia sola al apagar el motor.	El altavoz está en corto circuito.	Verifique el cableado y corrija.
	Conexión incorrecta entre ACC y la batería.	Verifique el cableado y corrija.

USB

Problema	Causa	Medida
No se puede insertar el dispositivo USB.	El dispositivo USB se insertó en forma equivocada. El conector USB está descompuesto.	Invierta la dirección de la conexión del dispositivo USB e intente de nuevo. Reemplace con un dispositivo USB nuevo.
El dispositivo USB no se reconoce.	El dispositivo USB está dañado. Los conectores están sueltos.	Desconecte el dispositivo USB y reconéctelo. Si aún así no se reconoce el dispositivo, pruebe reemplazando el dispositivo USB.
No se escucha sonido y se muestra la pantalla "No File".	No hay archivos MP3/WMA almacenados en el dispositivo USB.	Guarda correctamente estos archivos en el dispositivo USB.
El sonido se salta o tiene ruidos.	Los archivos MP3/WMA no están bien codificados.	Utilice archivos MP3/WMA bien codificados.

Mensajes de aviso de SiriusXM

Mensaje	Descripción
CHECK TUNER (REVISAR SINTONIZADOR)	Revise la conexión del sintonizador SiriusXM en la parte trasera de la unidad para asegurar que esté conectado correctamente.
CHECK ANTENNA (REVISAR ANTENA)	Asegúrese de que el cable de la antena del SiriusXM esté conectado correctamente con el sintonizador SiriusXM. Revise que el cable de la antena del SiriusXM no esté roto ni tenga dobleces cerrados. De ser necesario, reemplace la antena. Los productos SiriusXM están disponibles con el minorista de audio para autos de su localidad o en línea en www.shop.siriusxm.com .
NO SIGNAL (NO HAY SEÑAL)	La antena debe tener una vista clara del cielo hacia el sur. La antena magnética debe estar montada por el exterior del barco para tener la mejor recepción. Nota: La unidad no tiene un indicador de intensidad de señal en la pantalla LCD.
CHAN UNSUB (CANAL SIN SUSCRIPCIÓN)	Este canal no está incluido en su plan de suscripción a SiriusXM. En EE.UU., visite www.siriusxm.com o llame al 1-866-635-8634 si tiene preguntas acerca de su paquete de suscripción o si desea suscribirse a este canal. En Canadá, visite www.siriusxm.ca o llame al 1-888-539-7474.
CH UNAVAILABLE (CANAL NO DISPONIBLE)	Este canal no es un canal válido de SiriusXM. El número de canal se ha ingresado de manera incorrecta o el canal se eliminó de los canales incluidos en SiriusXM. Visite www.siriusxm.com para obtener más información acerca de los canales incluidos en SiriusXM.
CH LOCKED (CANAL BLOQUEADO)	El canal seleccionado ha sido bloqueado por los controles para los padres de familia, o se ha seleccionado un canal exclusivo para adultos. Aparecerá una indicación para ingresar el código de desbloqueo. Ingrese el código de desbloqueo como se describe en la página 48.
SUBSCRIPTN (SUSCRIPCIÓN) UPDATED (ACTUALIZADA)	El sintonizador SiriusXM ha recibido una actualización a su suscripción de SiriusXM. Presione cualquier botón para continuar.

Bluetooth

Problema	Causa	Medida
No se puede sincronizar el dispositivo para habilitar Bluetooth con el sistema de audio del barco.	El dispositivo no respalda los perfiles requeridos para el sistema. La función de Bluetooth del dispositivo no está habilitada.	Use otro dispositivo para conectarse. Consulte el manual del usuario del dispositivo para habilitar la función.
La calidad del audio es mala después de conectar un dispositivo habilitado con Bluetooth.	La ganancia del micrófono interno no está configurada correctamente.	Ajuste la ganancia del micrófono interno en la configuración del sistema.

7. MENSAJES DE ERROR

Si se genera un error, se muestra una de los errores siguientes. Tome las medidas descritas a continuación para resolver el problema.

Pantalla	Causa	Medida
ERROR 2	No respalda iPod, iPhone e iPad.	Cambie a otro dispositivo. * La unidad principal regresará a modo de RADIO.

Si aparece un error diferente a los descritos anteriormente, presione el botón **[RESET]**. Si persiste el problema, desconecte y consulte la tienda donde realizó la compra.

* Al presionar el botón **[RESET]**, se borran las estaciones de radio prefijadas, los títulos, etc., que estaban almacenados en la memoria.

8. ESPECIFICACIONES

Sintonizador de FM

Gama de frecuencias:
América del Norte: 87.9 - 107.9 MHz
Europa: 87.5 - 108 MHz
Asia y Australia: 87.5 - 108 MHz
Sensibilidad utilizable: 8 dB μ V
Selectividad de canales alternativos: 60 dB
Separación estéreo (1 kHz): 30 dB
Respuesta a la frecuencia (± 3 dB):
30 Hz - 15 kHz

Sintonizador de AM

Gama de frecuencias:
América del Norte: 530 kHz - 1710 kHz
Europa: 531 kHz - 1602 kHz
Asia y Australia: 531 kHz - 1629 kHz
Sensibilidad utilizable: 28 dB μ V

Sintonizador WB

Gama de frecuencias: 162.400 - 162.550 MHz
Longitud del paso: 25 kHz

Modo MP3/WMA

Tasa de muestreo de MP3: 8 kHz - 48 kHz
Tasa de bit de MP3: 8 kbps a 320 kbps / VBR
Tasa de bit de WMA: 8 kbps a 320 kbps
Formato lógico: ISO9660 nivel 1,2
Sistema de archivos Joliet

USB

Especificación: USB 1.1
Fuente de alimentación de USB: 5 V de CC, 2.1 A
Formato de audio reproducible:
MP3 (.mp3); MPEG 1/2/Audio Capa-3
WMA (.wma); Ver 7/8/9.1/9.2

Bluetooth

Especificación: Bluetooth Ver. 2.1+EDR
Perfil:
A2DP (Perfil de distribución de audio avanzado)
AVRCP (Perfil de control remoto de AV)
Sensibilidad para enviar/recibir: Clase 2
Frecuencia de funcionamiento: 2402 MHz a 2480 MHz
Potencia de salida de RF: ≤ 20 dBm

Amplificador de audio

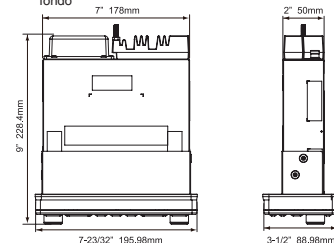
Potencia máxima de salida: 180 W (45 W x 4 canales)
Acción de control de bajos (100 Hz): +6 dB, -6 dB
Acción de control de agudos (10 kHz): +6 dB, -6 dB
Nivel de salida de línea (USB 1 kHz): 4 V

Entrada

Sensibilidad de entrada de audio:
Alta: 320mV (con salida de 1V)
Media: 650mV (con salida de 1V)
Baja: 1,3 V (con salida de 1V)
(impedancia de entrada: 10 k Ω o mayor)
Nivel de entrada auxiliar: ≤ 2 V

General

Voltaje de la fuente de alimentación:
14,4 VCC (10,8 - 15,6 V permitido),
tierra negativa
Voltaje de salida del preamplificador:
4,0 V (modo de reproducción de USB: 1 kHz,
0 dB, 10 k Ω de carga)
Fusible: 15 A
Dimensiones de la unidad principal:
196 mm de ancho x 88,8 mm de alto x 235,6 mm
de fondo
7-23/32 de ancho x 3-16/32 de alto x 9-9/32 de
fondo
Peso de la unidad principal: 1,94 lb. (0,88 kg)
Dimensiones de la unidad de control remoto:
43 mm de ancho x 11 mm de alto x 113 mm de
fondo



1-2/3 de ancho x 2/5 de alto x 4-2/5 de fondo
Peso de la unidad de control remoto:

Nota:

- Las especificaciones y el diseño están sujetos a cambio sin previo aviso para mejoras adicionales.

Potencia de salida:
18W RMS x 4 canales a 4 Ω
y 1% THD+N

Relación de señal a ruido:
94 dBA (referencia: 1 W a 4 Ω)



9. GUÍA DE CONEXIÓN / INSTALACIÓN DE LOS CABLES

ÍNDICE

1) Antes de comenzar	56
2) Contenido del paquete	56
3) Precauciones generales.....	56
4) Precauciones con la instalación.....	56
5) Instalación de la unidad fuente.....	56
6) Precauciones con el cableado	57
7) Sistemas de muestra	57
8) Cableado y conexiones.....	58/59
9) Conexión de los accesorios	58/59

1) Antes de comenzar

- Este conjunto es exclusivo para usarse con una fuente de alimentación de 12 V y tierra negativa.
- Lea detenidamente estas instrucciones.
- Asegúrese de desconectar la "terminal" de la batería antes de comenzar. Esto es para prevenir cortos circuitos durante la instalación. (Figura 1)

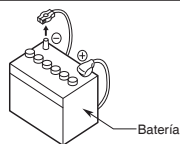


Figura 1

2) Contenido del paquete

Unidad fuente	1	Tuerca M4	1
Cable de salida AUX.....	1	Arandela M4	2
Cable de entrada AUX.....	1	Tomillos M4 x 30 mm	6
Cable de SiriusXM / SWC.....	1	Cable de la fuente de alimentación	1
Cable de control remote.....	1	Manual del propietario	1
Sello del bloque del orificio (negro)	1	Tarjeta de garantía	1
Correa de apoyo.....	1		

3) Precauciones generales

- No abra la caja. No hay partes a las que el usuario pueda dar servicio. Si se le cae algo en la unidad durante la instalación, consulte con su distribuidor o con un centro de servicio autorizado de **Clarion**.
- Use un paño suave y seco para limpiar la caja. Nunca use un paño áspero, diluyente, bencina o alcohol, etc. Para mugre difícil, aplique un paño suave húmedo y limpie la mugre con suavidad.

4) Precauciones con la instalación

- Prepare todos los artículos necesarios para instalar la unidad fuente antes de comenzar.
- Instale la unidad a menos de 30° del plano horizontal. (Figura 2)
- Si tiene que hacer algún trabajo a la carrocería del barco, como perforar orificios, consulte con anticipación a su distribuidor de barcos.
- Utilice los tornillos incluidos en la instalación. Si utiliza otros tornillos podría ocasionar daños. (Figura 3)

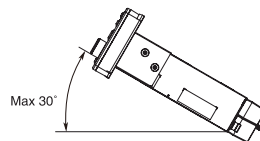


Figure 2

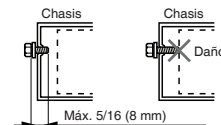


Figura 3

5) Instalación de la unidad fuente

• Dimensiones de montaje estéreo marino

Utilice la plantilla incluida para cortar el orificio y perforar los orificios. (Figura 4)

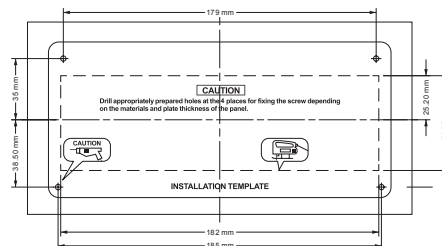


Figura 4

Orificios (6)

PRECAUCIÓN

Perfore adecuadamente los orificios preparados en los 4 lugares para fijar el tornillo, dependiendo de los materiales y del espesor de la placa del panel.

1. Inserte la unidad fuente en el orificio recortado hasta el final. (Figura 5)
2. Use los tornillos incluidos (M4 x 30) para asegurar la unidad fuente. (Figura 5)
3. Use la correa de soporte para fijar la unidad fuente en la parte posterior de la tuerca M4 suministrada. (Figura 5)

Nota:

Algunos modelos de barcos requieren juegos de montaje especial para realizar una instalación adecuada.

Consulte los detalles con su distribuidor **Clarion**.

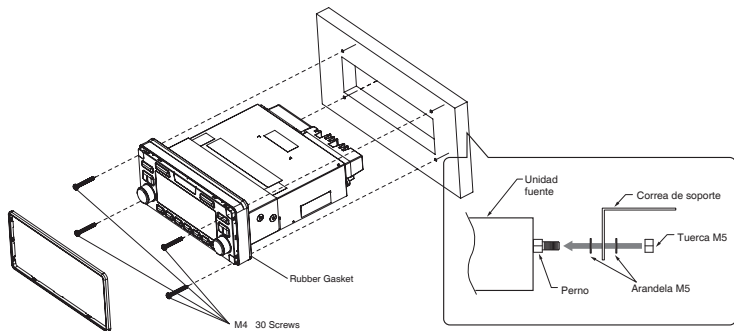


Figura 5

Nota:

Confirme que la junta de goma esté sujeta firmemente al panel base.

6) Precauciones con el cableado

1. Asegúrese de desactivar la electricidad al cablear.
2. Tenga cuidado en especial cuando encamine los cables. Manténgalos a una buena distancia del motor y el tubo del escape, etc. El calor puede dañar los cables.
3. Si el fusible se funde, compruebe para ver si el cableado está correcto. Si lo está, reemplace el fusible con uno nuevo con el mismo amperaje nominal que el original.
4. Para reemplazar el fusible, abra el seguro por el lado de la unidad fuente, quite el fusible usado e inserte el nuevo. (Figura 6)

* Existen varios tipos de cajas de fusible. No deje que el terminal por el lado de la batería toque otras piezas metálicas.

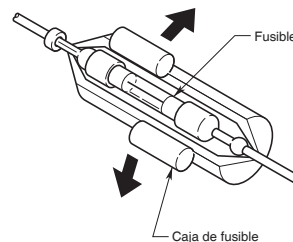
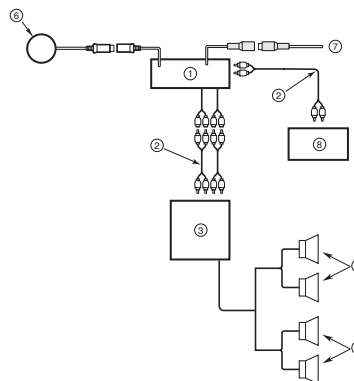


Figura 6

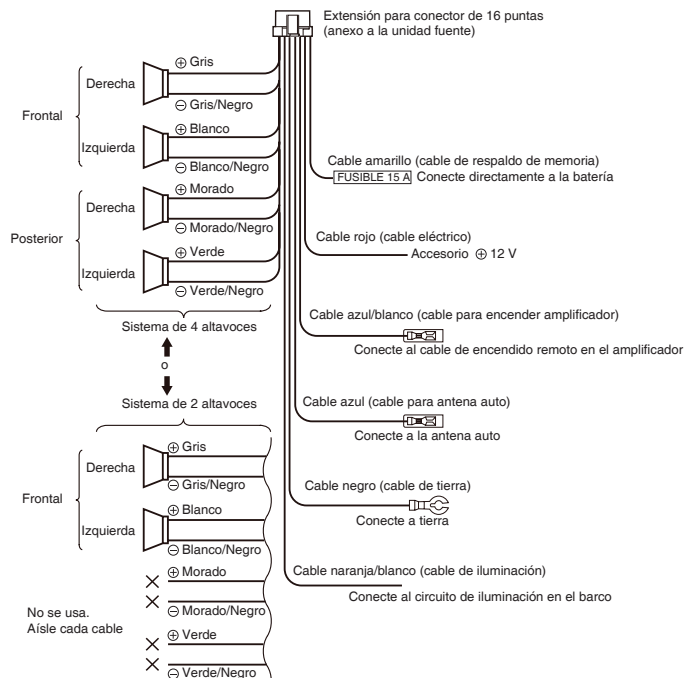
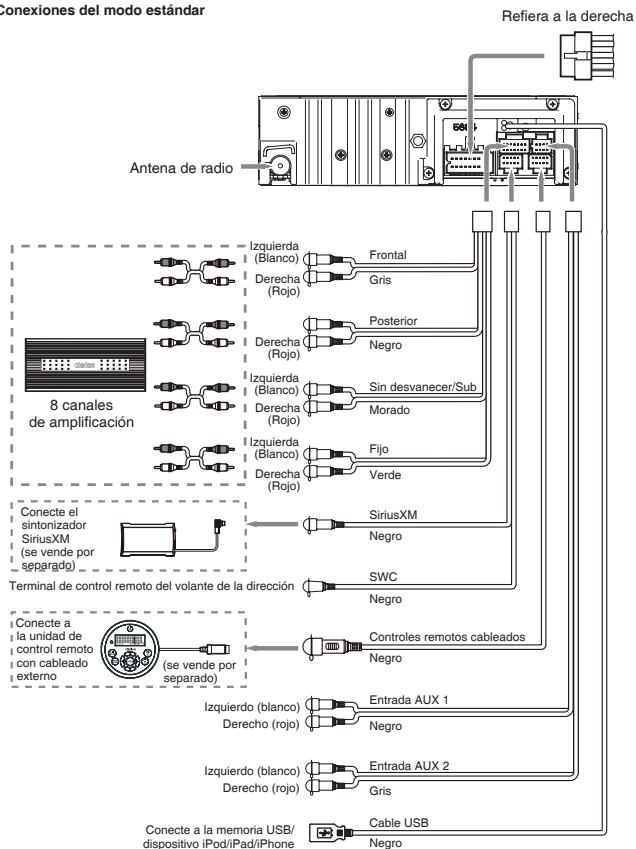
7) Sistemas de muestra



1	Unidad fuente
2	Cable de extensión RCA (se vende por separado)
3	Amplificador de potencia de 4 canales
4	Altavoces frontales
5	Altavoces posteriores
6	Unidad de control remoto cableada
7	Sintonizador para barco SiriusXM-Connect
8	AUX

8) Cableado y conexiones

Conexiones del modo estándar



9) Conexión a los amplificadores externos

• Conexión a los amplificadores externos

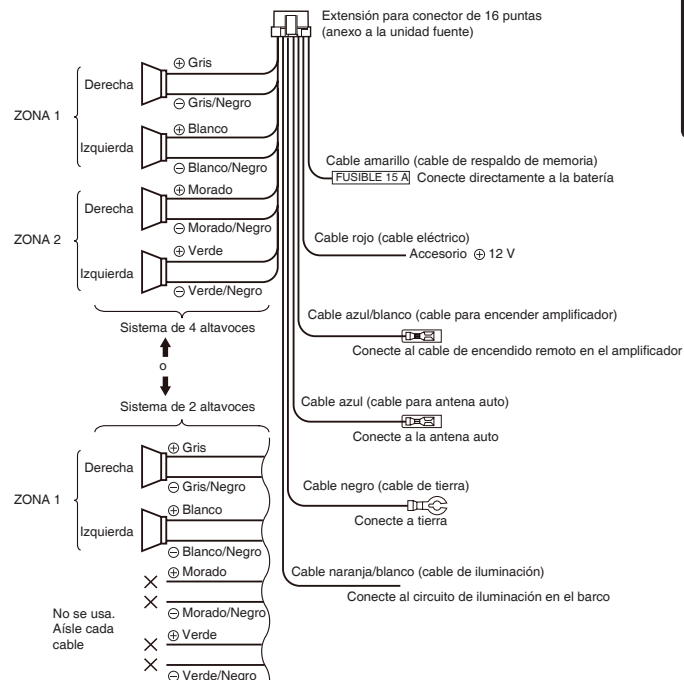
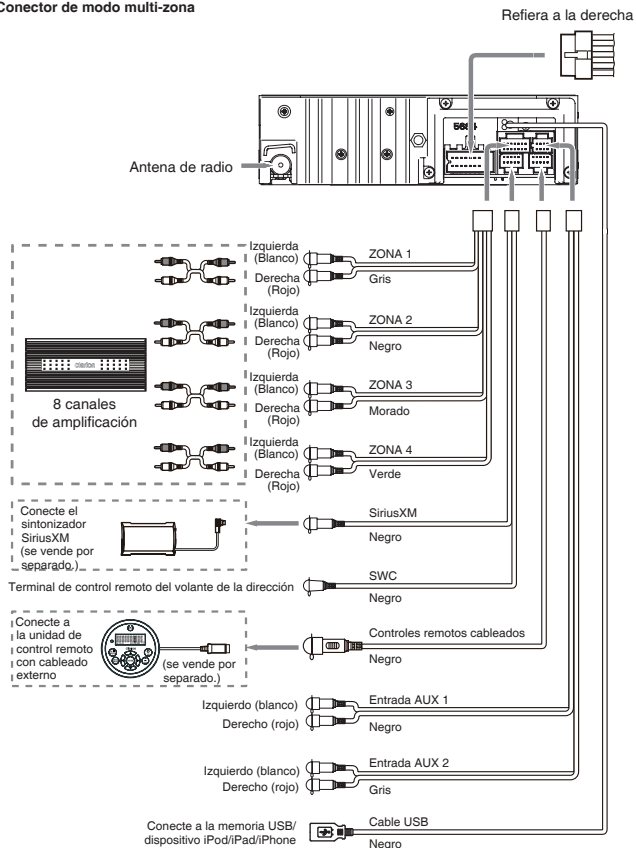
Los amplificadores externos se pueden conectar a los conectores de salida RCA de 4 canales. Asegúrese de que los conectores no estén conectados a tierra ni en corto, para prevenir daños a la unidad.

• Si el M608 está conectado a un sistema MULTI-ZONA con RCA de zona 3 y zona 4 conectados a los amplificadores, no cambie el M608 al modo ESTÁNDAR.

Si lo hace provocará que el amplificador de zona 3 reproduzca solo bajas frecuencias y que el amplificador de zona 4 reproduzca las frecuencias de todo el rango con el volumen máximo. Esto podría ocasionar posibles daños al altavoz y/o a la audición.

8) Cableado y conexiones

Conector de modo multi-zona



9) Conexión a los amplificadores externos

• Conexión a los amplificadores externos

Los amplificadores externos se pueden conectar a los conectores de salida RCA de 4 canales. Asegúrese de que los conectores no estén conectados a tierra ni en corto, para prevenir daños a la unidad.

- Si el M608 está conectado a un sistema MULTI-ZONA con RCA de zona 3 y zona 4 conectados a los amplificadores, no cambie el M608 al modo ESTÁNDAR.

Si lo hace provocará que el amplificador de zona 3 reproduzca solo bajas frecuencias y que el amplificador de zona 4 reproduzca las frecuencias de todo el rango con el volumen máximo. Esto podría ocasionar posibles daños al altavoz y/o a la audición.

Notes:

Clarion® Declaration of Conformity

Déclaration de conformité /
Declaración de conformidad /
Konformitätserklärung /
Dichiarazione di conformità

CE

English:

Hereby, Clarion Corporation of America declares that this model M608 is in compliance with the essential requirements and other relevant provisions of Directive 2014/53/EU.

The full text of the EU declaration of conformity is available at the following internet address: <http://www.clarion.com/xen/product-compliance/clarion/re-doc/17DC-CE02/index.html>

Français:

Clarion Corporation of America déclare par la présente que ce modèle M608 est conforme aux exigences essentielles et aux autres dispositions pertinentes de la Directive 2014/53/EU.

Le texte intégral de la déclaration de conformité européenne est disponible à l'adresse Internet suivante: <http://www.clarion.com/xen/product-compliance/clarion/re-doc/17DC-CE02/index.html>

Español:

Por la presente, Clarion Corporation of America declara que este modelo M608 cumple con los requisitos esenciales y otras disposiciones aplicables de la Directiva 2014/53/UE.

El texto completo de la declaración de conformidad de la UE se encuentra disponible en la siguiente dirección de Internet: <http://www.clarion.com/xen/product-compliance/clarion/re-doc/17DC-CE02/index.html>

Deutsch:

Hiermit erklärt Clarion Corporation of America dass das Modell M608 der Richtlinie 2014/53/EU entspricht.

Der vollständige Text der EU-Konformitätserklärung ist unter der folgenden Internetadresse verfügbar: <http://www.clarion.com/xen/product-compliance/clarion/re-doc/17DC-CE02/index.html>

Italiano:

Clarion Corporation of America ivi dichiara che il presente modello M608 è conforme ai requisiti essenziali e ad altre disposizioni della Direttiva 2014/53/UE.

Il testo completo della Direttiva di conformità UE è disponibile al seguente indirizzo Web: <http://www.clarion.com/xen/product-compliance/clarion/re-doc/17DC-CE02/index.html>

IMPORTER / IMPORTATEUR / IMPORTADOR:

Clarion Europe S.A.S.

244 rue du Pré à Varois, 54670 Custines, France

Clarion Co., Ltd.

Copyright © 2018 Clarion Co., Ltd.

Printed in China / Imprimé en Chine / Impresso en China