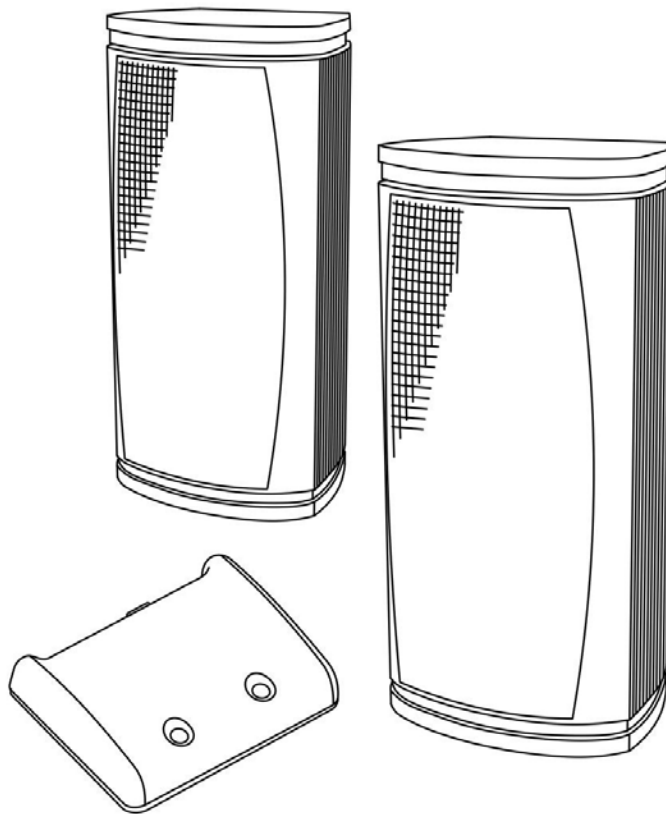




## 2.4GHz Digital Wireless Speakers



### **User's Manual**

Please read before using the equipment.  
Please visit [www.promowide.com](http://www.promowide.com) for details.

## **INTRODUCTION**

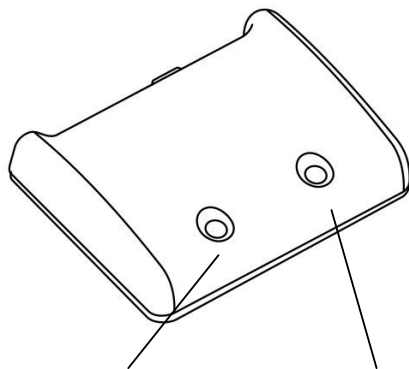
This 2.4G digital wireless speakers system uses latest wireless technology that enables you to enjoy music and TV sound anywhere inside or outside your home. You can simply connect the system to any audio source such as Radio, TV, VCR, Hi-Fi and i-Pod/CD/MP3/VCD/DVD player. Without complicated wiring and installation with your Audio/Video equipments and rear channel amplifier, the system enables you to enjoy thrilling, lifelike sound in minutes.

## **FEATURES**

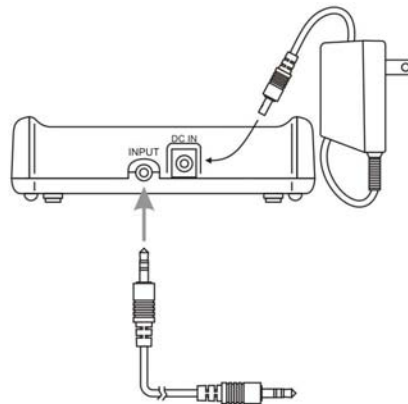
1. 2.4G Digital technology.
2. Digital technology lets you roam freely throughout anywhere at your house.
3. Purely digital sound travels freely through walls, floors, ceiling, etc.
4. Operating distance up to 100 feet in open area.
5. No line of sight limitation.
6. Virtually interference free audio quality.
7. Auto tuning control for the best reception.
8. 8-channels Auto Frequency Searching System.
9. Smart interfaces connected with i-Pod, MD, CD, MP3, Hi-Fi, TV, etc.

## **COMPONENT IDENTIFICATION**

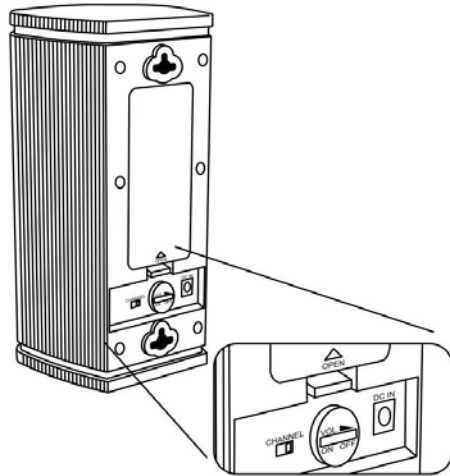
### TRANSMITTER



CHANNEL BUTTON    POWER ON/OFF BUTTON (BLUE LED)



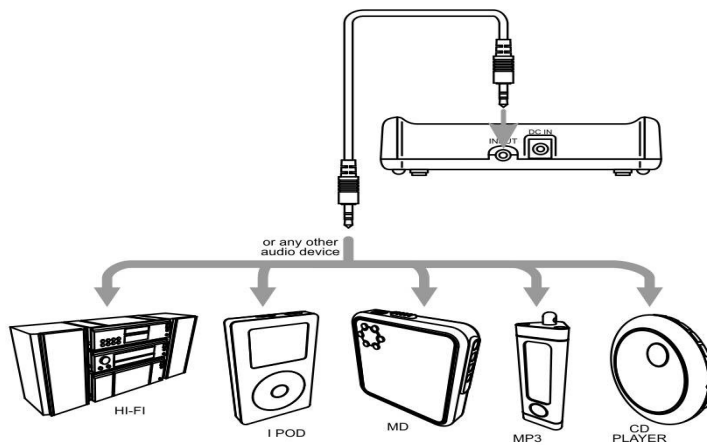
## SPEAKER RECEIVERS



## **INSTALLATION**

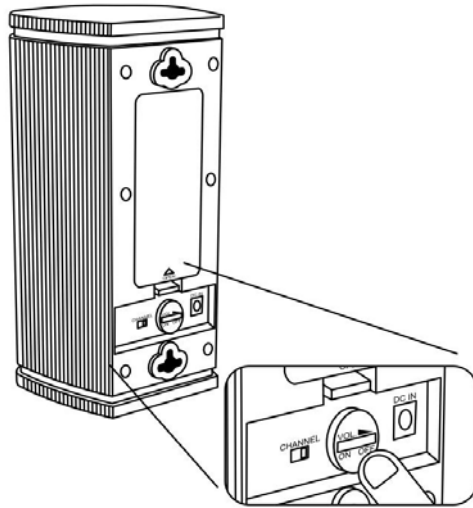
### TRANSMITTER

1. Connect the supplied AC/DC power adaptor to an electrical wall outlet.
2. Plug the AC/DC power adaptor in the DC jack located on the rear of the transmitter.
3. Plug in the AC adapter and press on the "Power" button, the blue POWER LED illuminates. If the blue POWER LED does not illuminate, make sure the adapter is plugged in.
4. You can connect different kinds of audio devices, such as i-Pod, MP3 or MD to the transmitter by the audio cord provided.



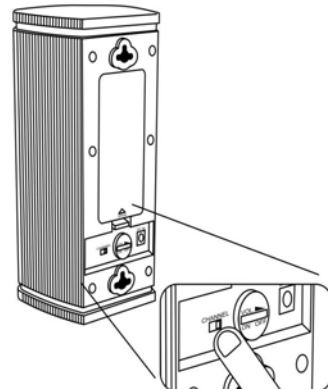
## **SPEAKER RECEIVERS**

1. Insert 6 pieces 'AA' size ALKALINE batteries into the battery compartment with correct polarity at the back of each speaker (batteries not included in the package) or connect the 12V power adaptor to the DC input jack on the back of each speaker, then plug them to the wall AC outlet.
2. Tune the On/Off button of the speakers to ON position and adjust the volume level. The POWER LED at the front will light up in green. Switch off the speakers by tuning the ON/OFF button to OFF position, the LED will become off.



## **OPERATION**

1. Turn on the audio source (TV or audio component) to which the transmitter is connected with.
2. The best channel out of 8 channels on the transmitter will be automatically selected for the best performance.
3. Turn on the ON/OFF button on the speakers. Press the "CHANNEL" button to get the best channel in the speakers if you find any bad reception.
4. You can adjust the volume to your desired listening level by tuning the volume button.



5. You should now be able to place your speakers freely from room to room without disruption. Should there is any disruption (signal cuts off or carries distortion), press the speaker's "CHANNEL" button to maximize the best reception.

If you could still hear the interference, press the "CHANNEL" button on the transmitter as well.

When transmitting / receiving over long distances, the signal from the system will become weaker.

**This device must be used with the AC/DC adapters supplied in the package.**

## **TROUBLE SHOOTING**

### **NO SOUND**

- Ensure the AC/DC adaptor is fully inserted into the AC outlet and the power connection input on the transmitter.
- Ensure the speakers are ON.
- Speaker's battery capacity is too low, replace with new batteries or connect the AC/DC adaptor to the speaker.
- Ensure the TV or audio component is ON.
- The connected audio / video equipment is not playing. Start playing the equipment.
- The volume of speakers are too low, adjust the volume to an appropriate level.

### **DISTORTED**

- Press the "CHANNEL" button on the speakers.
- If there is still interference, press the "CHANNEL" button on the transmitter until matching the frequency of the speaker.
- Battery capacity is too low. Replace with the new battery.
- Ensure the volume levels of speakers are adjusted properly.
- The speakers are too far away from the transmitter, move it closer.
- The input level of the audio signal is too high. Turn down the volume of the audio source equipment.

## **TECHNICAL SPECIFICATIONS**

Transmission Mode	:	UHF
Carrier Frequency	:	2.4G Digital
Operation Voltage	:	Transmitter, DC 9V 150mA 6 X 'AA' size Alkaline batteries for each speaker (not included) or DC 12V 600mA adaptors (included)
Frequency Response	:	20Hz – 20KHz
Distortion	:	0.5%
S/N Ratio	:	80dB (typical)
Channel Separation	:	65dB (Typical)
Operation Distance	:	Up to 100 feet in open area
Output Power	:	2.5 Watts per channel

### **NOTE:**

#### **1. Federal Communication Commission Interference Statement**

This equipment has been tested and found to comply with the limits for a Class B digital device, pursuant to Part 15 of the FCC Rules. These limits are designed to provide reasonable protection against harmful interference in a residential installation.

This equipment generates, uses and can radiate radio frequency energy and, if not Installed and used in accordance with the instructions, may cause harmful interference to radio communications. However, there is no guarantee that interference will not occur in a particular installation. If this equipment does cause harmful interference to radio or television reception, which can be determined by turning the equipment off and on, the user is encouraged to try to correct the interference by one of the following measures:

- Reorient or relocate the receiving antenna.
- Increase the separation between the equipment and receiver.
- Connect the equipment into an outlet on a circuit different from that to which the receiver is connected.
- Consult the dealer or an experienced radio/TV technician for help.

**FCC Caution:** To assure continued compliance, any changes or modifications not expressly approved by the party responsible for compliance could void the user's authority to operate this equipment. (Example - use only shielded interface cables when connecting to computer or peripheral devices).

### **1.1 FCC Radiation Exposure Statement**

This equipment complies with FCC RF radiation exposure limits set forth for an uncontrolled environment. This equipment should be installed and operated with a minimum distance of 20 centimeters between the radiator and your body.

This device complies with Part 15 of the FCC Rules. Operation is subject to the following two conditions:

(1) This device may not cause harmful interference, and (2) This device must accept any interference received, including interference that may cause undesired operation.

## **LIMITED WARRANTY**

PARAGON PRODUCTS INTERNATIONAL INC. (The Company) warrants to the original retail purchaser of this product that should this product proven to have defects in materials or workmanship for a period of one year from the date of purchase, Paragon will repair such defects or replace this product with one of similar features and price, without charge for parts and repair labor. Any product which has been subject to misuse, improper installation, accidental damage or removable parts are excluded from this warranty.

### **How to Obtain Service**

Should this product require service, please return the product with proof of warranty coverage (e.g. dated bill of sale), copy of warranty card, the return sheet with a brief explanation of the problem, to the company at the address shown below at transportation prepared by the retail purchaser:

**Paragon Products International Inc.**

**2168 S. Atlantic Blvd., #312**

**Monterey Park, CA 91754**

**U.S.A.**

**Call at: 1-800-xxxx or email at: [info@paragon-us.com](mailto:info@paragon-us.com)**

**<http://www.promowide.com>**

This warranty gives you specific legal rights and you may have other legal rights that vary from state to state.