

Wireless Outdoor Bell Box (BX-32 / BX-32-F1)

Mar 22, 2017

The Outdoor Bell Box is used to attract attention when alarm signal is received from Control Panel, by activating its siren and strobe light. The Bell Box can also alert you to tamper violation, and low battery status.

Identifying the Parts

1. Tamper Switch

The Tamper switch will be activated when the Bellbox is removed from mounted surface, or when its cover is opened.

2. Battery Compartment

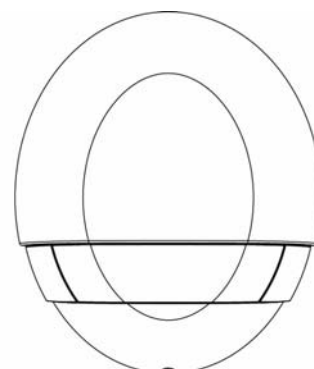
The Bellbox is powered by two 1.5V D-Cell alkaline batteries.

3. Battery Switch

4. Wall Mounting Holes x 3

5. Learn Button

6. LED 3 & 2 & 1 (From Left to Right)



Accessories included

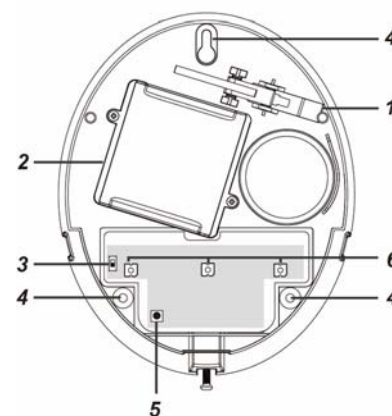
In addition to the Bell Box itself, the following accessories are also included in the package:

- 3 x large wall plugs.
- 3 x fixing screws for wall mounting
- 2 x 1.5V D alkaline batteries (pre-inserted)

Battery and Low Battery Detection

The Bellbox is powered by 2 1.5V Alkaline D batteries, it features low battery detection and will transmit low battery signal when low battery voltage is detected.

When changing batteries, after removing the old battery, press the Tamper Switch a couple times to fully discharge before inserting new battery



Supervision

The Bellbox will transmit a supervisory signal every 30-50 minutes in normal operation mode. If this signal is not received, the Control Panel will indicate that the particular Bellbox is experiencing an out-of-order problem.

Function Overview

● Alarm Memory

If an alarm was triggered in your absence and the system was not disarmed before alarm length expiry, the Bellbox will sound a short alarm when the system is disarmed to warn the user that an alarm has been triggered when he is away. This suggests that the intruder could still be within the premises.

● Alarm Length

When an alarm is activated by Control Panel, the Control Panel will notify the Bellbox to start alarming according to the panel's own alarm length setting. When the Panel's alarm length expires, it will notify the Bellbox to stop alarm.

If the Bellbox does not receive the Control Panel's signal to stop alarm, it will sound alarm for a maximum of 3 minutes, then stop the alarm.

For example:

- > If the Panel alarm length is set more than 3 minutes, after an alarm is activated, instead of waiting panel alarm length to expire, the Bellbox will stop alarming after 3 minutes.
- > If the panel is under disarm mode and the Bellbox tamper switch is triggered, the Bellbox will activate alarm for 3 minutes since the panel is under disarm mode and will not activate alarm from tamper trigger.

● Siren Tamper

The Bellbox is protected against any attempt to open the lid or to detach the bellbox from its mounting surface.

If the Bellbox detects a tamper condition, it will activate the siren & strobe light for the programmed alarm period. A tamper signal will be sent to the Control Panel along with regular signal transmissions for the Control Panel to display the status accordingly. If the tamper condition persists, the Bellbox will sound a series of five beeps either every time the system is armed or when the tamper is enabled, to indicate a fault.

Tamper feature can be disabled temporarily from the Control Panel using Siren Tamper control function. The Bellbox will stop tamper detection temporarily for one hour. This function is mainly designed for replacing battery or changing Bellbox installation location. After one hour, The Control Panel will automatically turn the function back ON after the duration. The tamper detection can also be enabled again manually using the Siren Tamper function.

● Audio & Visual Status Indication

While arming / disarming the system, the Bellbox uses different methods to distinguish various statuses for the user, as listed in the table.

	Siren Audio	Strobe light indication
Arm/Home	1 beep*	3 LED groups flash once
Disarm	2 beeps*	Sequentially flashes for 1 cycle
Arm (Low Battery)	3 beeps	3 LED groups flash for three times
Disarm (Low Battery)	3 beeps	Sequentially flashes for 3 cycles
Arm (Tamper)	5 beeps	3 LED groups flash for 5 times
Disarm (Tamper)	5 beeps	Sequentially flashes for 5 cycles
Entry/Exit Sound	Count-down beeps	

* The Siren Audio indication will be affected by the Confirmation ON / OFF setting. When setting Confirmation to OFF, the confirmation sound will not be available. Refer to Control Panel **Sound/Siren** setting for Confirmation function.

Getting Started

Learning

- Step 1: Release the bottom screw of the Bellbox using a Philips screwdriver and remove the top cover.
- Step 2: Put the Control Panel into learning mode (refer to Control Panel's user manual for details).
- Step 3: Slide the battery switch to ON position to power on the Bellbox. All LEDs will flash once and the buzzer will emit 1 beep.
- Step 4: Press the Learn button once. The Bellbox will emit a short beep and LED 1 & 3 will turn on briefly. The Bellbox is now in learning mode and will transmit a learning code to the Control Panel.
- Step 5: If the Control Panel did not receive a learning code, press the learn button again (the Bellbox will not sound a beep this time).
- Step 6: If the Control Panel receives the learning code, it will list the device information accordingly, follow Control Panel manual instruction to complete the learning procedure. An acknowledgement will be sent to the Bellbox. When the acknowledgment is received, the Bellbox will sound a short beep and flash LED 2 once to indicate that learning process is successful. The Bellbox will then leave learning mode.
- Step 7: Refer to the Control Panel manual and use Edit Device function to check Bellbox settings. You can edit the operation area, zone number, and device name for the Bellbox.

<NOTE>

- ☞ If the learning process fails, please remove the Bellbox from the Control Panel and repeat Steps 4-7 again.
- ☞ If the Bellbox does not receive the confirm code from the Control Panel within one minute, the Bellbox will leave learning mode. Restart learning process from Step 4.

Edit Bellbox Operation Area

Follow instruction below to change Bellbox Operation Area in the Control Panel

- Step 1: Use the panel Edit Device function to change Bellbox area setting.
- Step 2: Press the learn button on the Bellbox to send signal to panel, the Bellbox will emit a beep and flash LED 1 & 3 once.
- Step 3: When the Bellbox receives acknowledgement signal from panel, it will emit a beep and flash LED 2 once to indicate the setting has been updated. The Bellbox will return to normal operation.

Installation

Proceed to installation after complete learning.

- Step 1. Disable the Siren Tamper function on the Control Panel (please refer to the Control Panel instruction manual). The bellbox will sound a beep to indicate the tamper switch is now disabled.

<NOTE>

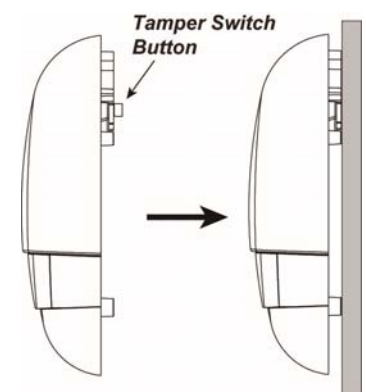
- ☞ The function Siren Tamper will only turn OFF for a duration of one hour. The Control Panel will automatically turn the function back ON after the duration.

- Step 2. Find the location where the Bellbox is to be mounted.
- Step 3. Remove the Top cover by releasing the bottom screw using a Philips screwdriver and remove the top cover.
- Step 4. Hold the Bellbox at the position where it will be mounted, supply power to Bellbox
- Step 5. Check whether BX has a strong enough signal with the Control Panel by putting the Control Panel into **Walk Test** mode (please refer to Control Panel manual). Press the **Learn Button** check whether the signal is strong enough (please refer to Control Panel manual for signal strength).

- Step 6. If you are satisfied with the signal strength, Identify the 3 mounting holes, mount and fix the Bellbox on the wall using the large screws and wall plugs provided. Secure the screws using a Philips screwdriver. Make sure the Tamper Switch is fully depressed against the wall

<NOTE>

- ☞ The tamper switch protrudes through the back of the unit. When the siren is pulled off from the wall, the alarm will be activated. Ensure it is fully depressed when the siren is mounted. If there is a gap, pack with suitable spacing material.



- Step 7. Replace the Top cover and tighten the bottom screw using a Philips screwdriver.
- Step 8. Enable Siren Tamper function in the Control Panel (Please refer to the Control Panel instruction manual)
- Step 9. Check if the installation is successful by testing from the Control Panel by arming and disarming function. Successful arming/disarming is indicated by the table provided in **Audio & Visual Status Indication**.

<NOTE>

- ☞ If 5 short-beeps are noticed while arming/disarming, it means the tamper is not fully depressed. Check to ensure that tamper is properly set and then test from Control Panel again.
- Step 10. The installation is now completed.

Changing the Battery

- Step 1: Disable the Siren Tamper function on the Control Panel (please refer to the Control Panel instruction manual). The Bellbox will sound a beep to indicate the tamper switch is now disabled.
- Step 2: Release the cover-fixing screw at the bottom of Bellbox using a Philips screwdriver and pull the outer case out carefully.
- Step 3: Slide battery switch to the off position.
- Step 4: The battery compartment is a large box in the Bellbox with a lid secured by 2 screws. Release the screws using a Philips screwdriver and take off the compartment lid.
- Step 5: Remove the old batteries and press the Tamper Switch a couple times to discharge.
- Step 6: Insert new batteries into the battery compartment.
- Step 7: After inserting batteries, slide the battery switch to ON position. All LEDs will flash once and the buzzer will emit 1 beep as the Bellbox powers on.
- Step 8: Replace and secure the battery compartment lid, with 2 screws using a Philips screwdriver.
- Step 9: Replace and secure the Top cover by tightening the bottom screw using a Philips screwdriver.
- Step 10: Enter the Control Panel **Sound/Siren** setting webpage to enable the Siren Tamper function again. The Bellbox will sound a beep to indicate the tamper switch is now activated.

Factory Reset

The Bellbox can be reset and memory contents cleared. Whenever the Bellbox is removed from the Control Panel, it should be put to factory reset to clear its Control Panel memory, otherwise the Bellbox will still raise alarm if it receives alarm signal from panel.

- Step 1: Disable the Siren Tamper function on the Control Panel (please refer to the Control Panel instruction manual). The Bellbox will sound a beep to indicate the tamper switch is now disabled.
- Step 2: Remove the Bellbox from Control Panel device list (please refer to the Control Panel instruction manual).
- Step 3: Release the bottom screw of the Top cover using a Philips screwdriver, remove the top cover..
- Step 4: Slide the battery switch to the OFF position.
- Step 5: Press and hold the Learn Button and slide the battery switch to BT4 terminal. Continue to hold the Learn Button for **7** seconds. Release the Learn Button when you hear 2 short beeps and a long beep. The previous parameters in the Bellbox will be cleared and it will return to normal mode.

This device complies with Part 15 of the FCC Rules. Operation is subject to the following two conditions:
(1) This device may not cause harmful interference, and
(2) This device must accept any interference received, including interference that may cause undesired operation.