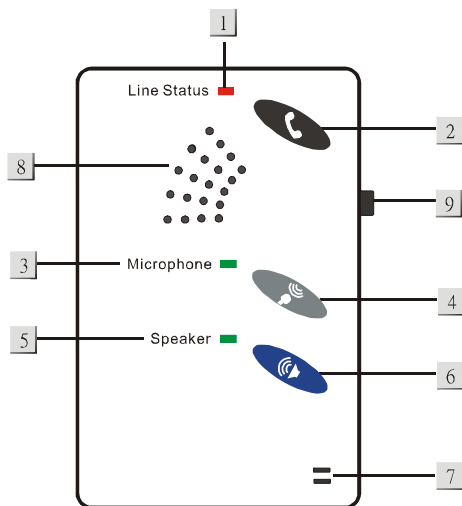


Application Overview

I. Identifying the parts

TOP VIEW



1 ANSWER LED (DUAL COLOUR GREEN + RED LED)

- Power Indicator; ANSWER LED light ON in GREEN when Power is ON and system is in Stand-By Mode.
- ANSWER LED flashes in GREEN and RED alternately when CTC-808 detects a line fault (e.g. Phone-Line is not connected)
- ANSWER LED light ON in RED when CTC-808 is in service during a phone conversation.

2 ANSWER BUTTON

- Press once to answer the incoming call.
- Press again to terminate the call.

3 MICROPHONE LED

- Microphone Active Mode Indicator; the LED light ON in GREEN when the microphone is active.
- The LED dims when microphone is OFF.

4 MICROPHONE BUTTON

- Press once to activate the Microphone.
- Press again to deactivate the Microphone.

5 SPEAKER LED

- Speaker Active Mode Indicator; the LED light ON in GREEN when the speaker is active.
- The LED dims when speaker is OFF.

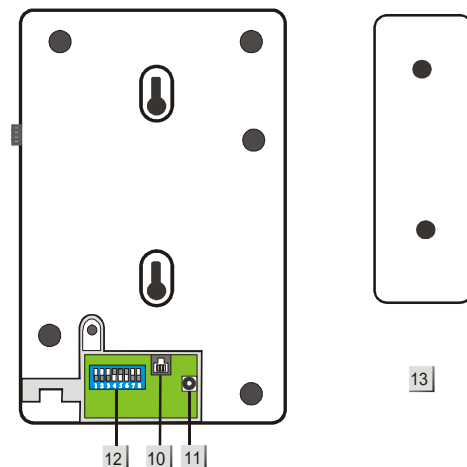
6 SPEAKER BUTTON

- Press once to activate the Speaker.
- Press again to deactivate the Speaker.

7 MICROPHONE

8 SPEAKER

REAR VIEW



9 SPEAKER VOLUME CONTROL

- Slide upward for louder volume; Slide downward for lower volume. .

10 PHONE LINE JACK

- This jack is for the connection to the Telephone unit

11 DC JACK

- For connecting the DC 12V 500mA power adaptor

12 FUNCTION SETTING DIP SWITCH

13 WALL MOUNTING BRACKET

II. The Power Supply

CTC-808 is powered by an AC switching power adaptor connecting to a wall outlet. Be sure to only use an adaptor with the appropriate AC voltage rating to prevent component damage. The power adaptor specification is INPUT: 100-240VAC 50/60Hz, Output: 12V $\overline{\text{---}}$ 0.5A 6W MAX.

● AC Adaptor Application:

An Adaptor is supplied with CTC-808 and ready to be connected to the wall outlet when shipped.

- At the back of CTC-808, locate the DC Jack and connect to the Adaptor.
- Plug the AC Adaptor pinhead to a wall outlet.
- Once the power is applied, CTC-808 will emit 2 short beeps with the following LED performance:

■ If the telephone line is NOT connected to CTC-808:

ANSWER LED flashes in GREEN and RED alternately to indicate that the telephone line is not properly connected.

MICROPHONE & SPEAKER LED light ON in GREEN for one sec and then dims.

■ If the telephone line is connected to CTC-808:

ANSWER LED turns permanently ON in GREEN.

MICROPHONE & SPEAKER LED light ON in GREEN for one sec and then dims.

System is now in Stand-By Mode with MICROPHONE & SPEAKER LED act as they are previously set up.

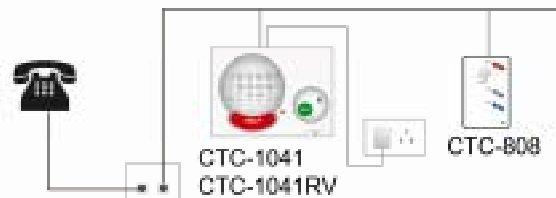
● Rechargeable Battery:

- In addition to the adaptor, there is a rechargeable battery inside the device that serves as a back up in case of a power failure.
- The battery used is a 6 x 600 mA H Ni-mH rechargeable battery pack.
- During normal operation, the AC power adaptor is used to supply power to CTC-808 and at the same time recharge the battery.
- When the battery is fully charged, it can provide back-up power for a period of at

least 15 hours. It takes approximately 48 hours to fully charge the battery.

III. Installing CTC-808

CTC-808 is designed to work in pair with a regular phone unit, any GARDSMAN Security Alarm Panels, or GARDSMAN Social Alarm Panels.



- Locate the wall outlet phone jack that shares the same line circuit for both CTC-808 and its paired product.
- Plug one end of the telephone cable into the wall outlet and the other to CTC-808.
- Use the two-hole Wall Mounting Bracket as a template, and mark off the holes' positions.
- Drill two holes and fix the screws & plugs provided.
- Hook the CTC-808 unit onto the Wall Mounting Bracket (holding the unit with the front facing you).

Configuring CTC-808

I. Microphone Sensitivity

Adjusting **SW #1 - SW #4** by sliding the Dip Switch Upwards / Downwards to choose the sensitivity level of Microphone.

- Among the 4 switches, only one Switch must be slid to ON position.
- Sliding SW1 up (ON position) while SW2 - SW4 remains down (OFF position), the microphone becomes the most sensitive with furthest range.
- Conversely, sliding SW4 up (ON position) while SW1 - SW3 remains down (OFF position), the microphone becomes the least sensitive with shortest range.

II. Ringer On/Off

CTC-808 can be programmed to have the ringer sounded or silenced when there is an incoming call. Adjust **SW #5** of the Dip Switch as shown below:

SW5	RINGER
OFF	SILENCE
ON	ENABLE

III. Warning Sound On/Off

CTC-808 can be programmed to emit 2 short warning beeps or to be silenced when the Handset hangs-up. Adjust **SW #6** of the Dip Switch Set as shown below:

SW6	OFF-HOOK BEEP
OFF	SILENCE
ON	ENABLE

<NOTE>

☞ When set as **Enable**, warning sounds are indicated as below:

- **Power On:** Beep x 2
- **On Hook:** Beep x 2
- **Hands Up** (DTMF 9 command received): Beep x 3
- **Off Hook:** Beep x 1

IV. Master Device Set Up

CTC-808 is designed to work in pair with a regular phone unit, any GARDSMAN Security Alarm Panels, or GARDSMAN Social Alarm Panels (Medical alarm panel).

To set CTC-808 in pair use with a particular device, adjust **SW #7 and SW #8** as shown below:

1. With Regular Phone unit or Voice Reporting Panel only:

SW7	SW8
OFF	OFF

It is used to adjust CTC-808 to work in pair with the following devices:

- Regular phone set
- Any Security or Social Alarm panel with voice reporting only (i.e. no Monitoring Center digital reporting is involved).

2. With digital Security alarm panel:

- Only compatible with the Security Alarm Panel via CID reporting

SW7	SW8
OFF	ON

After an alarm message is successfully acknowledged by the Monitoring Center, CTC-808 will respond according to the setting in the Panel.

3. With digital Social alarm panel (Medical alarm panel):

- Only compatible with the Social Alarm Panel (Medical alarm panel) via CID reporting and the Follow-On setting is set as "Wait Command" (please refer to the Panel manual)

SW7	SW8
ON	OFF

After an alarm message is successfully acknowledged by the Monitoring Center, the Social alarm panel will wait the DTMF "1", "2" or "3" command from the Monitoring Center. CTC-808 will follow the command with the alarm panel.

DTMF “1” – opens Microphone only for “Talk-Only Communication.
 DTMF “2” – opens both Microphone & Speaker for “Two-Way Voice”.
 DTMF “3” – opens Speaker only for “Listen-In Communication”

4. With digital Social alarm panel (Medical alarm panel) :

- Only compatible with the Social Alarm Panel (Medical alarm panel) via CID reporting and the Follow-On setting is set as “Two-way voice communication” or “Listen-in only” (please refer to the Panel manual)

SW7	SW8
ON	ON

After an alarm message is successfully acknowledged by the Monitoring Center, the Social alarm panel and CTC-808 enter either “Two-Way Voice Communication” or “Listen-in only”.

During the Two-Way Voice Communication” or “Listen-in, Monitoring Center can still control the alarm panel and CTC-808 remotely by DTMF command “1”, “2” or “3”

DTMF “1” – opens Microphone only for “Talk-Only Communication.
 DTMF “2” – opens both Microphone & Speaker for “Two-Way Voice”.
 DTMF “3” – opens Speaker only for “Listen-In Communication”

Operation

I. Incoming Calls

- Answered by Panel or Phone
 - CTC-808 activates when a call is answered by Panel or Phone handset.
 - During the entire call, user is free to turn ON/OFF the Microphone & Speaker by pressing their respective buttons.
 - After the call is terminated, Microphone and/or Speaker with their corresponding LED’s return their stand-by status.
 - Microphone and/or Speaker can still be freely controlled by remote command.
- Answered by CTC-808
 - Press ANSWER button, Answer LED changes from GREEN to RED.
 - Both Microphone and Speaker turn ON, both LED’s ON, regardless of their stand-by status.
 - During the entire call, user is free to turn ON/OFF the Microphone & Speaker by pressing their respective buttons.
 - Terminate the call by pressing ANSWER button at any time. Microphone, Speaker and their corresponding LED’s will return to their stand-by status settings.

II. Outgoing Calls

- When paired with digital Security or Social panels
 - CTC-808 is unable to make any outgoing call.
 - Press the Red (help) button on the Social Alarm Panel to make an outgoing code. After an alarm message is successfully acknowledged by the Monitoring Center, communication will be setup automatically among the Medical Panel, Monitoring Center and CTC-808.
- When paired with regular phone unit
 - Once the first number is entered within 10-second after the handset has been picked up, Microphone & Speaker will automatically operate according to their stand-by status five seconds after the last key pressing.
 - If the first number entering exceeds the 10-second time limit, user will have to turn ON/OFF the Microphone & Speaker manually.
 - During the entire call, user is free to turn

ON/OFF the Microphone & Speaker by pressing their respective buttons.

- After the call is terminated, Microphone and/or Speaker with their corresponding LED's return to their stand-by status.

III. Fault Detection

To enable CTC-808 to detect low battery, battery disconnection or AC failure conditions, it has to be learnt into the Social Alarm Panel (Medical Alarm Panel) first. The learning process is listed as below:

- a. Press both the Answer and Speaker buttons for 3 seconds and release both buttons until you hear a long beep. Then CTC-808 will transmit a learn code.
- b. If the Medical Alarm Panels successfully receives a learn code from CTC-808, CTC-808 is able to transmit a signal of low battery, battery disconnection or AC failure to the Control Panel after detecting those faults.

● Low Battery

- 30 seconds after CTC-808 detects the low battery condition, it will transmit a signal of low battery to the Medical Alarm Panel for notification.
- 30 seconds after CTC-808 detects the battery restore, it will transmit a signal to the Medical Alarm Panel for notification.

● Battery Disconnection

CTC-808 can detect the absence of battery in the following cases:

- Battery not connected
- Battery failure.

- 30 seconds after CTC-808 detects the battery disconnection, it will transmit a signal of battery disconnection to the Medical Alarm Panel for notification.
- 30 seconds after CTC-808 detects the battery connection, it will transmit a restore signal to the Medical Alarm Panel for notification.

● AC Failure Detection

- 30 seconds after CTC-808 detects the AC failure fault, it will transmit a signal of AC failure to the Medical Alarm Panel for notification.
- 10 seconds after the AC Power resumes, it will transmit an AC power resume signal to the Medical Alarm Panel for notification.

*This device complies with Part 15 of the FCC Rules. Operation is subject to the following two conditions:
(1) this device may not cause harmful interference, and
(2) this device must accept any interference received, including interference that may cause undesired operation.*

Federal Communication Commission Interference Statement

This equipment has been tested and found to comply with the limits for a Class B digital device, pursuant to Part 15 of the FCC Rules. These limits are designed to provide reasonable protection against harmful interference in a residential installation.

This equipment generates, uses and can radiate radio frequency energy and, if not installed and used in accordance with the instructions, may cause harmful interference to radio communications. However, there is no guarantee that interference will not occur in a particular installation. If this equipment does cause harmful interference to radio or television reception, which can be determined by turning the equipment off and on, the user is encouraged to try to correct the interference by one of the following measures:

- . Reorient or relocate the receiving antenna.
- . Increase the separation between the equipment and receiver.
- . Connect the equipment into an outlet on a circuit different from that to which the receiver is connected.
- . Consult the dealer or an experienced radio/TV technician for help.

FCC Caution: To assure continued compliance, any changes or modifications not expressly approved by the party responsible for compliance could void the user's authority to operate this equipment. (Example - use only shielded interface cables when connecting to computer or peripheral devices).