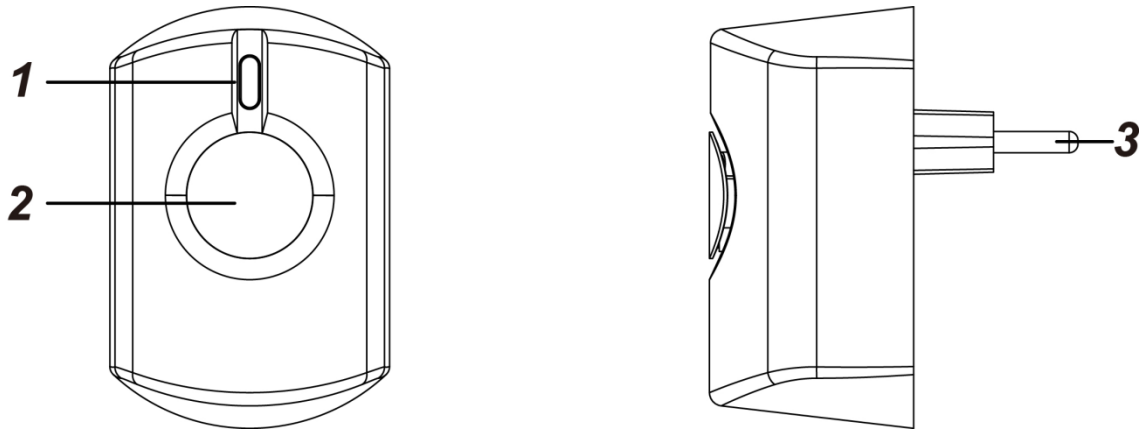


# Wireless AC Powered Indoor Siren

V:P6

## SRAC-23(F1) / SRAC-23B (F1)

The Indoor Siren is used to attract attention by sounding an alarm when alarm signal is received from Control Panel.



1. LED Indicator / Learn Button
2. Buzzer
3. AC Connector

### Power Supply

The Siren is powered by AC power; plug the Siren into a power socket to activate the Siren. The Siren will enter normal operation mode.

For **SRAC-23B**, there is a rechargeable battery inside the Siren that serves as a backup in case of a power failure. During normal operation, AC power is used to power the Siren and at the same time recharge the battery.

### Low Battery Detection (SRAC-23B only)

After AC power failure, the Siren will transmit a Low Battery signal to The Control Panel when low battery voltage is detected. To restore battery, re-plug AC power into the power socket. After 12 hours, the Siren will transmit a low battery restored notification to the Control Panel.

### AC Failure Detection

Whenever the Siren is removed from the power socket, the siren will transmit an AC Failure signal to the Control Panel to notify the situation. When the Siren is re-plugged into the power socket, it will transmit an AC restoration code.

### Supervision Function

The Siren transmits a supervisory signal to the Control Panel once every 30-50 minutes during normal operation. If this signal is not received with programmed duration, the Control Panel will indicate on its screen that the particular Siren is experiencing an out-of-order problem.

### Siren Function Overview

#### ■ Siren Audible Performance

The Siren will sound its buzzer to raise alarm for 3 minutes when activated.

- For Burglar / Panic Alarm, the Siren gives a continuous alarm sound.
- For Fire / Water alarm, the Siren gives an intermittent alarm sound of 2-sec siren followed by a 1 sec interval, cyclically during the programmed alarm duration.
- The siren is silenced when either the programmed siren duration expires or the Control panel turns off the siren.

## ■ Previous Alarm Warning

If an alarm was activated in your absence, the Siren will sound alarm for 3 seconds while the system is disarmed to remind you that an intruder could still be in your premises.

## ■ Audio Status Indication & Volume Adjustment

While operating the system, the Siren emits different beeping sounds to distinguish various statuses for the user, as listed in the table on the right:

You can adjust the volume of the indication beeping sound between **High**, **Medium** and **Low** by pressing and holding the Learn button for 3 seconds. The factory default volume is set to **Medium**.

	Siren Audio
Arm/Home Arm	1 beep*
Disarm	2 beeps*
Previous alarm warning	3 sec alarm
Entry/Exit Sound	Count-down beeps

### <NOTE>

- ☞ Items marked with asterisk (\*) will only emit the displayed audio indication if the Confirmation setting in the Panel is set to ON. When the setting is OFF, the confirmation sound will not be available.
- ☞ Indication beeping sound volume is set separately from alarm volume. To change alarm volume, see Programming Siren section below.

## Learning

- 1 Plug the Siren into the power socket, the Siren will emit 1 short beep, and the LED will flash to indicate it is now in normal operation mode.
- 2 Put the Control Panel into learning mode.
- 3 Press the button on the Siren once, the LED will light up and the Siren will transmit a learn code automatically.
- 4 If the Control Panel successfully receives the learn code, it will display the information accordingly. Please refer to Control Panel manual to complete the learning process.
- 5 If learning is successful, the Siren will emit a beep and turn off LED.  
If the Siren does not emit any beep, the LED will turn off automatically after 1 minute indicating learning has failed. Please remove siren from the Control Panel and repeat the learning process.

## Programming Siren

Access the “**Program Siren**” menu in your Control Panel. Please refer to Control Panel manual for detail. If the Siren successfully receives the command from the Control Panel, it will emit 1 beep to confirm

### ■ General Siren Function

#### Confirm

- **ON:** The Siren will sound beeps when the system is armed or disarmed.
- **OFF:** The Siren will remain silent when the system is armed or disarmed.

#### Entry Sound

- **ON:** The Siren will sound beeps when the Entry timer is activated.
- **OFF:** The Siren will remain silent when the Entry timer is activated..

### <NOTE>

- ☞ SRAC-23 does not have a tamper switch. Please ignore this function “Siren Tamper”.

### ● Individual Siren Function

Individual siren function will only affect the setting of selected siren/bell box:

#### Area

- Select the operation area of the siren you want to edit.

#### Zone

- Select the zone number of the siren you want to edit.

#### Alarm Volume

- Select siren alarm volume when alarm is triggered. Available options include: **Silence, Low, Medium, High.**

#### Door Chime

- **ON:** The Siren will sound door chime when notified by Control Panel.
- **OFF:** The Siren will not sound any door chime

#### Burglar Trigger in Home Arm

- **ON:** The Siren will be activated when alarm is triggered in Home Arm mode.
- **OFF:** The Siren will be deactivated when an alarm is triggered in Home Arm mode.

#### Burglar Trigger in Away Arm

- **ON:** The Siren will be activated when alarm is triggered in Away Arm mode.
- **OFF:** The Siren will be deactivated when an alarm is triggered in Away Arm mode.

#### LED Activation after Alarm

The Siren does not have any LED, this option may be ignored.

#### Confirmation Flash

The Siren does not have any LED, this option may be ignored.

#### Exit Delay Time Flash

The Siren does not have any LED, this option may be ignored.

#### Entry Delay Timer Flash

The Siren does not have any LED, this option may be ignored.

#### Exit Delay Sound Volume / Arming Confirm / Door Chime Sound Volume

- Sound Volume of Exit Delay beep, Arming/Home Arming Confirmation Sound and Door Chime sound. Available options include: **Silence, Low, Medium, High.**

<NOTE>

- ☞ The Arming/Home Arming confirmation sound volume cannot be silenced. If **Silence** is selected for this option, the sound volume will be set to **Low**.

#### Entry Delay Sound Volume / Disarming Confirm Sound Volume

- Sound Volume of Entry Delay Time and Disarming Confirmation Sound. Available options include: **Silence, Low, Medium, High.**

<NOTE>

- ☞ The Disarming confirmation sound volume cannot be silenced. If **Silence** is selected for this option, the sound volume will be set to **Low**.

After completing all individual siren function setting, click **Submit** on the webpage to confirm. The Control Panel will send the new configuration to siren. When the siren receives the configuration, it will emit one beep to confirm. If the siren does not emit the beep, please click **Submit** again to resend the configuration.

## Factory Reset

The siren can be reset and memory contents cleared by following steps:

- 1 Remove the Siren from the Control Panel. Refer to the operation manual of your Control Panel for details.
- 2 Remove the Siren from power socket. For model with built-in battery, open the casing and unplug battery.
- 3 Press and hold the learn button and plug the Siren into the power socket.
- 4 Keep holding the button for about 3 seconds until the Siren emit 2 short beeps, then a long beep. Release the button, factory reset is complete.

This device complies with Part 15 of the FCC Rules. Operation is subject to the following two conditions:

- (1) This device may not cause harmful interference, and
- (2) This device must accept any interference received, including interference that may cause undesired operation.