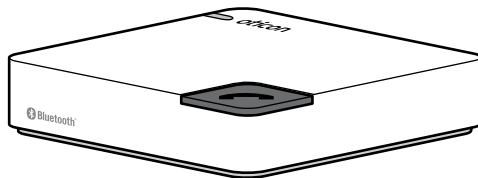




APPENDIX H
: USER'S MANUAL

INSTALLATION GUIDE **ConnectLine Phone adapter** **Getting started**

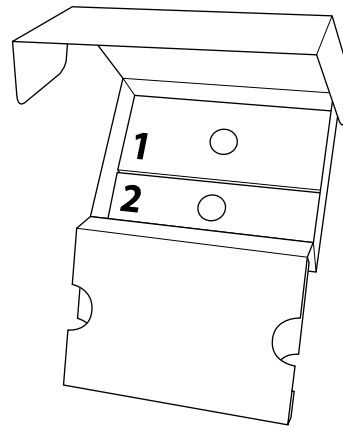


READ THIS FIRST

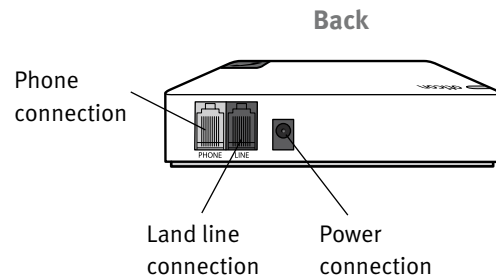
Before your hearing instruments can be used for conversations over your land line phone, the Phone adapter must be connected to the phone line and a power outlet.

This is an easy step-by-step guide through the installation of the Phone adapter.

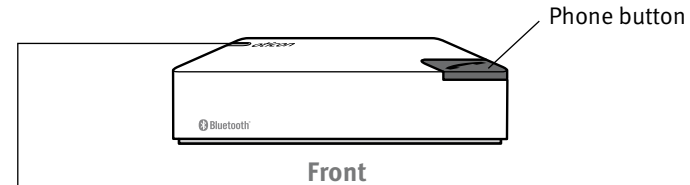
All needed parts for the installation are included in the package.
The connection parts are packed in two numbered boxes.



PHONE ADAPTER OVERVIEW



4



STATUS INDICATOR

Light	Meaning
Constant	Streamer connected
Slow fading	Searching for Streamer
Blinking	Pairing
No light	Off

5

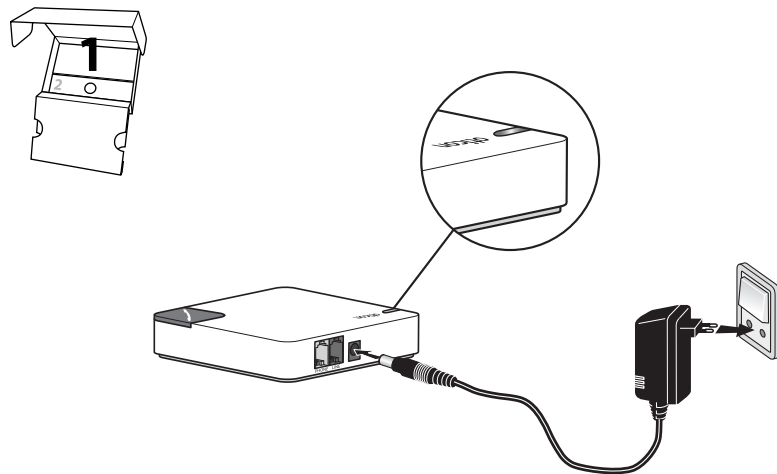
CONNECTING TO POWER

Begin the installation by connecting the Phone adapter to a power outlet.

Use the Power adapter from box no. 1.

- Plug the power adapter into the wall socket or another power source.
- Plug the power cord into the power connection.
- Check that power is turned on.

After a few seconds the status indicator gives a slow fading red light.



CONNECTING TO PHONE LINE

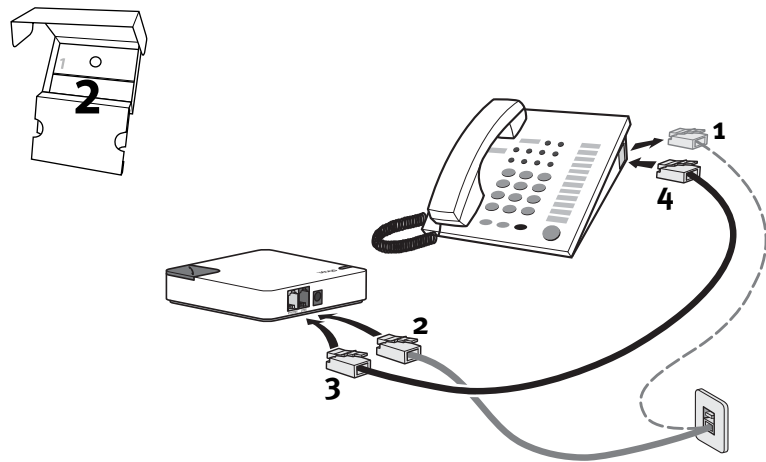
Connect the Phone adapter to the phone line and phone. Use the Tele cord from box no. **2**.
(The connector plugs are the same in both ends of the Tele cord)

First, the existing land line connection between the wall outlet and your phone
(or base station) must be disconnected at the phone end:

1. Unplug the phone line from the phone (or base station). *
2. Plug the phone line in the Phone adapter "LINE" connector (BLACK).
3. Plug the Tele cord in the Phone adapter "PHONE" connector (YELLOW).
4. Plug the other end of the Tele cord into the phone (or base station). *

The installation is now complete. Before usage, Streamer and the Phone adapter must
be paired (Go to next page; prepare Streamer).

** if your main phone or base station does not have a detachable plug for the land line
connection, you should either try using an alternative phone or a technician must be
contacted to complete the installation.*



The very first time your Streamer is used with the TeleAdapter, the two devices must be paired together.

PAIRING:

1. In order to prepare the Phone adapter and Streamer as a pair, both devices are placed close to each other and pairing mode is activated.
2. Press Streamer Connect button for 5 seconds until the blue light starts flashing rapidly.
3. Press the red Phone button on the Phone adapter for 5 seconds until the red status indicator blinks.
4. Within a minute the Phone adapter connects to the Streamer and pairing is complete.
 - the red status indicator of the Phone adapter gives constant red light.
 - the blue light in Streamer Connect button gives constant light for 5 seconds and then shows slow fading light.



Pairing is done only once and will normally not have to be repeated.

Place the Phone adapter unit in a suitable spot near your land line phone or base station.

For using the land line phone through the Phone adapter and Streamer, refer to the user guide.

Turn off the Phone adapter

If you don't want to receive phone calls to your Streamer, turn off the Phone adapter by disconnecting power.

For normal use, the Phone adapter uses very little power so it is not necessary to turn it off.

Phone adapter range

The Phone adapter has a range of about 10 meters depending on furnitures and placement. Within this range you can make hands free phone conversations with Streamer.

For further support or tips you can check the ConnectLine information on www.oticon.com/connectline

PRODUCT APPROVAL PRECAUTIONS AND MARKINGS

This device complies with Part 15 of the FCC Rules.

This equipment complies with Part 68 of the FCC rules and the requirements adopted by the ACTA.

CAUTION: Any changes or modifications in construction of this device which are not expressly approved by the party responsible for compliance could void the user's authority to operate the equipment.

Operation is subject to the following two conditions: (1) this device may not cause interference, and (2) this device must accept any interference, including interference that may cause undesired operation of the device.

Changes or modifications not expressly approved by the party responsible for compliance could void the user's authority to operate the equipment.

To comply with FCC RF exposure requirements, the device and the antenna for this device must be installed to ensure a minimum separation distance of 20 cm or more from a person's body. Other operating configurations should be avoided.

NOTE: *This equipment has been tested and found to comply with the limits for a Class B digital device, pursuant to Part 15 of the FCC Rules. These limits are designed to provide reasonable protection against harmful interference in a residential installation. This equipment generates, uses and can radiate radio frequency energy and, if not installed and used in accordance with the instructions, may cause harmful interference to radio communications. However, there is no guarantee that interference will not occur in a particular installation.*

If this equipment does cause harmful interference to radio or television reception, which can be determined by turning the equipment off and on, the user is encouraged to try to correct the interference by one or more of the following measures:

- Reorient or relocate the receiving antenna.
- Increase the separation between the equipment and receiver.
- Connect the equipment into an outlet on a circuit different from that to which the receiver is connected.
- Consult the dealer or an experienced technician for help.

IC statement:

Operation is subject to the following two conditions:

- 1) this device may not cause interference.*
- 2) this device must accept any interference, including interference that may cause undesired operation of the device.*

IC radiation exposure statement: This equipment complies with IC radiation exposure limits set forth for an uncontrolled environment. End users must follow the specific operating instructions for satisfying RF exposure compliance. This transmitter must not be co-located or operating in conjunction with any other antenna or transmitter.

Oticon hereby declares that this Phone adapter, is in compliance with the essential requirements and other relevant provisions of Directive 1999/5/EC.

Declaration of conformity is available at:

Oticon A/S
 Kongebakken 9
 DK-2765 Smørum
 Denmark
www.oticon.com



Waste from electronic equipment must be handled according to local regulations.

Use the following switch mode power supply with your Phone adapter: Sunlin Electronics,
 Input: 100-240V AC 150mA 50-60Hz, Out put 5.1V DC 700mA

Manufacturer : Clipcomm Inc.

Model No. : BS-H100

The Phone adapter is not a toy and therefore should be kept out of the reach of children and anyone else who might swallow parts or otherwise cause injury to themselves. Special attention should be paid to the smaller components in order to prevent children from swallowing them and choking.

If a part is swallowed, see a doctor immediately.

The safety of the use of the Phone adapter with an auxiliary input cable is determined by external signal source. When the input cable is connected to mains operated equipment, this equipment must comply with IEC-60065, IEC-60601 or equivalent safety standards.

The Phone adapter is designed to comply with the most stringent Standards of International Electromagnetic Compatibility. However, the Phone adapter might cause interference with other medical devices. Please contact relevant personnel to obtain a permission before using the Phone adapter in hospitals or similar venues.

