

# Flavor Shot Tower



**Servend.**



Catch the current trend in beverage dispensing—customized fountain flavors and products.

- Compact size works great in limited space areas; provides multiple placement opportunities, and simplifies integration with current fountain equipment.
- Durable, easy-to-clean stainless steel construction.
- Push lever or push button valve option.
- Non-tip base design for either permanent or portable installation.
- Tower is front and top serviceable.
- Electric towers have remote-mounted transformer and wiring harness to simplify installation.



ISO 9001:2000  
Quality System Certified

**Leader in Ice & Beverage Dispensers**

Countertop Ice/Bev • Drop-in • Countertop Electric  
Undercounter • Beverage Towers • Ice Chests

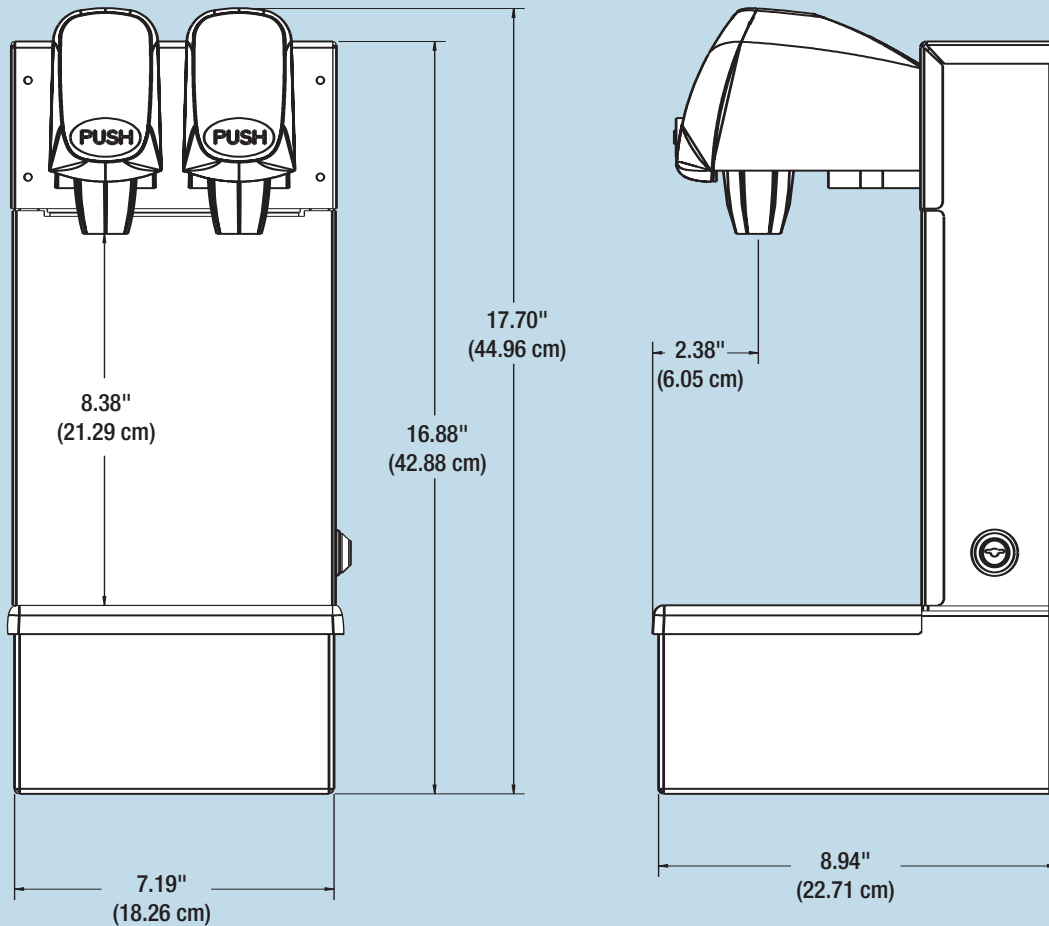
**Manitowoc**  
Foodservice Group

# Flavor Shot Tower

## Specifications

<b>Dimensions</b>	7.19" W x 8.94" D x 17.70" H 18.26 W x 22.71 D x 44.96 H (cm)
<b>Electrical Requirements</b>	24V AC / 2.4 Amps / Remote mount
<b>Drain</b>	0.75" (1.91 cm) barbed drain fitting extends from back of drain pan
<b>Approx. Shipping Weight</b>	Approximately 12 lbs. / 5.45 kg
<b>Cup Clearance</b>	8.38" (21.29 cm)
<b>Product Flavors</b>	2
<b>Material</b>	Stainless Steel
<b>Valve Options</b>	Valve type must be specified Push Lever Valve: Item #2703329 / Push Button Valve: Item #2703315

Model 2P FS



2509A ©2006 Servent. 2/06 Continuing product improvement may necessitate change of specifications without notice.



MANITOWOC BEVERAGE  
EQUIPMENT, INC.  
2100 Future Drive  
Sellersburg, IN 47172, USA  
Ph: 812-246-7000 • Fax: 812-246-7024  
Visit us online at [www.manitowocbeverage.com](http://www.manitowocbeverage.com)

