

# SCOTSMAN

MODULAR AIR, WATER, REMOTE COOLED NUGGET ICE MACHINE

## NME1254

VOLUME PRODUCTION • 24 HOUR



| Based on Air/Water Temperatures | Air-Cooled       |                  | Water-Cooled     |                  | Remote           |                  |
|---------------------------------|------------------|------------------|------------------|------------------|------------------|------------------|
|                                 | 70°/50° lbs./kg. | 90°/70° lbs./kg. | 70°/50° lbs./kg. | 90°/70° lbs./kg. | 70°/50° lbs./kg. | 90°/70° lbs./kg. |
| NME1254-32A                     | 1220/553         | 945/429          | 1345/610         | 1110/503         | 1110/503         | 1005/456         |

### SCOTSMAN'S NEW NUGGET ICE MACHINES with AutoSentry™

- AutoSentry™ Monitoring System constantly checks workload on gearbox shutting down system before a problem develops preventing costly repairs.
- Electrical conductivity water sensor eliminates low or no water failures and cannot be affected by adverse water conditions.
- Plastic drain pan with larger outlet provides greater ability to quickly channel water away preventing particulate build-up and rust.
- Rust and restriction free drain system features one-piece plastic drain tubes with larger ID for obstruction-free water flow.
- Durable, high grade stainless steel construction with massive, self-aligning spherical roller bearings; patented double-flight auger that evenly distributes the load; and heavy duty direct drive gearbox for high reliability and long life.

### WARRANTY See your dealer for complete warranty details.

- 3 years parts on all components.
- 3 years labor on all components.
- 5 years parts on compressor.

### BIN OPTIONS:



BIN: BH550



BIN: BH800



BIN: BH900

| SCOTSMAN MODULAR BINS |                     |                  |                      |        |                      |
|-----------------------|---------------------|------------------|----------------------|--------|----------------------|
| Model Number          | Dimensions W"xD"xH" | ARI Bin Capacity | Application Capacity | Finish | Ship Weight lbs./kg. |
| HTB250                | 30 x 31.5 x 22.5    | 190              | 250                  | HTB    | 80/36                |
| HTB350                | 30 x 31.5 x 29.5    | 250              | 350                  | HTB    | 90/41                |
| HTB555                | 30 x 34.5 x 44.5    | 420              | 535                  | HTB    | 110/50               |
| BH550S-C              | 30 x 31.5 x 44      | 410              | 520                  | SS     | 140/64               |
| BH800S-C*             | 42 x 31.5 x 44      | 580              | 740                  | SS     | 165/75               |
| BH900S-C*             | 48.2 x 33.75 x 44   | 740              | 940                  | SS     | 185/84               |
| BH1366S**             | 56 x 40 x 54        | 1030             | 1320                 | SS     | 380/172              |
| BH1666S**             | 60 x 40 x 60        | 1250             | 1600                 | SS     | 410/186              |

Please add 6" to Height for Legs

(HTB) Polyethylene Exterior and Interior—Grey color. \*See Price Schedule for Appropriate Bin Top (SS) Stainless Steel with Polyethylene liner. \*\*Accepts two machines side by side

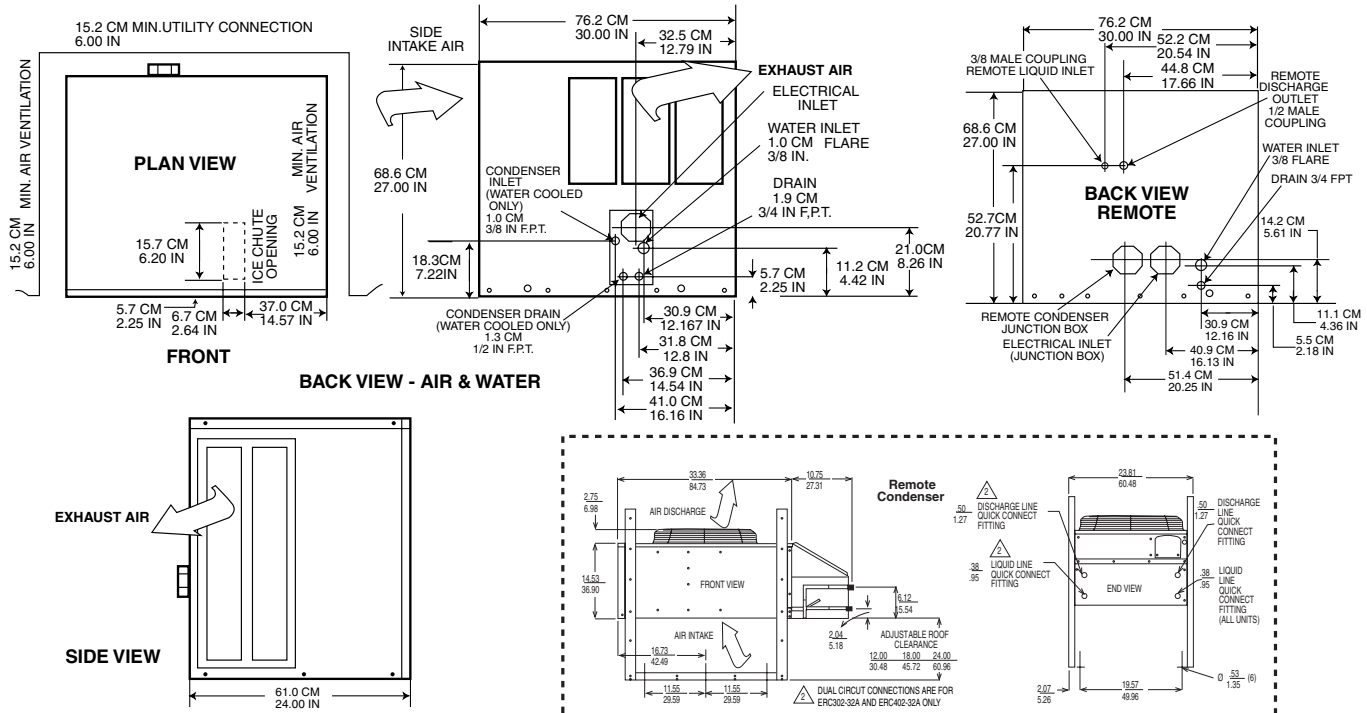
This product qualifies for the following listings:

UL UL NSF

Rated in accordance with ARI standard 810-95



# Ice Machine Specifications



INSTALLATION NOTE: Allow 6" minimum space at left side and back for ventilation and utility connections.

All models: Dimensions: W x D x H Unit: 30" x 24" x 27" Shipping Carton: 34" x 28" x 32"

| Model Number  | Condenser Unit | Basic Electrical Volts/Hz/Phase | Max. Fuse Size or HACR Circuit Breaker | Comp. HP | Circuit Wires | Min. Circuit Ampacity | Shipping Weight lbs./kg. | Power Consumption KWH/100 lbs. 90°/70°F | Water Usage Gallons/100 lbs. 90°/70°F |           |
|---------------|----------------|---------------------------------|--|----------|---------------|-----------------------|--------------------------|---|---------------------------------------|-----------|
|               |                |                                 |  |          |               |                       |                          |   | Potable                               | Condenser |
| NME1254AS-32A | AIR            | 208-230/60/1                    | 20                                     | 1 3/4    | 2             | 15.0                  | 270/122                  | 3.7                                     | 12                                    | -         |
| NME1254WS-32A | WATER          | 208-230/60/1                    | 20                                     | 1 3/4    | 2             | 14.3                  | 255/116                  | 3.2                                     | 12                                    | 92.5      |
| NME1254RS-32A | REMOTE         | 208-230/60/1                    | 25                                     | 1 3/4    | 2             | 17.3                  | 270/122                  | 3.6                                     | 12                                    | -         |

All units with Stainless Steel finish.  
 Refrigerant: R-404A.

**REMOTE CONDENSER**— Comes with adjustable legs  
 Dimensions: W x D x H: 24.00" x 44.25" x 29.25" for ERC 201  
 24.00" x 54.25" x 29.25" for ERC 402

| Model Number | For Use With | Cond. Unit | Finish Basic | Electrical Volts/Hz/Phase | No. of Wires | Min. Circuit Ampacity | Max Fuse Size or HACR Circuit Breaker |
|--------------|--------------|------------|--------------|---------------------------|--------------|-----------------------|---------------------------------------|
| ERC201-32A   | (1) NME1254  | Air        | Galvanized   | 208-230/60/1              | 2            | 2.6                   | 15                                    |
| ERC402-32A   | (2) NME1254  | Air        | Galvanized   | 208-230/60/1              | 2            | 2.6                   | 15                                    |

PRE-CHARGED REFRIGERANT TUBE KITS: 25-Foot, RTE25 • 40-Foot, RTE40 • 75-Foot, RTE75, Refrigerant: R-404A.  
 KCMR-230— Fan Relay Kit: Required to connect two NME1254R's to one ERC402-32A

Scotsman's ice machines are not designed for outdoor installations. Scotsman remote condensers are designed for outdoor installations.

Machine requires voltage indicated on rating name plate. Failures caused by improper voltage are not considered factory defects. Extended periods of operation at temperatures exceeding limitations constitutes misuse under the terms of Scotsman Manufacturer's Limited Warranty, resulting in a loss of warranty coverage. Specifications and design are subject to change without notice.

Consult Your Local SCOTSMAN Representative At:

## IMPORTANT OPERATING REQUIREMENTS:

|                    | Minimum         | Maximum        |
|--------------------|-----------------|----------------|
| Air Temperatures   | 50°F (10°C)     | 100°F (37.7°C) |
| Water Temperatures | 40°F (4.4°C)    | 100°F (37.7°C) |
| Remote Cond. Temps | -20°F (-28.9°C) | 120°F (48.9°C) |
| Water Pressures    | 20 PSIG         | 120 PSIG       |
| Electrical Voltage | -5%             | +10%           |

YOU'LL VALUE THE DIFFERENCE™

775 Corporate Woods Parkway • Vernon Hills, IL 60061 • 1-800-SCOTSMAN • Fax: (847) 913-9844  
 Visit our website at: www.scotsman-ice.com • E-mail: customer.service@scotsman-ice.com

