

SCOTSMAN

MODULAR REMOTE LOW SIDE FLAKE AND NUGGET ICE MACHINES

RL SERIES

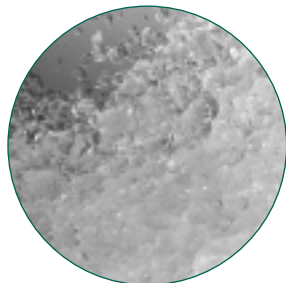
SCOTSMAN'S NEW FLAKED & NUGGET ICE MACHINES with *AutoSentry™*



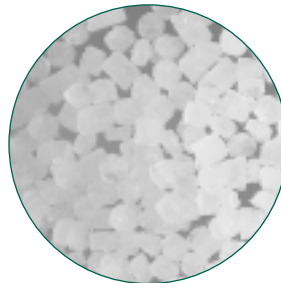
- *AutoSentry™* Monitoring System constantly checks workload on gearbox shutting down system before a problem develops preventing costly repairs.
- Electrical conductivity water sensor eliminates low or no water failures and cannot be affected by adverse water conditions.
- Plastic drain pan with larger outlet provides greater ability to quickly channel water away preventing particulate build-up and rust.
- Rust and restriction free drain system features one-piece plastic drain tubes with larger ID for obstruction-free water flow.
- Durable, high grade stainless steel construction with massive, self-aligning spherical roller bearings; patented double-flight auger that evenly distributes the load; and heavy duty direct drive gearbox for high reliability and long life.

WARRANTY See your dealer for complete warranty details.

- New longest warranty in the industry.
- 3 years parts on all components.
- 3 years labor on all components.
- 5 years parts on compressor.



FLAKED ICE
Inexpensive to produce,
used in produce and fish
displays.



NUGGET ICE
Versatile, inexpensive to
produce, used in carbonated
beverages and salad bars.

This product qualifies for the following listings:

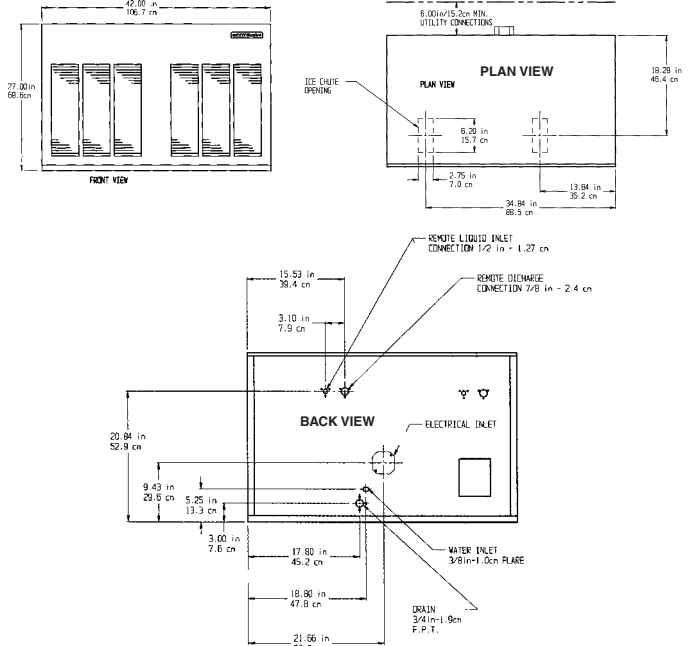
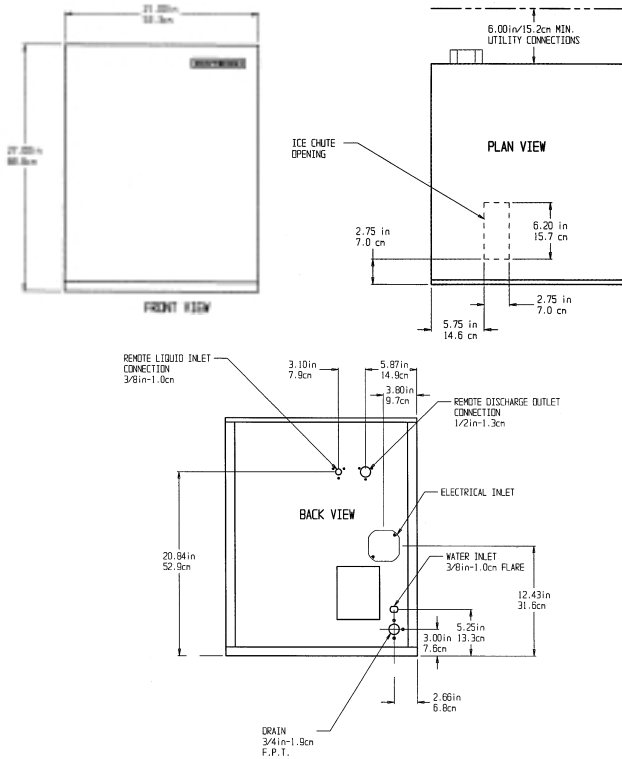


 **Scotsman®**

NME954/FME1204RL
 NM952/FM1202RL
 NME1254/FME1504RL

Ice Machine Specifications

NME1854/FME2404RL
 NME2504RL/FME3004RL
 NM1852/FM2402RL



All models: Dimensions: W x D x H Unit: 21" x 24" x 27" Shipping Carton: 28" x 25" x 32"

Model Number	Ice Form	Ice Prod-24hrs. 70°F Air 90°F 50°F Water 70°F lbs./kg. lbs./kg.	Basic Electrical Volts/Hz/Phase	Max. Fuse Size or HACR Circuit	No. of Wires	Min. Circuit Ampacity	Ship Wt. lbs./kg.	Water Usage-Gallons/ 100 lbs. of Ice 90°F/70°F	Refrigerant	Refrigerant Requirement Btu/Hr*
NME954RLS	Nugget	1090/494 915/415	208-230/60/1	15	2	2.0	145/65	12	R-404A	7,500
FME1204RLS-32A	Flake	1180/535 1000/453	208-230/60/1	15	2	2.0	145/65	12	R-404A	7,500
NME1254RLS	Nugget	1330/603 1100/499	208-230/60/1	15	2	2.0	145/65	12	R-404A	10,000
FME1504RLS-32A	Flake	1445/655 1205/467	208-230/60/1	15	2	2.0	145/65	12	R-404A	10,000
NM952RLS-32A	Nugget	1090/494 915/415	208-230/60/1	15	2	2.0	145/65	12	R-22	7,700
FM1202RLS-32A	Flake	1180/535 1000/453	208-230/60/1	15	2	2.0	145/65	12	R-22	7,700

All models: Dimensions: W x D x H Unit: 42" x 24" x 27" Shipping Carton: 46" x 28" x 32"

Model Number	Ice Form	Ice Prod-24hrs. 70°F Air 90°F 50°F Water 70°F lbs./kg. lbs./kg.	Basic Electrical Volts/Hz/Phase	Max. Fuse Size or HACR Circuit	No. of Wires	Min. Circuit Ampacity	Ship Wt. lbs./kg.	Water Usage-Gallons/ 100 lbs. of Ice 90°F/70°F	Refrigerant	Refrigerant Requirement Btu/Hr*
NME1854RLS-32A	Nugget	2180/988 1830/830	208-230/60/1	15	2	2.7	255/115	12	R-404A	15,000
FME2404RLS-32A	Flake	2365/1072 2000/907	208-230/60/1	15	2	2.7	255/115	12	R-404A	15,000
NME2504RLS-32A	Nugget	2660/1197 2200/990	208-230/60/1	15	2	2.7	255/115	12	R-404A	20,000
FME3004RLS-32A	Flake	2890/1301 2410/1085	208-230/60/1	15	2	2.7	255/115	12	R-404A	20,000
NM1852RLS-32A	Nugget	2180/988 1830/830	208-230/60/1	15	2	2.7	255/115	12	R-22	15,000
FM2402RLS-32A	Flake	2365/1072 2000/907	208-230/60/1	15	2	2.7	255/115	12	R-22	15,000

All units with Stainless Steel finish.

* At 0° Evaporator, 100°F Condensing, and 33 PSIG for R-404A units or 24 PSIG for R-22 units

Scotsman's ice machines are not designed for outdoor installations. Scotsman remote condensers are designed for outdoor installations.

Machine requires voltage indicated on rating name plate. Failures caused by improper voltage are not considered factory defects. Extended periods of operation at temperatures exceeding limitations constitutes misuse under the terms of Scotsman Manufacturer's Limited Warranty, resulting in a loss of warranty coverage. Specifications and design are subject to change without notice.

Consult Your Local SCOTSMAN Representative At:

IMPORTANT OPERATING REQUIREMENTS:

	Minimum	Maximum
Air Temperatures	50°F (10°C)	100°F (37.7°C)
Water Temperatures	40°F (4.4°C)	100°F (37.7°C)
Remote Cond. Temps	-20°F (-28.9°C)	120°F (48.9°C)
Water Pressures	20 PSIG	120 PSIG
Electrical Voltage	-5%	+10%

YOU'LL VALUE THE DIFFERENCE.™

775 Corporate Woods Parkway • Vernon Hills, IL 60061 • 1-800-SCOTSMAN • Fax: (847) 913-9844
 Visit our website at: www.scotsman-ice.com • E-mail: customer.service@scotsman-ice.com

