

A760 Two-Color Thermal/Impact Hybrid Printer



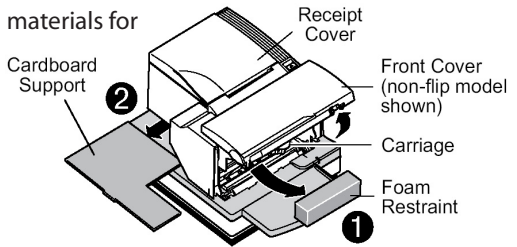
Setup Guide

Setting up the printer

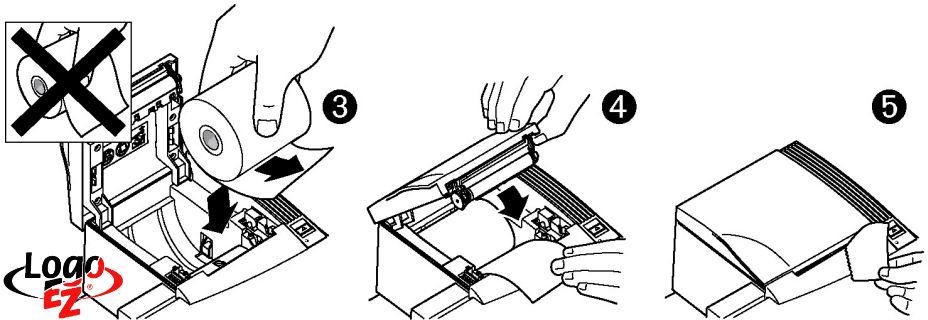
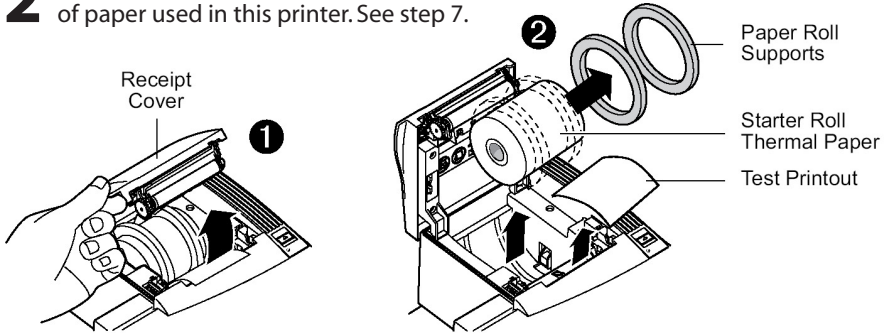
The following instructions will provide a quick reference for setting up the A760 printer. You will need to refer to the User's and Programming Guide for specific details for the setup procedures, troubleshooting tips, configuration adjustments, and command designations.

Pages referenced are from the User's Guide, unless noted. If you have any questions, please call us at **800-732-8950** or **607-274-2500** or visit **www.CognitiveTPG.com**. Please visit the website to register your printer and provide feedback on its quality.

- 1 Unpack the printer, saving all packing materials for future shipping or storage (page 15).



- 2 Load the starter roll of paper (page 17). You can change the type of paper used in this printer. See step 7.

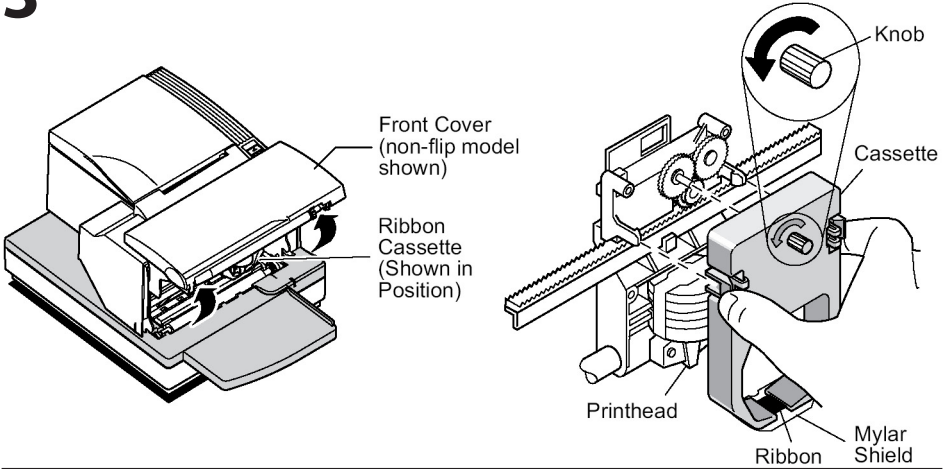


Made under one or more of the following U.S. patents: 4886381, 5579043, 5613787, 5651624, 5713678, 5752779, 5789916, 5800080, 5879090, 5887999, 5975776, 6027266, 6085973, 6089450, 6129465, 6155483, 6404452, 6486902, 6504331, 5749277, 6722754, 6739773, 6784909.
Other U.S. and international patents pending.



COGNITIVE TPG

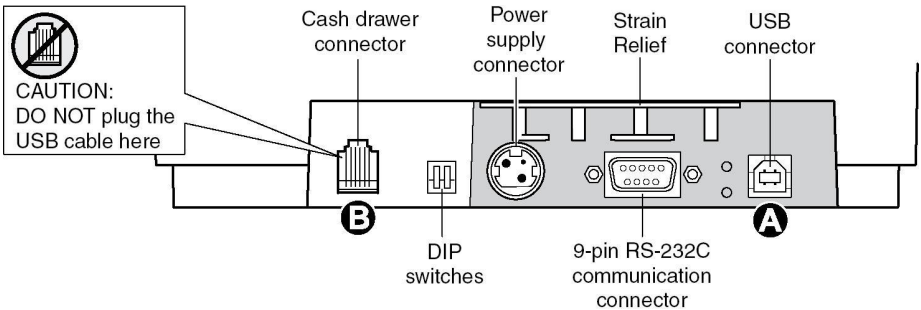
3 Install the ribbon cassette (page 18).



4 Choose a location for the printer (page 19).

5 Connect the following cables based on your configuration using a-d below.

When using USB (step "b" below), use caution to ensure the USB cable is connected to the USB connector (A) on the back right of the printer and not into the cash drawer connector (B) that is on the left back of the printer.

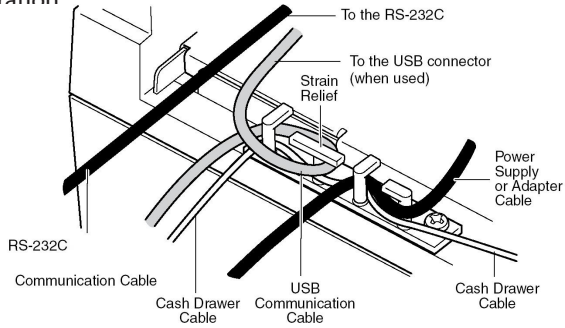


a Cash drawer (if your installation includes this feature, page 20).

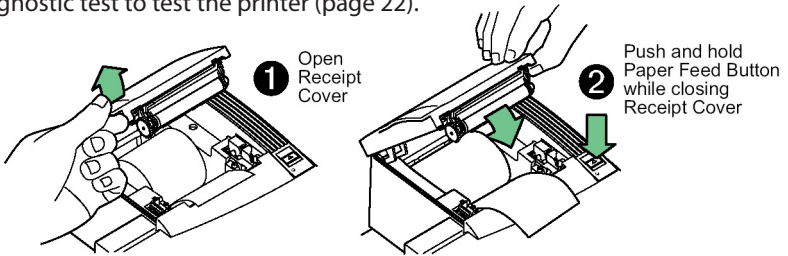
b 9-pin or 25-pin Serial, parallel, USB or Ethernet cable (page 21).
Note: The Ethernet connection requires specific setup commands. See "Ethernet communication cable installation" and "Ethernet setup commands" sections in the A760 User Guide.

c Connect the power cable (page 21).

d Route cables as shown for your setup configuration (page 22).



6 Run a diagnostic test to test the printer (page 22).



7 Configure the printer if necessary (page 28 and Programming Communication Interface Chapter for commands descriptions and usage).

Note: For Ethernet connection, specific setup commands must be entered. See A760 Programming supplement to configure the printer for Ethernet.

The paper type can be changed in the configuration menu.

Paper types and grades available:

- Type 0 - Monochrome grades
Kanzaki P-310
- Type 1 - Two-color grades
Kanzaki P-310 RB (red/black)
- Type 4 - Two-color grades
Kanzaki P-320 BB (blue/black)
- Type 5 - Two-color grades
Kanzaki P-320 RB (red/black)

See User and Programming guides for more information.

When the printer is configured for USB and the native USB solution driver is used, this location will show either: "USB Driver Type: TPG, Inc." or "USB Driver Type: Printer Class". If the RS-232C, USB emulation solution driver is used, nothing is printed here. See User Guide, Appendix A.

*** A760 – Diagnostics Form ***

Model number	: A760-1125
Serial number	: A012451679
Boot Firmware	
Revision	: V1_03
CRC	: FFDE
P/N	: 189-7600118A
Flash Firmware	
Revision	: V1_05
CRC	: 7196
P/N	: 189-7600117A
H/W parameters	
Flash Memory Size	: 1 Mbyte
Flash Logos/Fonts	: 320 kbytes
Flash User Storage	: 0 kbytes
SRAM Size	: 256 kbytes
Head setting	: D
Paper Type Name	: Type 1, Version 0
Color Density Adj.	: 100%
Print Density (Mono)	: 100%
Max Speed	: 100 mm/sec
Max Power	: 55 W
Alternate Reset	: Disabled
Knife	: Enabled
Paper Low Sensor	: Enabled
MICR	: Enabled
MICR Dual Pass	: Disabled
MICR DC offset	: 80
Check Flip	: Enabled
Comm. Interface	
RX Buffer Size	: 4096
Interface type	: RS232/USB
Parameters	
Baud Rate	: 115200
Data Bits	: 8
Stop Bit	: 1
Parity	: NONE
Flow Control	: DTR/DSR
Reception Errors	: Ignore
Alternate-DTR-DSR	: Disabled
Resident Code Pages	: 437-850; 852-858 860, 863, 865, 866 1252, 862, 737
Available Paper Types	: 00.00 01.00 05.00
Logos(s) defined	: YES
User Chart(s) defined	: NO
To enter Printer Config Menu :	
1) Flip DIP switch #1 up	
2) Reset the printer, while holding the Paper Feed button down	

*** A760 – Printer Config Menu ***

This config menu allows you to set general printer parameters

Sub-menus are entered and selections are made using the Paper Feed Button

- short click : Feed Button is quickly depressed then released
- long click : Feed Button is held down more than 1 second then released

CAUTION !!
The settings are predetermined in factory and should generally not be changed. If you must change the settings do so carefully to avoid changing other functions.

***** MAIN MENU *****

Select a sub-menu :

- EXIT -> 1 click
- Print Current Configuration -> 2 clicks
- Set Communication Interface -> 3 clicks
- Set Diagnostics Modes -> 4 clicks
- Set Emulation/Software Options -> 5 clicks
- Set Hardware Options -> 6 clicks
- Set Paper Type -> 7 clicks

Enter code, then hold Button DOWN at least 1 second to validate

Important: Ensure that the configuration settings match your host computer, if not, enter the configuration menu to make changes.

Current printer tallies are printed after the diagnostic information and will vary per printer use.

Print Test and Configuration Menu Sample. Samples will vary depending on the printer model. The A760 is LogoEZ® compatible for ease of setting-up your logo and two-color design needs.

Federal Communications Commission (FCC) Radio Frequency Interference Statement Warning

Changes or modifications to this unit not expressly approved by the party responsible for compliance could void the user's authority to operate the equipment.

Note

This equipment has been tested and found to comply with the limits for a Class A digital device, pursuant to Part 15 of the FCC Rules. These limits are designed to provide reasonable protection against harmful interference when the equipment is operated in a commercial environment. This equipment generates, uses, and can radiate radio frequency energy and, if not installed and used in accordance with the instruction manual, may cause harmful interference to radio communications. Operation of this equipment in a residential area is likely to cause harmful interference in which case the user will be required to correct the interference at his own expense.

Information to the User

This equipment must be installed and used in strict accordance with the manufacturer's instructions. However, there is no guarantee that interference to radio communications will not occur in a particular commercial installation. If this equipment does cause interference, which can be determined by turning the equipment off and on, the user is encouraged to contact CognitiveTPG immediately.

CognitiveTPG is not responsible for any radio or television interference caused by unauthorized modification of this equipment or the substitution or attachment of connecting cables and equipment other than those specified by TPG, Inc. The correction of interferences caused by such unauthorized modification, substitution or attachment will be the responsibility of the user.

In order to ensure compliance with the Product Safety, FCC and CE marking requirements, you must use the power supply, power cord, and interface cable which are sold for use with this product or which meet the following parameters:

Power Supply

UL Listed (QJGGQ), Class 2 power supply with SELV (Secondary Extra Low Voltage), non-energy hazard output, limited energy source, input rated 100-240 Vac, 1.5/0.8 A, 50/60 Hz, output rated 24 Vdc, 2.3 A for 55 watt unit; 100-240 Vac, 2.0A, 50/60 Hz, output rate 24 Vdc, 3.125 A for 75 watt unit.

Use of this product with a power supply other than the CognitiveTPG power supply will require you to test the power supply and CognitiveTPG printer for FCC and CE mark certification.

Communication Interface Cable

A shielded (360 degree) interface cable must be used with this product. The shield must be connected to the frame or earth ground connection or earth ground reference at EACH end of the cable.

Use of a cable other than described here will require that you test the cable with the CognitiveTPG printer and your system for FCC and CE mark certification.

Power Cord

A UL listed, detachable power cord must be used. For applications where the power supply module may be mounted on the floor, a power cord with Type SJT marking must be used. For applications outside the US, power cords which meet the particular country's certification and application requirements should be used.

Use of a power cord other than described here may result in a violation of safety certifications which are in force in the country of use.

Industry Canada (IC) Radio Frequency Interference Statement

This Class A digital apparatus meets all requirements of the Canadian Interference-Causing Equipment Regulations.

Cet appareil numérique de la classe A respecte toutes les exigences du Règlement sur le matériel brouilleur du Canada.

Voluntary Control Council for Interference (VCCI) Radio Frequency Interference Statement

This is a Class A product based on the standard of the voluntary Control Council for Interference by Information Technology Equipment (VCCI). If this equipment is used in a domestic environment, radio disturbance may arise. When such trouble occurs, the user may be required to take corrective actions.

Disclaimer

Information in this document is subject to change without notice. Consult your CognitiveTPG sales representative for information that is applicable and current. CognitiveTPG reserves the right to improve products as new technology, components, software, and firmware become available.

No part of this document may be reproduced, transmitted, or translated in any form or by any means, electronic or mechanical, for any purpose without the express written permission of CognitiveTPG.

Copyright

Copyright © 2009 by TPG IPB, Inc., a subsidiary of ATSI Holdings, Inc. 950 Danby Road, Ithaca, New York 14850, USA. All rights reserved. Printed in USA. Confidential, Unpublished. Property of TPG IPB, Inc.

Trademarks

CognitiveTPG™ is a trademark of TPG IPB, Inc. Microsoft, Windows NT are registered Trademarks of Microsoft Corporation in the U.S.A. and/or other countries. Inside Out Networks, Inside Out, EPIC, and Edgeport are trademarks of Inside Out Networks. All other trademarks and registered trademarks are the property of their respective holders.

Website: <http://www.CognitiveTPG.com>

DECLARATION OF CONFORMITY

Type of Equipment: Information Technology Equipment – Printer

Model: A760-XXXX

Model: A760-XXXX-XXXX (X = any alphanumeric character)

Applicable EU Directives:

2004/108/EC (electromagnetic compatibility directive)

2006/95/EC (low voltage directive for product safety)

Harmonized Standards:

EN 55024 (1998/A1:2001/A2:2003) Information Technology Equipment Immunity Characteristics

EN 55022 (1998/A1:2000/A2:2003) EMC, Class A, Limits and Methods of Measurement of Interference Characteristics of IT Equipment

IEC 60950-1 (2005) Second Edition - Product Safety Standard.

"TPG IPB, Inc., 950 Danby Road, Ithaca, New York, 14850, declares that the equipment specified above conforms to the referenced EU Directives and Harmonized Standards."

Randy Bullock

Date: November 16, 2009

Randy Bullock, Regulatory Compliance Engineer, CognitiveTPG and TPG IPB

Ref #: 189-7600198 Rev B