



SUNDOME™ 10'x8'

Instructions apply to Part Number 9260D108

When You Are Ready To Set Up Your Tent

- Select a level campsite clear of rocks, branches and other hard or sharp objects.
- Do not set up your tent under trees.
- For best results in windy conditions, position the end of tent into the wind.
- See owners manual for more tips.

Main Tent Poles

Rainfly Pole

POLE ASSEMBLY PARTS

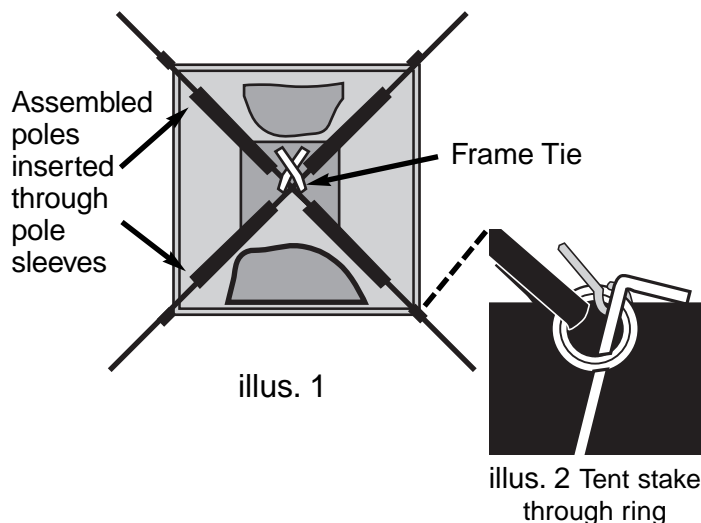
Part No. 9260C302

Part No. 9260B303

Rainfly Part No. 9260C304

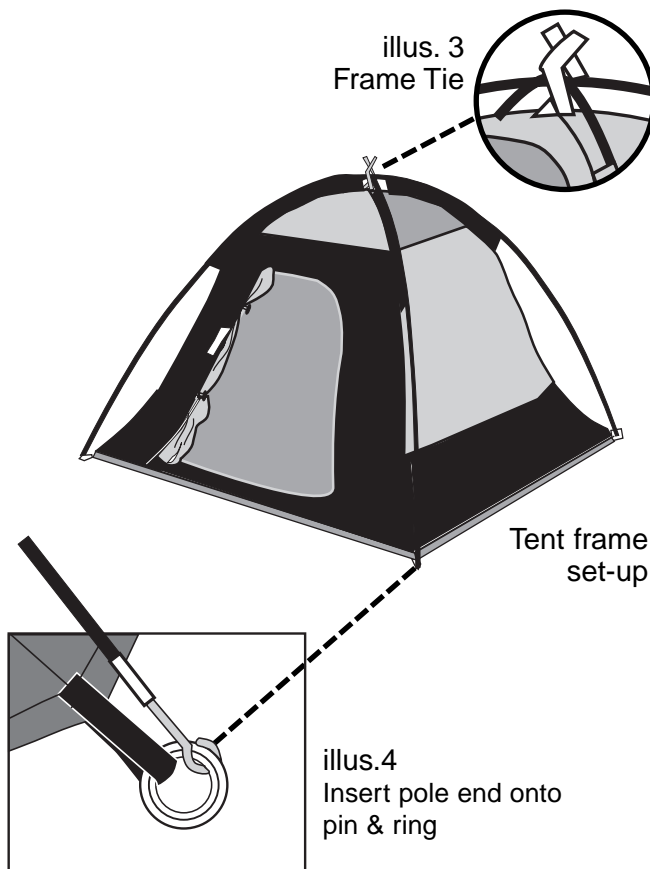
1 Layout & Positioning of Tent, Pole Assembly

- Layout and position tent with door facing desired direction. (illus. 1)
- Unzip door
- Stake down tent corners only, using the rings at the end of the stake loops. Keep the floor taut.
- Assemble Frame Poles by interlocking shock-corded poles. This will make two long poles.
- Insert the poles diagonally into Pole Sleeves. The center of the poles should cross forming an "X" in the middle of tent. (illus. 1)
- Fasten Frame Tie on top of tent over both poles. (illus. 1), (illus. 3)



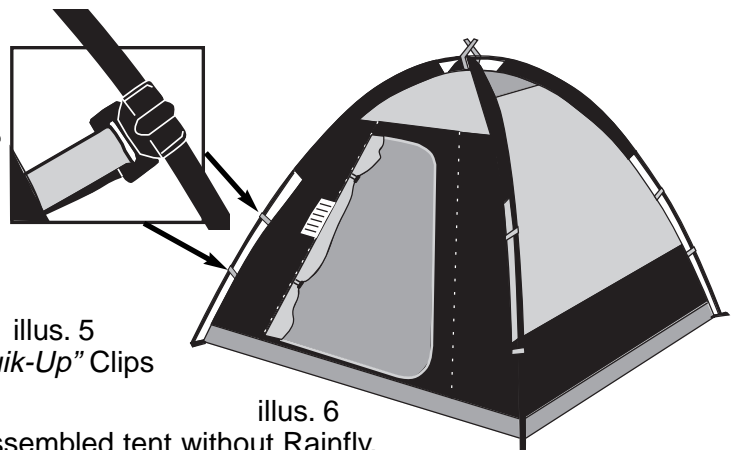
2 Connect Frame to Tent

- Insert one end of main tent pole end onto pin of ring and pin system, at tent corner. (illus. 4)
- Go to opposite end of pole and gradually apply pressure to the pole forming an arch until you are able to insert the pin into the pole
- Repeat for second pole



3 Attach Tent to Frame Using “Quik-Up” Clips

- Attach “Quik-Up” Clips along the edges of tent to frame poles (illus. 5), (illus. 6)
- Make any adjustments to the tent corner stakes that are needed.

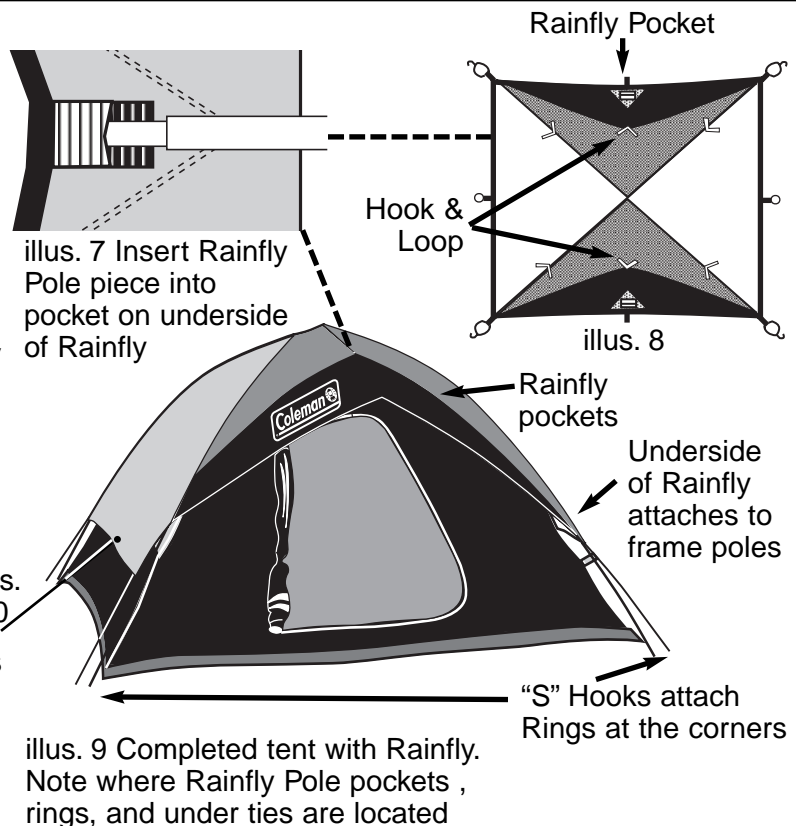


illus. 5
“Quik-Up” Clips

illus. 6
Assembled tent without Rainfly.
Note the “Quik-Up” Clips located on edge of tent.

4 Attach Rainfly

- Assemble Rainfly Pole by interlocking shock-corded pole
- Insert Rainfly Pole into reinforced pockets located at the center edges of the underside of Rainfly (illus. 7), (illus. 8)
- Tie underside of Rainfly to the Rainfly Pole with Frame Ties (illus. 8)
- Drape Rainfly over tent frame, pole side down. Rainfly Pole should point out over door and rear window.
- Connect the four elastic loops with “S” hooks, (found at the Rainfly corners) to the four rings located at the end of the Stake Loops at the corners of the tent.
- Secure Rainfly with Frame Ties located on underside of fly (illus. 9)
- Stake out tent with two side guylines (illus. 10)



illus. 7 Insert Rainfly Pole piece into pocket on underside of Rainfly

Rainfly Pocket
Hook & Loop
illus. 8

illus. 10

illus. 9 Completed tent with Rainfly.
Note where Rainfly Pole pockets, rings, and under ties are located

Things You Should Know

- Under certain conditions (cold weather, high humidity, etc.) condensation will form on the inside surfaces of your tent. Condensation is caused by water vapor from your breath, perspiration, or any wet clothing inside your tent. It is NOT LEAKAGE through the tent fabric. It can be minimized by removing wet clothing from your tent and by providing good ventilation through the tent.
- Never store tent, even for a short period of time, without drying it thoroughly and brushing off caked dirt. Do not pack stakes or poles inside your tent. Use separate storage bag.
- STAKES SHOULD BE REMOVED BY PULLING ON THE STAKE ITSELF. NEVER PULL ON THE TENT FABRIC OR TENT STAKE LOOP TO REMOVE STAKE.
- TENT POLES SHOULD NOT BE LEFT TELESCOPED TOGETHER DURING STORAGE.
- Seam sealer has not been provided with your tent. It is necessary and we recommend seam sealing your tent prior to camping. Seam sealer may be purchased through your local retailer or at your local sporting goods store.

- Do not leave your tent set-up for weeks at a time, be aware that exposure to the ultraviolet rays of the sun can seriously damage nylon material and/or cause it to become discolored.
- See owners manual for more tips.

WARNING: KEEP ALL FLAME AND HEAT SOURCES AWAY FROM THIS TENT FABRIC. This tent meets the flammability requirements of CPAI-84. The fabric will burn if left in continuous contact with any flame source. The application of any foreign substance to the tent fabric may render the flame-resistant properties ineffective.



THE COLEMAN CO., INC.
3600 N. Hydraulic • Wichita, Kansas 67219
1-800-835-3278 • www.coleman.com