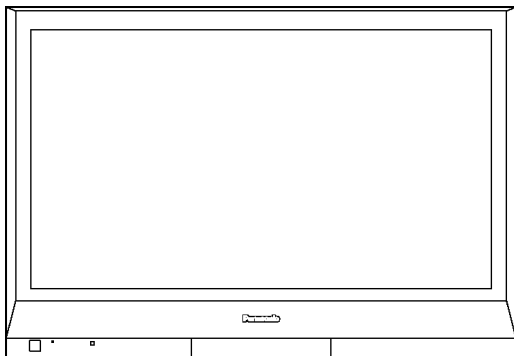


Service Manual

High Definition Hospitality Plasma Display



TH-37PR10U

TH-42PR10U

GPH10D Chassis

Specifications

Power Source	120 V AC, 50/60Hz	
Power Consumption		
Power on	340 W (37 inch)	380 W (42 inch)
Stand-by condition	Save OFF 0.7 W, Save ON 0.5 W (37 inch)	Save OFF 0.7 W, Save ON 0.5 W (42 inch)
Power off condition	0.2 W (37 inch)	0.2 W (42 inch)
Plasma Display panel	Drive method: AC type 37-inch, 16:9 aspect ratio (37 inch)	Drive method: AC type 42-inch, 16:9 aspect ratio (42 inch)
Screen size	32.2" (819 mm) (W) × 18.0" (457 mm) (H) × 37" (938 mm) (diagonal) (37 inch)	
	36.3" (922 mm) (W) × 20.4" (518 mm) (H) × 42" (1,057 mm) (diagonal) (42 inch)	
(No. of pixels)	737,280 (1,024 (W) × 720(H)) (37 inch) [3,072 × 720 dots] (37 inch)	786,432 (1,024 (W) × 768(H)) (42 inch) [3,072 × 768 dots] (42 inch)
Operating condition		
Temperature	32 °F - 104 °F (0 °C - 40 °C)	
Humidity	20% - 80%	
Applicable signals		
Scanning format	525 (480) / 60i • 60p, 625 (575) / 50i • 50p, 750 (720) / 60p • 50p, 1125 (1080) / 60i • 50i • 24p • 25p • 30p • 24sF.... SMPTE274M, 1250 (1080) / 50i	
PC signals	VGA, SVGA XGA, SXGA, UXGA..... (compressed) (37 inch) Horizontal scanning frequency 15 - 110 kHz (37 inch) Vertical scanning frequency 48 - 120 Hz (37 inch)	VGA, SVGA, XGA SXGA, UXGA..... (compressed) (42 inch) Horizontal scanning frequency 15 - 110 kHz (42 inch) Vertical scanning frequency 48 - 120 Hz (42 inch)
Connection terminals		
PC IN	(HIGH-DENSITY MINI-D-SUB 15PIN)	Y or G with / sync 1.0 Vp-p (75-ohm) Y or G without / sync 0.7 Vp-p (75-ohm) B / P _B / CB:0.7 Vp-p (75-ohm) R / P _R / CR:0.7 Vp-p (75-ohm) HD / VD :1.0 - 5.0 Vp-p (high impedance) 0.5 Vrms (high impedance)
	AUDIO IN (M3 JACK)	

Accessories Supplied

Fixing bands TMME203 × 2

Dimensions (W × H × D)

36.1" (917 mm) × 25.4" (644 mm) × 3.7" (95 mm) 40.2" (1,020 mm) × 27.8" (705 mm) × 3.7" (95 mm)
 (4.3"(109mm)when including protruding portion of slots)(37 inch) (4.3"(109mm)when including protruding portion of slots)(42 inch)

Mass (weight)

approx. 55.1 lbs (37 inch) approx. 61.7 lbs (42 inch)

Sound

Speaker 4.8" (120mm) × 2.4" (60mm) × 2 pcs , 8-ohm

Audio Output 20W [10W+10W] (10%THD)

Notes:

- Design and specifications are subject to change without notice. Mass and dimensions shown are approximate.

⚠ WARNING

This service information is designed for experienced repair technicians only and is not designed for use by the general public. It does not contain warnings or cautions to advise non-technical individuals of potential dangers in attempting to service a product. Products powered by electricity should be serviced or repaired only by experienced professional technicians. Any attempt to service or repair the product or products dealt with in this service information by anyone else could result in serious injury or death.

CONTENTS

	Page		Page
1 Applicable signals	4	7.7. Removal of P-Board	20
2 Safety Precautions	5	7.8. Removal of D-Board	20
2.1. General Guidelines	5	7.9. Removal of SU-Board and SD-Board	20
3 Prevention of Electrostatic Discharge (ESD) to Electrostatically Sensitive (ES) Devices	6	7.10. Removal of SC-Board	21
4 About lead free solder (PbF)	7	7.11. Removal of SS-Board	21
5 Service Hint	8	7.12. Removal of C1, C2-Board	21
6 Disassembly TH-37PR10U	9	7.13. Removal of S-Board	22
6.1. Removal of Rear Cover	9	7.14. Removal of GK-Board	23
6.2. Removal of Slot Block	9	7.15. Removal of K-Board	23
6.3. Removal of DS-Board	9	7.16. Removal of Escutcheon and the Front Glass	23
6.4. Removal of HX-Board	10	7.17. Removal of Plasma Panel	25
6.5. Removal of Speaker(L, R)	10	8 Location of Lead Wiring	27
6.6. Removal of DN-Board	10	8.1. Wiring for the 37 inch model	27
6.7. Removal of P-Board	11	8.2. Wiring for the 42 inch model	30
6.8. Removal of D-Board	11	9 Adjustment Procedure	33
6.9. Removal of SU-Board and SD-Board	11	9.1. Driver Set-up	33
6.10. Removal of SC-Board	12	9.2. Initialization Pulse Adjust	34
6.11. Removal of SS-Board	12	9.3. P.C.B. (Printed Circuit Board) exchange	34
6.12. Removal of C1, C2-Board	12	9.4. Adjustment Volume Location	35
6.13. Removal of S-Board	13	9.5. Test Point Location	36
6.14. Removal of GK-Board	14	10 Service mode	37
6.15. Removal of K-Board	14	10.1. CAT (computer Aided Test) mode	37
6.16. Removal of Escutcheon and the Front Glass	14	10.2. IIC mode structure (following items value is sample data.)	40
6.17. Removal of Plasma Panel	16	11 Adjustment	41
7 Disassembly TH-42PR10U	18	11.1. RGB white balance adjustment	41
7.1. Removal of Rear Cover	18	11.2. HD white balance adjustment	43
7.2. Removal of Slot Block	18	11.3. Power control adjustment	45
7.3. Removal of DS-Board	18	12 Trouble shooting guide	46
7.4. Removal of HX-Board	19	12.1. Self Check	46
7.5. Removal of Speaker(L, R)	19	12.2. No Power	47
7.6. Removal of DN-Board	19	12.3. No Picture	47

12.4. Local screen failure	48	15.24. DN-Board (3 of 6) Schematic Diagram	102
13 Option Setting	49	15.25. DN-Board (4 of 6) Schematic Diagram	103
14 Conduct Views	51	15.26. DN-Board (5 of 6) Schematic Diagram	104
14.1. P-Board (37inch)	51	15.27. DN-Board (6 of 6) Schematic Diagram	105
14.2. P-Board (42inch)	54	15.28. D-Board Block Diagram	106
14.3. HX-Board	57	15.29. D-Board (1 of 6) Schematic Diagram	107
14.4. GK, K and S-Board	58	15.30. D-Board (2 of 6) Schematic Diagram	108
14.5. DS-Board	59	15.31. D-Board (3 of 6) Schematic Diagram	109
14.6. DN-Board	61	15.32. D-Board (4 of 6) Schematic Diagram	110
14.7. D-Board	63	15.33. D-Board (5 of 6) Schematic Diagram	111
14.8. C1-Board (37inch)	65	15.34. D-Board (6 of 6) Schematic Diagram	112
14.9. C1-Board (42inch)	66	15.35. C1 and C2-Board Block Diagram	113
14.10. C2-Board (37inch)	67	15.36. C1-Board (1 of 2) Schematic Diagram (37inch)	114
14.11. C2-Board (42inch)	68	15.37. C1-Board (2 of 2) Schematic Diagram (37inch)	115
14.12. SC-Board	69	15.38. C1-Board (1 of 2) Schematic Diagram (42inch)	116
14.13. SU-Board (37inch)	72	15.39. C1-Board (2 of 2) Schematic Diagram (42inch)	117
14.14. SU-Board (42inch)	73	15.40. C2-Board (1 of 2) Schematic Diagram (37inch)	118
14.15. SD-Board (37inch)	74	15.41. C2-Board (2 of 2) Schematic Diagram (37inch)	119
14.16. SD-Board (42inch)	75	15.42. C2-Board (1 of 2) Schematic Diagram (42inch)	120
14.17. SS-Board	76	15.43. C2-Board (2 of 2) Schematic Diagram (42inch)	121
15 Block and Schematic Diagram	79	15.44. SC-Board Block Diagram	122
15.1. Schematic Diagram Notes	79	15.45. SC-Board (1 of 2) Schematic Diagram	123
15.2. Main Block Diagram (37inch)	80	15.46. SC-Board (2 of 2) Schematic Diagram	124
15.3. Main Block Diagram (42 inch)	81	15.47. SU and SD-Board Block Diagram	125
15.4. P-Board Block Diagram	82	15.48. SU-Board (1 of 2) Schematic Diagram (37inch)	126
15.5. P-Board (1 of 6) Schematic Diagram	83	15.49. SU-Board (2 of 2) Schematic Diagram (37inch)	127
15.6. P-Board (2 of 6) Schematic Diagram	84	15.50. SU-Board (1 of 2) Schematic Diagram (42inch)	128
15.7. P-Board (3 of 6) Schematic Diagram	85	15.51. SU-Board (2 of 2) Schematic Diagram (42inch)	129
15.8. P-Board (4 of 6) Schematic Diagram	86	15.52. SD-Board (1 of 2) Schematic Diagram (37inch)	130
15.9. P-Board (5 of 6) Schematic Diagram	87	15.53. SD-Board (2 of 2) Schematic Diagram (37inch)	131
15.10. P-Board (6 of 6) Schematic Diagram	88	15.54. SD-Board (1 of 2) Schematic Diagram (42inch)	132
15.11. HX-Board Block and Schematic Diagram	89	15.55. SD-Board (2 of 2) Schematic Diagram (42inch)	133
15.12. GK and K-Board Block and Schematic Diagram	90	15.56. SS and S-Board Block Diagram	134
15.13. DS-Board (1 of 2) Block Diagram	91	15.57. SS and S-Board (1 of 2) Schematic Diagram	135
15.14. DS-Board (2 of 2) Block Diagram	92	15.58. SS and S-Board (2 of 2) Schematic Diagram	136
15.15. DS-Board (1 of 5) Schematic Diagram	93	16 Parts Location	137
15.16. DS-Board (2 of 5) Schematic Diagram	94	16.1. Exploded View	137
15.17. DS-Board (3 of 5) Schematic Diagram	95	16.2. Cable relation	140
15.18. DS-Board (4 of 5) Schematic Diagram	96	16.3. Accessories Box	141
15.19. DS-Board (5 of 5) Schematic Diagram	97	17 Mechanical Replacement Parts List	142
15.20. DN-Board (1 of 2) Block Diagram	98	18 Replacement Parts List	143
15.21. DN-Board (2 of 2) Block Diagram	99	18.1. Relplacement Parts List Notes	143
15.22. DN-Board (1 of 6) Schematic Diagram	100	18.2. TH-37PR10U Electrical Replacement Parts List	144
15.23. DN-Board (2 of 6) Schematic Diagram	101	18.3. TH-42PR10U Electrical Replacement Parts List	164

1 Applicable signals

Applicable input signals for Mini D-sub 15P (Component) / Mini D-sub 15P (RGB) (* Mark)

	Signal name	Horizontal frequency (kHz)	Vertical frequency (Hz)	Dot clock frequency (MHz)	Mini D-sub 15P (Component)	Mini D-sub 15P (RGB)
1	525 (480) / 60i	15.73	59.94	13.5	*	*
2	525 (480) / 60p	31.47	59.94	27.0	*	* *1
3	625 (575) / 50i	15.63	50.00	13.5	*	*
4	625 (575) / 50p	31.25	50.00	27.0	*	*
5	750 (720) / 60p	45.00	60.00	74.25	*	*
6	750 (720) / 50p	37.50	50.00	74.25	*	*
7	1,125 (1,080) / 60i	33.75	60.00	74.25	*	*
8	1,125 (1,080) / 50i	28.13	50.00	74.25	*	*
9	1,125 (1,080) / 24sF	27.00	47.92	74.25	*	*
10	1,125 (1,080) / 30p	33.75	30.00	74.25	*	*
11	1,125 (1,080) / 25p	28.13	25.00	74.25	*	*
12	1,125 (1,080) / 24p	27.00	24.00	74.25	*	*
13	1,250 (1,080) / 50i	31.25	50.00	74.25	*	*
14	640 × 400 @70 Hz	31.46	70.07	25.17		*
15	640 × 480 @60 Hz	31.47	59.94	25.18		* *2
16	640 × 480 @72 Hz	37.86	72.81	31.5		*
17	640 × 480 @75 Hz	37.50	75.00	31.5		*
18	640 × 480 @85 Hz	43.27	85.01	36.0		*
19	852 × 480 @60 Hz	31.47	59.94	33.54		* *2
20	800 × 600 @56 Hz	35.16	56.25	36.0		*
21	800 × 600 @60 Hz	37.88	60.32	40.0		*
22	800 × 600 @72 Hz	48.08	72.19	50.0		*
23	800 × 600 @75 Hz	46.88	75.00	49.5		*
24	800 × 600 @85 Hz	53.67	85.06	56.25		*
25	1,024 × 768 @60 Hz	48.36	60.00	65.0		*
26	1,024 × 768 @70 Hz	56.48	70.07	75.0		*
27	1,024 × 768 @75 Hz	60.02	75.03	78.75		*
28	1,024 × 768 @85 Hz	68.68	85.00	94.5		*
29	1,152 × 864 @75 Hz	67.50	75.00	108.0		*
30	1,280 × 960 @60 Hz	60.00	60.00	108.0		*
31	1,280 × 960 @85 Hz	85.94	85.00	148.5		*
32	1,280 × 1,024 @60 Hz	63.98	60.02	108.0		*
33	1,280 × 1,024 @75 Hz	79.98	75.03	135.0		*
34	1,280 × 1,024 @85 Hz	91.15	85.02	157.5		*
35	1,600 × 1,200 @60 Hz	75.00	60.00	162.0		*
36	1,600 × 1,200 @65 Hz	81.25	65.00	175.5		*
37	1,066 × 600 @60 Hz	37.64	59.94	53.0		*
38	1,366 × 768 @60 Hz	48.36	60.00	86.71		*
39	Macintosh13" (640 × 480)	35.00	66.67	30.24		*
40	Macintosh16" (832 × 624)	49.72	74.54	57.28		*
41	Macintosh21" (1,152 × 870)	68.68	75.06	100.0		*

* 1: When selected the RGB format and 525p signal input to the Mini D-sub 15P terminal, it is recognized as VGA 60Hz signal.

* 2: When inputted VGA 60Hz format signal from the other than Mini D-sub 15P terminal, it is recognized as 525p signal.

Note: Signals without above specification may not be displayed properly.

2 Safety Precautions

2.1. General Guidelines

1. When conducting repairs and servicing, do not attempt to modify the equipment, its parts or its materials.
2. When wiring units (with cables, flexible cables or lead wires) are supplied as repair parts and only one wire or some of the wires have been broken or disconnected, do not attempt to repair or re-wire the units. Replace the entire wiring unit instead.
3. When conducting repairs and servicing, do not twist the Faston connectors but plug them straight in or unplug them straight out.
4. When servicing, observe the original lead dress. If a short circuit is found, replace all parts which have been overheated or damaged by the short circuit.
5. After servicing, see to it that all the protective devices such as insulation barriers, insulation papers shields are properly installed.
6. After servicing, make the following leakage current checks to prevent the customer from being exposed to shock hazards.

2.1.1. Leakage Current Cold Check

1. Unplug the AC cord and connect a jumper between the two prongs on the plug.
2. Measure the resistance value, with an ohmmeter, between the jumpered AC plug and each exposed metallic cabinet part on the equipment such as screwheads, connectors, control shafts, etc. When the exposed metallic part has a return path to the chassis, the reading should be between 1Mohm and 5.2Mohm.

When the exposed metal does not have a return path to the chassis, the reading must be ∞ .

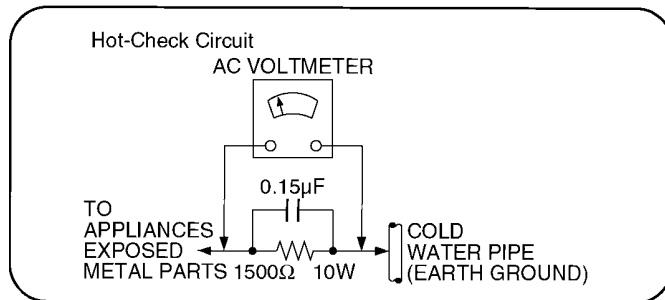


Figure 1

2.1.2. Leakage Current Hot Check (See Figure 1.)

1. Plug the AC cord directly into the AC outlet. Do not use an isolation transformer for this check.
2. Connect a 1.5kohm, 10 watts resistor, in parallel with a 0.15µF capacitors, between each exposed metallic part on the set and a good earth ground such as a water pipe, as shown in Figure 1.
3. Use an AC voltmeter, with 1000 ohms/volt or more sensitivity, to measure the potential across the resistor.
4. Check each exposed metallic part, and measure the voltage at each point.
5. Reverse the AC plug in the AC outlet and repeat each of the above measurements.
6. The potential at any point should not exceed 0.75 volts RMS. A leakage current tester (Simpson Model 229 or equivalent) may be used to make the hot checks, leakage current must not exceed 1/2 milliamp. In case a measurement is outside of the limits specified, there is a possibility of a shock hazard, and the equipment should be repaired and rechecked before it is returned to the customer.

3 Prevention of Electrostatic Discharge (ESD) to Electrostatically Sensitive (ES) Devices

Some semiconductor (solid state) devices can be damaged easily by static electricity. Such components commonly are called Electrostatically Sensitive (ES) Devices. Examples of typical ES devices are integrated circuits and some field-effect transistors and semiconductor "chip" components. The following techniques should be used to help reduce the incidence of component damage caused by electrostatic discharge (ESD).

1. Immediately before handling any semiconductor component or semiconductor-equipped assembly, drain off any ESD on your body by touching a known earth ground. Alternatively, obtain and wear a commercially available discharging ESD wrist strap, which should be removed for potential shock reasons prior to applying power to the unit under test.
2. After removing an electrical assembly equipped with ES devices, place the assembly on a conductive surface such as aluminum foil, to prevent electrostatic charge buildup or exposure of the assembly.
3. Use only a grounded-tip soldering iron to solder or unsolder ES devices.
4. Use only an anti-static solder removal device. Some solder removal devices not classified as "anti-static (ESD protected)" can generate electrical charge sufficient to damage ES devices.
5. Do not use freon-propelled chemicals. These can generate electrical charges sufficient to damage ES devices.
6. Do not remove a replacement ES device from its protective package until immediately before you are ready to install it. (Most replacement ES devices are packaged with leads electrically shorted together by conductive foam, aluminum foil or comparable conductive material).
7. Immediately before removing the protective material from the leads of a replacement ES device, touch the protective material to the chassis or circuit assembly into which the device will be installed.

Caution

Be sure no power is applied to the chassis or circuit, and observe all other safety precautions.

8. Minimize bodily motions when handling unpackaged replacement ES devices. (Otherwise harmless motion such as the brushing together of your clothes fabric or the lifting of your foot from a carpeted floor can generate static electricity (ESD) sufficient to damage an ES device).

IMPORTANT SAFETY NOTICE

There are special components used in this equipment which are important for safety. These parts are marked by Δ in the schematic diagrams, Exploded Views and replacement parts list. It is essential that these critical parts should be replaced with manufacturer's specified parts to prevent shock, fire, or other hazards. Do not modify the original design without permission of manufacturer.

4 About lead free solder (PbF)

Note: Lead is listed as (Pb) in the periodic table of elements.

In the information below, Pb will refer to Lead solder, and PbF will refer to Lead Free Solder.

The Lead Free Solder used in our manufacturing process and discussed below is (Sn+Ag+Cu).

That is Tin (Sn), Silver (Ag) and Copper (Cu) although other types are available.

This model uses Pb Free solder in it's manufacture due to environmental conservation issues. For service and repair work, we'd suggest the use of Pb free solder as well, although Pb solder may be used.

PCBs manufactured using lead free solder will have the PbF within a leaf Symbol **PbF** stamped on the back of PCB.

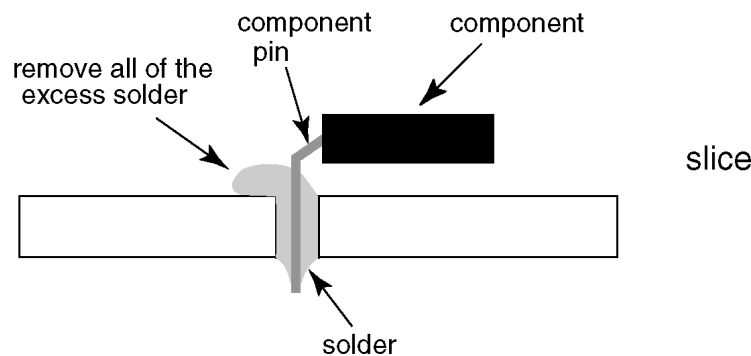
Caution

- Pb free solder has a higher melting point than standard solder. Typically the melting point is 50 ~ 70 °F (30~40 °C) higher. Please use a high temperature soldering iron and set it to 700 ± 20 °F (370 ± 10 °C).

- Pb free solder will tend to splash when heated too high (about 1100 °F or 600 °C).

If you must use Pb solder, please completely remove all of the Pb free solder on the pins or solder area before applying Pb solder. If this is not practical, be sure to heat the Pb free solder until it melts, before applying Pb solder.

- After applying PbF solder to double layered boards, please check the component side for excess solder which may flow onto the opposite side. (see figure below)



Suggested Pb free solder

There are several kinds of Pb free solder available for purchase. This product uses Sn+Ag+Cu (tin, silver, copper) solder. However, Sn+Cu (tin, copper), Sn+Zn+Bi (tin, zinc, bismuth) solder can also be used.

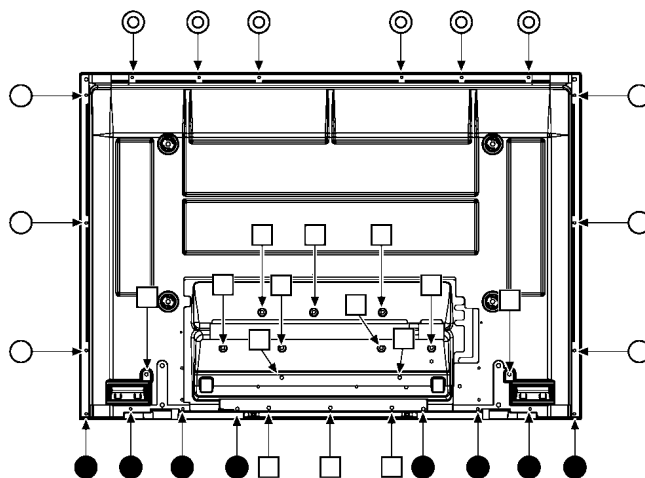
0.3mm X 100g	0.6mm X 100g	1.0mm X 100g

5 Service Hint

Note:

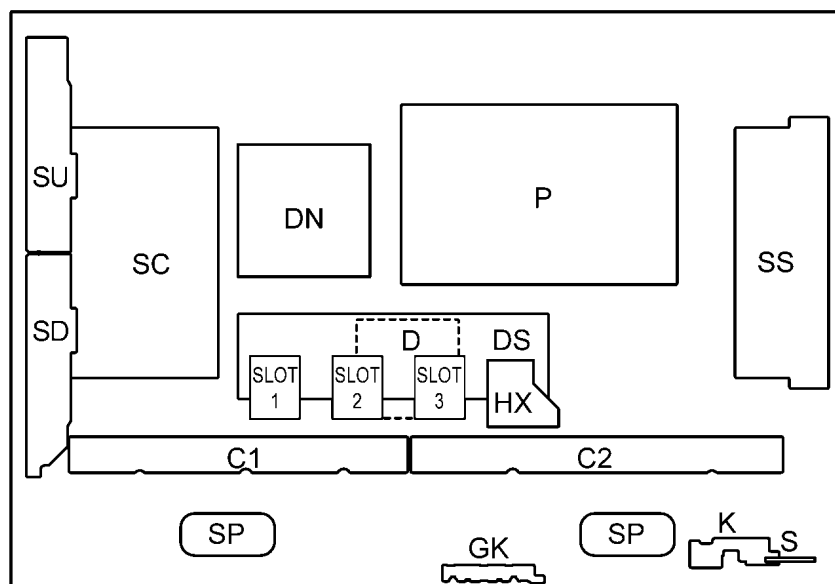
- The remote control transmitter is not included with this set.
- Execute by the following remote control transmitter when repairing.
product number : EUR7636070R

Remove Rear Cover



- Remove :
- 14 screws (□) THEL0429
 - 6 screws (○) XYN4+F30FJK
 - 6 screws (⊙) XYN4+F10FJK
 - 8 screws (●) XTB4+12GFJK

P.C.Boards Location



Board Name	Function	Board Name	Function
DN	Digital Signal Processor, Microcomputer	C1	Data Drive (Right)
D	Digital Signal Processor Format Converter, Plasma AI Processor	C2	Data Drive (Left)
DS	Slot Interface (Audio / Video / Sync input Switch), SYNC Processor, Audio Processor, Speaker Out Amplifier, DC-DC Converter	SP	Speaker terminal
Sustain drive	SS	S	Power switch
SC	Scan drive	K	Remote receiver, LED_G,R
SU	Scan out (Upper)	GK	Key switch
SD	Scan out (Lower)	P	Power supply
		HX	PC / RS-232C_Input terminal

Note:

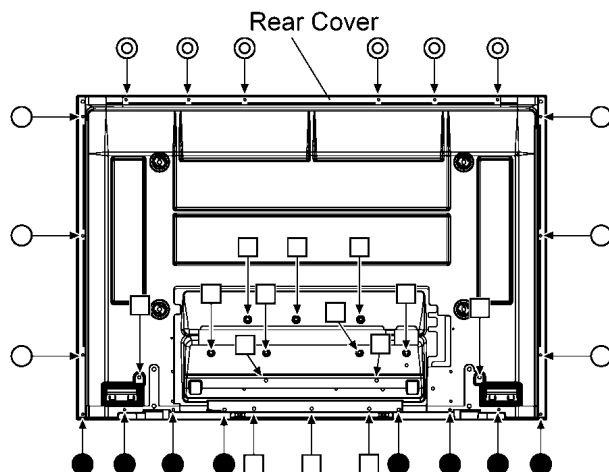
- Extension cable kit Slot Board is supplied as service fixtures and tools.
(Parts No. TZSC0704)

6 Disassembly TH-37PR10U

- To disassemble P.C.B., wait for 1 minute after power was off for discharge from electrolysis capacitors.
- ↑ and ↕ marks indicate screw positions.

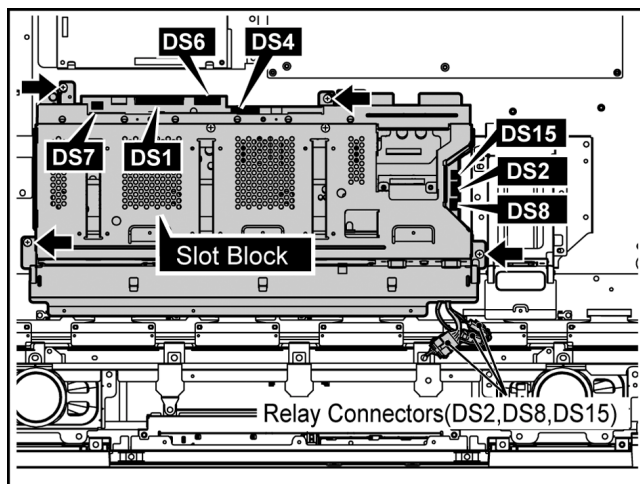
6.1. Removal of Rear Cover

1. Remove screws (×6 ○, ×6 ⊙, ×14 □, ×8 ●) and then remove the Rear Cover.



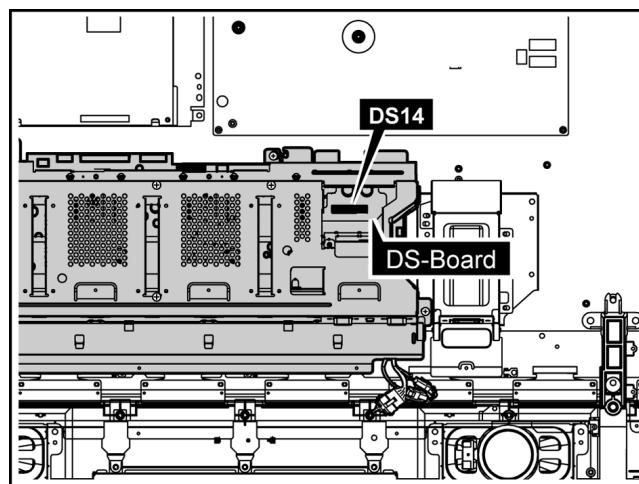
6.2. Removal of Slot Block

1. Disconnect the connectors (DS1, DS4, DS6, DS7).
2. Remove 4 screws and then remove the Slot Block.
3. Disconnect the connectors (DS2, DS8, DS15).

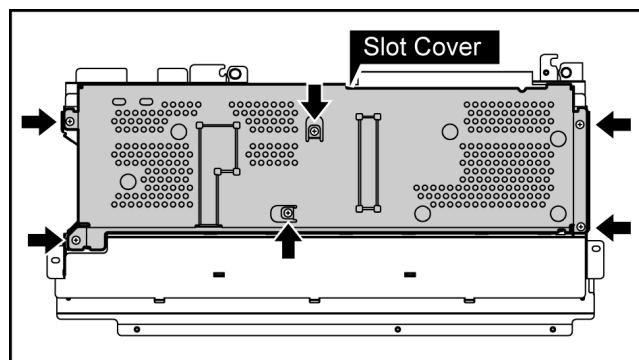


6.3. Removal of DS-Board

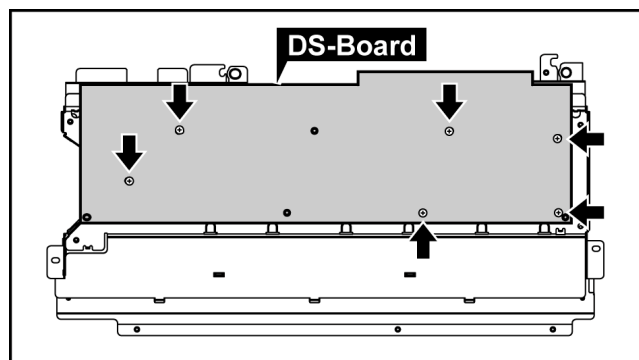
1. Remove the Slot Block.
(Refer to Removal of Slot Block)
2. Disconnect the connector (DS14).



3. The Slot Block is turned inside out.
4. Remove 6 screws and then remove the Slot Cover.

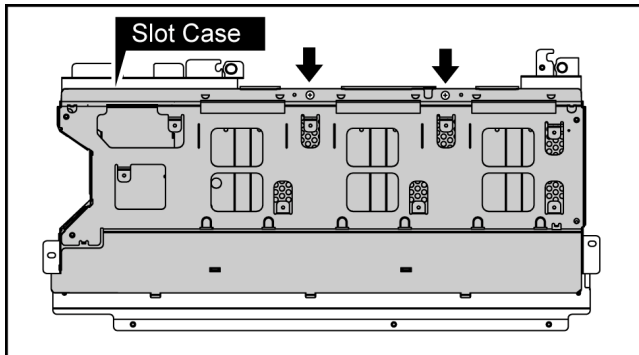


5. Remove 6 screws and then remove DS-Board.

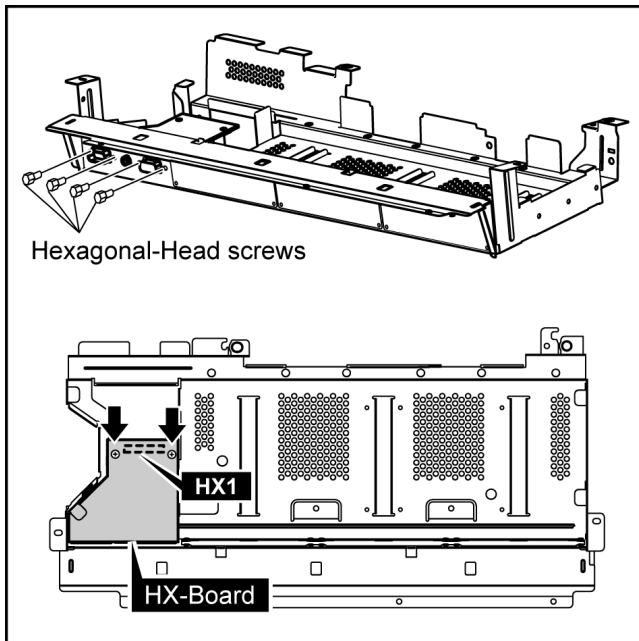


6.4. Removal of HX-Board

1. Remove the Slot Block.
(Refer to Removal of Slot Block)
2. Remove DS-Board.
(Refer to Removal of DS-Board)
3. Remove 2 screws and then remove the Slot Case.

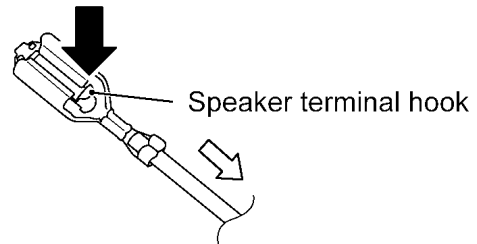


4. Remove 4 Hexagonal-Head screws and 2 screws and then remove HX-Board.

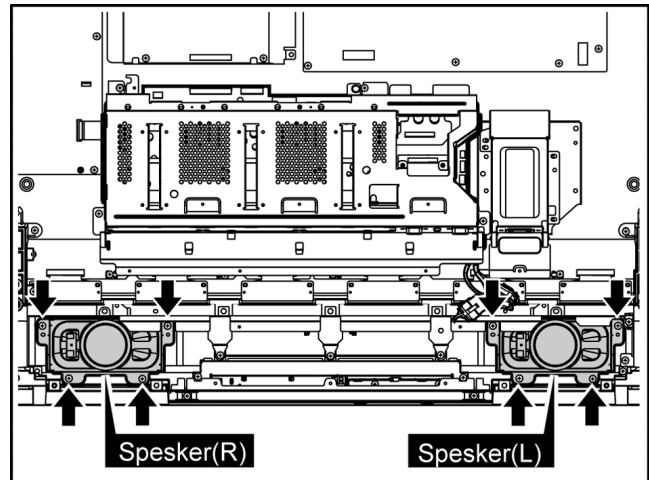


6.5. Removal of Speaker(L, R)

1. Connected terminal hook is pushed, and the speaker lead in 4 places is pulled out.

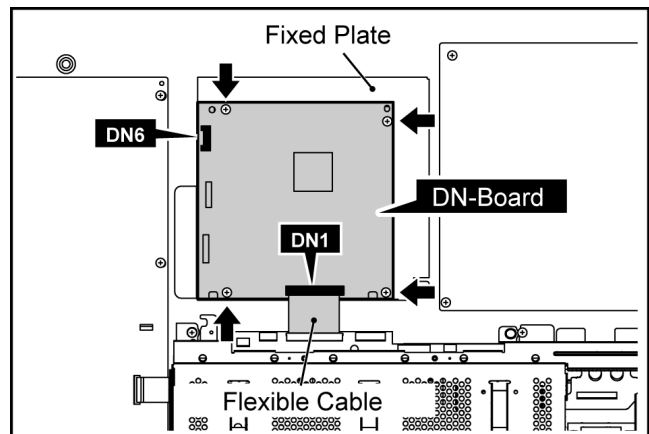


2. Remove 8 screws and then remove the Speaker(L, R).



6.6. Removal of DN-Board

1. Disconnect the connector(DN6).
2. Remove the Flexible Cable from the connector(DN1).
3. Remove 4 screws and then remove DN-Board and the Fixed Plate.

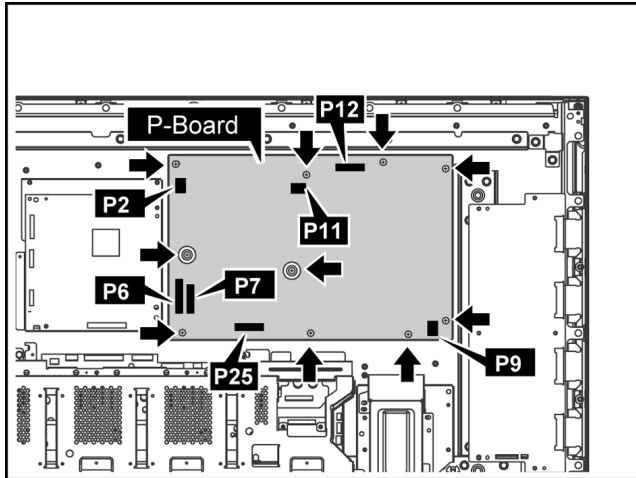


Note:

A re-setup of the destination is performed by MS mode after DN-Board exchange.

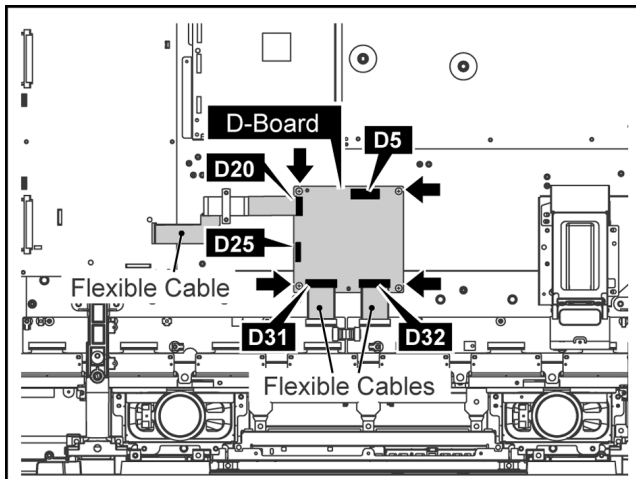
6.7. Removal of P-Board

1. Disconnect the connectors(P2, P6, P7, P9, P11, P12, P25)
2. Remove 10 screws and then remove P-Board.



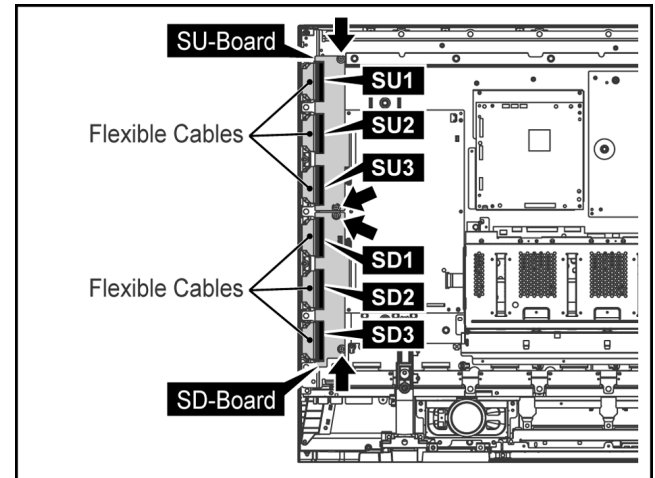
6.8. Removal of D-Board

1. Remove the Slot Block.
(Refer to Removal of Slot Block)
2. Disconnect the connectors(D5, D25)
3. Remove the Flexible Cables from the connectors (D20, D31, D32).
4. Remove 4 screws and then remove D-Board.

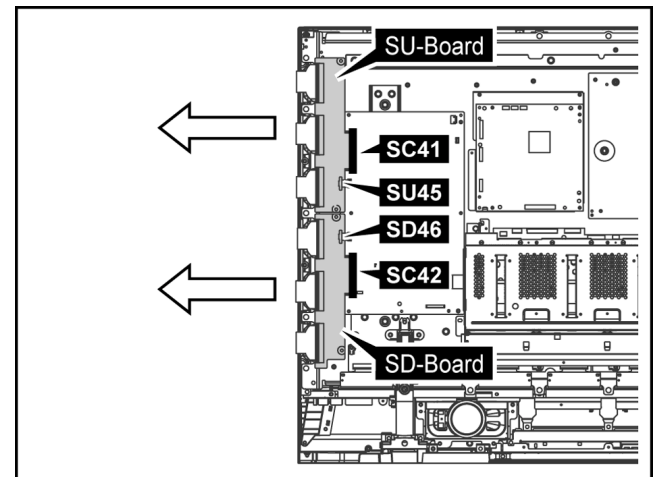


6.9. Removal of SU-Board and SD-Board

1. Remove the Flexible Cables from the connectors(SU1, SU2, SU3, SD1, SD2, SD3).
2. Remove 4 screws.

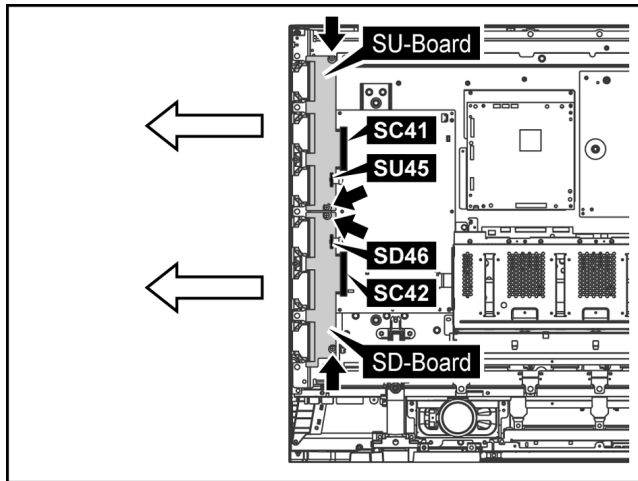


3. Disconnect the connectors(SU45, SD46).
4. Slide SU-Board and SD-Board to the left, remove SU-Board and SD-Board from the connectors(SC41, SC42).

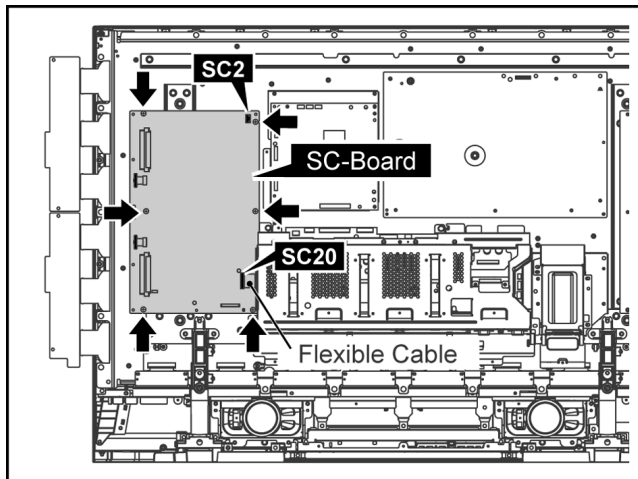


6.10. Removal of SC-Board

1. Disconnect the connectors (SU45, SD46).
2. Remove 4 screws (⬆) and then slide SU-Board and SD-Board to the left.

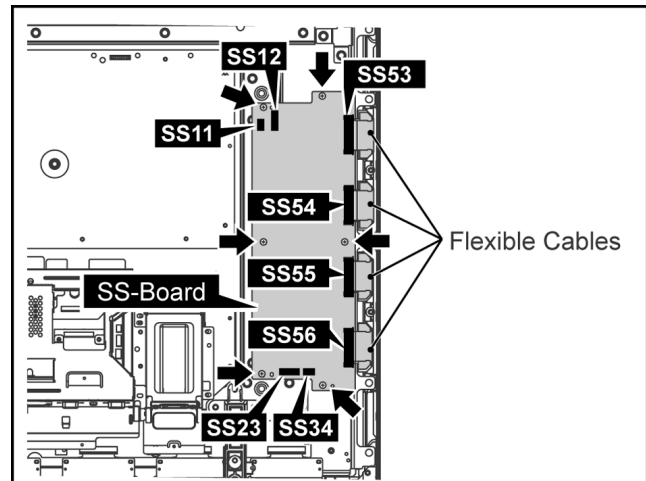


3. Disconnect the connectors(SC2, SC20).
4. Remove 6 screws and then remove SC-Board.



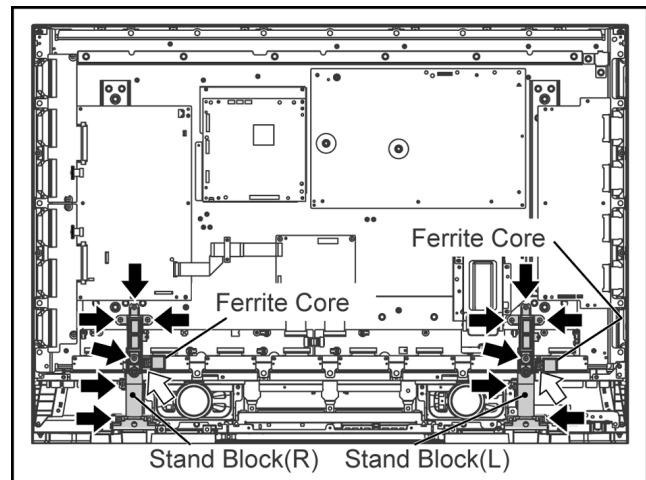
6.11. Removal of SS-Board

1. Disconnect the connectors (SS11, SS12, SS23, SS34).
2. Remove the Flexible Cables from the connectors(SS53, SS54, SS55, SS56)
3. Remove 6 screws and then remove SS-Board.



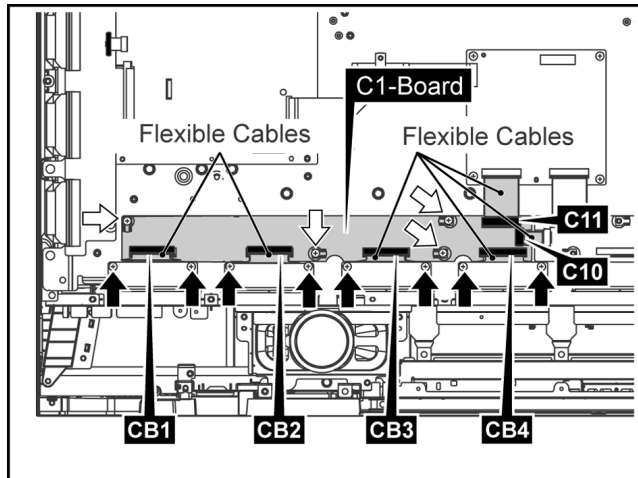
6.12. Removal of C1, C2-Board

1. Remove the Slot Block.
(Refer to Removal of Slot Block)
2. Remove 2 screws (⬆) and then remove the Ferrite Core from the Stand Block(L, R).
3. Remove 12 screws (⬆) and then remove the Stand Block(L, R).



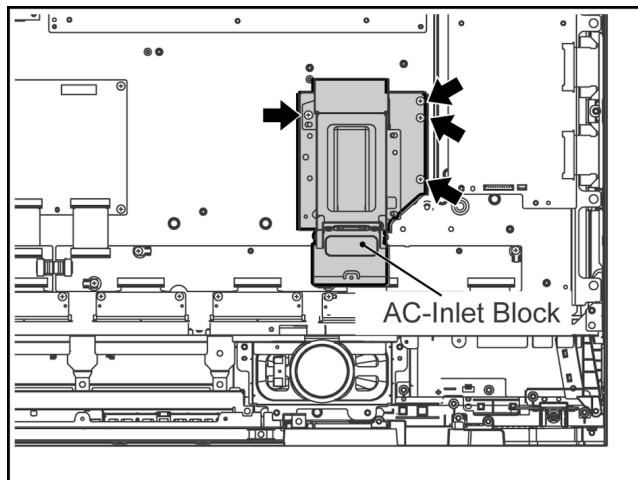
6.12.1. Removal of C1-Board

1. Remove the Flexible Cables from the connectors(C10, C11).
2. Remove 8 screws (▲) and then remove the Flexible Cables from the connectors(CB1, CB2, CB3, CB4).
3. Remove 4 screws (⤴) and then remove C1-Board.

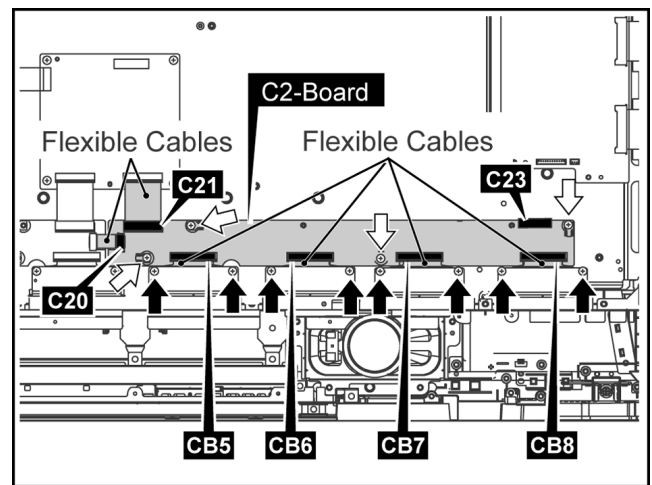


6.12.2. Removal of C2-Board

1. Remove 4 screws (▲) and then remove the AC-Inlet Block.

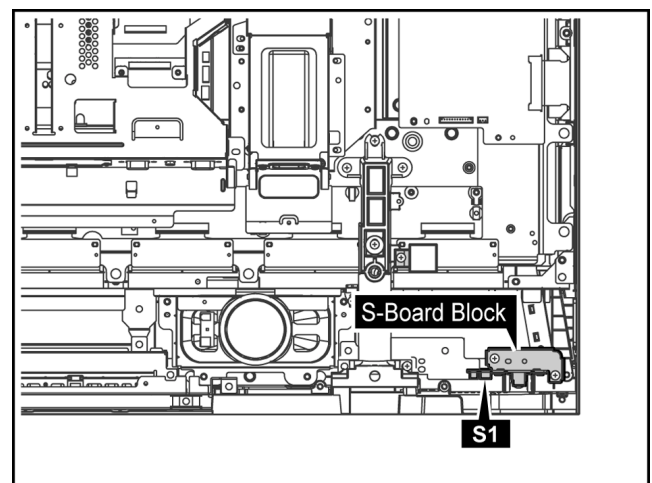


2. Remove the Flexible Cables from the connectors(C20 , C21, C23).
3. Remove 8 screws (▲) and then remove the Flexible Cables from the connectors(CB5, CB6, CB7, CB8).
4. Remove 4 screws (⤴) and then remove C2-Board.

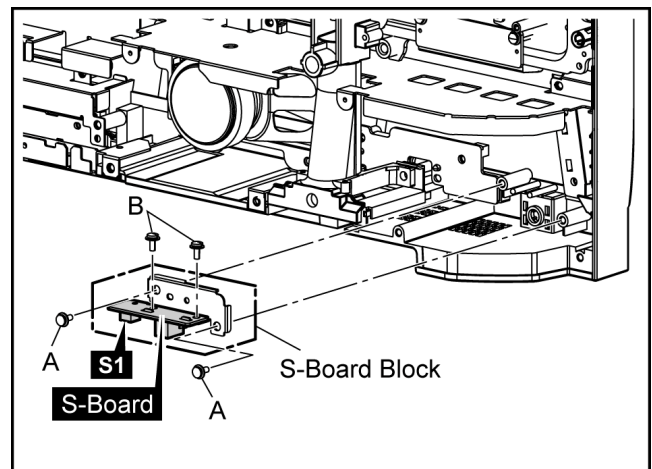


6.13. Removal of S-Board

1. Disconnect the connector(S1).

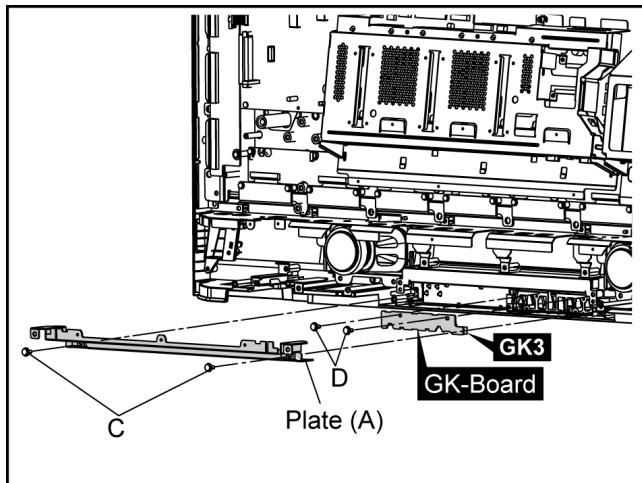


2. Remove 2 screws(A) and then remove S-Board Block.
3. Remove 2 screws(B) and then remove S-Board.



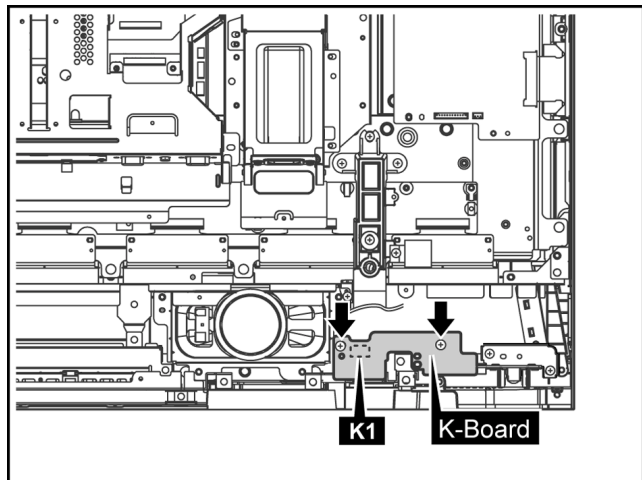
6.14. Removal of GK-Board

1. Remove 2 screws(C) and then remove the Plate(A).
2. Remove 2 screws(D).
3. Disconnect the connector(GK3) and then remove GK-Board.



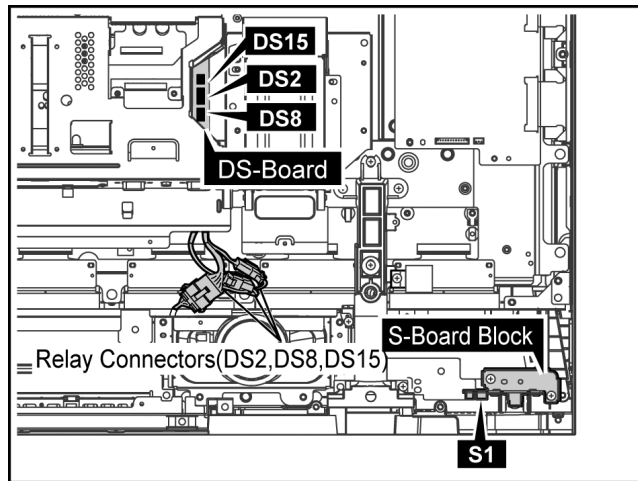
6.15. Removal of K-Board

1. Remove 2 screws.
2. Then remove K-Board and disconnect the connector(K1).

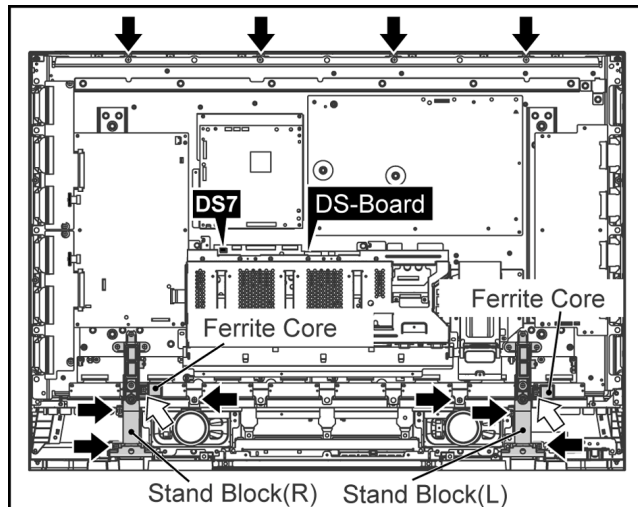


6.16. Removal of Escutcheon and the Front Glass

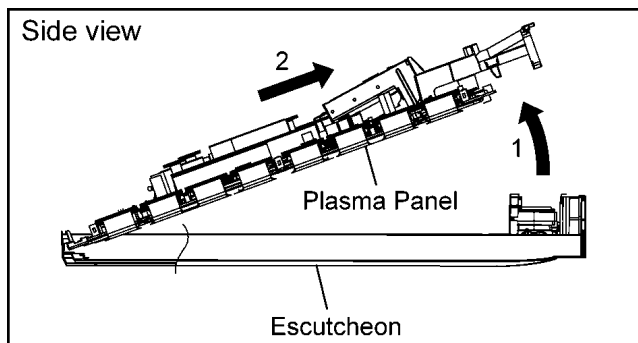
1. Disconnect the Relay connectors (DS2, DS8, DS15).
2. Disconnect the connector(S1).



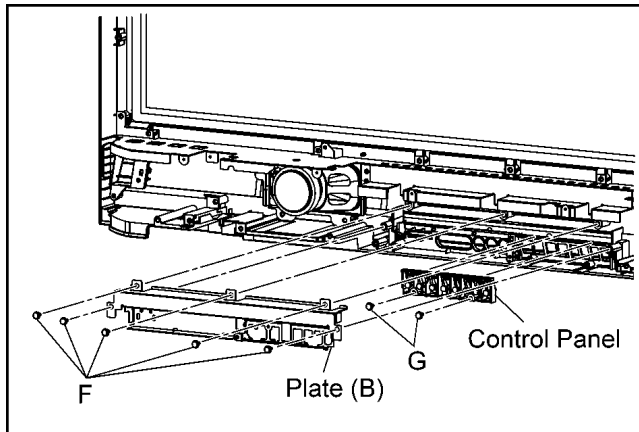
3. Disconnect the connector(DS7).
4. Remove 2 screws (⇧) and then remove the Ferrite core from the Stand Block(L, R).
5. Remove 10 screws (⇩).



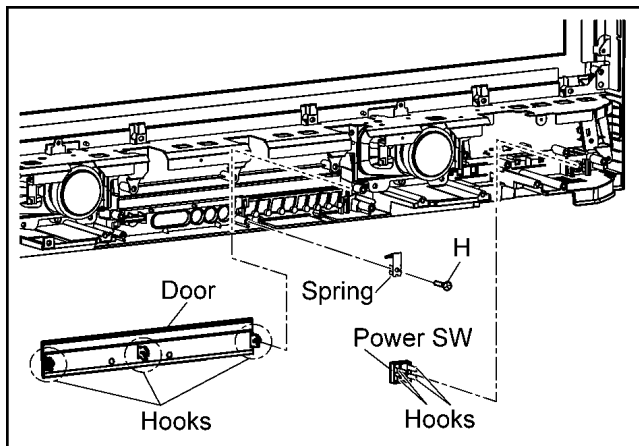
6. Lift up the bottom of Plasma Panel to the arrow1 direction.
7. Pull the Plasma Panel to the arrow2 direction and then remove the Plasma Panel.



8. Remove the S-Board Block.
(Refer to Removal of S-Board)
9. Remove K-Board.
(Refer to Removal of K-Board)
10. Remove GK-Board.
(Refer to Removal of GK-Board)
11. Remove 5 screws(F) and then remove the Plate(B).
12. Remove 2 screws(G) and then remove the Control Panel.



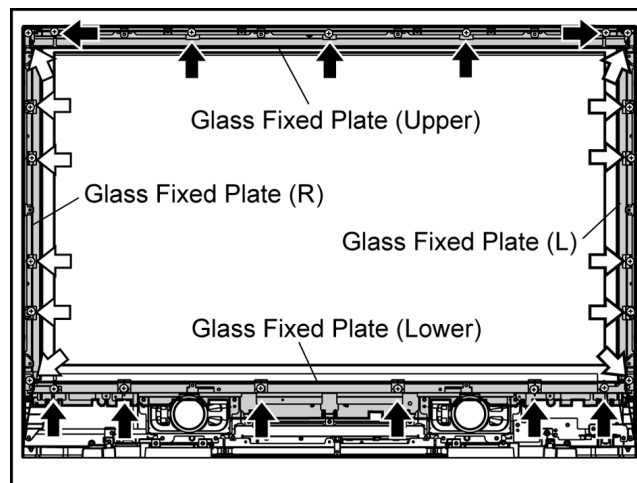
13. Remove 1 screw(H) and then remove the Spring.
14. Remove 3 hooks and then remove the Door.
15. Remove 4 hooks and then remove the Power SW.



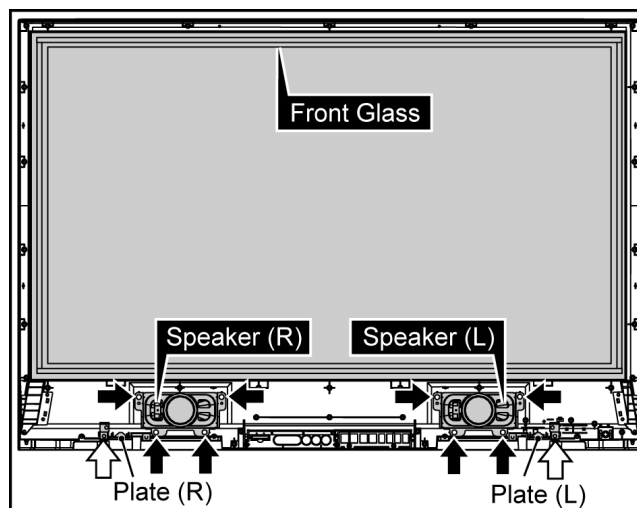
16. Remove screws and then remove the Glass Fixed Plate (L, R, Upper, Lower).

Removed number of screws:

- 12 screws (L, R) (⇄)
- 5 screws (Upper) (⬆)
- 6 screws (Lower) (⬆)

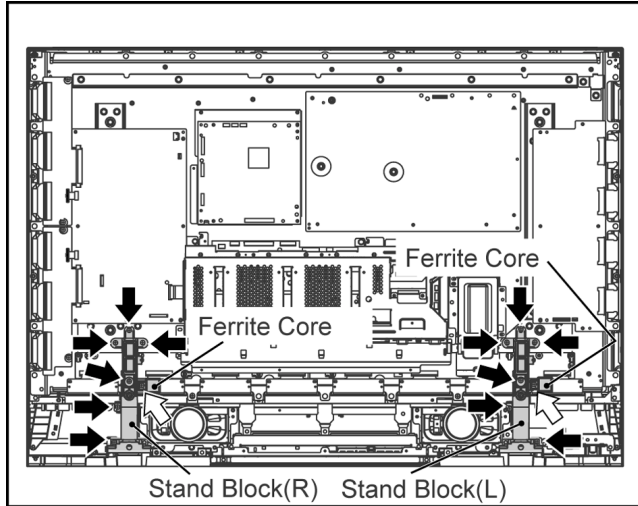


17. Remove the Front Glass.
18. Remove 2 screws (⇄) and then remove the Plate(L, R).
19. Remove 8 screws (⬆) and then remove the Speaker (L, R).

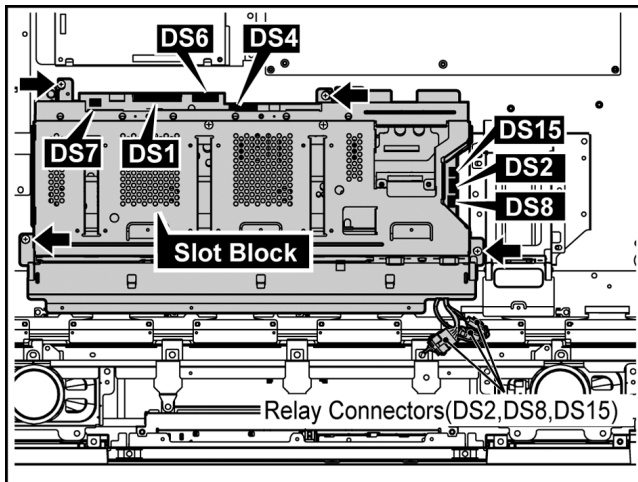


6.17. Removal of Plasma Panel

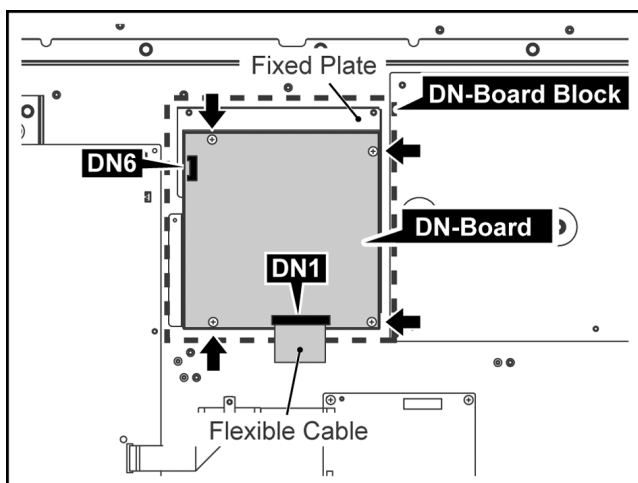
1. Remove 2 screws (⇩) and then remove the Ferrite Core from the Stand Block(L, R).
2. Remove 12 screws (⇩) and then remove the Stand Block(L, R).



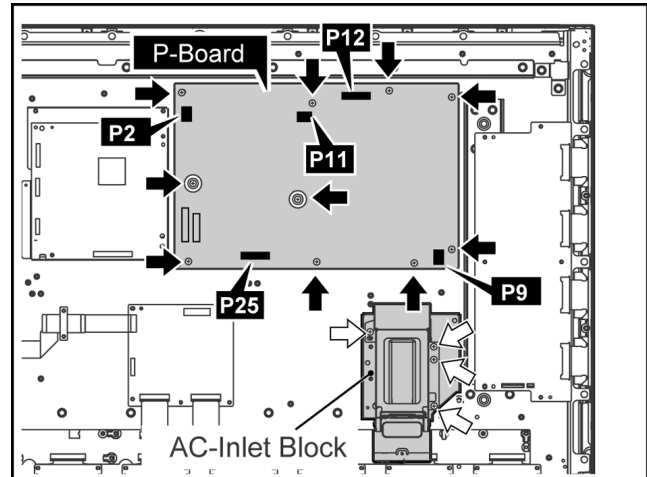
3. Disconnect the connectors(DS1, DS4, DS6, DS7).
4. Remove 4 screws and then remove the Slot Block.
5. Disconnect the connectors(DS2, DS8, DS15).



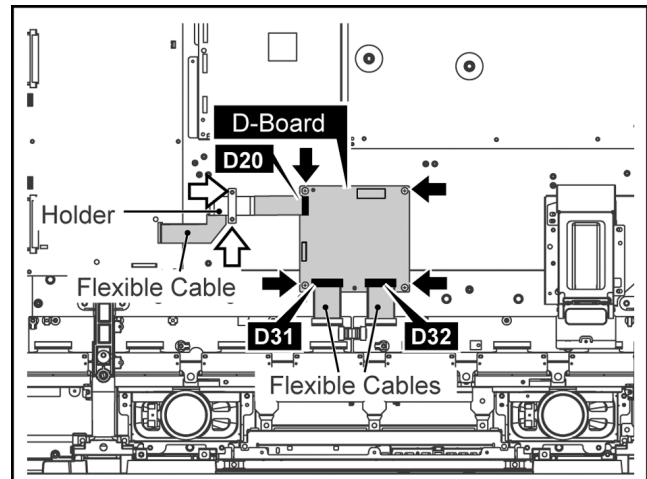
6. Disconnect the connector(DN6).
7. Remove the Flexible Cable from the connector(DN1).
8. Remove 4 screws and then remove the DN-Board Block.



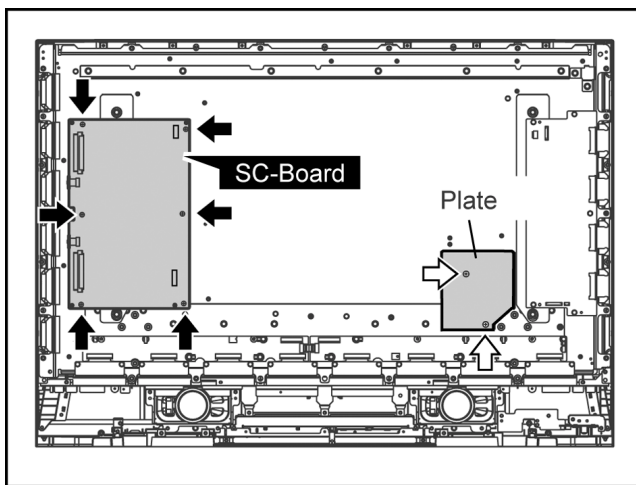
9. Disconnect the connectors(P2, P9, P11, P12, P25).
10. Remove 10 screws (⇩) and then remove P-Board.
11. Remove 4 screws (⇩) and then remove the AC-Inlet Block.



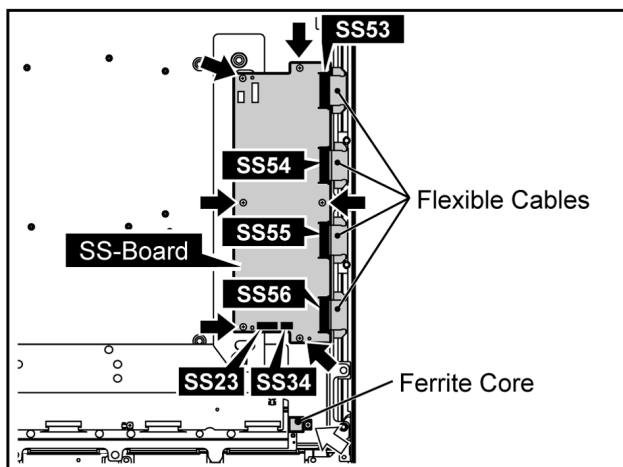
12. Disconnect the connector(D20).
13. Remove the Flexible Cables from the connectors(D31, D32).
14. Remove 4 screws and then remove D-Board.
15. Remove 2 screws (⇩) and then remove the Holder.



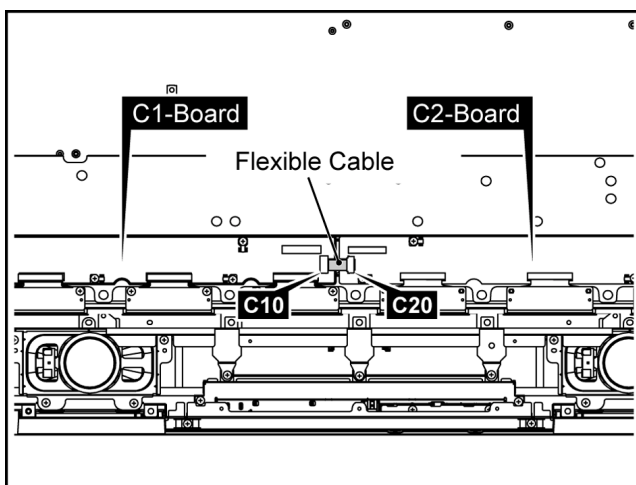
16. Remove SU-Board and SD-Board.
(Refer to Removal of SU-Board and SD-Board)
17. Remove 6 screws (⇩) and then remove SC-Board.
18. Remove 2 screws (⇩) and then remove the Plate.



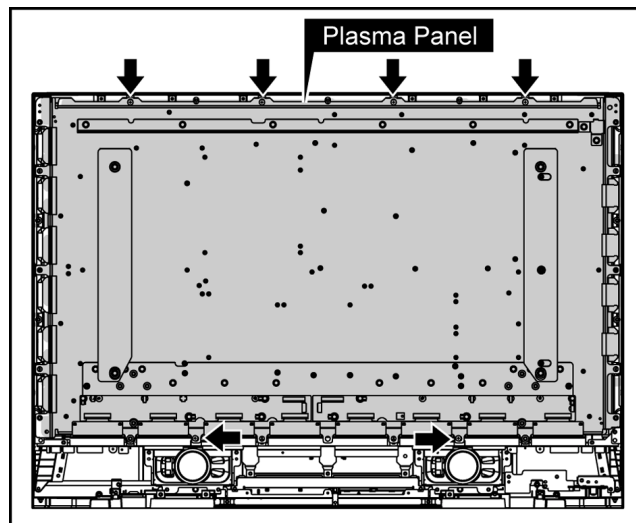
19. Disconnect the connectors(SS23, SS34).
20. Remove the Flexible Cables from the connectors(SS53, SS54, SS55, SS56).
21. Remove 6 screws (↑) and then remove SS-Board.
22. Remove 1 screw (⇧) and then remove the Ferrite Core.



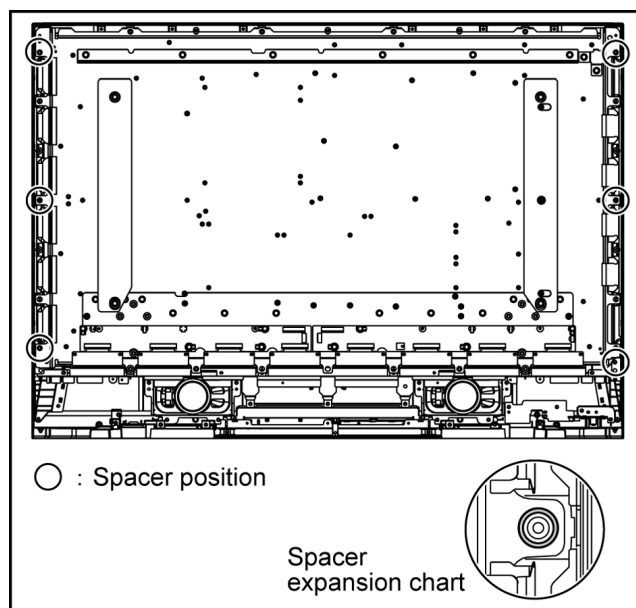
23. Remove the Flexible Cable from the connectors(C10, C20).



24. Remove 6 screws (↑).



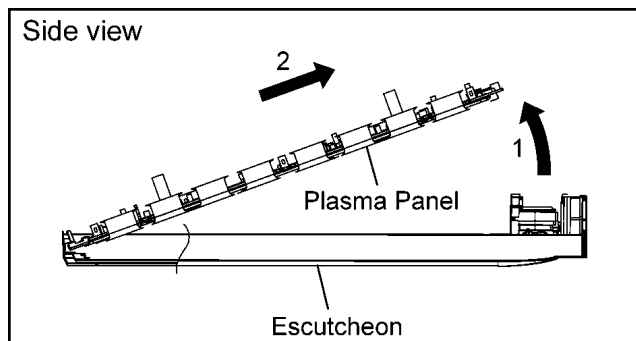
25. Remove the 6 Spacers and Spacer Rings from the Plasma Panel.



Caution:

- Please confirm the installation place of Spacer and Spacer Ring when you exchange the Plasma Panel, and install Spacer and Spacer Ring in an original installation place after exchanging the Plasma Panel.

26. Lift up the bottom of Plasma Panel to the arrow1 direction.
27. Pull the Plasma Panel to the arrow2 direction and then remove the Plasma Panel.

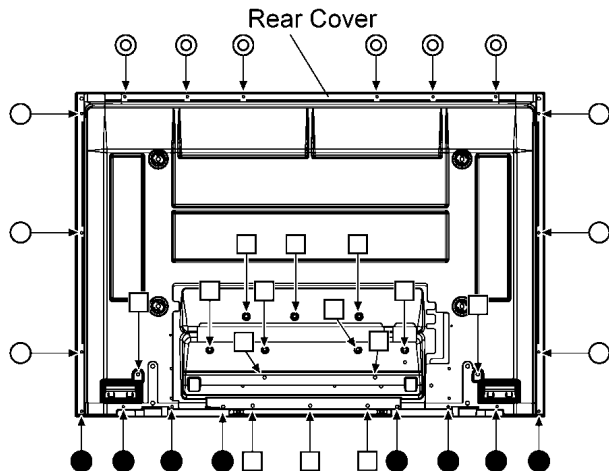


7 Disassembly TH-42PR10U

- To disassemble P.C.B., wait for 1 minute after power was off for discharge from electrolysis capacitors.
- ⬆ and ⬆ marks indicate screw positions.

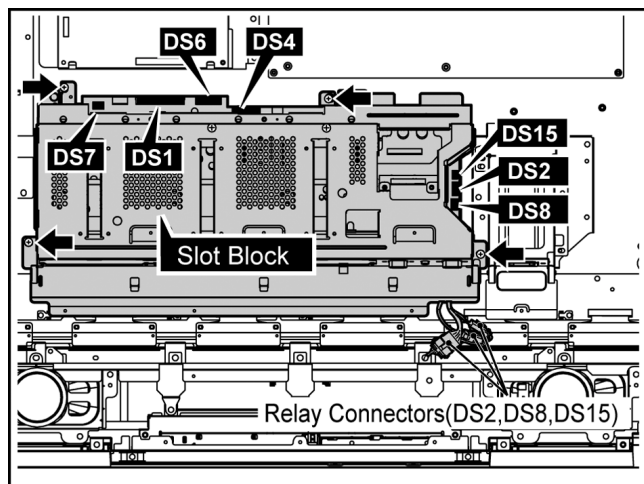
7.1. Removal of Rear Cover

1. Remove screws (×6 ○, ×6 ⊙, ×14 □, ×8 ●) and then remove the Rear Cover.



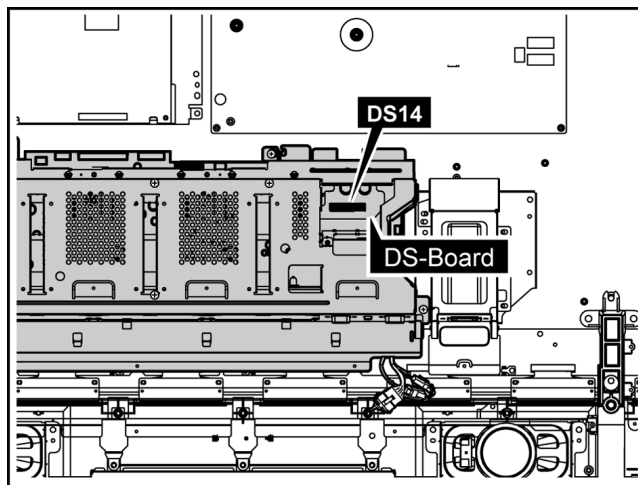
7.2. Removal of Slot Block

1. Disconnect the connectors (DS1, DS4, DS6, DS7).
2. Remove 4 screws and then remove the Slot Block.
3. Disconnect the connectors (DS2, DS8, DS15).

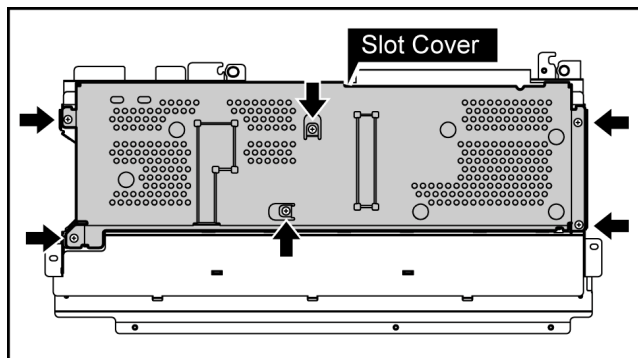


7.3. Removal of DS-Board

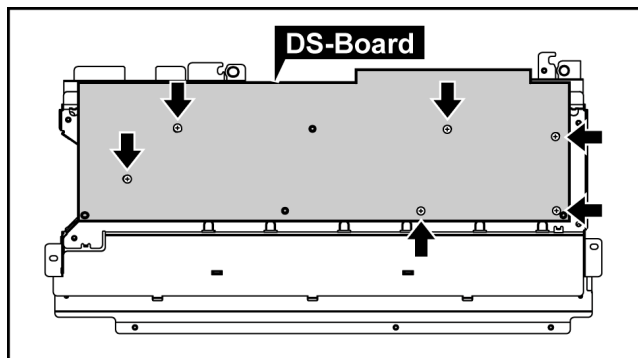
1. Remove the Slot Block.
(Refer to Removal of Slot Block)
2. Disconnect the connector (DS14).



3. The Slot Block is turned inside out.
4. Remove 6 screws and then remove the Slot Cover.

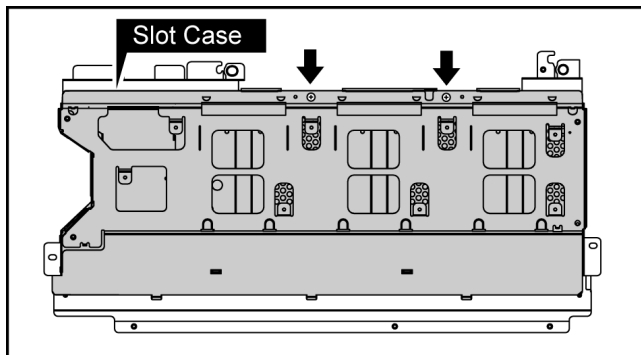


5. Remove 6 screws and then remove DS-Board.

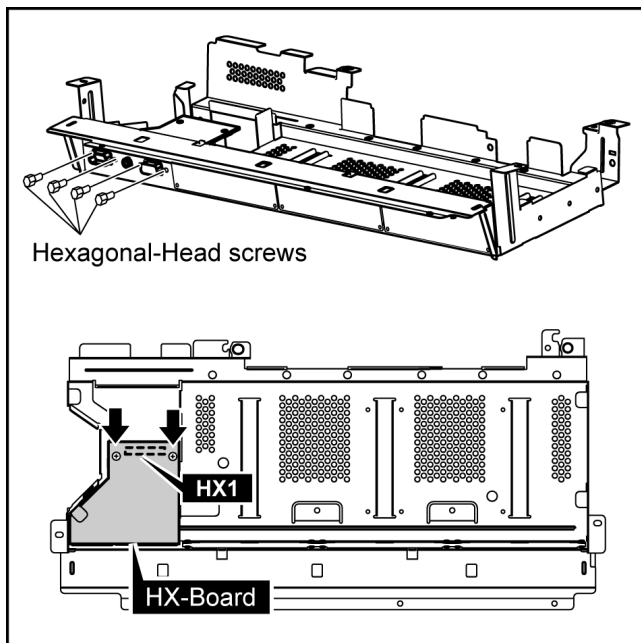


7.4. Removal of HX-Board

1. Remove the Slot Block.
(Refer to Removal of Slot Block)
2. Remove DS-Board.
(Refer to Removal of DS-Board)
3. Remove 2 screws and then remove the Slot Case.



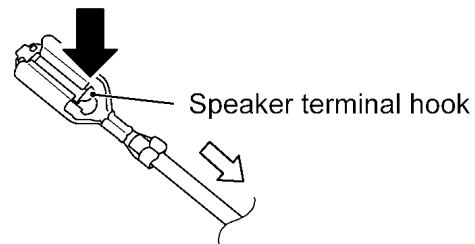
4. Remove 4 Hexagonal-Head screws and 2 screws and then remove HX-Board.



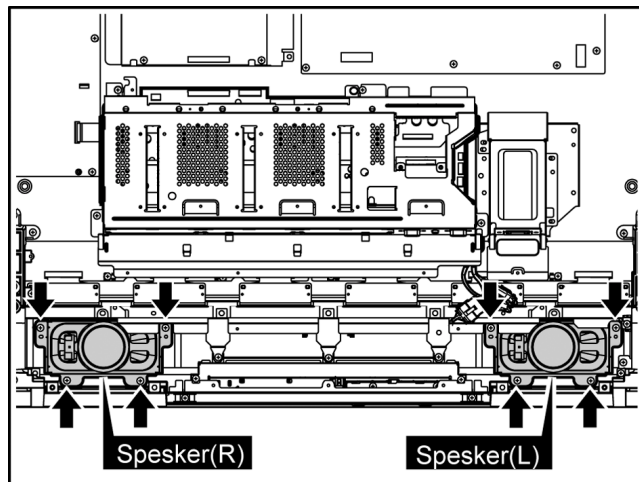
Hexagonal-Head screws

7.5. Removal of Speaker(L, R)

1. Connected terminal hook is pushed, and the speaker lead in 4 places is pulled out.

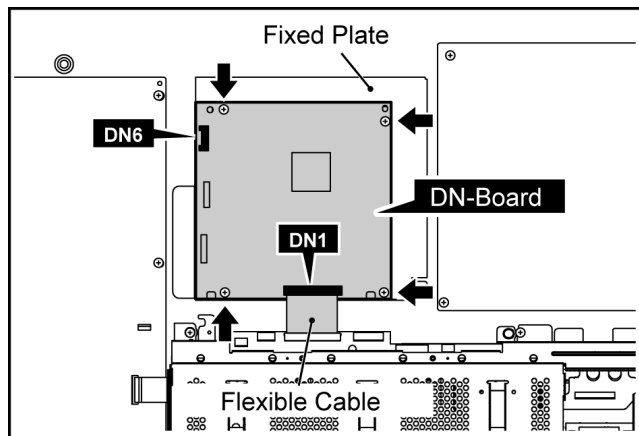


2. Remove 8 screws and then remove the Speaker(L, R).



7.6. Removal of DN-Board

1. Disconnect the connector(DN6).
2. Remove the Flexible Cable from the connector(DN1).
3. Remove 4 screws and then remove DN-Board and the Fixed Plate.

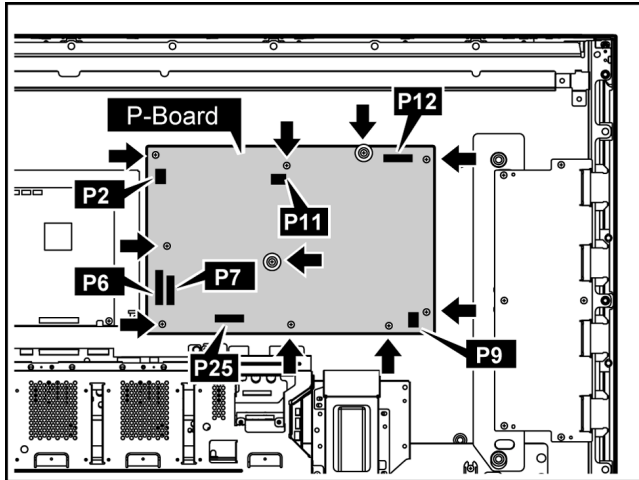


Note:

A re-setup of the destination is performed by MS mode after DN-Board exchange.

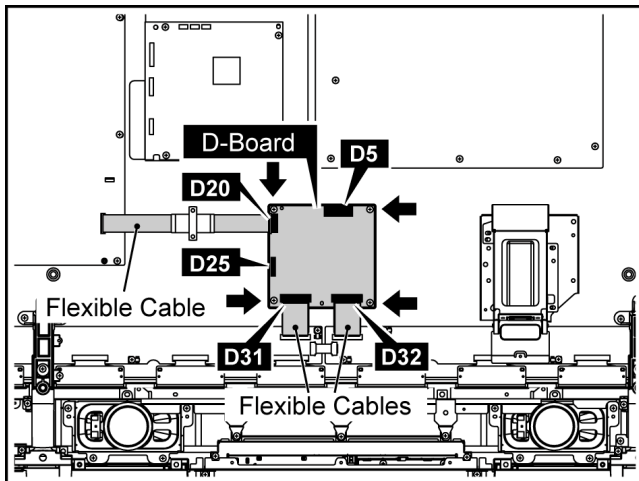
7.7. Removal of P-Board

1. Disconnect the connectors(P2, P6, P7, P9, P11, P12, P25)
2. Remove 10 screws and then remove P-Board.



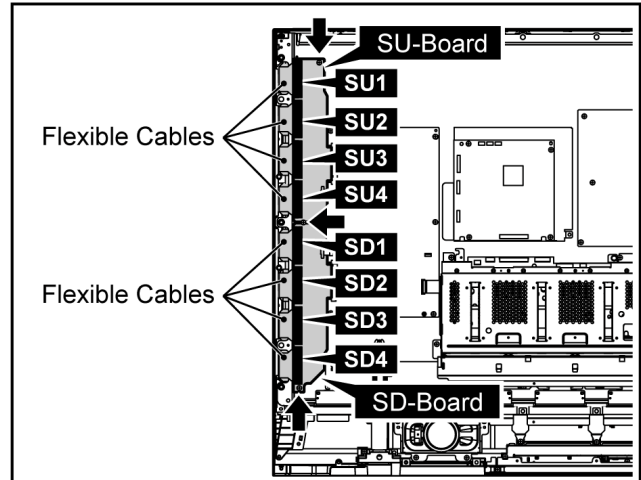
7.8. Removal of D-Board

1. Remove the Slot Block.
(Refer to Removal of Slot Block)
2. Disconnect the connectors(D5, D25)
3. Remove the Flexible Cables from the connectors (D20, D31, D32).
4. Remove 4 screws and then remove D-Board.

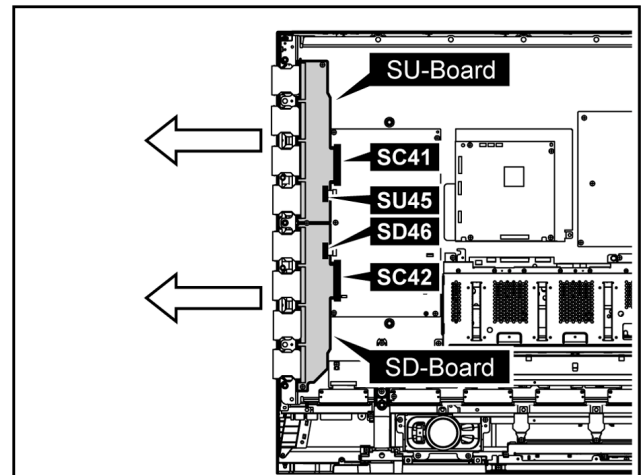


7.9. Removal of SU-Board and SD-Board

1. Remove the Flexible Cables from the connectors(SU1, SU2, SU3, SU4, SD1, SD2, SD3, SD4).
2. Remove 3 screws.

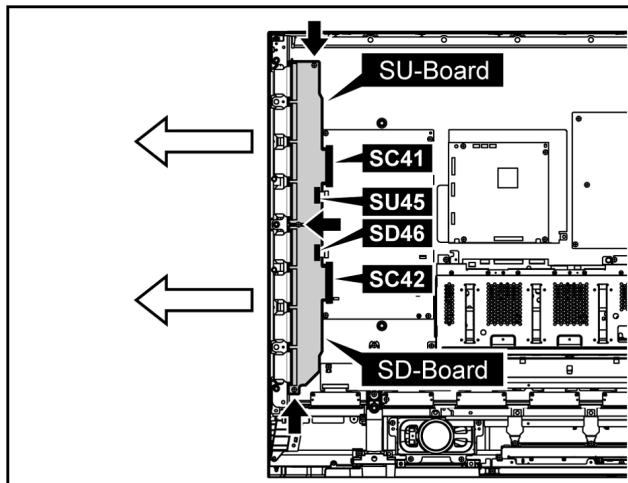


3. Disconnect the connectors(SU45, SD46).
4. Slide SU-Board and SD-Board to the left, remove SU-Board and SD-Board from the connectors(SC41, SC42).

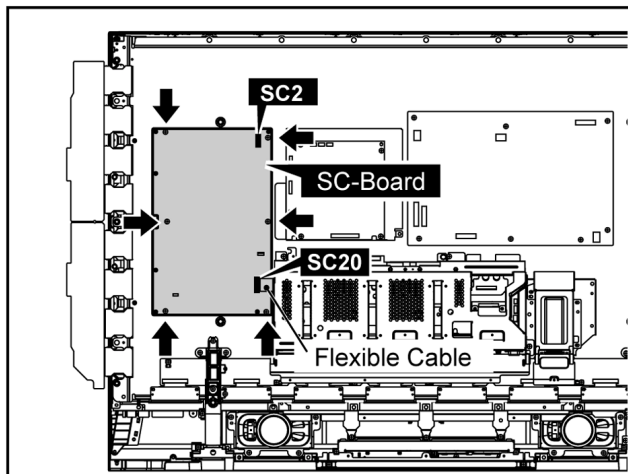


7.10. Removal of SC-Board

1. Disconnect the connectors(SU45, SD46).
2. Remove 3 screws (⬆) and then slide SU-Board and SD-Board to the left.

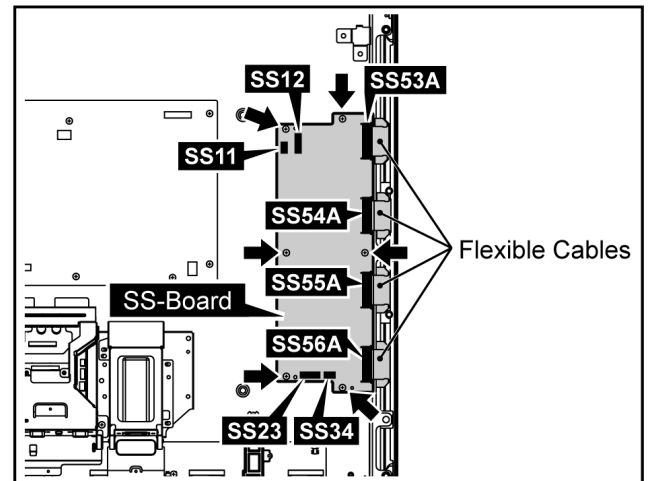


3. Disconnect the connectors(SC2, SC20).
4. Remove 6 screws and then remove SC-Board.



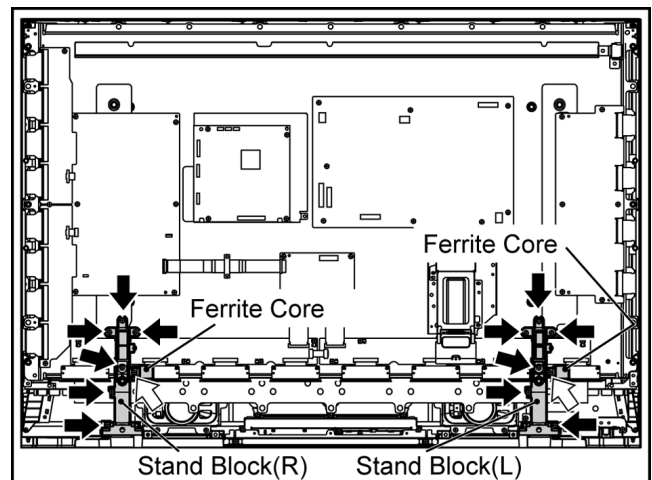
7.11. Removal of SS-Board

1. Disconnect the connectors(SS11, SS12, SS23, SS34).
2. Remove the Flexible Cables from the connectors(SS53A, SS54A, SS55A, SS56A)
3. Remove 6 screws and then remove SS-Board.



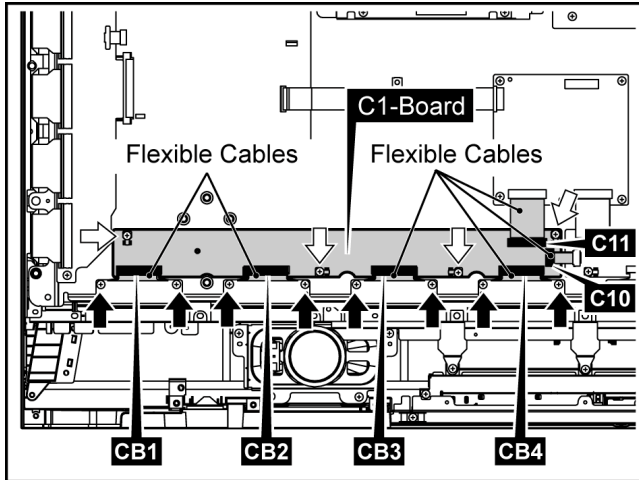
7.12. Removal of C1, C2-Board

1. Remove the Slot Block.
(Refer to Removal of Slot Block)
2. Remove 2 screws (⬆) and then remove the Ferrite Core from the Stand Block(L, R).
3. Remove 12 screws (⬆) and then remove the Stand Block(L, R).



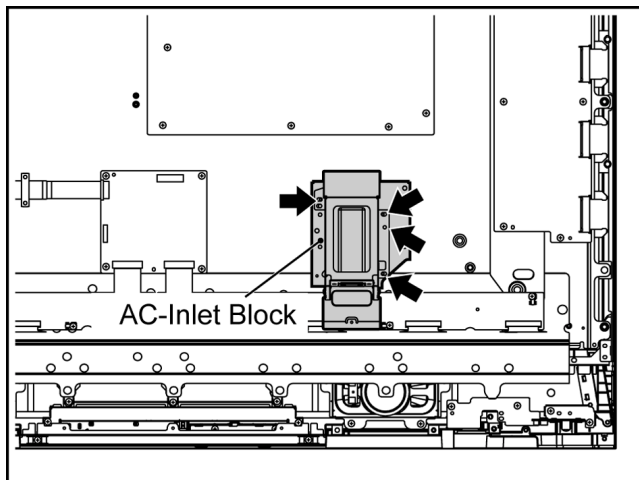
7.12.1. Removal of C1-Board

1. Remove the Flexible Cables from the connectors(C10, C11).
2. Remove 8 screws (▲) and then remove the Flexible Cables from the connectors(CB1, CB2, CB3, CB4).
3. Remove 4 screws (⇩) and then remove C1-Board.

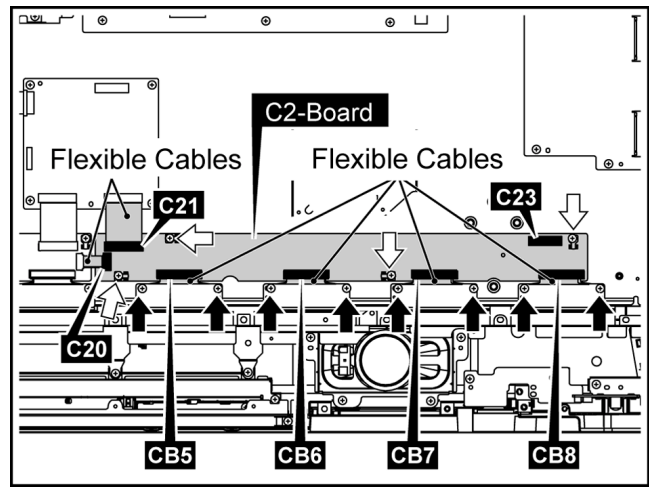


7.12.2. Removal of C2-Board

1. Remove 4 screws (▲) and then remove the AC-Inlet Block.

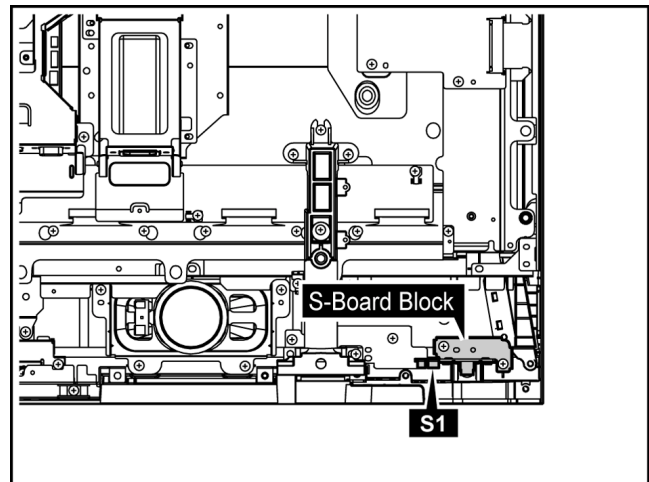


2. Remove the Flexible Cables from the connectors(C20 , C21, C23).
3. Remove 8 screws (▲) and then remove the Flexible Cables from the connectors(CB5, CB6, CB7, CB8).
4. Remove 4 screws (⇩) and then remove C2-Board.

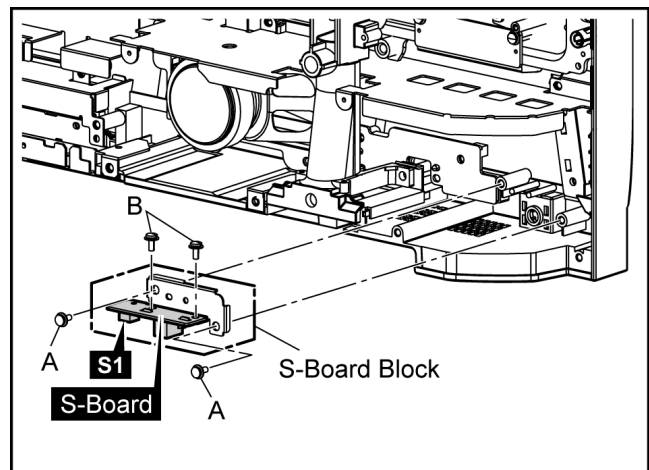


7.13. Removal of S-Board

1. Disconnect the connector(S1).

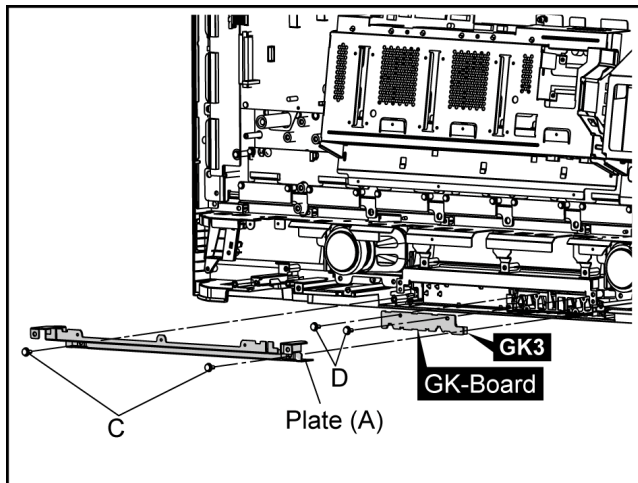


2. Remove 2 screws(A) and then remove S-Board Block.
3. Remove 2 screws(B) and then remove S-Board.



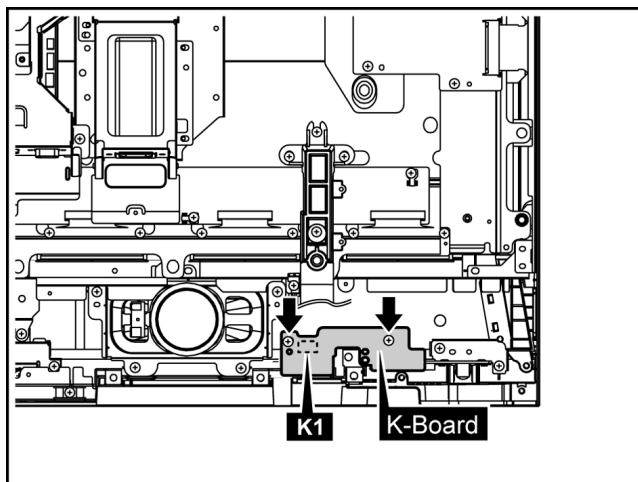
7.14. Removal of GK-Board

1. Remove 2 screws(C) and then remove the Plate(A).
2. Remove 2 screws(D).
3. Disconnect the connector(GK3) and then remove GK-Board.



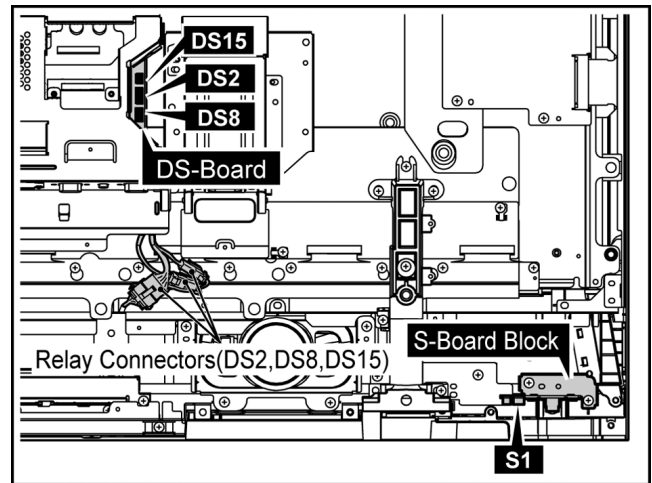
7.15. Removal of K-Board

1. Remove 2 screws.
2. Then remove K-Board and disconnect the connector(K1).

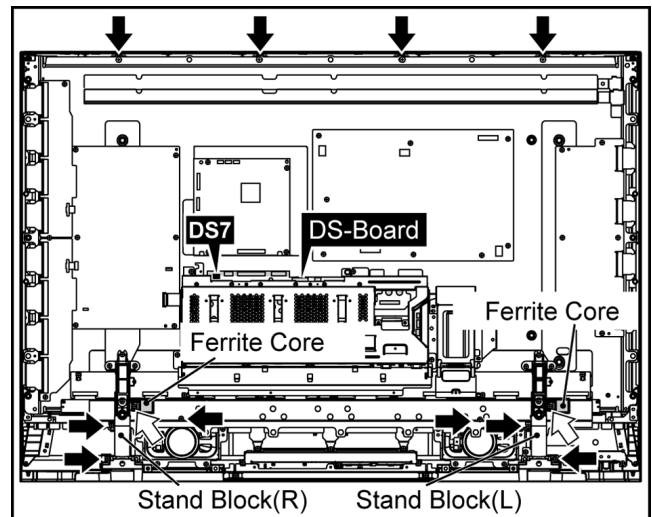


7.16. Removal of Escutcheon and the Front Glass

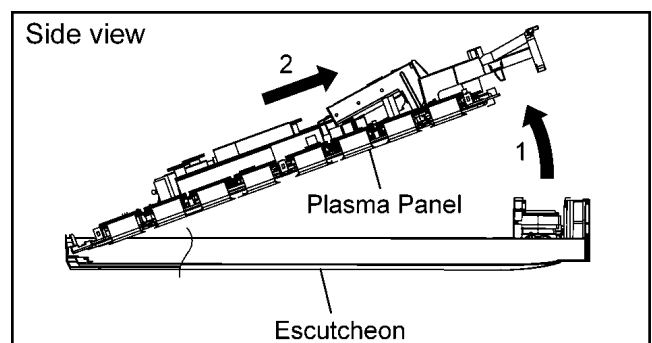
1. Disconnect the Relay connectors (DS2, DS8, DS15).
2. Disconnect the connector(S1).



3. Disconnect the connector(DS7).
4. Remove 2 screws (↑) and then remove the Ferrite core from the Stand Block(L, R).
5. Remove 10 screws (▲).



6. Lift up the bottom of Plasma Panel to the arrow1 direction.
7. Pull the Plasma Panel to the arrow2 direction and then remove the Plasma Panel.



8. Remove the S-Board Block.

(Refer to Removal of S-Board)

9. Remove K-Board.

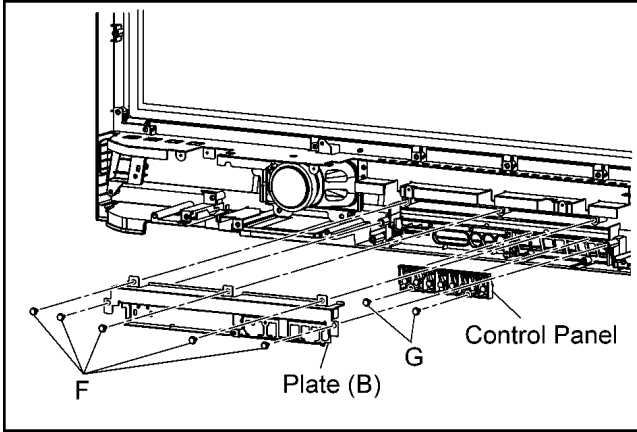
(Refer to Removal of K-Board)

10. Remove GK-Board.

(Refer to Removal of GK-Board)

11. Remove 5 screws(F) and then remove the Plate(B).

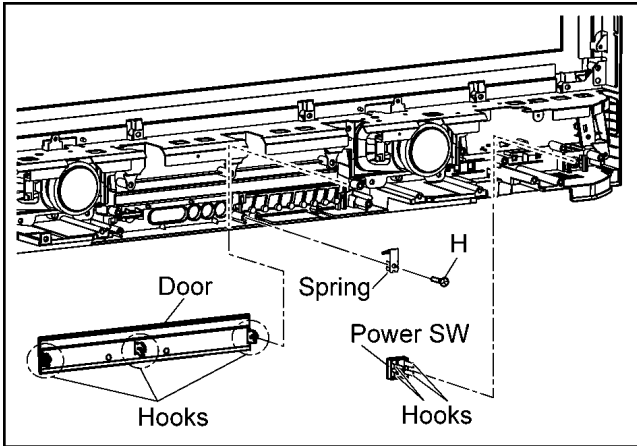
12. Remove 2 screws(G) and then remove the Control Panel.



13. Remove 1 screw(H) and then remove the Spring.

14. Remove 3 hooks and then remove the Door.

15. Remove 4 hooks and then remove the Power SW.



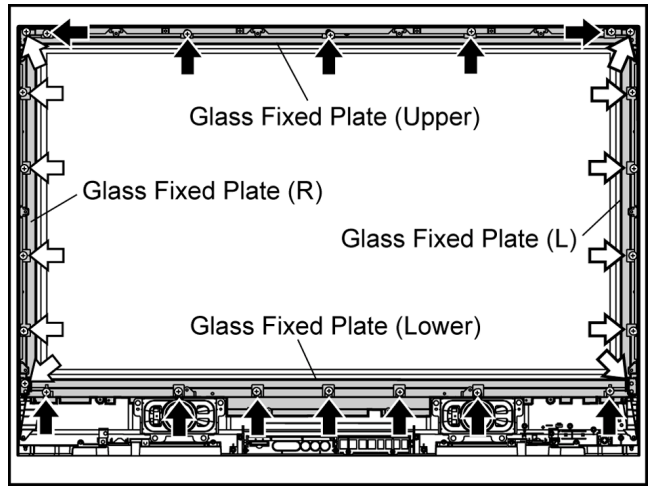
16. Remove screws and then remove the Glass Fixed Plate (L, R, Upper, Lower).

Removed number of screws:

12 screws (L, R) (⇩)

5 screws (Upper) (⇩)

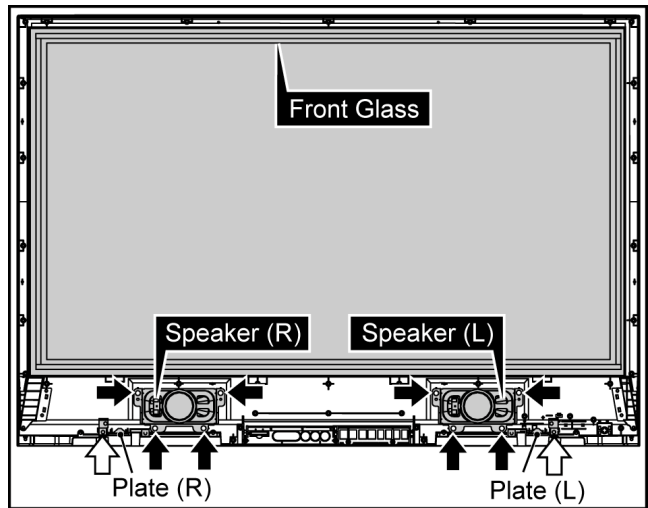
7 screws (Lower) (⇩)



17. Remove the Front Glass.

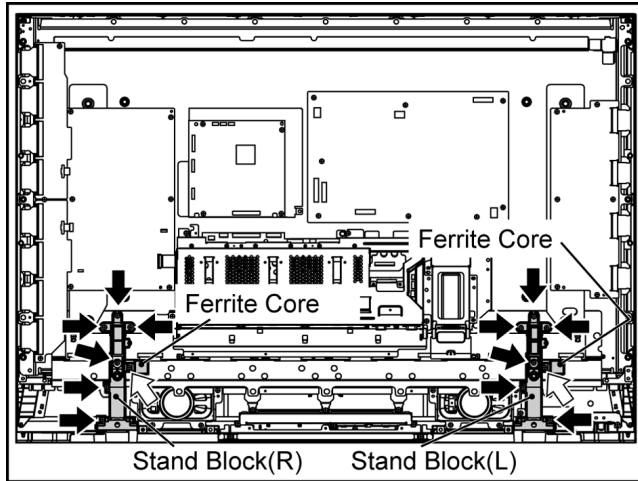
18. Remove 2 screws (⇩) and then remove the Plate(L, R).

19. Remove 8 screws (⇩) and then remove the Speaker (L, R).

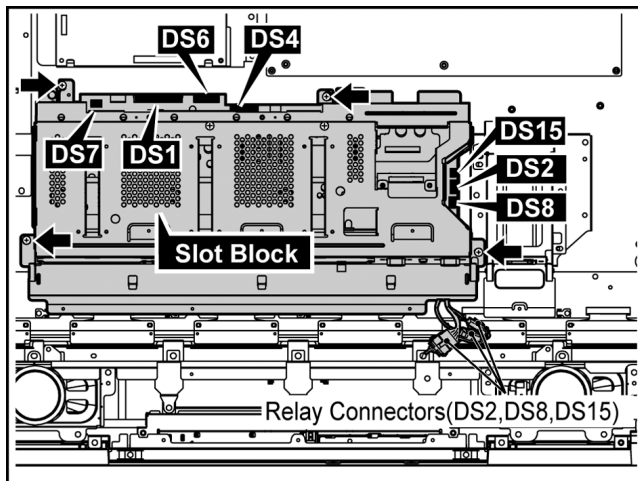


7.17. Removal of Plasma Panel

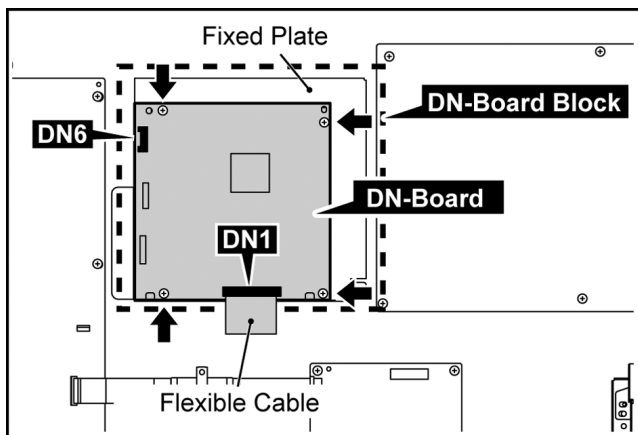
1. Remove 2 screws (⇩) and then remove the Ferrite Core from the Stand Block(L, R).
2. Remove 12 screws (⇩) and then remove the Stand Block(L, R).



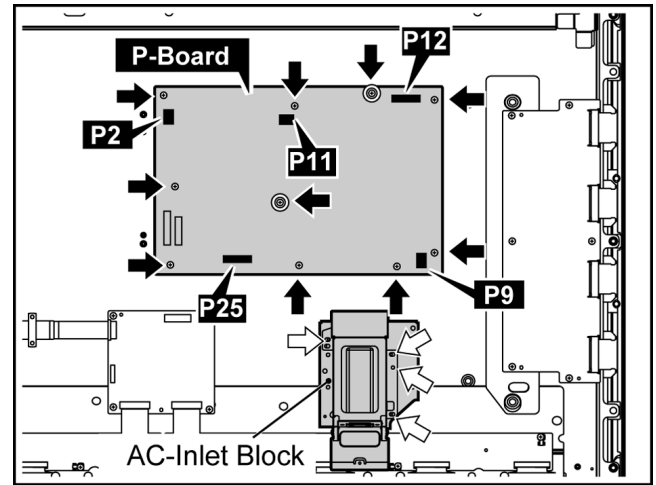
3. Disconnect the connectors(DS1, DS4, DS6, DS7).
4. Remove 4 screws and then remove the Slot Block.
5. Disconnect the connectors(DS2, DS8, DS15).



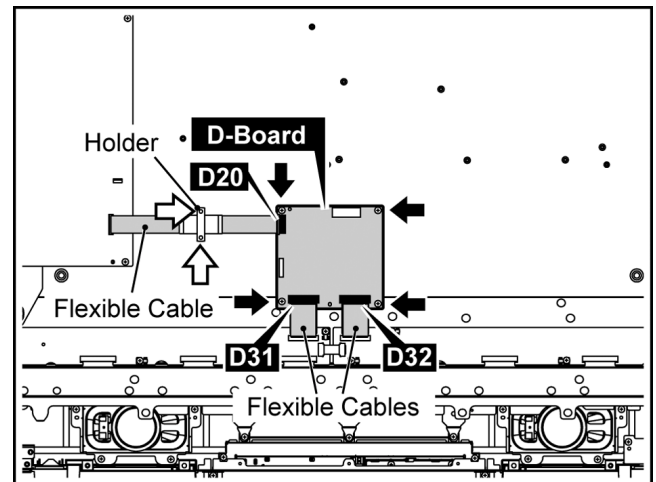
6. Disconnect the connector(DN6).
7. Remove the Flexible Cable from the connector(DN1).
8. Remove 4 screws and then remove the DN-Board Block.



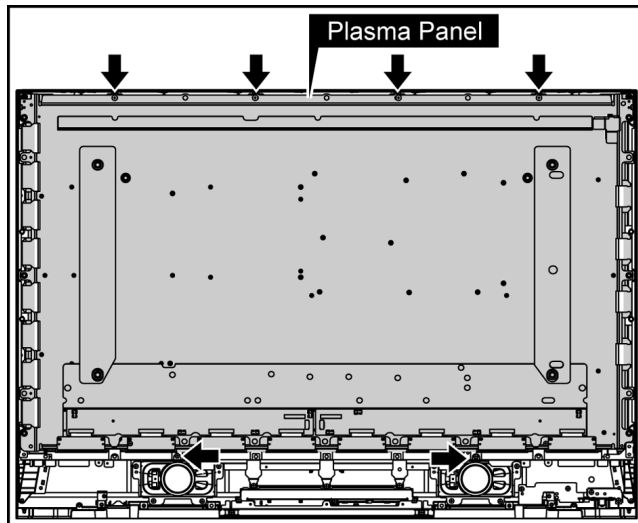
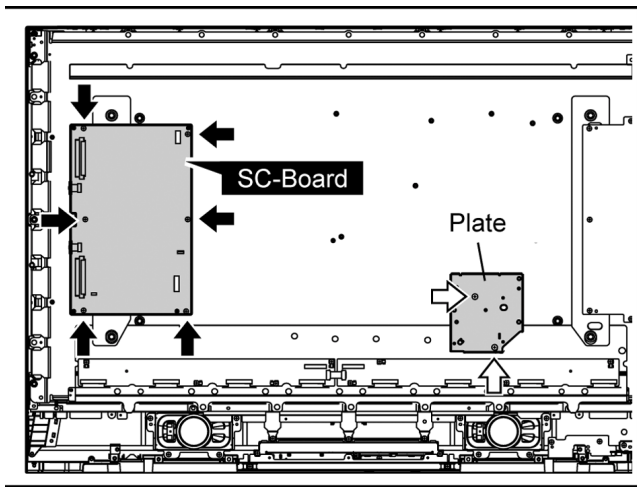
9. Disconnect the connectors(P2, P9, P11, P12, P25).
10. Remove 10 screws (⇩) and then remove P-Board.
11. Remove 4 screws (⇩) and then remove the AC-Inlet Block.



12. Disconnect the connector(D20).
13. Remove the Flexible Cables from the connectors(D31, D32).
14. Remove 4 screws and then remove D-Board.
15. Remove 2 screws (⇩) and then remove the Holder.

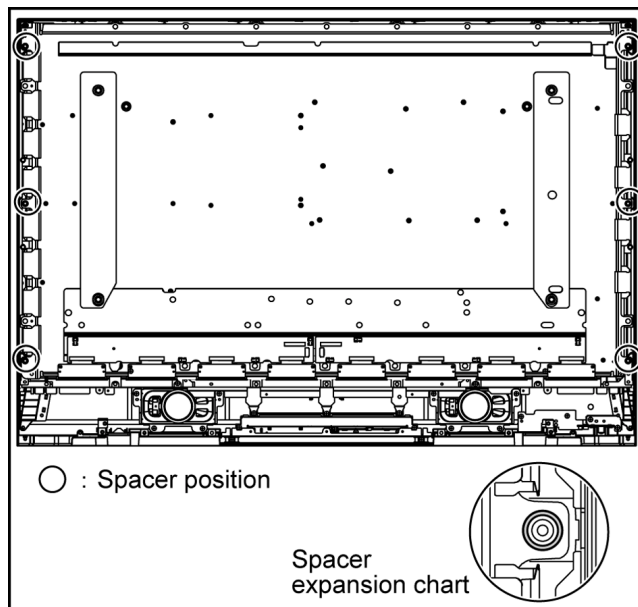
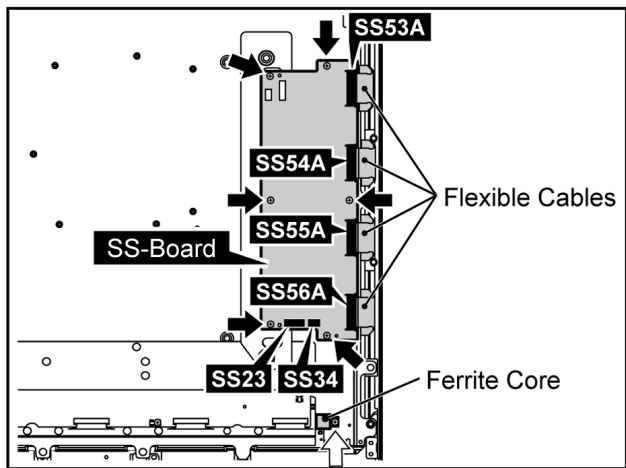


16. Remove SU-Board and SD-Board.
(Refer to Removal of SU-Board and SD-Board)
17. Remove 6 screws (⇩) and then remove SC-Board.
18. Remove 2 screws (⇩) and then remove the Plate.



19. Disconnect the connectors(SS23, SS34).
20. Remove the Flexible Cables from the connectors(SS53A, SS54A, SS55A, SS56A).
21. Remove 6 screws (↑) and then remove SS-Board.
22. Remove 1 screw (⇧) and then remove the Ferrite Core.

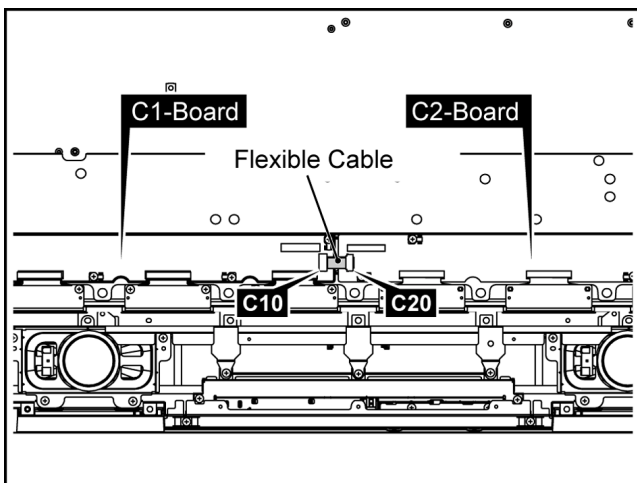
25. Remove the 6 Spacers and Spacer Rings from the Plasma Panel.



23. Remove the Flexible Cable from the connectors(C10, C20).

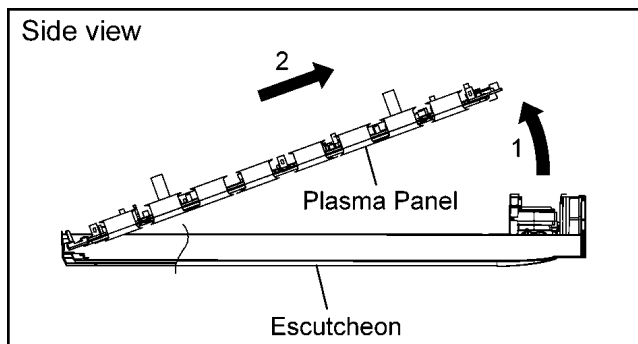
Caution:

- Please confirm the installation place of Spacer and Spacer Ring when you exchange the Plasma Panel, and install Spacer and Spacer Ring in an original installation place after exchanging the Plasma Panel.



26. Lift up the bottom of Plasma Panel to the arrow1 direction.
27. Pull the Plasma Panel to the arrow2 direction and then remove the Plasma Panel.

24. Remove 6 screws (↑).



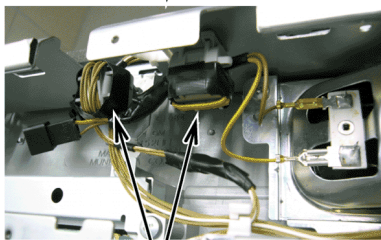
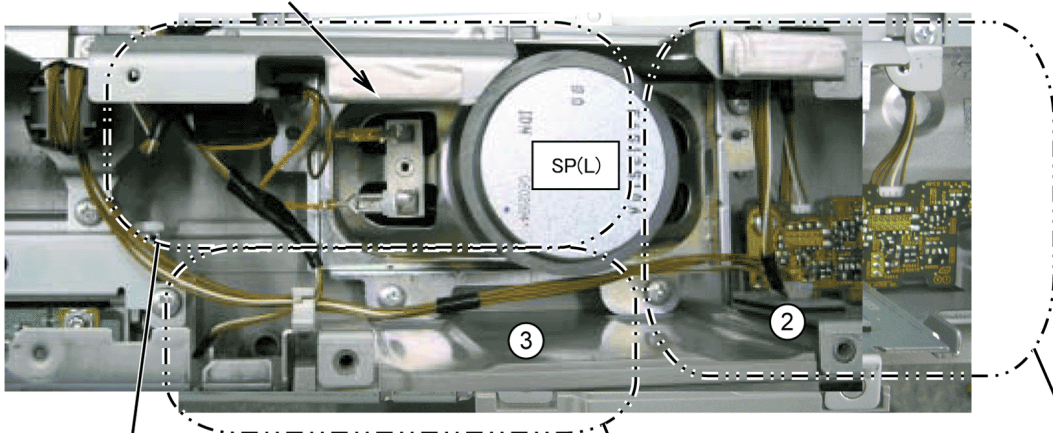
8 Location of Lead Wiring

8.1. Wiring for the 37 inch model

8.1.1. Lead Wiring (1)

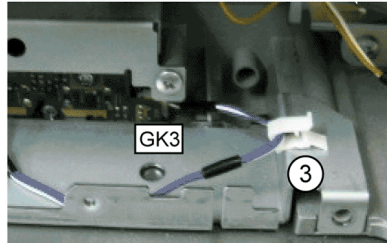
The lead wiring is dressed as shown in figure.

Glass Suppression Metal Fittings (Bottom)

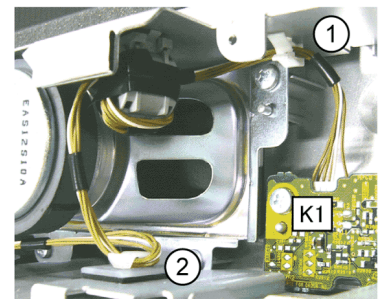


Ferrite core

Processing of GK3-RELAY



Processing of K1-RELAY



Clamp position

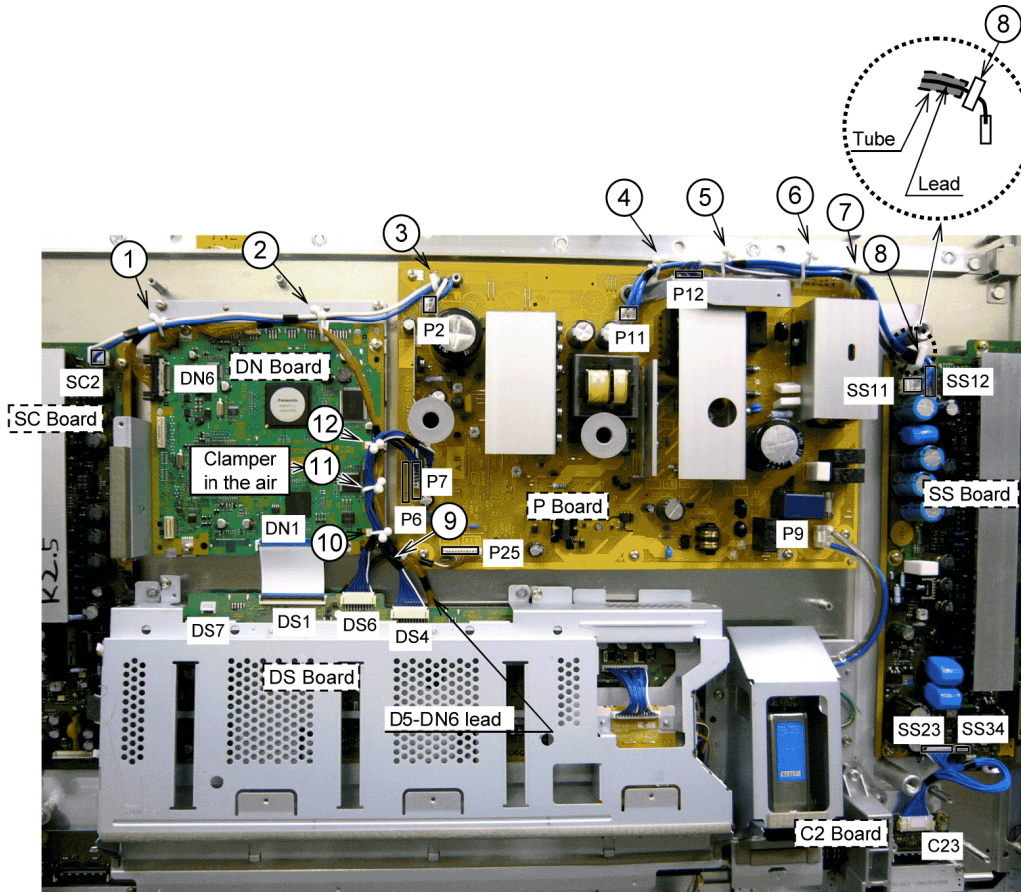
Connector No.	①	②	③
GK3 - RELAY			○
K1 - RELAY	○	○	Ⅱ

Ⅱ It is passing which passes clumper to two degrees.



8.1.2. Lead wiring (2)

The lead wiring is dressed as shown in figure.



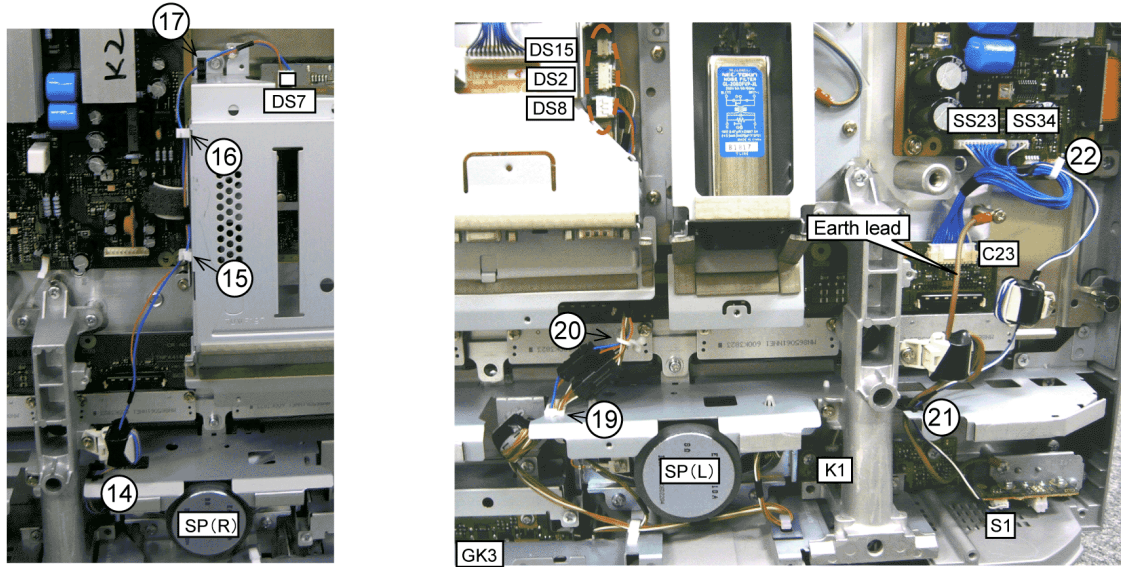
Clamp position

CON:No - CON:No	①	②	③	④	⑤	⑥	⑦	⑧	⑨	⑩	⑪	⑫
D5 - DN6	②	○							○	○	○	○
D25 - P25									○			
SC2 - P2	○	○	○									○
P11 - SS11				○	○	○	○	○				
P12 - SS12					○	○	○	○				
DS4 - P7										○	○	○
DS6 - P6										○	○	○

Note: ② The lead is doubly processed.

8.1.3. Lead wiring (3)

The lead wiring is dressed as shown in figure.



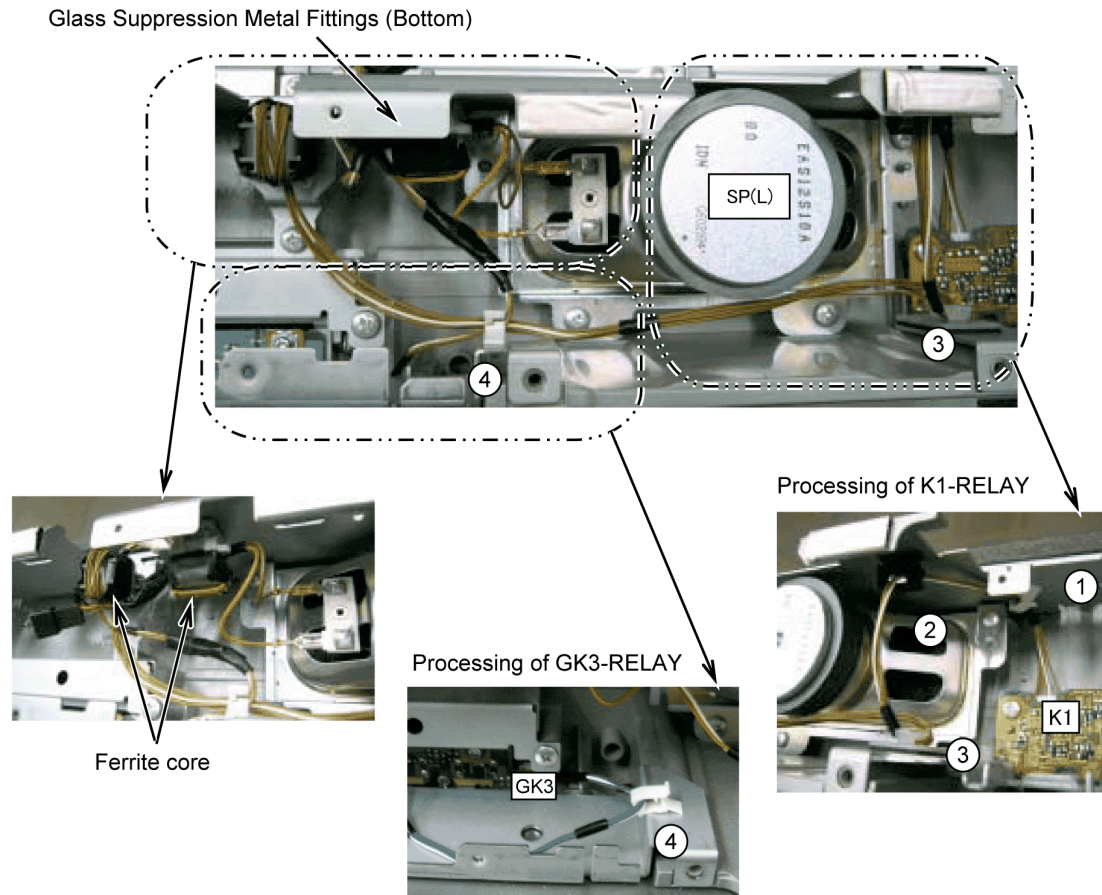
Clamp position

CON:No - CON:No	(14)	(15)	(16)	(17)	(19)	(20)	(21)	(22)
SP(R) - DS7	○	○	○	○				
SP(L)-RELAY - DS8 · RELAY					○	○		
SS23 - C23								○
Earth lead							○	
S1 - SS34							○	○
K1 · RELAY - DS2 · RELAY					○	○		
GK3 · RELAY - DS15 · RELAY					○	○		

8.2. Wiring for the 42 inch model

8.2.1. Lead Wiring (1)

The lead wiring is dressed as shown in figure.



Clamp position

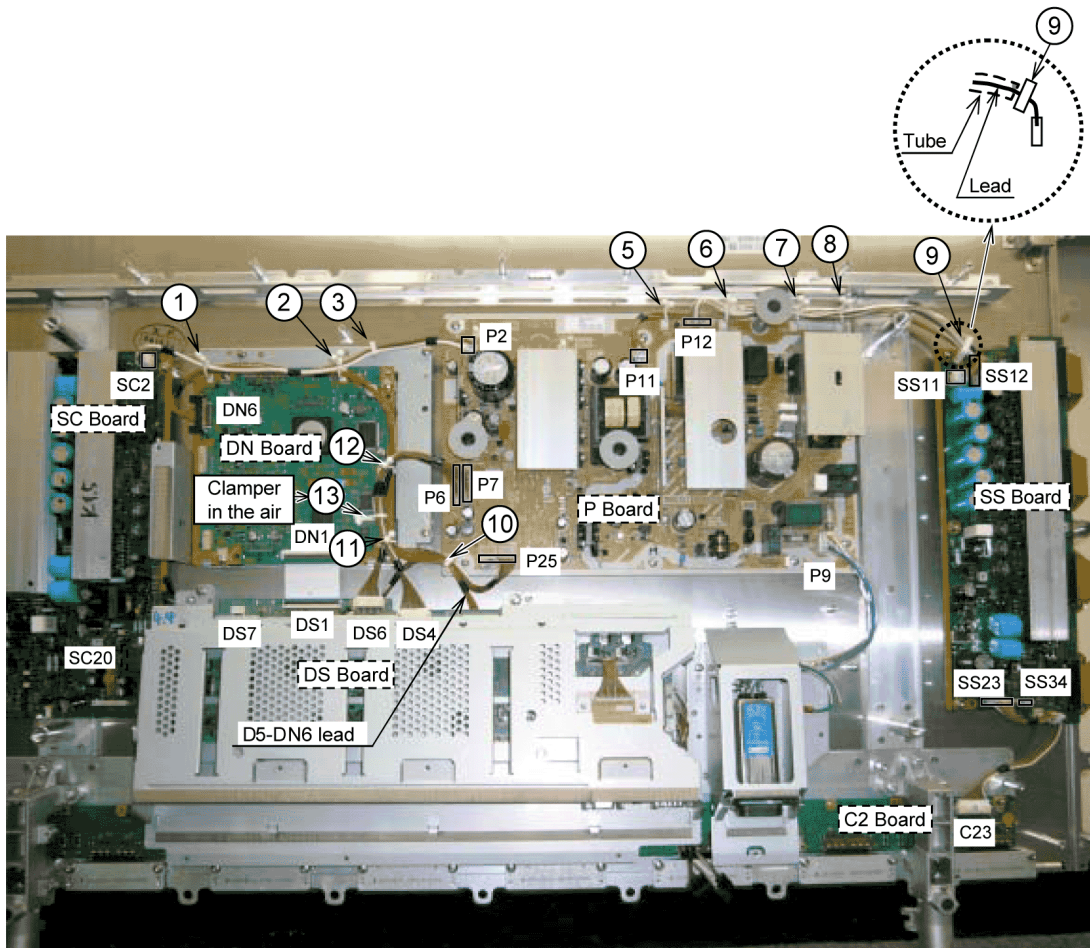
Connector No.	①	②	③	④
GK3 - RELAY				○
K1 - RELAY	○	○	○	Ⓜ

Ⓜ It is passing which passes clamper to two degrees.



8.2.2. Lead wiring (2)

The lead wiring is dressed as shown in figure.

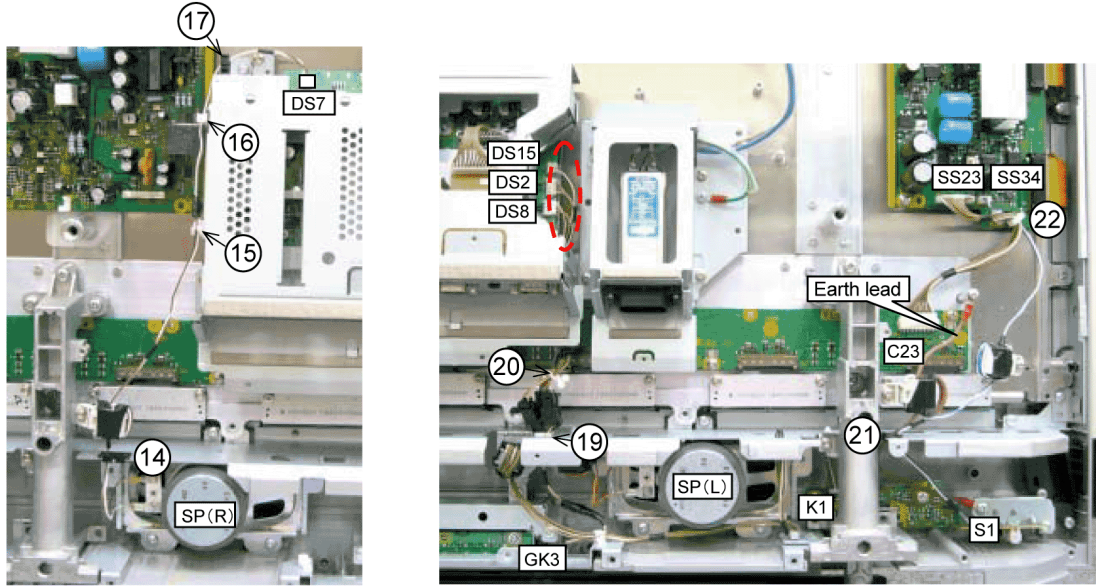


Clamp position

CON:No - CON:No	①	②	③	④	⑤	⑥	⑦	⑧	⑨	⑩	⑪	⑫	⑬
D5 - DN6	○	○								○	○	○	○
D25 - P25										○			
SC2 - P2	○	○	○										○
P11 - SS11					○	○	○	○	○				
P12 - SS12						○	○	○	○				
DS4 - P7											○	○	○
DS6 - P6											○	○	○

8.2.3. Lead wiring (3)

The lead wiring is dressed as shown in figure.



Clamp position

CON:No - CON:No	(14)	(15)	(16)	(17)	(19)	(20)	(21)	(22)
SP(R) - DS7	○	○	○	○				
SP(L)-RELAY - DS8 · RELAY					○	○		
SS23 - C23								○
Earth lead							○	
S1 - SS34							○	○
K1 · RELAY - DS2 · RELAY					○	○		
GK3 · RELAY - DS15 · RELAY					○	○		

9 Adjustment Procedure

9.1. Driver Set-up

9.1.1. Item / Preparation

1. Set Aging pattern: 0 (Vset adjustment pattern) by IIC mode.

2. Set the picture controls as follows.

Picture menu: Standard

Picture: +25

Aspect: Full

Caution

1. First perform Vsus adjustment.
2. Confirmation of Vscn voltage should be performed after confirmation of Vad adjustment.

When Vad=-105V, Voltage of Vscn is 40V \pm 4V.

9.1.2. Adjustments

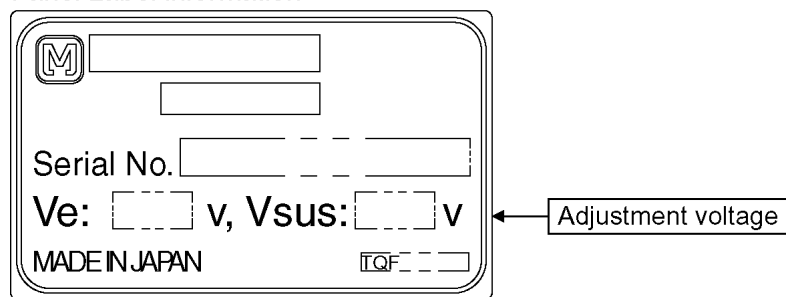
Adjust driver section voltages. (Refer to the panel data on the panel data label.)

Check or adjust the following voltages with the multimeter.

Name	Test Point	Voltage	Volume	Remarks
Vsus	TPVSUS (SS)	Vsus \pm 2V	R628 (P)	*
Ve	TPVE (SS)	Ve \pm 1V	VR6000 (SS)	*
Vset	TPVSET (SC)	330V \pm 7V	Fixed	
Vad	TPVAD (SC)	-105V \pm 1V	VR6600 (SC)	
Vscn	TPVSCN (SC)	Vad+145V \pm 4V	Fixed	
Vda	TPVDA (SS)	75V + 1V, -2V	Fixed	
PFC	C446 (+)(-)	396V \pm 0.5V	R443 (P)	

*See the Panel label.

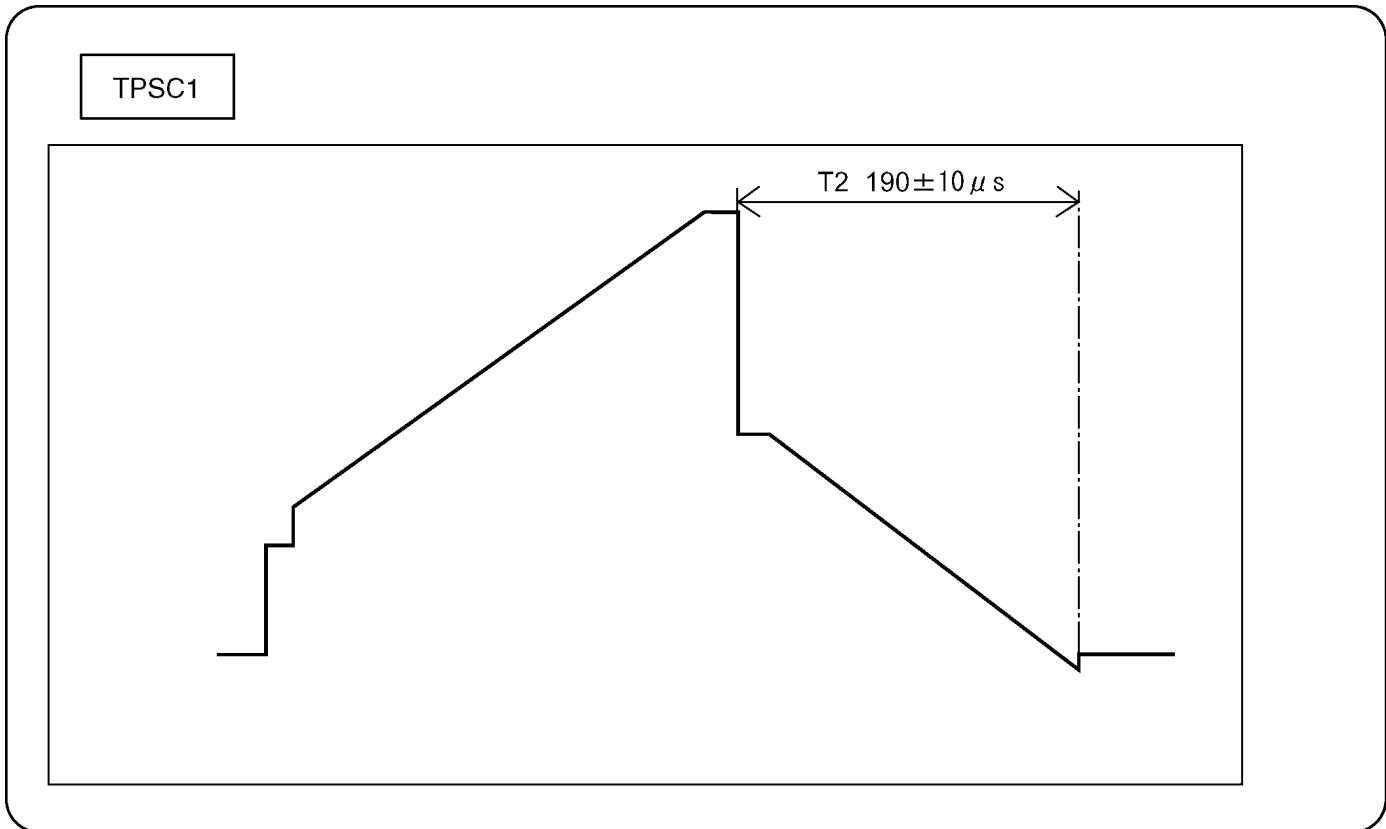
Panel Label information



9.2. Initialization Pulse Adjust

1. Set Aging pattern: 0 (Vset adjustment pattern) by IIC mode.
2. Set the picture controls as follows.
Picture menu: Standard
Picture: +25
Aspect: Full
3. Connect Oscilloscope to TPSC1 (T2) and adjust VR6602 for $190 \pm 10 \mu\text{Sec}$.

	Test point	Volume	Level
T2	TPSC1 (SC)	VR6602 (SC)	$190 \pm 10 \mu\text{Sec}$.



9.3. P.C.B. (Printed Circuit Board) exchange

9.3.1. Caution

1. To remove P.C.B., wait 1 minute after power was off for discharge from electrolysis capacitors.

9.3.2. Quick adjustment after P.C.B. exchange

Adjust the following voltages with the multimeter.

P.C.B.	Name	Test Point	Voltage	Volume	Remarks
P Board	Vsus	TPVSUS (SS)	$V_{\text{sus}} \pm 2\text{V}$	R628 (P)	*
	PFC	C446 (+) (-) (P)	$396\text{V} \pm 0.5\text{V}$	R443 (P)	
SC Board	Vad	TPVAD (SC)	$-105\text{V} \pm 1\text{V}$	VR6600 (SC)	
SS Board	Ve	TPVE (SS)	$V_e \pm 1\text{V}$	VR6000 (SS)	*
D, DS, DN Board	White balance, Pedestal and Sub brightness for NTSC, PAL, HD, PC and 625i signals				
DN Board	Set Market Select Number to correct destination by MS mode. (See chap. 10.1.4)				

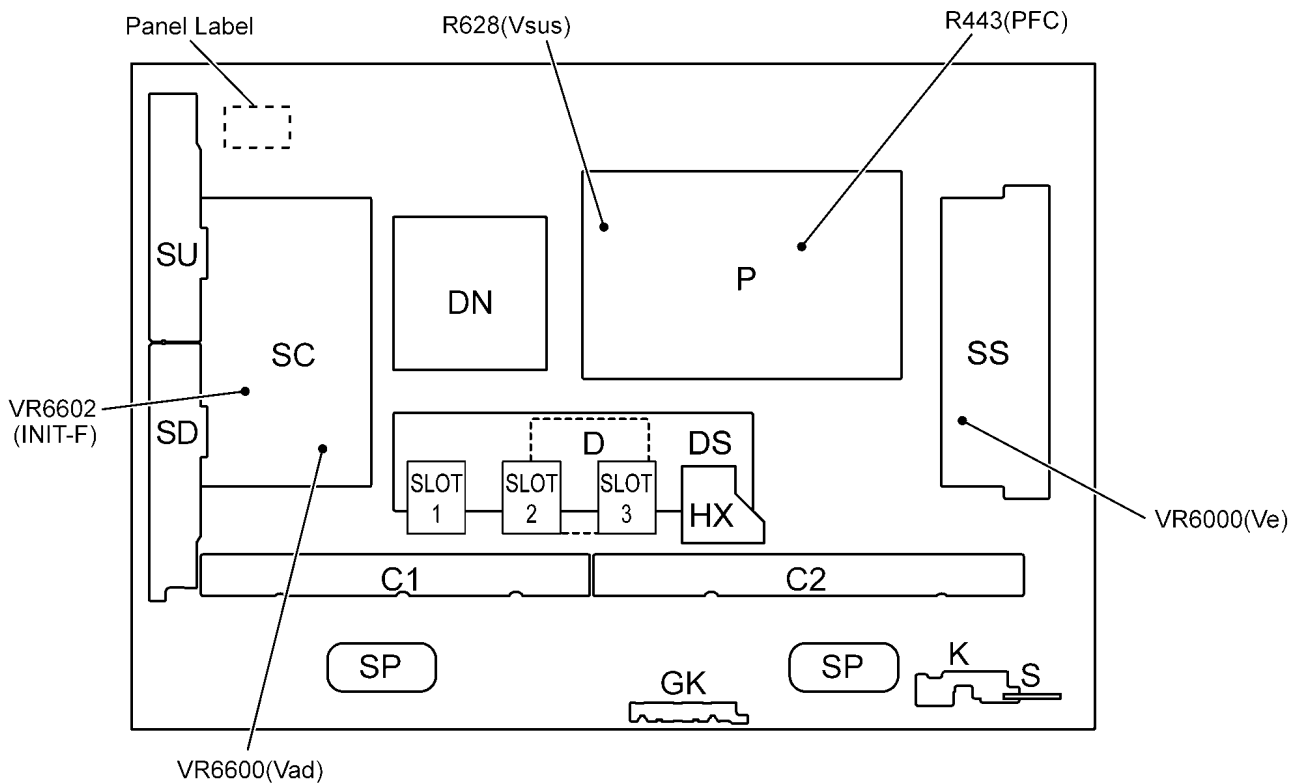
*See the Panel label.

Caution:

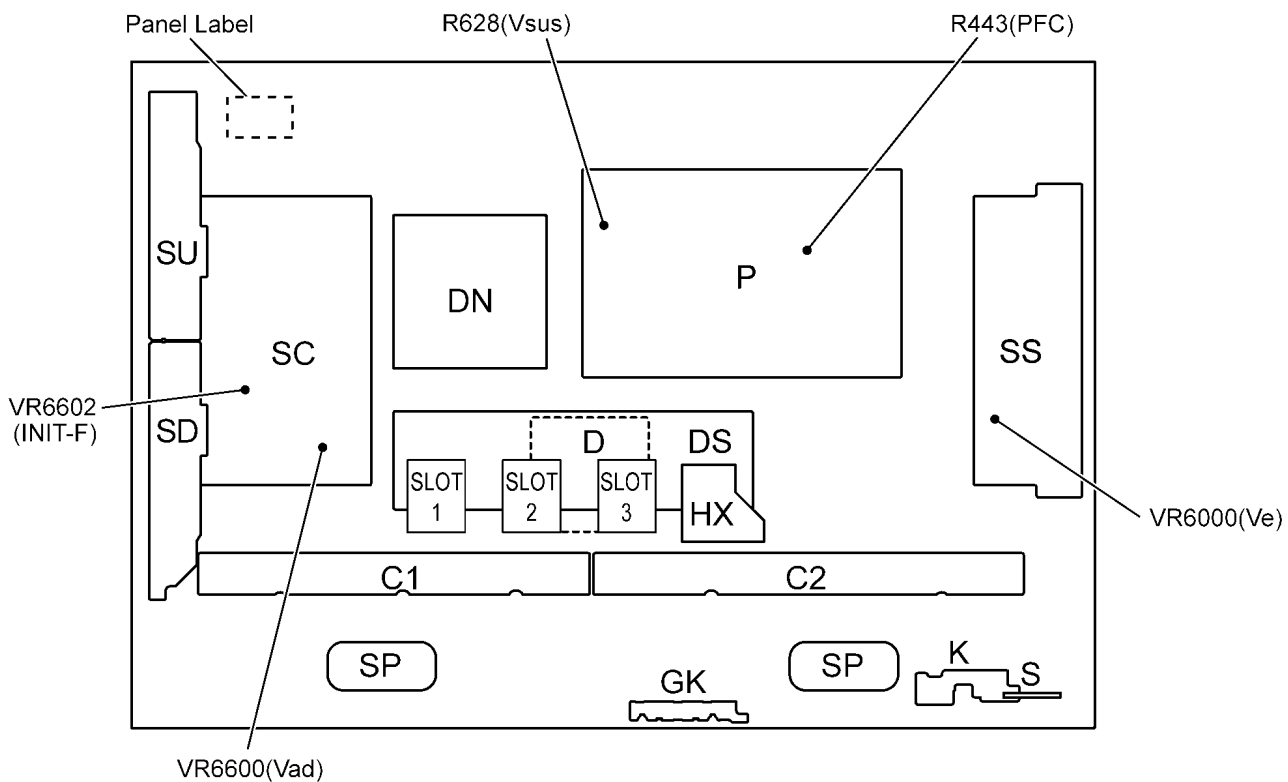
Absolutely do not reduce Vsus voltage below Ve not to damage the P.C.B.

9.4. Adjustment Volume Location

9.4.1. TH-37PR10U

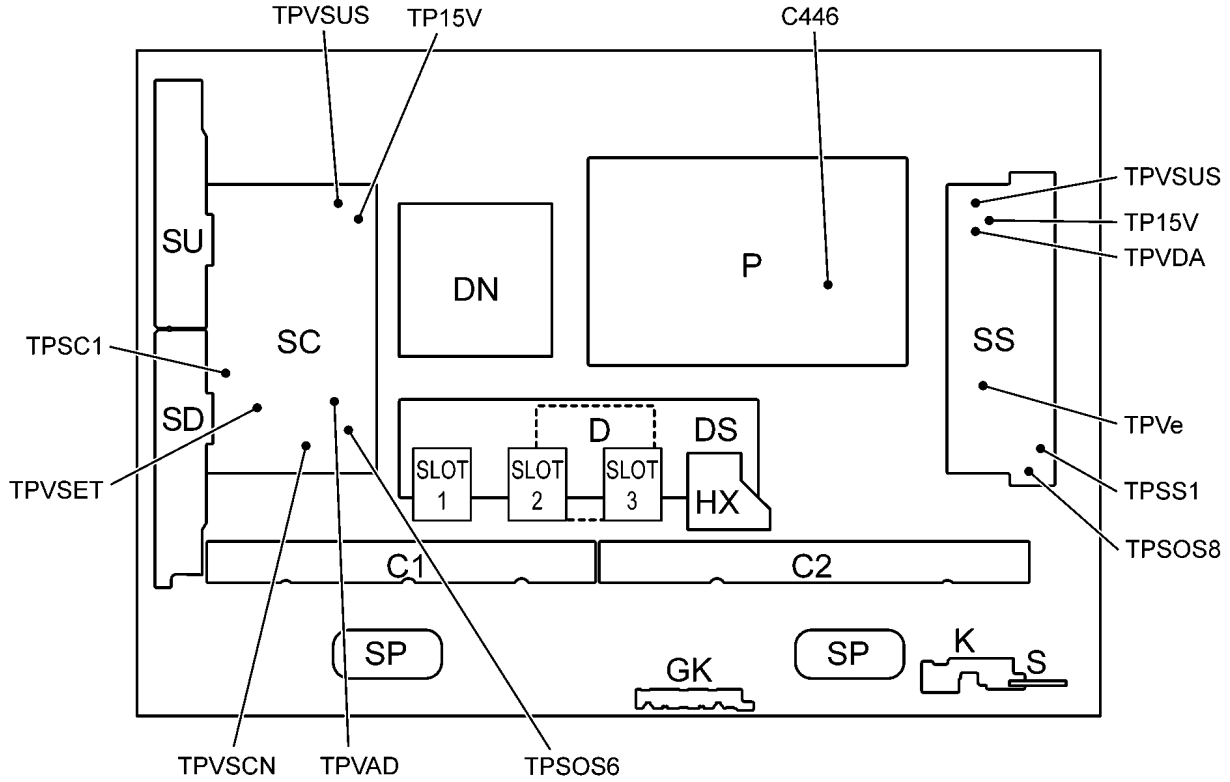


9.4.2. TH-42PR10U

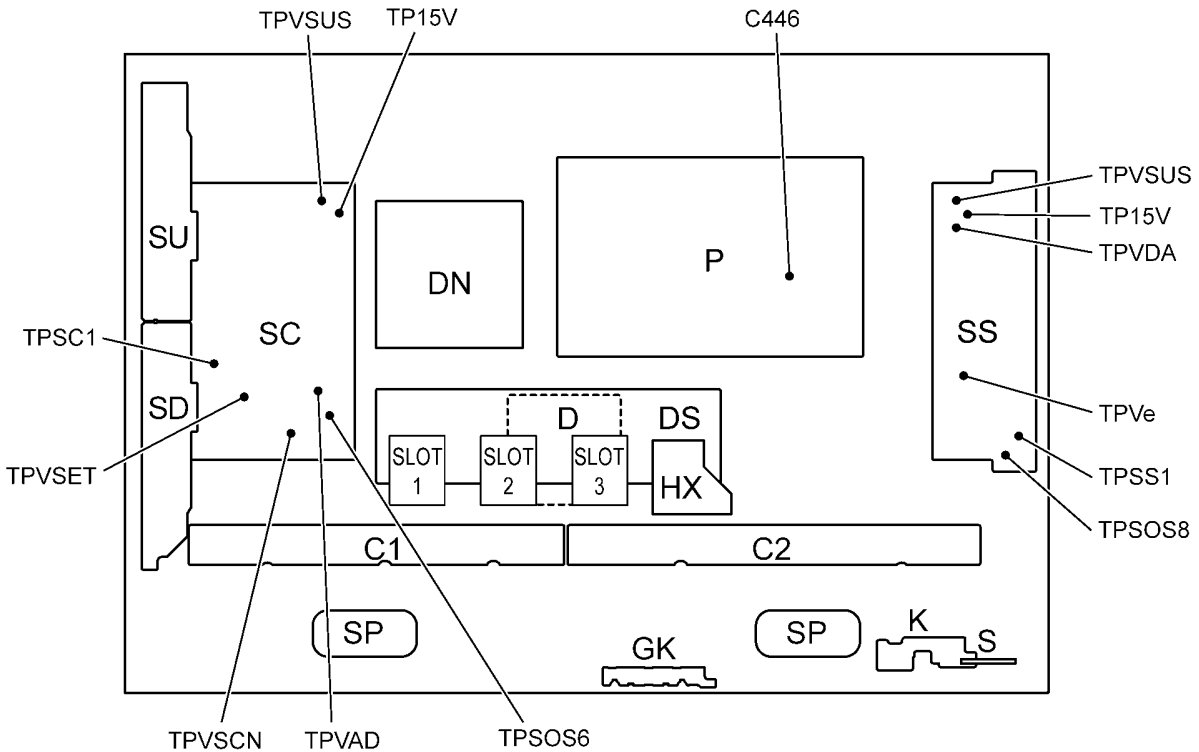


9.5. Test Point Location

9.5.1. TH-37PR10U



9.5.2. TH-42PR10U



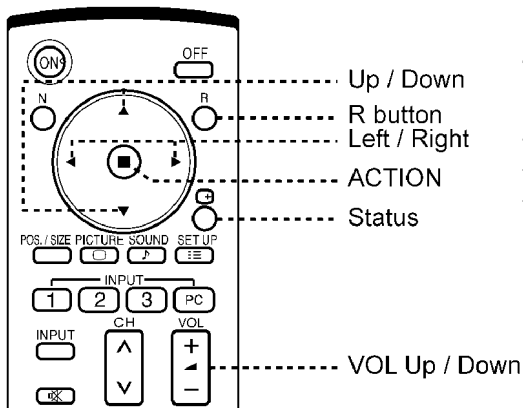
10 Service mode

10.1. CAT (computer Aided Test) mode

CAT mode menu

Mode	Function	Access button
IIC Mode	Service Alignment	Action
CD Mode	Software version information EEPROM edit	Mute more than 3 seconds
SD Mode	MTBF parameter	Action
MS Mode	Market Select	Mute more than 3 seconds
ID Mode	LSI Check	Mute more than 3 seconds

Remote control



How to access the CAT mode.

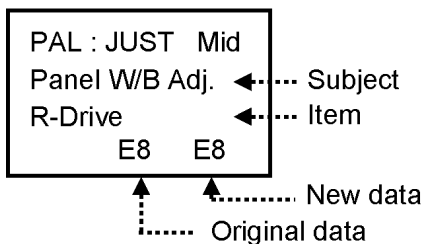
Press and the hold the **Volume down / - button** on the Side of the unit and press the **status button** on the remote control 3 times quickly within 2 seconds, this will place the unit into the CAT mode.

To exit the **CAT mode**, access the **ID mode** and switch off the main power.

10.1.1. IIC mode

Select the IIC mode by **Up/Down button** on the remote control at the front page of CAT mode and then press the **Action button** on the remote control.

OSD



How to use the IIC mode.

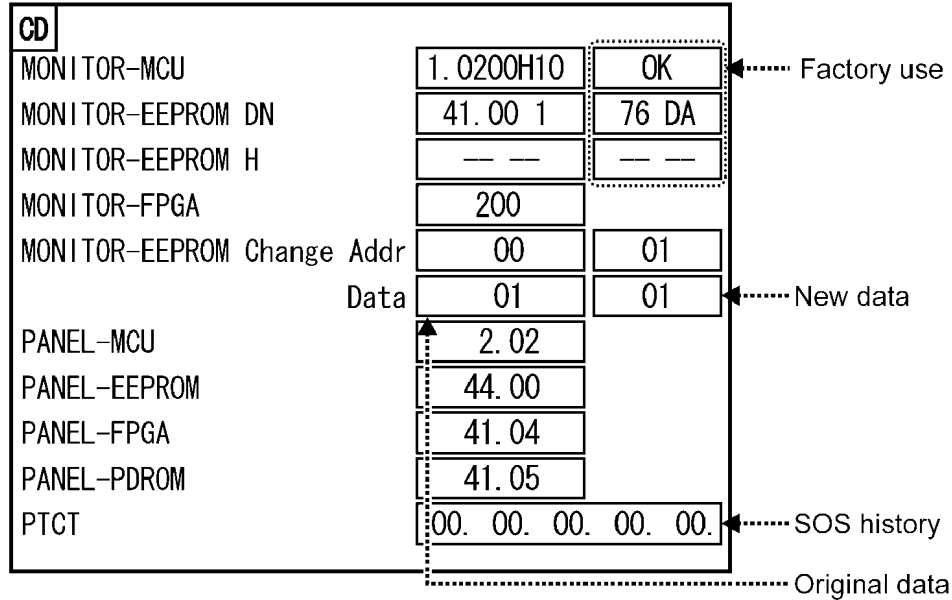
1. Select the alignment **Subject** by **Up/Down buttons** on the remote control.
2. Select the alignment **Item** by **Left/Right buttons** on the remote control.
3. Adjust **optimum setting** by **Volume Up/Down buttons** on the remote control.
4. The **data is memorized** when press the **R button** on the remote control or change the alignment Subject (or Items).

Subject and item are mentioned on "IIC mode structure".

To exit the IIC mode, press the **R button** on the remote control.

10.1.2. CD mode

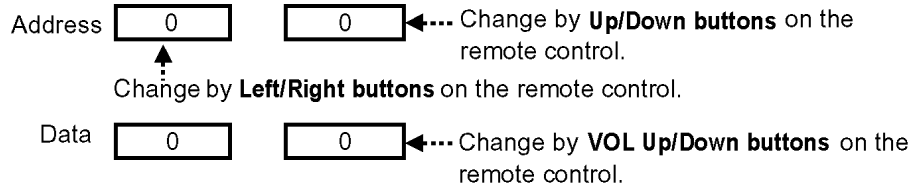
Select the CD mode by **Up/Down button** on the remote control at the front page of CAT mode and then press the **Mute button** on the remote control more than 3 seconds.



Microcomputer software version (IC4702), this version can be upgrade by

1. replace of new version IC
2. Loading the new version software from loader tool, TZSC07036.

Memory data change



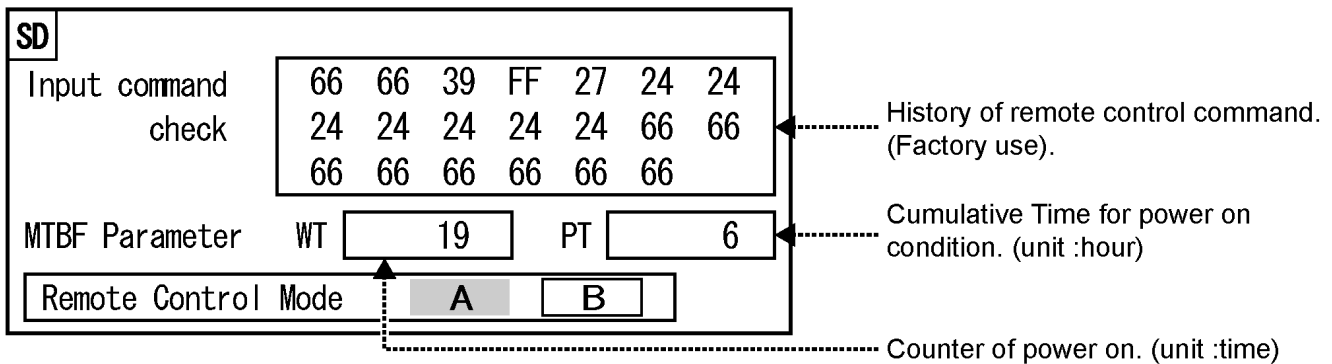
The data is memorized when switch off the main power.

To exit the CD mode, press the **R button** on the remote control.

10.1.3. SD mode

Select the SD mode by **Up/Down button** on the remote control at the front page of CAT mode and then press the **Action button** on the remote control.

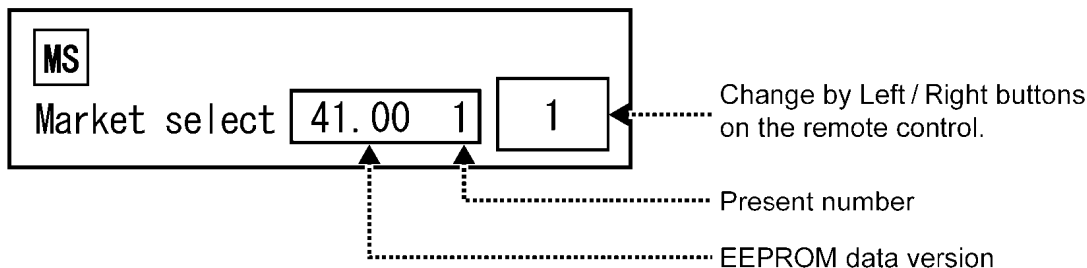
OSD



To exit the SD mode, press the **R button** on the remote control.

10.1.4. MS mode

Select the MS mode by **Up/Down button** on the remote control at the front page of CAT mode and then press the **Mute button** on the remote control more than 3 seconds.



To exit the MS mode, press the **R button** on the remote control.

Caution:

Market Select should be set after exchange of DN-Board.

Destination number

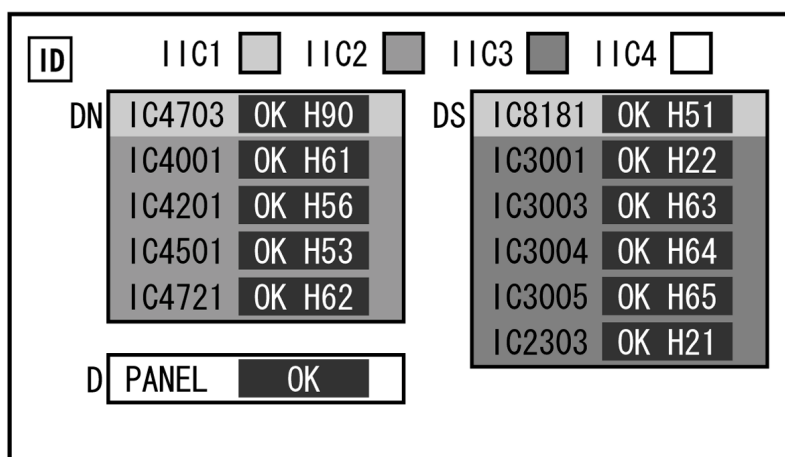
Number	Destination	Number	Destination	Number	Destination
0	Japan	11	--	22	Hong Kong
1	North America	12	Britain (Hotel)	23	--
2	Europe	13	--	24	--
3	Others	14	Thailand (Hotel)	25	--
4	Britain	15	--	26	--
5	Taiwan	16	--	27	--
6	Thailand	17	--	28	Middle East / Hong Kong
7	--	18	China	29	Middle East / Hong Kong (Hotel)
8	Japan (Hotel)	19	China (Hotel)	30	Australia
9	North America (Hotel)	20	Russia	31	Australia (Hotel)
10	Europe (Hotel)	21	Russia(Hotel)		

Default setting

Number	Destination
1	North America

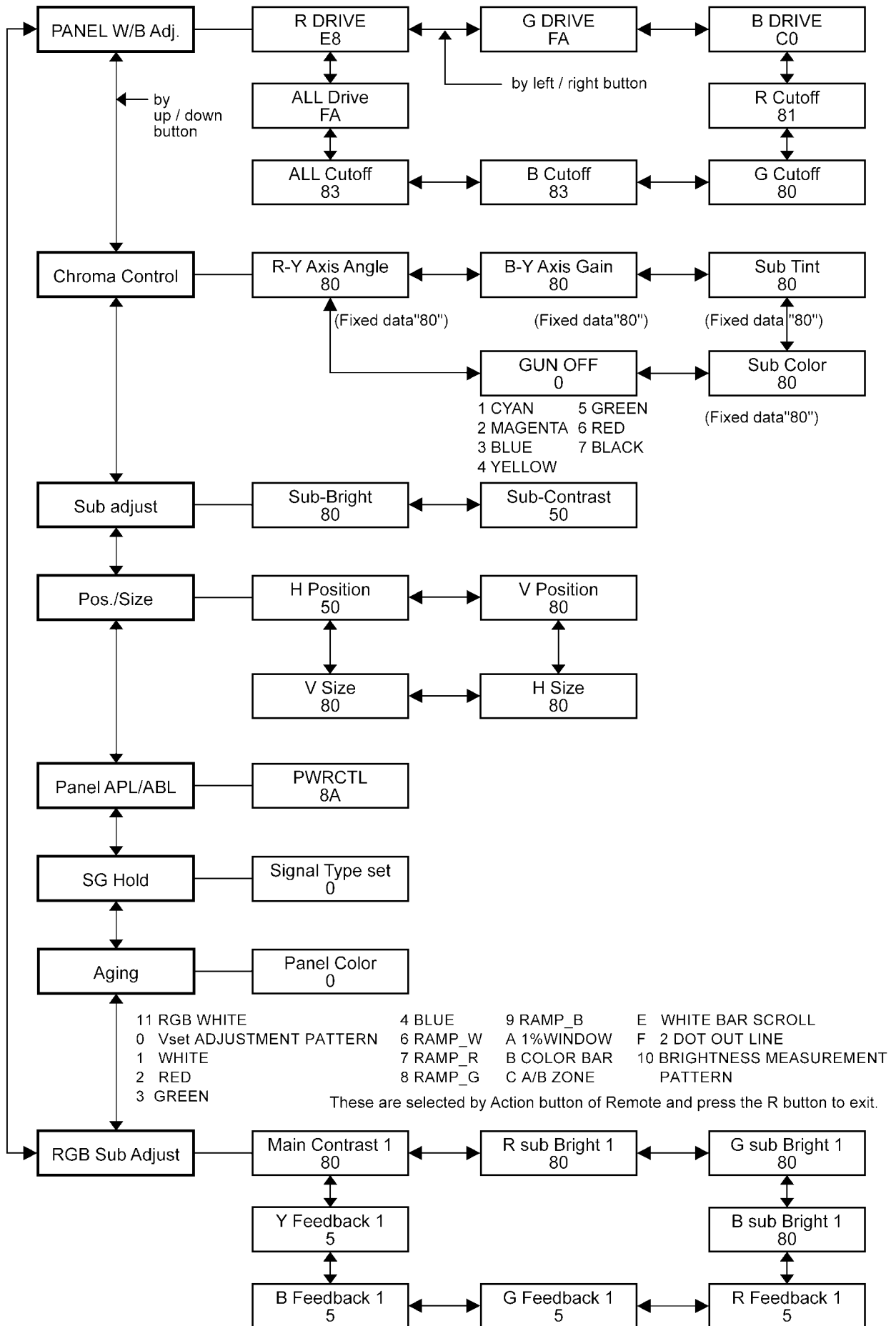
10.1.5. ID mode

Select the ID mode by **Up/Down button** on the remote control at the front page of CAT mode and then press the **Mute button** on the remote control more than 3 seconds.



To exit the ID mode, press the **R button** on the remote control.

10.2. IIC mode structure (following items value is sample data.)



11 Adjustment

11.1. RGB white balance adjustment

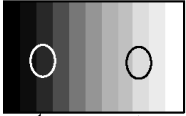
Instrument Name	Connection	Remarks												
<ul style="list-style-type: none"> · RGB VGA W/B pattern · Color analyzer (Minolta CA-100 or equivalent) 	PC input Panel surface	User setting: Normal (Picture menu: Standard)												
Procedure		Remarks												
<ul style="list-style-type: none"> · Ensure aging is adequate. · Make sure the front panel to be used on the final set is fitted. · Make sure a color signal is not being shown before adjustment. · Put the color analyzer where there is little color variation. <ol style="list-style-type: none"> 1. Set COMPONENT/RGB-IN SELECT to RGB. 2. Select the IIC mode "PANEL W/B Adj." item. 3. Check that the color temperature is "COOL (High)". 4. Output a white balance pattern. 5. Touch the signal receiver of color analyzer to the highlight window's center. 6. Fix G drive at E0h and adjust B drive and R drive so x, y become the "Color temperature High" in the below table. 7. Increase R/G/B together so the maximum drive value in R/G/B becomes FCh. 8. Set color temperature to "NORMAL (Medium)". 9. Fix G drive at E0h and adjust B drive and R drive so the highlight window's x, y becomes the "Color temperature Medium" in the below table. 10. Increase R/G/B together so the maximum drive value in R/G/B becomes FCh. 11. Set color temperature to "WARM(Low)". 12. Set G drive to E0h and adjust B drive and R drive so the highlight window's x, y become the "Color temperature Low" shown in the below table. 13. Increase R/G/B together so the maximum drive value in R/G/B becomes FCh. 14. Copy the R drive, G drive and B drive data in NTSC, PAL DVI region. <p>Table 1 W/B adjustment values</p> <table border="1"> <thead> <tr> <th>Color temperature</th> <th>x</th> <th>y</th> </tr> </thead> <tbody> <tr> <td>High</td> <td>0.276</td> <td>0.276</td> </tr> <tr> <td>Medium</td> <td>0.288</td> <td>0.296</td> </tr> <tr> <td>Low</td> <td>0.313</td> <td>0.329</td> </tr> </tbody> </table> <p>Adjustment target Hi-light: $x \pm 0.003$ $y \pm 0.003$ Hi-light is target of the number at drive adjustment in the hi-light windows. Therefore, it is not target of the hi-light number at after adjustment white balance.</p>		Color temperature	x	y	High	0.276	0.276	Medium	0.288	0.296	Low	0.313	0.329	Picture Menu: Standard Picture: 25 Aspect: Full Position and size: Normal <ul style="list-style-type: none"> · Highlight section Signal amplitude 75%  <p>RGB VGA W/B Pattern</p> <p>High light 75% Low light 15%</p> <ul style="list-style-type: none"> · Cutoff standard G: 80h · Drive standard G: E0h
Color temperature	x	y												
High	0.276	0.276												
Medium	0.288	0.296												
Low	0.313	0.329												

Table 2 Drive data addresses (PC/RGB)

Color temperature	R	G	B
High	A0-11AD	A0-11AE	A0-11AF
Medium	A0-11B0	A0-11B1	A0-11B2
Low	A0-11B3	A0-11B4	A0-11B5

Table 3 Drive data addresses (NTSC)

Color temperature	R	G	B
High	A0-1180	A0-1181	A0-1182
Medium	A0-1183	A0-1184	A0-1185
Low	A0-1186	A0-1187	A0-1188

Table 4 Drive data addresses (PAL)

Color temperature	R	G	B
High	A0-1189	A0-118A	A0-118B
Medium	A0-118C	A0-118D	A0-118E
Low	A0-118F	A0-1190	A0-1191

Table 5 Drive data addresses (DVI)

Color temperature	R	G	B
High	A0-11B6	A0-11B7	A0-11B8
Medium	A0-11B9	A0-11BA	A0-11BB
Low	A0-11BC	A0-11BD	A0-11BE

11.2. HD white balance adjustment

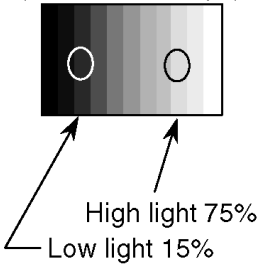
Instrument Name	Connection	Remarks												
<ul style="list-style-type: none"> · HD W/B pattern (COMPONENT Output) · Color analyzer (Minolta CA-100 or equivalent) 	PC input Panel surface	User setting: Normal (Picture menu: Standard)												
Procedure		Remarks												
<ul style="list-style-type: none"> · Ensure aging is adequate. · Make sure the front panel to be used on the final set is fitted. · Make sure a color signal is not being shown before adjustment. · Put the color analyzer where there is little color variation. <ol style="list-style-type: none"> 1. Set COMPONENT/RGB-IN SELECT to COMPONENT 2. Select the IIC mode "PANEL W/B Adj." item. 3. Check that the color temperature is "COOL (High)". 4. Output a white balance pattern. 5. Touch the signal receiver of color analyzer to the highlight window's center. 6. Fix G drive at E0h and adjust B drive and R drive so x, y become the "Color temperature High" in the below table. 7. Increase R/G/B together so the maximum drive value in R/G/B becomes FCh. 8. Set color temperature to "NORMAL (Medium)". 9. Fix G drive at E0h and adjust B drive and R drive so the highlight window's x, y becomes the "Color temperature Medium" in the below table. 10. Increase R/G/B together so the maximum drive value in R/G/B becomes FCh. 11. Set color temperature to "WARM (Low)". 12. Set G drive to E0h and adjust B drive and R drive so the highlight window's x, y become the "Color temperature Low" shown in the below table. 13. Increase R/G/B together so the maximum drive value in R/G/B becomes FCh. 14. Copy the R drive, G drive and B drive data in YUV1_525ip, YUV3_625ip region. <p style="text-align: center;">Table 6 W/B adjustment values</p> <table border="1" style="margin-left: auto; margin-right: auto;"> <thead> <tr> <th>Color temperature</th> <th>x</th> <th>y</th> </tr> </thead> <tbody> <tr> <td>High</td> <td>0.276</td> <td>0.276</td> </tr> <tr> <td>Medium</td> <td>0.288</td> <td>0.296</td> </tr> <tr> <td>Low</td> <td>0.313</td> <td>0.329</td> </tr> </tbody> </table> <p>Adjustment target Hi-light: $x \pm 0.003$ $y \pm 0.003$ Hi-light is target of the number at drive adjustment in the hi-light windows. Therefore, it is not target of the hi-light number at after adjustment white balance.</p>		Color temperature	x	y	High	0.276	0.276	Medium	0.288	0.296	Low	0.313	0.329	Picture Menu: Standard Picture: 25 Aspect: Full Position and size: Normal
Color temperature	x	y												
High	0.276	0.276												
Medium	0.288	0.296												
Low	0.313	0.329												
		<ul style="list-style-type: none"> · Highlight section Signal amplitude 75% <p style="text-align: center;">HD W/B Pattern (COMPONENT Output)</p>  <ul style="list-style-type: none"> · Cutoff standard G: 80h · Drive standard G: E0h 												

Table 7 Drive data addresses (YUV2_HD)

Color temperature	R	G	B
High	A0-119B	A0-119C	A0-119D
Medium	A0-119E	A0-119F	A0-11A0
Low	A0-11A1	A0-11A2	A0-11A3

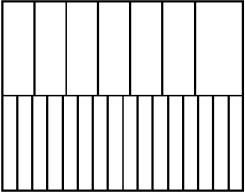
Table 8 Drive data addresses (YUV1_525ip)

Color temperature	R	G	B
High	A0-1192	A0-1193	A0-1194
Medium	A0-1195	A0-1196	A0-1197
Low	A0-1198	A0-1199	A0-119A

Table 9 Drive data addresses (YUV3_625ip)

Color temperature	R	G	B
High	A0-11A4	A0-11A5	A0-11A6
Medium	A0-11A7	A0-11A8	A0-11A9
Low	A0-11AA	A0-11AB	A0-11AC

11.3. Power control adjustment

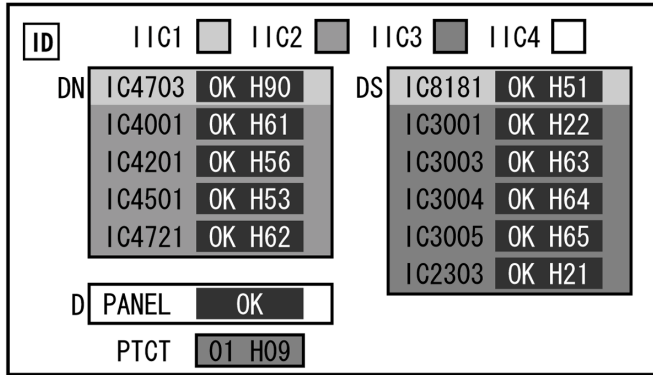
Instrument Name	Connection	Remarks
<ul style="list-style-type: none"> · PC (RGB) signal generator (Leader: VGA/No.9 signal) · Wattmeter 	<ul style="list-style-type: none"> · PC input · Connect the AC power of the adjustment set to the wattmeter. 	Set "RGB" at 'COMPONENT/RGB-IN SELECT' in Setup Menu.
Procedure		Remarks
<p>[condition]</p> <ul style="list-style-type: none"> · Make sure the set is aged for 30 minutes or more before adjustment. · Voltage 120V 50/60Hz (variation within 1%) · Volume at minimum and screen size at full · PC input and picture menu at normalized Dynamic <ol style="list-style-type: none"> 1. Connect the set's AC power to the wattmeter. 2. Receive the VGA No.9 signal from Leader. 3. Select the PWRCTL item in Panel APL/ABL in the IIC mode. 4. Adjust PWRCTL so the set's power consumption is description below. Adjust to shift large to small for DAC. <p>Factory adjustment with OSD</p> <p>37" 272 0 / -10W 42" 320 0 / -10W</p>		<div style="text-align: center;">  </div> <p>No.9 Signal Top half: Full color bar Bottom half: Horizontal 16 steps bar</p> <p>Notes:</p> <ol style="list-style-type: none"> 1. When passing through factory adjustment mode, the power few watts which goes down is the consideration being completed. 2. Adjust the large number for DAC when they have 2 adjustment points.

12 Trouble shooting guide

12.1. Self Check

12.1.1. Display Indication

1. Self-check is used to automatically check the bus line controlled circuit of the Plasma display.
2. To get into the Self-check mode, press the **volume down** button on the customer controls at the bottom of the set, at the same time pressing the **OFF-TIMER** button on the remote control, and the screen will show:-



If the CCU ports have been checked and found to be incorrect Or not located then " - - " will appear in place of " OK "

" 01 " in the line of the " PTCT " means the number of blinks of the Power LED is 1. (Refer to 12.1.2)

" H09 " in the line of the " PTCT " is the error code.

Note:

The line of the " PTCT " displays when you get into the Self-check mode for the first time only after the Power LED blinks.

12.1.2. Power LED Blinking timing chart

1. Subject

Information of LED Blinking timing chart.

2. Contents

When an abnormality has occurred the unit, the protection circuit operates and reset to the stand by mode. At this time, the defective block can be identified by the number of blinks of the Power LED on the front panel of the unit.

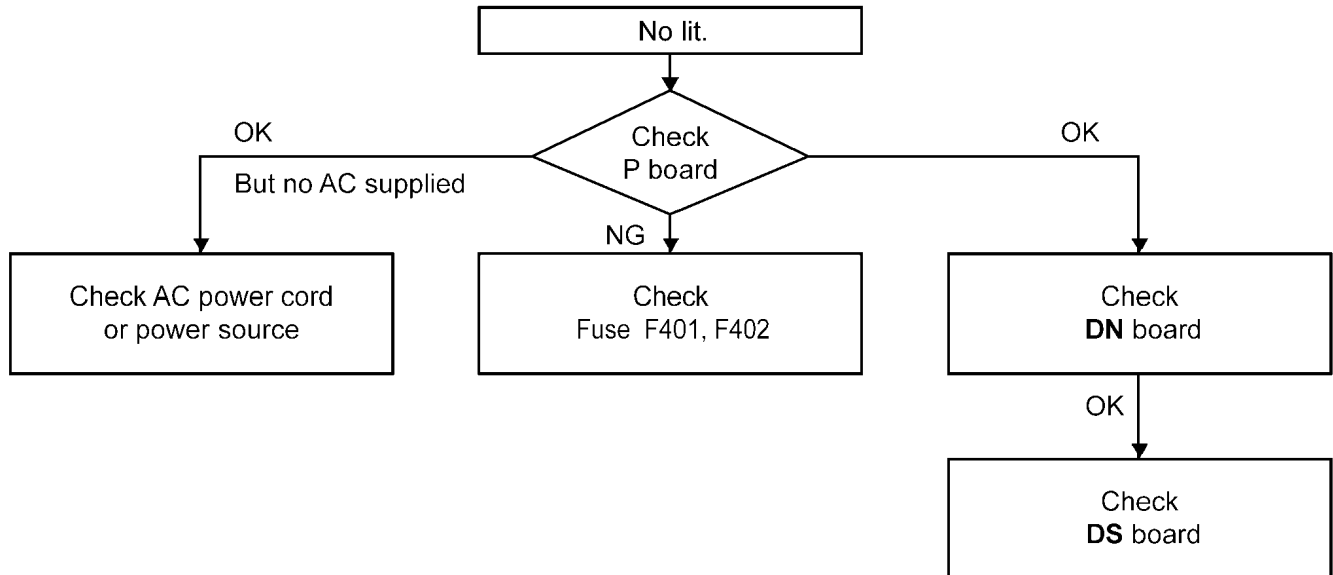
Blinking times	Blinking timing	Contents	Check point
1		No particular check point	—
2		15V SOS	P-Board
3		3.3V SOS	D-Board DN-Board
4		POWER SOS	P-Board
5		5V SOS	P-Board D-Board DN-Board
6		Driver SOS1	SC-Board
7		Driver SOS2	SU-Board SD-Board SC-Board
8		Driver SOS3	SS-Board
9		Panel Config SOS	D-Board
10		Terminal Board SOS	Terminal Board DS-Board

12.2. No Power

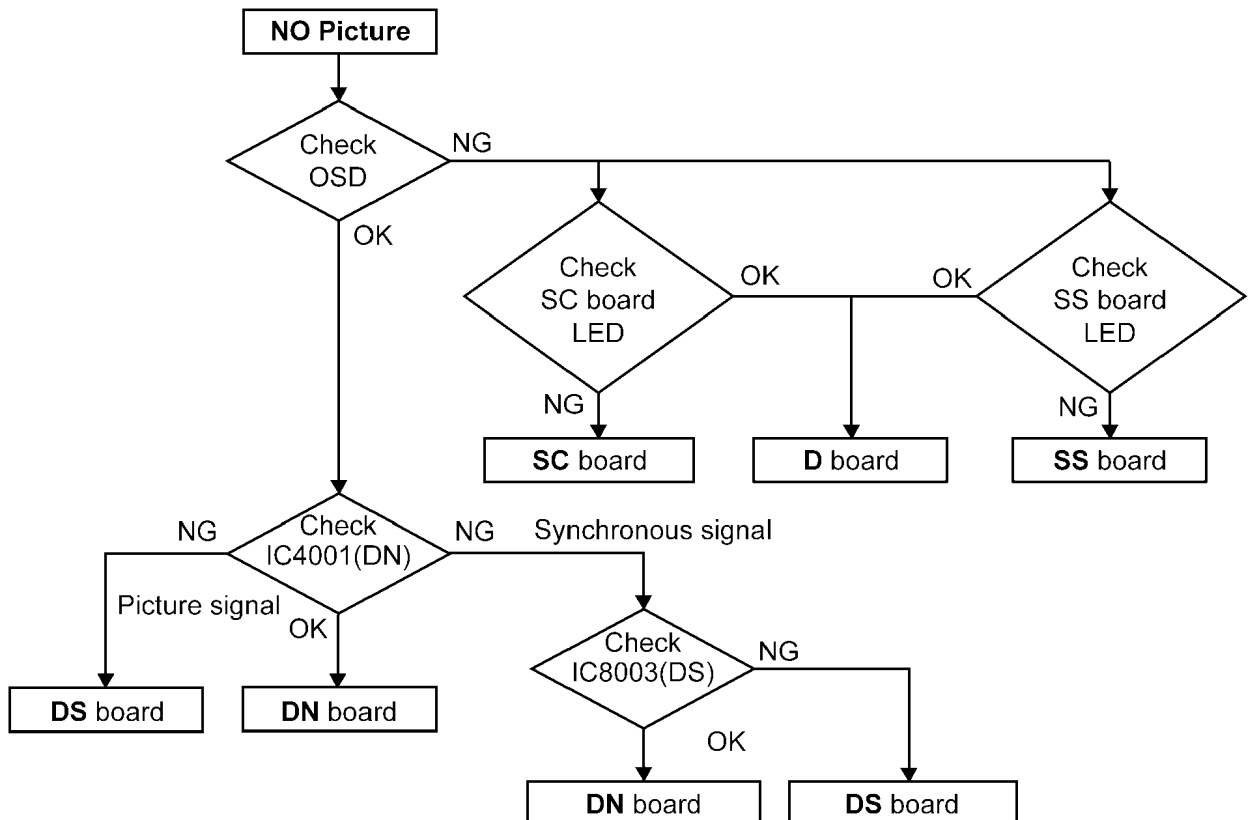
First check point

There are following 3 states of No Power indication by power LED.

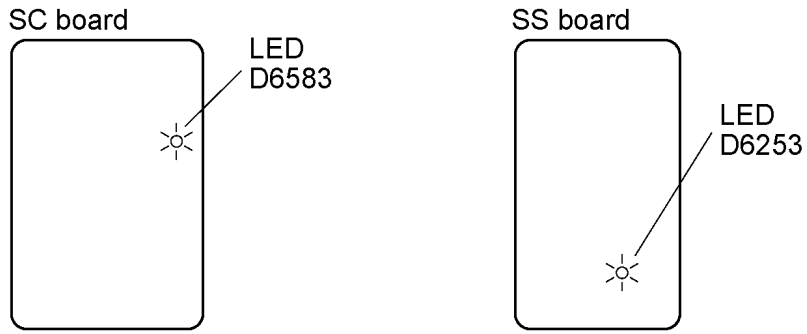
1. No lit.
2. Green is lit then turns red blinking a few seconds later.
3. Only red is lit.



12.3. No Picture

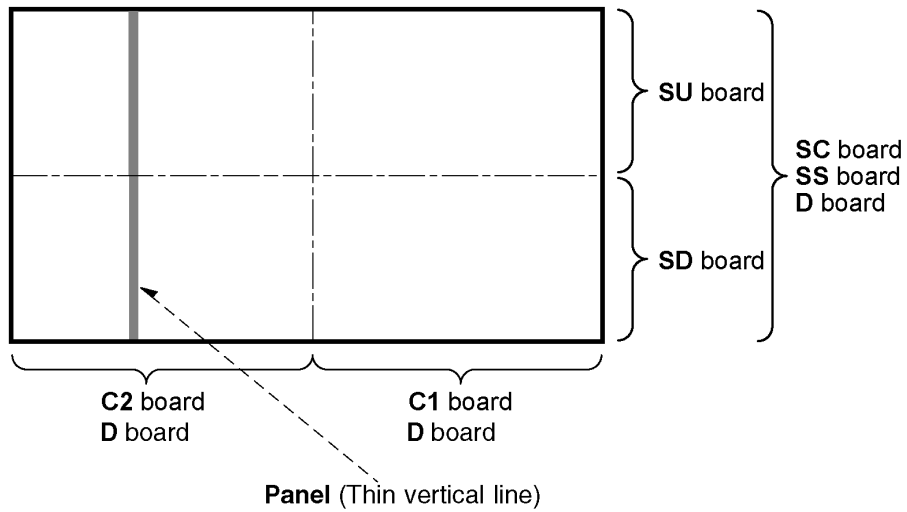


Drive circuits LED indicator



12.4. Local screen failure

Plasma display may have local area failure on the screen. Fig - 1 is the possible defect P.C.B. for each local area.


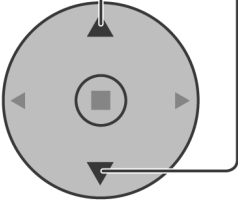



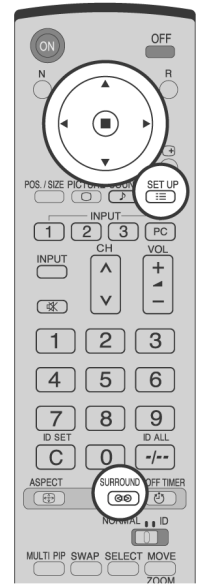
<Local screen failure chart>

Fig - 1

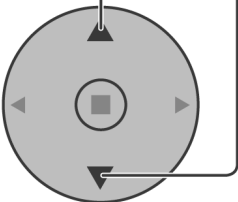
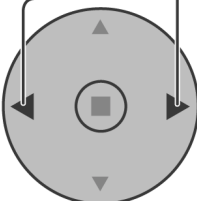

13 Option Setting

How to access the Option menu

- 1  Press to display the Setup menu.
- 2  Press to select "OSD Language"
- 3  Press and hold until the Options menu is displayed.



Setting the Option menus

- 1  Press to select your preferred menu.
- 2  Press to adjust the menu.
- 3  Press to exit from Options menu.

SET UP 1/2	
SIGNAL	
COMPONENT/RGB-IN SELECT	
	RGB
INPUT LABEL	PC
POWER SAVE	OFF
STANDBY SAVE	OFF
POWER MANAGEMENT	OFF
AUTO POWER OFF	OFF
OSD LANGUAGE	ENGLISH (US)

Options 1/3	
Weekly Command Timer	
Onscreen display	On
Initial INPUT	Off
Initial VOL level	off 0
Maximum VOL level	off 0
INPUT lock	off
Button lock	off
Remocon User level	off
Advanced PIP	off

Option Menu for GPH10D series

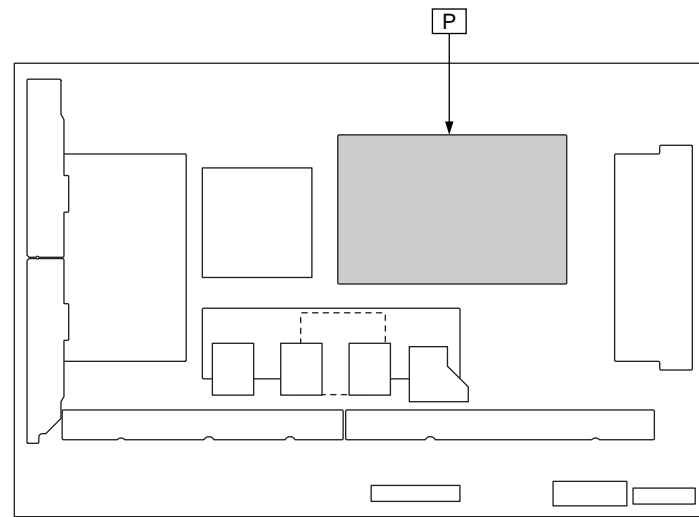
GPH10D chassis series have special function and operation setting facility called Option Menu. This Option Menu is useful for special function required customers. This should be set at the installation stage.

Option menus	default setting	Contents
Weekly Command Timer	----	Sets Weekly Command Timer.
Onscreen display	On	Enable/Disable to display input mode indication after power on and no signal indication.
Initial INPUT	Off	Sets the initial input mode when the power is turned on. Allow input mode selection while power is on.
Initial VOL level	Off	Sets the initial volume level when the power is turned on. Allow Volume control while power is on.
Maximum VOL Level	Off	Sets the maximum volume to desired level. Volume cannot exceed this level.
INPUT lock	Off	Fixes the input mode to AV, Component/RGB or PC. Can not change input mode by input selection key.
Button lock	Off	Enable/Disable bottom operation buttons (Input, Menu, Enter and/or volume up/down)
Remocon User Level	Off	Remote key invalidation. Off: Valid key is all key of remote. User1: Valid key are only Stand-by (ON/OFF), Input, Direct input, Status, Surround, Sound mute On/Off, and volume adjustment. User2: Valid key is only Stand-by (ON/OFF). User3: All keys are null and void
Advanced PIP	Off	Off: Sets normal two screen display mode. On: Sets Advanced PIP mode.
Off-timer function	Enable	Off-timer operation Enable/Disable.
Initial Power Mode	Normal	Sets the power mode of the unit for when the power recovers from failure or after plugging off and in again.
ID select	0	Set ID number from 0 to 100.
Remote ID	Off	Remote ID function On/Off. (While the Remote ID on, standard remote function can not control the unit.)
Serial ID	Off	Serial ID function On/Off
Display size	Off	Adjusts the image display size on screen. On: Sets the image display size approximately 95% of the normal image display.
Studio W/B	Off	Set warm mode color temperature to 3,200 Kelvin.
Studio Gain	Off	Sharpens the contrast for a better view when a part of the image is too light to see.
Slot power	Off	Sets the slot power mode while the power is turned on. Allow Optional Terminal Board insert Slots while power is on.
V. Installation	Off	V. Installation function On/Off (Not used)
Rotate	Off	The image rotates 180 degrees (up-down)
Serial Slot Select	Slot1	Selects the slot which communicates serial. Note: The setting of an external command can be set only from the fixed serial terminal.

Note:

When both main unit buttons and remote control are disabled due to the "Button lock", "Remocon User level" or "RemoteID" adjustments, set all the values "Off" so that all the buttons are enabled again.

Press the "Volume down" button on main unit together with "R" button on the remote control and hold for more than 5 seconds. The "SHIPPING" menu is displayed and the lock is released when it disappears.



Parts Location

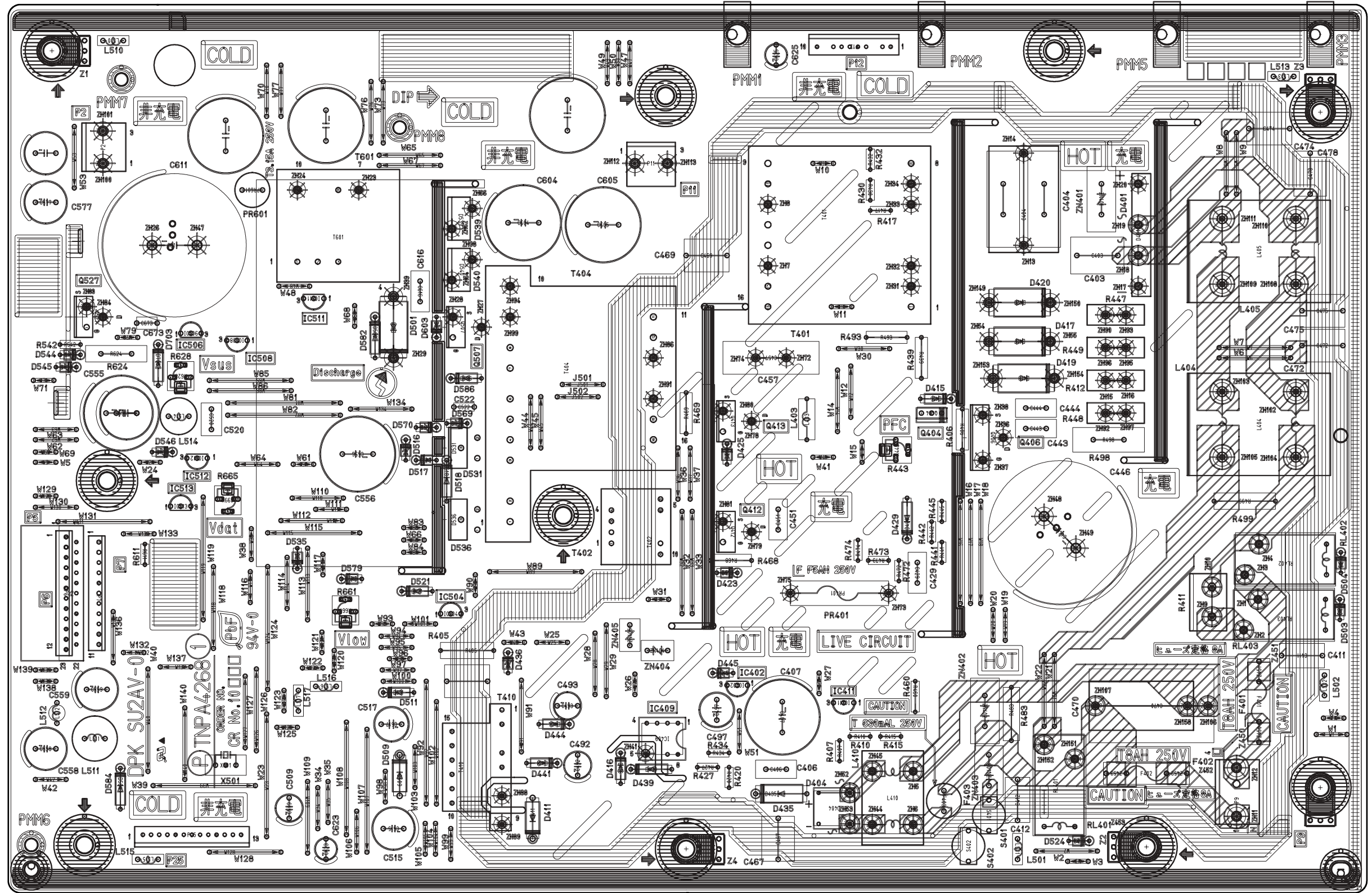
P-BOARD (FOIL SIDE)					
IC		TRANSISTOR		VOLUME	
IC401	E-2	Q401	D-4	Q535	H-4
IC402	E-2	Q402	D-4	Q537	G-1
IC403	F-2	Q403	E-2	Q538	H-2
IC406	D-4	Q404	D-4	Q540	G-5
IC408	F-2	Q406	C-3	Q541	G-2
IC409	E-2	Q407	D-3	Q553	G-2
IC411	D-2	Q408	E-3	Q554	G-2
IC412	F-3	Q409	E-4	Q555	G-3
IC501	H-2	Q410	F-2	Q556	G-3
IC502	H-1	Q411	E-2	Q563	G-2
IC504	F-2	Q412	E-3	Q564	G-3
IC505	H-5	Q413	E-4	Q565	H-3
IC506	H-4	Q420	D-4	Q566	G-3
IC507	G-4	Q422	D-3	Q567	G-2
IC508	H-4	Q434	D-2	Q569	G-2
IC509	G-4	Q501	H-1	VOLUME	
IC510	I-1	Q502	G-1	R443	C-3
IC511	G-4	Q507	F-4	R661	G-2
IC512	H-3	Q508	G-2	R665	H-3
IC513	H-3	Q509	G-3		
IC520	H-3	Q510	G-4		
		Q517	E-4		
		Q520	F-4		
		Q521	G-1		
		Q524	H-2		
		Q525	H-4		
		Q527	H-4		
		Q530	H-4		

Parts Location

P-BOARD (COMPONENT SIDE)					
IC		TRANSISTOR		VOLUME	
IC402	E-2	Q404	F-3	R443	F-3
IC409	E-2	Q406	G-3	R661	C-2
IC411	F-2	Q412	E-3	R665	B-3
IC504	D-2	Q413	E-4		
IC506	B-4	Q507	D-4		
IC508	B-4	Q527	A-4		
IC511	C-4				
IC512	B-3				
IC513	B-3				

P-BBOARD (COMPONENT SIDE)
TXN/P1XJTUS

6
5
4
3
2
1



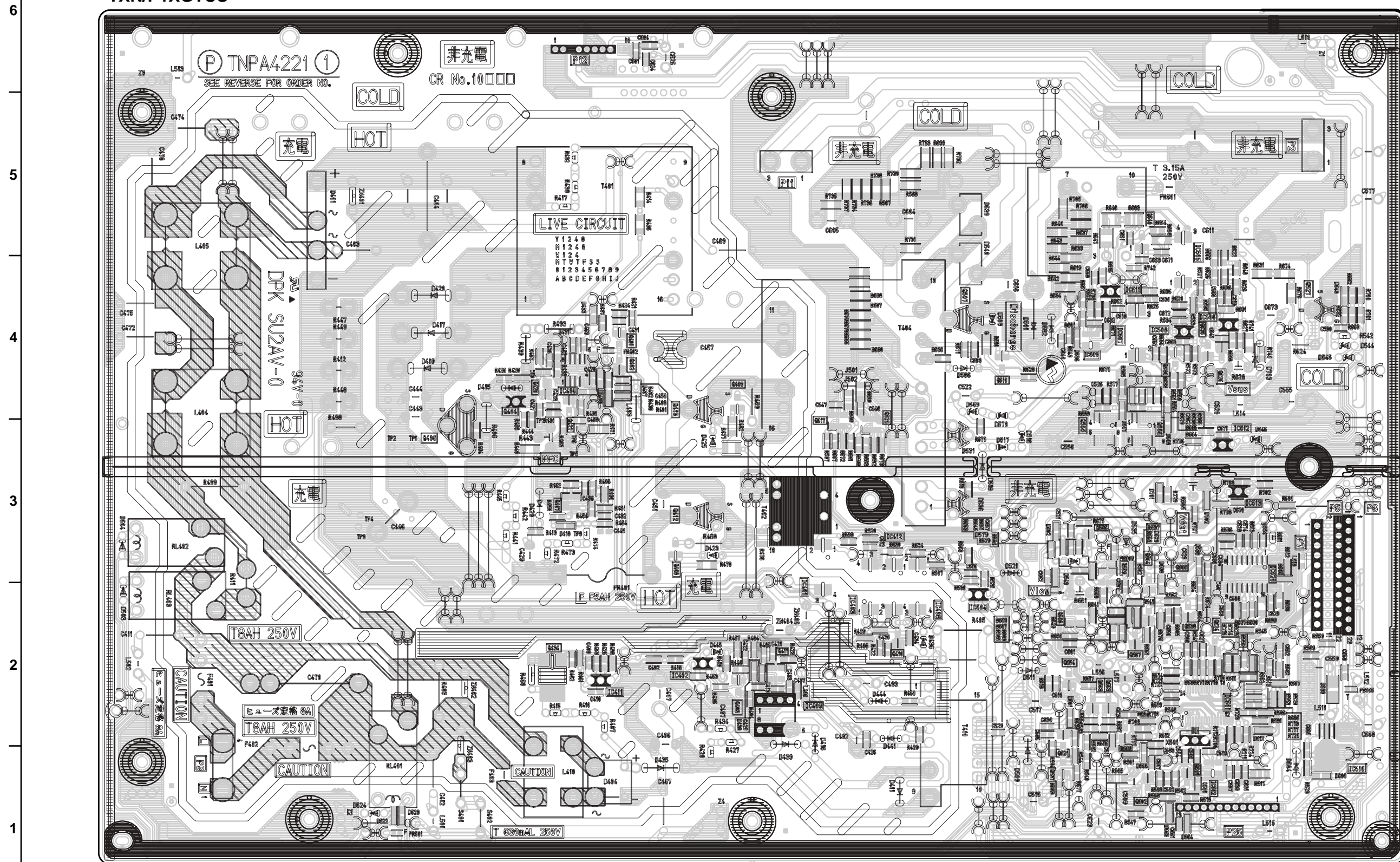
TH-37PR10U
P-BBOARD TXN/P1XJTUS

TH-37PR10U
P-BBOARD TXN/P1XJTUS

A B C D E F G H I

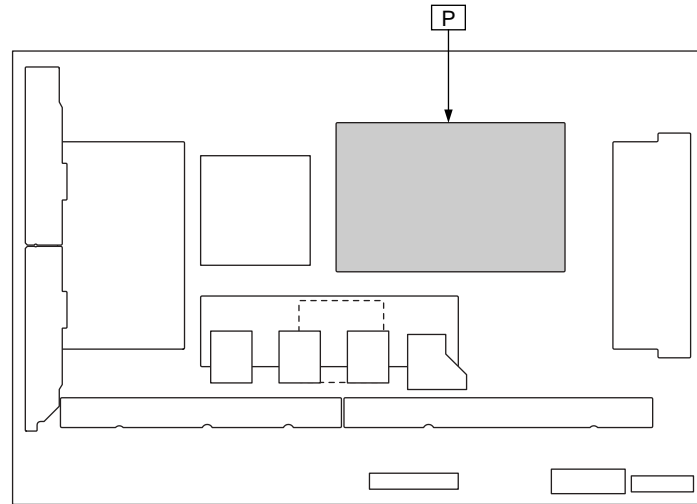
14.2. P-Board (42inch)

**P-BOARD (FOIL SIDE)
TXN/P1XGTUS**



TH-42PR10U
P-BOARD TXN/P1XGTUS

TH-42PR10U
P-BOARD TXN/P1XGTUS



Parts Location

P-BOARD (FOIL SIDE)					
IC	TRANSISTOR		VOLUME		
IC401	E-2	Q401	D-4	Q535	H-4
IC402	E-2	Q402	D-4	Q537	G-1
IC403	F-2	Q403	E-2	Q538	H-2
IC406	D-4	Q404	D-4	Q540	G-5
IC408	F-2	Q406	C-3	Q541	G-2
IC409	E-2	Q407	D-3	Q553	G-2
IC411	D-2	Q408	E-3	Q554	G-2
IC412	F-3	Q409	E-4	Q555	G-3
IC501	H-2	Q410	F-2	Q556	G-3
IC502	H-1	Q411	E-2	Q563	G-2
IC504	F-2	Q412	E-3	Q564	G-3
IC505	H-5	Q413	E-4	Q565	H-3
IC506	H-4	Q420	D-4	Q566	G-3
IC507	G-4	Q422	D-3	Q567	G-2
IC508	H-4	Q434	D-2	Q569	G-2
IC509	G-4	Q501	H-1	VOLUME	
IC510	I-1	Q502	G-1	R443	C-3
IC511	G-4	Q507	F-4	R661	G-2
IC512	H-3	Q508	G-2	R665	H-3
IC513	H-3	Q509	G-3		
IC520	H-3	Q510	G-4		
		Q517	E-4		
		Q520	F-4		
		Q521	G-1		
		Q524	H-2		
		Q525	H-4		
		Q527	H-4		
		Q530	H-4		

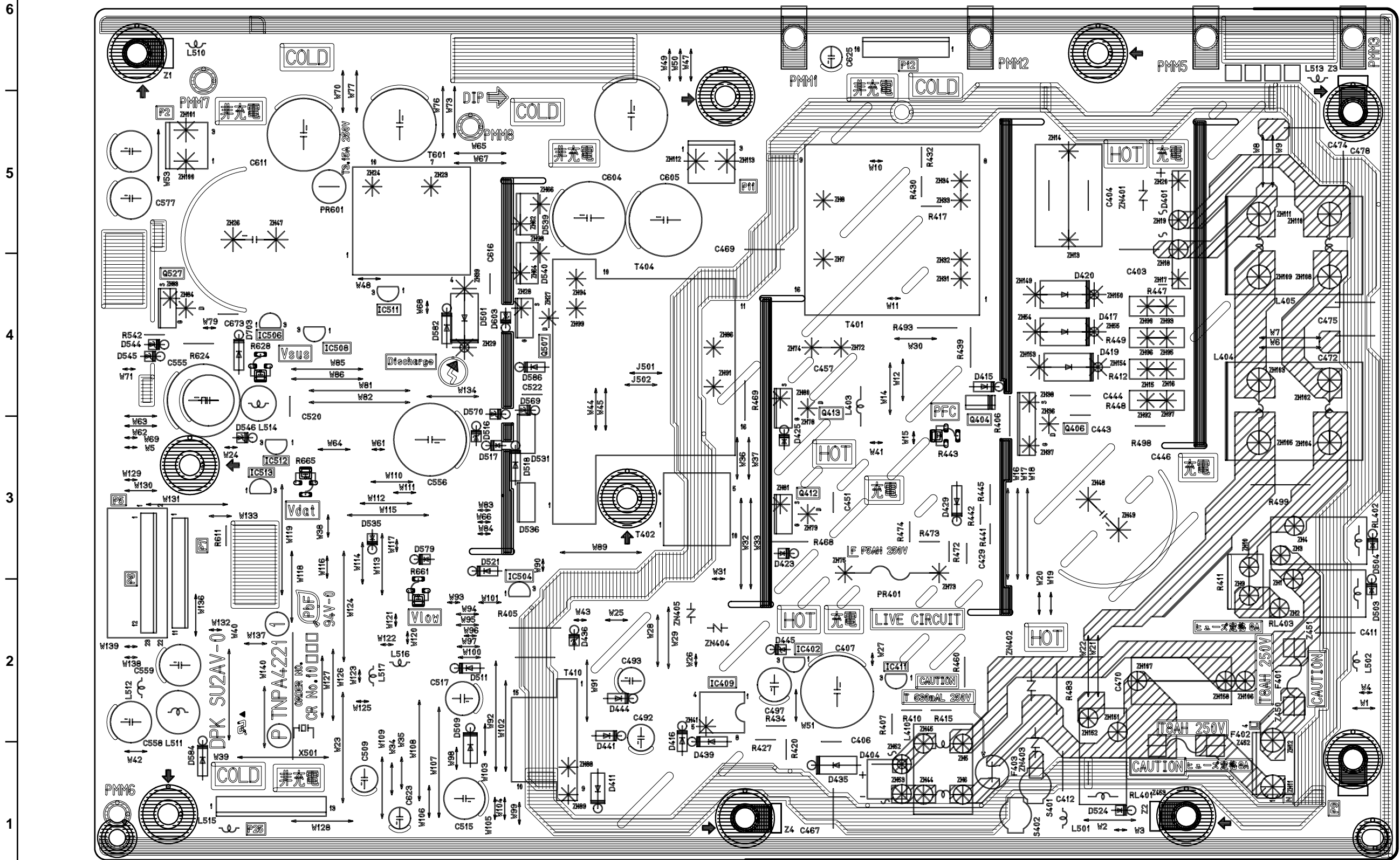
TH-42PR10U
P-BOARD PARTS LOCATION

Parts Location

P-BOARD (COMPONENT SIDE)					
IC	TRANSISTOR		VOLUME		
IC402	E-2	Q404	F-3	R443	F-3
IC409	E-2	Q406	G-3	R661	C-2
IC411	F-2	Q412	E-3	R665	B-3
IC504	D-2	Q413	E-4		
IC506	B-4	Q507	D-4		
IC508	B-4	Q527	A-4		
IC511	C-4				
IC512	B-3				
IC513	B-3				

TH-42PR10U
P-BOARD PARTS LOCATION

P-BOARD (COMPONENT SIDE)
TXN/P1XGTUS



TH-42PR10U
P-BOARD TXN/P1XGTUS

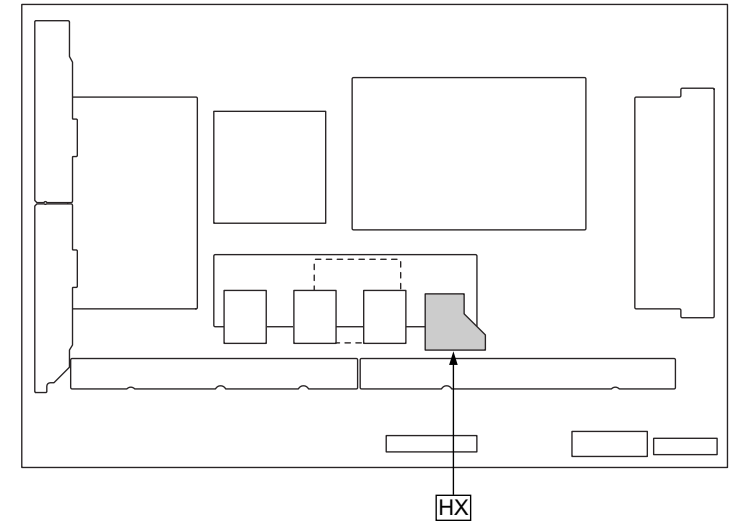
TH-42PR10U
P-BOARD TXN/P1XGTUS

14.3. HX-Board

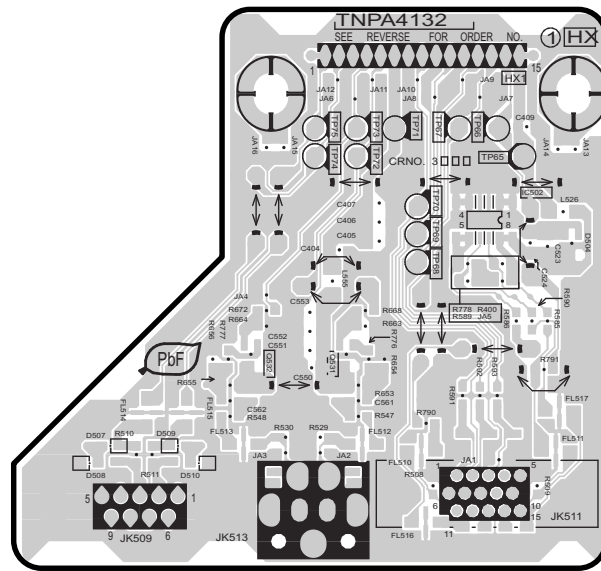
6
5
4
3
2
1

Parts Location

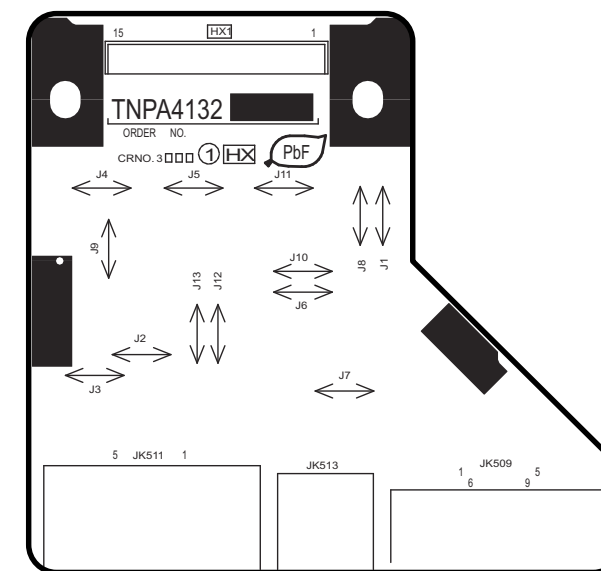
HX-BOARD			
IC		TRANSISTOR	
IC502	D-3	Q3531	C-2
		Q3532	C-2



HX-BOARD (FOIL SIDE)
TXNHX1XNTU



HX-BOARD (COMPONENT SIDE)
TXNHX1XNTU



TH-37/42PR10U
HX-BOARD TXNHX1XNTU

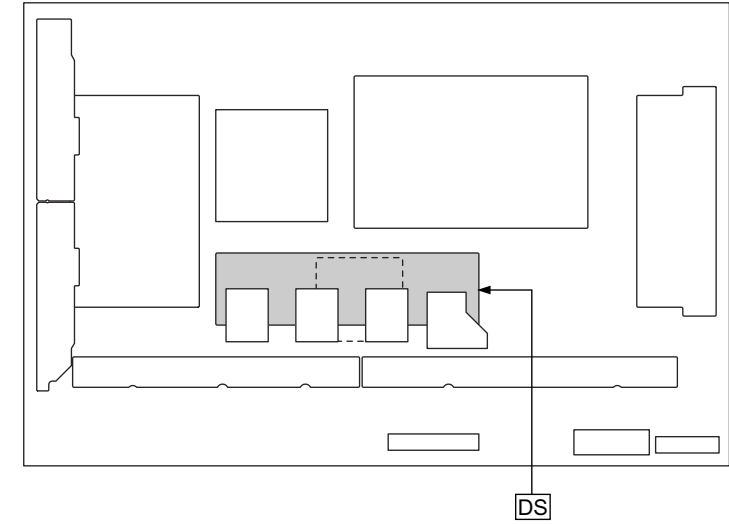
TH-37/42PR10U
HX-BOARD TXNHX1XNTU

A | B | C | D | E | F | G | H | I

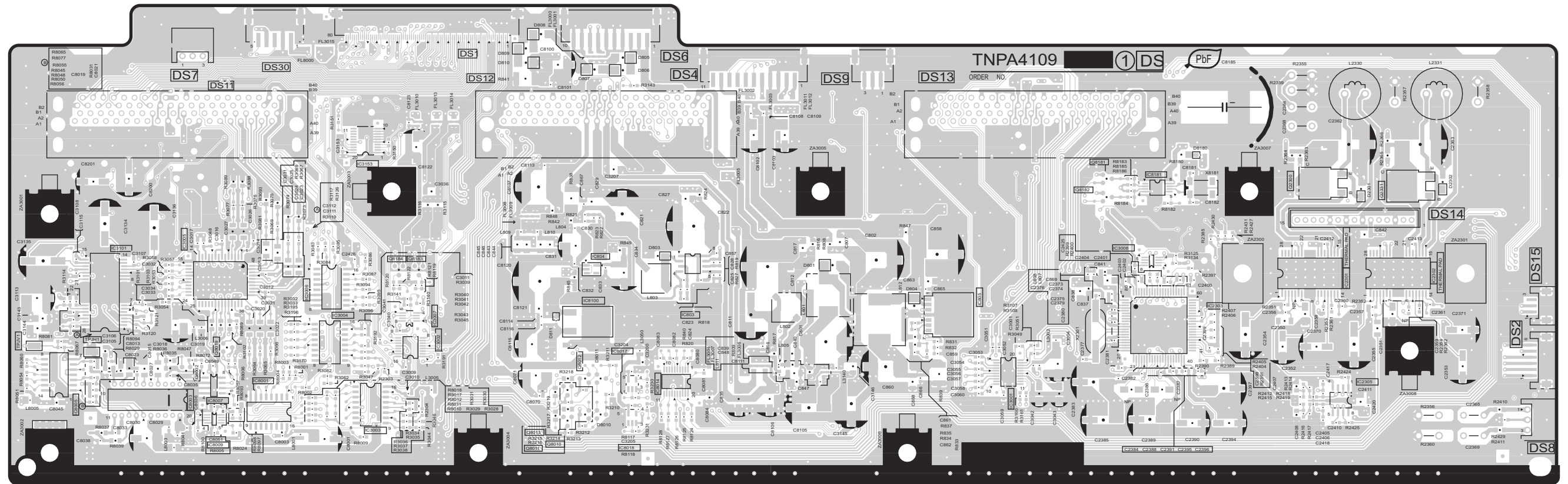
14.5. DS-Board

Parts Location

DS-BOARD (COMPONENT SIDE)					
IC				TRANSISTOR	
IC803	E-3	IC3008	G-3	Q2300	H-3
IC804	D-2	IC3101	A-3	Q2331	H-3
IC805	F-2	IC3153	C-3	Q8002	B-2
IC2301	H-2	IC8001	B-2	Q8010	D-2
IC2302	H-2	IC8003	B-2	Q8011	D-2
IC2303	H-2	IC8005	A-2	Q8012	D-2
IC2305	H-2	IC8007	B-2	Q8013	D-2
IC3001	F-2	IC8009	B-2	Q8019	B-2
IC3002	C-2	IC8014	D-2	Q8181	G-3
IC3003	C-2	IC8017	D-2	Q8182	G-3
IC3004	C-2	IC8018	D-2	Q8183	D-2
IC3005	B-2	IC8100	D-2	Q8184	D-2
IC3006	B-2	IC8181	G-3		
IC3007	C-2				
TP					
				TPJH1	A-2
				TPJV1	A-2



DS-BOARD (COMPONENT SIDE)
TNPA4109AB (37/42inch)



TH-37/ 42PR10U
DS-BOARD TNPA4109AB

TH-37/42PR10U
DS-BOARD TNPA4109AB

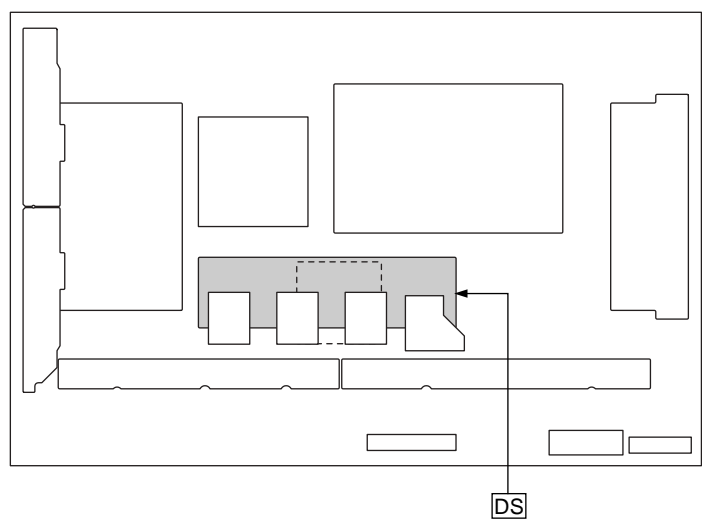
6
5
4
3
2
1

A | B | C | D | E | F | G | H | I

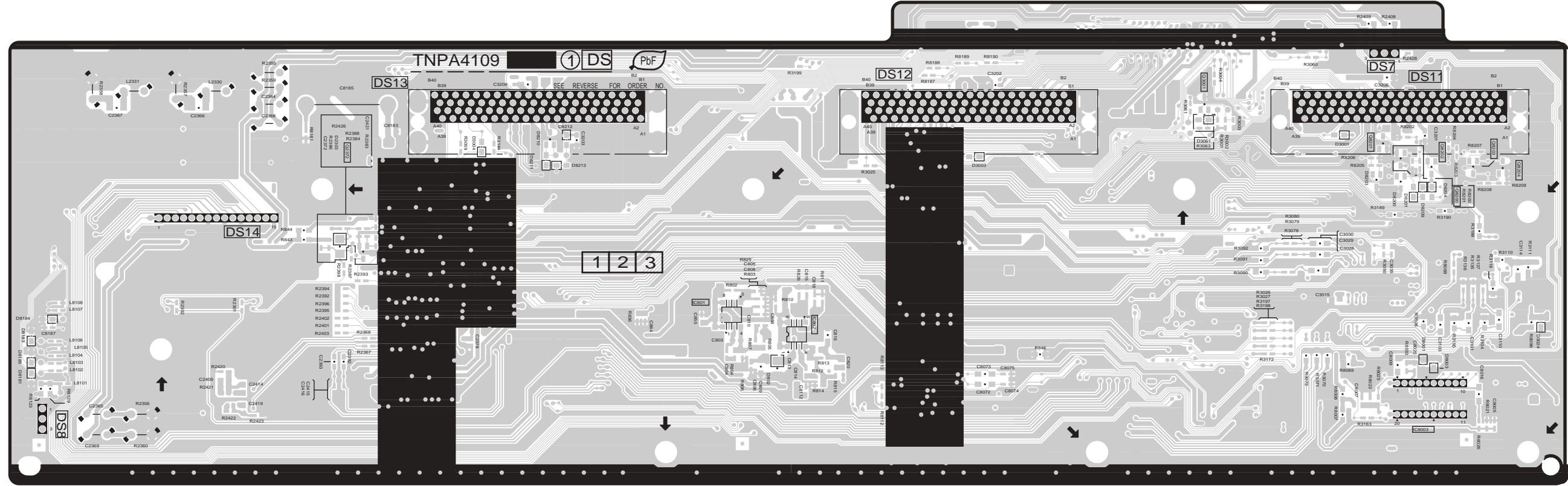
6
5
4
3
2
1

Parts Location

DS-BOARD	
IC	
IC801	E-2
IC802	E-2
IC8003	I-2



DS-BOARD (FOIL SIDE)
TNPA4109AB (37/42inch)



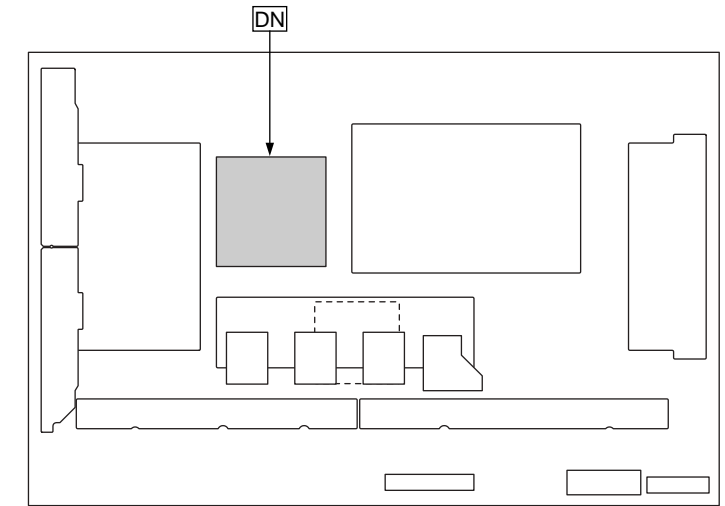
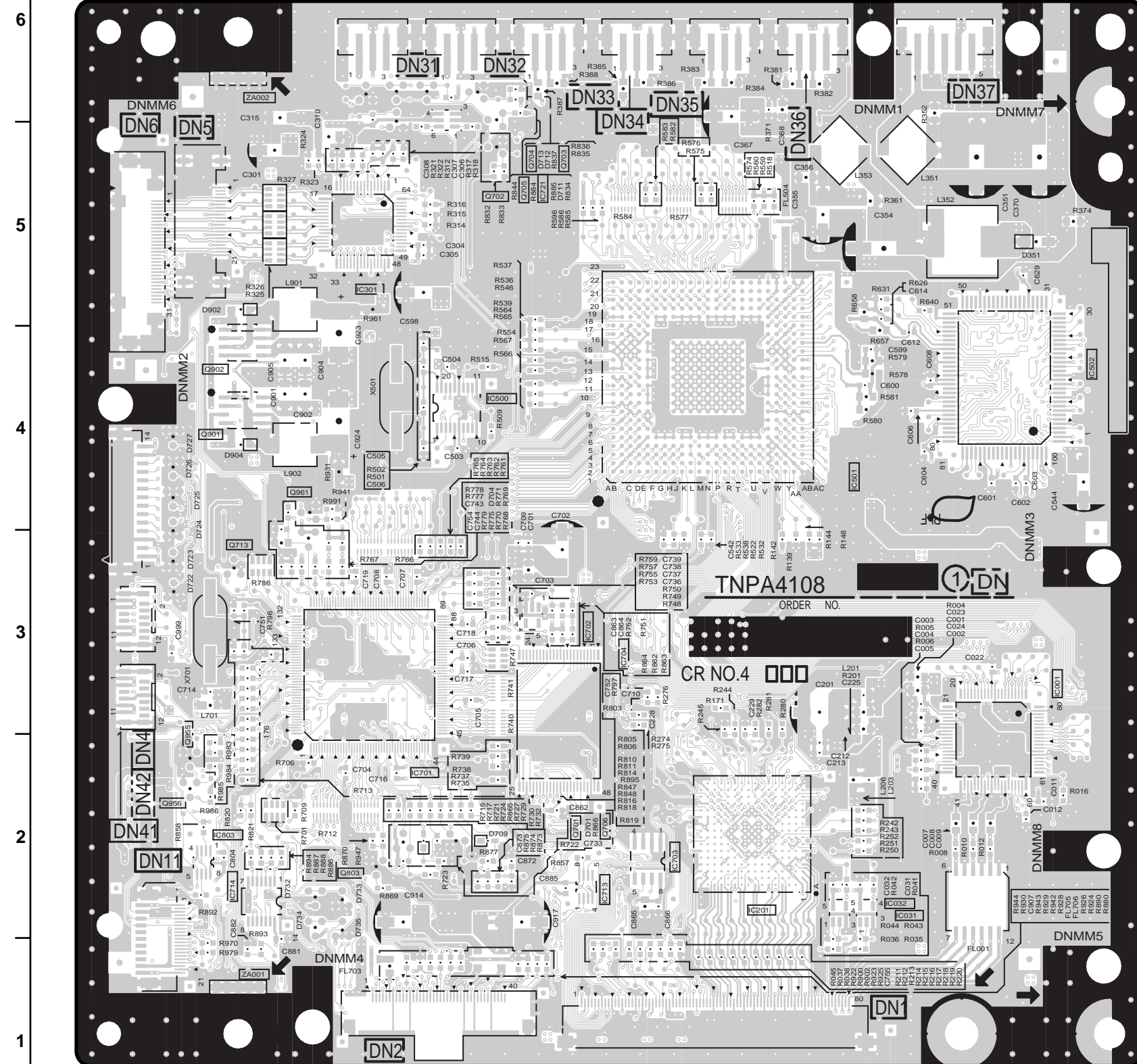
TH-37/42PR10U
DS-BOARD TNPA4109AB

TH-37/42PR10U
DS-BOARD TNPA4109AB

A | B | C | D | E | F | G | H | I

14.6. DN-Board

DN-BOARD (COMPONENT SIDE)
 TXNDN1XQTU (37inch)
 TXNDN1XNTU (42inch)



Parts Location

DN-BOARD (COMPONENT SIDE)			
IC	TRANSISTOR		
IC4001	F-3	Q4701	C-2
IC4031	E-2	Q4702	C-5
IC4032	E-2	Q4703	C-5
IC4201	D-2	Q4704	C-5
IC4301	B-5	Q4705	C-5
IC4500	C-4	Q4706	C-2
IC4501	E-4	Q4713	B-3
IC4502	F-4	Q4803	B-2
IC4701	B-2	Q4901	A-4
IC4702	C-3	Q4902	A-4
IC4703	D-2	Q4955	A-2
IC4704	C-3	Q4956	A-2
IC4713	C-2	Q4961	B-4
IC4714	A-2		
IC4721	C-5		
IC4803	A-2		

TH-37PR10U
 DN-BOARD TXNDN1XQTU

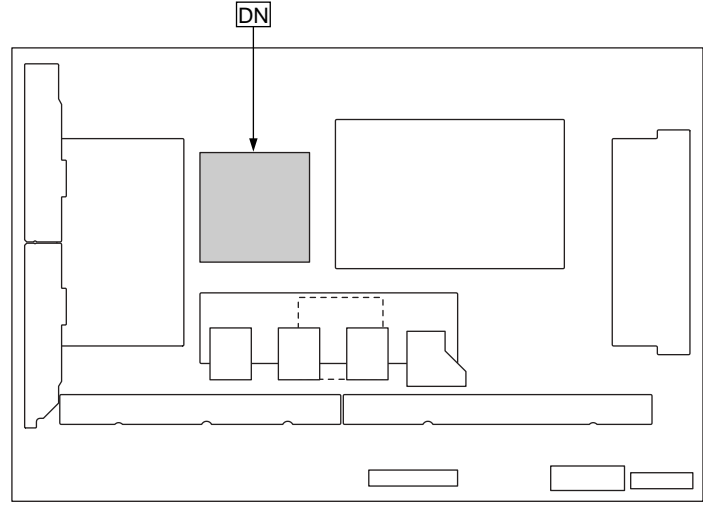
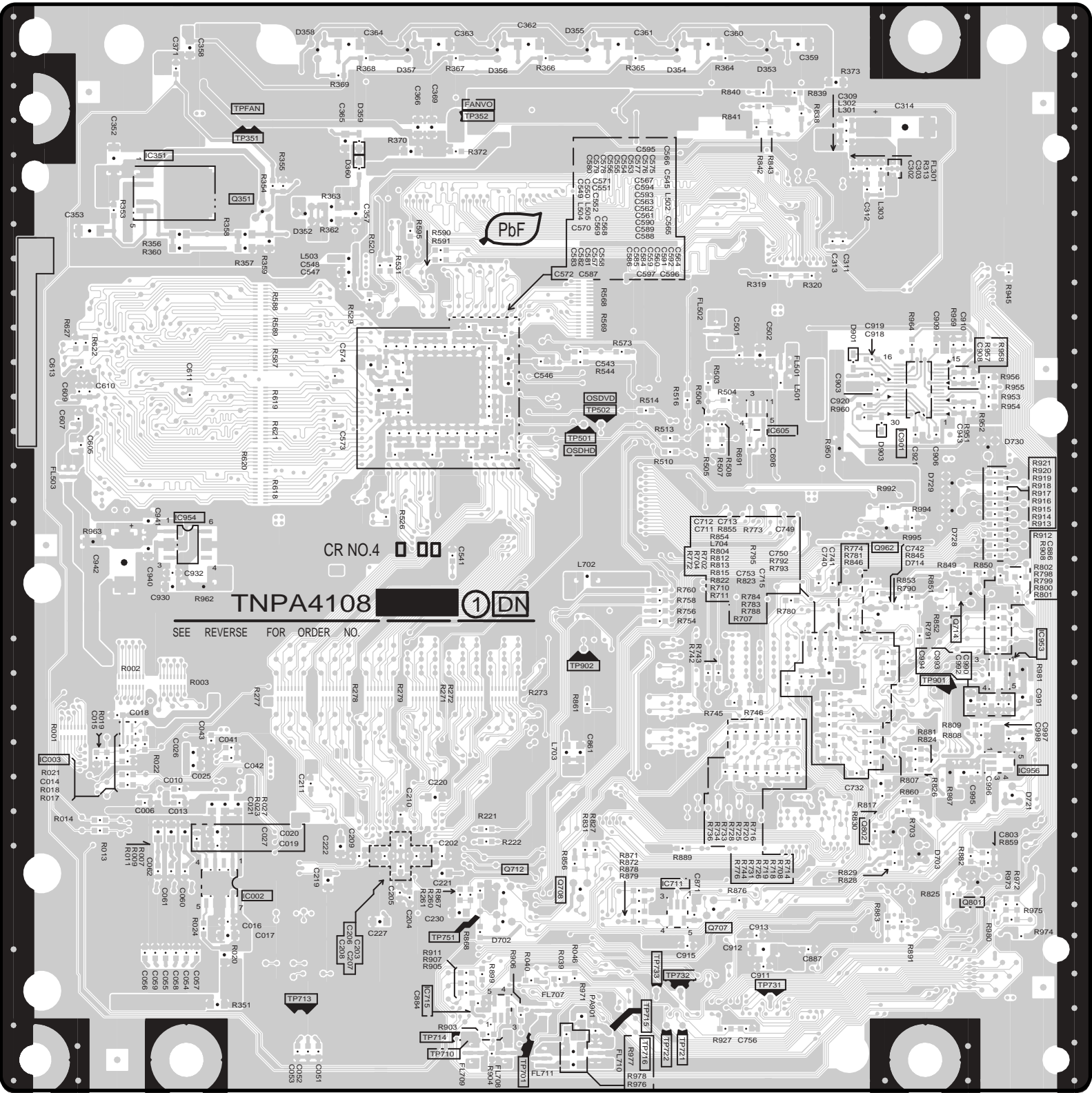
TH-42PR10U
 DN-BOARD TXNDN1XNTU

TH-37PR10U
 DN-BOARD TXNDN1XQTU

TH-42PR10U
 DN-BOARD TXNDN1XNTU

DN-BOARD (FOIL SIDE)
TXNDN1XQTU (37inch)
TXNDN1XNTU (42inch)

6
5
4
3
2
1



Parts Location

DN-BOARD (FOIL SIDE)			
IC		TRANSISTOR	
IC4002	B-2	Q4351	B-5
IC4003	A-2	Q4707	D-2
IC4351	A-5	Q4708	C-2
IC4605	D-4	Q4712	C-2
IC4711	D-2	Q4714	E-3
IC4715	C-1	Q4801	E-2
IC4901	E-4	Q4802	E-2
IC4953	F-3	Q4962	E-3
IC4954	B-4		
IC4956	F-2		

TH-37PR10U
DN-BOARD TXNDN1XQTU

TH-42PR10U
DN-BOARD TXNDN1XNTU

TH-37PR10U
DN-BOARD TXNDN1XQTU

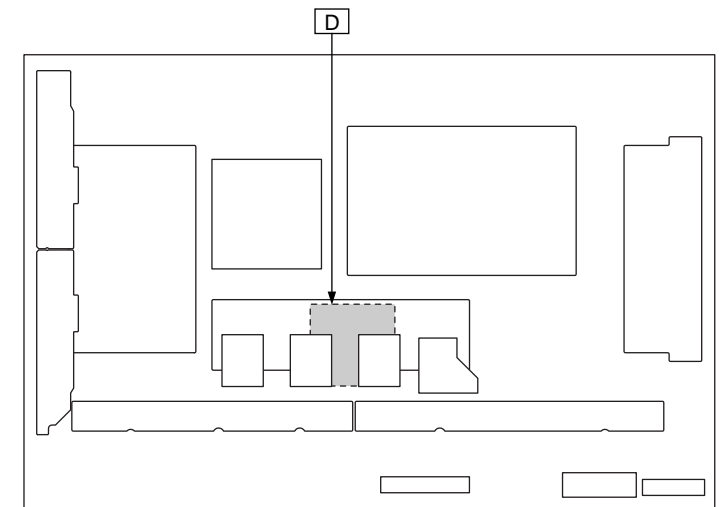
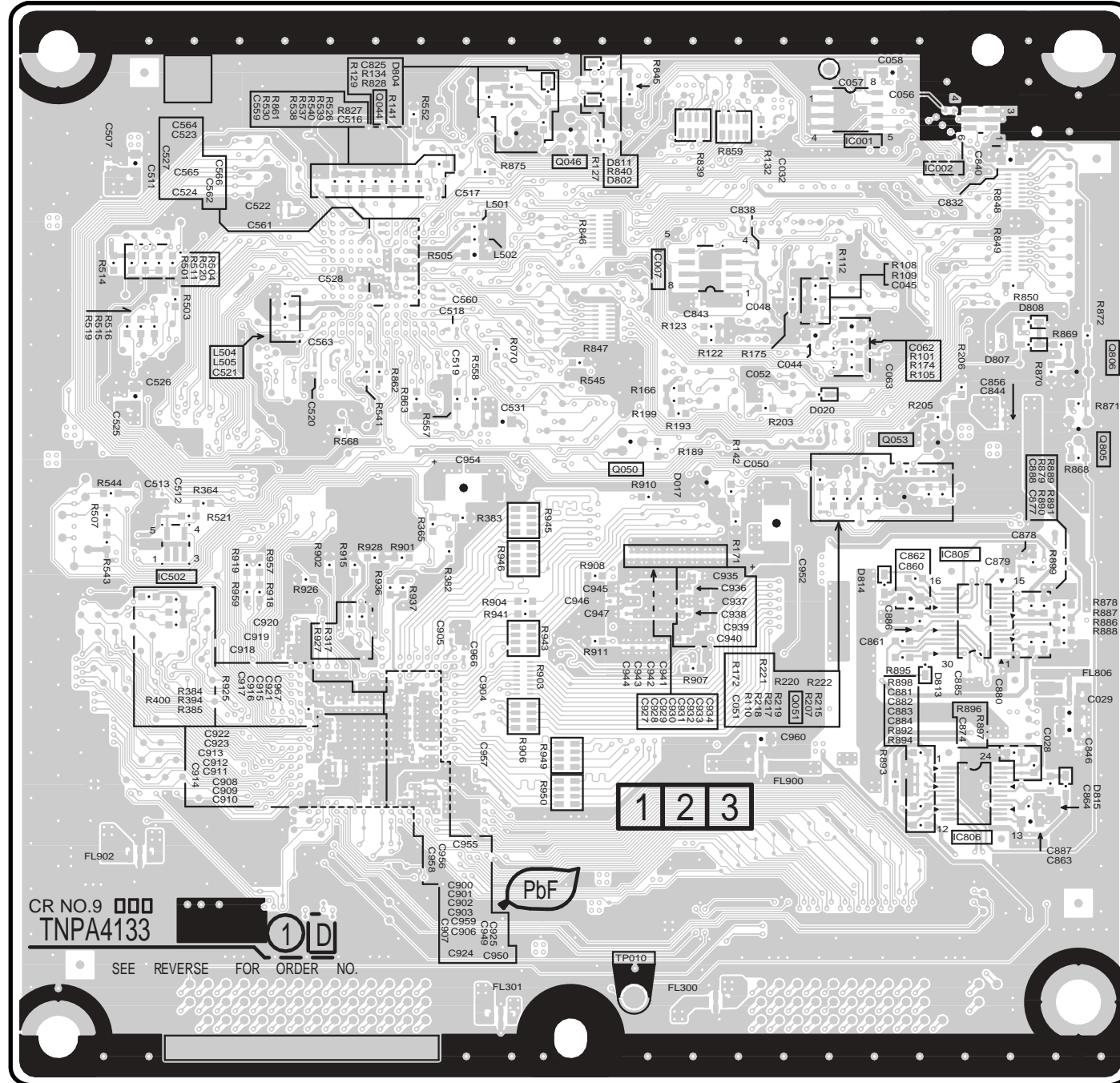
TH-42PR10U
DN-BOARD TXNDN1XNTU

A B C D E F G H I

14.7. D-Board

6
5
4
3
2
1

D-BOARD (FOIL SIDE)
TXN/D1XJTU (37inch)
TZTNP01XGTU (42inch)



Parts Location

D-BOARD (FOIL SIDE)			
IC	TRANSISTOR		
IC9001	E-5	Q9044	C-5
IC9002	E-5	Q9046	C-5
IC9007	D-5	Q9050	D-4
IC9502	B-3	Q9051	D-3
IC9805	E-3	Q9053	E-4
IC9806	E-2	Q9805	F-4
		Q9806	F-4
TEST POINT			
TP010	C-2		

TH-37PR10U
D-BOARD TXN/D1XJTU

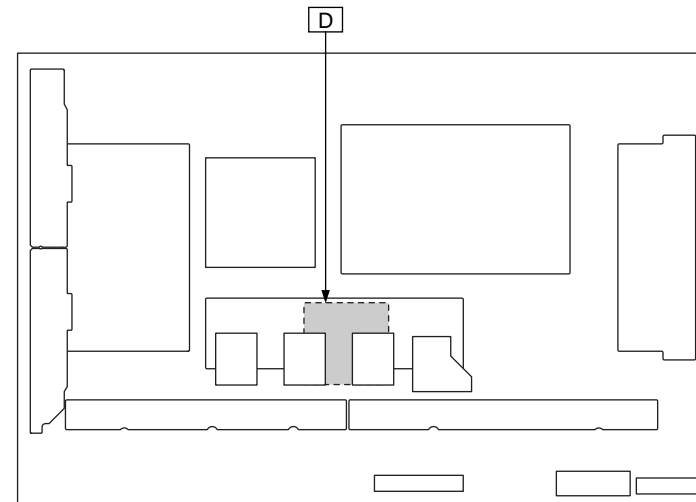
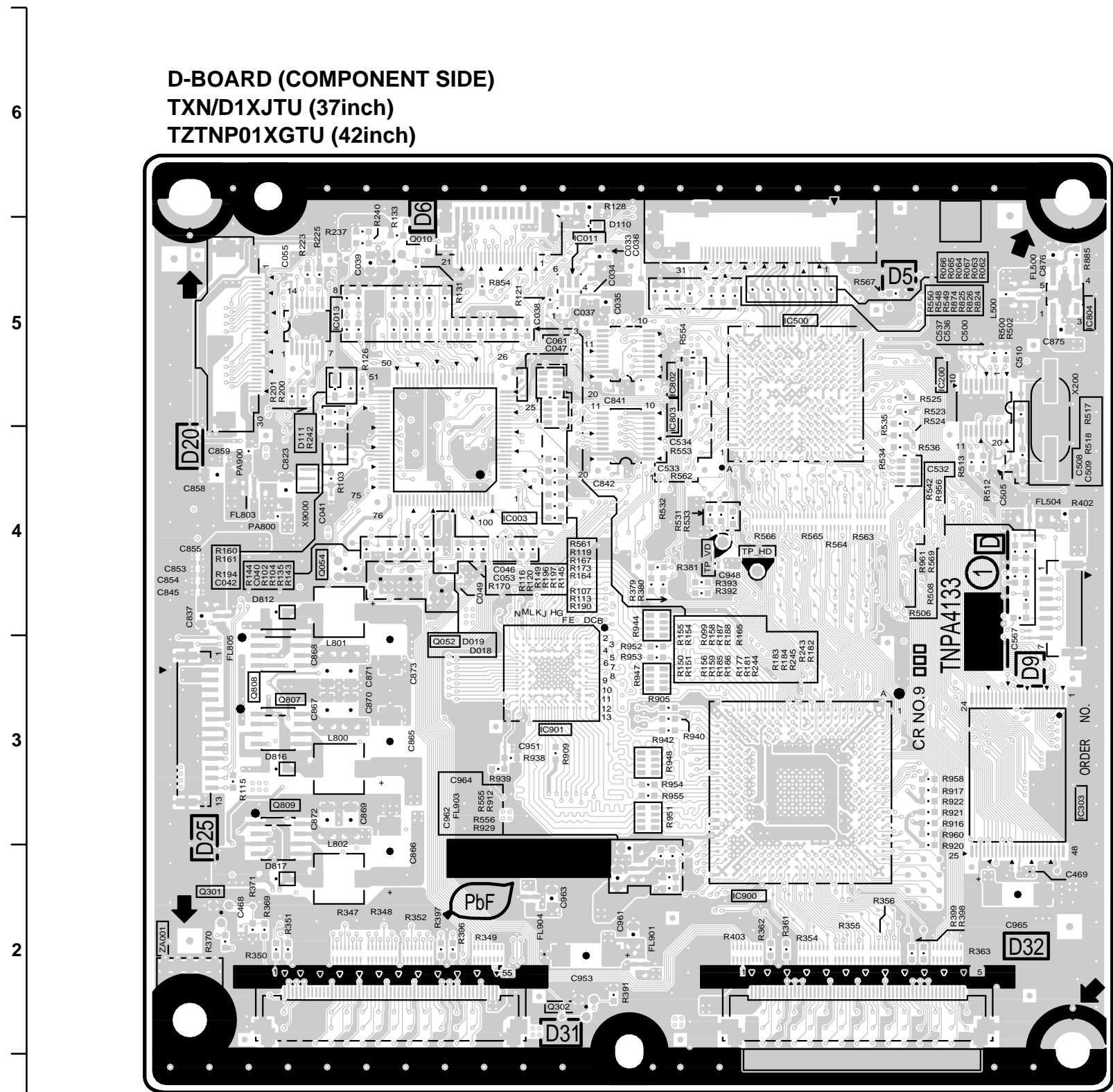
TH-42PR10U
D-BOARD TZTNP01XGTU

TH-37PR10U
D-BOARD TXN/D1XJTU

TH-42PR10U
D-BOARD TZTNP01XGTU

A B C D E F G H I

D-BOARD (COMPONENT SIDE)
TXN/D1XJTU (37inch)
TZTNP01XGTU (42inch)



Parts Location

D-BOARD (COMPONENT SIDE)			
IC	TRANSISTOR		
	IC9003	C-4	Q9010
IC9011	C-5	Q9052	C-3
IC9013	B-5	Q9054	B-4
IC9200	E-5	Q9301	A-2
IC9303	E-3	Q9302	C-2
IC9500	D-5	Q9807	B-3
IC9802	D-5	Q9808	B-3
IC9803	D-5	Q9809	B-3
IC9804	E-5		
IC9900	D-3	TP	
IC9901	C-3	TP-HD	D-4
		TP-VD	D-4

TH-37PR10U
D-BOARD TXN/D1XJTU

TH-42PR10U
D-BOARD TZTNP01XGTU

TH-37PR10U
D-BOARD TXN/D1XJTU

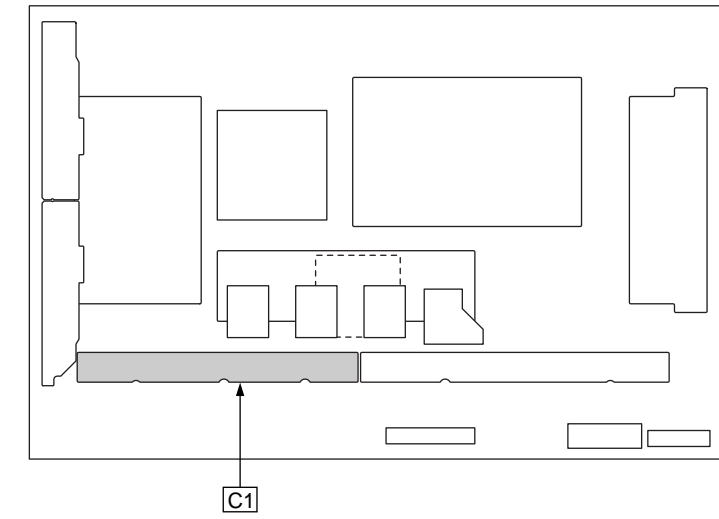
TH-42PR10U
D-BOARD TZTNP01XGTU

14.8. C1-Board (37inch)

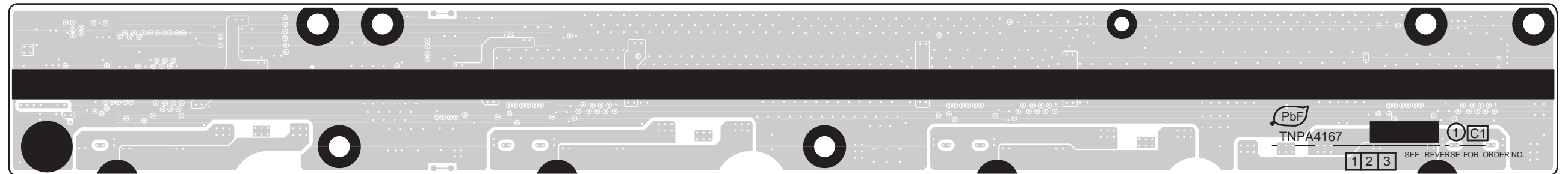
6
5
4
3
2
1

Parts Location

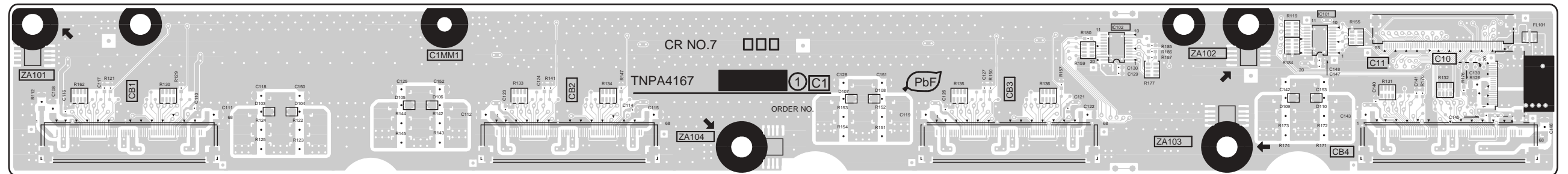
C1-BOARD	
IC	
IC7101	H-2
IC7102	G-2



C1-BOARD (FOIL SIDE)
TXNC11HPTUJ



C1-BOARD (COMPONENT SIDE)
TXNC11HPTUJ



TH-37PR10U
C1-BOARD TXNC11HPTUJ

TH-37PR10U
C1-BOARD TXNC11HPTUJ

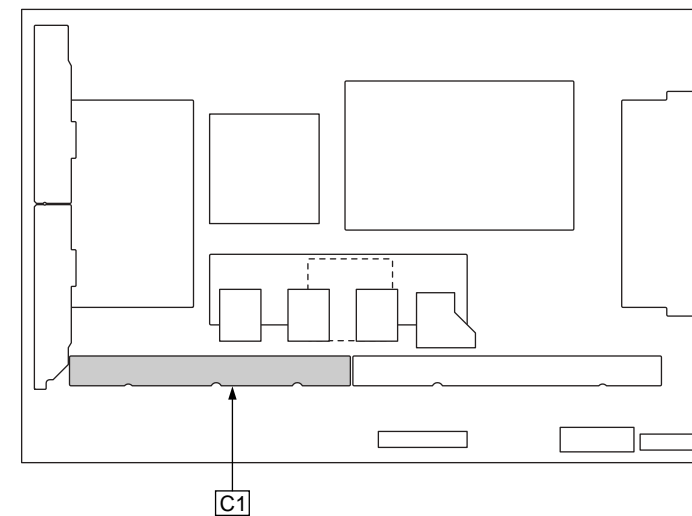
A B C D E F G H I

14.9. C1-Board (42inch)

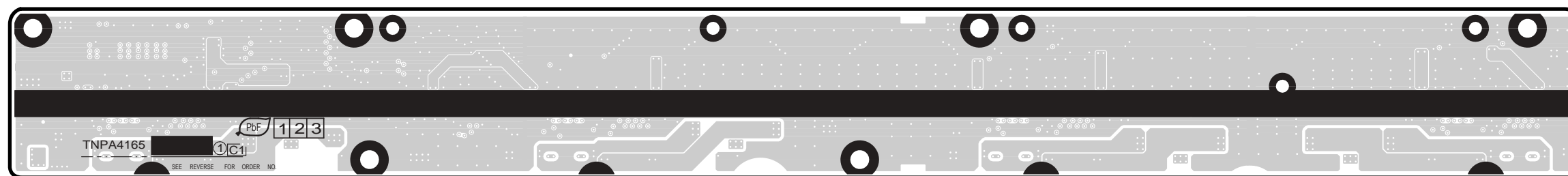
6
5
4
3
2
1

Parts Location

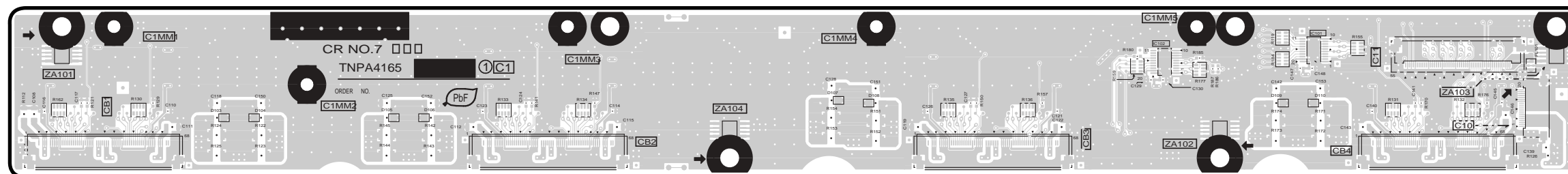
C1-BOARD	
IC	
IC7101	G-2
IC7102	G-2



**C1-BOARD (FOIL SIDE)
TXNC11HNTU**



**C1-BOARD (COMPONENT SIDE)
TXNC11HNTU**

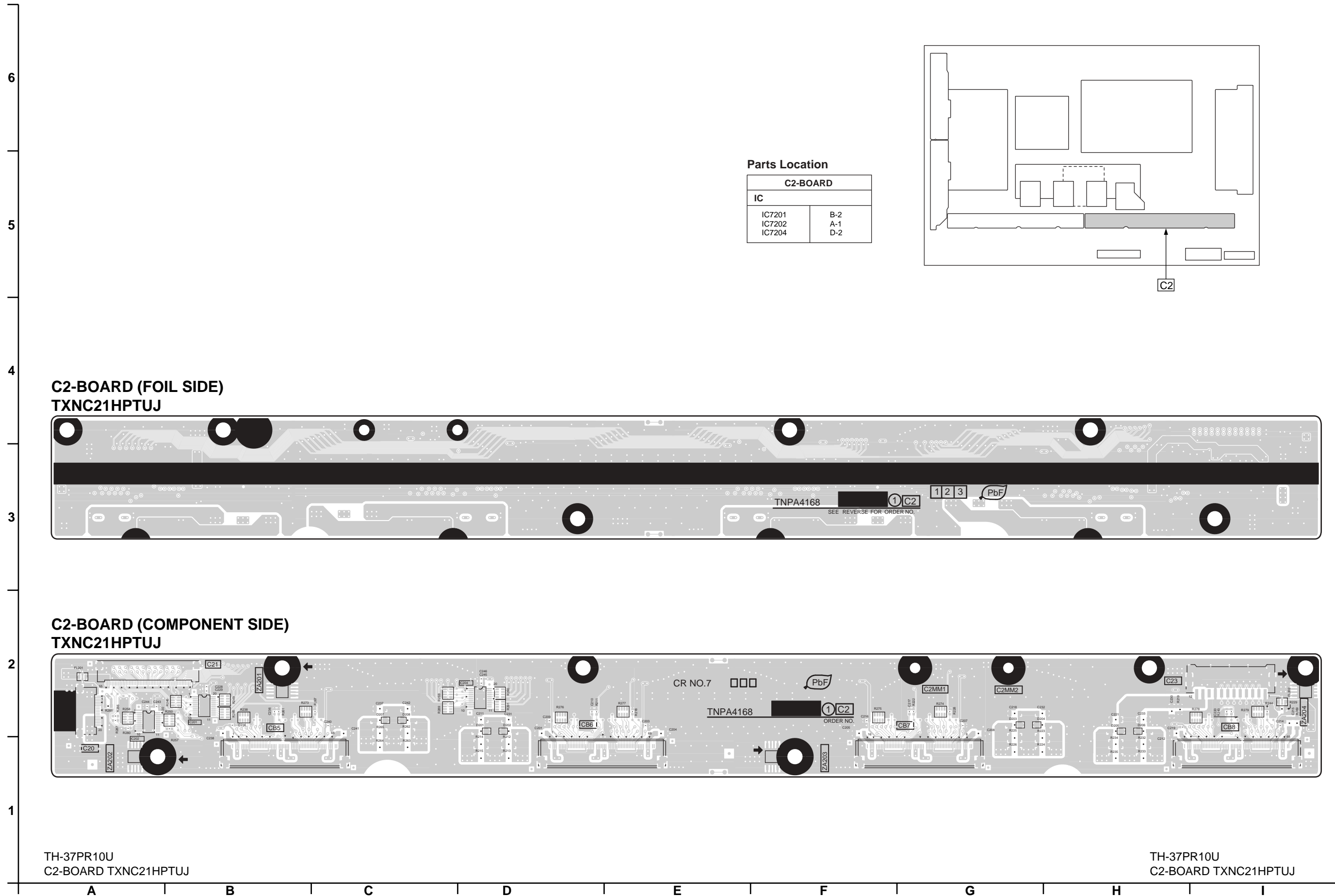


TH-42PR10U
C1-BOARD TXNC11HNTU

TH-42PR10U
C1-BOARD TXNC11HNTU

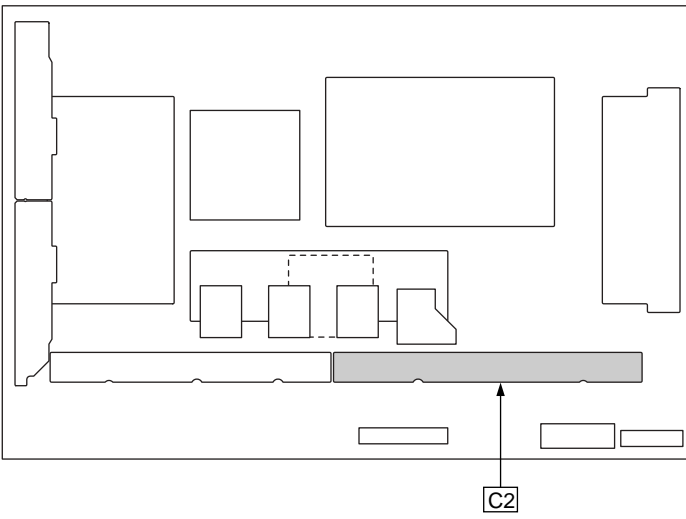
A B C D E F G H I

14.10. C2-Board (37inch)

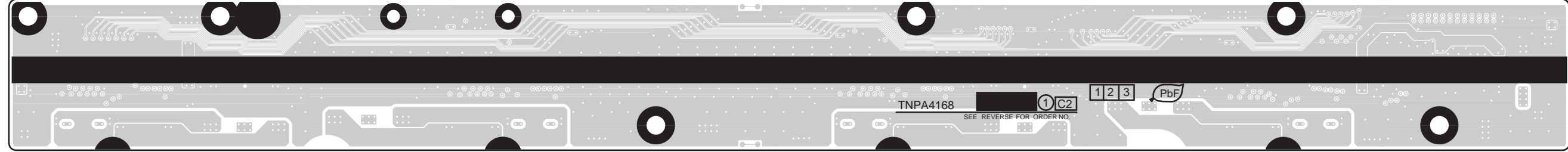


Parts Location

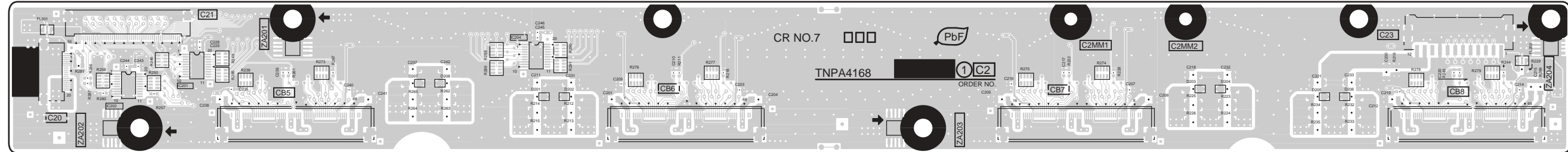
C2-BOARD	
IC	
IC7201	B-2
IC7202	A-1
IC7204	D-2



C2-BOARD (FOIL SIDE)
TXNC21HPTUJ



C2-BOARD (COMPONENT SIDE)
TXNC21HPTUJ



TH-37PR10U
C2-BOARD TXNC21HPTUJ

TH-37PR10U
C2-BOARD TXNC21HPTUJ

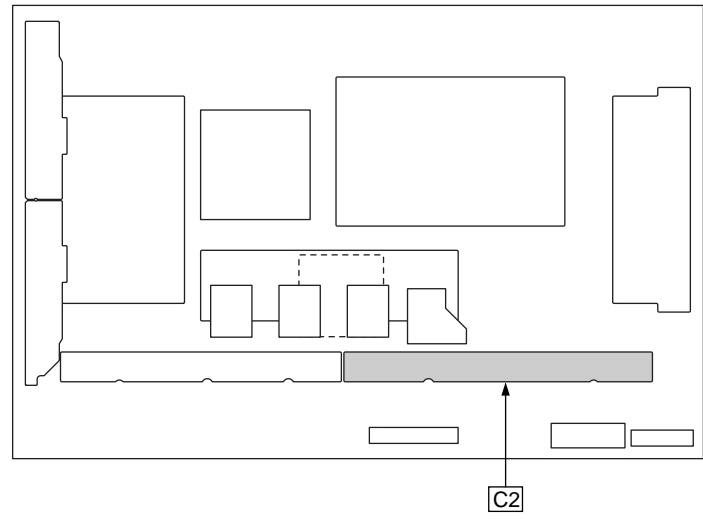
A B C D E F G H I

14.11. C2-Board (42inch)

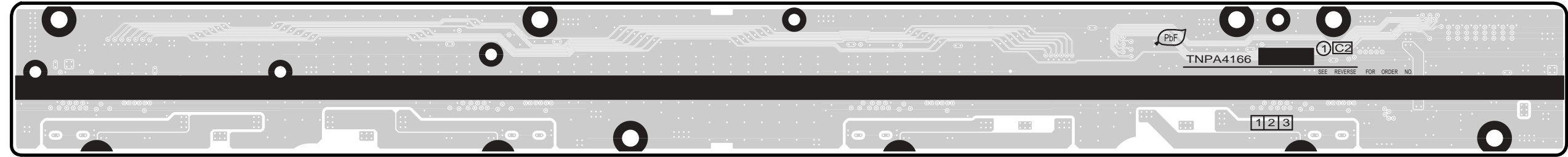
6
5
4
3
2
1

Parts Location

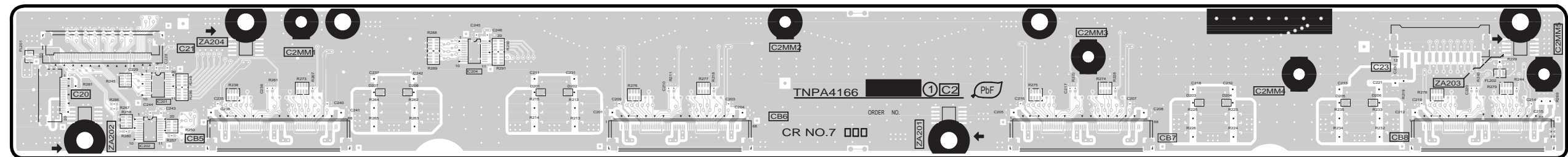
C2-BOARD	
IC	
IC7201	B-1
IC7202	B-2
IC7204	C-2



**C2-BOARD (FOIL SIDE)
TXNC21HNTU**



**C2-BOARD (COMPONENT SIDE)
TXNC21HNTU**



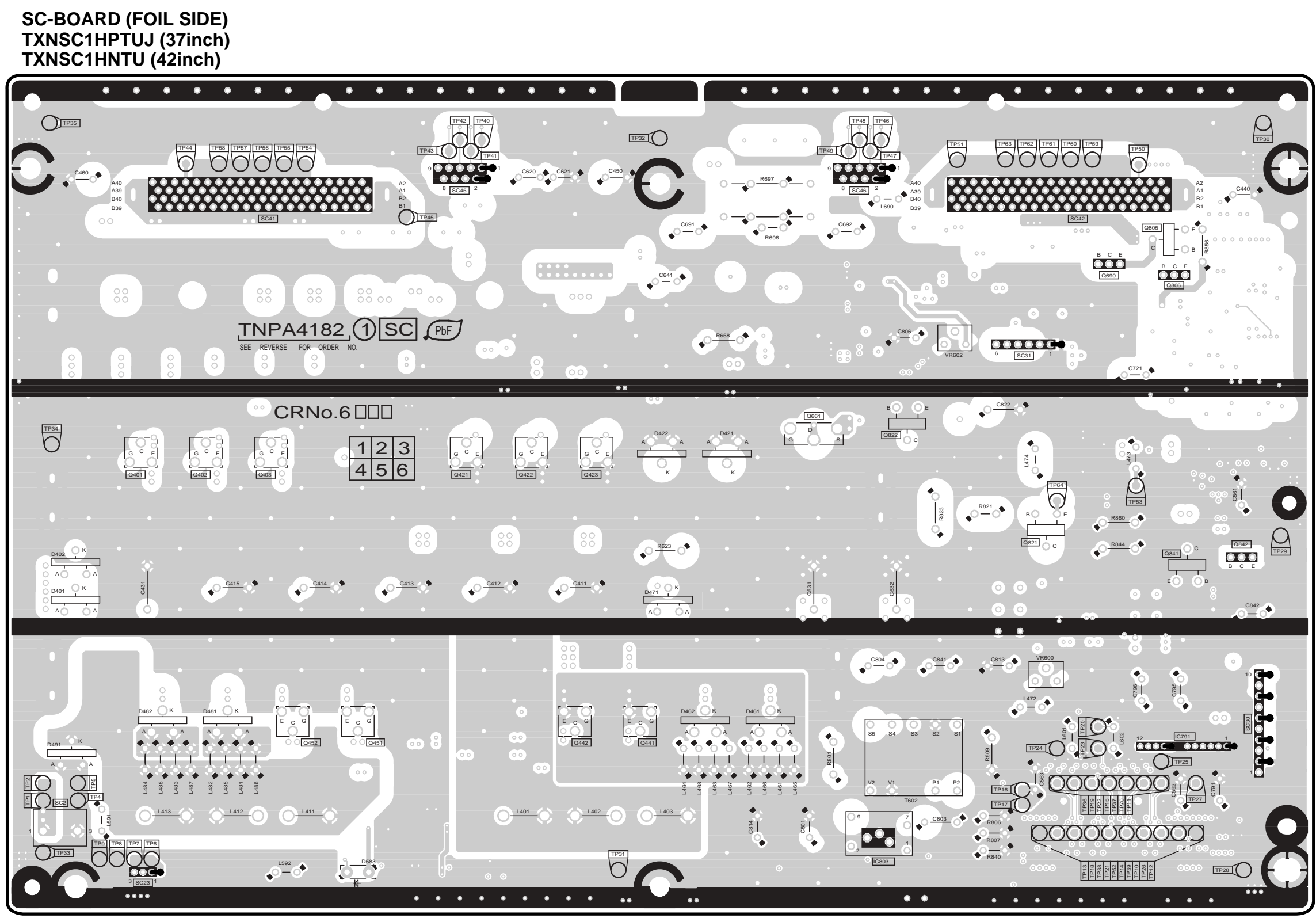
TH-42PR10U
C2-BOARD TXNC21HNTU

TH-42PR10U
C2-BOARD TXNC21HNTU

A B C D E F G H I

14.12. SC-Board

6
5
4
3
2
1



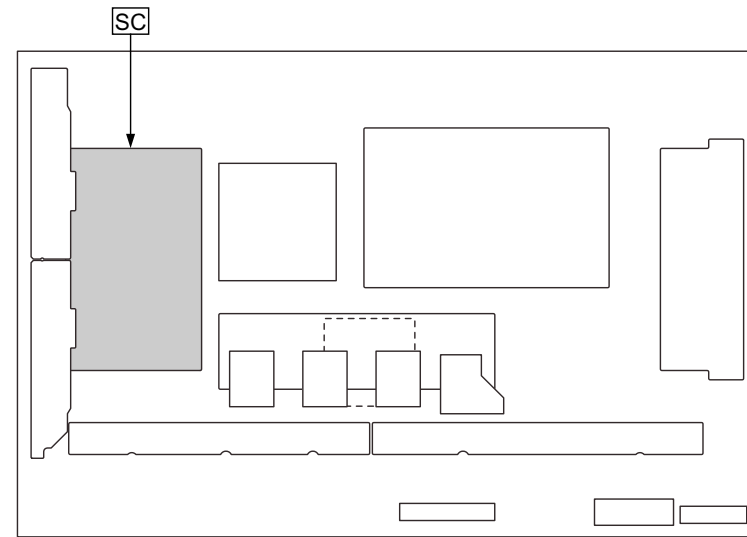
TH-37PR10U
SC-BOARD TXNSC1HPTUJ

TH-42PR10U
SC-BOARD TXNSC1HNTU

TH-37PR10U
SC-BOARD TXNSC1HPTUJ

TH-42PR10U
SC-BOARD TXNSC1HNTU

A B C D E F G H I



Parts Location

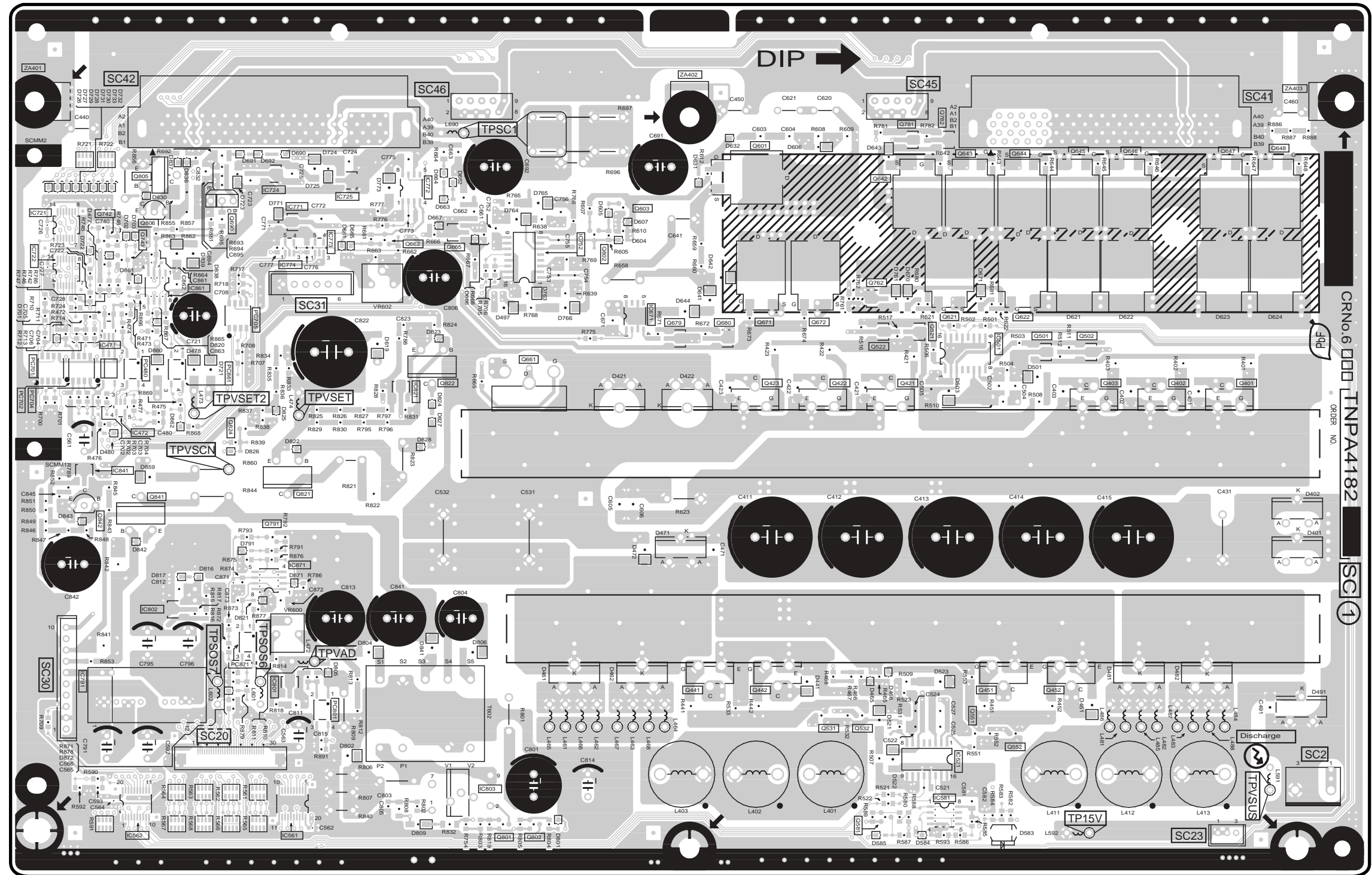
SC-BOARD (FOIL SIDE)					
TRANSISTOR		TP		TP41	D-5
IC6791	H-2	TP1	A-2	TP42	D-5
IC6803	F-1	TP2	A-2	TP43	D-5
TRANSISTOR		TP4	B-2	TP44	B-5
Q6401	B-4	TP5	B-2	TP45	D-5
Q6402	B-4	TP6	B-1	TP46	F-5
Q6403	C-4	TP7	B-1	TP47	F-5
Q6421	D-4	TP8	B-1	TP48	F-5
Q6422	D-4	TP9	B-1	TP49	F-5
Q6423	E-4	TP10	H-1	TP50	H-5
Q6441	E-2	TP11	H-2	TP51	G-5
Q6442	E-2	TP12	H-1	TP52	H-1
Q6451	C-2	TP13	G-1	TP53	H-3
Q6452	C-2	TP14	H-1	TP54	C-5
Q6661	F-4	TP15	H-2	TP55	C-5
Q6690	H-5	TP16	G-2	TP56	C-5
Q6805	H-5	TP17	G-2	TP57	C-5
Q6806	H-5	TP18	G-1	TP58	B-5
Q6821	G-3	TP19	G-2	TP59	G-5
Q6822	F-4	TP20	G-2	TP60	G-5
Q6841	H-3	TP21	G-1	TP61	G-5
Q6842	H-3	TP22	G-2	TP62	G-5
		TP23	G-2	TP63	G-5
		TP24	G-2	TP64	G-3
		TP25	H-2	TP70	H-2
		TP26	H-1	VOLUME	
		TP27	H-2	VR6600	G-2
		TP28	H-1	VR6602	G-4
		TP29	H-3		
		TP30	H-5		
		TP31	E-1		
		TP32	E-5		
		TP33	A-1		
		TP34	A-4		
		TP35	A-5		
		TP36	G-2		
		TP37	H-2		
		TP38	G-1		
		TP39	H-1		
		TP40	D-5		

Parts Location

SC-BOARD (COMPONENT SIDE)							
IC		PHOTO COUPLER		Q6642	F-5	TP	
IC6471	B-4	PC6480	B-4	Q6643	F-5	TP15V	G-1
IC6472	B-3	PC6701	A-4	Q6644	G-5	TPSC1	D-5
IC6501	G-4	PC6702	A-4	Q6645	G-5	TPSOS6	C-2
IC6521	F-2	PC6704	A-4	Q6646	G-5	TPSOS7	B-2
IC6561	C-1	PC6705	B-4	Q6647	H-5	TPVAD	C-2
IC6562	B-1	PC6801	C-2	Q6648	H-5	TPVSCN	B-3
IC6581	F-1	PC6861	B-4	Q6661	D-4	TPVSET	C-4
IC6671	E-4	PC6871	B-2	Q6662	C-4	TPVSET2	B-4
IC6721	A-5			Q6665	D-4	TPVSUS	H-1
IC6722	A-4	TRANSISTOR		Q6671	E-5	VOLUME	
IC6724	C-5	Q6401	H-4	Q6672	F-4	VR6600	C-2
IC6725	C-5	Q6402	H-4	Q6679	E-5	VR6602	C-4
IC6752	D-4	Q6403	G-4	Q6680	E-5		
IC6771	C-5	Q6421	F-4	Q6690	B-5		
IC6772	C-5	Q6422	F-4	Q6742	B-4		
IC6773	C-4	Q6423	E-4	Q6743	B-4		
IC6774	C-4	Q6441	E-2	Q6762	F-4		
IC6791	B-2	Q6442	E-2	Q6781	F-5		
IC6801	C-2	Q6451	G-1	Q6782	F-5		
IC6802	B-2	Q6452	G-1	Q6791	C-3		
IC6803	D-1	Q6501	G-4	Q6801	D-1		
IC6821	C-4	Q6502	G-4	Q6802	D-1		
IC6841	B-3	Q6521	F-4	Q6805	B-5		
IC6861	B-4	Q6522	F-4	Q6806	B-5		
IC6871	C-3	Q6531	F-2	Q6821	C-3		
		Q6532	F-2	Q6822	D-4		
		Q6551	G-1	Q6824	B-3		
		Q6552	G-1	Q6841	B-3		
		Q6581	F-1	Q6842	B-3		
		Q6601	E-6				
		Q6602	D-4				
		Q6603	E-6				
		Q6621	F-4				
		Q6622	G-4				

SC-BBOARD (COMPONENT SIDE)
TXNSC1HPTUJ (37inch)
TXNSC1HNTU (42inch)

6
5
4
3
2
1



CRN0.6 INPA4182 SC1

TH-37PR10U
SC-BBOARD TXNSC1HPTUJ

TH-42PR10U
SC-BBOARD TXNSC1HNTU

TH-37PR10U
SC-BBOARD TXNSC1HPTUJ

TH-42PR10U
SC-BBOARD TXNSC1HNTU

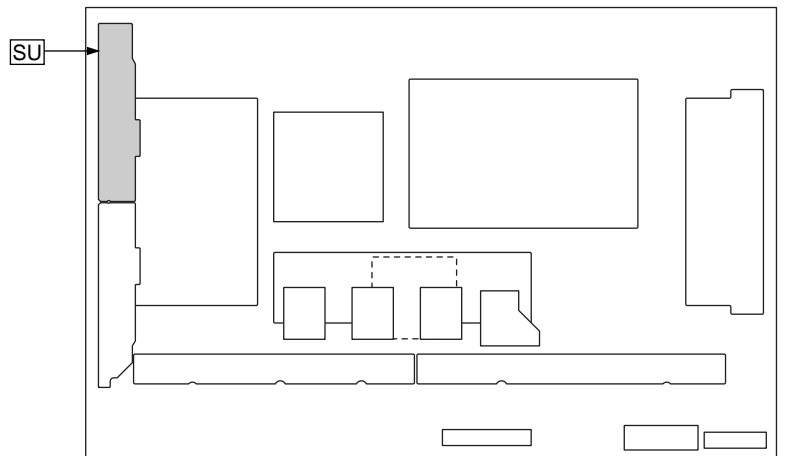
A B C D E F G H

14.13. SU-Board (37inch)

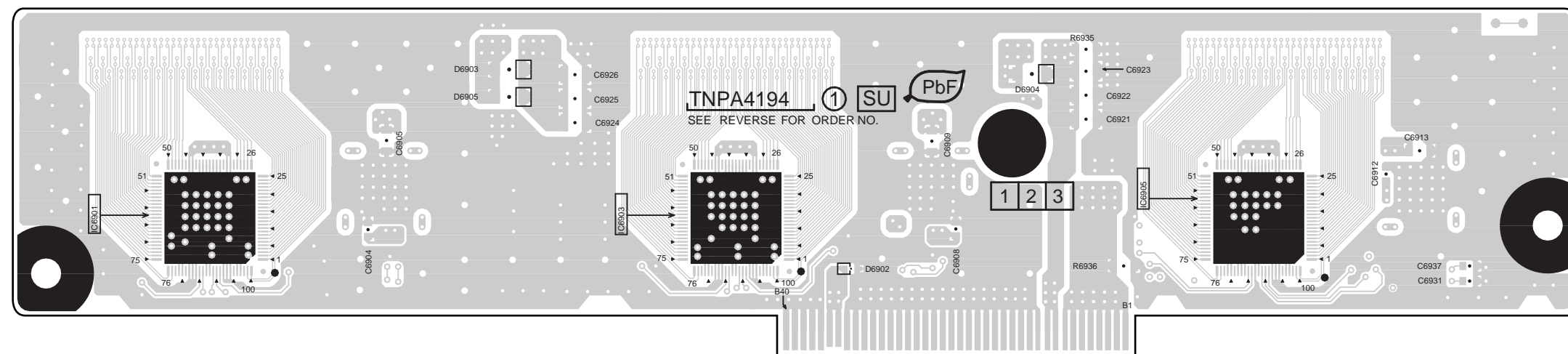
6
5
4
3
2
1

Parts Location

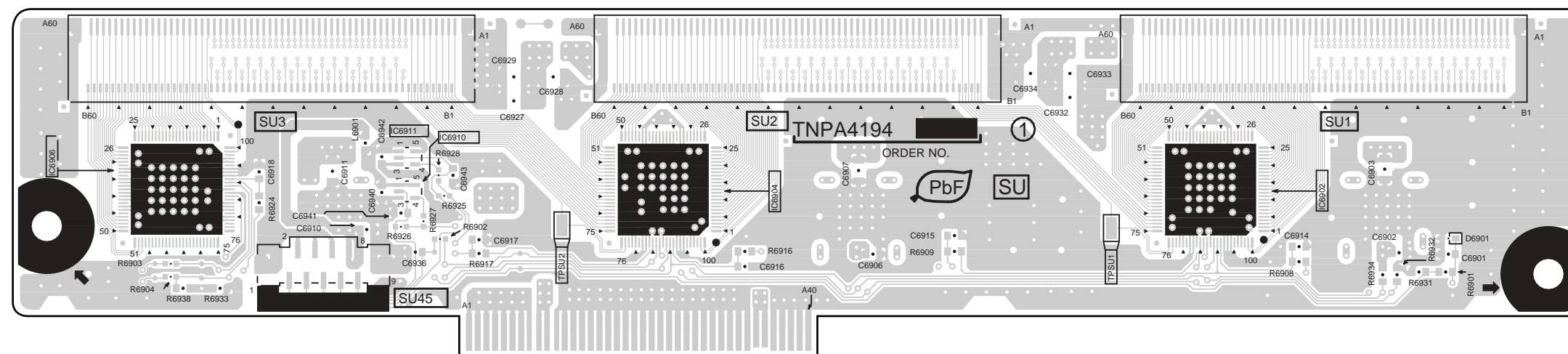
SU-BOARD	
IC	
IC6901	A-3
IC6902	G-2
IC6903	D-3
IC6904	D-4
IC6905	F-3
IC6906	A-2
IC6910	C-2
IC6911	C-2
TP	
TPSU1	F-1
TPSU2	C-1



**SU-BOARD (FOIL SIDE)
TXNSU1HPTUJ**



**SU-BOARD (COMPONENT SIDE)
TXNSU1HPTUJ**



TH-37PR10U
SU-BOARD TXNSU1HPTUJ

TH-37PR10U
SU-BOARD TXNSU1HPTUJ

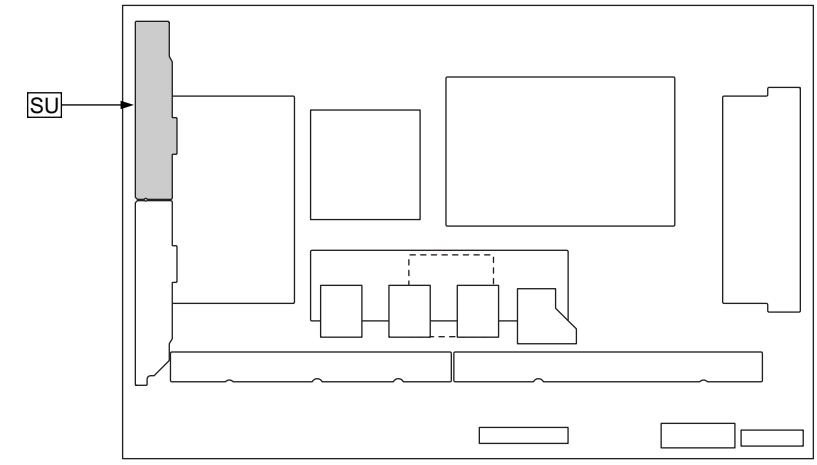
A B C D E F G H I

14.14. SU-Board (42inch)

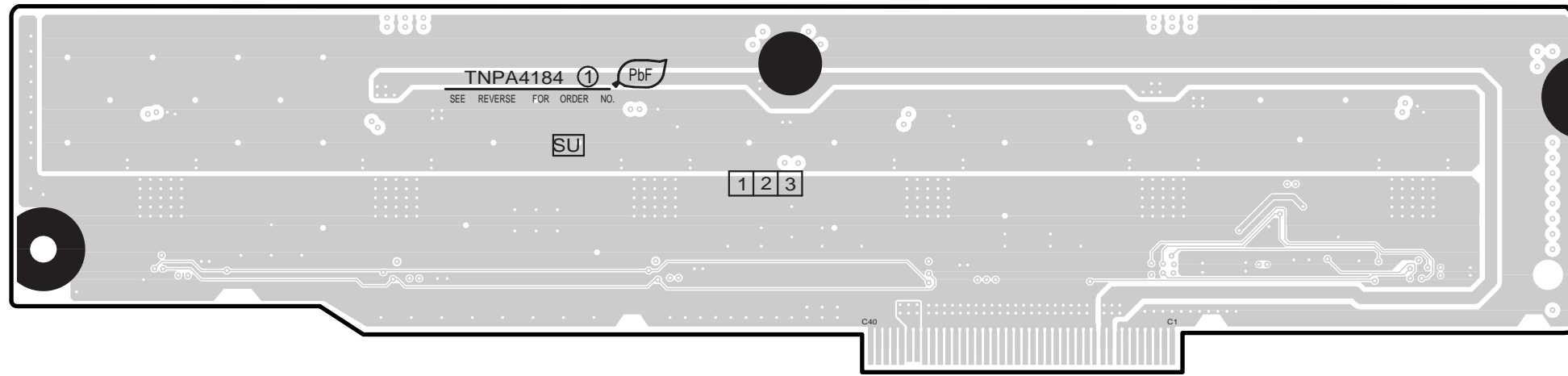
6
5
4
3
2
1
A B C D E F G H I

Parts Location

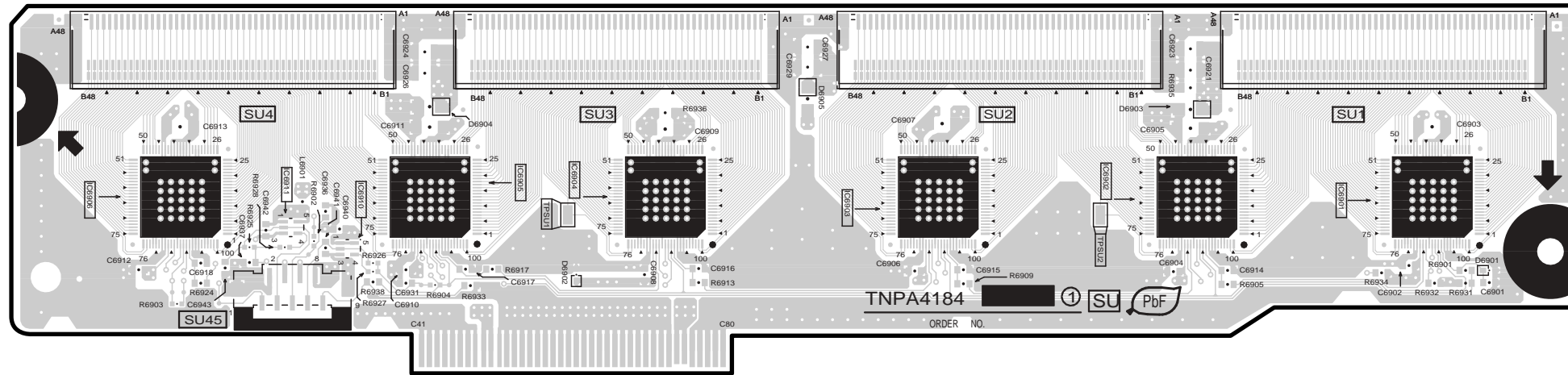
SU-BOARD	
IC	
IC6901	G-2
IC6902	F-2
IC6903	E-2
IC6904	D-2
IC6905	C-2
IC6906	B-2
IC6910	B-2
IC6911	B-2
TP	
TPSU1	C-2
TPSU2	F-2



**SU-BOARD (FOIL SIDE)
TXNSU1HNTU**



**SU-BOARD (COMPONENT SIDE)
TXNSU1HNTU**



TH-42PR10U
SU-BOARD TXNSU1HNTU

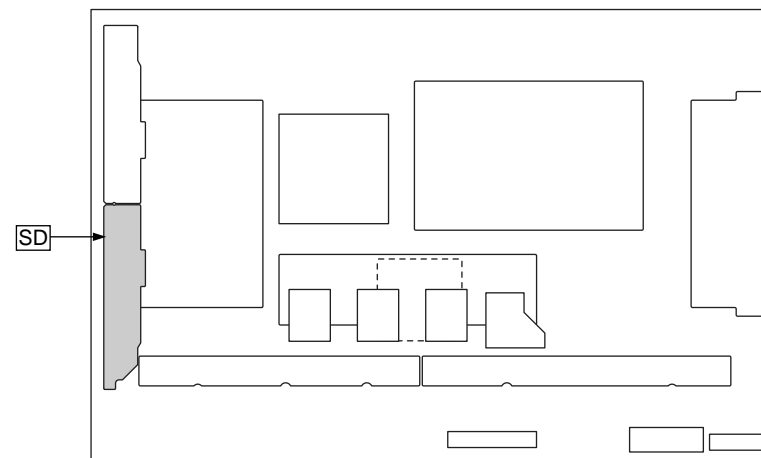
TH-42PR10U
SU-BOARD TXNSU1HNTU

14.15. SD-Board (37inch)

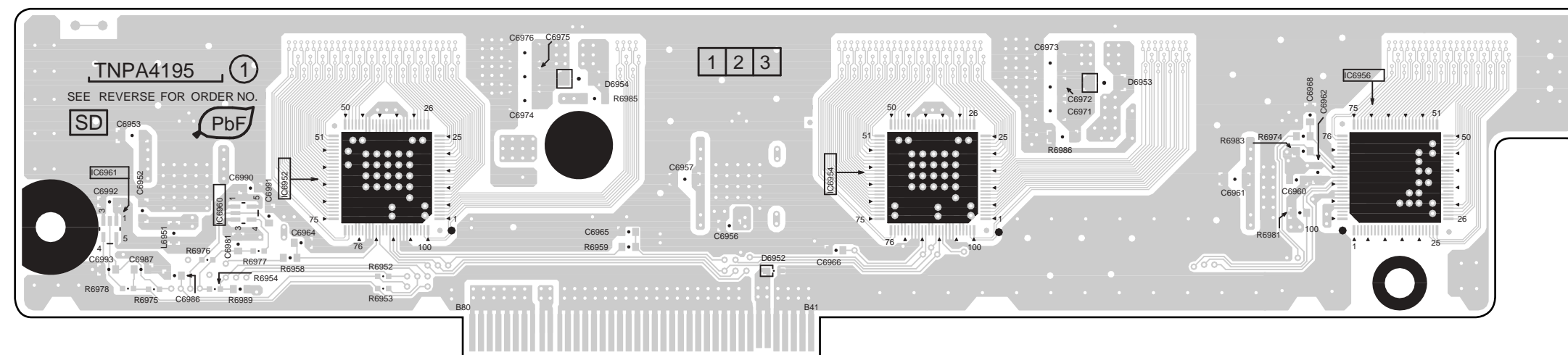
6
5
4
3
2
1

Parts Location

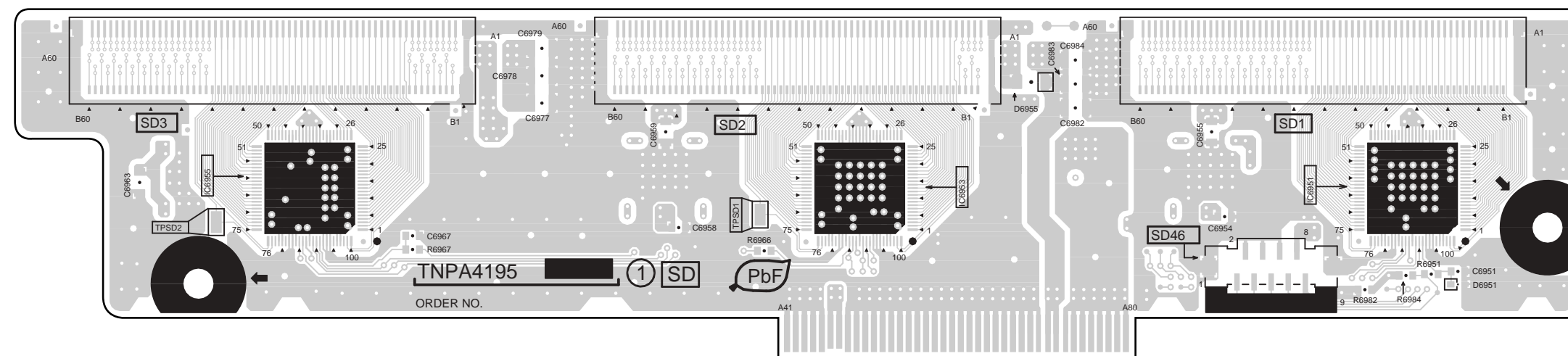
SD-BOARD	
IC	
IC6951	G-1
IC6952	B-4
IC6953	E-1
IC6954	E-4
IC6955	B-2
IC6956	G-4
IC6960	B-4
IC6961	A-4
TP	
TPSD1	D-1
TPSD2	B-1



**SD-BOARD (FOIL SIDE)
TXNSD1HPTUJ**



**SD-BOARD (COMPONENT SIDE)
TXNSD1HPTUJ**



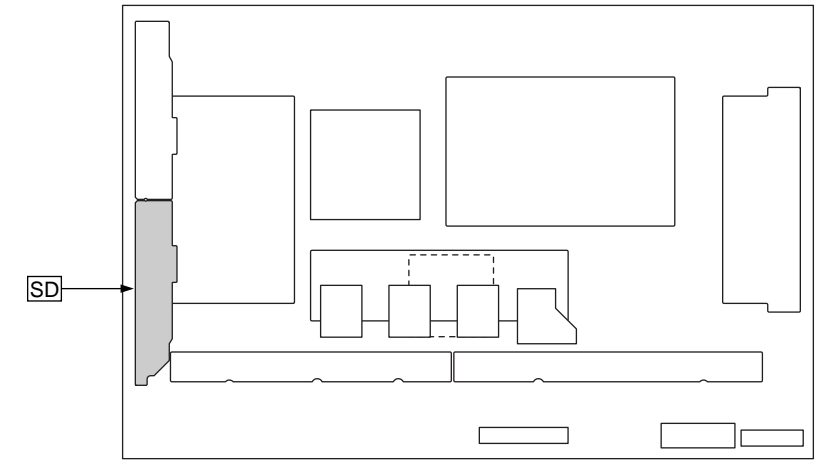
A B C D E F G H I

14.16. SD-Board (42inch)

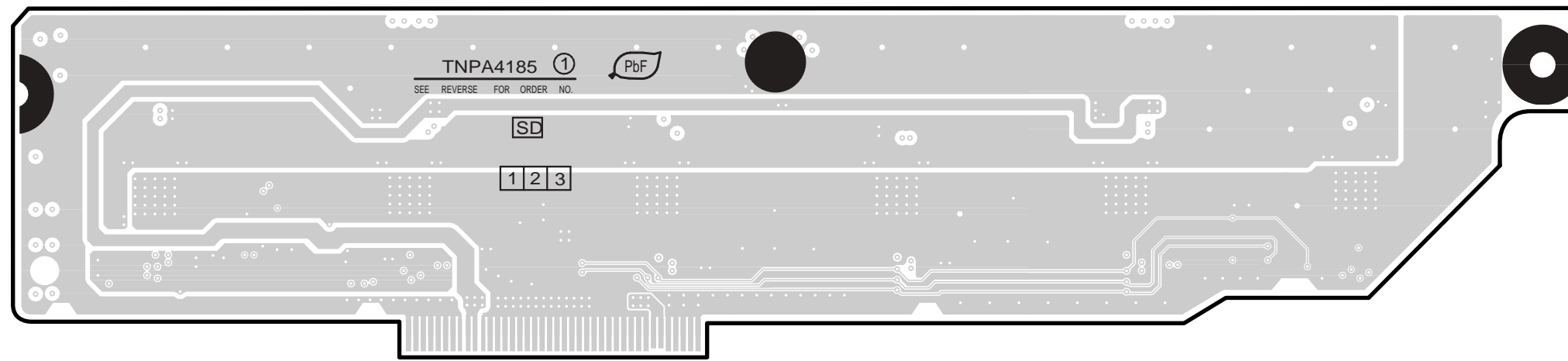
6
5
4
3
2
1
A B C D E F G H I

Parts Location

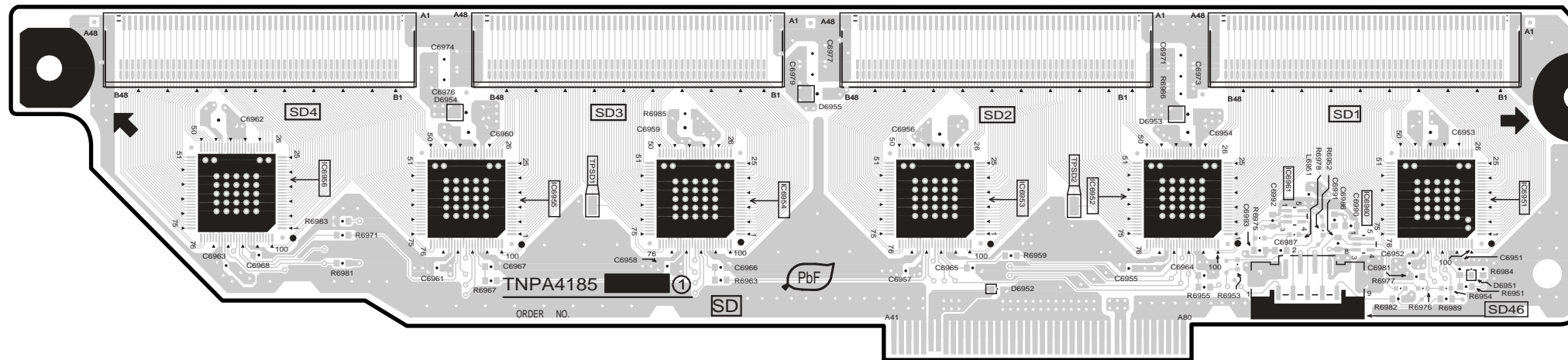
SD-BOARD	
IC	
IC6951	G-2
IC6952	F-2
IC6953	E-2
IC6954	D-2
IC6955	C-2
IC6956	B-2
IC6960	G-2
IC6961	G-2
TP	
TPSD1	D-2
TPSD2	F-2



SD-BOARD (FOIL SIDE)
TXNSD1HNTU



SD-BOARD (COMPONENT SIDE)
TXNSD1HNTU



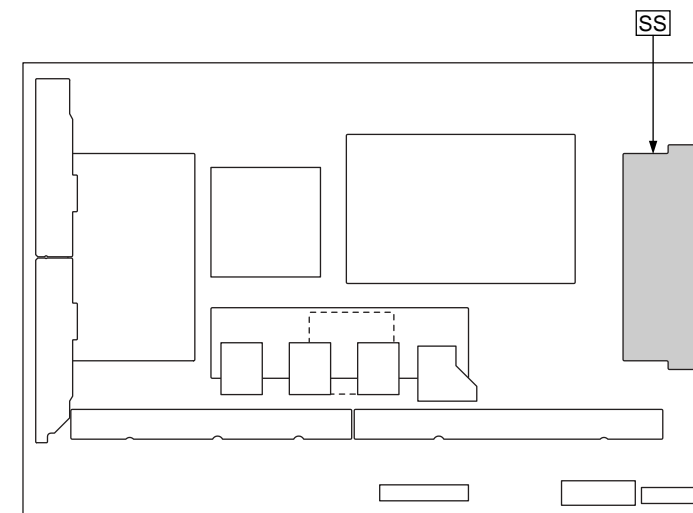
TH-42PR10U
SD-BOARD TXNSD1HNTU

TH-42PR10U
SD-BOARD TXNSD1HNTU

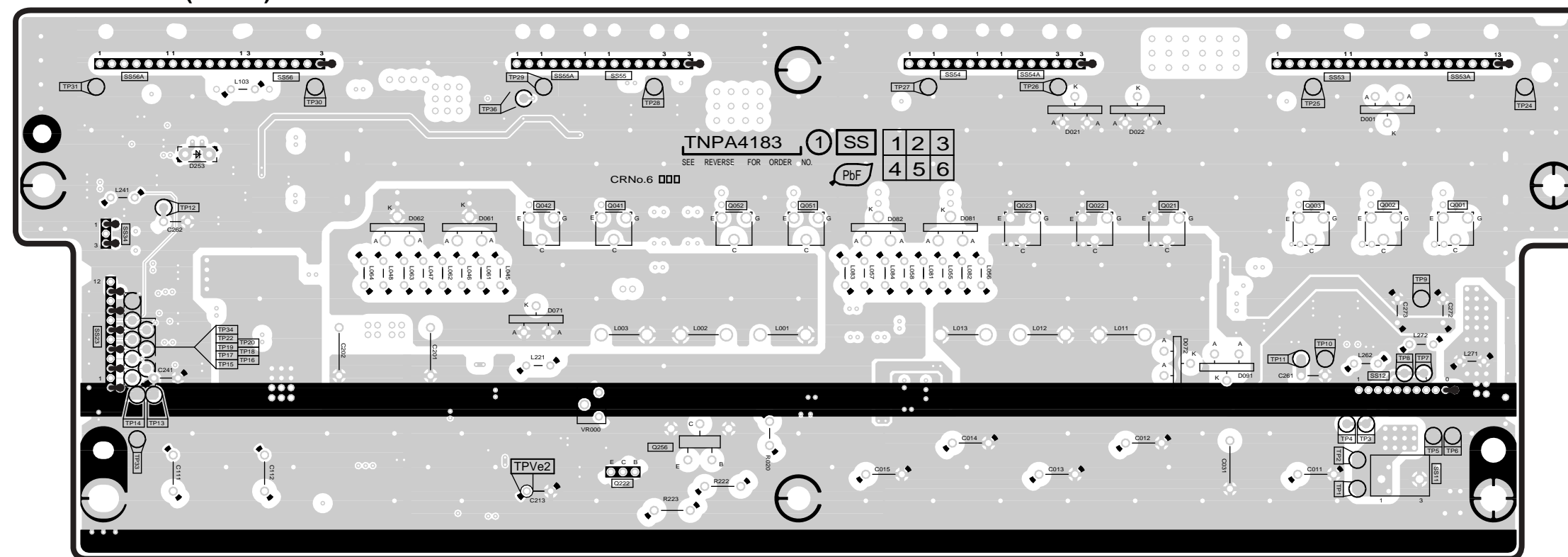
14.17. SS-Board

Parts Location

SS-BOARD (FOIL SIDE)							
TRANSISTOR		TP		TP22	B-2	VOLUME	
Q6001	H-3	TP1	H-1	TP24	H-3	VR6000	D-2
Q6002	H-3	TP2	H-1	TP25	G-3		
Q6003	G-3	TP3	H-1	TP26	F-3		
Q6021	G-3	TP4	H-1	TP27	F-3		
Q6022	F-3	TP5	H-1	TP28	D-3		
Q6023	F-3	TP6	H-1	TP29	D-3		
Q6041	D-3	TP7	H-2	TP30	C-3		
Q6042	D-3	TP8	H-2	TP31	B-3		
Q6051	E-3	TP9	H-2	TP33	B-2		
Q6052	E-3	TP10	G-2	TP34	B-2		
Q6222	D-1	TP11	G-2	TP36	D-3		
Q6256	D-1	TP12	B-3	TPVe2	D-1		
		TP13	B-2				
		TP14	B-2				
		TP15	B-2				
		TP16	B-2				
		TP17	B-2				
		TP18	B-2				
		TP19	B-2				
		TP20	B-2				



SS-BOARD (FOIL SIDE) TXNSS1HPTUJ (37inch) TXNSS1HNTU (42inch)



TH-37PR10U
SS-BOARD TXNSS1HPTUJ

TH-42PR10U
SS-BOARD TXNSS1HNTU

TH-37PR10U
SS-BOARD TXNSS1HPTUJ

TH-42PR10U
SS-BOARD TXNSS1HNTU


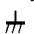
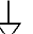


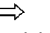
15 Block and Schematic Diagram

15.1. Schematic Diagram Notes

Important Safety Notice

Components identified by \triangle mark have special characteristics important for safety. When replacing any of these components, use only manufacture's specified parts.

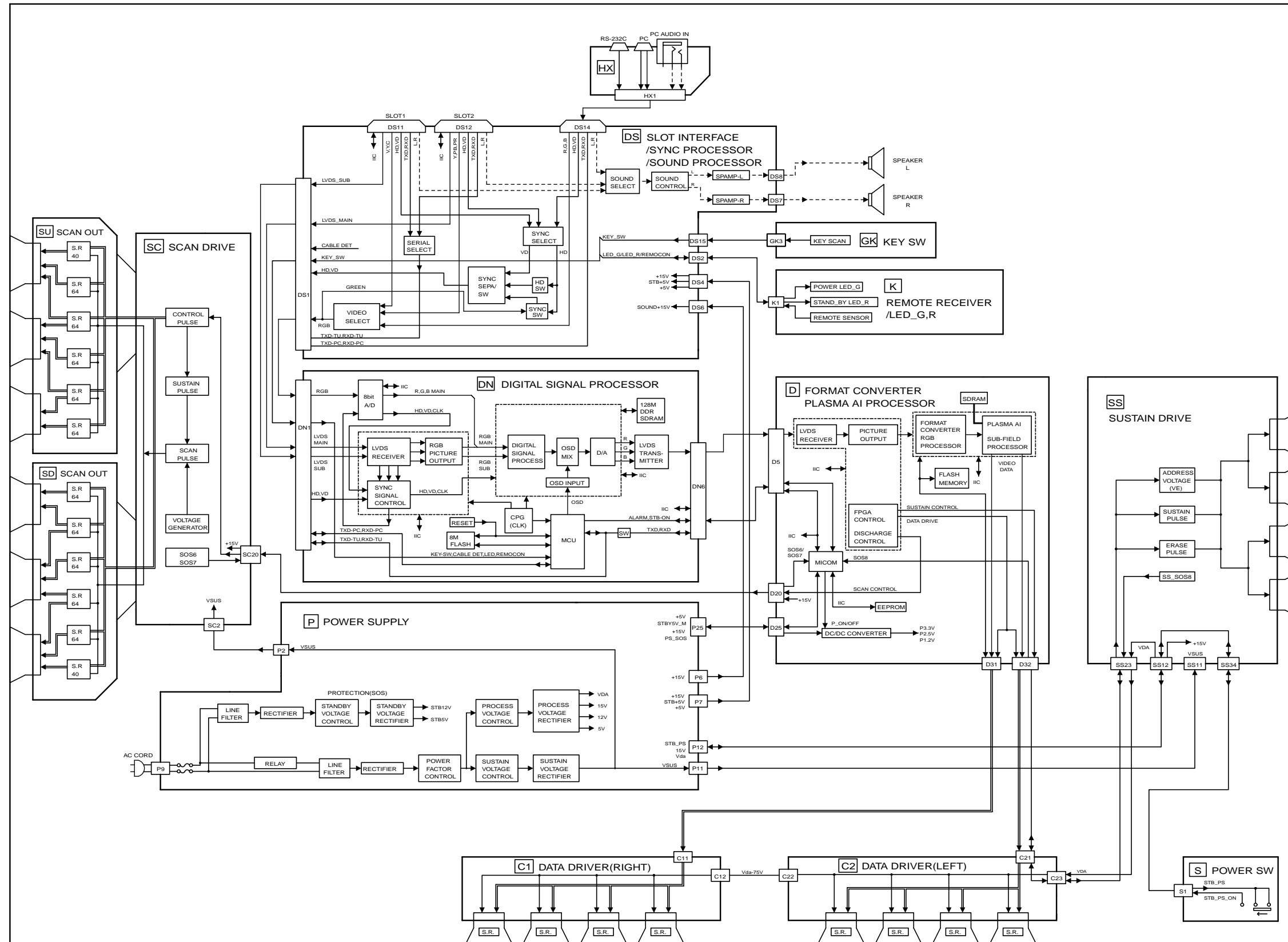
Notes:

1. **Resistor**
Unit of resistance is OHM [Ω] (K=1,000, M=1,000,000).
2. **Capacitor**
Unit of capacitance is μ F, unless otherwise noted.
3. **Coil**
Unit of inductance is H, unless otherwise noted.
4. **Test Point**
 : Test Point position
5. **Earth Symbol**
 : Chassis Earth (Cold)  : Line Earth (Hot)
6. **Voltage Measurement**
Voltage is measured by a DC voltmeter.
Conditions of the measurement are the following:
Power Source AC120V, 50/60Hz
Receiving Signal Colour Bar signal (RF)
All customer's controls Maximum positions
7. When arrow mark () is found, connection is easily found from the direction of arrow.
8. Indicates the major signal flow. : Video  Audio 
9. This schematic diagram is the latest at the time of printing and subject to change without notice.

Remarks:

1. The Power Circuit contains a circuit area which uses a separate power supply to isolate the earth connection.
The circuit is defined by HOT and COLD indications in the schematic diagram. Take the following precautions.
All circuits, except the Power Circuit, are cold.
Precautions
 - a. Do not touch the hot part or the hot and cold parts at the same time or you may be shocked.
 - b. Do not short- circuit the hot and cold circuits or a fuse may blow and parts may break.
 - c. Do not connect an instrument, such as an oscilloscope, to the hot and cold circuits simultaneously or a fuse may blow.
Connect the earth of instruments to the earth connection of the circuit being measured.
 - d. Make sure to disconnect the power plug before removing the chassis.

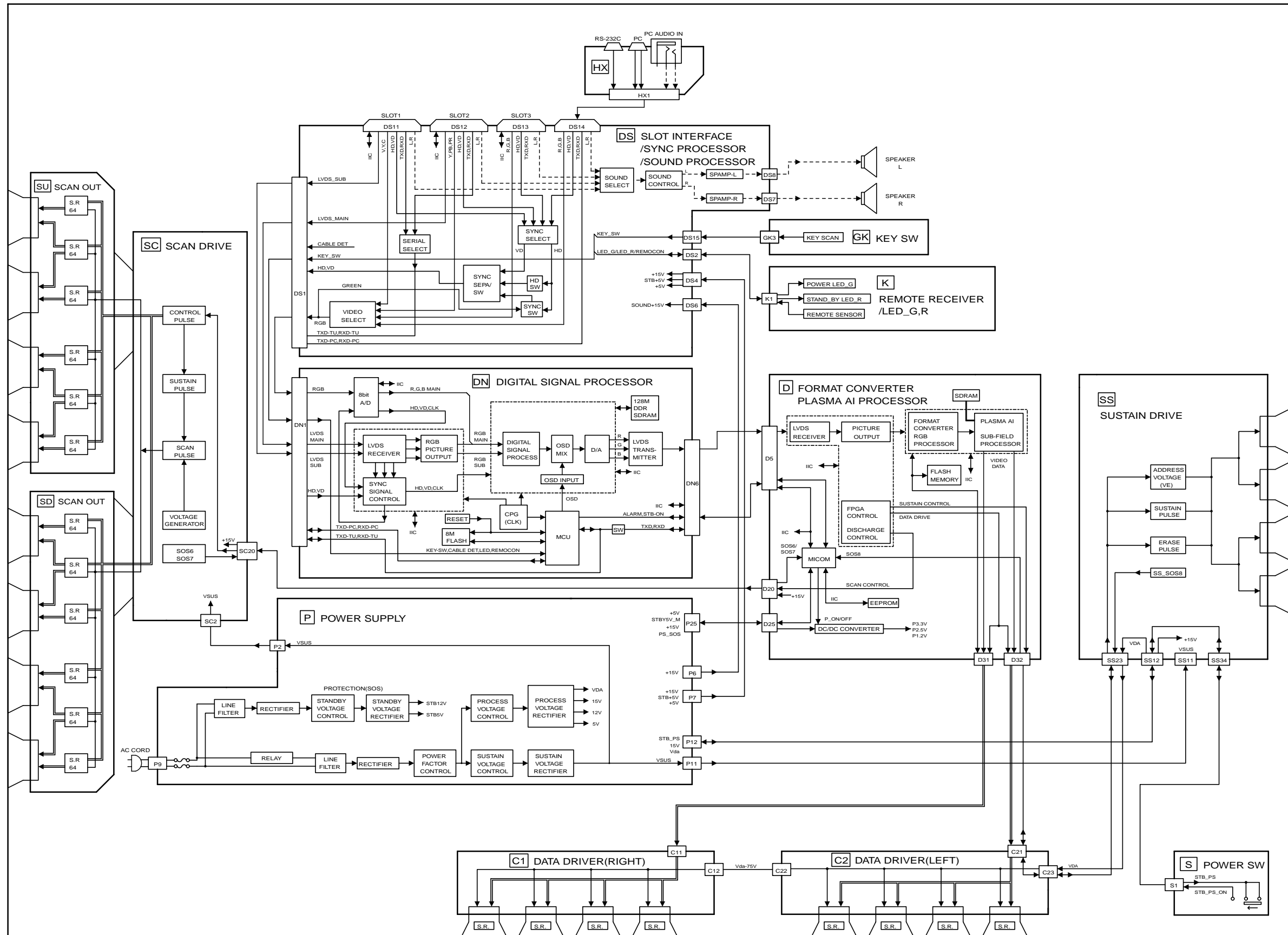
15.2. Main Block Diagram (37inch)



TH-37PR10U
Main Block Diagram

TH-37PR10U
Main Block Diagram

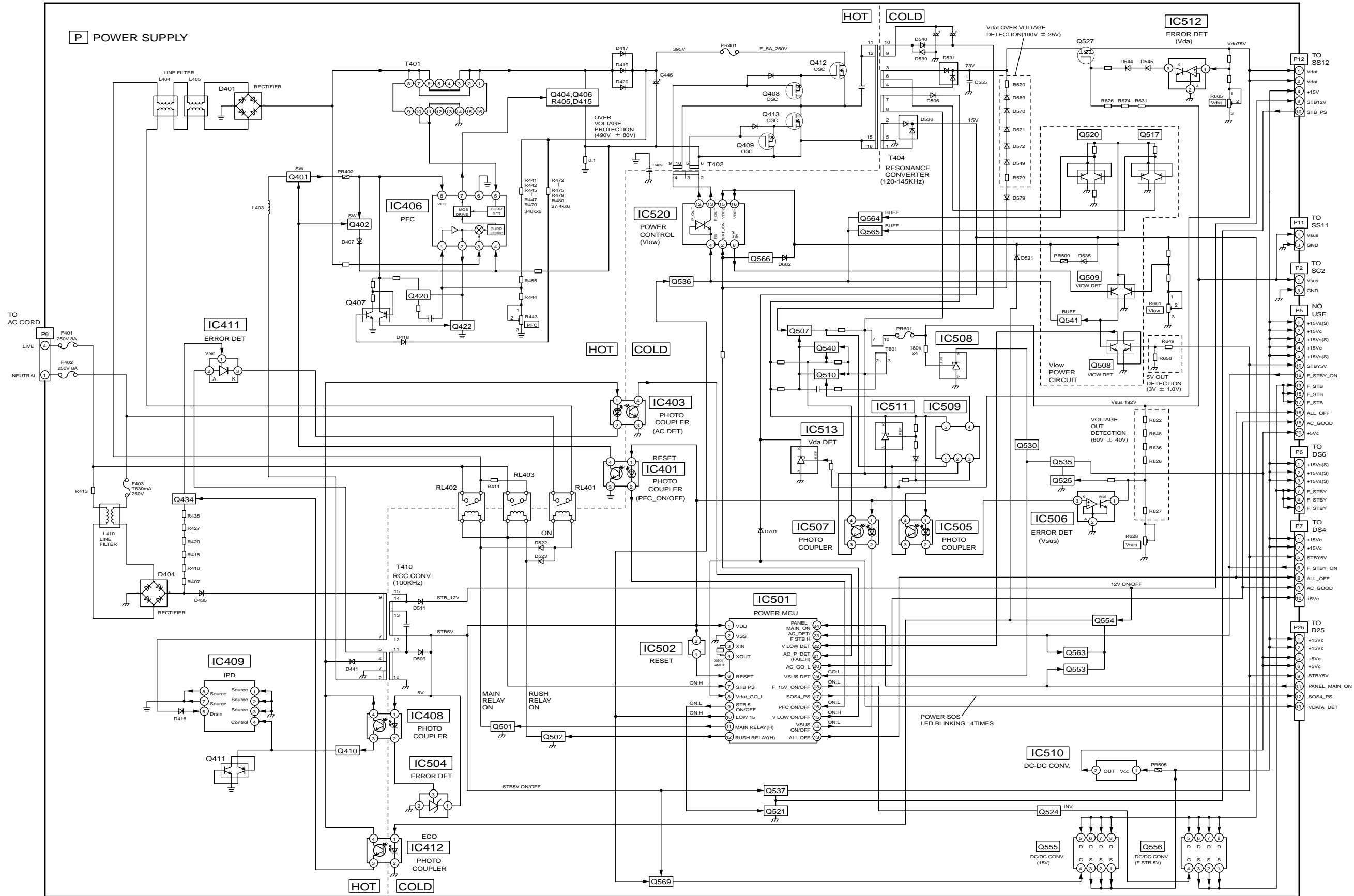
15.3. Main Block Diagram (42 inch)



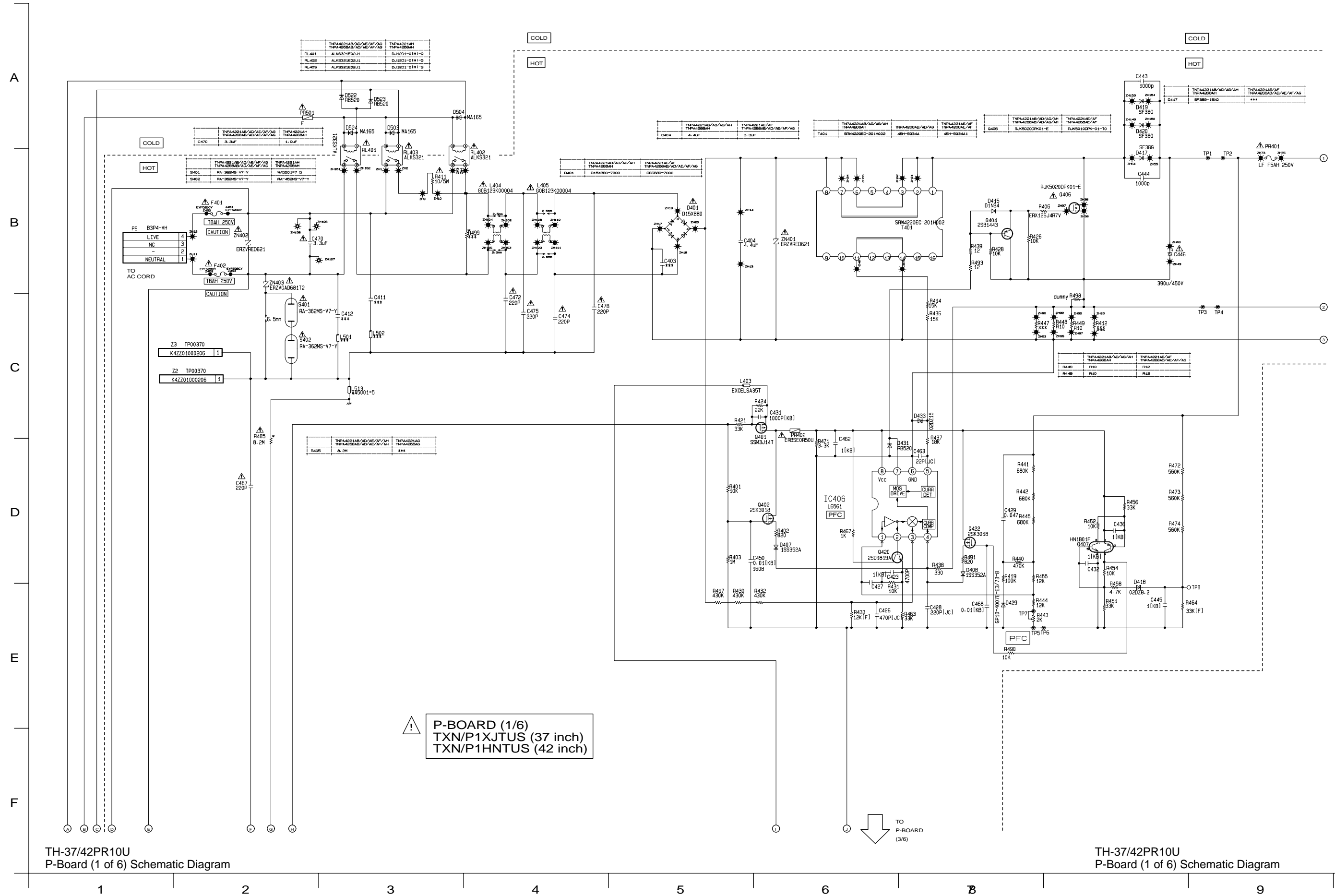
TH-42PR10U
Main Block Diagram

TH-42PR10U
Main Block Diagram

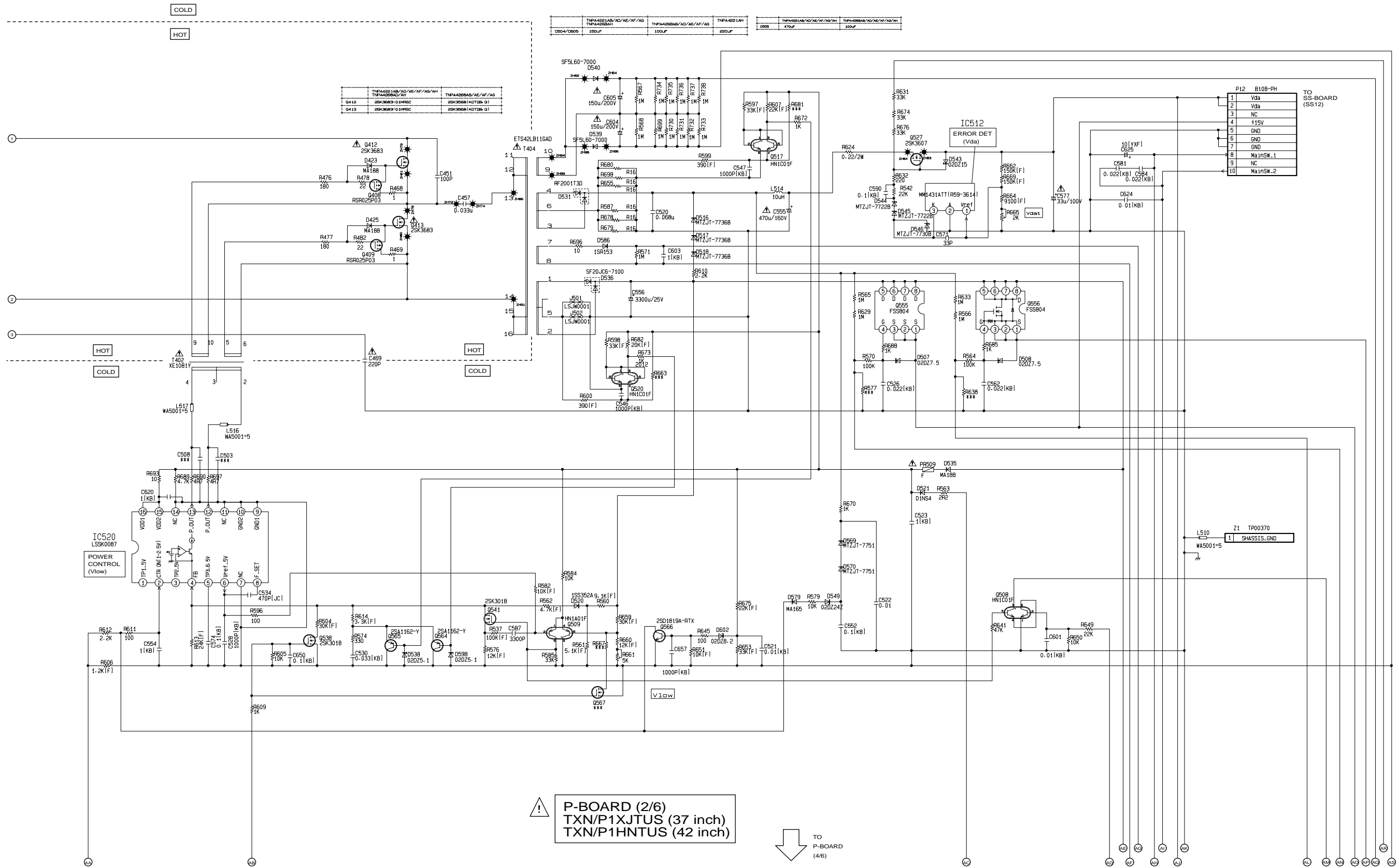
15.4. P-Board Block Diagram



15.5. P-Board (1 of 6) Schematic Diagram



15.6. P-Board (2 of 6) Schematic Diagram



! P-BOARD (2/6)
TXN/P1XJTUS (37 inch)
TXN/P1HNTUS (42 inch)

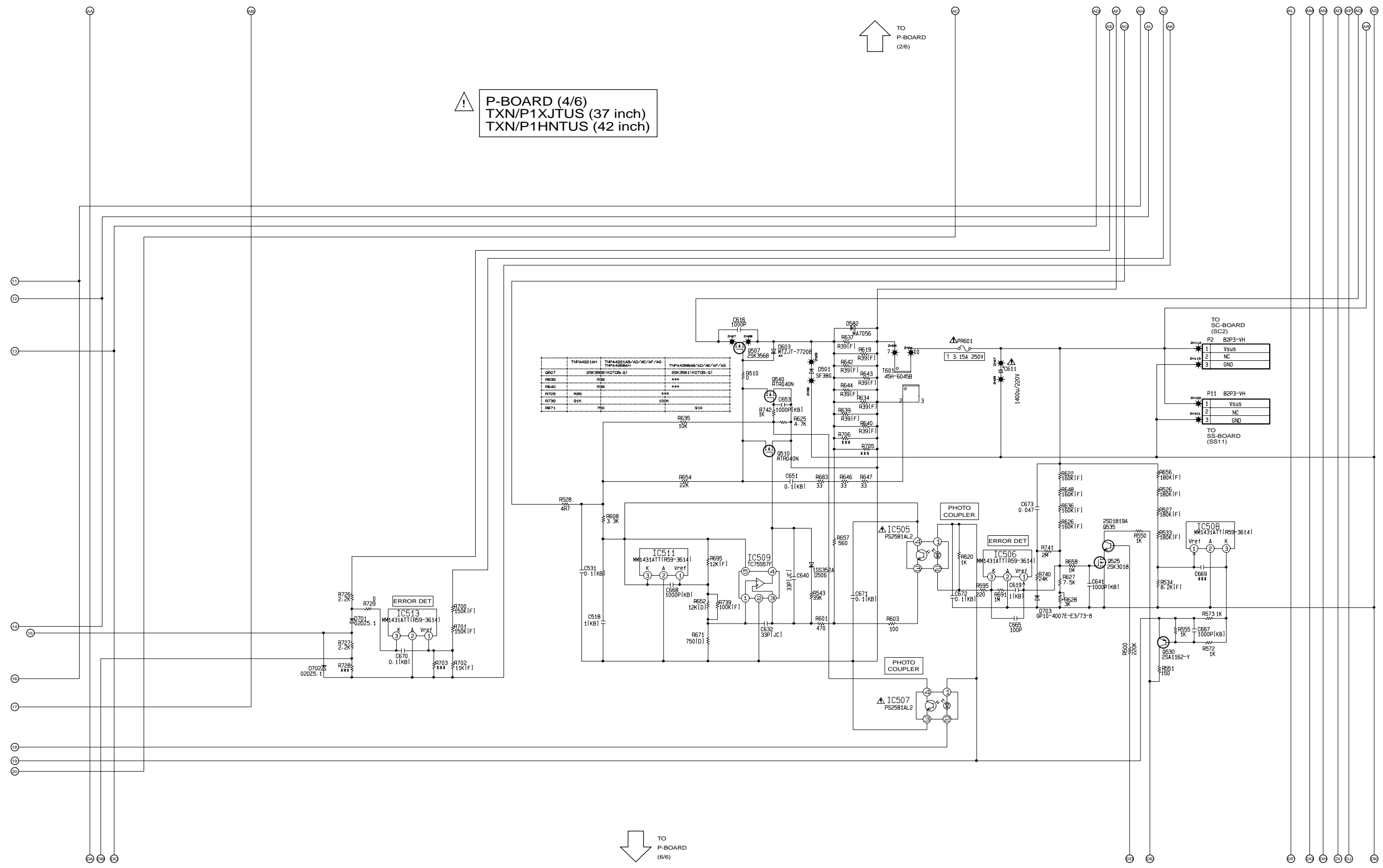
TO P-BOARD (4/6)

TH-37/42PR10U
P-Board (2 of 6) Schematic Diagram

TH-37/42PR10U
P-Board (2 of 6) Schematic Diagram

15.8. P-Board (4 of 6) Schematic Diagram

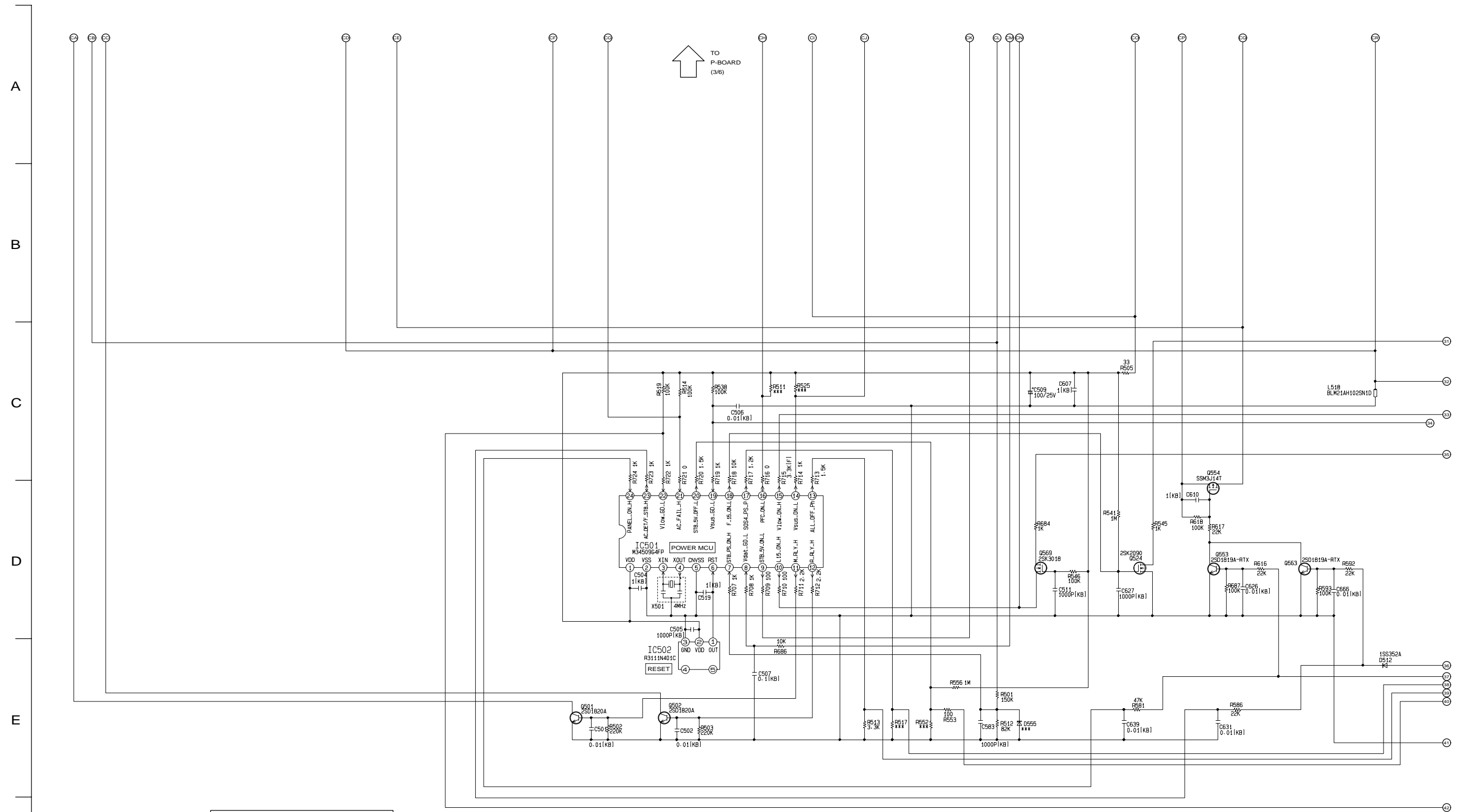
⚠ P-BOARD (4/6)
 TXN/P1XJTUS (37 inch)
 TXN/P1HNTUS (42 inch)



TH-37/42PR10U
P-Board (4 of 6) Schematic Diagram

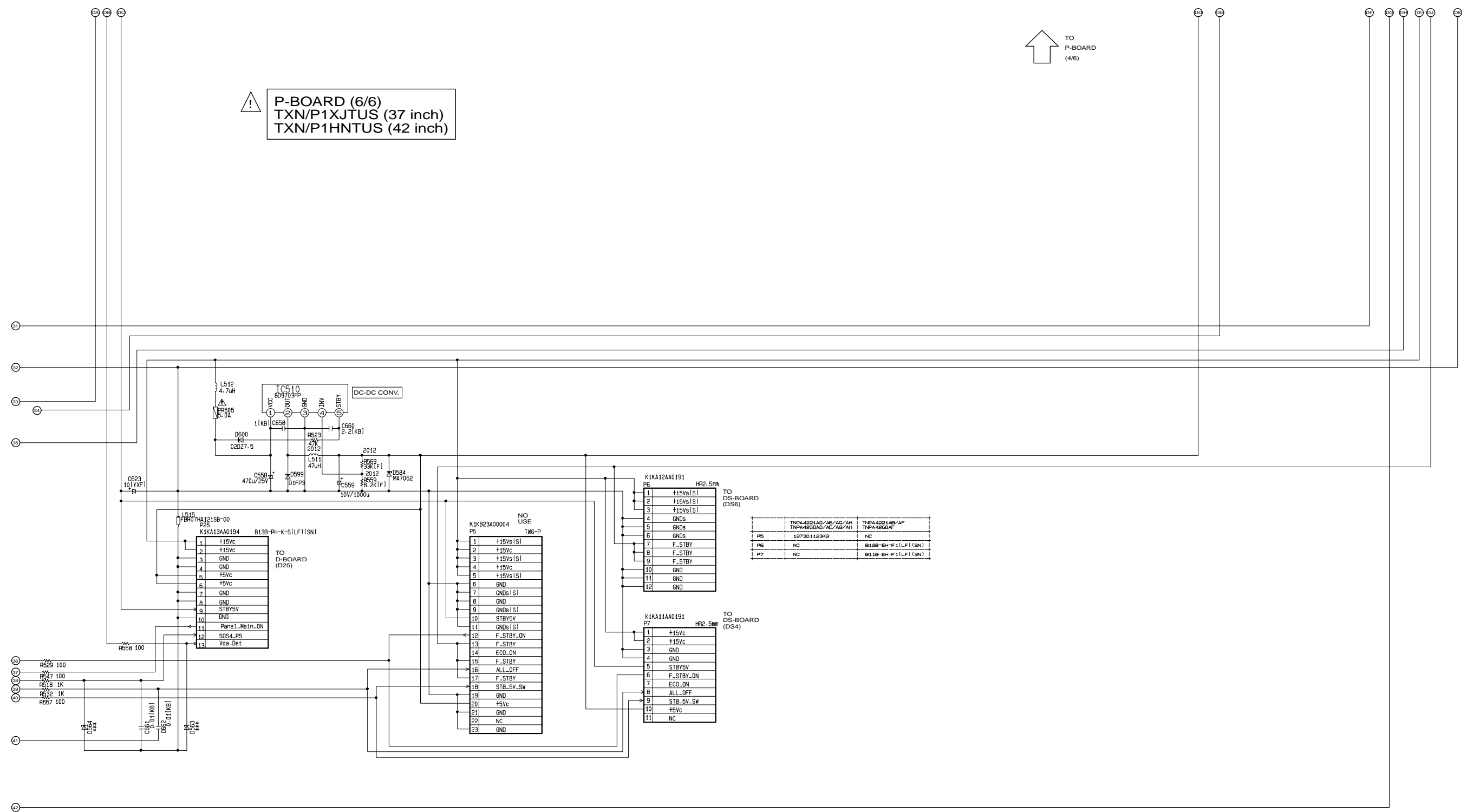
TH-37/42PR10U
P-Board (4 of 6) Schematic Diagram

15.9. P-Board (5 of 6) Schematic Diagram



⚠ P-BOARD (5/6)
TXN/P1XJTUS (37 inch)
TXN/P1HNTUS (42 inch)

15.10. P-Board (6 of 6) Schematic Diagram



TH-37/42PR10U
P-Board (6 of 6) Schematic Diagram

TH-37/42PR10U
P-Board (6 of 6) Schematic Diagram

10

11

12

13

14

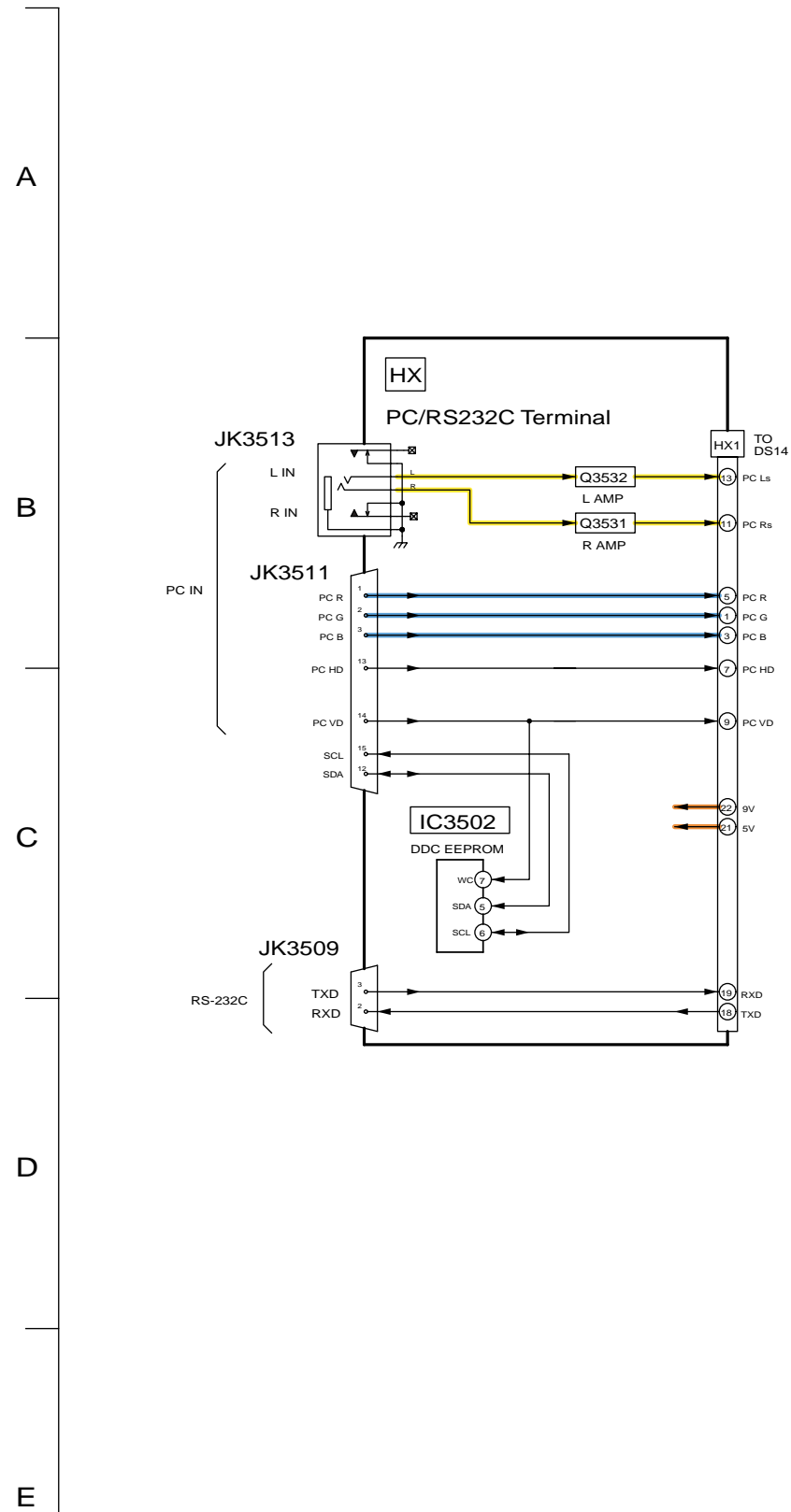
15

16

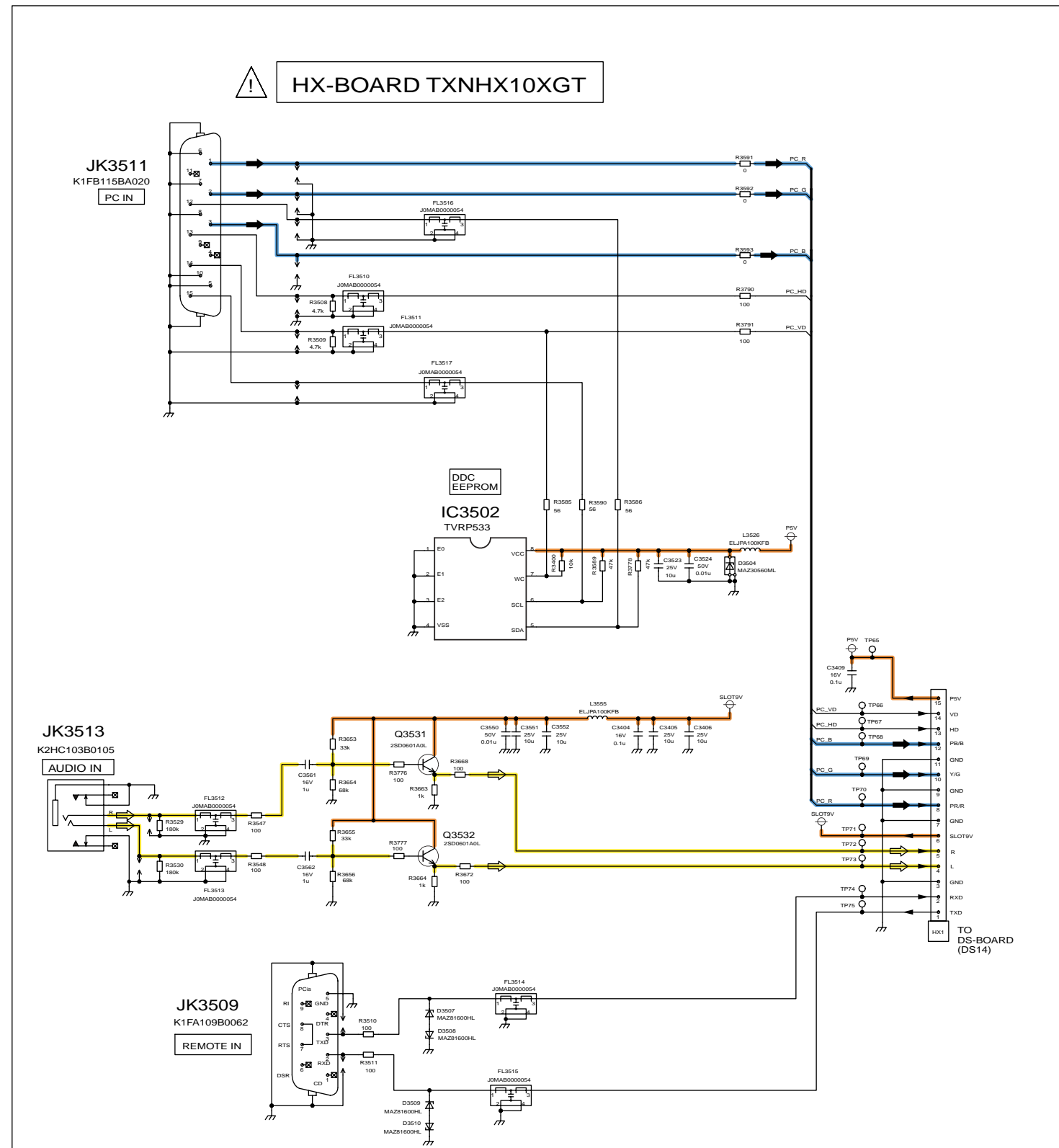
17

18

15.11. HX-Board Block and Schematic Diagram



TH-37/42PR10U
HX-Board Block and Schematic Diagram



TH-37/42PR10U
HX-Board Block and Schematic Diagram

1

2

3

4

5

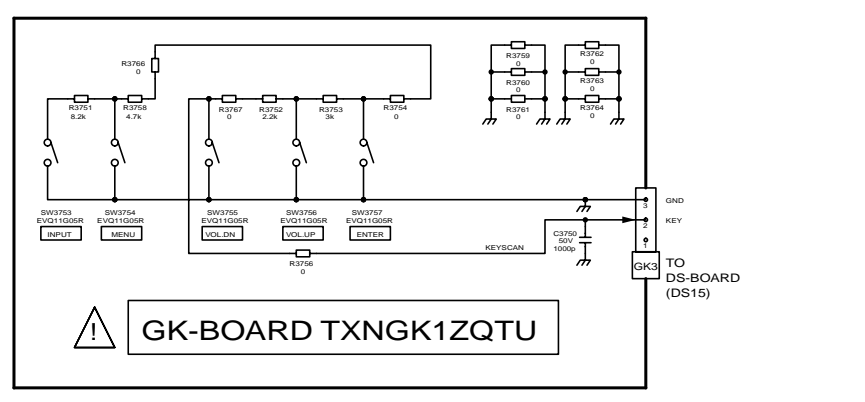
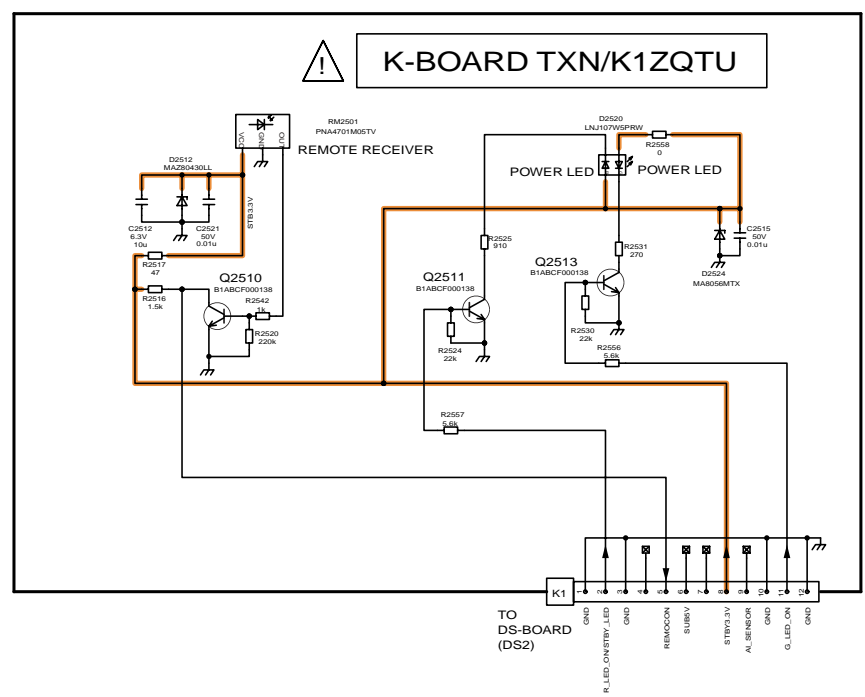
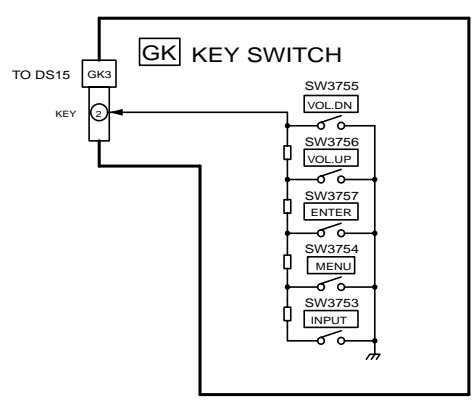
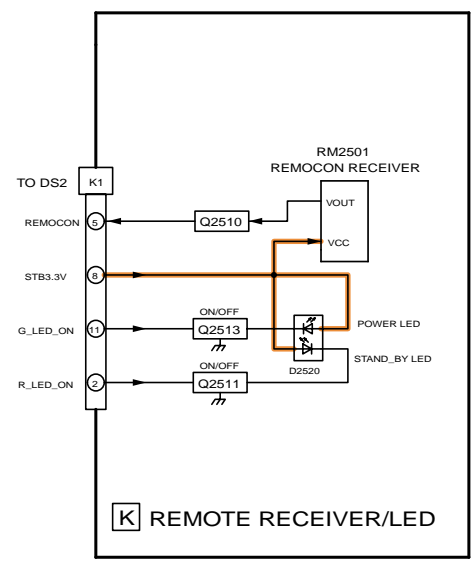
6

7

8

15.12. GK and K-Board Block and Schematic Diagram

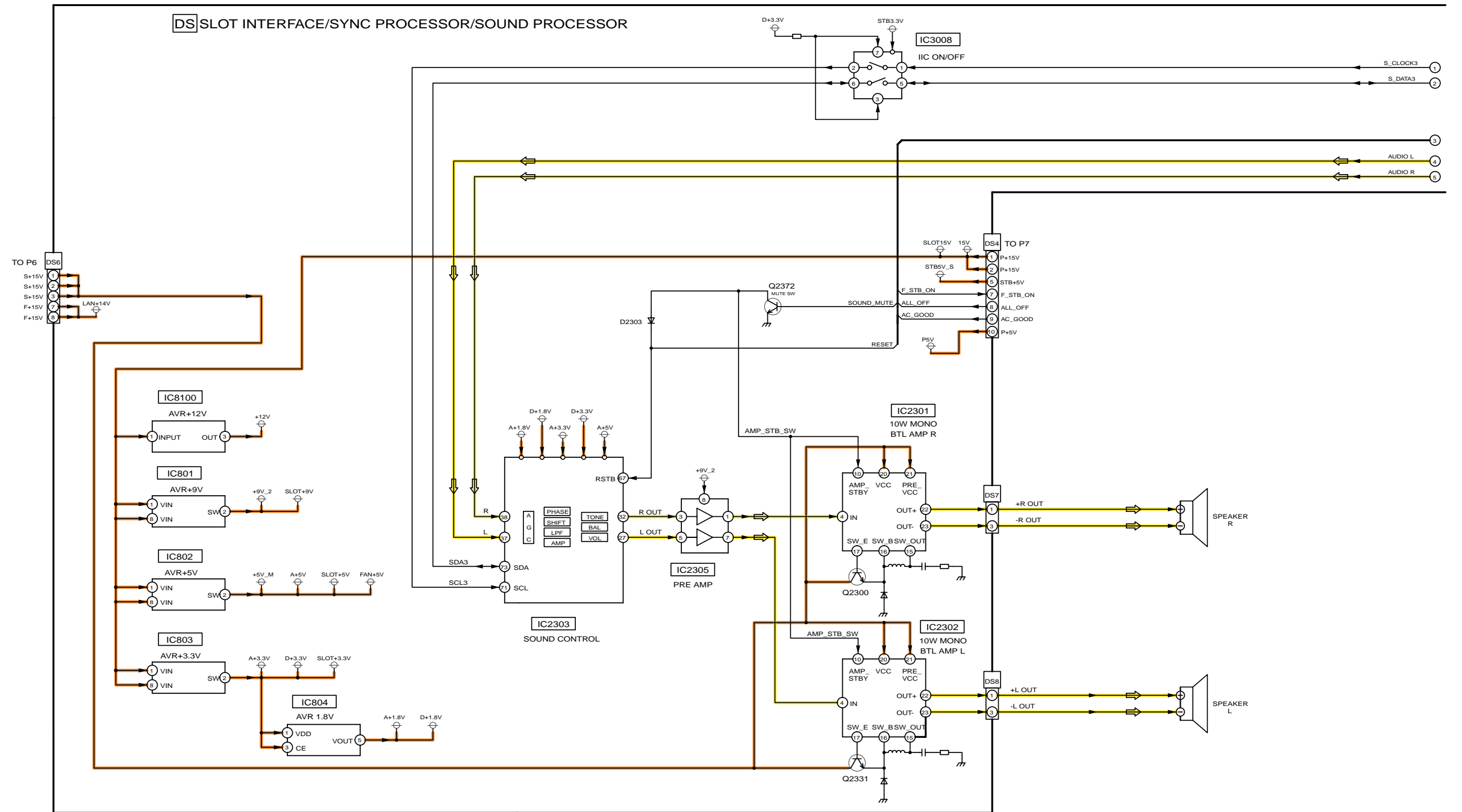
A
B
C
D
E



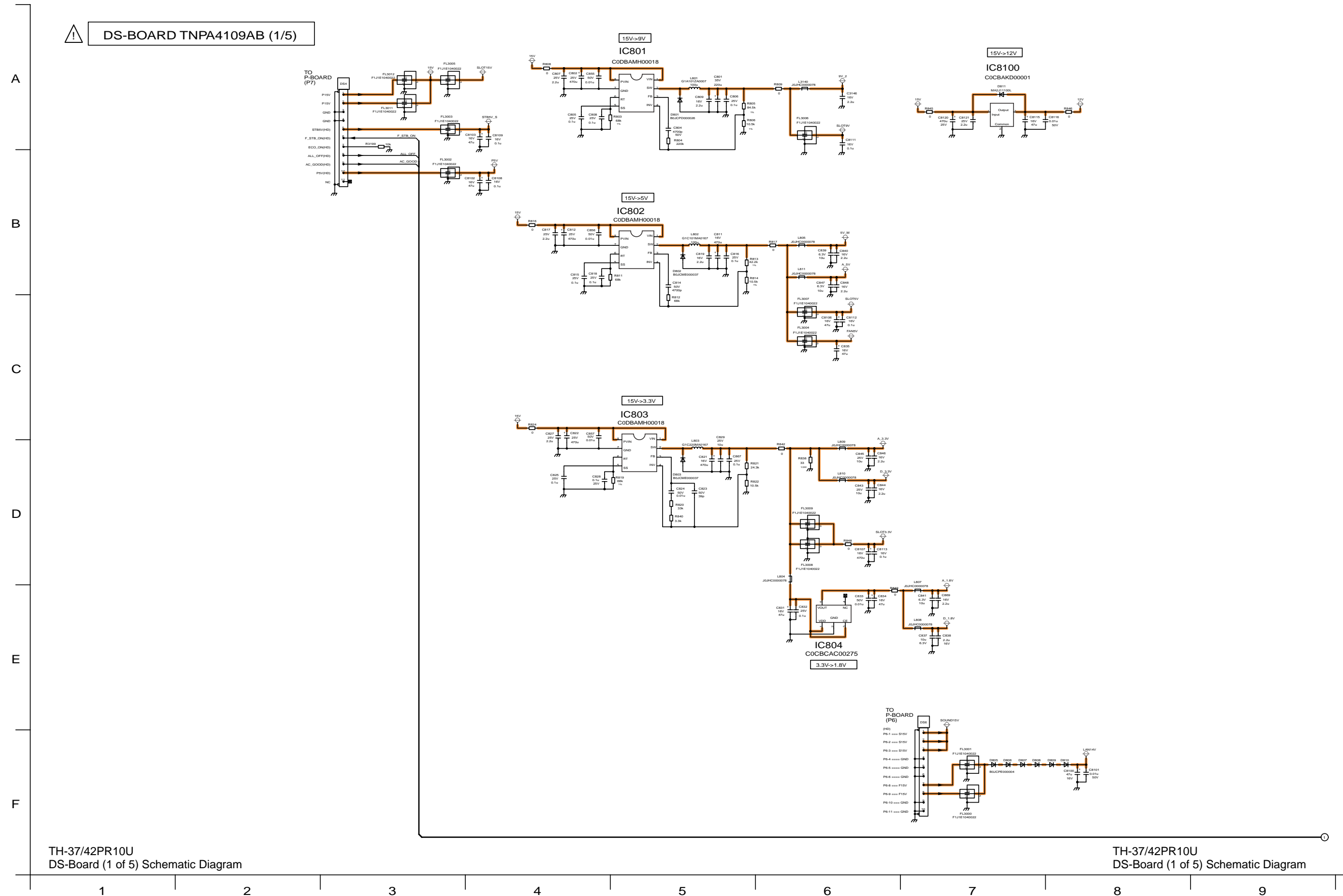
TH-37/42PR10U
GK and K-Board Block and Schematic Diagram

TH-37/42PR10U
GK and K-Board Block and Schematic Diagram

15.13. DS-Board (1 of 2) Block Diagram



15.15. DS-Board (1 of 5) Schematic Diagram

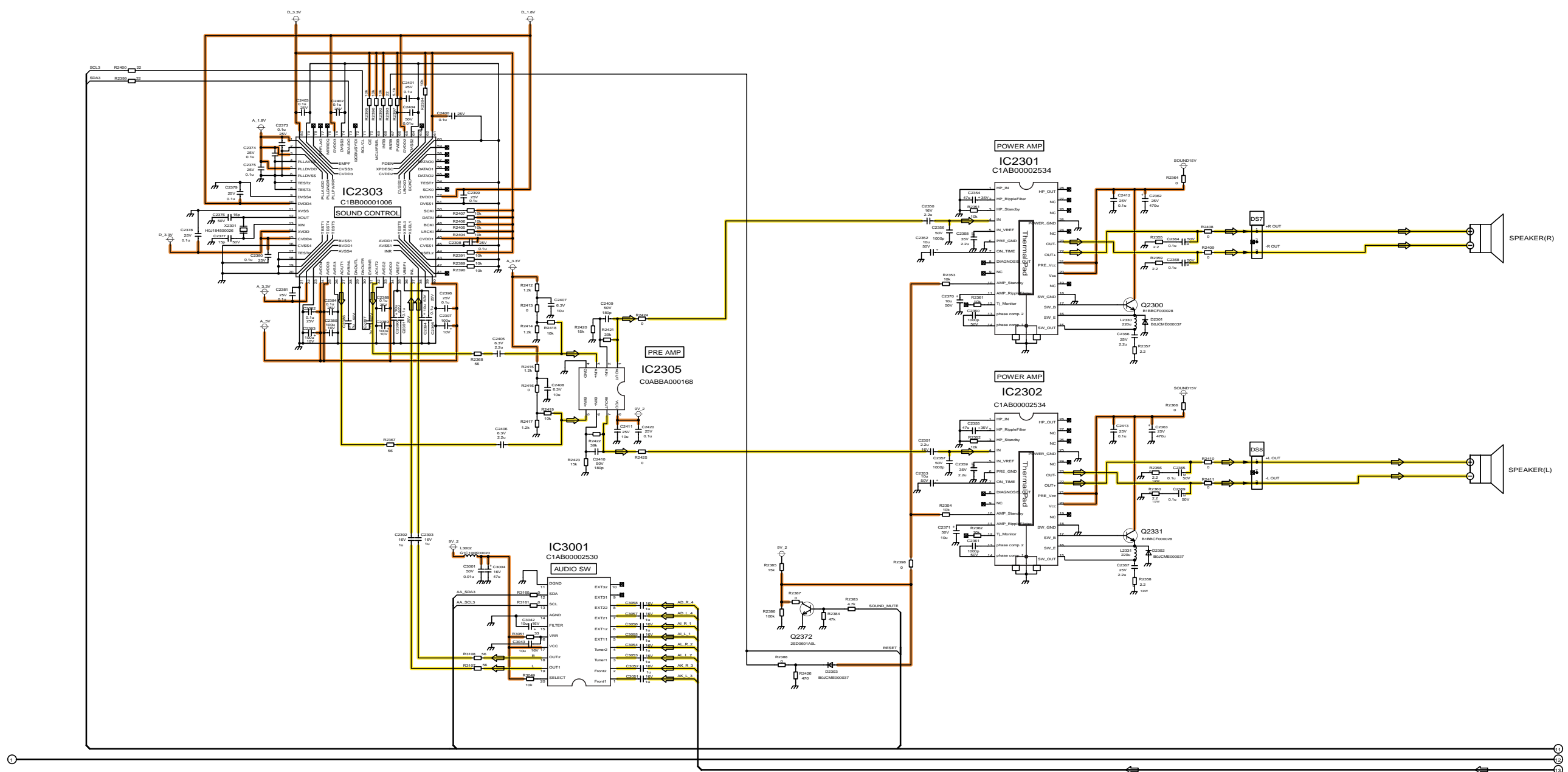


TH-37/42PR10U
DS-Board (1 of 5) Schematic Diagram

TH-37/42PR10U
DS-Board (1 of 5) Schematic Diagram

15.16. DS-Board (2 of 5) Schematic Diagram

⚠ DS-BOARD TNPA4109AB (2/5)



TH-37/42PR10U
DS-Board (2 of 5) Schematic Diagram

TH-37/42PR10U
DS-Board (2 of 5) Schematic Diagram

10

11

12

13

14

15

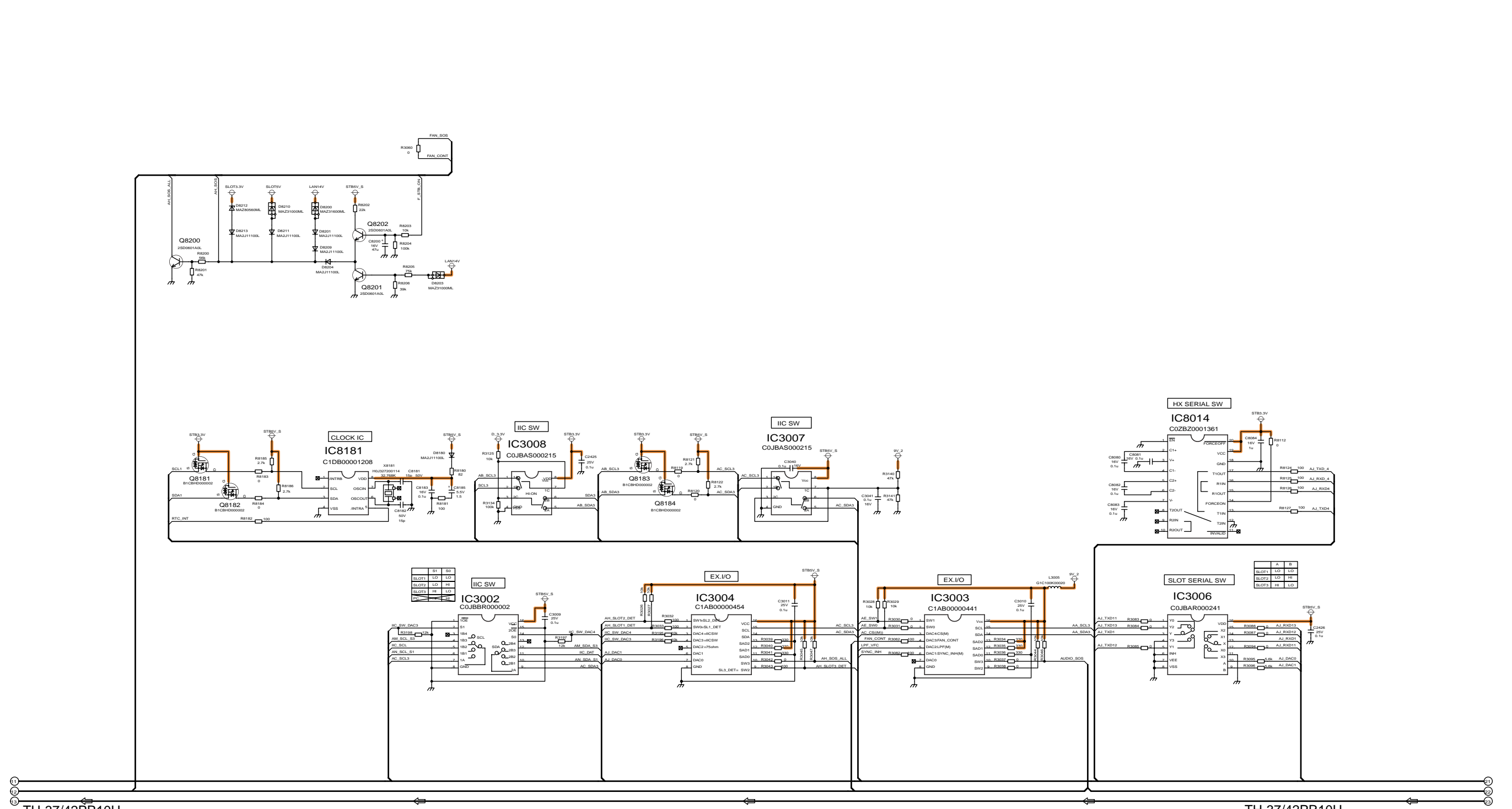
16

17

18

15.17. DS-Board (3 of 5) Schematic Diagram

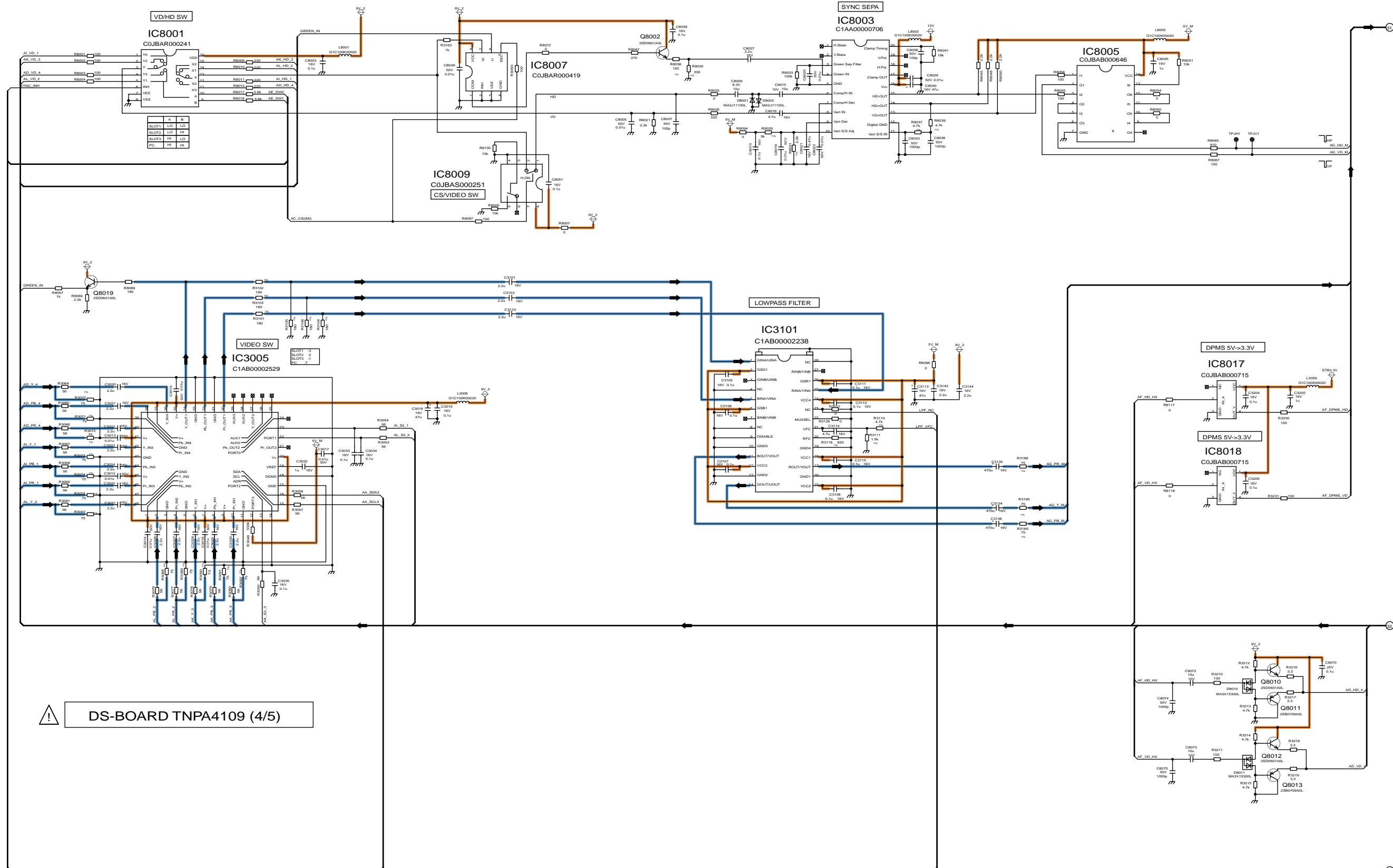
⚠ DS-BOARD TNPA4109 (3/5)



TH-37/42PR10U
DS-Board (3 of 5) Schematic Diagram

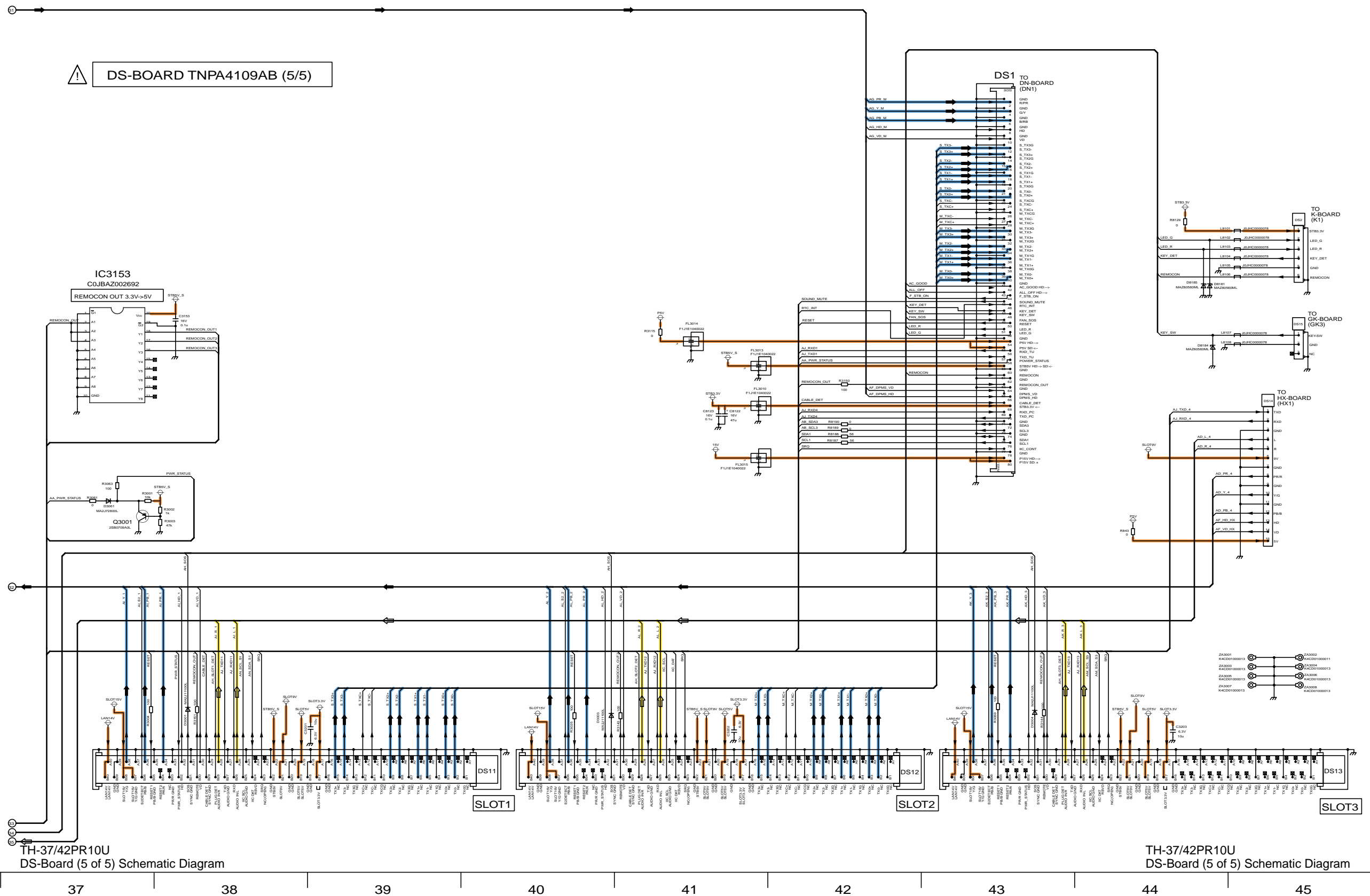
TH-37/42PR10U
DS-Board (3 of 5) Schematic Diagram

15.18. DS-Board (4 of 5) Schematic Diagram

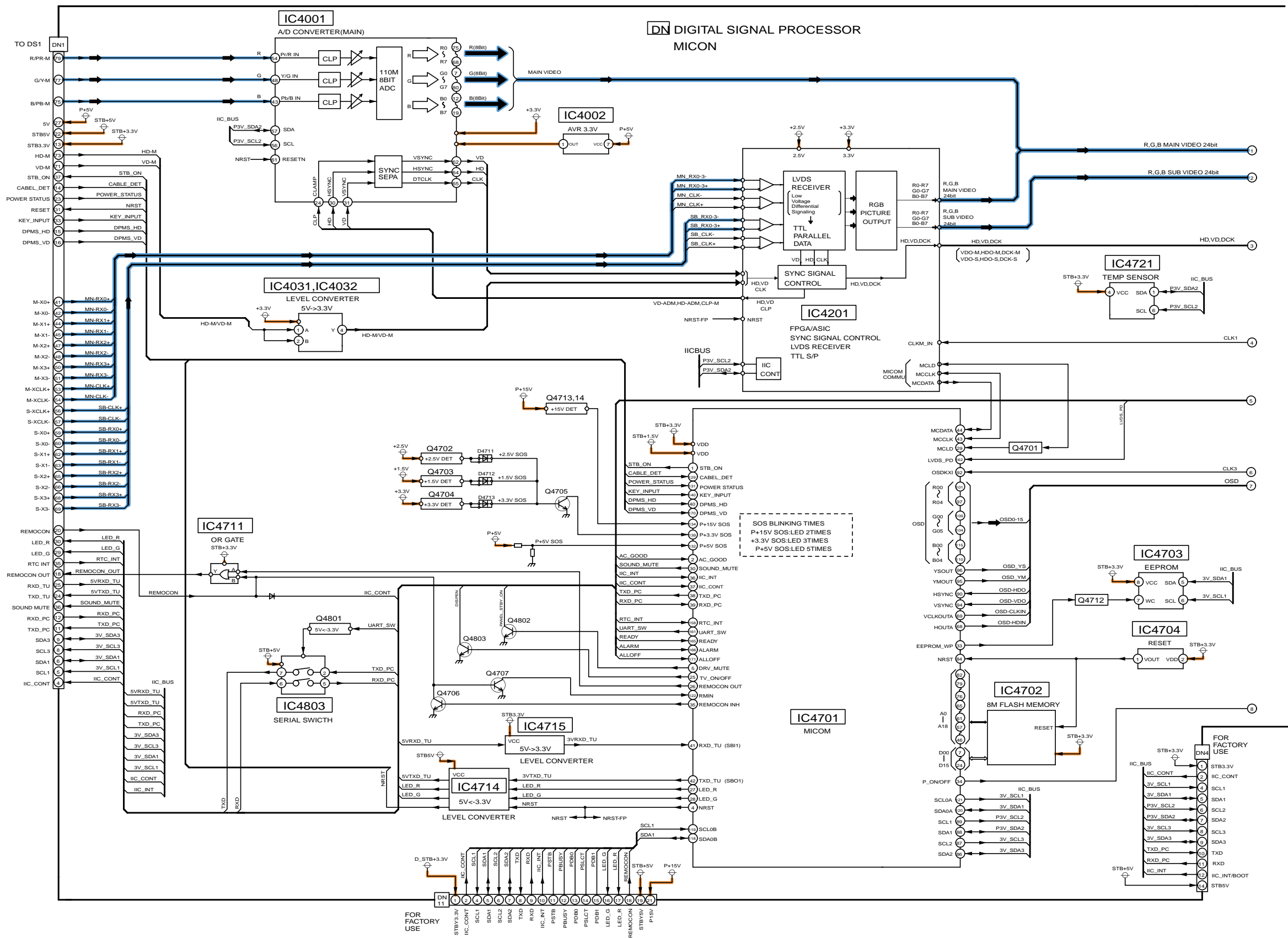


DS-BOARD TNPA4109 (4/5)

15.19. DS-Board (5 of 5) Schematic Diagram



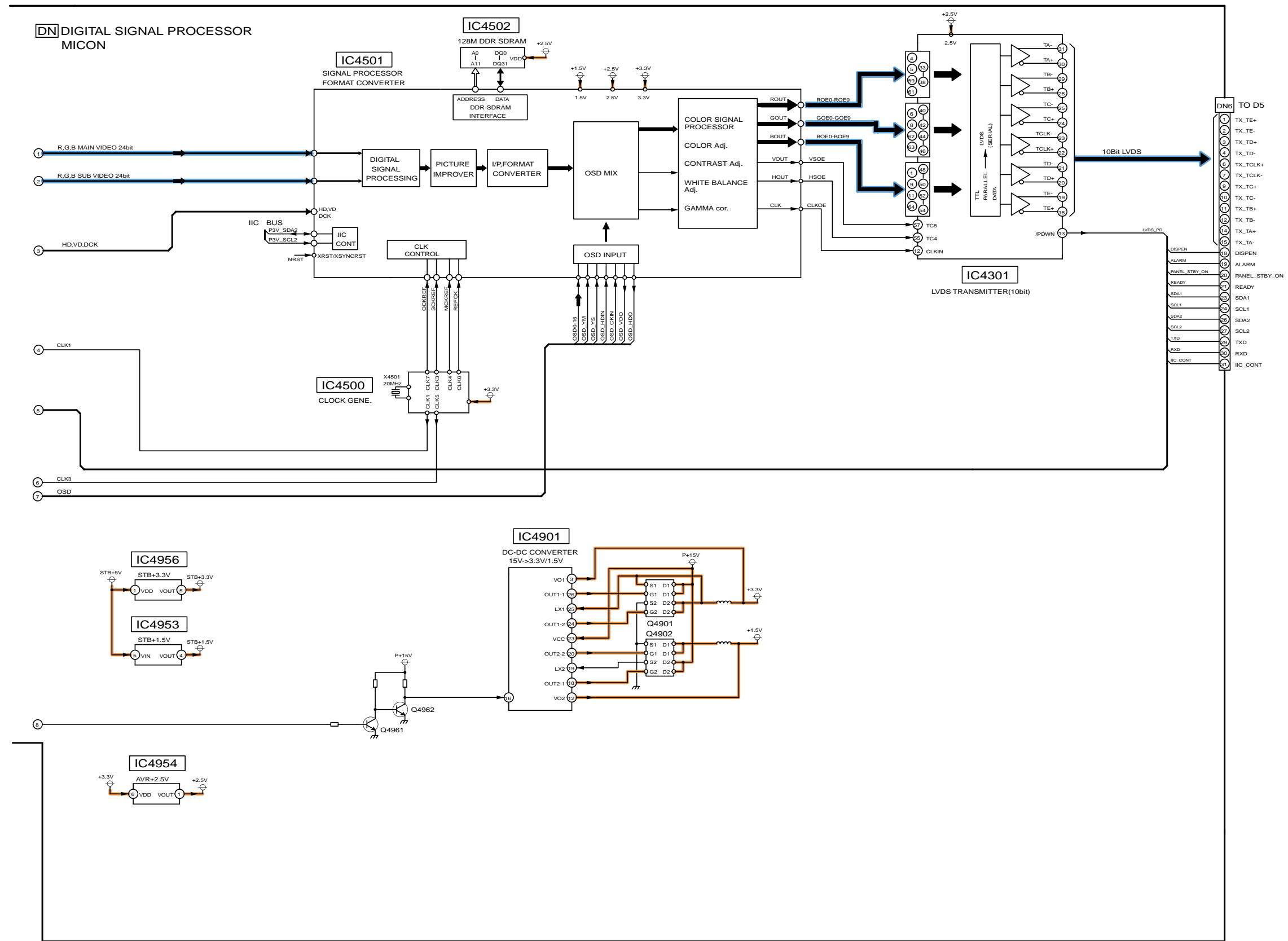
15.20. DN-Board (1 of 2) Block Diagram



TH-37/42PR10U
DN-Board (1 of 2) Block Diagram

TH-37/42PR10U
DN-Board (1 of 2) Block Diagram

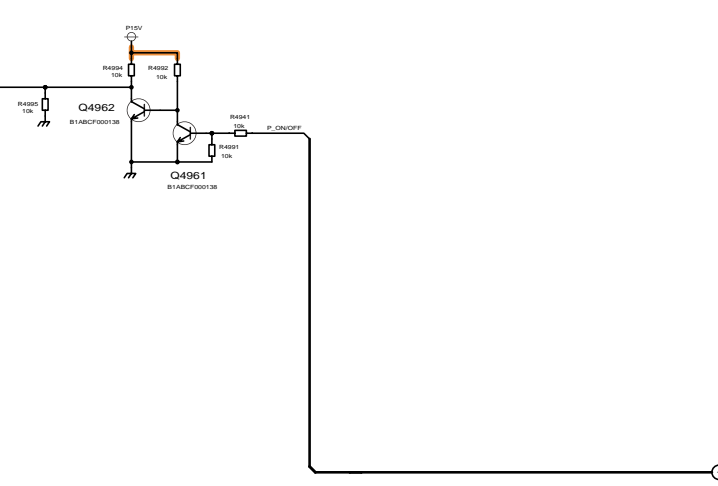
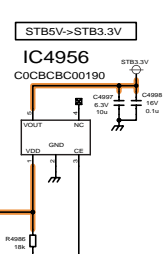
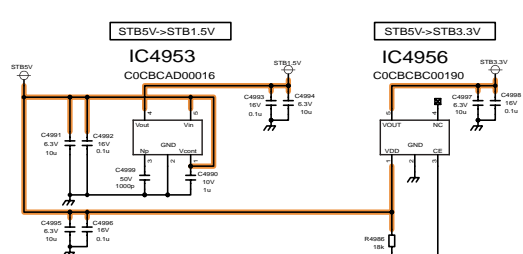
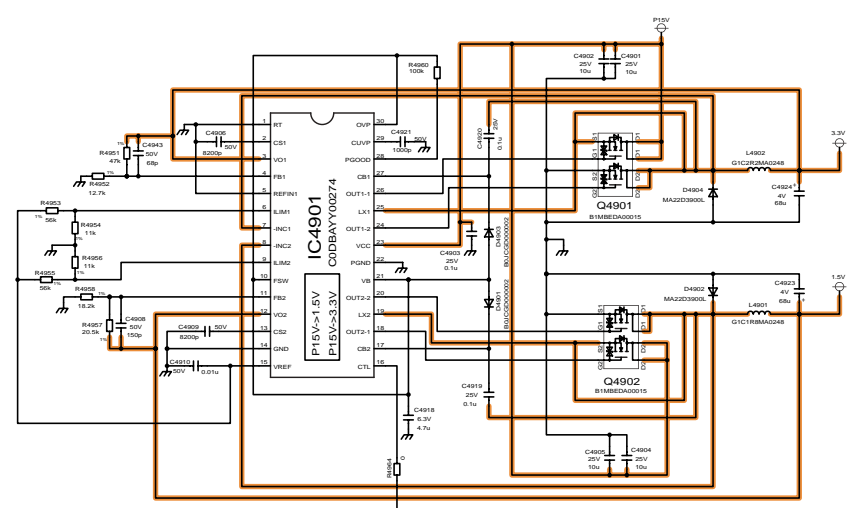
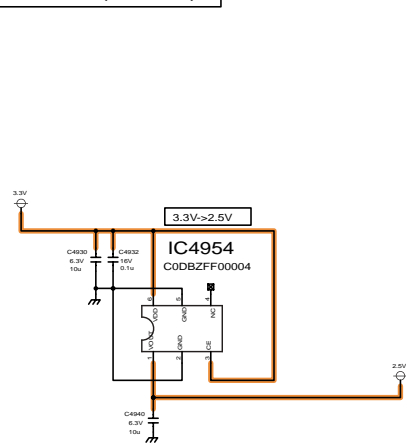
15.21. DN-Board (2 of 2) Block Diagram



15.22. DN-Board (1 of 6) Schematic Diagram

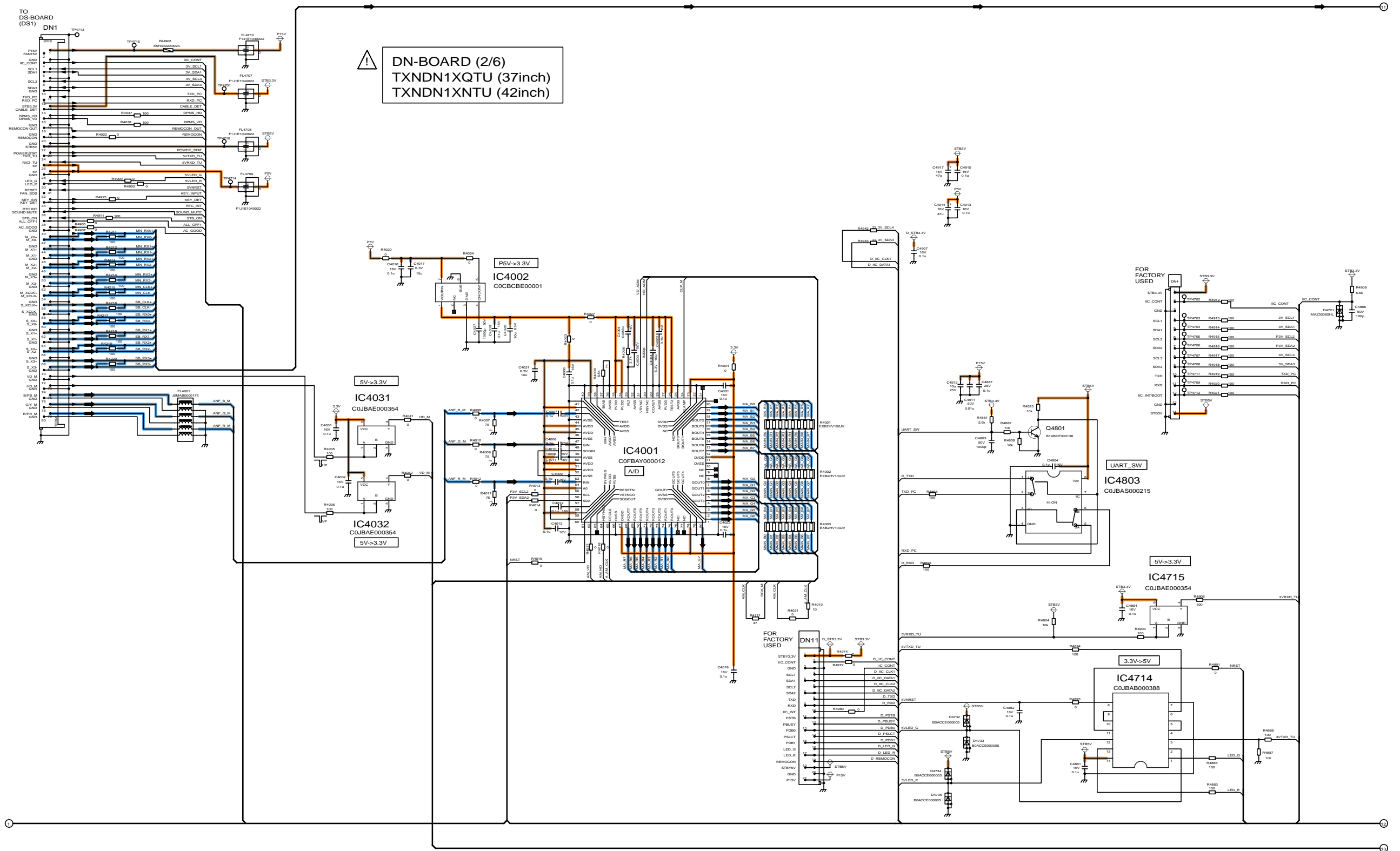
A
B
C
D
E
F

⚠ DN-BOARD (1/6)
TXNDN1XQTU (37inch)
TXNDN1XNTU (42inch)



1 2 3 4 5 6 7 8 9

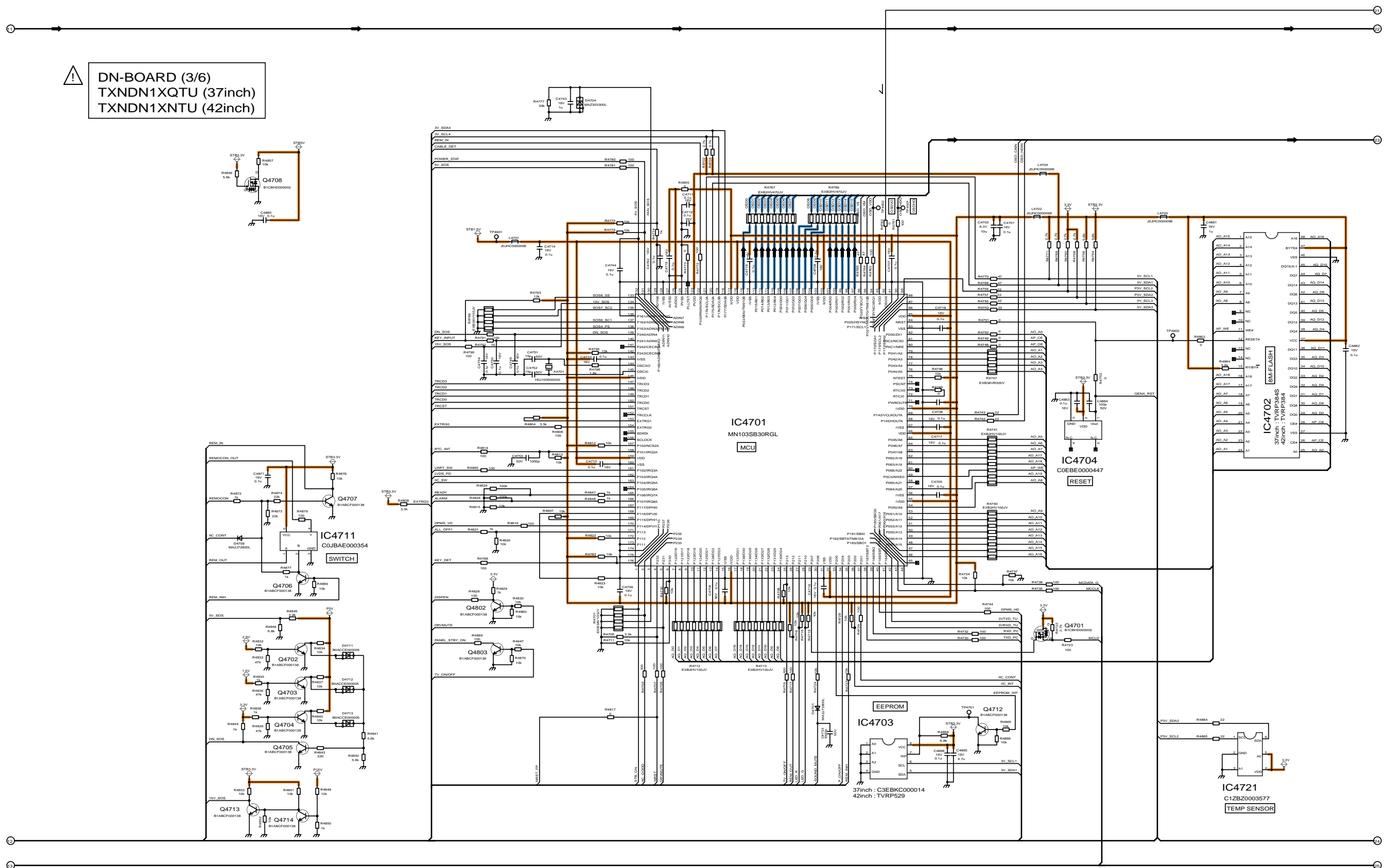
15.23. DN-Board (2 of 6) Schematic Diagram



TH-37/42PR10U
DN-Board (2 of 6) Schematic Diagram

TH-37/42PR10U
DN-Board (2 of 6) Schematic Diagram

15.24. DN-Board (3 of 6) Schematic Diagram

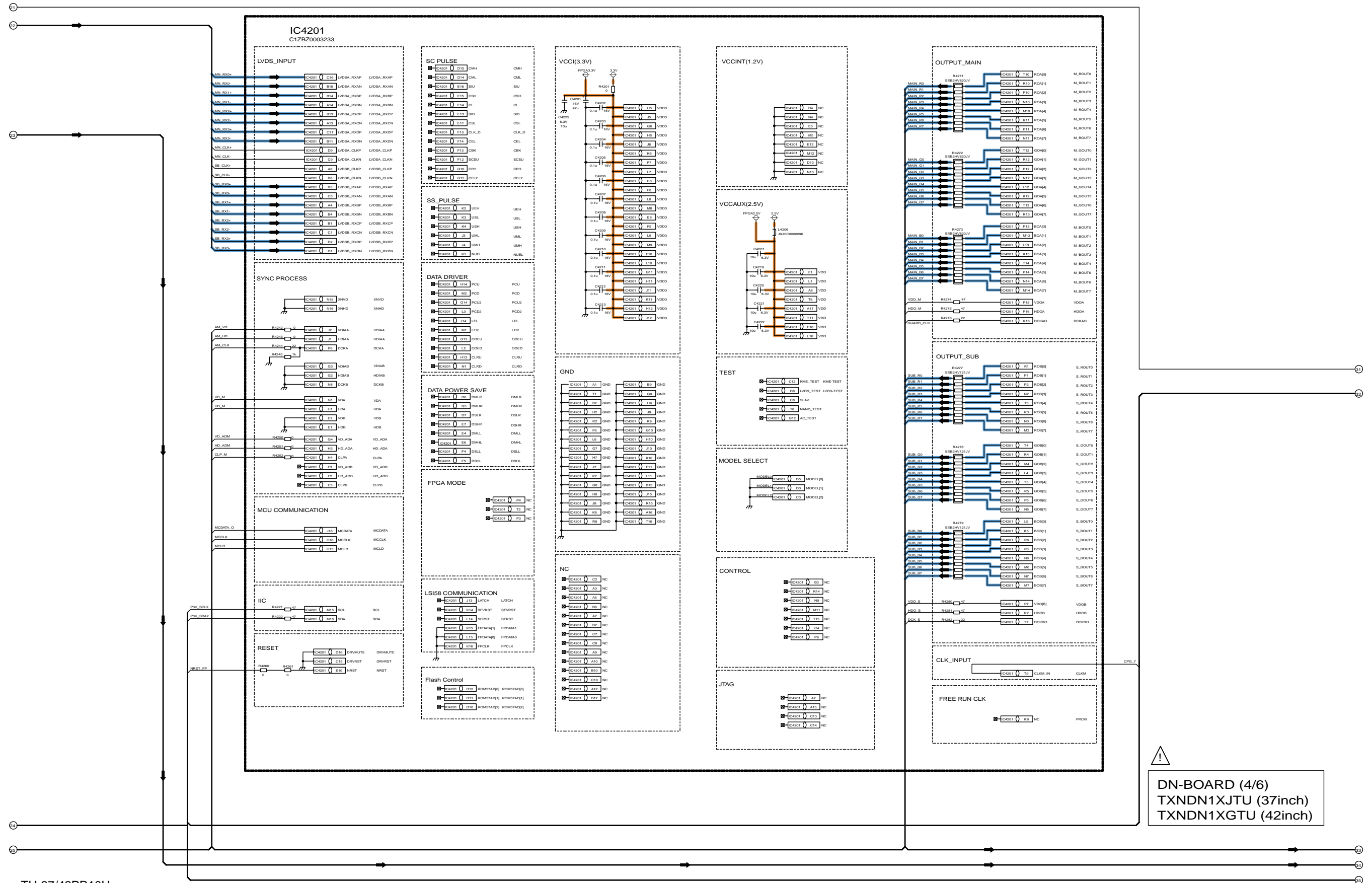


⚠️ DN-BOARD (3/6)
TXNDN1XQTU (37inch)
TXNDN1XNTU (42inch)

TH-37/42PR10U
DN-Board (3 of 6) Schematic Diagram

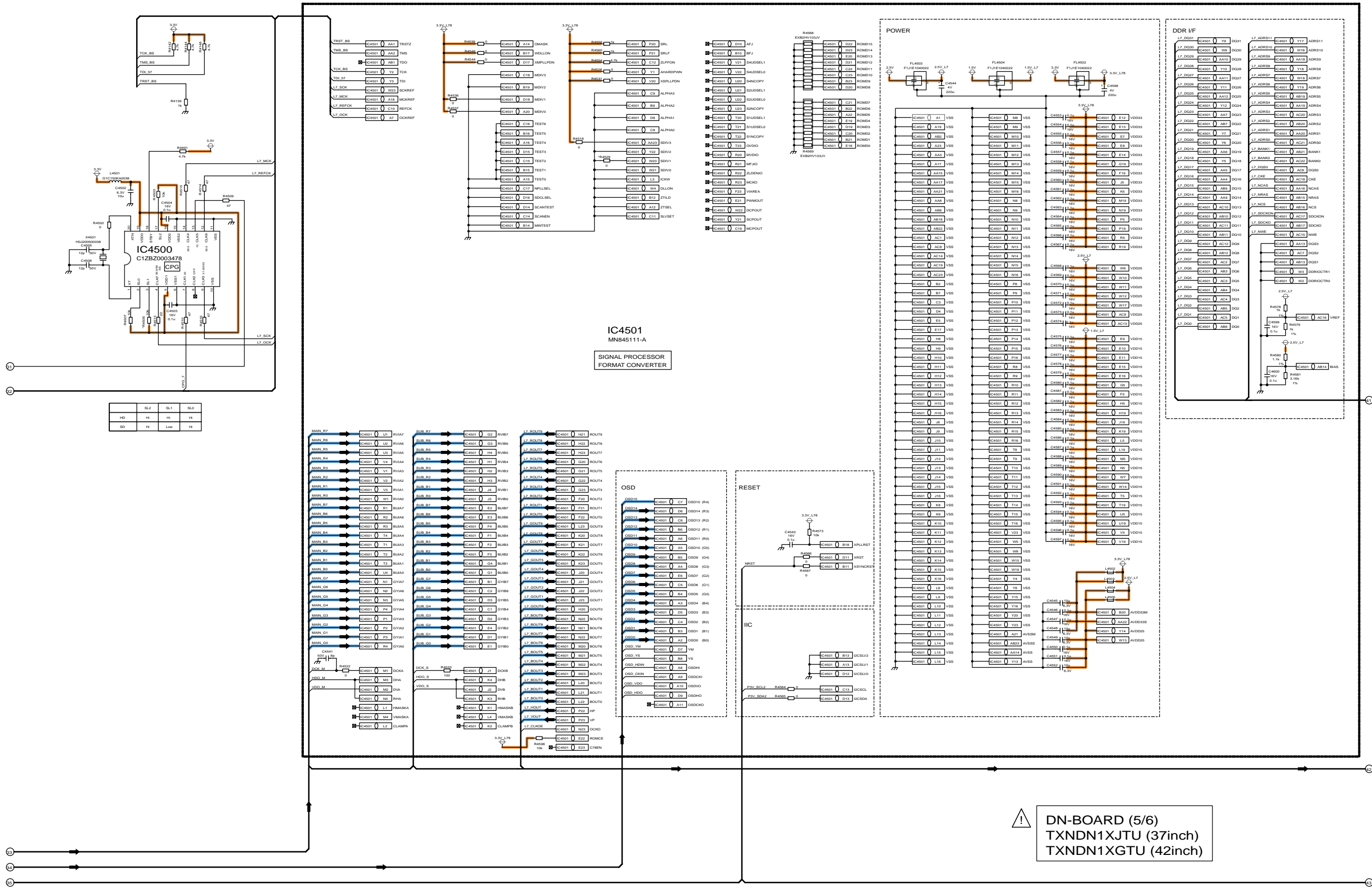
TH-37/42PR10U
DN-Board (3 of 6) Schematic Diagram

15.25. DN-Board (4 of 6) Schematic Diagram



⚠
 DN-BOARD (4/6)
 TXNDN1XJTU (37inch)
 TXNDN1XGTU (42inch)

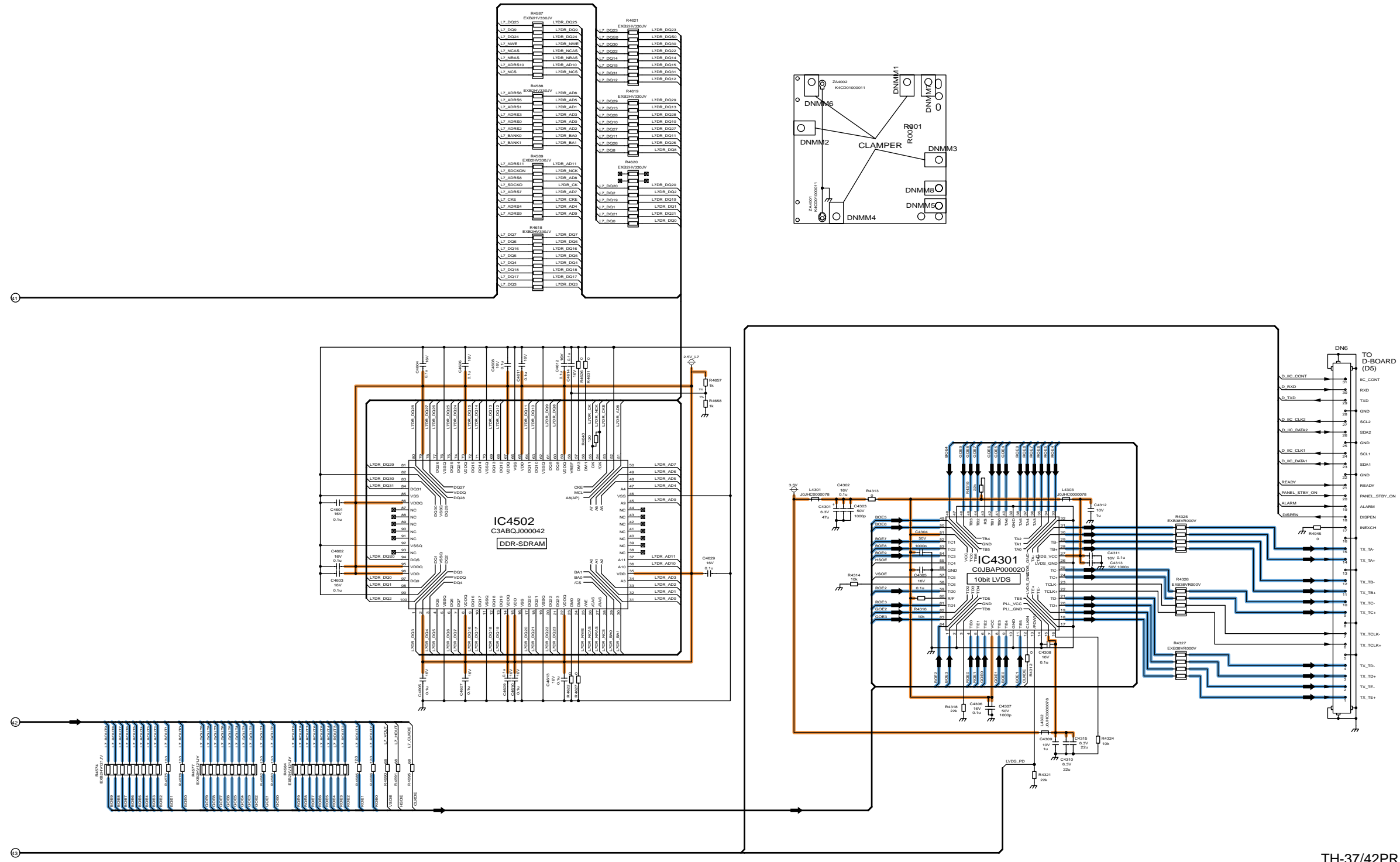
15.26. DN-Board (5 of 6) Schematic Diagram



⚠ DN-BOARD (5/6)
TXNDN1XJTU (37inch)
TXNDN1XGTU (42inch)

15.27. DN-Board (6 of 6) Schematic Diagram

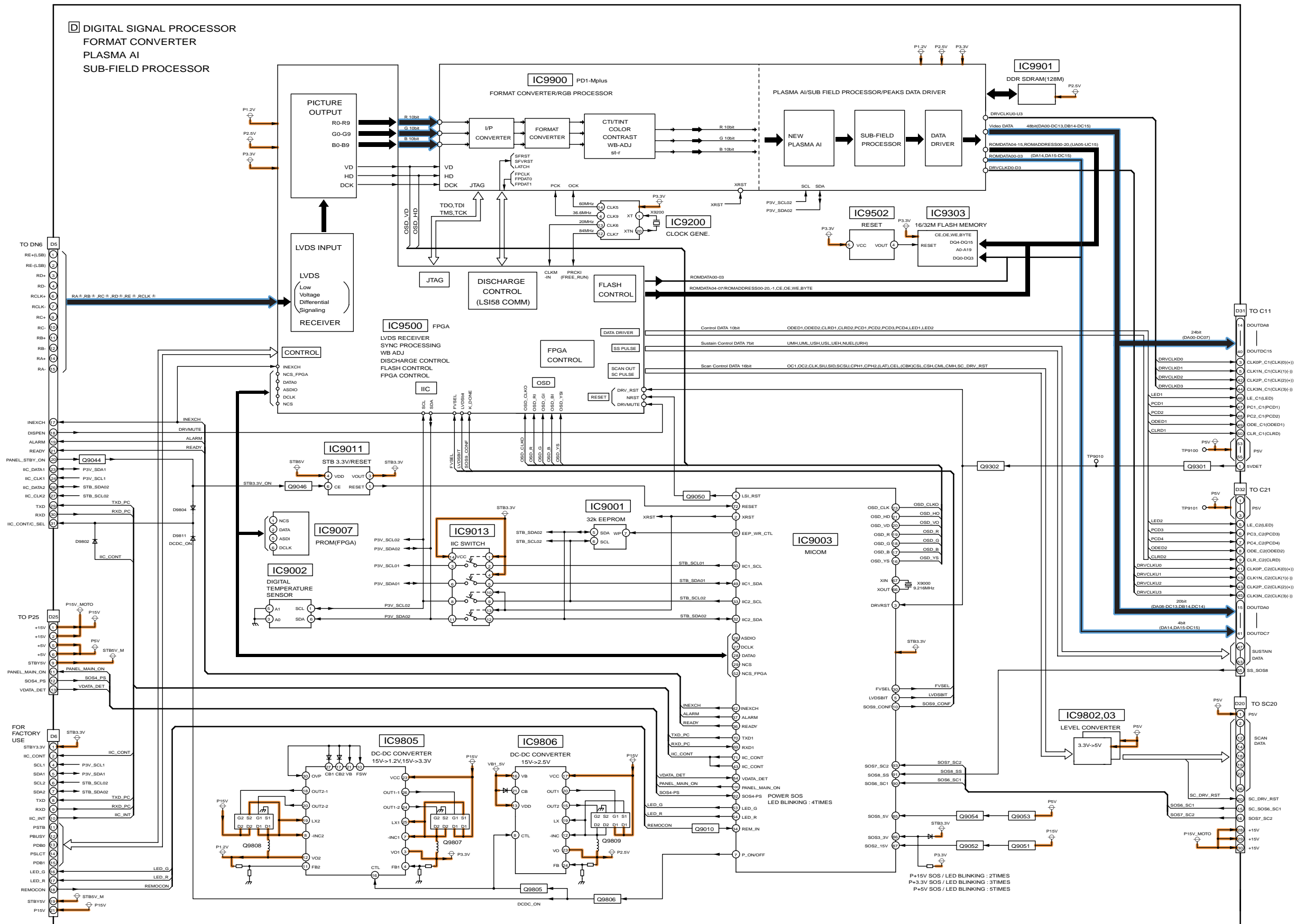
! DN-BOARD (6/6)
TXNDN1XJTU (37inch)
TXNDN1XGTU (42inch)



TH-37/42PR10U DN-Board (6 of 6) Schematic Diagram

TH-37/42PR10U
DN-Board (6 of 6) Schematic Diagram

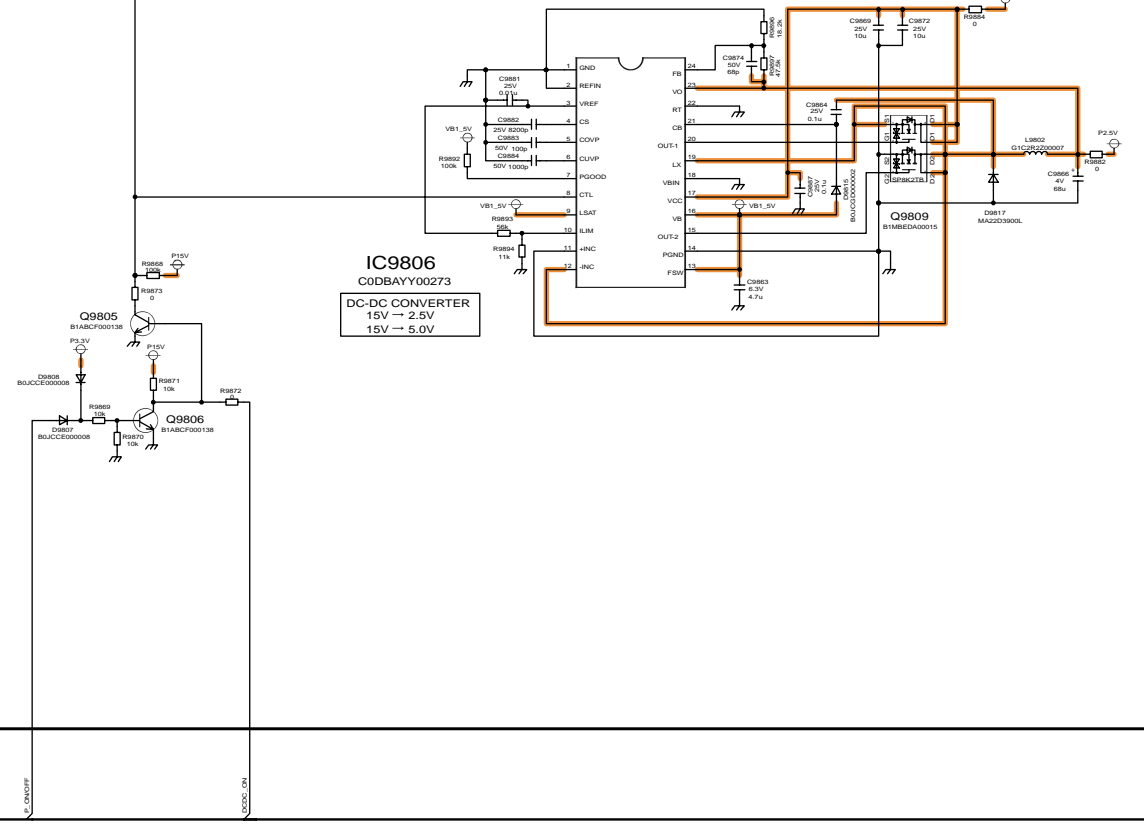
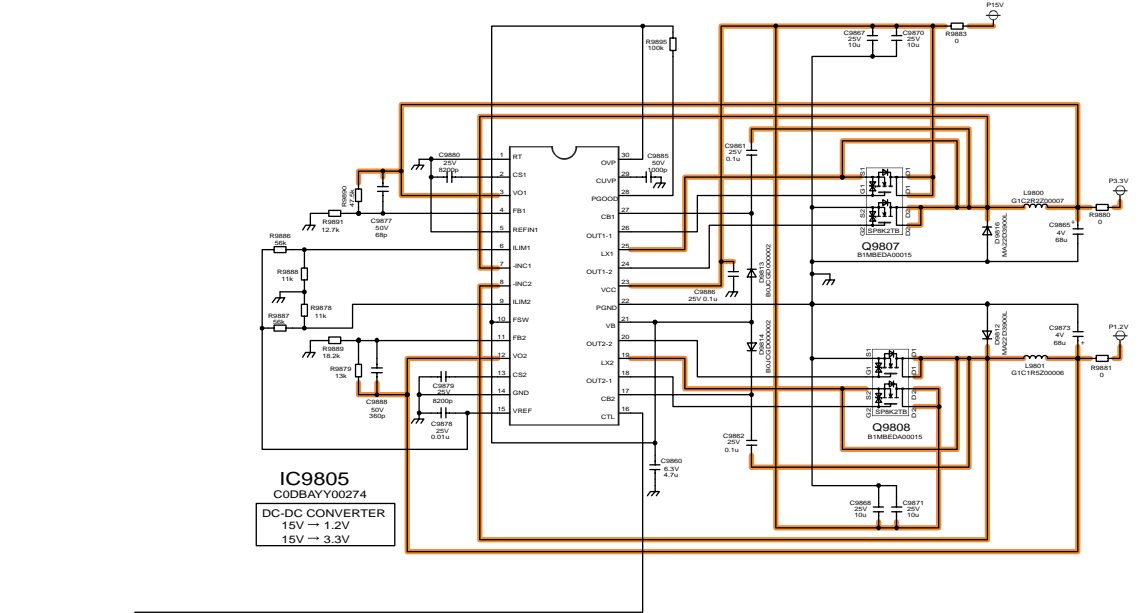
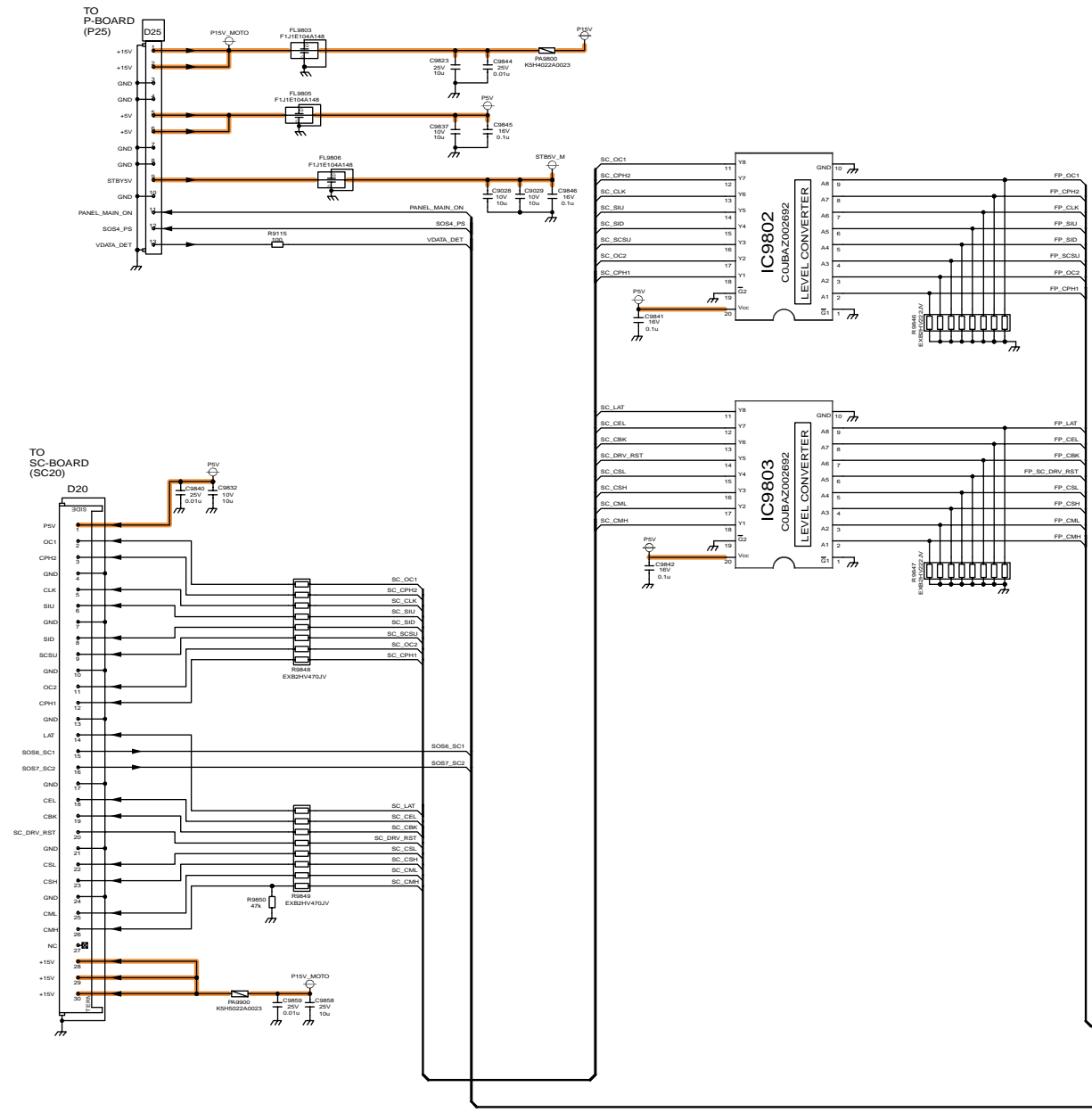
15.28. D-Board Block Diagram



15.29. D-Board (1 of 6) Schematic Diagram

A
B
C
D
E
F

! D-BOARD (1/6)
TXN/D1XJTU (37inch)
TZTNP01XGTU (42inch)



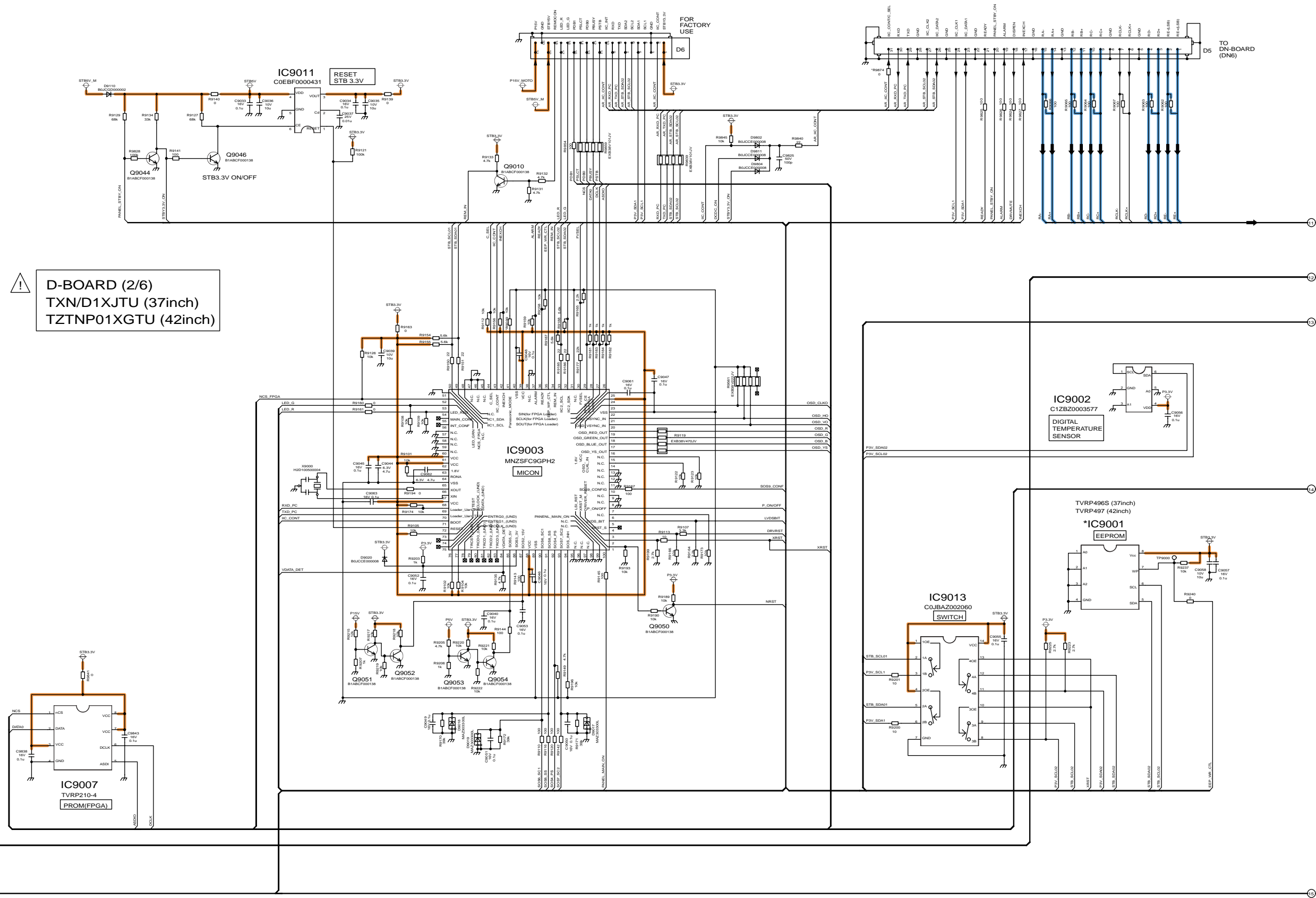
TH-37/42PR10U
D-Board (1 of 6) Schematic Diagram

TH-37/42PR10U
D-Board (1 of 6) Schematic Diagram

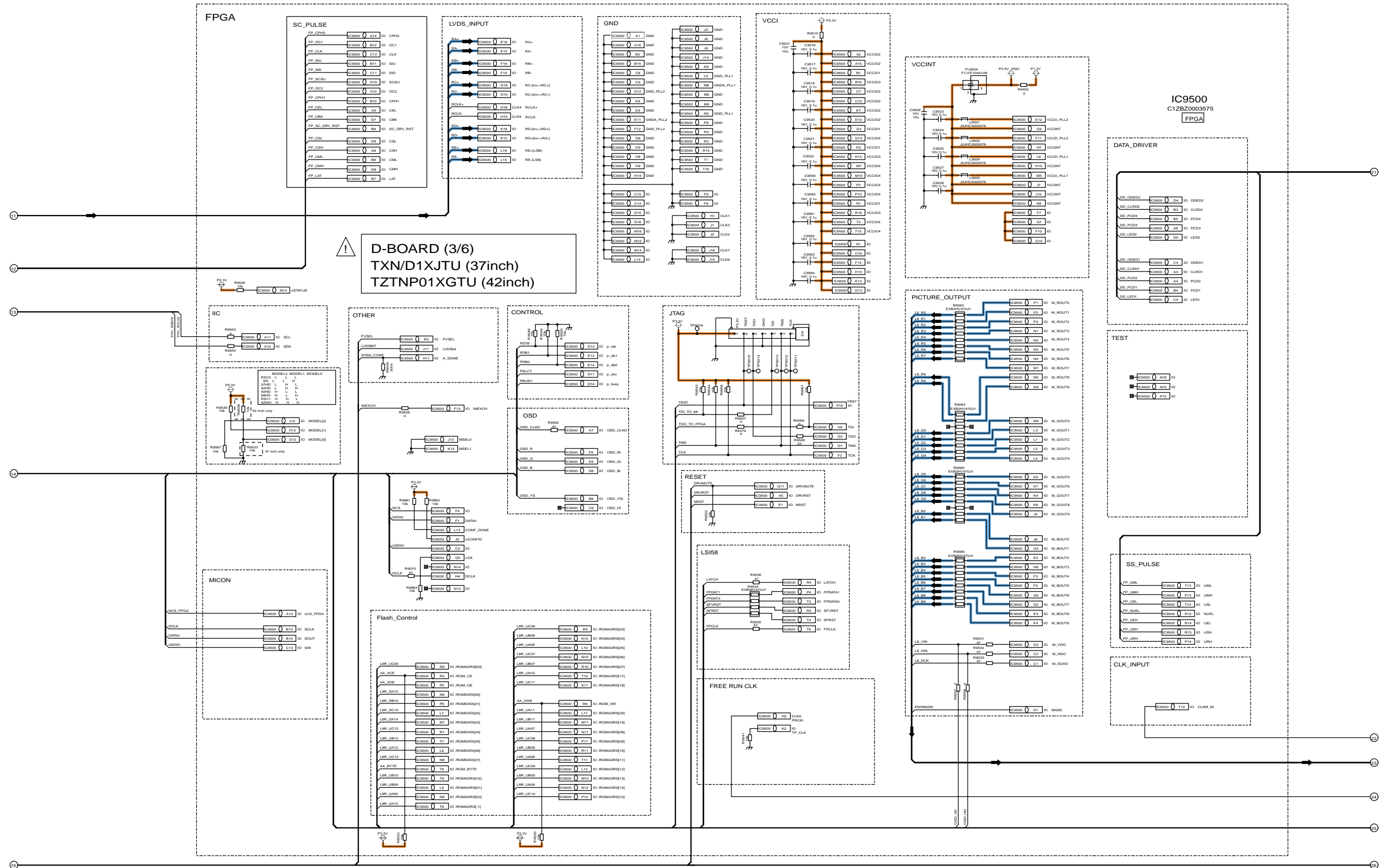
1 2 3 4 5 6 7 8 9

15.30. D-Board (2 of 6) Schematic Diagram

! D-BOARD (2/6)
TXN/D1XJTU (37inch)
TZTNP01XGTU (42inch)

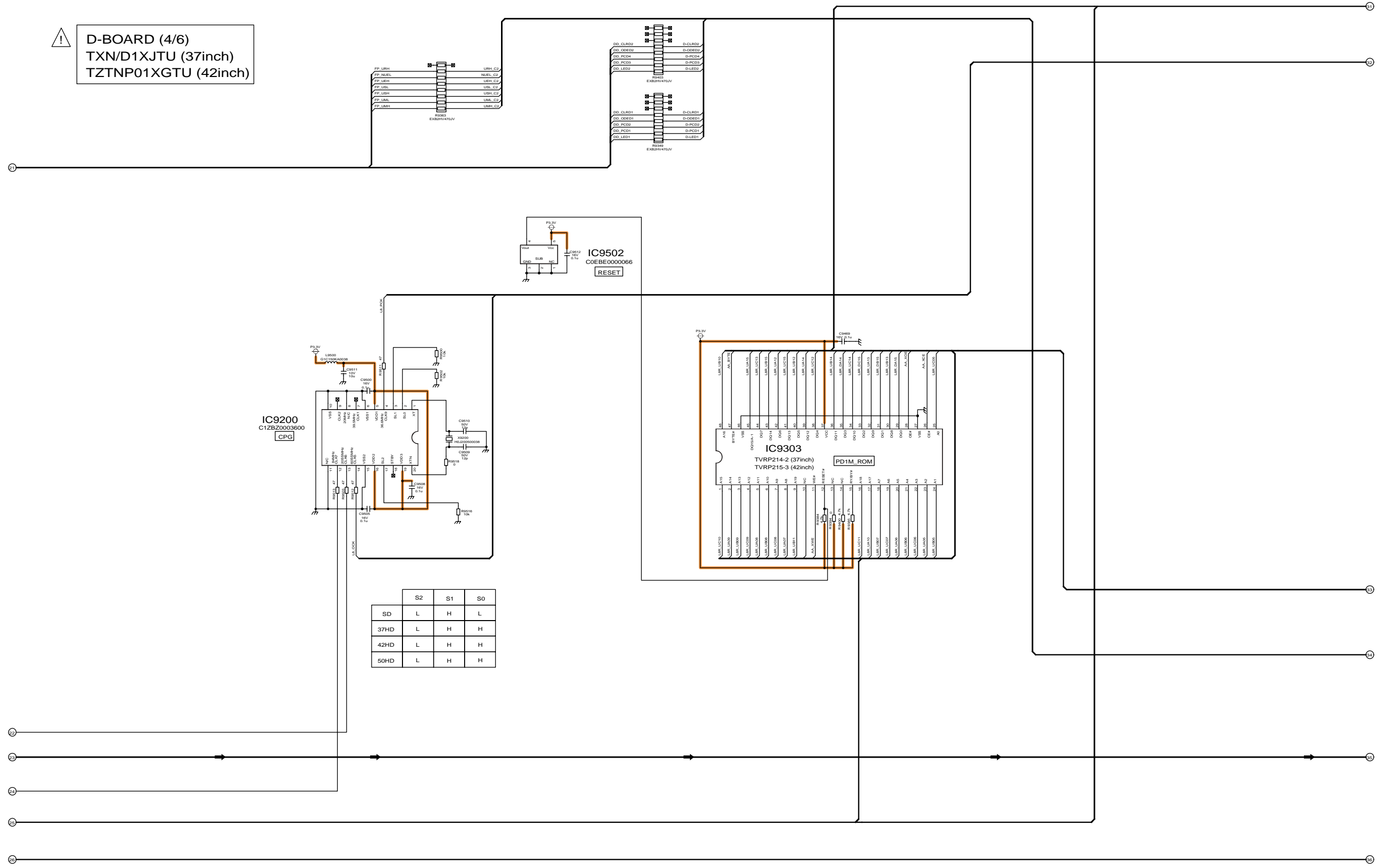


15.31. D-Board (3 of 6) Schematic Diagram

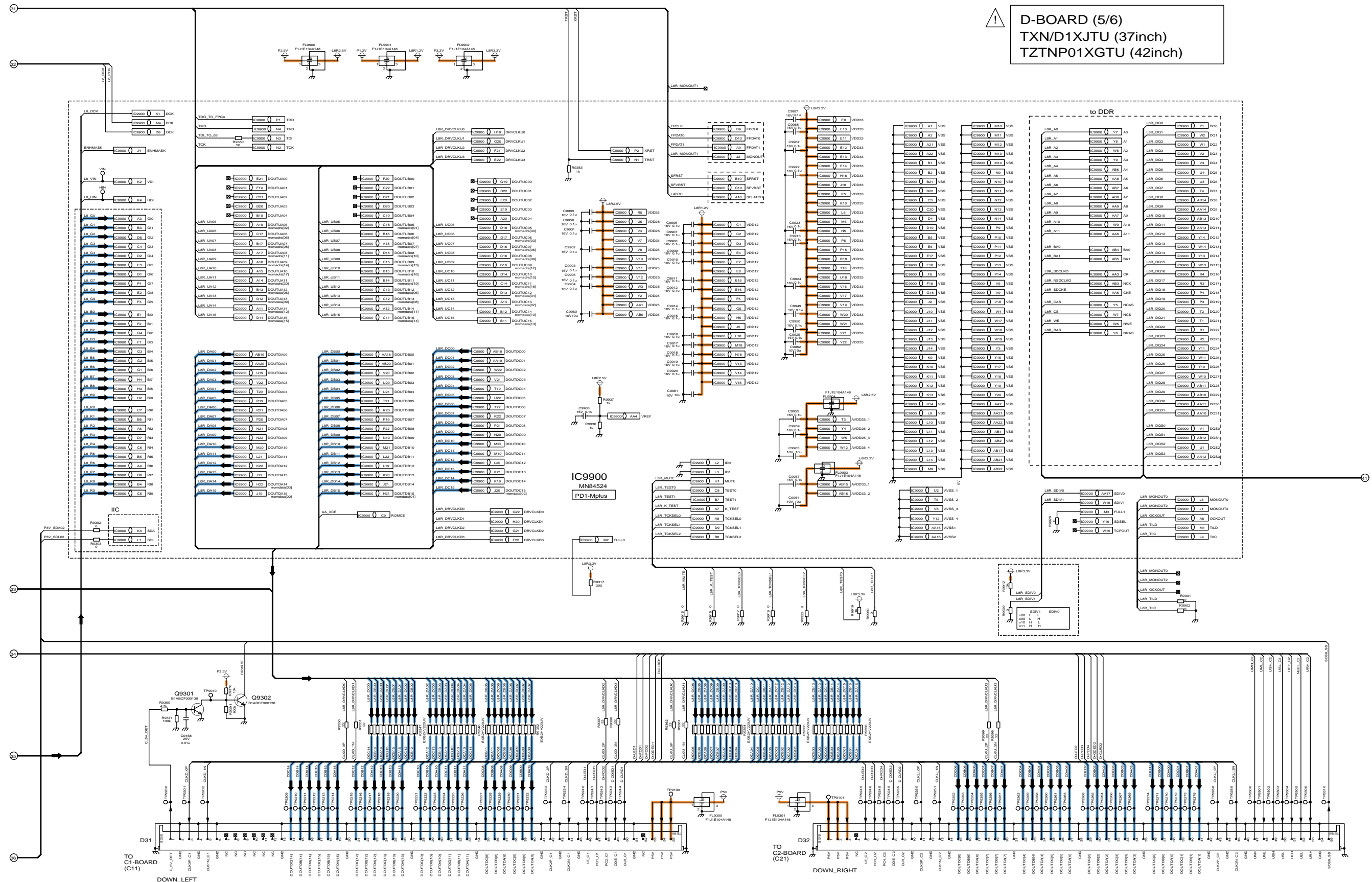


15.32. D-Board (4 of 6) Schematic Diagram

⚠ D-BOARD (4/6)
TXN/D1XJTU (37inch)
TZTNP01XGTU (42inch)



15.33. D-Board (5 of 6) Schematic Diagram

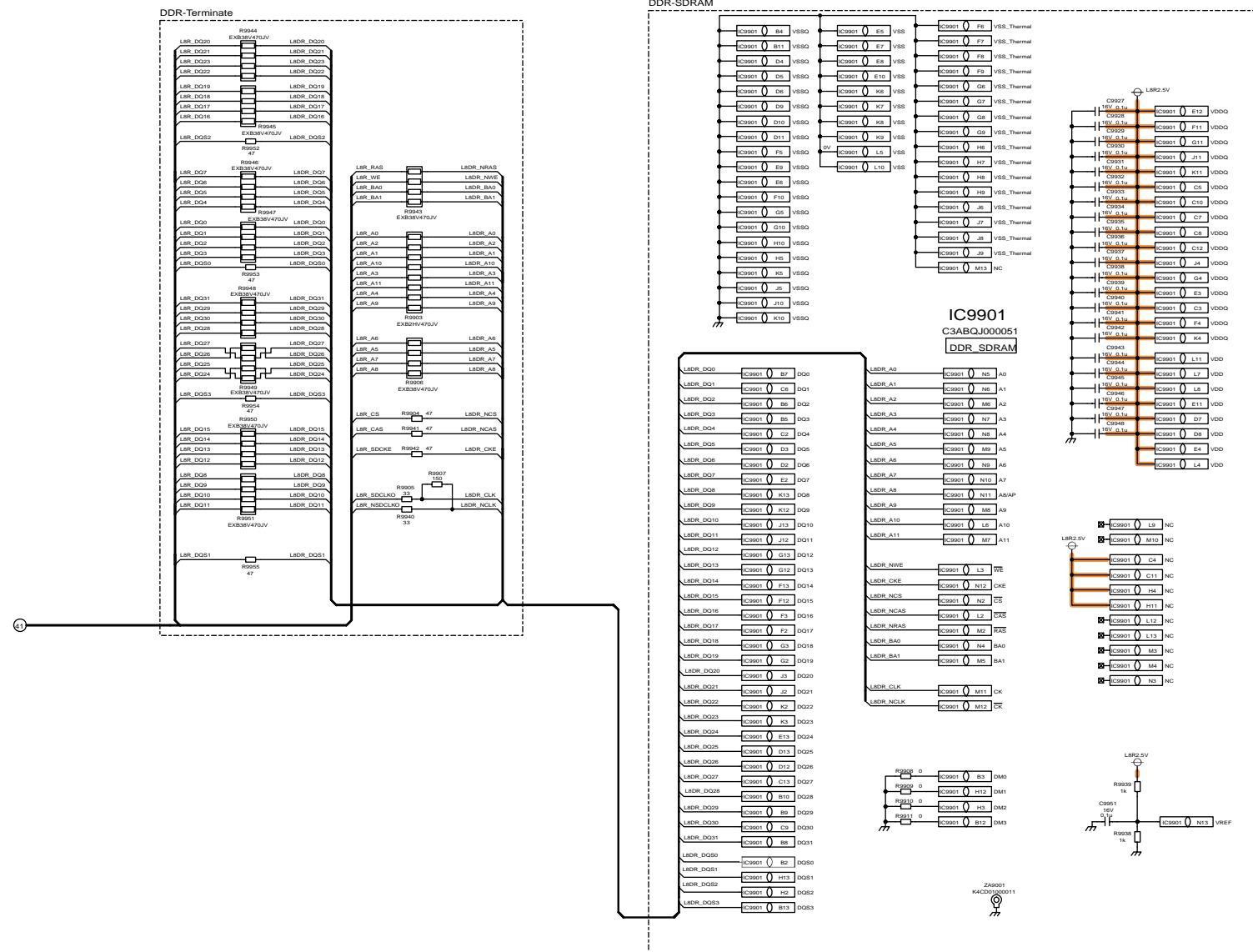


TH-37/42PR10U D-Board (5 of 6) Schematic Diagram

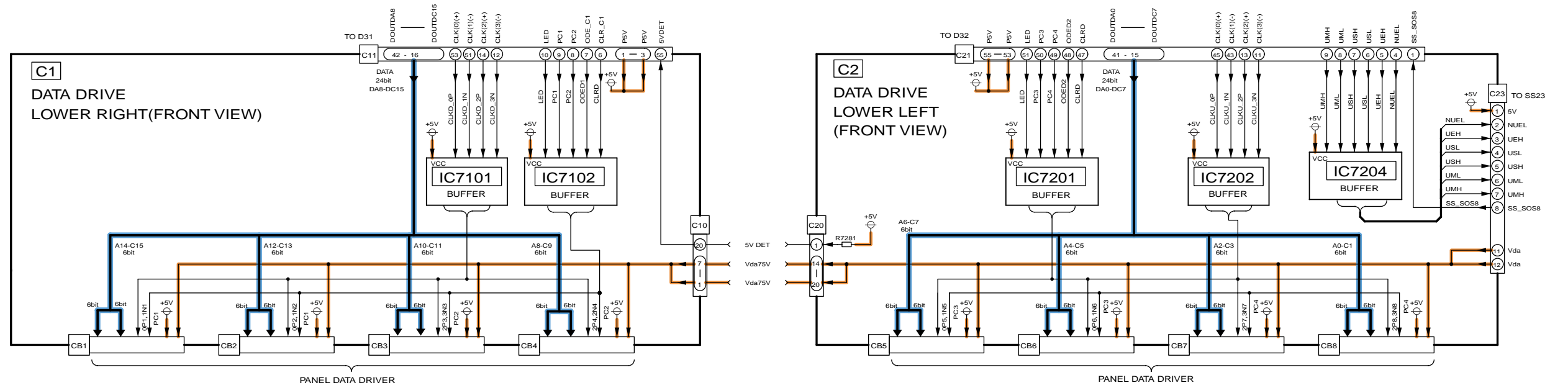
TH-37/42PR10U D-Board (5 of 6) Schematic Diagram

15.34. D-Board (6 of 6) Schematic Diagram

! D-BOARD (6/6)
TXN/D1XJTU (37inch)
TZTNP01XGTU (42inch)



15.35. C1 and C2-Board Block Diagram

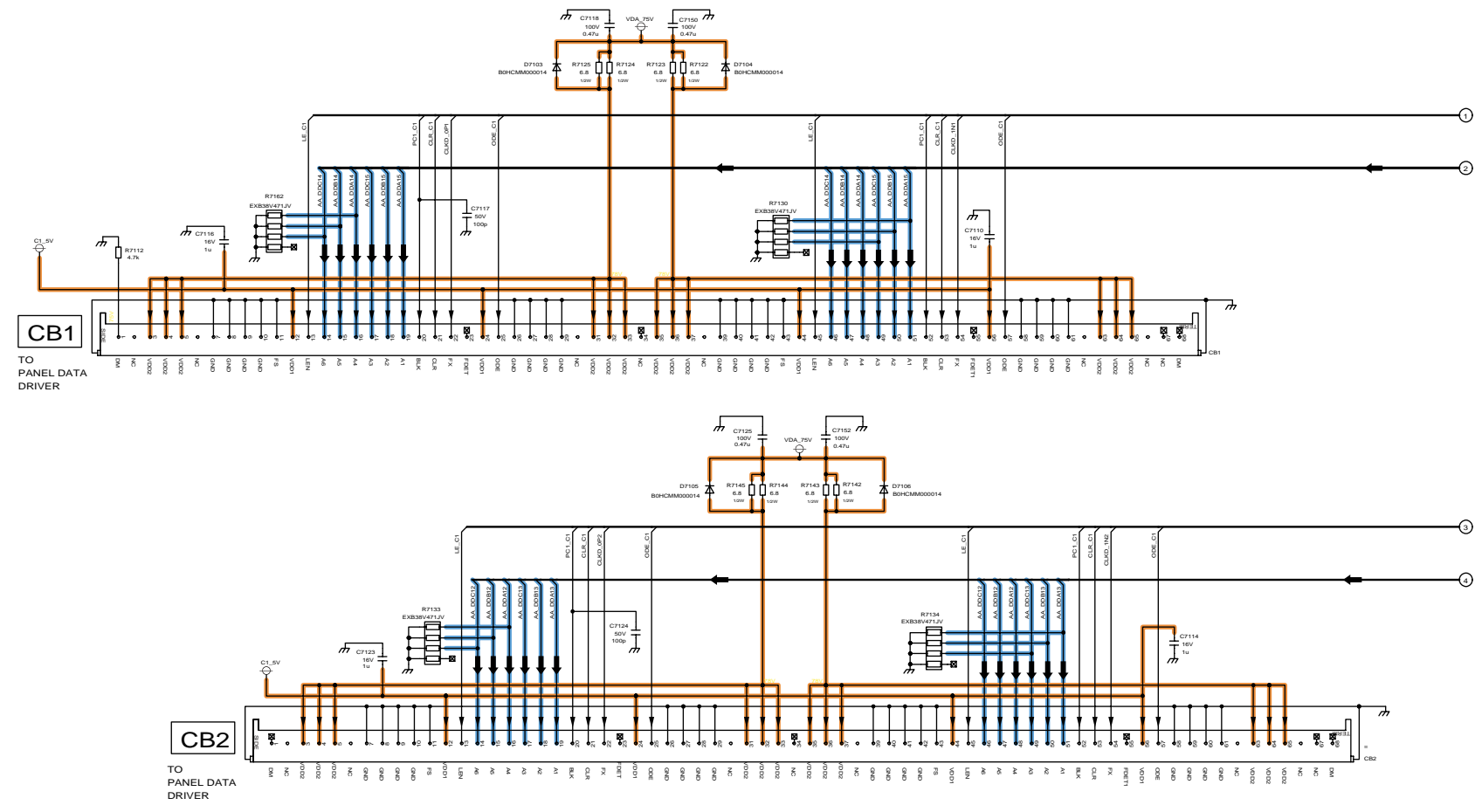
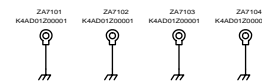


15.36. C1-Board (1 of 2) Schematic Diagram (37inch)

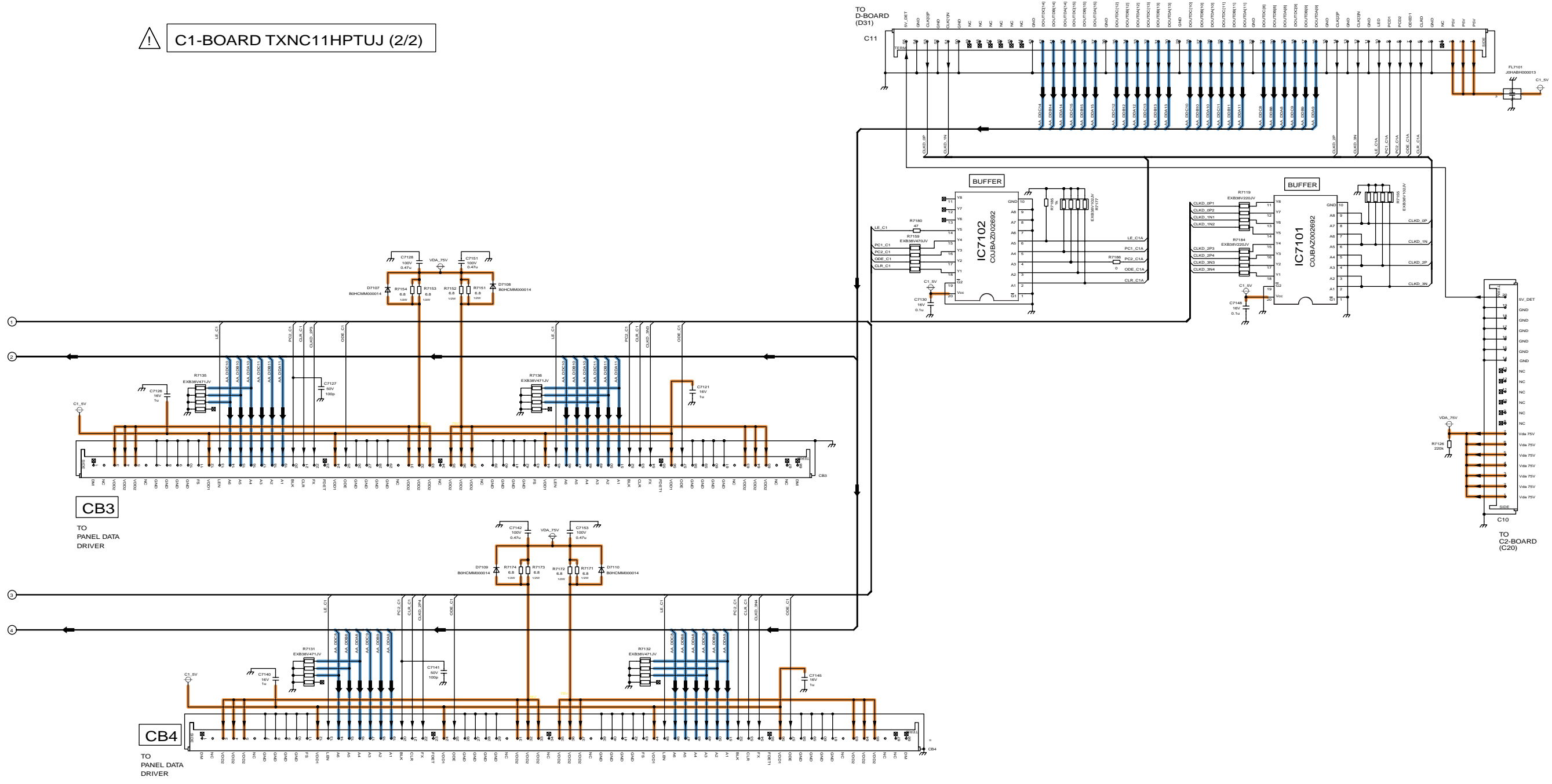
A
B
C
D
E
F

⚠ C1-BOARD TXNC11HPTUJ (1/2)

A : BLUE B : RED C : GREEN



15.37. C1-Board (2 of 2) Schematic Diagram (37inch)



TH-37PR10U
C1-Board (2 of 2) Schematic Diagram

TH-37PR10U
C1-Board (2 of 2) Schematic Diagram

15.38. C1-Board (1 of 2) Schematic Diagram (42inch)

 C1-BOARD TXNC11HNTU (1/2)

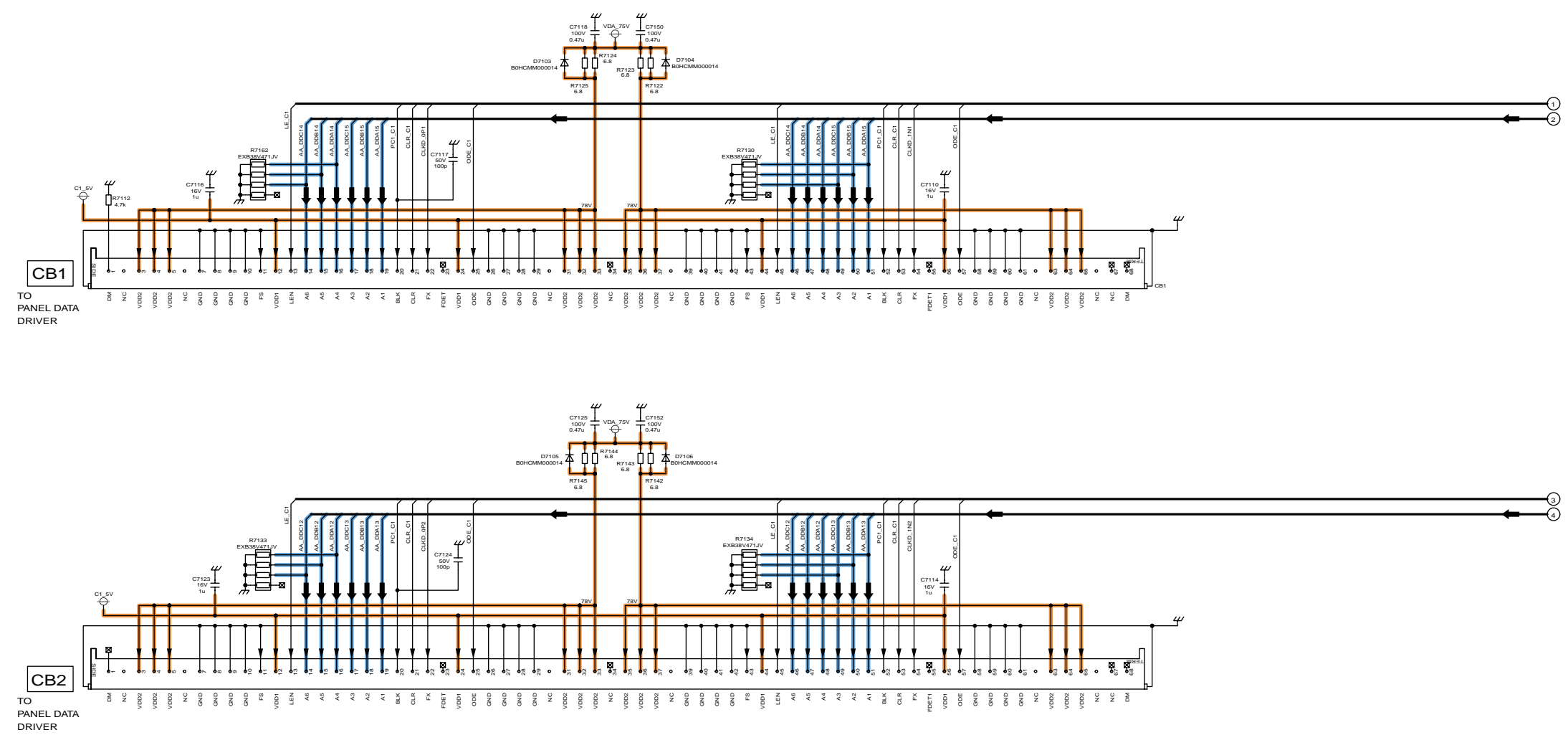
A

B

C

D

E



TH-42PR10U
C1-Board (1 of 2) Schematic Diagram

TH-42PR10U
C1-Board (1 of 2) Schematic Diagram

1

2

3

4

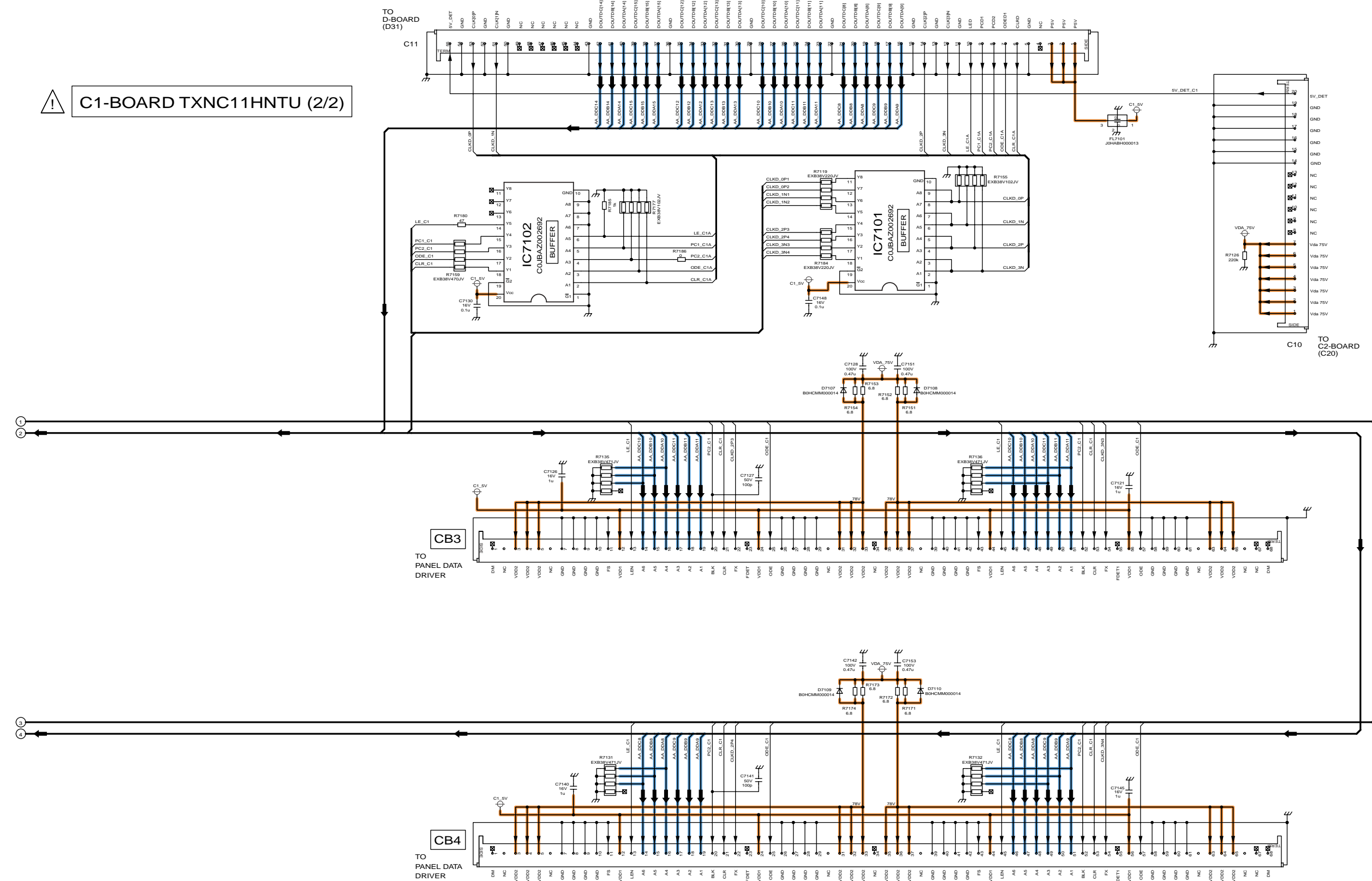
5

6

7

8

15.39. C1-Board (2 of 2) Schematic Diagram (42inch)



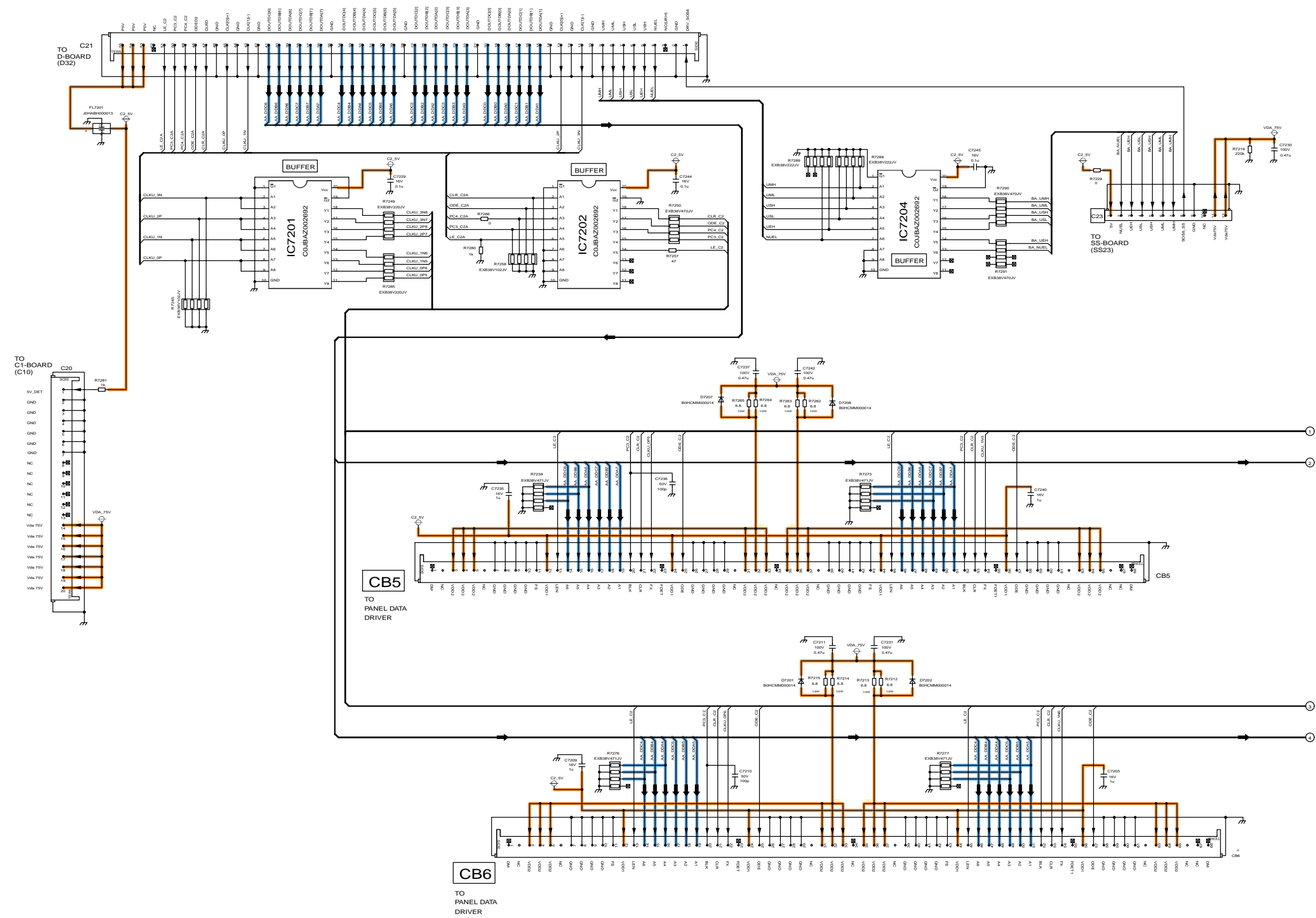
TH-42PR10U
C1-Board (2 of 2) Schematic Diagram

TH-42PR10U
C1-Board (2 of 2) Schematic Diagram

15.40. C2-Board (1 of 2) Schematic Diagram (37inch)

⚠ C2-BOARD TXNC21HPTUJ (1/2)

A
B
C
D
E
F



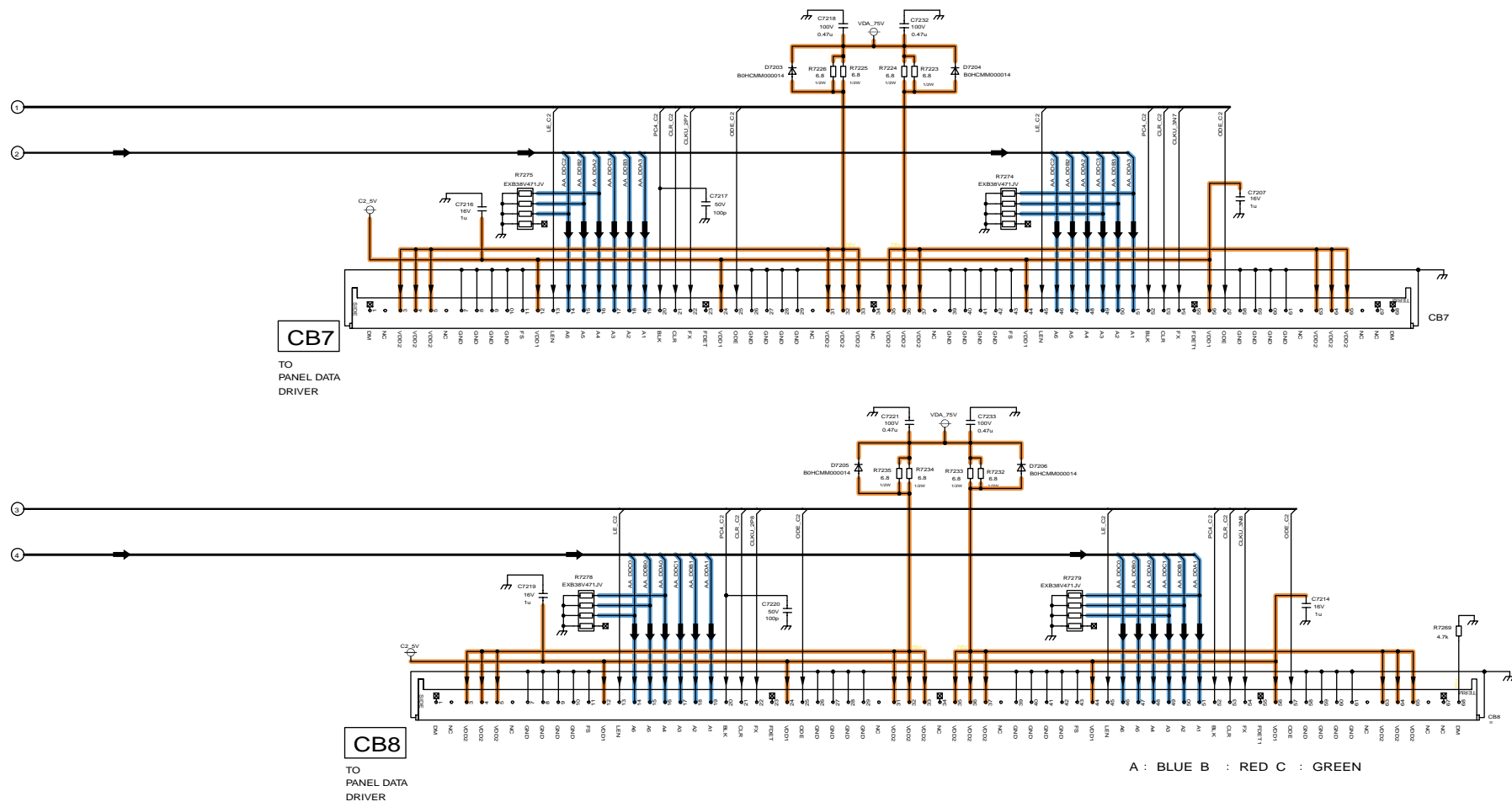
TH-37PR10U
C2-Board (1 of 2) Schematic Diagram

TH-37PR10U
C2-Board (1 of 2) Schematic Diagram

1 2 3 4 5 6 7 8 9

15.41. C2-Board (2 of 2) Schematic Diagram (37inch)

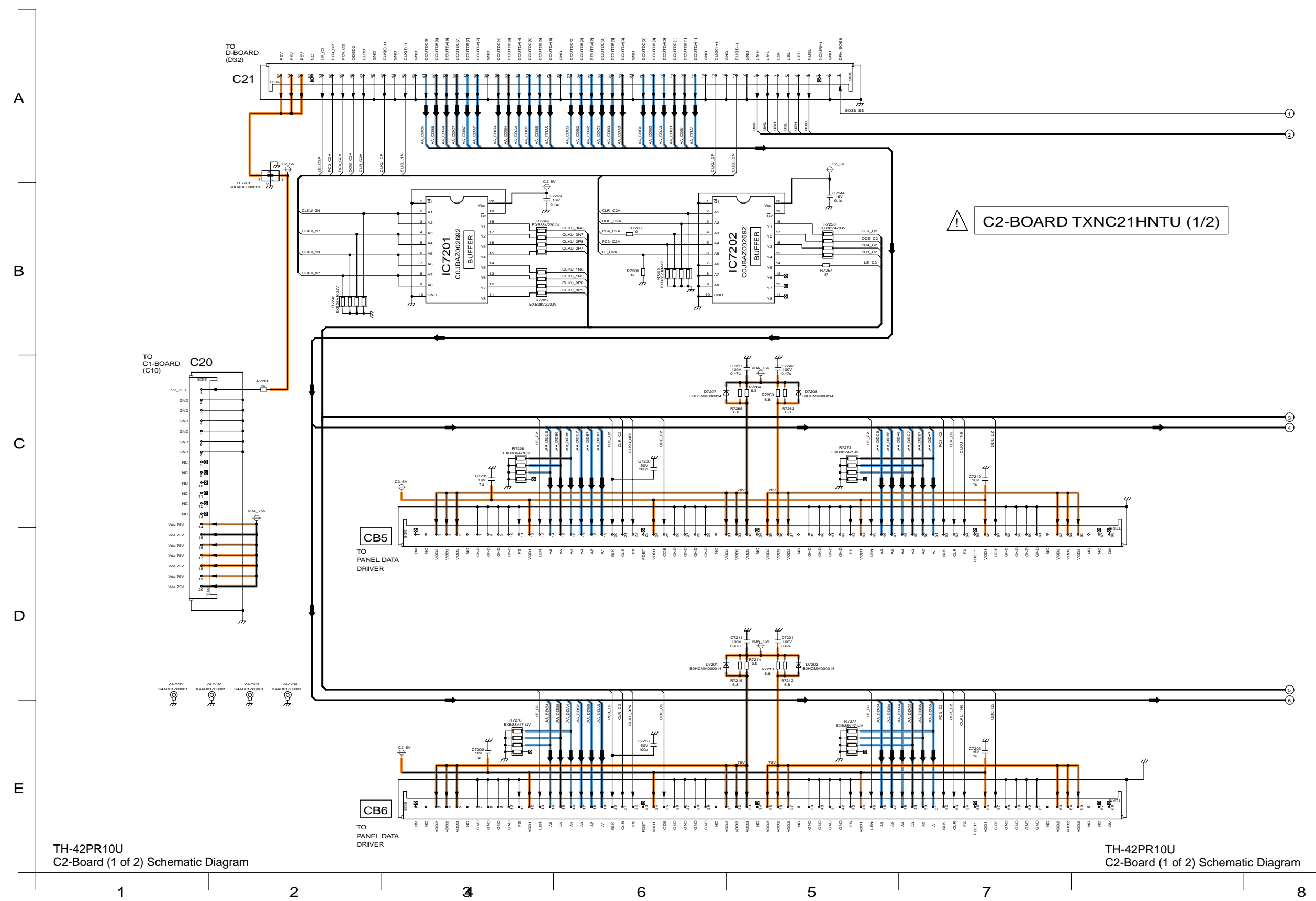
⚠ C2-BOARD TXNC21HPTUJ (2/2)



TH-37PR10U
C2-Board (2 of 2) Schematic Diagram

TH-37PR10U
C2-Board (2 of 2) Schematic Diagram

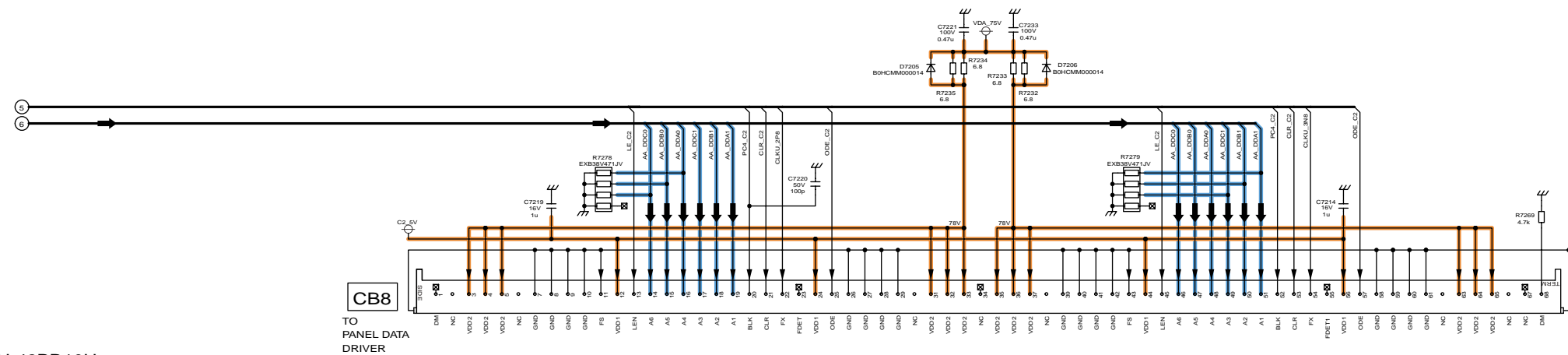
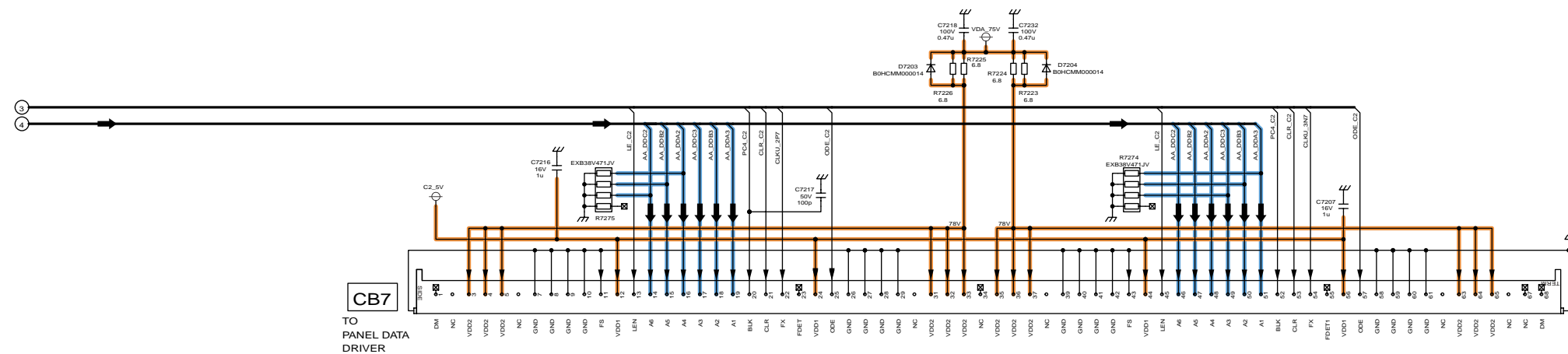
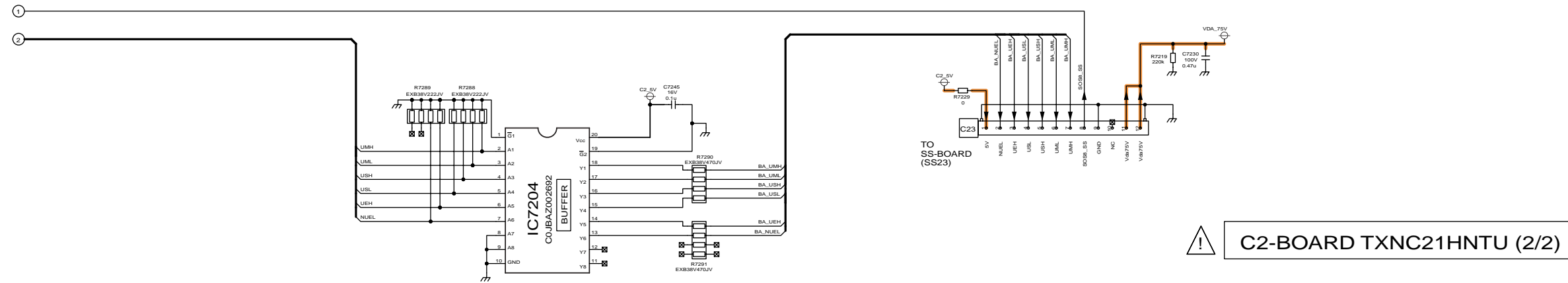
15.42. C2-Board (1 of 2) Schematic Diagram (42inch)



TH-42PR10U
C2-Board (1 of 2) Schematic Diagram

TH-42PR10U
C2-Board (1 of 2) Schematic Diagram

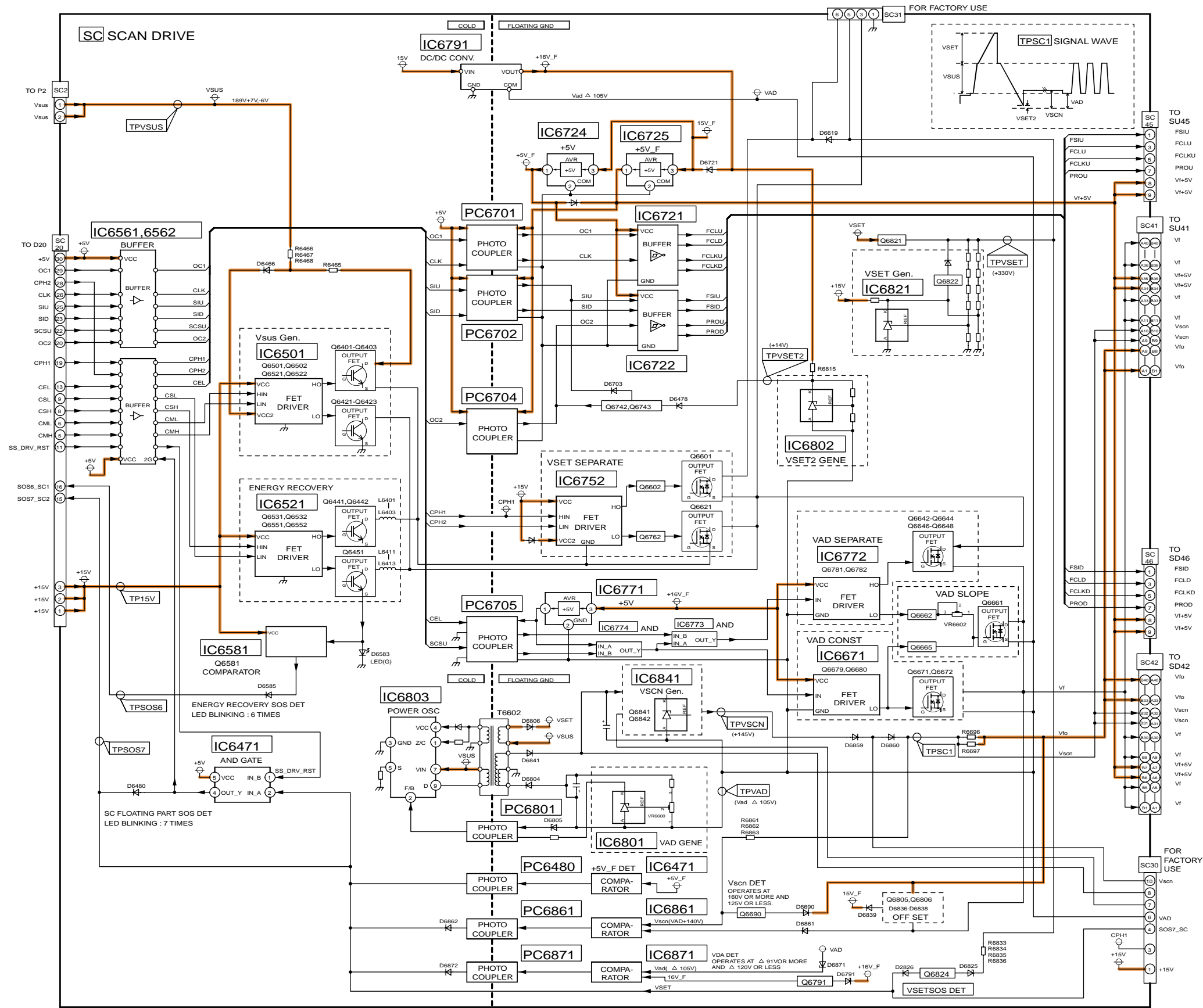
15.43. C2-Board (2 of 2) Schematic Diagram (42inch)



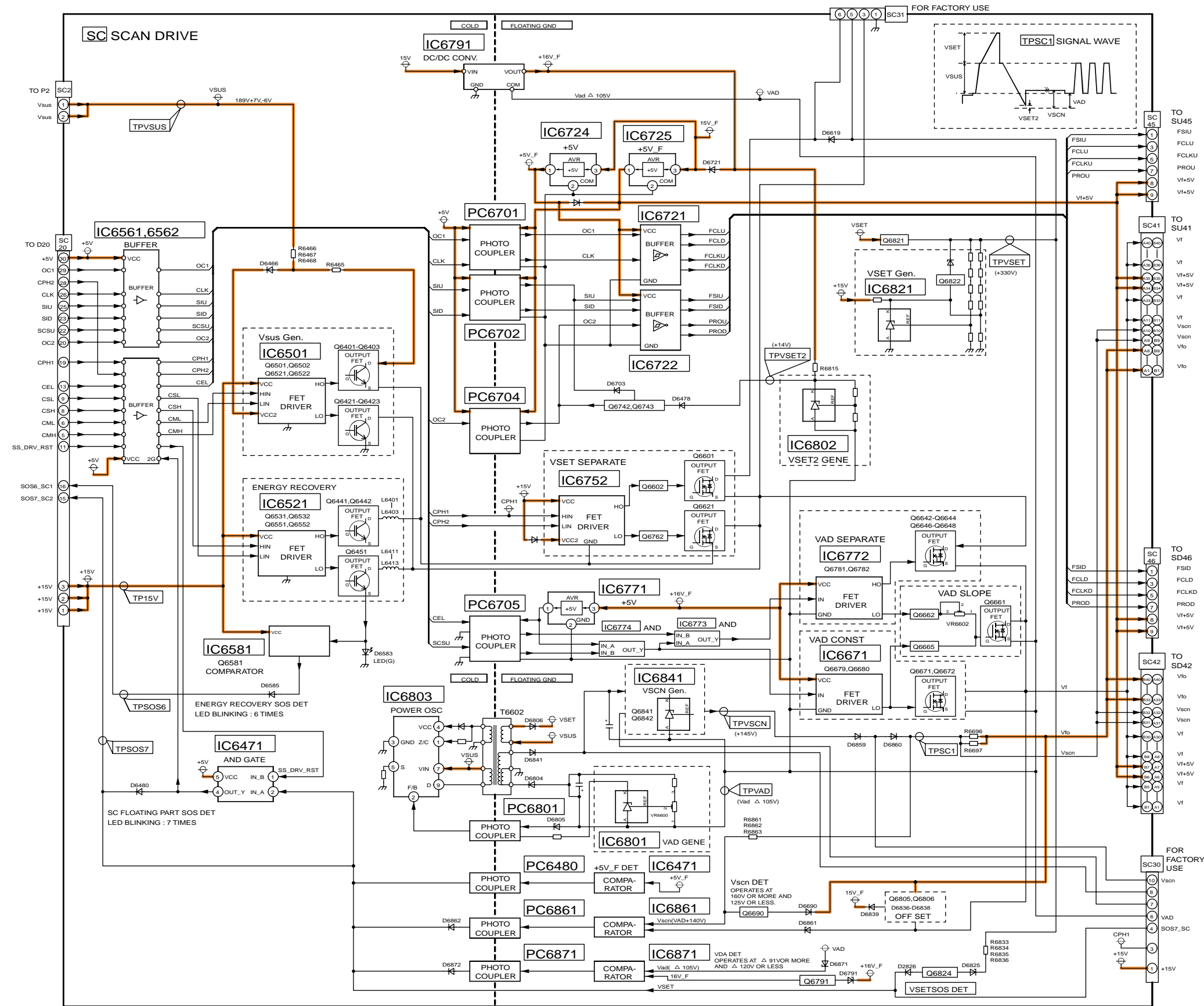
TH-42PR10U
C2-Board (2 of 2) Schematic Diagram

TH-42PR10U
C2-Board (2 of 2) Schematic Diagram

15.44. SC-Board Block Diagram



15.47. SU and SD-Board Block Diagram



TH-37/42PR10U
SC-Board Block Diagram

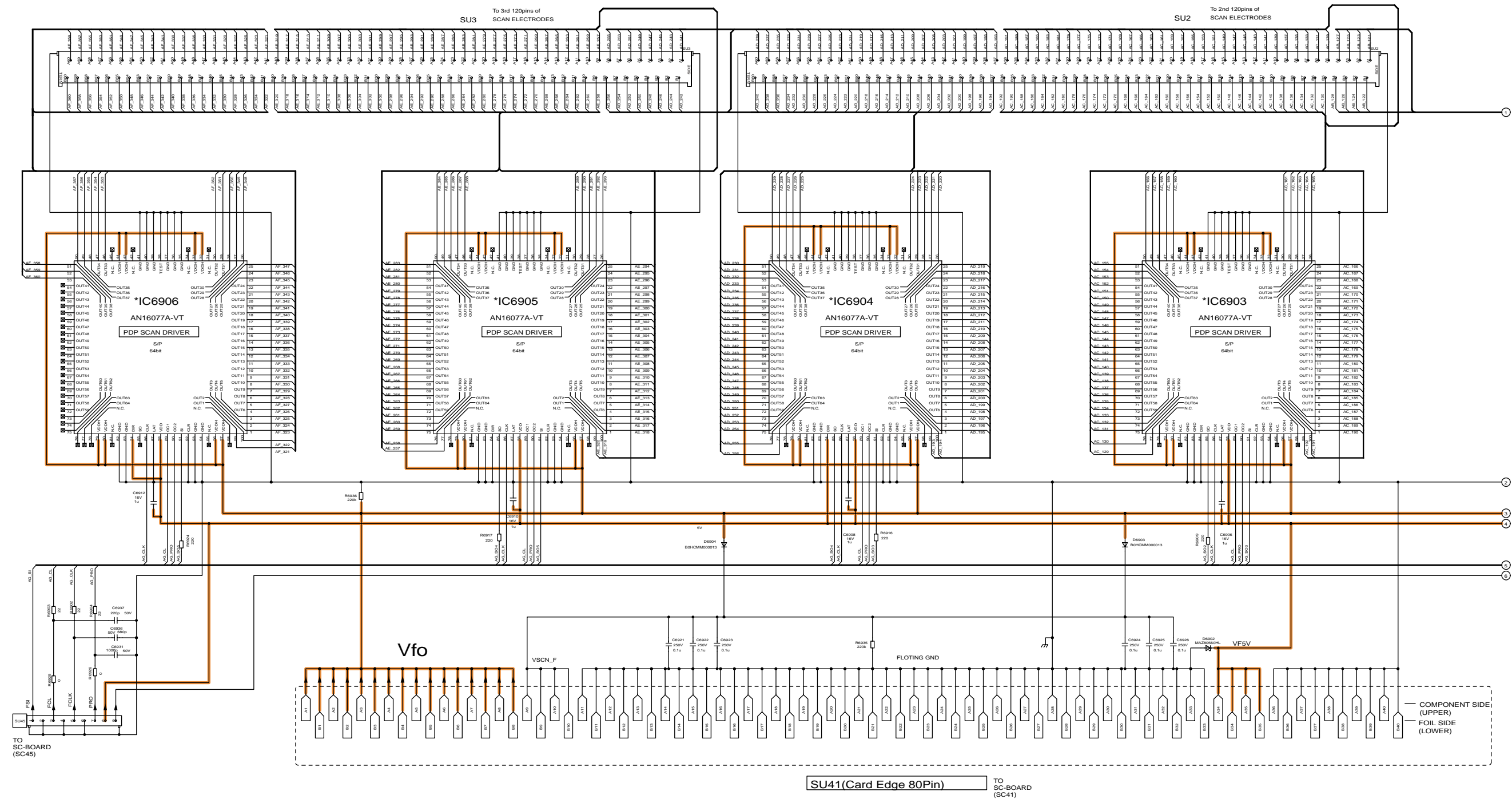
TH-37/42PR10U
SC-Board Block Diagram

15.48. SU-Board (1 of 2) Schematic Diagram (37inch)

⚠ SU-BOARD TXNSU1HPTUJ (1/2)

UP

A
B
C
D
E
F

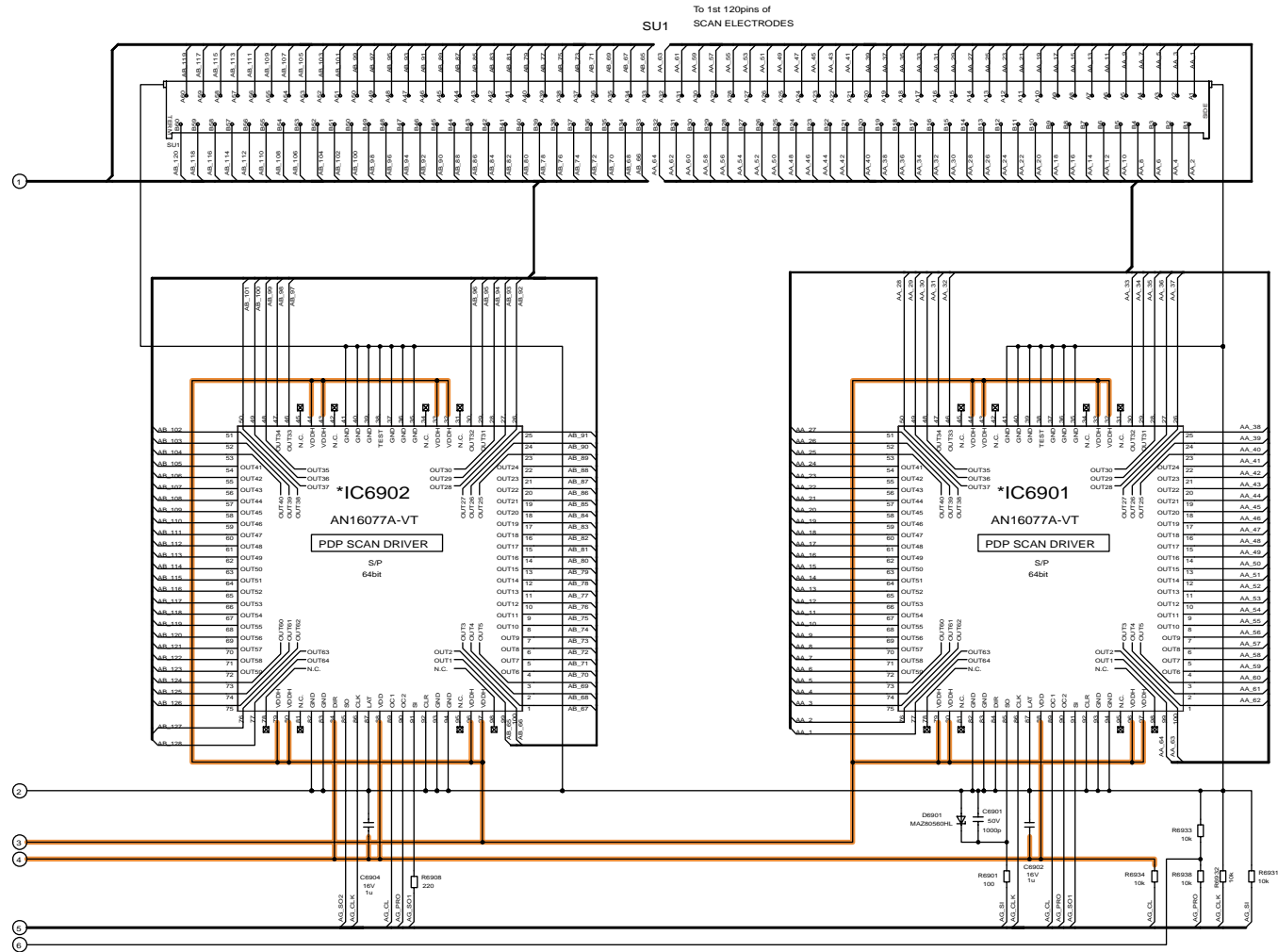


TH-37PR10U
SU-Board (1 of 2) Schematic Diagram

TH-37PR10U
SU-Board (1 of 2) Schematic Diagram

15.49. SU-Board (2 of 2) Schematic Diagram (37inch)

! SU-BOARD TXNSU1HPTUJ (2/2)



15.50. SU-Board (1 of 2) Schematic Diagram (42inch)

SU-BOARD TXNSU1HNTU (1/2)

A

B

C

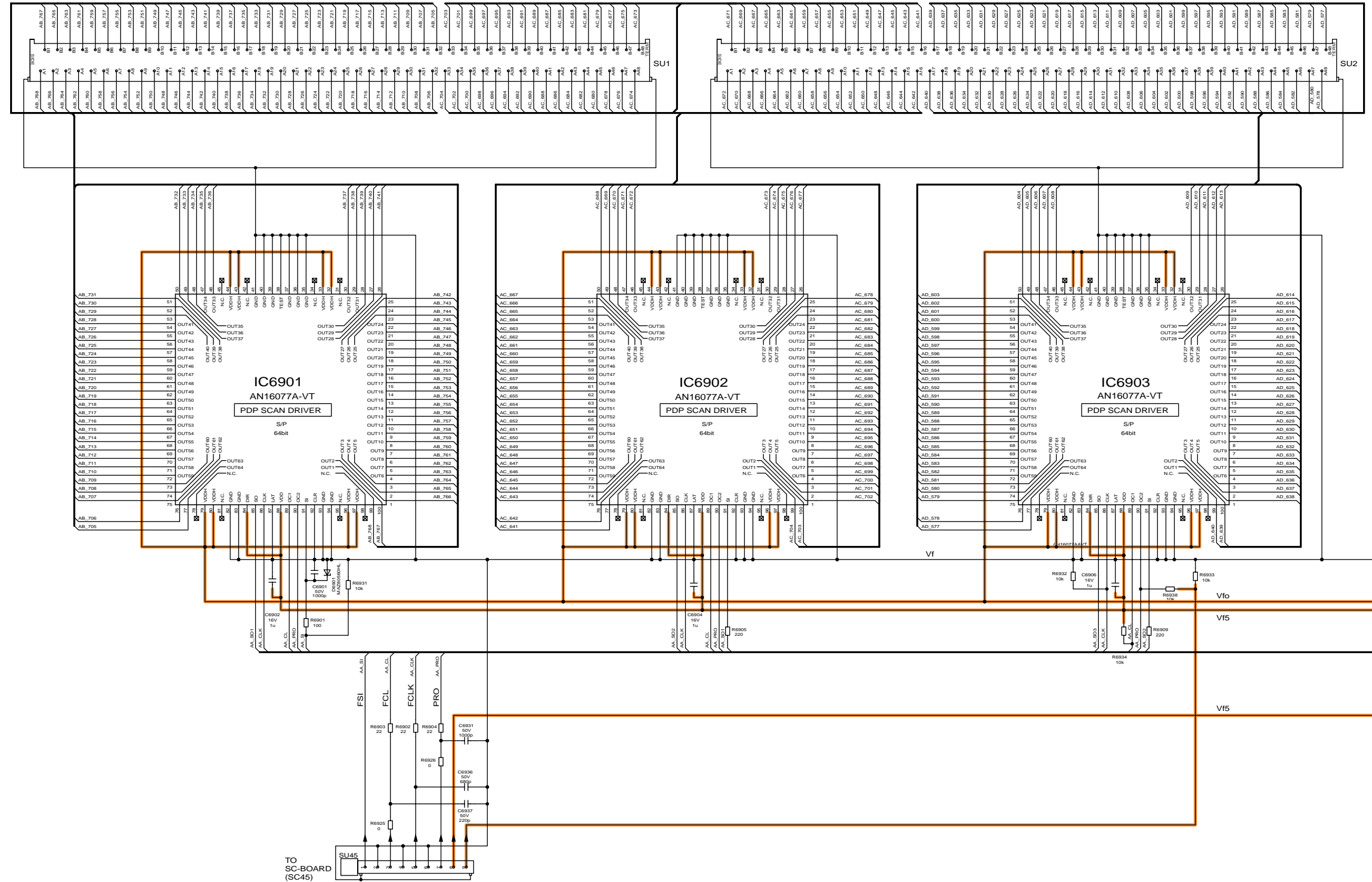
D

E

UP

To 1st 96pins of
SCAN ELECTRODES

To 2nd 96pins of
SCAN ELECTRODES



TH-42PR10U
SU-Board (1 of 2) Schematic Diagram

TH-42PR10U
SU-Board (1 of 2) Schematic Diagram

1

2

3

4

5

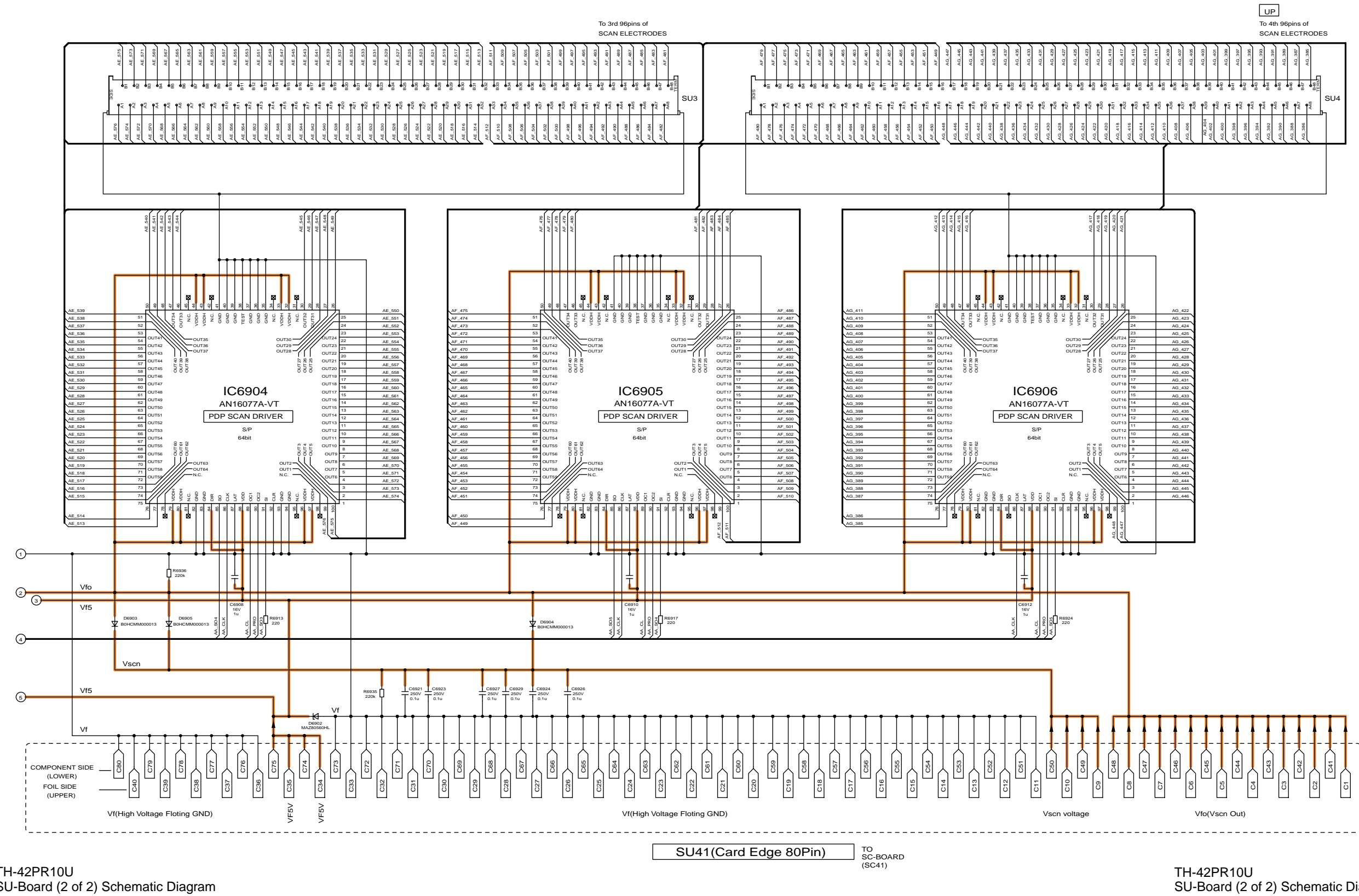
6

7

8

15.51. SU-Board (2 of 2) Schematic Diagram (42inch)

SU-BOARD TXNSU1HNTU (2/2)



TH-42PR10U
SU-Board (2 of 2) Schematic Diagram

TH-42PR10U
SU-Board (2 of 2) Schematic Diagram

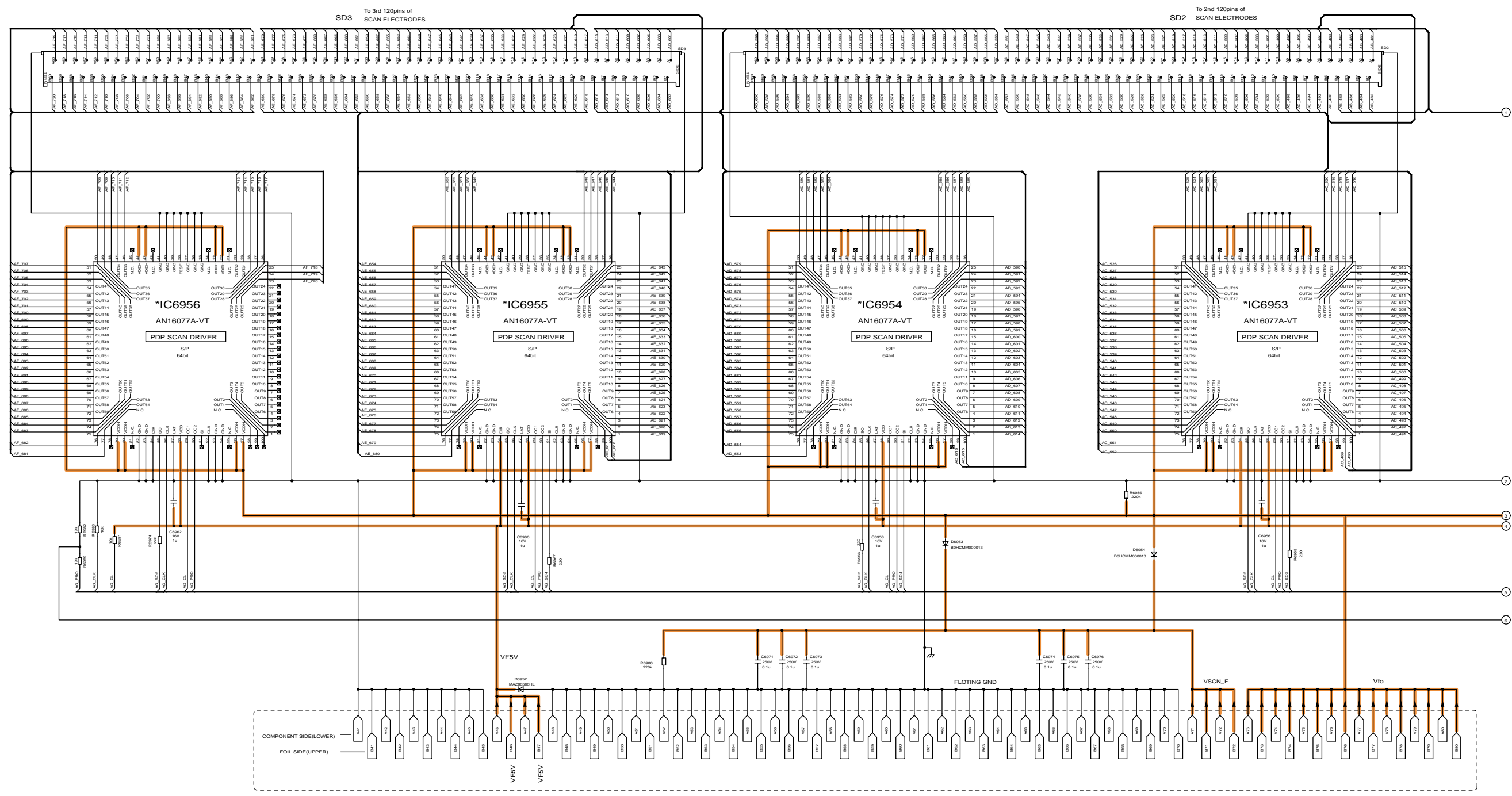
8 9 10 11 12 13 14 15

15.52. SD-Board (1 of 2) Schematic Diagram (37inch)

SD-BOARD TXNSD1HPTUJ (1/2)

DOWN

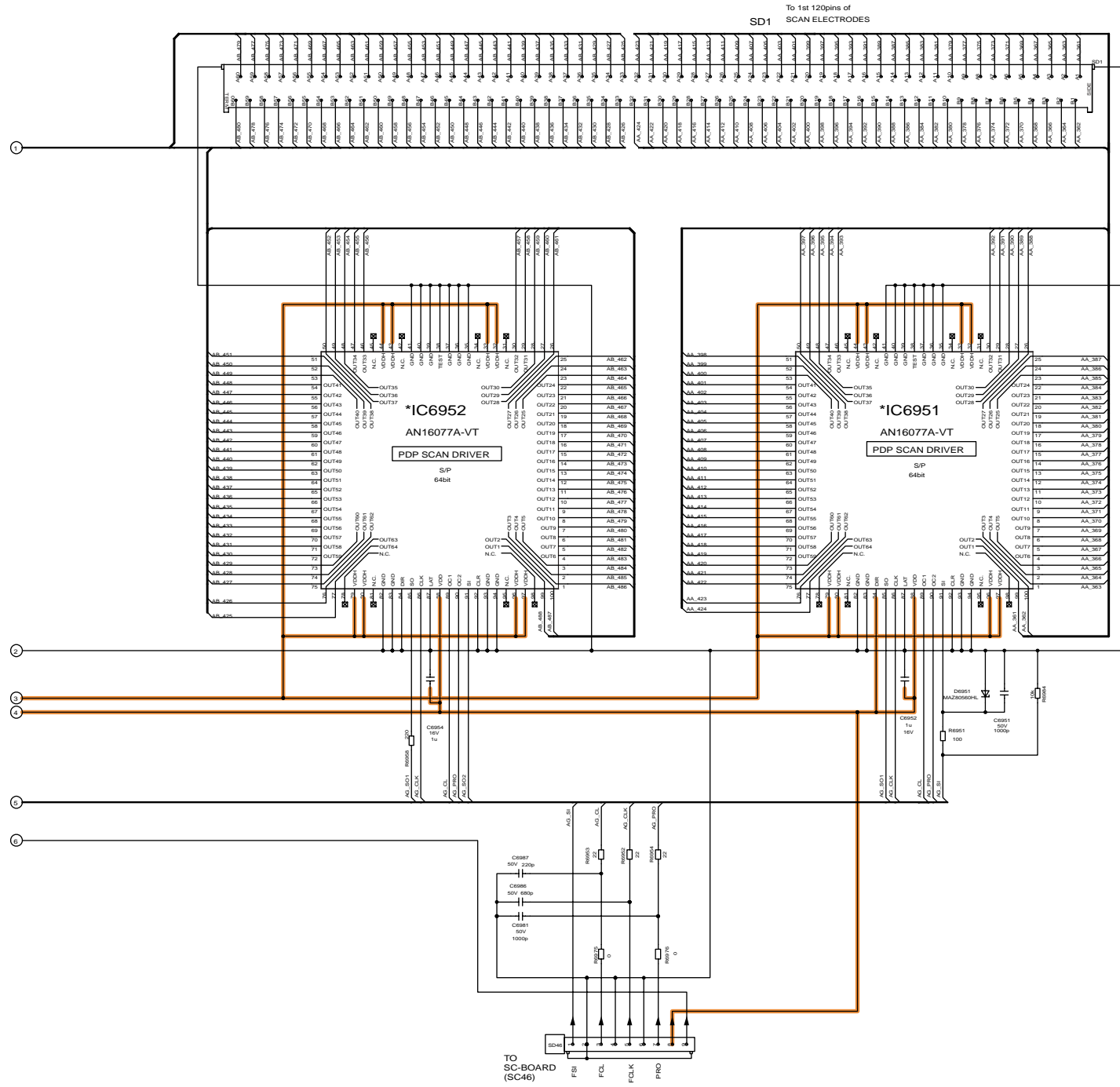
A
B
C
D
E
F



SD42(Card Edge 80Pin) TO SD-BOARD (SD42)

15.53. SD-Board (2 of 2) Schematic Diagram (37inch)

SD-BOARD TXNSD1HPTUJ (2/2)



15.54. SD-Board (1 of 2) Schematic Diagram (42inch)

SD-BOARD TXNSD1HNTU (1/2)

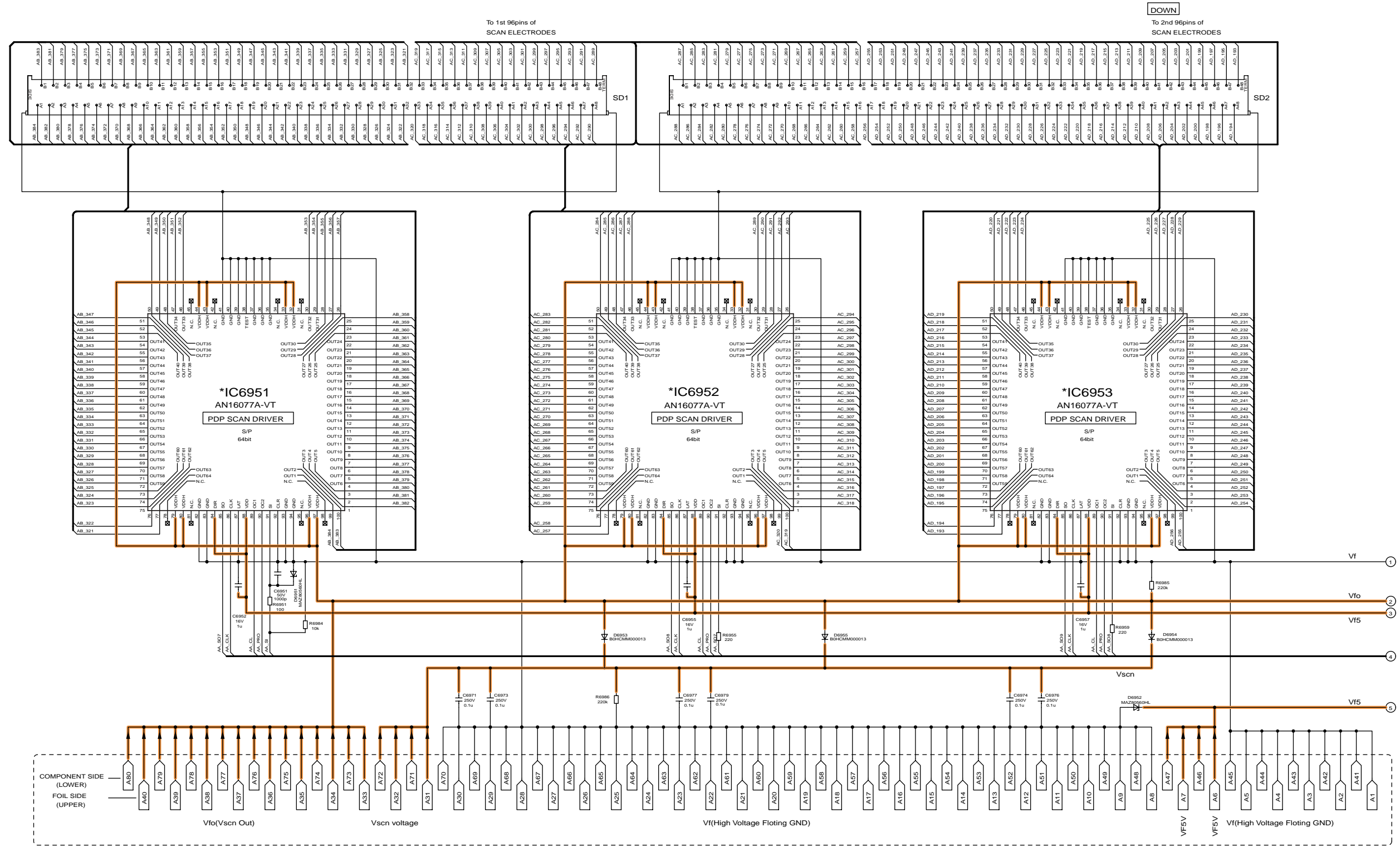
A

B

C

D

E



SD42(Card Edge 80Pin) TO SD-BOARD (SD42)

TH-42PR10U SD-Board (1 of 2) Schematic Diagram

TH-42PR10U SD-Board (1 of 2) Schematic Diagram

1

2

3

4

5

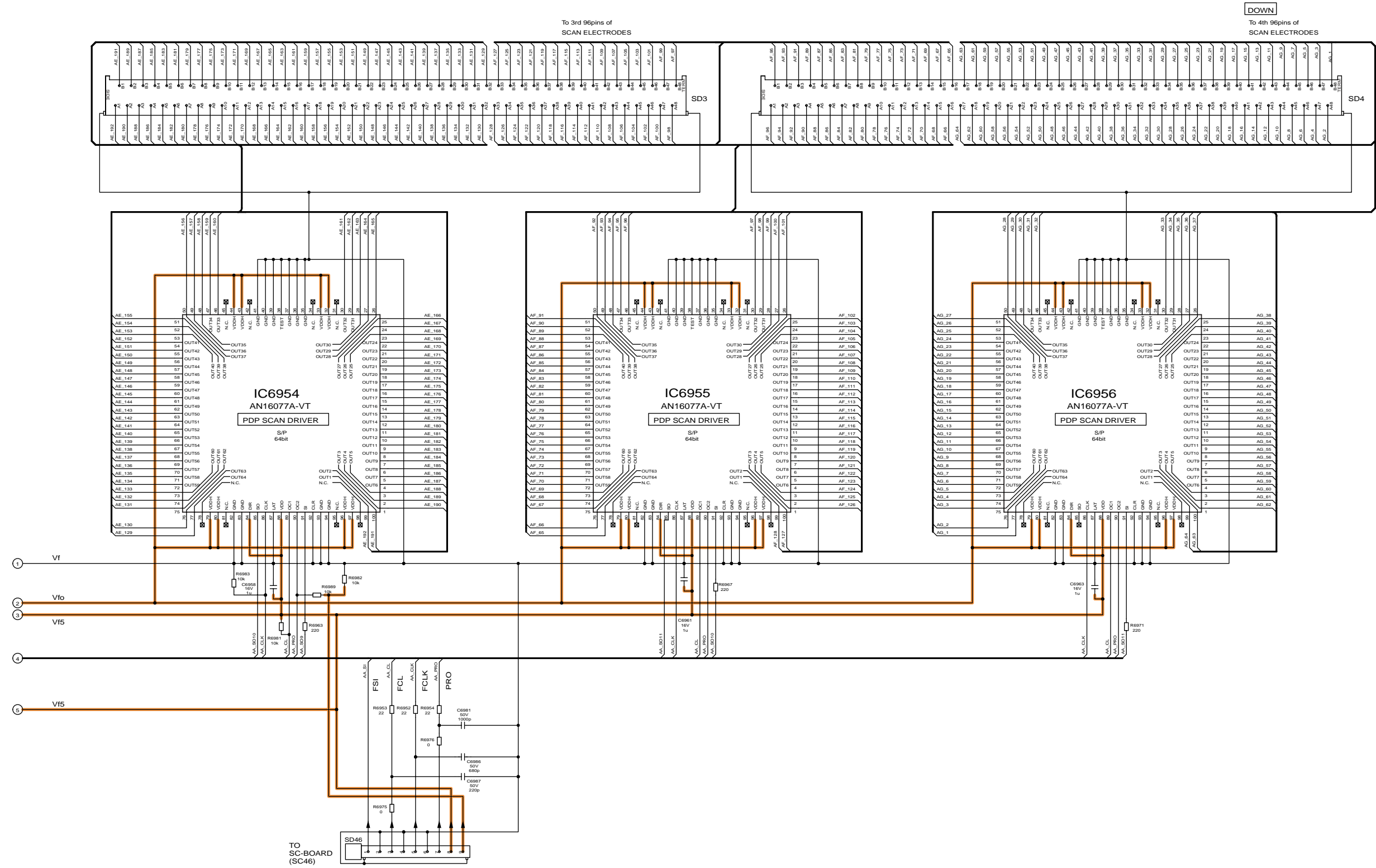
6

7

8

15.55. SD-Board (2 of 2) Schematic Diagram (42inch)

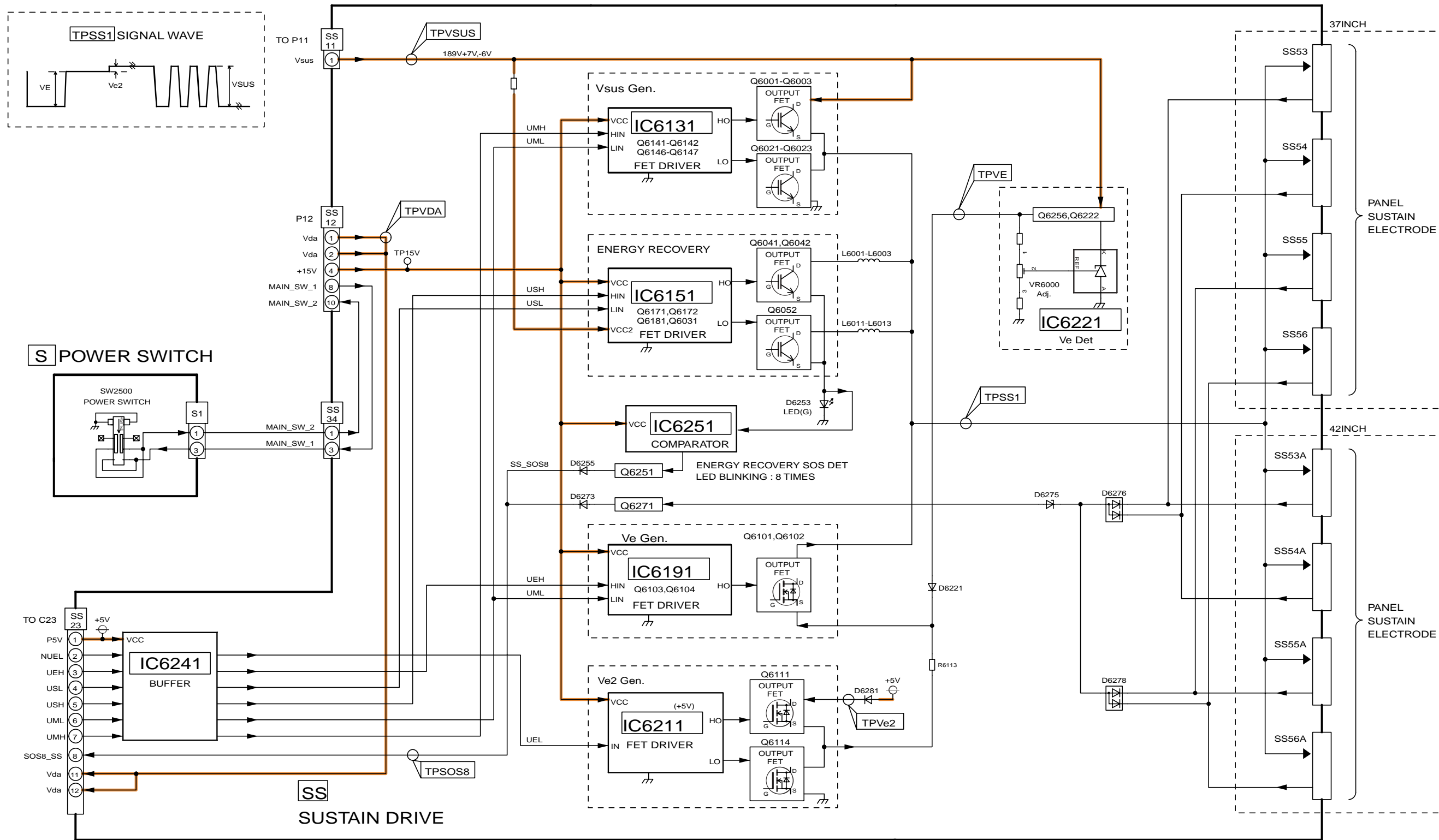
SD-BOARD TXNSD1HNTU (2/2)



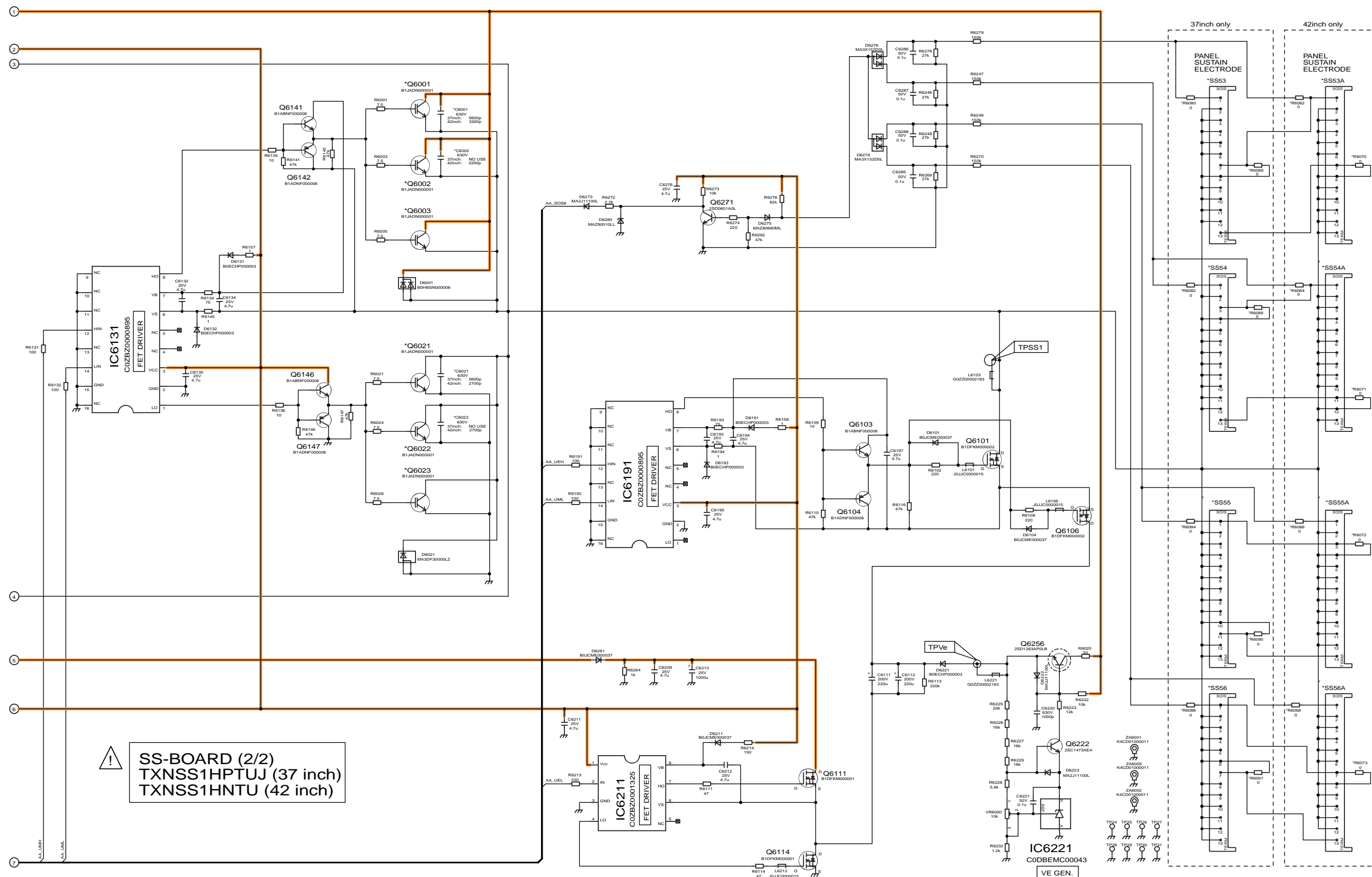
TH-42PR10U SD-Board (2 of 2) Schematic Diagram

TH-42PR10U SD-Board (2 of 2) Schematic Diagram

15.56. SS and S-Board Block Diagram



15.58. SS and S-Board (2 of 2) Schematic Diagram



SS-BOARD (2/2)
TXNSS1HPTUJ (37 inch)
TXNSS1HNTU (42 inch)

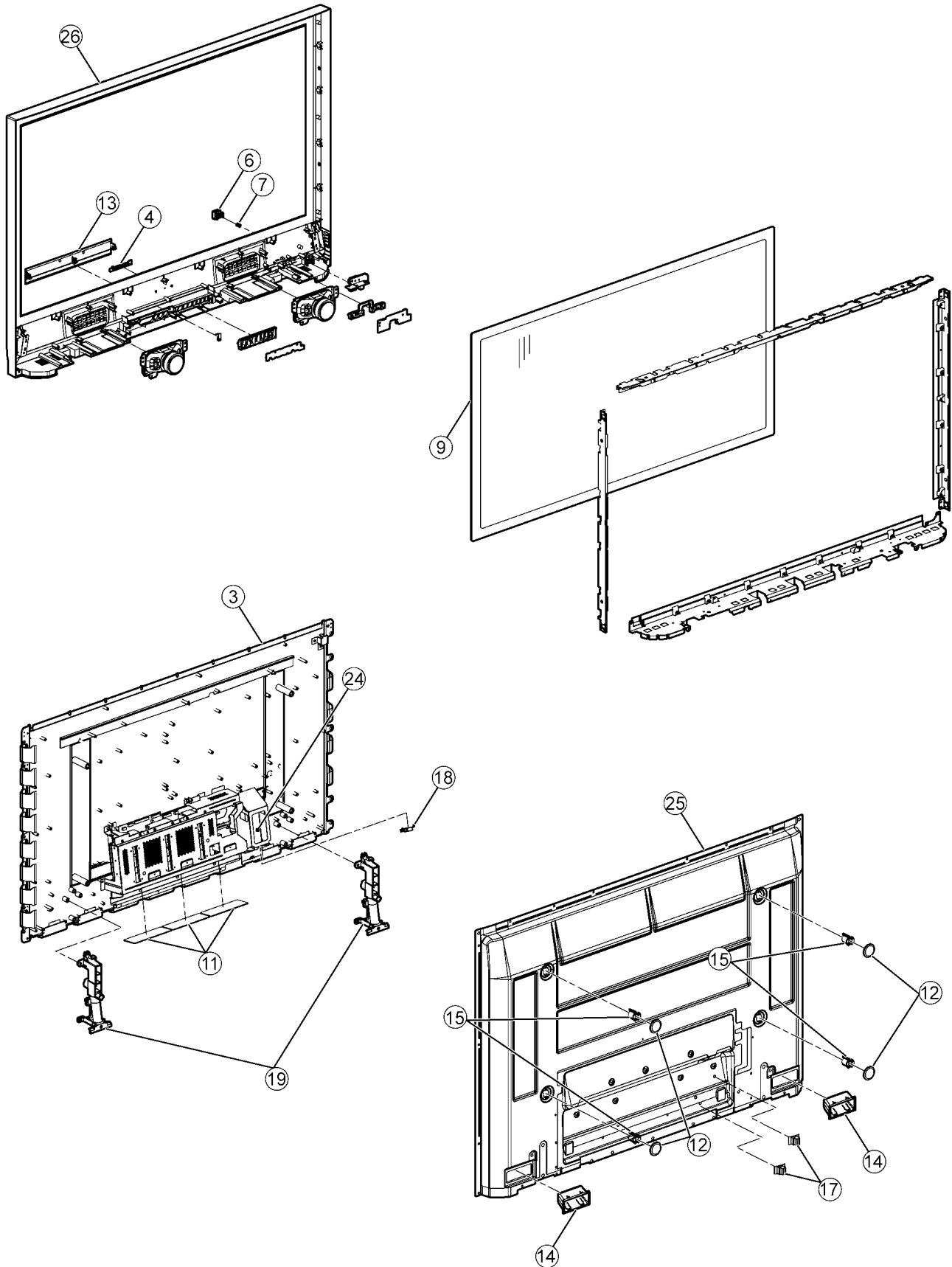
TH-37/42PR10U
SS-Board (2 of 2) Schematic Diagram

TH-37/42PR10U
SS-Board (2 of 2) Schematic Diagram

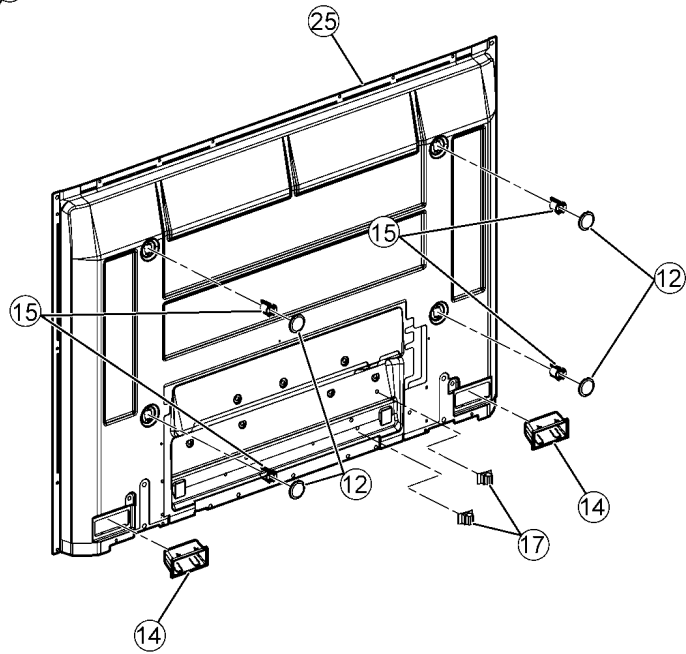
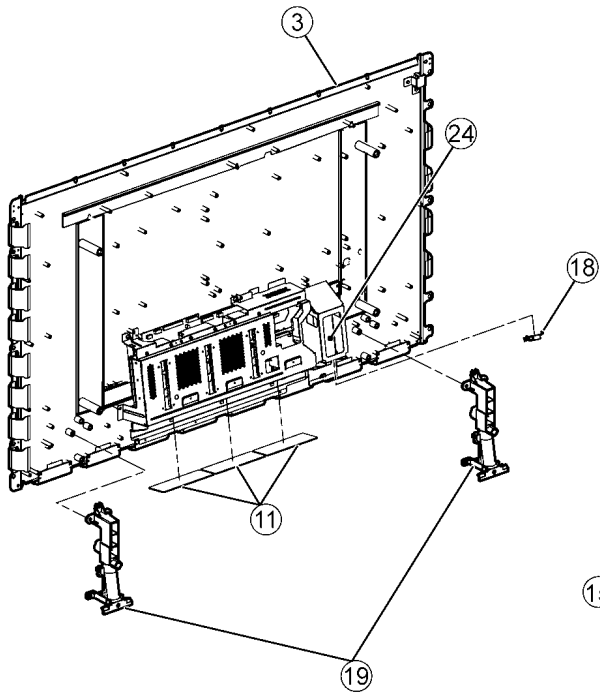
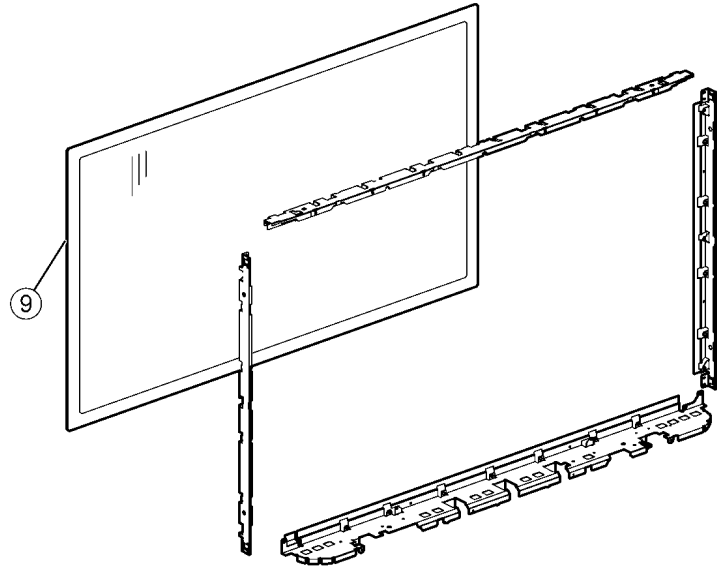
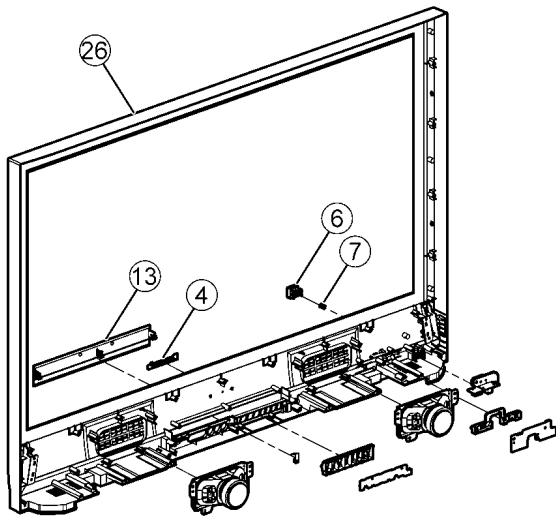
16 Parts Location

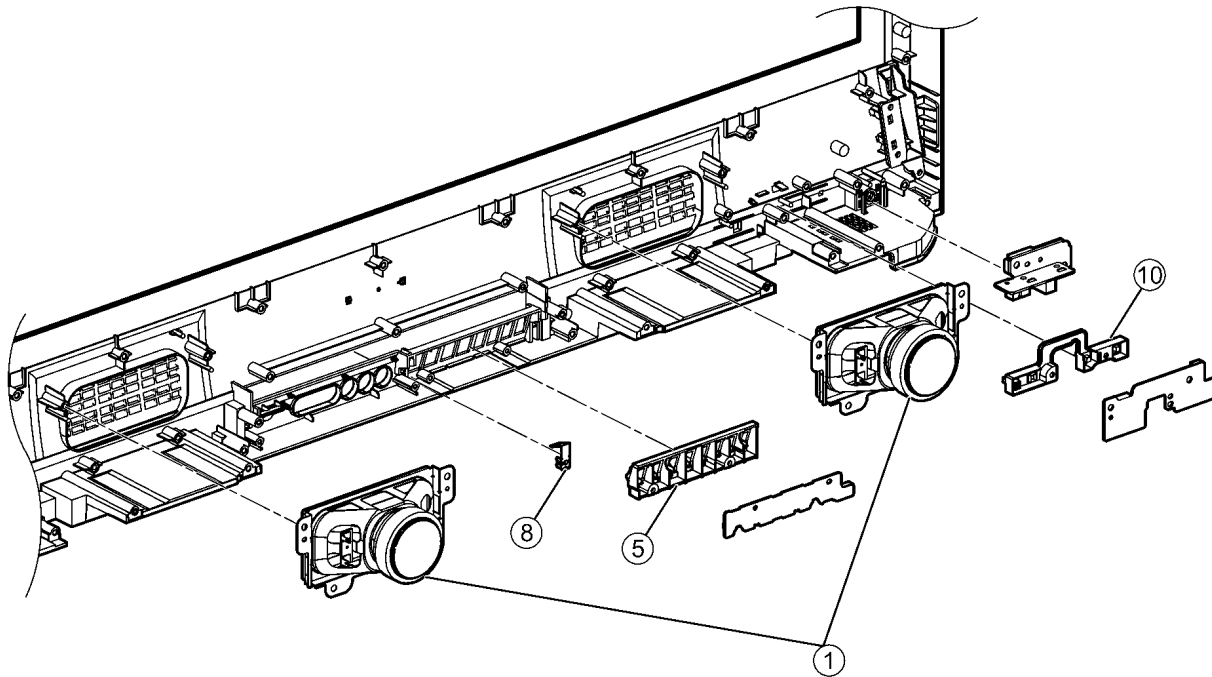
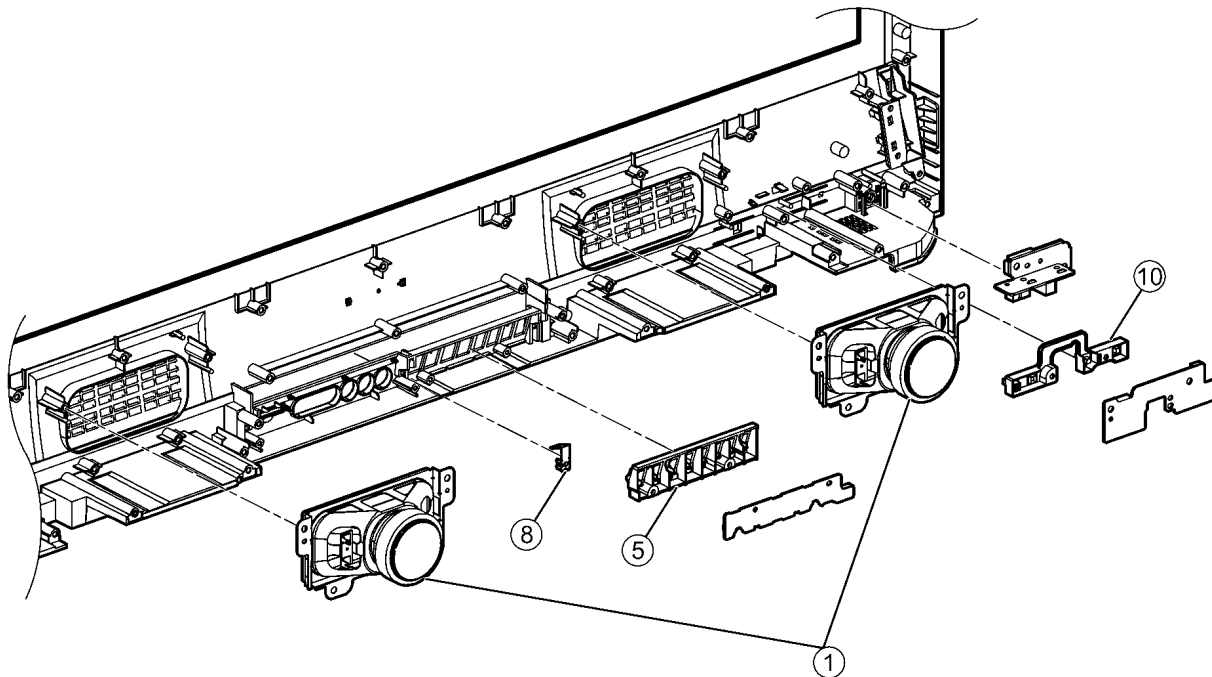
16.1. Exploded View

16.1.1. TH-37PR10U



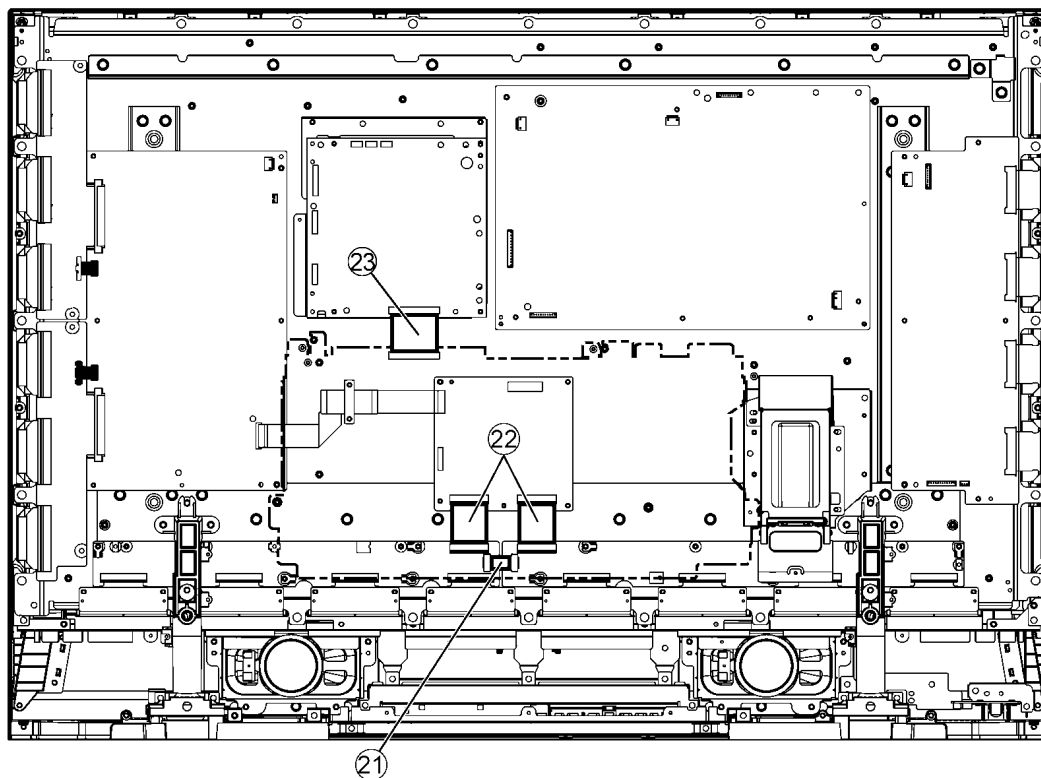
16.1.2. TH-42PR10U



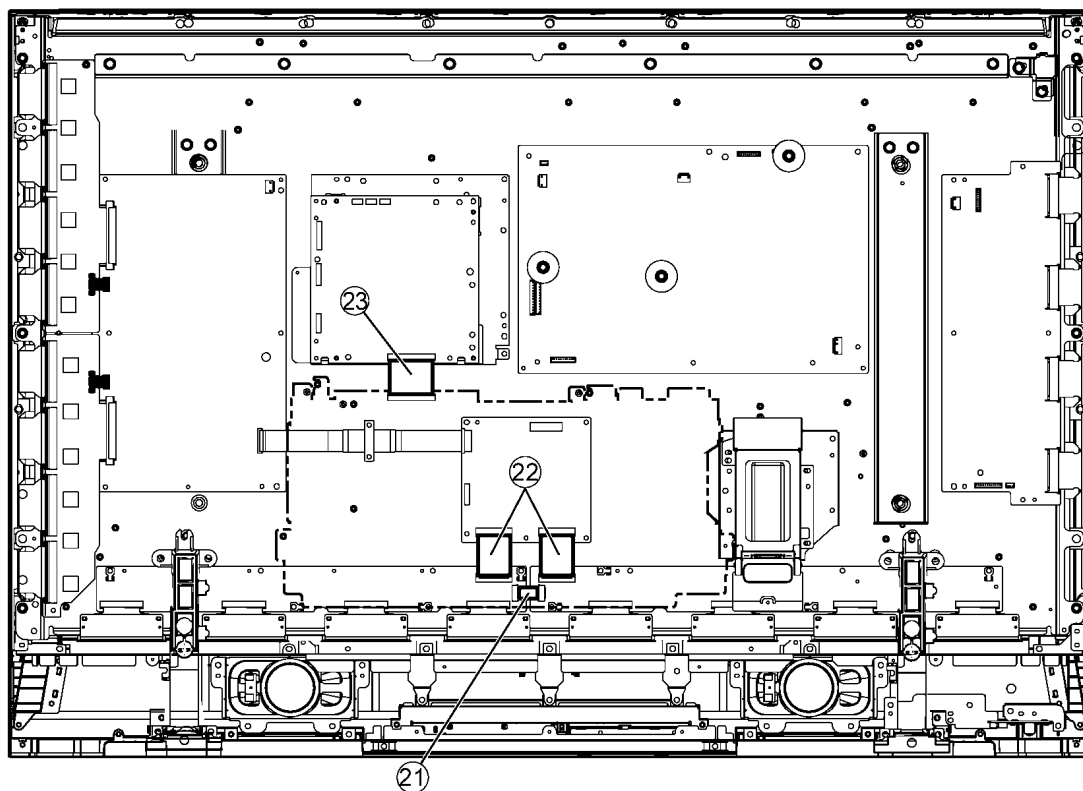
16.1.3. Escutcheon part location enlarged view (for 37 inch)**16.1.4. Escutcheon part location enlarged view (for 42 inch)**

16.2. Cable relation

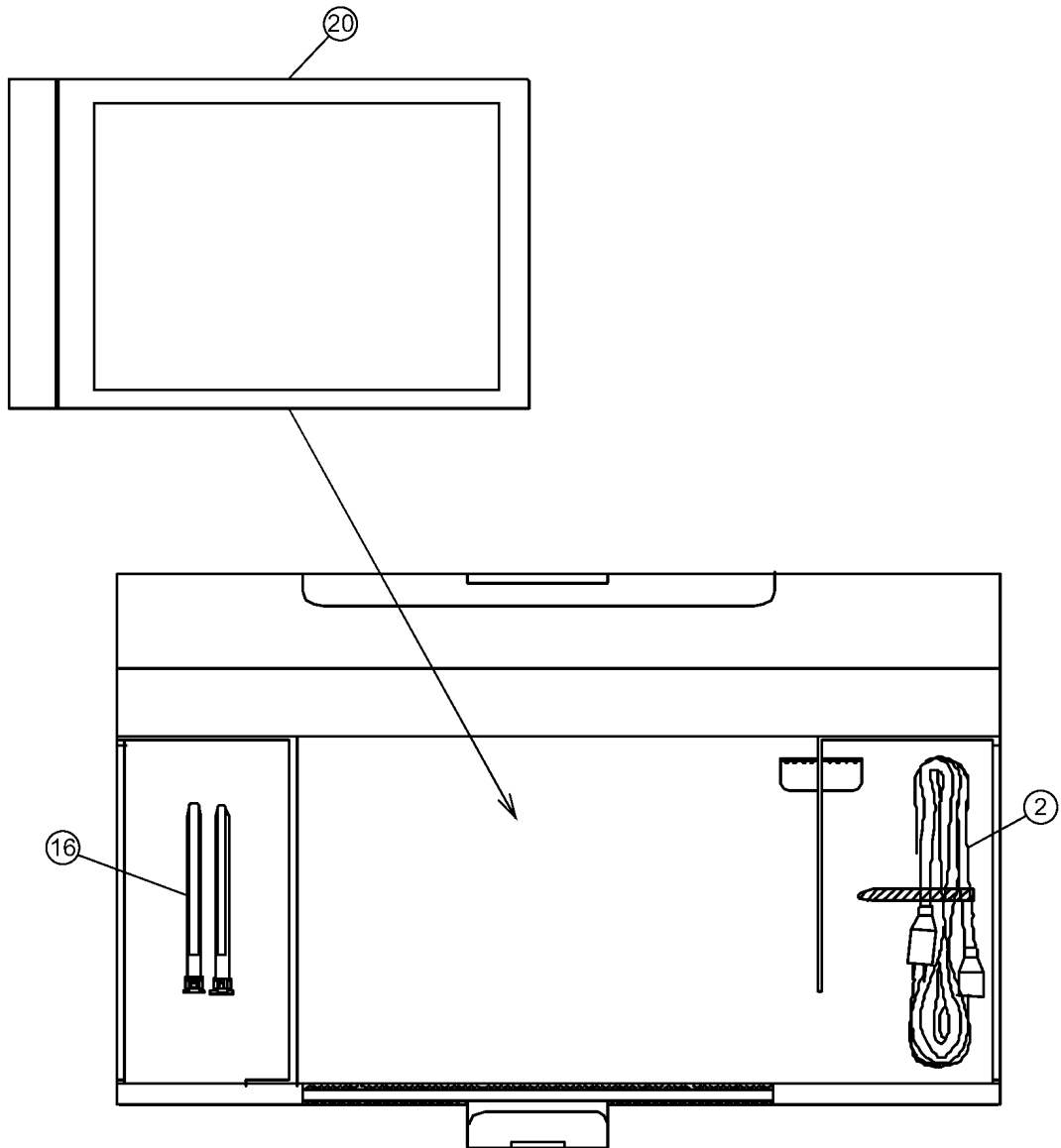
16.2.1. TH-37PR10U



16.2.2. TH-42PR10U



16.3. Accessories Box



17 Mechanical Replacement Parts List

TH-37/42PR10U

Ref. No.	Part No.	Part Name & Description	Pcs	Remarks
1	EAS12S10A	SPEAKER	2	TH-37PR10U
1	EAS12S10A	SPEAKER	2	TH-42PR10U
	J0KF00000038	CORE	1	TH-42PR10U
	J0KF00000038	CORE	1	TH-42PR10U
	J0KG00000042	NOISE FILTER	1	TH-42PR10U
	K1YD80000002	80P CONNECTOR	1	
2	K2CG3YY00023	AC CORD	1	PAVCA ▲
3	MD37H10A1J	PLASMA DISPLAY PANEL	1	TH-37PR10U ▲
3	MD42H10A1J	PLASMA DISPLAY PANEL	1	TH-42PR10U ▲
4	TBMA185	PANASONIC BADGE	1	TH-37PR10U
4	TBMA185	PANASONIC BADGE	1	TH-42PR10U
5	TXFBX01ZSTU	CONTROL BUTTON	1	PAVCA TH-37PR10U
5	TBX2AA3602	CONTROL BUTTON	1	PAVCA TH-42PR10U
6	TBX2AA3703	POWER BUTTON	1	PAVCA TH-37PR10U
6	TBX2AA3703	POWER BUTTON	1	PAVCA TH-42PR10U
7	TES2AA0141	SPRING	1	PAVCA TH-37PR10U
7	TES2AA0141	SPRING	1	PAVCA TH-42PR10U
8	TES2AA0161	LEAF SPRING	1	PAVCA TH-37PR10U
8	TES2AA0161	LEAF SPRING	1	PAVCA TH-42PR10U
9	TKGA5323S	FRONT GLASS	1	PAVCA TH-37PR10U
9	TKGA5324S	FRONT GLASS	1	PAVCA TH-42PR10U
10	TKK2AA7001	PANEL LIGHT	1	PAVCA TH-37PR10U
10	TKK2AA7001	PANEL LIGHT	1	PAVCA TH-42PR10U
11	TKKL5266	COVER	3	TH-37PR10U
11	TKKL5266	COVER	3	TH-42PR10U
12	TKP2AA1932	M8 SPACER CAP	4	PAVCA TH-37PR10U
12	TKP2AA1932	M8 SPACER CAP	4	PAVCA TH-42PR10U
13	TKR2AA00112	DOOR LID	1	PAVCA TH-37PR10U
13	TKR2AA00112	DOOR LID	1	PAVCA TH-42PR10U
14	TKR2AA00122	REAR COVER HANDLE	2	PAVCA TH-37PR10U ▲
14	TKR2AA00122	REAR COVER HANDLE	2	PAVCA TH-42PR10U ▲
	TMM14490	CLAMPER	3	
	TMM15414-2	CLAMPER	1	
	TMM16473-1	CLAMPER	1	
	TMM17434-2	CLAMPER	1	
	TMM17499	CLAMPER	1	▲
	TMM25401	CLAMPER	1	TH-42PR10U
15	TMM2AD00601	M8 SPACER	4	PAVCA TH-37PR10U
15	TMM2AD00601	M8 SPACER	4	PAVCA TH-42PR10U
	TMM6496-1	CLAMPER	1	TH-42PR10U
	TMM7464-2	CLAMPER	3	
	TMM7468-1	CLAMPER	2	
	TMD010	CLAMPER	1	
	TMME061	CLAMPER	5	
	TMME088	CLAMPER	1	
	TMME185	CLAMPER	2	
	TMME190	CLAMPER	1	TH-37PR10U
	TMME190	CLAMPER	2	TH-42PR10U
16	TMME203	CLAMPER	2	
	TMME217	CLAMPER	1	
17	TMME226	AC CORD CLAMPER	2	TH-37PR10U

Ref. No.	Part No.	Part Name & Description	Pcs	Remarks
17	TMME226	AC CORD CLAMPER	2	TH-42PR10U
	TMME228	CLAMPER	2	
	TMME260	CLAMPER	1	
	TMME287	CLAMPER	1	
	TMME292	CLAMPER	1	
	TMMX169	AC CODE CLAMPER B	1	PAVCA TH-37PR10U
18	TMMX181	AC CODE CLAMPER A	1	PAVCA TH-37PR10U
18	TMMX181	AC CODE CLAMPER A	1	PAVCA TH-42PR10U
19	TMZ2AX0011	STAND BRACKET	2	PAVCA TH-37PR10U
19	TMZ2AX0011	STAND BRACKET	2	PAVCA TH-42PR10U
	TPD169487	JOINT	4	
20	TQB2AA0801	INSTRUCTION BOOK (ENG/FRE/SPA)	1	PAVCA ▲
21	TSXL519	CABLE(C10-C20)	1	TH-37PR10U
21	TSXL519	CABLE(C10-C20)	1	TH-42PR10U
22	TSXL562	CABLE(D31-C11/D32-C21)	2	TH-37PR10U
22	TSXL562	CABLE(D31-C11/D32-C21)	2	TH-42PR10U
23	TSXL584	CABLE(DS1-DN1)	1	TH-37PR10U
23	TSXL584	CABLE(DS1-DN1)	1	TH-42PR10U
24	TXAUX02XNTUO	AC INLET ASSY	1	PAVCA TH-37PR10U ▲
24	TXAUX02XNTUO	AC INLET ASSY	1	PAVCA TH-42PR10U ▲
25	TXFKU13RSER	REAR COVER	1	PAVCA TH-42PR10U ▲
25	TXFKU18RSER	REAR COVER	1	PAVCA TH-37PR10U ▲
26	TXFKY08RSER	ESCUTCHEON ASSY	1	PAVCA TH-42PR10U ▲
26	TXFKY11QSER	ESCUTCHEON ASSY	1	PAVCA TH-37PR10U ▲
	TXJ/SPOXNT	SPEAKER LEAD(RELAY-SP)	1	PAVCA
	TXJDS70XNT	SPEAKER LEAD(DS7-SP)	1	PAVCA
	THEA068N	SCREW	4	
	THEL0239	SCREW	12	
	THEL0429	SCREW	14	
	THTD011J	SCREW	2	
	THTD0179	STEP SCREW(P-SPACER)	4	TH-37PR10U
	THTD0179	STEP SCREW(P-SPACER)	3	TH-42PR10U
	THTF011N	SCREW	83	TH-37PR10U
	THTF011N	SCREW	81	TH-42PR10U
	XTB4+12GFJ	SCREW	53	
	XTB4+12GFJK	SCREW	8	
	XTB4+16GFJ	SCREW	2	
	XTW3+10TFJ	SCREW	3	
	XYN3+F10FJ	SCREW	1	
	XYN3+F8FJ	SCREW	17	
	XYN3+J8FJ	SCREW	2	
	XYN3+J12FJ	SCREW	26	
	XYN4+E8FJ	SCREW	1	
	XYN4+F10FJ	SCREW	6	
	XYN4+F10FJK	SCREW	4	
	XYN4+F30FJK	SCREW (BC TOP6 SIDE6:AL)	6	
	XYN5+C15FJ	SCREW	8	

18 Replacement Parts List

18.1. Replacement Parts List Notes

Important Safety Notice

Components identified by \triangle mark have special characteristics important for safety. When replacing any of these components, use only manufacturer's specified parts.

RTL (Retention Time Limited)

Note: The marking (RTL) indicates that the Retention Time is Limited for this item. After the discontinuation of this assembly in production, the item will continue to be available for a specific period of time. The retention period of availability is dependant on the type of assembly, and in accordance with the laws governing part and product retention. After the end of this period, the assembly will no longer be available.

Abbreviation of part name and description

1. Resistor

Example:

ERD25TJ104 \underline{C} 100KOHM, \underline{J} , 1/4W
 Type Allowance

2. Capacitor

Example:

ECKF1H103ZF \underline{C} 0.01UF, \underline{Z} , 50V
 Type Allowance

Type	Allowance
C : Carbon	F : $\pm 1\%$
F : Fuse	G : $\pm 2\%$
M : Metal Oxide Metal Film	J : $\pm 5\%$
S : Solid	K : $\pm 10\%$
W : Wire Wound	M : $\pm 20\%$

Type	Allowance
C : Ceramic	C : $\pm 0.25\text{pF}$
E : Electrolytic	D : $\pm 0.5\text{pF}$
P : Polyester	F : $\pm 1\text{pF}$
Polypropylene	G : $\pm 3\text{pF}$
T : Tantalum	J : $\pm 5\text{pF}$
	K : $\pm 10\text{pF}$
	L : $\pm 15\text{pF}$
	M : $\pm 20\text{pF}$
	P : +100%, -0%
	Z : +80%, -20%

18.2. TH-37PR10U Electrical Replacement Parts List

Ref. No.	Part No.	Part Name & Description	Pcs	Remarks
F401.40 2	K5D802BNA005	TIME LAG FUSE HIGH	2	△
F403	K5G631B00007	FUSE	1	△
C10	K1MN20BA0231	20P CONNECTOR	1	
C11	K1MN55BA0076	55P CONNECTOR	1	
C20	K1MN20BA0231	20P CONNECTOR	1	
C21	K1MN55BA0076	55P CONNECTOR	1	
C23	K1KA12BA0107	12P CONNECTOR	1	
C404	F0CZZ335A097	E 0.033UF, 200V	1	
C406	F1E2J4730001	C 0.047PF, , 600V	1	
C407	F2B2W220A032	C 22UF, 450V	1	△
C408	ECJ1VB1H102K	C 1000PF, K, 50V	1	
C410	FLJ1E105A080	E 1 UF 25V	1	
C413	ECJ1VB1E104K	C 0.10UF, K, 25V	1	
C420	FLJ1E105A080	E 1 UF 25V	1	
C421	ECJ1VB1E104K	C 0.10UF, K, 25V	1	
C423	ECJ1VB1H472K	C 4700PF, K, 50V	1	
C425	FLJ1E105A080	E 1 UF 25V	1	
C426	ECJ1VC1H471J	C 470PF, J, 50V	1	
C427	F1H1C105A071	C 1UF, K, 16V	1	
C428	ECJ1XC1H221J	C 220PF, J, 50V	1	
C429	F1E2J4730001	C 0.047PF, , 600V	1	
C431	ECJ1VB1H102K	C 1000PF, K, 50V	1	
C432,33	F1H1C105A071	C 1UF, K, 16V	2	
C435	ECJ1XC1H101J	C 100PF, J, 50V	1	
C436	F1H1C105A071	C 1UF, K, 16V	1	
C437	ECJ1VB1H103K	C 0.001UF, K, 50V	1	
C443,44	ECKD3A102KBP	C 1000PF, K, 1KV	2	
C445	F1H1C105A071	C 1UF, K, 16V	1	
C446	F2B2W3910010	C 390UF, 450V	1	△
C450	ECJ1VB1H103K	C 0.001UF, K, 50V	1	
C451	ECKD3A101KBP	C 100PF, K, 1KV	1	
C457	ECWH12333RHV	P 0.013UF,J,1.2KV	1	
C462	FLJ1E105A080	E 1 UF 25V	1	
C463	F1H1H2200008	E 22UF, 50V	1	
C467	F1BAF221A107	C 220UF, 250V	1	△
C468	ECJ1VB1H103K	C 0.001UF, K, 50V	1	
C469	F1BAF221A107	C 220UF, 250V	1	△
C470	F0CAF335A080	C 0.033UF, 250V	1	△
C472	F1BAF221A107	C 220UF, 250V	1	△
C474,75	F1BAF221A107	C 220UF, 250V	2	△
C478	F1BAF221A107	C 220UF, 250V	1	△
C492	ECA1HM100	E 10UF, 50V	1	
C493	ECA1HM470	E 47UF, 50V	1	
C493	F2A1H4700057	E 47UF, 50V	1	
C497	F2A1H4700057	E 47UF, 50V	1	
C501,02	ECJ1VB1H103K	C 0.001UF, K, 50V	2	
C504	F1H1C105A071	C 1UF, K, 16V	1	
C505	ECJ1VB1H102K	C 1000PF, K, 50V	1	
C506	ECJ1VB1H103K	C 0.001UF, K, 50V	1	
C507	ECJ1VB1E104K	C 0.10UF, K, 25V	1	
C509	ECA1EHG101	E 100UF, 25V	1	
C511	ECJ1VB1H102K	C 1000PF, K, 50V	1	
C515	F2A1A1220015	E 1200UF, 10V	1	
C516	ECJ1VB1C474K	C 0.47UF,K, 16V	1	
C517	F2A1E221A096	E 220UF, 25V	1	
C518,19	F1H1C105A071	C 1UF, K, 16V	2	
C520	F0C2E683A160	E 0.068UF, 250V	1	
C521	ECJ1VB1H103K	C 0.001UF, K, 50V	1	
C522	F1E2E1030002	C 0.010PF, , 600V	1	
C523	FLJ1E105A080	E 1 UF 25V	1	
C526	ECJ1VB1H223K	C 0.22UF, K, 50V	1	
C528	ECJ1VB1H102K	C 1000PF, K, 50V	1	
C529	ECJ2FB1C475K	C 47UF, K, 16V	1	
C530	ECJ1VB1E333K	C 0.033UF, K, 25V	1	
C531	ECJ1VB1E104K	C 0.10UF, K, 25V	1	
C534	F1H1H471A792	E 470UF, 50V	1	
C546,47	ECJ1VB1H102K	C 1000PF, K, 50V	2	
C552	ECJ1VB1E104K	C 0.10UF, K, 25V	1	
C554	F1H1C105A071	C 1UF, K, 16V	1	

Ref. No.	Part No.	Part Name & Description	Pcs	Remarks
C555	F2A2C101A120	E 100UF, 160V	1	△
C556	F2A1E3320039	E 3300PF, 25V	1	
C558	F2A1E4710065	E 470UF, 25V	1	
C559	F2A1A1020084	E 1000UF, 10V	1	
C562	F1H1H223A219	E 0.022UF, 50V	1	
C571	ECJ1VLC1H330J	C 33PF, J, 50V	1	
C574	ECJ1VB1E104K	C 0.10UF, K, 25V	1	
C577	F2A2A330A022	E 33UF, 100V	1	△
C581	ECJ2VB1H223K	C 0.022UF, K, 50V	1	
C583	ECJ1VB1H102K	C 1000PF, K, 50V	1	
C584	ECJ2VB1H223K	C 0.022UF, K, 50V	1	
C585	F1H1H223A219	E 0.022UF, 50V	1	
C587	ECJ1VB1H332K	C 3300PF, K, 50V	1	
C590	ECJ1XB1H104K	C 10PF, J, 50V	1	
C601	ECJ1VB1H103K	C 0.001UF, K, 50V	1	
C603	FLJ1E105A080	E 1 UF 25V	1	
C604,05	F2A2D101A203	E 100UF, 200V	2	△
C607	F1H1C105A071	C 1UF, K, 16V	1	
C610	FLJ1E105A080	E 1 UF 25V	1	
C611	F2B2T1420003	E 142UF, 220V	1	△
C612	ECJ1VB1H103K	C 0.001UF, K, 50V	1	
C616	ECKD3A102KBP	C 1000PF, K, 1KV	1	
C619	F1H1C105A071	C 1UF, K, 16V	1	
C620	FLJ1E105A080	E 1 UF 25V	1	
C623	ECA1HM100	E 10UF, 50V	1	
C624	ECJ1VB1H103K	C 0.001UF, K, 50V	1	
C625	F2A1H1000083	E 10UF, 50V	1	
C626	ECJ1VB1H103K	C 0.001UF, K, 50V	1	
C627	ECJ1VB1H102K	C 1000PF, K, 50V	1	
C630,31	ECJ1VB1H103K	C 0.001UF, K, 50V	2	
C632	ECJ2XC1H330J	C 33PF, J, 50V	1	
C639	ECJ1VB1H103K	C 0.001UF, K, 50V	1	
C640	ECJ1VLC1H330J	C 33PF, J, 50V	1	
C641	ECJ1VB1H102K	C 1000PF, K, 50V	1	
C650,51	ECJ1VB1E104K	C 0.10UF, K, 25V	2	
C653	ECJ1VB1H102K	C 1000PF, K, 50V	1	
C657	ECJ1VB1H102K	C 1000PF, K, 50V	1	
C658	FLJ1E105A080	E 1 UF 25V	1	
C660	ECJ2FB1C225K	C 22UF, K, 16V	1	
C661	ECJ1VB1H103K	C 0.001UF, K, 50V	1	
C662	ECJ2VB1H103K	C 0.01UF, K, 50V	1	
C665	ECJ1XC1H101J	C 100PF, J, 50V	1	
C666	ECJ1VB1H103K	C 0.001UF, K, 50V	1	
C667,68	ECJ1VB1H102K	C 1000PF, K, 50V	2	
C670	ECJ1VB1E104K	C 0.10UF, K, 25V	1	
C671	ECJ2VB1E104K	C 0.1UF, K, 25V	1	
C672	ECJ1VB1E104K	C 0.10UF, K, 25V	1	
C673	F1E2J4730001	C 0.047PF, , 600V	1	
C801	F2H1V221A004	E 220UF, 35V	1	
C802	F2H1E471A010	E 470UF, 25V	1	
C804	ECJ1VB1H472K	C 4700PF, K, 50V	1	
C805,06	ECJ1VB1E104K	C 0.10UF, K, 25V	2	
C807	ECJ3YF1E225Z	C 2.2UF, Z, 25V	1	
C808	ECJ1VB1E104K	C 0.10UF, K, 25V	1	
C809	ECJ3XB1C225K	C 22UF, K, 16V	1	
C811	EEEB1C471P	E 470UF, 16V	1	
C812	F2H1E471A010	E 470UF, 25V	1	
C814	ECJ1VB1H472K	C 4700PF, K, 50V	1	
C815,16	ECJ1VB1E104K	C 0.10UF, K, 25V	2	
C817	ECJ3YF1E225Z	C 2.2UF, Z, 25V	1	
C818	ECJ1VB1E104K	C 0.10UF, K, 25V	1	
C819	ECJ3XB1C225K	C 22UF, K, 16V	1	
C821	EEEB1C471P	E 470UF, 16V	1	
C822	F2H1E471A010	E 470UF, 25V	1	
C823	F1H1H390A831	C 39PF, K, 50V	1	PAVCA
C824	ECJ1VB1H103K	C 0.001UF, K, 50V	1	
C825	ECJ1VB1E104K	C 0.10UF, K, 25V	1	
C827	ECJ3YF1E225Z	C 2.2UF, Z, 25V	1	
C828	ECJ1VB1E104K	C 0.10UF, K, 25V	1	
C829	ECJ3YB1E106M	C 10 UF, K, 25V	1	
C831	EEEB1C470P	C 47PF, J, 16V	1	

Ref. No.	Part No.	Part Name & Description	Pcs	Remarks
C832	ECJ1VB1E104K	C 0.10UF, K, 25V	1	
C833	ECJ1VB1H103K	C 0.001UF, K, 50V	1	
C834,35	EEHHC1C470P	C 47PF, J, 16V	2	
C837	FLJ0J1060004	C 0.010UF, K, 16V	1	
C838	ECJ3XB1C225K	C 22UF, K, 16V	1	
C839	FLJ0J1060004	C 0.010UF, K, 16V	1	
C840	ECJ3XB1C225K	C 22UF, K, 16V	1	
C841	FLJ0J1060004	C 0.010UF, K, 16V	1	
C843	ECJ3YB1E106M	C 10 UF, K, 25V	1	
C844	ECJ3XB1C225K	C 22UF, K, 16V	1	
C845	ECJ3YB1E106M	C 10 UF, K, 25V	1	
C846	ECJ3XB1C225K	C 22UF, K, 16V	1	
C847	FLJ0J1060004	C 0.010UF, K, 16V	1	
C848	ECJ3XB1C225K	C 22UF, K, 16V	1	
C855-57	ECJ1VB1H103K	C 0.001UF, K, 50V	3	
C867	ECJ1VB1E104K	C 0.10UF, K, 25V	1	
C869	ECJ3XB1C225K	C 22UF, K, 16V	1	
C2350,51	ECJ3XB1C225K	C 22UF, K, 16V	2	
C2352,53	F2G1H100A031	E 10UF, 50V	2	
C2354,55	EEHHC1V470P	E 47UF, 35V	2	
C2356,57	ECJ1VB1H102K	C 1000UF, Z, 50V	2	
C2358,59	EEHHP1V2R2R	E 2.2UF, 35V	2	
C2360,61	ECJ1XC1H102J	C 1000PF, J, 50V	2	
C2362,63	EEHHC1E471UP	C 470PF, J, 25V	2	
C2364,65	ECQV1H104JL	P 0.1UF, J, 50V	2	
C2366,67	ECJ3YB1E225K	C 2.2UF, K, 25V	2	
C2368,69	ECQV1H104JL	P 0.1UF, J, 50V	2	
C2370,71	F2G1H100A031	E 10UF, 50V	2	
C2373-75	ECJ1VB1E104K	C 0.10UF, K, 25V	3	
C2376,77	ECJ1VC1H150J	C 15PF, J, 50V	2	
C2378-82	ECJ1VB1E104K	C 0.10UF, K, 25V	5	
C2383	EEHHC1A101P	C 100PF, J, 10V	1	
C2384	ECJ1VB1E104K	C 0.10UF, K, 25V	1	
C2385	EEHHC1A101P	C 100PF, J, 10V	1	
C2386,87	EEHHP1H1R0R	C 1.0PF, J, 50V	2	
C2388	ECJ1VB1E104K	C 0.10UF, K, 25V	1	
C2389	EEHHC1A101P	C 100PF, J, 10V	1	
C2390	F2G1H100A031	E 10UF, 50V	1	
C2391	ECJ1VB1E104K	C 0.10UF, K, 25V	1	
C2392,93	FLJ1C1050030	C 1UF, Z, 16V	2	PAVCA
C2394	F2G1H100A031	E 10UF, 50V	1	
C2395,96	ECJ1VB1E104K	C 0.10UF, K, 25V	2	
C2397	EEHHC1A101P	C 100PF, J, 10V	1	
C2398-03	ECJ1VB1E104K	C 0.10UF, K, 25V	6	
C2404	ECJ1VB1H103K	C 0.001UF, K, 50V	1	
C2405,06	F1H0J2250008	C 2.2UF, K, 16V	2	
C2407,08	FLJ0J1060004	C 0.010UF, K, 16V	2	
C2409,10	F1H1H181A792	E 180UF, 50V	2	
C2411	ECJ3YB1E106M	C 10 UF, K, 25V	1	
C2412,13	ECJ1VB1E104K	C 0.10UF, K, 25V	2	
C2420	ECJ1VB1E104K	C 0.10UF, K, 25V	1	
C2425,26	ECJ1VB1E104K	C 0.10UF, K, 25V	2	
C2512	ECJ3XB0J106M	C 10UF, M,6.3V	1	
C2515	ECJ1VB1H103K	C 0.001UF, K, 50V	1	

Ref. No.	Part No.	Part Name & Description	Pcs	Remarks
C2521	ECJ1VB1H103K	C 0.001UF, K, 50V	1	
C3001	ECJ1VB1H103K	C 0.001UF, K, 50V	1	
C3004	EEHHC1C470P	C 47PF, J, 16V	1	
C3009-11	ECJ1VB1E104K	C 0.10UF, K, 25V	3	
C3012-17	ECJ1VB1H103K	C 0.001UF, K, 50V	6	
C3018	EEHHC1C470P	C 47PF, J, 16V	1	
C3019	ECJ1VF1C104Z	C 0.1UF, Z, 16V	1	
C3020-31	ECJ3XB1C225K	C 22UF, K, 16V	12	
C3032	ECJ1VB1C105K	C 0.01UF, K, 16V	1	
C3033-35	ECJ1XB1C104K	C 0.1UF, Z, 16V	3	
C3040,41	ECJ1VF1C104Z	C 0.1UF, Z, 16V	2	
C3042,43	EEHHC1C100R	C 10PF, J, 16V	2	
C3051-58	ECJ1XF1C105Z	C 1UF, Z, 16V	8	
C3101	ECJ3XB1C225K	C 22UF, K, 16V	1	
C3103	ECJ3XB1C225K	C 22UF, K, 16V	1	
C3105-08	ECJ1VF1C104Z	C 0.1UF, Z, 16V	4	
C3110	ECJ3XB1C225K	C 22UF, K, 16V	1	
C3111,12	ECJ1VF1C104Z	C 0.1UF, Z, 16V	2	
C3113	EEHHC1C470P	C 47PF, J, 16V	1	
C3114	ECJ3XF1C475Z	C 4.7UF, Z, 16V	1	
C3115	ECJ1VF1C104Z	C 0.1UF, Z, 16V	1	
C3134-36	EEHHC1C471P	E 470UF, 16V	3	
C3143,44	ECJ3XB1C225K	C 22UF, K, 16V	2	
C3146	ECJ3XB1C225K	C 22UF, K, 16V	1	
C3153	ECJ1VF1C104Z	C 0.1UF, Z, 16V	1	
C3200	FLJ1C1050030	C 1UF, Z, 16V	1	PAVCA
C3201-03	FLJ0J1060004	C 0.010UF, K, 16V	3	
C3204,05	ECJ1VF1C104Z	C 0.1UF, Z, 16V	2	
C3404	ECJ2VF1C104Z	C 0.1UF, Z, 16V	1	
C3405,06	ECJ3YB1E106M	C 10 UF, K, 25V	2	
C3409	ECJ2VF1C104Z	C 0.1UF, Z, 16V	1	
C3523	ECJ3YB1E106M	C 10 UF, K, 25V	1	
C3524	ECJ2VF1H103Z	C 0.010UF, Z, 50V	1	
C3550	ECJ2VF1H103Z	C 0.010UF, Z, 50V	1	
C3551,52	ECJ3YB1E106M	C 10 UF, K, 25V	2	
C3561,62	FLJ1C1050030	C 1UF, Z, 16V	2	PAVCA
C3750	ECJ2XC1H102J	C 1000PF, K, 50V	1	
C4001,02	ECJ1VF1C104Z	C 0.1UF, Z, 16V	2	
C4003	F1H1H822A219	E 8200UF, 50V	1	
C4004	ECJ1VB1C823K	C 0.082UF, K, 16V	1	
C4006	ECJ1VF1C104Z	C 0.1UF, Z, 16V	1	
C4007-09	FLJ1E104A137	C 0.10UF, Z, 25V	3	PAVCA
C4010	ECJ1VB1H102K	C 1000UF, Z, 50V	1	
C4011-13	ECJ1VF1C104Z	C 0.1UF, Z, 16V	3	
C4016	ECJ1VF1C104Z	C 0.1UF, Z, 16V	1	
C4017	ECJ2FB0J106K	C 10UF, Z,6.3V	1	
C4018,19	ECJ1VF1C104Z	C 0.1UF, Z, 16V	2	
C4020,21	ECJ2FB0J106K	C 10UF, Z,6.3V	2	
C4022	ECJ1VF1C104Z	C 0.1UF, Z, 16V	1	
C4024	ECJ2FB0J106K	C 10UF, Z,6.3V	1	
C4027	ECJ1VB1H102K	C 1000UF, Z, 50V	1	
C4031,32	ECJ1VF1C104Z	C 0.1UF, Z, 16V	2	
C4201	EEHHC1C470P	C 47PF, J, 16V	1	
C4202-13	ECJ1XB1C104K	C 0.1UF, Z, 16V	12	

Ref. No.	Part No.	Part Name & Description	Pcs	Remarks
C4219-22	ECJ2FB0J106K	C 10UF, Z,6.3V	4	
C4225	ECJ2FB0J106K	C 10UF, Z,6.3V	1	
C4227	ECJ2FB0J106K	C 10UF, Z,6.3V	1	
C4301	F2G0J470A019	E 47UF 6.3V	1	
C4302	ECJ1XB1C104K	C 0.1UF, Z, 16V	1	
C4303,04	ECJ1VB1H102K	C 1000UF, Z, 50V	2	
C4305,06	ECJ1XB1C104K	C 0.1UF, Z, 16V	2	
C4307	ECJ1VB1H102K	C 1000UF, Z, 50V	1	
C4308	ECJ1XB1C104K	C 0.1UF, Z, 16V	1	
C4309	ECJ1VB1A105K	C 0.01UF, Z, 50V	1	
C4310	F1K0J226A008	C 22UF, K,6.3V	1	
C4311	ECJ1XB1C104K	C 0.1UF, Z, 16V	1	
C4312	ECJ1VB1A105K	C 0.01UF, Z, 50V	1	
C4313	ECJ1VB1H102K	C 1000UF, Z, 50V	1	
C4315	F1K0J226A008	C 22UF, K,6.3V	1	
C4502	ECJ2FB0J106K	C 10UF, Z,6.3V	1	
C4503,04	ECJ1XB1C104K	C 0.1UF, Z, 16V	2	
C4505,06	ECJ1VC1H120J	C 12PF, J, 50V	2	
C4541	F1H1H8R0A503	E 8.0UF, 50V	1	PAVCA
C4543	ECJ1XB1C104K	C 0.1UF, Z, 16V	1	
C4544	EEHBOG221P	E 220UF, 4V	1	
C4545	ECJ2FB0J106K	C 10UF, Z,6.3V	1	
C4546,47	ECJ1VF1C104Z	C 0.1UF, Z, 16V	2	
C4548,49	ECJ2FB0J106K	C 10UF, Z,6.3V	2	
C4550,51	ECJ1VF1C104Z	C 0.1UF, Z, 16V	2	
C4552	ECJ2FB0J106K	C 10UF, Z,6.3V	1	
C4553-97	ECJ1VF1C104Z	C 0.1UF, Z, 16V	45	
C4598	EEHBOG221P	E 220UF, 4V	1	
C4599-14	ECJ1XB1C104K	C 0.1UF, Z, 16V	16	
C4629	ECJ1XB1C104K	C 0.1UF, Z, 16V	1	
C4701	ECJ1XB1C104K	C 0.1UF, Z, 16V	1	
C4703	ECJ2FB0J106K	C 10UF, Z,6.3V	1	
C4704-19	ECJ1XB1C104K	C 0.1UF, Z, 16V	16	
C4733	ECJ1XF1H102Z	C 1000PF, Z, 50V	1	
C4742	ECJ1XB1C104K	C 0.1UF, Z, 16V	1	
C4743	TCUY1C105ZFN	C 1UF, 16V	1	
C4744	ECJ1VF1C104Z	C 0.1UF, Z, 16V	1	
C4749,50	ECJ1VF1C104Z	C 0.1UF, Z, 16V	2	
C4751,52	ECJ1VC1H150J	C 15PF, J, 50V	2	
C4753	ECJ1XF1H102Z	C 1000PF, Z, 50V	1	
C4754	ECJ1VF1C104Z	C 0.1UF, Z, 16V	1	
C4803	ECJ1VB1H102K	C 1000UF, Z, 50V	1	
C4804	ECJ1VF1C104Z	C 0.1UF, Z, 16V	1	
C4861	TCUY1C105ZFN	C 1UF, 16V	1	
C4862	ECJ1XB1C104K	C 0.1UF, Z, 16V	1	
C4863	ECJ1VF1C104Z	C 0.1UF, Z, 16V	1	
C4864	ECJ1XC1H101J	C 100PF, J, 50V	1	
C4865	ECJ2FF1C475Z	C 0.047UF, Z, 16V	1	
C4866	ECJ1VF1C104Z	C 0.1UF, Z, 16V	1	
C4871	ECJ1VF1C104Z	C 0.1UF, Z, 16V	1	
C4881,82	ECJ1VF1C104Z	C 0.1UF, Z, 16V	2	
C4884,85	ECJ1VF1C104Z	C 0.1UF, Z, 16V	2	
C4886	ECJ1XC1H101J	C 100PF, J, 50V	1	
C4887	ECJ1VB1E104K	C 0.10UF, K, 25V	1	
C4901,02	ECJ3YB1E106M	C 10 UF, K, 25V	2	
C4903	ECJ1VB1E104K	C 0.10UF, K, 25V	1	
C4904,05	ECJ3YB1E106M	C 10 UF, K, 25V	2	
C4906	F1H1H822A219	E 8200UF, 50V	1	
C4907	ECJ1VF1C104Z	C 0.1UF, Z, 16V	1	

Ref. No.	Part No.	Part Name & Description	Pcs	Remarks
C4908	F1H1H151A792	E 150UF, 50V	1	PAVCA
C4909	F1H1H822A219	E 8200UF, 50V	1	
C4910,11	ECJ1VB1H103K	C 0.001UF, K, 50V	2	
C4912	ECJ3YB1E106M	C 10 UF, K, 25V	1	
C4913	ECJ1VF1C104Z	C 0.1UF, Z, 16V	1	
C4914	EEHBC1C470P	C 47PF, J, 16V	1	
C4915	ECJ1VF1C104Z	C 0.1UF, Z, 16V	1	
C4917	EEHBC1C470P	C 47PF, J, 16V	1	
C4918	F1H0J4750004	C 4.7UF, K, 16V	1	
C4919,20	ECJ1VB1E104K	C 0.10UF, K, 25V	2	
C4921	ECJ1VB1H102K	C 1000UF, Z, 50V	1	
C4923,24	ECGRL0G680ER	C 68PF, J, 4V	2	
C4930	ECJ2FB0J106K	C 10UF, Z,6.3V	1	
C4932	ECJ1VF1C104Z	C 0.1UF, Z, 16V	1	
C4940	ECJ2FB0J106K	C 10UF, Z,6.3V	1	
C4943	ECJ1VC1H680J	C 68PF, J, 50V	1	
C4990	ECJ1VB1A105K	C 0.01UF, Z, 50V	1	
C4991	ECJ2FB0J106K	C 10UF, Z,6.3V	1	
C4992,93	ECJ1VF1C104Z	C 0.1UF, Z, 16V	2	
C4994,95	ECJ2FB0J106K	C 10UF, Z,6.3V	2	
C4996	ECJ1VF1C104Z	C 0.1UF, Z, 16V	1	
C4997	ECJ2FB0J106K	C 10UF, Z,6.3V	1	
C4998	ECJ1VF1C104Z	C 0.1UF, Z, 16V	1	
C4999	ECJ1VB1H102K	C 1000UF, Z, 50V	1	
C6001	F1L2J562A022	C 5600UF, K,6.3V	1	
C6011-14	F2A2T201A002	E 200UF,	4	
C6021	F1L2J562A022	C 5600UF, K,6.3V	1	
C6031	F0C2E225A218	E 0.022UF, 250V	1	
C6037	F1L1E4750004	C 4.7UF, 25V	1	
C6091	F1L2J1020001	C 1000UF, K,6.3V	1	
C6111,12	F2A2D221A022	E 220UF, 200V	2	
C6132	F1L1E4750004	C 4.7UF, 25V	1	
C6134,35	F1L1E4750004	C 4.7UF, 25V	2	
C6151	ECJ3YB1E105K	C 1UF, K, 25V	1	
C6152-54	F1L1E4750004	C 4.7UF, 25V	3	
C6193-95	F1L1E4750004	C 4.7UF, 25V	3	
C6197	F1L1E4750004	C 4.7UF, 25V	1	
C6201,02	F0C2E405A176	E 0.040UF, 250V	2	
C6209	F1L1E4750004	C 4.7UF, 25V	1	
C6211,12	F1L1E4750004	C 4.7UF, 25V	2	
C6213	F2A1E102A220	E 1000UF, 25V	1	
C6220	F1L2J1020001	C 1000UF, K,6.3V	1	
C6221	ECJ2XB1H104K	C 0.1UF, K, 50V	1	
C6241	F2A1A101A439	E 100UF, 10V	1	
C6242	F1H1C105A072	C 1UF, K, 16V	1	
C6243	ECJ2VB1H103K	C 0.01UF, K, 50V	1	
C6251	F1H1C105A072	C 1UF, K, 16V	1	
C6252	ECJ3YB1E105K	C 1UF, K, 25V	1	
C6261,62	F2A2A221A073	E 220UF, 100V	2	
C6272,73	F2A1E221A487	E 220UF, 25V	2	
C6276	F1L1E4750004	C 4.7UF, 25V	1	
C6286-89	ECJ2XB1H104K	C 0.1UF, K, 50V	4	
C6401	F1L2J562A022	C 5600UF, K,6.3V	1	
C6412-15	F2A2T201A002	E 200UF,	4	
C6421	F1L2J562A022	C 5600UF, K,6.3V	1	
C6431	F0C2E405A176	E 0.040UF, 250V	1	
C6440	F1E2J102A002	C 1000PF, 600V	1	
C6460	F1E2J102A002	C 1000PF, 600V	1	
C6480	ECJ2XB1H104K	C 0.1UF, K, 50V	1	
C6502	F1L1E4750004	C 4.7UF, 25V	1	

Ref. No.	Part No.	Part Name & Description	Pcs	Remarks
C6504,05	F1L1E4750004	C 4.7UF, 25V	2	
C6521	ECJ3YB1E105K	C 1UF, K, 25V	1	
C6522	F1L1E4750004	C 4.7UF, 25V	1	
C6524,25	F1L1E4750004	C 4.7UF, 25V	2	
C6527	F1L1E4750004	C 4.7UF, 25V	1	
C6531,32	F0C2E405A176	E 0.040UF, 250V	2	
C6561	F2A1A101A439	E 100UF, 10V	1	
C6562	F1H1C105A072	C 1UF, K, 16V	1	
C6563	F2A1A101A439	E 100UF, 10V	1	
C6564	F1H1C105A072	C 1UF, K, 16V	1	
C6565,66	ECJ2VB1H103K	C 0.01UF, K, 50V	2	
C6581	ECJ3YB1E105K	C 1UF, K, 25V	1	
C6582	F1H1C105A072	C 1UF, K, 16V	1	
C6592	F2A1E221A487	E 220UF, 25V	1	
C6593	ECJ2XC1H102J	C 1000PF, J, 50V	1	
C6603,04	F1K2J102A014	C 1000UF, K,6.3V	2	
C6605,06	F1L2J472A022	C 4700UF, K,6.3V	2	
C6620,21	F1E2J222A002	C 2200PF, 600V	2	
C6641	ECQE2224KF3	P 2.2UF, K,250V	1	
C6661,62	F1K2J102A014	C 1000UF, K,6.3V	2	
C6671	F1L1E4750004	C 4.7UF, 25V	1	
C6691	ECA2CM101	E 100UF, 160V	1	
C6694	ECJ3YB1E105K	C 1UF, K, 25V	1	
C6695	ECJ2XC1H102J	C 1000PF, J, 50V	1	
C6702-06	ECJ2XB1H104K	C 0.1UF, K, 50V	5	
C6708	ECJ2XB1H104K	C 0.1UF, K, 50V	1	
C6721	ECA1HM101	E 100UF, 50V	1	
C6722	ECJ2XC1H101J	C 100PF, J, 50V	1	
C6723-25	F1L1E4750004	C 4.7UF, 25V	3	
C6726,27	F1H1C105A072	C 1UF, K, 16V	2	
C6740	ECJ2XC1H101J	C 100PF, J, 50V	1	
C6752	ECJ3YB1E105K	C 1UF, K, 25V	1	
C6753	F1L1E4750004	C 4.7UF, 25V	1	
C6755,56	F1L1E4750004	C 4.7UF, 25V	2	
C6771	F1H1C105A072	C 1UF, K, 16V	1	
C6772,73	F1L1E4750004	C 4.7UF, 25V	2	
C6775	F1L1E4750004	C 4.7UF, 25V	1	
C6776,77	ECJ2XB1H104K	C 0.1UF, K, 50V	2	
C6791	F2A1E221A487	E 220UF, 25V	1	
C6795,96	F2A1E221A487	E 220UF, 25V	2	
C6801	F2A2E470A022	E 47UF, 250V	1	
C6803	ECKD3D221KBP	C 220PF, K, 2KV	1	
C6804	F2A2G100A017	E 100UF, 400V	1	
C6805	ECJ2XC1H331J	C 330PF, J, 50V	1	
C6806	ECA2CM101	E 100UF, 160V	1	
C6811	ECJ3YB1E105K	C 1UF, K, 25V	1	
C6812	F1L1E4750004	C 4.7UF, 25V	1	
C6813	ECA2CM101	E 100UF, 160V	1	
C6814	F2A1E221A487	E 220UF, 25V	1	
C6815	ECJ2XC1H102J	C 1000PF, J, 50V	1	
C6822	F2A2G470A018	E 470UF, 400V	1	
C6823	ECJ2VB1H103K	C 0.01UF, K, 50V	1	
C6832	ECJ2XB1H392K	C 3900PF, K, 50V	1	
C6841	F2A2E470A022	E 47UF, 250V	1	
C6842	ECA2CM101	E 100UF, 160V	1	
C6845	ECJ2VB1H103K	C 0.01UF, K, 50V	1	
C6861	F1H1C105A072	C 1UF, K, 16V	1	
C6862	ECJ3YB1E105K	C 1UF, K, 25V	1	
C6863	ECJ2VB1H103K	C 0.01UF, K, 50V	1	
C6871	F1H1C105A072	C 1UF, K, 16V	1	
C6872	ECJ3YB1E105K	C 1UF, K, 25V	1	

Ref. No.	Part No.	Part Name & Description	Pcs	Remarks
C6873	ECJ2VB1H103K	C 0.01UF, K, 50V	1	
C6901	ECJ2XB1H102K	C 1000PF, K, 50V	1	
C6902	TCUY1C105ZFN	C 1UF, 16V	1	
C6904	TCUY1C105ZFN	C 1UF, 16V	1	
C6906	TCUY1C105ZFN	C 1UF, 16V	1	
C6908	TCUY1C105ZFN	C 1UF, 16V	1	
C6910	TCUY1C105ZFN	C 1UF, 16V	1	
C6912	TCUY1C105ZFN	C 1UF, 16V	1	
C6921-26	F1L2E1040002	E 1000UF, 25V	6	
C6931	ECJ2XB1H102K	C 1000PF, K, 50V	1	
C6936	ECJ2XB1H681K	C 680PF, K, 50V	1	
C6937	ECJ2VB1H221K	C 220PF, K, 50V	1	
C6951	ECJ2XB1H102K	C 1000PF, K, 50V	1	
C6952	TCUY1C105ZFN	C 1UF, 16V	1	
C6954	TCUY1C105ZFN	C 1UF, 16V	1	
C6956	TCUY1C105ZFN	C 1UF, 16V	1	
C6958	TCUY1C105ZFN	C 1UF, 16V	1	
C6960	TCUY1C105ZFN	C 1UF, 16V	1	
C6962	TCUY1C105ZFN	C 1UF, 16V	1	
C6971-76	F1L2E1040002	E 1000UF, 25V	6	
C6981	ECJ2XB1H102K	C 1000PF, K, 50V	1	
C6986	ECJ2XB1H681K	C 680PF, K, 50V	1	
C6987	ECJ2VB1H221K	C 220PF, K, 50V	1	
C7110	F1H1C105A072	C 1UF, K, 16V	1	
C7114	F1H1C105A072	C 1UF, K, 16V	1	
C7116	F1H1C105A072	C 1UF, K, 16V	1	
C7117	ECJ1XC1H101J	C 100PF, J, 50V	1	
C7118	F1K2A474A006	C 0.47UF, 6.3V	1	
C7121	F1H1C105A072	C 1UF, K, 16V	1	
C7123	F1H1C105A072	C 1UF, K, 16V	1	
C7124	ECJ1XC1H101J	C 100PF, J, 50V	1	
C7125	F1K2A474A006	C 0.47UF, 6.3V	1	
C7126	F1H1C105A072	C 1UF, K, 16V	1	
C7127	ECJ1XC1H101J	C 100PF, J, 50V	1	
C7128	F1K2A474A006	C 0.47UF, 6.3V	1	
C7130	ECJ1XB1C104K	C 0.1UF, Z, 16V	1	
C7140	F1H1C105A072	C 1UF, K, 16V	1	
C7141	ECJ1XC1H101J	C 100PF, J, 50V	1	
C7142	F1K2A474A006	C 0.47UF, 6.3V	1	
C7145	F1H1C105A072	C 1UF, K, 16V	1	
C7148	ECJ1XB1C104K	C 0.1UF, Z, 16V	1	
C7150-53	F1K2A474A006	C 0.47UF, 6.3V	4	
C7203	F1H1C105A072	C 1UF, K, 16V	1	
C7207	F1H1C105A072	C 1UF, K, 16V	1	
C7209	F1H1C105A072	C 1UF, K, 16V	1	
C7210	ECJ1XC1H101J	C 100PF, J, 50V	1	
C7211	F1K2A474A006	C 0.47UF, 6.3V	1	
C7214	F1H1C105A072	C 1UF, K, 16V	1	
C7216	F1H1C105A072	C 1UF, K, 16V	1	
C7217	ECJ1XC1H101J	C 100PF, J, 50V	1	
C7218	F1K2A474A006	C 0.47UF, 6.3V	1	
C7219	F1H1C105A072	C 1UF, K, 16V	1	
C7220	ECJ1XC1H101J	C 100PF, J, 50V	1	
C7221	F1K2A474A006	C 0.47UF, 6.3V	1	
C7229	ECJ1XB1C104K	C 0.1UF, Z, 16V	1	
C7230-33	F1K2A474A006	C 0.47UF, 6.3V	4	
C7235	F1H1C105A072	C 1UF, K, 16V	1	
C7236	ECJ1XC1H101J	C 100PF, J, 50V	1	
C7237	F1K2A474A006	C 0.47UF, 6.3V	1	
C7240	F1H1C105A072	C 1UF, K, 16V	1	
C7242	F1K2A474A006	C 0.47UF, 6.3V	1	
C7244,45	ECJ1XB1C104K	C 0.1UF, Z, 16V	2	
C8003	ECJ1VF1C104Z	C 0.1UF, Z, 16V	1	
C8005	ECJ1VB1H103K	C 0.001UF, K, 50V	1	
C8007	ECJ1XC1H101J	C 100PF, J, 50V	1	
C8009	ECJ3XB0J106M	C 10UF, M,6.3V	1	
C8013	ECJ1VF1C104Z	C 0.1UF, Z, 16V	1	
C8015	ECJ3YF1A106Z	C 10UF, Z, 10V	1	
C8016	ECJ3YB1A475K	C 0.047UF, K, 10V	1	

Ref. No.	Part No.	Part Name & Description	Pcs	Remarks
C8019	ECJ1VB1H103K	C 0.001UF, K, 50V	1	
C8021	ECJ3VB1C474K	C 0.47UF, K, 16V	1	
C8023	ECJ1VB1H103K	C 0.001UF, K, 50V	1	
C8025	ECJ1VB1H103K	C 0.001UF, K, 50V	1	
C8027	ECJ3XB1C225K	C 22UF, K, 16V	1	
C8029	ECJ1VB1H103K	C 0.001UF, K, 50V	1	
C8030	EEHHC1C470P	C 47PF, J, 16V	1	
C8033	ECJ1XC1H102J	C 1000PF, J, 50V	1	
C8035	ECJ1VF1C104Z	C 0.1UF, Z, 16V	1	
C8036	ECJ1XC1H101J	C 100PF, J, 50V	1	
C8038	ECJ1XC1H102J	C 1000PF, J, 50V	1	
C8045	FLJ1C1050030	C 1UF, Z, 16V	1	PAVCA
C8049	ECJ1VB1H103K	C 0.001UF, K, 50V	1	
C8051	ECJ1VF1C104Z	C 0.1UF, Z, 16V	1	
C8070	ECJ1VB1E104K	C 0.10UF, K, 25V	1	
C8072,73	ECJ3YF1A106Z	C 10UF, Z, 10V	2	
C8074,75	ECJ1XC1H102J	C 1000PF, J, 50V	2	
C8080-83	ECJ1VF1C104Z	C 0.1UF, Z, 16V	4	
C8084	TCUY1C105ZFN	C 1UF, 16V	1	
C8100	EEHHC1C470P	C 47PF, J, 16V	1	
C8101	ECJ1VB1H103K	C 0.001UF, K, 50V	1	
C8102,03	EEHHC1C470P	C 47PF, J, 16V	2	
C8106	EEHHC1C470P	C 47PF, J, 16V	1	
C8107	EEHHC1C471P	E 470UF, 16V	1	
C8108,09	ECJ1VF1C104Z	C 0.1UF, Z, 16V	2	
C8111-13	ECJ1VF1C104Z	C 0.1UF, Z, 16V	3	
C8115	EEHHC1C470P	C 47PF, J, 16V	1	
C8116	ECJ1VB1H103K	C 0.001UF, K, 50V	1	
C8120	F2H1E471A010	E 470UF, 25V	1	
C8121	ECJ3YF1E225Z	C 2.2UF, Z, 25V	1	
C8122	EEHHC1C470P	C 47PF, J, 16V	1	
C8123	ECJ1VF1C104Z	C 0.1UF, Z, 16V	1	
C8181,82	ECJ1VC1H150J	C 15PF, J, 50V	2	
C8183	ECJ1VF1C104Z	C 0.1UF, Z, 16V	1	
C8185	EECS5R5H155	E 1.5UF, 5.5V	1	
C8200	EEHHC1C470P	C 47PF, J, 16V	1	
C9028,29	FLJ1A106A043	C 0.010UF, K, 10V	2	
C9033,34	F1G1C104A083	C 0.10UF, K, 16V	2	
C9035,36	FLJ1A106A043	C 0.010UF, K, 10V	2	
C9037	F1G1E1030005	C 0.01UF, Z, 25V	1	
C9039	FLJ1A106A043	C 0.010UF, K, 10V	1	
C9040	F1G1C104A083	C 0.10UF, K, 16V	1	
C9044	ECJ2YB0J475K	C 3.3UF, Z, 4.7V	1	
C9045-53	F1G1C104A083	C 0.10UF, K, 16V	9	
C9055-57	F1G1C104A083	C 0.10UF, K, 16V	3	
C9058	FLJ1A106A043	C 0.010UF, K, 10V	1	
C9061	F1G1C104A077	C 0.10UF, K, 16V	1	
C9062	ECJ2YB0J475K	C 3.3UF, Z, 4.7V	1	
C9063	F1G1C104A083	C 0.10UF, K, 16V	1	
C9468	F1G1E1030005	C 0.01UF, Z, 25V	1	
C9469	F1G1C104A083	C 0.10UF, K, 16V	1	
C9500	F1G1C104A077	C 0.10UF, K, 16V	1	
C9505	F1G1C104A077	C 0.10UF, K, 16V	1	
C9508	F1G1C104A077	C 0.10UF, K, 16V	1	
C9509,10	F1G1H120A565	E 12UF, 50V	2	
C9511	FLJ1A106A043	C 0.010UF, K, 10V	1	
C9516-25	F1G1C104A077	C 0.10UF, K, 16V	10	
C9526	FLJ1A106A043	C 0.010UF, K, 10V	1	
C9527,28	F1G1C104A077	C 0.10UF, K, 16V	2	
C9531	FLJ1A106A043	C 0.010UF, K, 10V	1	

Ref. No.	Part No.	Part Name & Description	Pcs	Remarks
C9559-64	F1G1C104A077	C 0.10UF, K, 16V	6	
C9823	ECJ3YB1E106M	C 10 UF, K, 25V	1	
C9825	F1G1H101A565	C 100PF, K, 50V	1	
C9832	FLJ1A106A043	C 0.010UF, K, 10V	1	
C9837	FLJ1A106A043	C 0.010UF, K, 10V	1	
C9838	F1G1C104A083	C 0.10UF, K, 16V	1	
C9840	F1G1E1030005	C 0.01UF, Z, 25V	1	
C9841-43	F1G1C104A083	C 0.10UF, K, 16V	3	
C9844	F1G1E1030005	C 0.01UF, Z, 25V	1	
C9845,46	F1G1C104A083	C 0.10UF, K, 16V	2	
C9858	ECJ3YB1E106M	C 10 UF, K, 25V	1	
C9859	F1G1E1030005	C 0.01UF, Z, 25V	1	
C9860	ECJ2YB0J475K	C 3.3UF, Z, 4.7V	1	
C9861,62	ECJ1VB1E104K	C 0.10UF, K, 25V	2	
C9863	ECJ2YB0J475K	C 3.3UF, Z, 4.7V	1	
C9864	ECJ1VB1E104K	C 0.10UF, K, 25V	1	
C9865,66	ECGRL0G680ER	C 68PF, J, 4V	2	
C9867-72	ECJ3YB1E106M	C 10 UF, K, 25V	6	
C9873	ECGRL0G680ER	C 68PF, J, 4V	1	
C9874	F1G1H680A565	E 68UF, 50V	1	
C9877	F1G1H680A565	E 68UF, 50V	1	
C9878	F1G1E1030005	C 0.01UF, Z, 25V	1	
C9879,80	F1G1E822A086	C 8200UF, Z, 25V	2	
C9881	F1G1E1030005	C 0.01UF, Z, 25V	1	
C9882	F1G1E822A086	C 8200UF, Z, 25V	1	
C9883	F1G1H101A565	C 100PF, K, 50V	1	
C9884,85	F1G1H1020008	E 1000UF, 50V	2	
C9886,87	ECJ1VB1E104K	C 0.10UF, K, 25V	2	
C9888	F1G1H361A565	E 360UF, 50V	1	
C9900-25	F1G1C104A077	C 0.10UF, K, 16V	26	
C9927-51	F1G1C104A077	C 0.10UF, K, 16V	25	
C9955-59	F1G1C104A077	C 0.10UF, K, 16V	5	
C9960-64	FLJ1A106A043	C 0.010UF, K, 10V	5	
C9966,67	F1G1C104A077	C 0.10UF, K, 16V	2	
CB1-B8	K1MN68BA0052	68P CONNECTOR	8	
D5	K1KB31BA0064	31P CONNECTOR	1	
D6	K1KA21A00011	21P CONNECTOR	1	
D9	K1KA07A00292	7P CONNECTOR	1	
D20	K1KY30BA0090	30P CONNECTOR	1	
D25	K1KA13B00069	13P CONNECTOR	1	
D31,32	K1MN55BA0257	55P CONNECTOR	2	
D401	B0FBAT000006	DIODE	1	△
D404	B0EBKT000007	DIODE	1	△
D407,08	B0ACDJ000010	DIODE	2	
D411	B0BB17000009	DIODE	1	
D415	B0JAME000099	DIODE	1	
D416	B0HAMP000067	DIODE	1	
D418	B0BC8R100013	ZENER DIODE	1	
D419,20	B0EAMR000009	DIODE	2	
D423	MA188	DIODE	1	
D425	MA188	DIODE	1	
D429	B0EAKT000048	DIODE	1	
D431	B0JCDD000002	DIODE	1	
D433	B0BC01400033	ZENER DIODE	1	
D435	B0EAKT000048	DIODE	1	
D436	B0AACK000004	DIODE	1	
D436	MA165TA5	DIODE	1	
D438	B0BC02000014	ZENER DIODE	1	
D439	B0EAKT000048	DIODE	1	
D441	B0HAMM000122	DIODE	1	

Ref. No.	Part No.	Part Name & Description	Pcs	Remarks
D444	B0HAMM000122	DIODE	1	
D445	MTZJ10B	ZENER DIODE	1	
D450	MA188	DIODE	1	
D501	B0EAMR000010	DIODE	1	
D503	B0AACK000004	DIODE	1	
D503	MA165TA5	DIODE	1	
D504	B0AACK000004	DIODE	1	
D504	MA165TA5	DIODE	1	
D506	B0ACDJ000010	DIODE	1	
D507,08	B0BC7R400023	ZENER DIODE	2	
D509	B0JANG000018	DIODE	1	
D511	B0JAML000011	DIODE	1	
D512	B0ACDJ000010	DIODE	1	
D516-18	B0BA03300004	ZENER DIODE	3	
D520	B0ACDJ000010	DIODE	1	
D521	B0JAME000099	DIODE	1	
D522,23	B0JCDD000002	DIODE	2	
D524	B0AACK000004	DIODE	1	
D524	MA165TA5	DIODE	1	
D531	B0HBSN000013	DIODE	1	
D535	MA188	DIODE	1	
D536	B0JBSG000026	DIODE	1	
D538	B0BC5R100039	ZENER DIODE	1	
D539,40	B0HARR000019	DIODE	2	
D543	B0BC01400033	ZENER DIODE	1	
D544,45	B0BA02100001	ZENER DIODE	2	
D546	B0BA02800001	ZENER DIODE	1	
D549	B0BC02500008	ZENER DIODE	1	
D569,70	B0BA05100010	ZENER DIODE	2	
D579	B0AACK000004	DIODE	1	
D582	MAZ705600F	ZENER DIODE	1	
D584	MAZ706200F	ZENER DIODE	1	
D586	B0HAMP000067	DIODE	1	
D598	B0BC5R100039	ZENER DIODE	1	
D599	B0JCND000009	DIODE	1	
D600	B0BC7R400023	ZENER DIODE	1	
D601	B0BC5R100039	ZENER DIODE	1	
D602	B0BC8R100013	ZENER DIODE	1	
D603	B0BA01900005	ZENER DIODE	1	
D701,02	B0BC5R100039	ZENER DIODE	2	
D703	B0EAKT000048	DIODE	1	
D801	B0JCPD000026	DIODE	1	
D802,03	B0JCME000037	DIODE	2	
D805-10	B0JCPE000004	DIODE	6	
D811	MA2J11100L	DIODE	1	
D2301-03	B0JCME000037	DIODE	3	
D2512	MA8043LTX	ZENER DIODE	1	
D2520	LNJ107W5PRW	LED	1	
D2524	MAZ80560ML	ZENER DIODE	1	
D3001	MA2J11100L	DIODE	1	
D3003	MA2J11100L	DIODE	2	
D3061	MA2J72800L	DIODE	1	
D3504	MA3056MTX	ZENER DIODE	1	
D3507-10	MA8160H	ZENER DIODE	4	
D4701	MA2J72800L	DIODE	1	
D4704	MA3033	ZENER DIODE	1	
D4709	MA2J72800L	DIODE	1	
D4711-13	MA152K	DIODE	3	
D4721	MA3036H	ZENER DIODE	1	
D4732-35	MA152K	DIODE	4	
D4901	B0JCGD000002	DIODE	1	
D4902	MA22D3900L	DIODE	1	
D4903	B0JCGD000002	DIODE	1	
D4904	MA22D3900L	DIODE	1	
D6001	B0HBSN000008	DIODE	1	
D6021	MA3DF30000LZ	ZENER DIODE	1	
D6024,25	B0ECHP000003	DIODE	2	
D6032	MA2J11100L	DIODE	1	

Ref. No.	Part No.	Part Name & Description	Pcs	Remarks
D6061,62	MA3DF30000LZ	ZENER DIODE	2	
D6071,72	B0HBSN000008	DIODE	2	
D6082	MA3DF30000LZ	ZENER DIODE	1	
D6091	B0HBSN000008	DIODE	1	
D6092	B0ECHP000003	DIODE	1	
D6101	B0JCME000037	DIODE	1	
D6104	B0JCME000037	DIODE	1	
D6131,32	B0ECHP000003	DIODE	2	
D6151-53	B0ECHP000003	DIODE	3	
D6191	B0ECHP000003	DIODE	1	
D6193	B0ECHP000003	DIODE	1	
D6211	B0JCME000037	DIODE	1	
D6221	B0ECHP000003	DIODE	1	
D6222,23	MA2J11100L	DIODE	2	
D6253	LNJ301MPUJA	LED	1	
D6254	MAZ80510LL	ZENER DIODE	1	
D6255	MA2J11100L	DIODE	1	
D6273	MA2J11100L	DIODE	1	
D6275	MA8068M	ZENER DIODE	1	
D6276	MA3X152A0L	DIODE	1	
D6278	MA3X152A0L	DIODE	1	
D6280	MAZ80510LL	ZENER DIODE	1	
D6281	B0JCME000037	DIODE	1	
D6401,02	B0HBSN000008	DIODE	2	
D6422	MA3DF40000LZ	ZENER DIODE	1	
D6441	B0ECHP000003	DIODE	1	
D6451	B0ECHP000003	DIODE	1	
D6461,62	MA3DF30000LZ	ZENER DIODE	2	
D6466	MA2J11100L	DIODE	1	
D6471	B0HBSN000008	DIODE	1	
D6472	B0ECHP000003	DIODE	1	
D6477	MA2J11100L	DIODE	1	
D6478	B0HCKS000002	DIODE	1	
D6480	MA2J11100L	DIODE	1	
D6481	MA3DF30000LZ	ZENER DIODE	1	
D6491	MA3DF40000LZ	ZENER DIODE	1	
D6497	B0ECHP000003	DIODE	1	
D6501	B0ECHP000003	DIODE	1	
D6503	B0ECHP000003	DIODE	1	
D6521-23	B0ECHP000003	DIODE	3	
D6583	LNJ301MPUJA	LED	1	
D6584	MAZ80510LL	ZENER DIODE	1	
D6585	MA2J11100L	DIODE	1	
D6604	MA2J11100L	DIODE	1	
D6605	MAZ80510LL	ZENER DIODE	1	
D6606	B0HCKM000014	DIODE	1	
D6607	MA2J11100L	DIODE	1	
D6619	B0HCKS000002	DIODE	1	
D6621	B0HDSM000006	DIODE	1	
D6623,24	B0HDSM000006	DIODE	2	
D6631,32	MA8240MTX	ZENER DIODE	2	
D6641,42	B0HCKS000002	DIODE	2	
D6643	B0JCME000037	DIODE	1	
D6644	B0HCKS000002	DIODE	1	
D6661	MA2J11100L	DIODE	1	
D6662-64	MA8330M	ZENER DIODE	3	
D6665	MAZ80510LL	ZENER DIODE	1	
D6666,67	MA2J11100L	DIODE	2	
D6670,71	B0JCME000037	DIODE	2	
D6690	MA2J11100L	DIODE	1	
D6691,92	MA8200M	ZENER DIODE	2	

Ref. No.	Part No.	Part Name & Description	Pcs	Remarks
D6701	MA8056H	ZENER DIODE	1	
D6702, 03	MA2J11100L	DIODE	2	
D6721	BOHCKS000002	DIODE	1	
D6722	MA2J11100L	DIODE	1	
D6725	BOEHP000003	DIODE	1	
D6726-33	MA8056H	ZENER DIODE	8	
D6761	BOJCM000037	DIODE	1	
D6763	BOEHP000003	DIODE	1	
D6764	BOHCKS000002	DIODE	1	
D6765, 66	BOEHP000003	DIODE	2	
D6773	BOHCKS000002	DIODE	1	
D6791	MA8200M	ZENER DIODE	1	
D6802	BOBC01000044	ZENER DIODE	1	
D6804	BOEHP000003	DIODE	1	
D6805	MA8240MTX	ZENER DIODE	1	
D6806	BOHCKS000002	DIODE	1	
D6809	BOHCMM000014	DIODE	1	
D6820-23	MA2J11100L	DIODE	4	
D6824, 25	MA8330M	ZENER DIODE	2	
D6826	MA2J11100L	DIODE	1	
D6827, 28	MA8330M	ZENER DIODE	2	
D6830	MA8056H	ZENER DIODE	1	
D6836	MAZ81500ML	ZENER DIODE	1	
D6837	MA2J11100L	DIODE	1	
D6838	BOBC027A0234	ZENER DIODE	1	
D6839	BOEHP000003	DIODE	1	
D6841	BOHCKS000002	DIODE	1	
D6842, 43	MA2J11100L	DIODE	2	
D6859	BOEHP000003	DIODE	1	
D6860	BOHCKS000002	DIODE	1	
D6861	MAZ80510LL	ZENER DIODE	1	
D6862	MA2J11100L	DIODE	1	
D6871	MAZ80510LL	ZENER DIODE	1	
D6872	MA2J11100L	DIODE	1	
D6901, 02	MA8056H	ZENER DIODE	2	
D6903, 04	BOHCMM000013	DIODE	2	
D6951, 52	MA8056H	ZENER DIODE	2	
D6953, 54	BOHCMM000013	DIODE	2	
D7103-10	BOHCMM000014	DIODE	8	
D7201-08	BOHCMM000014	DIODE	8	
D8001	MA2J11100L	DIODE	1	
D8003	MA2J11100L	DIODE	1	
D8010, 11	MA153A	DIODE	2	
D8180	MA2J11100L	DIODE	1	
D8181	MAZ80560ML	ZENER DIODE	1	
D8184, 85	MAZ80560ML	ZENER DIODE	2	
D8200	MAZ31600ML	ZENER DIODE	1	
D8201	MA2J11100L	DIODE	1	
D8203	MA3100M	ZENER DIODE	1	
D8204	MA2J11100L	DIODE	1	
D8209	MA2J11100L	DIODE	1	
D8210	MA3100M	ZENER DIODE	1	
D8211	MA2J11100L	DIODE	1	
D8212	MAZ80560ML	ZENER DIODE	1	
D8213	MA2J11100L	DIODE	1	
D9017-19	MA3033	ZENER DIODE	3	
D9020	BOJCCE000008	DIODE	1	
D9110	BOJCGD000002	DIODE	1	
D9802	BOJCCE000008	DIODE	1	
D9804	BOJCCE000008	DIODE	1	

Ref. No.	Part No.	Part Name & Description	Pcs	Remarks
D9807, 08	BOJCCE000008	DIODE	2	
D9811	BOJCCE000008	DIODE	1	
D9812	MA22D3900L	DIODE	1	
D9813-15	BOJCGD000002	DIODE	3	
D9816, 17	MA22D3900L	DIODE	2	
DN1	K1MN80BA0076	80P CONNECTOR	1	
DN4	K1KA14A00248	14P CONNECTOR	1	
DN6	K1KB31BA0064	31P CONNECTOR	1	
DN11	K1KA21A00011	21P CONNECTOR	1	
DN31	K1KA03AA0150	3P CONNECTOR	1	
DN33	K1KA03AA0150	3P CONNECTOR	1	
DS1	K1MN80BA0076	80P CONNECTOR	1	
DS2	K1KA06BA0047	6P CONNECTOR	1	
DS4	K1KA11BA0051	11P CONNECTOR	1	
DS6	K1KA10BA0051	10P CONNECTOR	1	
DS7, 88	K1KA03BA0055	3P CONNECTOR	2	
DS11-13	K1KB80B00024	80P CONNECTOR	3	
DS14	K1KA15AA0194	CONNECTOR	1	
DS15	K1KA03BA0047	3P CONNECTOR	1	
FL3000-15	F1J1E1040022	C 0.10UF, Z, 25V	16	
FL3510-17	TAXA0024	LC FILTER	8	
FL4001	J0MAB0000175	LC FILTER	1	
FL4502-04	F1J1E1040022	C 0.10UF, Z, 25V	3	
FL4707-10	F1J1E1040022	C 0.10UF, Z, 25V	4	
FL7101	J0HABH000013	LC FILTER	1	
FL7201	J0HABH000013	LC FILTER	1	
FL9300, 01	F1J1E104A148	C 0.10UF, Z, 25V	2	
FL9504	F1J1E104A148	C 0.10UF, Z, 25V	1	
FL9803	F1J1E104A148	C 0.10UF, Z, 25V	1	
FL9805, 06	F1J1E104A148	C 0.10UF, Z, 25V	2	
FL9900-04	F1J1E104A148	C 0.10UF, Z, 25V	5	
GK3	K1KA03BA0061	3P CONNECTOR	1	
HX1	K1KA15AA0194	CONNECTOR	1	
IC401	CNC1S171R	IC	1	△
IC403	CNC1S171R	IC	1	△
IC406	C0DBZZ00082	IC	1	
IC408	B3PBA0000459	IC	1	△
IC409	MIP3E30MPSCF	IC	1	△
IC411	C0DAEMZ00001	IC	1	
IC412	CNC1S171R	IC	1	△
IC501	C2ABDB000114	IC	1	
IC502	C0EBH0000210	IC	1	
IC504	C0DAEMZ00001	IC	1	
IC505	B3PBA0000459	IC	1	△
IC506	C0DAEMZ00001	IC	1	
IC507	B3PBA0000459	IC	1	△
IC508	C0DAEMZ00001	IC	1	
IC509	C0BBAA000039	IC	1	
IC510	C0DBAZG00034	IC	1	
IC511-13	C0DAEMZ00001	IC	3	
IC520	C9ZB00000561	IC	1	
IC801-03	C0DBAMH00018	IC	3	
IC804	C0CBCAC00275	IC	1	
IC2301, 02	C1AB00002534	IC	2	
IC2303	C1BB00001006	IC	1	
IC2305	C0ABBA000168	IC	1	
IC3001	C1AB00002530	IC	1	

Ref. No.	Part No.	Part Name & Description	Pcs	Remarks
IC3002	C0JBRR000002	IC	1	
IC3003	CXA1315M	LINEAR IC	1	
IC3004	CXA1875AM	LINEAR IC	1	
IC3005	CLAB00002529	IC	1	
IC3006	MC14052BF	MOS IC (CMOS GATE ARRAY)	1	
IC3007, 08	C0JBAS000215	IC	2	
IC3101	CLAB00002238	IC	1	
IC3153	C0JBAZ001120	IC	1	
IC3502	C3EBDC000067	IC	1	
IC4001	C0FBAY000012	IC	1	
IC4002	C0CBCBE00001	IC	1	
IC4031, 32	C0JBAE000354	IC	2	
IC4201	CLZBZ0003233	IC	1	
IC4301	C0JBAP000020	IC	1	
IC4500	CLZBZ0003478	IC	1	
IC4501	MN845111-A	IC	1	
IC4502	C3ABQJ000031	IC	1	
IC4701	MN103SB30RGL	IC	1	
IC4702	TVRP384S	IC	1	PAVCA
IC4703	C3EBKC000014	IC	1	
IC4704	C0EBE0000447	IC	1	
IC4711	C0JBAE000354	IC	1	
IC4714	C0JBAB000388	IC	1	
IC4715	C0JBAE000354	IC	1	
IC4721	CLZBZ0003577	IC	1	
IC4803	C0JBAS000215	IC	1	
IC4901	C0DBAY00274	IC	1	
IC4953	C0CBCAD00016	IC	1	
IC4954	C0DBZFF00004	IC	1	
IC4956	C0CBCBC00190	IC	1	
IC6131	C0ZBZ0000895	IC	1	
IC6151	C0ZBZ0001324	IC	1	
IC6191	C0ZBZ0000895	IC	1	
IC6211	C0ZBZ0001325	IC	1	
IC6221	C0DBEMC00043	IC	1	
IC6241	C0JBAZ000005	IC	1	
IC6251	NJM2903M	INTEGRATED CIRCUIT	1	
IC6471	C0DBEKA00003	IC	1	
IC6472	C0JBAA000377	IC	1	
IC6501	C0ZBZ0000895	IC	1	
IC6521	C0ZBZ0001324	IC	1	
IC6561, 62	C0JBAZ000005	IC	2	
IC6581	NJM2903M	INTEGRATED CIRCUIT	1	
IC6671	C0ZBZ0001325	IC	1	
IC6721, 22	C0JBAZ000994	IC	2	
IC6724, 25	C0CBADC00072	IC	2	
IC6752	C0ZBZ0001324	IC	1	
IC6771	C0CBADC00072	IC	1	
IC6772	C0ZBZ0001325	IC	1	
IC6773, 74	C0JBAA000377	IC	2	
IC6791	N0BF1FB00001	IC	1	
IC6801, 02	C0DBEMC00043	IC	2	
IC6803	C5HABZ00165	IC	1	
IC6821	C0DBEMC00043	IC	1	
IC6841	C0DBEMC00043	IC	1	
IC6861	NJM2903M	INTEGRATED CIRCUIT	1	
IC6871	NJM2903M	INTEGRATED CIRCUIT	1	
IC6901-06	AN16077A-VT	IC	6	
IC6951-56	AN16077A-VT	IC	6	
IC7101, 02	C0JBAZ001120	IC	2	
IC7201, 02	C0JBAZ001120	IC	2	
IC7204	C0JBAZ001120	IC	1	
IC8001	MC14052BF	MOS IC (CMOS GATE ARRAY)	1	

Ref. No.	Part No.	Part Name & Description	Pcs	Remarks
IC8003	CLAA00000706	IC	1	
IC8005	C0JBAB000646	IC	1	
IC8007	C0JBAR000419	IC	1	
IC8009	C0JBAS000251	IC	1	
IC8014	COZBZ0001361	IC	1	
IC8017, 18	C0JBAB000715	IC	2	
IC8100	C0CBAKD00001	IC	1	
IC8181	CLDB00001208	IC	1	
IC9001	TVRP496S	IC	1	PAVCA
IC9002	CLZBZ0003577	IC	1	
IC9003	MNZSFC9GPH2	IC	1	
IC9007	TVRP210-4	IC	1	
IC9011	C0EBF0000431	IC	1	
IC9013	C0JBAZ002060	IC	1	
IC9200	CLZBZ0003600	IC	1	
IC9303	TVRP214-2	IC	1	
IC9500	CLZBZ0003575	IC	1	
IC9802, 03	C0JBAZ001120	IC	2	
IC9805	C0DBAY00274	IC	1	
IC9806	C0DBAY00273	IC	1	
IC9900	MN84524	IC	1	
IC9901	C3ABQJ000048	IC	1	
J410	DOX0R0000056	M 0 OHM,J,1/10W	1	
JAL-16	ERJ6GEY0R00V	M 0 OHM, 1/10W	16	
JK3509	K1FA109B0062	CONNECTOR	1	
JK3511	K1FB115BA020	CONNECTOR	1	
JK3513	K2HC103B0105	JACK	1	
K1	K1KY12B00001	12P CONNECTOR	1	
L403	EXCELSA35	BEAD CHOKE	1	
L404,05	G0B123K00004	CHOKE COIL	2	△
L406	J0JCC0000004	CHIP INDUCTOR	1	
L410	G0B353D00002	CHOKE COIL	1	△
L511	G0A470ZA0035	CHOKE COIL	1	
L512	G0C4R7JA0021	PEAKING COIL	1	
L514	G0A100GA0013	CHOKE COIL	1	
L515	J0JKB0000037	FLAT CORE	1	
L518	J0JCC0000004	CHIP INDUCTOR	1	
L801	G1A101ZA0007	CHOKE COIL	1	
L802	G1C101MA0167	INDUCTION COIL	1	
L803	G1C220MA0167	INDUCTION COIL	1	
L804,05	J0JHC0000078	CHIP INDUCTOR	2	
L807-11	J0JHC0000078	CHIP INDUCTOR	5	
L2330, 31	G0A221ZA0041	CHOKE COIL	2	
L3002	G1C100K00020	INDUCTION COIL	1	
L3005, 06	G1C100K00020	INDUCTION COIL	2	
L3050	G1C100K00020	INDUCTION COIL	1	
L3140	J0JHC0000078	CHIP INDUCTOR	1	
L3526	ELJPA100KFB	CHIP INDUCTOR	1	
L3555	ELJPA100KFB	CHIP INDUCTOR	1	
L4206	J0JHC0000096	CHIP INDUCTOR	1	
L4301-03	J0JHC0000078	CHIP INDUCTOR	3	
L4501	G1C150KA0038	INDUCTION COIL	1	
L4502-05	J0JHC0000096	CHIP INDUCTOR	4	
L4701-04	J0JHC0000096	CHIP INDUCTOR	4	
L4901	G1C1R8MA0248	CHOKE COIL	1	PAVCA
L4902	G1C2R2MA0248	INDUCTION COIL	1	
L6000	J0JJC0000015	CHIP INDUCTOR	1	
L6001-03	ELC12P2R2E	CHOKE COIL	3	
L6010	J0JJC0000015	CHIP INDUCTOR	1	
L6011-13	ELC12P2R2	CHOKE COIL	3	

Ref. No.	Part No.	Part Name & Description	Pcs	Remarks
L6061-64	J0JKB0000049	FLAT CORE	4	
L6083,84	J0JKB0000049	FLAT CORE	2	
L6101	J0JJC0000015	CHIP INDUCTOR	1	
L6103	GOZZ00002183	PEAKING COIL	1	
L6106	J0JJC0000015	CHIP INDUCTOR	1	
L6212	J0JJC0000015	CHIP INDUCTOR	1	
L6221	GOZZ00002183	PEAKING COIL	1	
L6241	GOZZ00002183	PEAKING COIL	1	
L6262	GOZZ00002183	PEAKING COIL	1	
L6271	GOZZ00002183	PEAKING COIL	1	
L6401-03	ELC12P2R2E	CHOKE COIL	3	
L6411-13	ELC12P2R2	CHOKE COIL	3	
L6461-64	J0JKB0000049	FLAT CORE	4	
L6472	GOZZ00002183	PEAKING COIL	1	
L6474	GOZZ00002183	PEAKING COIL	1	
L6481,82	J0JKB0000049	FLAT CORE	2	
L6591,92	GOZZ00002183	PEAKING COIL	2	
L6601,02	GOZZ00002183	PEAKING COIL	2	
L6690	GOZZ00002183	PEAKING COIL	1	
L8001	G1C100K00020	INDUCTION COIL	1	
L8003	G1C100K00020	INDUCTION COIL	1	
L8005	G1C100K00020	INDUCTION COIL	1	
L8101-08	J0JHC0000078	CHIP INDUCTOR	8	
L9500	G1C150KA0038	INDUCTION COIL	1	
L9501,02	J0JHC0000078	CHIP INDUCTOR	2	
L9504,05	J0JHC0000078	CHIP INDUCTOR	2	
L9800	G1C2R2Z00007	INDUCTION COIL	1	
L9801	G1C1R5Z00006	INDUCTION COIL	1	
L9802	G1C2R2Z00007	INDUCTION COIL	1	
NP	TNPA4109AB	CIRCUIT BOARD DS	1	PAVCA △
NP	TXNHX1XNTU	CIRCUIT BOARD HX	1	PAVCA △
NP	TXNDNLXQTU	CIRCUIT BOARD DN	1	PAVCA △
NP	TXNC11HPTUJ	CIRCUIT BOARD C1	1	PAVCA △
NP	TXNC21HPTUJ	CIRCUIT BOARD C2	1	PAVCA △
NP	TXN/DLXJTU	CIRCUIT BOARD D	1	PAVCA △
NP	TXN/PIXJTUS	CIRCUIT BOARD P	1	PAVCA △
NP	TXNSC1HPTUJ	CIRCUIT BOARD SC	1	PAVCA △
NP	TXNSD1HPTUJ	CIRCUIT BOARD SD	1	PAVCA △
NP	TXNSS1HPTUJ	CIRCUIT BOARD SS	1	PAVCA △
NP	TXNSU1HPTUJ	CIRCUIT BOARD SU	1	PAVCA △
NP	TXNGK1ZQTU	CIRCUIT BOARD GK	1	PAVCA △
NP	TXN/K1ZQTU	CIRCUIT BOARD K	1	PAVCA △
NP	TXN/S1ZQTU	CIRCUIT BOARD S	1	PAVCA △
P2	K1KA02A00626	2P CONNECTOR	1	
P6	K1KA12AA0191	12P CONNECTOR	1	
P7	K1KA11AA0191	11P CONNECTOR	1	
P9	K1KA03A00537	3P CONNECTOR	1	
P11	K1KA02A00626	2P CONNECTOR	1	
P12	K1KA08A00514	8P CONNECTOR	1	
P25	K1KA13AA0194	13P CONNECTOR	1	
PA4901	K5H4022A0023	FUSE	1	
PA9800	K5H4022A0023	FUSE	1	
PA9900	K5H5022A0023	FUSE	1	
PC6480	B3PBA0000223	IC	1	
PC6701,02	B3PBA0000233	IC	2	
PC6704	B3PBA0000234	IC	1	
PC6705	B3PBA0000397	IC	1	
PC6801	B3PBA0000223	IC	1	
PC6861	B3PBA0000223	IC	1	

Ref. No.	Part No.	Part Name & Description	Pcs	Remarks
PC6871	B3PBA0000223	IC	1	
PMM1	TMME047	CLAMPER	1	
PMM2 M3	TMM7464-2	CLAMPER	2	
PMM5	TMM7464-2	CLAMPER	1	
PMM6 M7	TMME260	CLAMPER	2	
PR401	K5Y502BA0001	FUSE	1	△
PR402	ERBSE0R50U	FUSE	1	△
PR501	ERBSE0R50U	FUSE	1	△
PR505	ERBSE5R00U	FUSE	1	△
PR509	ERBSE0R50U	FUSE	1	△
PR601	K5G312B00012	FUSE	1	△
Q401	B1CHND000004	TRANSISTOR	1	
Q402	B1CBGD000001	FET	1	
Q404	B1BCCF000022	TRANSISTOR	1	
Q406	B1DEKQ000003	TRANSISTOR	1	△
Q407	B1HFCFA00021	TRANSISTOR	1	
Q408,09	B1DHCD000034	TRANSISTOR	2	
Q410	2SD1819ARL	TRANSISTOR	1	
Q411	B1HFCFA00021	TRANSISTOR	1	
Q412,13	B1DAGQ000013	TRANSISTOR	2	△
Q420	2SD1819ARL	TRANSISTOR	1	
Q422	B1CBGD000001	FET	1	
Q501,02	2SD1820A0L	TRANSISTOR	2	
Q507	B1DEFQ000008	TRANSISTOR	1	
Q508	B1HBCFA00033	TRANSISTOR	1	
Q509	B1HDCFA00001	TRANSISTOR	1	
Q510	B1DFDD000019	TRANSISTOR	1	
Q517	B1HBCFA00033	TRANSISTOR	1	
Q520	B1HBCFA00033	TRANSISTOR	1	
Q521	B1CBGD000001	FET	1	
Q524	B1CFGF000008	TRANSISTOR	1	
Q525	B1CBGD000001	FET	1	
Q527	B1CERM000012	FET	1	
Q530	B1ADCF000111	TRANSISTOR	1	
Q535	2SD1819ARL	TRANSISTOR	1	
Q537	B1DFDD000019	TRANSISTOR	1	
Q538	B1CBGD000001	FET	1	
Q540	B1DFDD000019	TRANSISTOR	1	
Q541	B1CBGD000001	FET	1	
Q553	2SD1819ARL	TRANSISTOR	1	
Q554	B1CHND000004	TRANSISTOR	1	
Q555,56	B1CFRD000018	FET	2	
Q563	2SD1819ARL	TRANSISTOR	1	
Q564,65	B1ADCF000111	TRANSISTOR	2	
Q566	2SD1819ARL	TRANSISTOR	1	
Q569	B1CBGD000001	FET	1	
Q2300	B1BCCF000028	TRANSISTOR	1	
Q2331	B1BCCF000028	TRANSISTOR	1	
Q2372	2SD0601ARL	TRANSISTOR	1	
Q2510,11	2SD0601ARL	TRANSISTOR	2	
Q2513	2SD0601ARL	TRANSISTOR	1	
Q3001	2SB0709ARL	TRANSISTOR	1	
Q3531,32	2SD0601ARL	TRANSISTOR	2	
Q4701	B1CBHD000002	FET	1	
Q4702-07	2SD0601ARL	TRANSISTOR	6	
Q4708	B1CBHD000002	FET	1	
Q4712-14	2SD0601ARL	TRANSISTOR	3	
Q4801-03	2SD0601ARL	TRANSISTOR	3	
Q4901,02	B1MBEDA00015	TRANSISTOR	2	
Q4961,62	2SD0601ARL	TRANSISTOR	2	
Q6001-03	B1JADN000001	TRANSISTOR	3	
Q6021-23	B1JADN000001	TRANSISTOR	3	
Q6031	B1ADRD000001	TRANSISTOR	1	

Ref. No.	Part No.	Part Name & Description	Pcs	Remarks
Q6041,42	B1JADN000003	TRANSISTOR	2	
Q6052	B1JADN000003	TRANSISTOR	1	
Q6101	B1DFKM000002	TRANSISTOR	1	
Q6103	B1ABNF000006	TRANSISTOR	1	
Q6104	B1ADNF000006	TRANSISTOR	1	
Q6106	B1DFKM000002	TRANSISTOR	1	
Q6111	B1DFKM000001	TRANSISTOR	1	
Q6114	B1DFKM000001	TRANSISTOR	1	
Q6141	B1ABNF000006	TRANSISTOR	1	
Q6142	B1ADNF000006	TRANSISTOR	1	
Q6146	B1ABNF000006	TRANSISTOR	1	
Q6147	B1ADNF000006	TRANSISTOR	1	
Q6171	B1ABRD000003	TRANSISTOR	1	
Q6172	B1ABRD000001	TRANSISTOR	1	
Q6181	B1ABRD000003	TRANSISTOR	1	
Q6222	2SC1473AEA	TRANSISTOR	1	
Q6251	2SD0601ARL	TRANSISTOR	1	
Q6256	2SD1263A	TRANSISTOR	1	
Q6271	2SD0601ARL	TRANSISTOR	1	
Q6401-03	B1JADN000001	TRANSISTOR	3	
Q6421-23	B1JADP000003	TRANSISTOR	3	
Q6441,42	B1JADN000003	TRANSISTOR	2	
Q6451	B1JADP000003	TRANSISTOR	1	
Q6501	B1ABNF000006	TRANSISTOR	1	
Q6502	B1ADNF000006	TRANSISTOR	1	
Q6521	B1ABNF000006	TRANSISTOR	1	
Q6522	B1ADNF000006	TRANSISTOR	1	
Q6531	B1ABRD000003	TRANSISTOR	1	
Q6532	B1ABRD000001	TRANSISTOR	1	
Q6551	B1ABRD000003	TRANSISTOR	1	
Q6552	B1ABRD000001	TRANSISTOR	1	
Q6581	2SD0601ARL	TRANSISTOR	1	
Q6601	B1DFES000003	TRANSISTOR	1	
Q6602	2SD0601ARL	TRANSISTOR	1	
Q6603	2SB0709ARL	TRANSISTOR	1	
Q6621,22	2SK399500L	FET	2	
Q6642-44	2SK399500L	FET	3	
Q6646-48	2SK399500L	FET	3	
Q6661	B1DEET000002	TRANSISTOR	1	
Q6662	2SD0601ARL	TRANSISTOR	1	
Q6665	B1ABNF000006	TRANSISTOR	1	
Q6671,72	B1DFDR000001	TRANSISTOR	2	
Q6679	B1ABNF000006	TRANSISTOR	1	
Q6680	B1ADNF000006	TRANSISTOR	1	
Q6690	2SA19610Q0HW	TRANSISTOR	1	
Q6742,43	2SD0601ARL	TRANSISTOR	2	
Q6762	B1ADNF000006	TRANSISTOR	1	
Q6781	B1ABNF000006	TRANSISTOR	1	
Q6782	B1ADNF000006	TRANSISTOR	1	
Q6791	2SD0601ARL	TRANSISTOR	1	
Q6805	2SC3063	TRANSISTOR	1	
Q6806	2SC1473AEA	TRANSISTOR	1	
Q6821,22	2SD1263A	TRANSISTOR	2	
Q6824	2SD0601ARL	TRANSISTOR	1	
Q6841	2SD1263A	TRANSISTOR	1	
Q6842	2SC1473AEA	TRANSISTOR	1	
Q8002	2SD0601ARL	TRANSISTOR	1	
Q8010	2SD0601ARL	TRANSISTOR	1	
Q8011	2SB0709ARL	TRANSISTOR	1	
Q8012	2SD0601ARL	TRANSISTOR	1	
Q8013	2SB0709ARL	TRANSISTOR	1	
Q8019	2SD0601ARL	TRANSISTOR	1	
Q8181-84	B1CBHD000002	FET	4	

Ref. No.	Part No.	Part Name & Description	Pcs	Remarks
Q8200-02	2SD0601ARL	TRANSISTOR	3	
Q9010	2SD0601ARL	TRANSISTOR	1	
Q9044	2SD0601ARL	TRANSISTOR	1	
Q9046	2SD0601ARL	TRANSISTOR	1	
Q9050-54	2SD0601ARL	TRANSISTOR	5	
Q9301,02	2SD0601ARL	TRANSISTOR	2	
Q9805,06	2SD0601ARL	TRANSISTOR	2	
Q9807-09	B1MBEDA00015	TRANSISTOR	3	
R401	ERJ6GEYG103	M 10KOHM,J,1/10W	1	
R402	ERJ6GEYG821	M 820 OHM,J,1/10W	1	
R403	ERJ6GEYG105	M 1MOHM,J,1/10W	1	
R404	ERJ6GEYG153	M 15KOHM,J,1/10W	1	
R405	DOB1825JA033	M1.22MOHM,J,0.05W	1	△
R406	ERX12SJ4R7	M 4.7 OHM, J,1/2W	1	
R407	D1AB2203A023	CHIP RESISTOR	1	
R408	ERJ6GEYF472	M 4.7KOHM,F,1/10W	1	
R409	ERJ6GEYG102	M 1KOHM,J,1/10W	1	
R410	D1AB2203A023	CHIP RESISTOR	1	
R411	ERF5TJ100	W 10 OHM, J, 5W	1	△
R414	ERJ8GEYJ153	M 15KOHM, J,1/8W	1	
R415	D1AB2203A023	CHIP RESISTOR	1	
R417	D1AB4303A023	CHIP RESISTOR	1	
R418	ERJ6GEYJ6R8V	M 6.8 OHM,J,1/10W	1	
R419	ERJ6GEYG104	M 10KOHM,J,1/10W	1	
R421	ERJ6GEYF333	M 33KOHM,J,1/10W	1	
R422	ERJ6GEYF472	M 4.7KOHM,F,1/10W	1	
R423	ERJ6GEYG221	M 220 OHM,J,1/10W	1	
R424	ERJ6GEYJ223	M 22KOHM,J,1/10W	1	
R425	ERJ6ENF1802	M 18KOHM, 1/10W	1	
R426	ERJ6GEYG103	M 10KOHM,J,1/10W	1	
R428	ERJ6GEYG103	M 10KOHM,J,1/10W	1	
R429	ERJ6GEYJ4R7	M 4.7 OHM,J,1/10W	1	
R430	D1AB4303A023	CHIP RESISTOR	1	
R431	ERJ6GEYG103	M 10KOHM,J,1/10W	1	
R432	D1AB4303A023	CHIP RESISTOR	1	
R433	ERJ6RBD123V	M 12KOHM, 1/10W	1	
R436	ERJ8GEYJ153	M 15KOHM, J,1/8W	1	
R437	ERJ6GEYG183	M 18KOHM,J,1/10W	1	
R438	ERJ6GEYG331	M 330 OHM,G,1/10W	1	
R439	ERGL2SJ120	M 12 OHM, J,1/2W	1	
R440	ERJ8GEYJ474	M 470KOHM, J,1/8W	1	
R441,42	D1AB6803A023	CHIP RESISTOR	2	
R443	EVMAASA00B23	CONTROL 2KOHMB	1	
R444	ERJ6GEYF123	M 12KOHM,J,1/10W	1	
R445	D1AB6803A023	CHIP RESISTOR	1	
R448,49	DOXGR12J0001	M 0.12OHM,J, 5W	2	
R450	ERJ6GEYJ4R7	M 4.7 OHM,J,1/10W	1	
R451	ERJ6GEYF333	M 33KOHM,J,1/10W	1	
R452	ERJ6GEYG103	M 10KOHM,J,1/10W	1	
R454	ERJ6GEYG103	M 10KOHM,J,1/10W	1	
R455	ERJ6GEYF123	M 12KOHM,J,1/10W	1	
R456	ERJ6GEYF333	M 33KOHM,J,1/10W	1	
R458	ERJ6GEYF472	M 4.7KOHM,F,1/10W	1	
R460	ERDS2TC0	C 0 OHM, 1/4W	1	
R461	ERJ6GEYG103	M 10KOHM,J,1/10W	1	
R463	ERJ6GEYF333	M 33KOHM,J,1/10W	1	
R464	ERJ6ENF3302	M 33KOHM, 1/10W	1	
R467	ERJ6GEYG102	M 1KOHM,J,1/10W	1	
R468,69	ERX12SJ1R0	M 0.1 OHM, J,1/2W	2	
R471	ERJ8GEYJ332	M 3.3KOHM, J,1/8W	1	
R472-74	D1AB5603A023	CHIP RESISTOR	3	
R476,77	ERJ14YJ181	M 181 OHM, J,1/4W	2	
R478	ERJ8GEYJ220	M 22 OHM, J,1/8W	1	
R482	ERJ8GEYJ220	M 22 OHM, J,1/8W	1	
R483	DOBF334JA030	CHIP RESISTOR	1	△
R484	ERJ6GEYF473	M 47KOHM,J,1/10W	1	
R485	ERJ6GEYF472	M 4.7KOHM,F,1/10W	1	
R488	ERJ6GEYG104	M 100KOHM,J,1/10W	1	

Ref. No.	Part No.	Part Name & Description	Pcs	Remarks
R490	ERJ6GEYG103	M 10KOHM,J,1/10W	1	
R491	ERJ6GEYG821	M 820 OHM,J,1/10W	1	
R493	ERG125J120	M 12 OHM, J,1/2W	1	
R498	ERG3SJ101	M 100 OHM, J, 3W	1	
R500	ERJ6GEYJ224	M 220KOHM,J,1/10W	1	
R501	ERJ6GEYG154	M 150KOHM,J,1/10W	1	
R502,03	ERJ6GEYJ224	M 220KOHM,J,1/10W	2	
R505	ERJ8GEYJ330	M 33 OHM, J,1/8W	1	
R507	ERJ6GEYG221	M 220 OHM,J,1/10W	1	
R508	ERJ6GEYG182	M 1.8KOHM,J,1/10W	1	
R510	ERJ8GEY0R00	M 0 OHM, 1/8W	1	
R512	ERJ6GEYG823	M 82KOHM,J,1/10W	1	
R513	ERJ6GEYG332	M 3.3KOHM,J,1/10W	1	
R514	ERJ6GEYG104	M 100KOHM,J,1/10W	1	
R518	ERJ6GEYG102	M 1KOHM,J,1/10W	1	
R519	ERJ6GEYG104	M 100KOHM,J,1/10W	1	
R520	ERJ6GEYJ101V	M 100 OHM,J,1/10W	1	
R523	ERJ6GEYF473	M 47KOHM,J,1/10W	1	
R524	ERJ6GEYG102	M 1KOHM,J,1/10W	1	
R526,27	ERJ6ENF1803	M 180KOHM, 1/10W	2	
R528	ERJ6GEYJ4R7	M 4.7 OHM,J,1/10W	1	
R529	ERJ6GEYJ101V	M 100 OHM,J,1/10W	1	
R530,31	ERJ6RBD333	M 33KOHM,J,1/10W	2	
R532	ERJ6GEYG102	M 1KOHM,J,1/10W	1	
R533	ERJ6ENF1803	M 180KOHM, 1/10W	1	
R534	ERJ6ENF8201	M 8.2KOHM, 1/10W	1	
R537	ERJ6ENF1003	M 100KOHM, 1/10W	1	
R538	ERJ6GEYG104	M 100KOHM,J,1/10W	1	
R539	ERJ6GEYG103	M 10KOHM,J,1/10W	1	
R540,41	ERJ6GEYG105	M 1MOHM,J,1/10W	2	
R542	ER0S2CKF2202	M 22KOHM, F,1/4W	1	
R543	ERJ6ENF3902	M 39KOHM, 1/10W	1	
R545	ERJ6GEYG102	M 1KOHM,J,1/10W	1	
R546	ERJ6GEYG104	M 100KOHM,J,1/10W	1	
R547	ERJ6GEYJ101V	M 100 OHM,J,1/10W	1	
R550	ERJ6GEYG102	M 1KOHM,J,1/10W	1	
R551	ERJ6GEYF151	M 150 OHM,F,1/10W	1	
R553	ERJ6GEYJ101V	M 100 OHM,J,1/10W	1	
R555	ERJ6GEYG102	M 1KOHM,J,1/10W	1	
R556	ERJ6GEYG105	M 1MOHM,J,1/10W	1	
R557,58	ERJ6GEYJ101V	M 100 OHM,J,1/10W	2	
R559	ERJ6ENF8201	M 8.2KOHM, 1/10W	1	
R560	ERJ6ENF9101	M 9.1KOHM, 1/10W	1	
R561	ERJ6ENF5101	M 5.1KOHM, 1/10W	1	
R562	ERJ6ENF4701	M 4.7KOHM, 1/10W	1	
R563	ERJ6GEYJ2R2	M 2.2 OHM,J,1/10W	1	
R564	ERJ6GEYG104	M 100KOHM,J,1/10W	1	
R565,66	ERJ6GEYG105	M 1MOHM,J,1/10W	2	
R567,68	ERJ8GEYJ105	M 1MOHM, J,1/8W	2	
R569	ERJ6ENF3302	M 33KOHM, 1/10W	1	
R570	ERJ6GEYG104	M 100KOHM,J,1/10W	1	
R571	ERJ6GEYG105	M 1MOHM,J,1/10W	1	
R572,73	ERJ6GEYG102	M 1KOHM,J,1/10W	2	
R574	ERJ6GEYG331	M 330 OHM,G,1/10W	1	
R576	ERJ6RBD123V	M 12KOHM, 1/10W	1	
R579	ERJ6GEYG103	M 10KOHM,J,1/10W	1	
R581	ERJ6GEYF473	M 47KOHM,J,1/10W	1	
R582	ERJ6ENF1002	M 10KOHM, 1/10W	1	
R584	ERJ6GEYG103	M 10KOHM,J,1/10W	1	
R585	ERJ6GEYF333	M 33KOHM,J,1/10W	1	
R586	ERJ6GEYJ223	M 22KOHM,J,1/10W	1	
R587	ERJ8RSJR16V	M 16 OHM, 1/8W	1	
R592	ERJ6GEYJ223	M 22KOHM,J,1/10W	1	
R593	ERJ6GEYG104	M 100KOHM,J,1/10W	1	
R594	ERJ6GEYF151	M 150 OHM,F,1/10W	1	
R595	ERJ6GEYG221	M 220 OHM,J,1/10W	1	
R596	ERJ6GEYJ101V	M 100 OHM,J,1/10W	1	
R597,98	ERJ6ENF3302	M 33KOHM, 1/10W	2	
R599,00	ERJ8ENF3900	M 390 OHM, 1/8W	2	
R601	ERJ6GEYJ471	M 470 OHM,J,1/10W	1	
R603	ERJ6GEYJ101V	M 100 OHM,J,1/10W	1	
R604	ERJ6RBD303	M 30KOHM,J,1/10W	1	
R605	ERJ6GEYG103	M 10KOHM,J,1/10W	1	

Ref. No.	Part No.	Part Name & Description	Pcs	Remarks
R606	ERJ6ENF1201	M 1.2KOHM, 1/10W	1	
R607	ERJ6ENF2202	M 2.2KOHM, 1/10W	1	
R608	ERJ8GEYJ332	M 3.3KOHM, J,1/8W	1	
R609	ERJ6GEYG102	M 1KOHM,J,1/10W	1	
R610	ERJ6GEYJ222	M 2.2KOHM,J,1/10W	1	
R611	ERDS2FJ101	C 100 OHM, J,1/4W	1	
R612	ERJ6GEYJ222	M 2.2KOHM,J,1/10W	1	
R613	ERJ6ENF2402	M 24KOHM, 1/10W	1	
R614	ERJ6ENF3301	M 3.3KOHM, 1/10W	1	
R616,17	ERJ6GEYJ223	M 22KOHM,J,1/10W	2	
R618	ERJ6GEYG104	M 100KOHM,J,1/10W	1	
R619	ERJ8RQFR39	M 0.39OHM, J,1/8W	1	
R620	ERJ6GEYG102	M 1KOHM,J,1/10W	1	
R622	ERJ6ENF1603	M 160KOHM, 1/10W	1	
R624	ERX2SJR22P	M0.22 OHM, J, 2W	1	
R625	ERJ6GEYF472	M 4.7KOHM,F,1/10W	1	
R626	ERJ6ENF1603	M 160KOHM, 1/10W	1	
R627	ERJ6GEYJ752	M 7.5KOHM,J,1/10W	1	
R628	EVMAASA00B33	CONTROL 3KOHMB	1	
R629	ERJ6GEYG105	M 1MOHM,J,1/10W	1	
R630	ERJ6GEYF472	M 4.7KOHM,F,1/10W	1	
R631	ERJ8GEYJ333	M 33KOHM, J,1/8W	1	
R632	ERJ6GEYJ221	M 220 OHM,J,1/10W	1	
R633	ERJ6GEYG105	M 1MOHM,J,1/10W	1	
R634	ERJ8RQFR39	M 0.39OHM, J,1/8W	1	
R635	ERJ6GEYG103	M 10KOHM,J,1/10W	1	
R636	ERJ6ENF1603	M 160KOHM, 1/10W	1	
R637	ERJ8RQFR39	M 0.39OHM, J,1/8W	1	
R641	ERJ6GEYF473	M 47KOHM,J,1/10W	1	
R642-44	ERJ8RQFR39	M 0.39OHM, J,1/8W	3	
R645	ERJ6GEYJ101V	M 100 OHM,J,1/10W	1	
R646,47	ERJ14YJ330	M 33 OHM, J,1/4W	2	
R648	ERJ6ENF1603	M 160KOHM, 1/10W	1	
R649	ERJ6GEYJ223	M 22KOHM,J,1/10W	1	
R650	ERJ6GEYG103	M 10KOHM,J,1/10W	1	
R651	ERJ6ENF1002	M 10KOHM, 1/10W	1	
R652	ERJ6GEYF123	M 12KOHM,J,1/10W	1	
R653	ERJ6ENF3302	M 33KOHM, 1/10W	1	
R654	ERJ6GEYJ223	M 22KOHM,J,1/10W	1	
R655	ERJ8RSJR16V	M 16 OHM, 1/8W	1	
R656	ERJ6ENF1803	M 180KOHM, 1/10W	1	
R657	ERJ6GEYF561	M 560 OHM,F,1/10W	1	
R658	ERJ6GEYG105	M 1MOHM,J,1/10W	1	
R659	ERJ6RBD303	M 30KOHM,J,1/10W	1	
R660	ERJ6RBD123V	M 12KOHM, 1/10W	1	
R661	EVMAASA00B53	CONTROL 5KOHMB	1	
R662	ERJ6ENF1503	M 150KOHM, 1/10W	1	
R664	ERJ6ENF9101	M 9.1KOHM, 1/10W	1	
R665	EVMAASA00B23	CONTROL 2KOHMB	1	
R669	ERJ6ENF1503	M 150KOHM, 1/10W	1	
R670	ERJ6GEYG102	M 1KOHM,J,1/10W	1	
R671	ERJ6RBD911	M 910 OHM,J,1/10W	1	
R672,73	ERJ6GEYG102	M 1KOHM,J,1/10W	2	
R674	ERJ8GEYJ333	M 33KOHM, J,1/8W	1	
R675	ERJ6ENF2202	M 2.2KOHM, 1/10W	1	
R676	ERJ8GEYJ333	M 33KOHM, J,1/8W	1	
R677	ERJ6GEYJ474	M 470KOHM,J,1/10W	1	
R678-80	ERJ8RSJR16V	M 16 OHM, 1/8W	3	
R682	ERJ6ENF2002	M 20KOHM, 1/10W	1	
R683	ERJ14YJ330	M 33 OHM, J,1/4W	1	
R684,85	ERJ6GEYJ102	M 1KOHM,J,1/10W	2	
R686	ERJ6GEYG103	M 10KOHM,J,1/10W	1	
R687	ERJ6GEYG104	M 100KOHM,J,1/10W	1	
R688	ERJ6GEYG102	M 1KOHM,J,1/10W	1	
R689	ERJ8GEYJ472	M 4.7KOHM, J,1/8W	1	
R690	ERJ6GEYJ4R7	M 4.7 OHM,J,1/10W	1	
R691	ERJ6GEYG105	M 1MOHM,J,1/10W	1	
R693	ERJ6GEYJ100V	M 10 OHM,J,1/10W	1	
R695	ERJ6RBD123V	M 12KOHM, 1/10W	1	
R696	ERJ6GEYJ100V	M 10 OHM,J,1/10W	1	
R697	ERJ6GEYJ4R7	M 4.7 OHM,J,1/10W	1	
R698	ERJ8RSJR16V	M 16 OHM, 1/8W	1	
R699	ERJ8GEYJ105	M 1MOHM, J,1/8W	1	

Ref. No.	Part No.	Part Name & Description	Pcs	Remarks
R700,01	ERJ6ENF1503	M 150KOHM, 1/10W	2	
R702	ERJ6ENF1102	M 11KOHM, 1/10W	1	
R707,08	ERJ6GEYG102	M 1KOHM,J,1/10W	2	
R709,10	ERJ6GEYJ101V	M 100 OHM,J,1/10W	2	
R711,12	ERJ6GEYG222	M 2.2KOHM,J,1/10W	2	
R713	ERJ6GEYG152	M 1.5KOHM,J,1/10W	1	
R714	ERJ6GEYG102	M 1KOHM,J,1/10W	1	
R715	ERJ6ENF3301	M 3.3KOHM, 1/10W	1	
R716	ERJ6GEY0R00V	M 0 OHM, 1/10W	1	
R717	ERJ6GEYG122	M 1.2KOHM,J,1/10W	1	
R718	ERJ6GEYG103	M 10KOHM,J,1/10W	1	
R719	ERJ6GEYG102	M 1KOHM,J,1/10W	1	
R720	ERJ6GEYG152	M 1.5KOHM,J,1/10W	1	
R721	ERJ6GEY0R00V	M 0 OHM, 1/10W	1	
R722-24	ERJ6GEYG102	M 1KOHM,J,1/10W	3	
R726,27	ERJ6GEYG222	M 2.2KOHM,J,1/10W	2	
R729	ERJ6GEY0R00V	M 0 OHM, 1/10W	1	
R730-38	ERJ8GEYJ105	M 1MOHM, J,1/8W	9	
R739	ERJ6ENF1003	M 100KOHM, 1/10W	1	
R740	ERJ6GEYJ243	M 24KOHM,J,1/10W	1	
R741	ERJ8GEYJ205	M 2MOHM, J,1/8W	1	
R742	ERJ6GEYG102	M 1KOHM,J,1/10W	1	
R803	ERJ3EKF6802	M 68KOHM, 1/16W	1	
R804	ERJ3GEYJ224	M 220KOHM,J,1/16W	1	
R805	ERJ3EKF8452	M84.5KOHM, 1/16W	1	
R806	ERJ3EKF1052	M10.5KOHM, 1/16W	1	
R808,09	ERJ6GEY0R00V	M 0 OHM, 1/10W	2	
R811	ERJ3EKF6802	M 68KOHM, 1/16W	1	
R812	ERJ3GEYJ683	M 68KOHM,J,1/16W	1	
R813	ERJ3EKF4222	M42.2KOHM, 1/16W	1	
R814	ERJ3EKF1052	M10.5KOHM, 1/16W	1	
R816,17	ERJ6GEY0R00V	M 0 OHM, 1/10W	2	
R819	ERJ3EKF6802	M 68KOHM, 1/16W	1	
R820	ERJ3GEYJ333	M 33KOHM,J,1/16W	1	
R821	ERJ3EKF2432	M24.3KOHM, 1/16W	1	
R822	ERJ3EKF1052	M10.5KOHM, 1/16W	1	
R824	ERJ6GEY0R00V	M 0 OHM, 1/10W	1	
R838	ERJ12YJ330	M 33 OHM,J, 1/2W	1	
R840	ERJ3GEYJ332	M 3.3KOHM,J,1/16W	1	
R842,43	ERJ6GEY0R00V	M 0 OHM, 1/10W	2	
R845-49	ERJ6GEY0R00V	M 0 OHM, 1/10W	5	
R2351-54	D0GB103JA057	M 10KOHM,J,1/16W	4	
R2355-60	ERDS1FJ2R2	C 2.2 OHM, J,1/2W	6	
R2361,62	D0GB103JA057	M 10KOHM,J,1/16W	2	
R2364	ERJ6GEY0R00V	M 0 OHM, 1/10W	1	
R2366	ERJ6GEY0R00V	M 0 OHM, 1/10W	1	
R2367,68	ERJ3GEYJ560	M 56 OHM,J,1/16W	2	
R2383	ERJ3GEYJ472	M 4.7KOHM,J,1/16W	1	
R2384	D0GB473JA057	M 47KOHM,J,1/16W	1	
R2385	ERJ3GEYD153V	M 15KOHM,J,1/16W	1	
R2386	ERJ3GEYJ104	M 100KOHM,J,1/16W	1	
R2387,88	J0JCC0000100	CHIP INDUCTOR	2	
R2389-92	D0GB103JA057	M 10KOHM,J,1/16W	4	
R2393	ERJ3GEYJ220	M 22 OHM,J,1/16W	1	
R2394-96	D0GB103JA057	M 10KOHM,J,1/16W	3	
R2397	ERJ3GEYD512V	M 5.1KOHM,J,1/16W	1	
R2398	J0JCC0000100	CHIP INDUCTOR	1	
R2399,00	ERJ3GEYJ220	M 22 OHM,J,1/16W	2	
R2404-07	D0GB103JA057	M 10KOHM,J,1/16W	4	
R2408-11	ERJ6GEY0R00V	M 0 OHM, 1/10W	4	
R2412	ERJ3GEYJ122	M 1.2KOHM,J,1/16W	1	
R2413	J0JCC0000100	CHIP INDUCTOR	1	
R2414,15	ERJ3GEYJ122	M 1.2KOHM,J,1/16W	2	
R2416	J0JCC0000100	CHIP INDUCTOR	1	

Ref. No.	Part No.	Part Name & Description	Pcs	Remarks
R2417	ERJ3GEYJ122	M 1.2KOHM,J,1/16W	1	
R2418,19	D0GB103JA057	M 10KOHM,J,1/16W	2	
R2420	ERJ3GEYD153V	M 15KOHM,J,1/16W	1	
R2421,22	D0GB393JA041	M 39KOHM,J,1/16W	2	
R2423	ERJ3GEYD153V	M 15KOHM,J,1/16W	1	
R2424,25	J0JCC0000100	CHIP INDUCTOR	2	
R2426	ERJ3GEYJ471	M 470 OHM,J,1/16W	1	
R2516	D0GB152JA057	M 1.5KOHM,J,1/16W	1	
R2517	ERJ6GEYG470V	M 47 OHM,J,1/10W	1	
R2520	ERJ3GEYJ224	M 220KOHM,J,1/16W	1	
R2524	ERJ3GEYJ223	M 22KOHM,J,1/16W	1	
R2525	ERJ3EKF9100	M 910 OHM, 1/16W	1	
R2530	ERJ3GEYJ223	M 22KOHM,J,1/16W	1	
R2531	ERJ3EKF2700	M 270 OHM, 1/16W	1	
R2542	D0GB102JA057	M 1KOHM,J,1/16W	1	
R2556,57	ERJ3GEYJ562	M 5.6KOHM,J,1/16W	2	
R2558	ERJ6GEY0R00V	M 0 OHM, 1/10W	1	
R3001	D0GB103JA057	M 10KOHM,J,1/16W	1	
R3002	D0GB102JA057	M 1KOHM,J,1/16W	1	
R3003	D0GB473JA057	M 47KOHM,J,1/16W	1	
R3004	ERJ3GEYJ101	M 100 OHM,J,1/16W	1	
R3025	ERJ3GEYJ101	M 100 OHM,J,1/16W	1	
R3026-29	D0GB103JA057	M 10KOHM,J,1/16W	4	
R3030,31	J0JCC0000100	CHIP INDUCTOR	2	
R3032,33	ERJ3GEYJ101	M 100 OHM,J,1/16W	2	
R3034-36	ERJ3GEYJ331	M 330 OHM,J,1/16W	3	
R3037,38	J0JCC0000100	CHIP INDUCTOR	2	
R3039-41	ERJ3GEYJ331	M 330 OHM,J,1/16W	3	
R3042	J0JCC0000100	CHIP INDUCTOR	1	
R3043	ERJ3GEYJ101	M 100 OHM,J,1/16W	1	
R3044-47	D0GB103JA057	M 10KOHM,J,1/16W	4	
R3048	D0GB334JA007	M 330KOHM,J,1/16W	1	
R3049	D0GB103JA057	M 10KOHM,J,1/16W	1	
R3050	ERJ3GEYJ560	M 56 OHM,J,1/16W	1	
R3051	ERJ3GEYJ330	M 33 OHM,J,1/16W	1	
R3053,54	ERJ3GEYJ560	M 56 OHM,J,1/16W	2	
R3057,58	ERJ3GEYJ560	M 56 OHM,J,1/16W	2	
R3059	ERJ3GEYJ101	M 100 OHM,J,1/16W	1	
R3060,61	J0JCC0000100	CHIP INDUCTOR	2	
R3062,63	ERJ3GEYJ101	M 100 OHM,J,1/16W	2	
R3064-69	ERJ3GEYJ560	M 56 OHM,J,1/16W	6	
R3070-75	ERJ6RED750	M 75 OHM, 1/10W	6	
R3076-81	ERJ3GEYJ560	M 56 OHM,J,1/16W	6	
R3082	ERJ3GEYJ101	M 100 OHM,J,1/16W	1	
R3083-87	J0JCC0000100	CHIP INDUCTOR	5	
R3088-93	ERJ6RED750	M 75 OHM, 1/10W	6	
R3094	J0JCC0000100	CHIP INDUCTOR	1	
R3095,96	ERJ3GEYJ562	M 5.6KOHM,J,1/16W	2	
R3101-06	ERJ6ENF1800	M 180 OHM, 1/10W	6	
R3107,08	ERJ3GEYJ560	M 56 OHM,J,1/16W	2	
R3110	ERJ6ENF4701	M 4.7KOHM, 1/10W	1	
R3111	ERJ6ENF1501	M 1.5KOHM, 1/10W	1	
R3115	ERJ6GEY0R00V	M 0 OHM, 1/10W	1	
R3117	J0JCC0000100	CHIP INDUCTOR	1	

Ref. No.	Part No.	Part Name & Description	Pcs	Remarks
R3118	ERJ6ENF8200	M 820 OHM, 1/10W	1	
R3125	D0GB103JA057	M 10KOHM, J, 1/16W	1	
R3126	J0JCC0000100	CHIP INDUCTOR	1	
R3134	ERJ3GEYJ104	M 100KOHM, J, 1/16W	1	
R3140, 41	D0GB473JA057	M 47KOHM, J, 1/16W	2	
R3143, 44	ERJ3GEYJ101	M 100 OHM, J, 1/16W	2	
R3150, 51	ERJ3GEYJ101	M 100 OHM, J, 1/16W	2	
R3160, 61	J0JCC0000100	CHIP INDUCTOR	2	
R3163	D0GB102JA057	M 1KOHM, J, 1/16W	1	
R3188-90	ERJ6RED750	M 75 OHM, 1/10W	3	
R3195, 96	D0GB103JA057	M 10KOHM, J, 1/16W	2	
R3197, 98	D0GB123JA057	M 12KOHM, J, 1/16W	2	
R3199	D0GB103JA057	M 10KOHM, J, 1/16W	1	
R3210, 11	ERJ3GEYJ101	M 100 OHM, J, 1/16W	2	
R3212-15	ERJ3GEYJ472	M 4.7KOHM, J, 1/16W	4	
R3216-19	ERJ6GEYJ3R3	M 3.3KOHM, J, 1/10W	4	
R3230, 31	ERJ3GEYJ101	M 100 OHM, J, 1/16W	2	
R3400	ERJ6GEYJ103	M 10KOHM, J, 1/10W	1	
R3508, 09	ERJ6GEYF472	M 4.7KOHM, J, 1/10W	2	
R3510, 11	ERJ6GEYJ101V	M 100 OHM, J, 1/10W	2	
R3529, 30	ERJ6GEYJ184	M 180KOHM, J, 1/10W	2	
R3547, 48	ERJ6GEYJ101V	M 100 OHM, J, 1/10W	2	
R3585, 86	ERJ6ENF56R0	M 56 OHM, J, 1/10W	2	
R3589	ERJ6GEYF473	M 47KOHM, J, 1/10W	1	
R3590	ERJ6ENF56R0	M 56 OHM, J, 1/10W	1	
R3591-93	ERJ6GEY0R00V	M 0 OHM, 1/10W	3	
R3653	ERJ6GEYF333	M 33KOHM, J, 1/10W	1	
R3654	ERJ6GEYF683	M 68KOHM, J, 1/10W	1	
R3655	ERJ6GEYF333	M 33KOHM, J, 1/10W	1	
R3656	ERJ6GEYF683	M 68KOHM, J, 1/10W	1	
R3663, 64	ERJ6GEYJ102	M 1KOHM, J, 1/10W	2	
R3668	ERJ6GEYJ101V	M 100 OHM, J, 1/10W	1	
R3672	ERJ6GEYJ101V	M 100 OHM, J, 1/10W	1	
R3751	ERJ6GEYF822	M 8.2KOHM, F, 1/10W	1	
R3752	ERJ6GEYF222	M 2.2KOHM, F, 1/10W	1	
R3753	ERJ6GEYF302	M 3.0KOHM, F, 1/10W	1	
R3754	ERJ6GEY0R00V	M 0 OHM, 1/10W	1	
R3756	ERJ6GEY0R00V	M 0 OHM, 1/10W	1	
R3758	ERJ6GEYF472	M 4.7KOHM, F, 1/10W	1	
R3759-64	ERJ6GEY0R00V	M 0 OHM, 1/10W	6	
R3766, 67	ERJ6GEY0R00V	M 0 OHM, 1/10W	2	
R3776, 77	ERJ6GEYJ101V	M 100 OHM, J, 1/10W	2	
R3778	ERJ6GEYF473	M 47KOHM, J, 1/10W	1	
R3790, 91	ERJ6GEYJ101V	M 100 OHM, J, 1/10W	2	
R4001-03	D1HG1008A002	NETWORK RESISTER	3	
R4004	ERJ6GEY0R00V	M 0 OHM, 1/10W	1	
R4005	ERJ3GEYJ272	M 2.7KOHM, J, 1/16W	1	
R4006	ERJ3EKF6801	M 6.8KOHM, 1/16W	1	
R4007	ERJ6RED750	M 75 OHM, 1/10W	1	
R4008	J0JCC0000100	CHIP INDUCTOR	1	
R4009	ERJ6RED750	M 75 OHM, 1/10W	1	
R4010	J0JCC0000100	CHIP INDUCTOR	1	
R4011	ERJ6RED750	M 75 OHM, 1/10W	1	
R4012-14	J0JCC0000100	CHIP INDUCTOR	3	

Ref. No.	Part No.	Part Name & Description	Pcs	Remarks
R4016-18	J0JCC0000100	CHIP INDUCTOR	3	
R4019	ERJ3GEYJ100	M 10 OHM, J, 1/16W	1	
R4020	ERJ6GEY0R00V	M 0 OHM, 1/10W	1	
R4021	J0JCC0000100	CHIP INDUCTOR	1	
R4023	ERJ6GEY0R00V	M 0 OHM, 1/10W	1	
R4024	J0JCC0000100	CHIP INDUCTOR	1	
R4027	ERJ6GEY0R00V	M 0 OHM, 1/10W	1	
R4035-38	ERJ3GEYJ101	M 100 OHM, J, 1/16W	4	
R4041, 42	J0JCC0000100	CHIP INDUCTOR	2	
R4139	D0GB102JA057	M 1KOHM, J, 1/16W	1	
R4142	ERJ3GEYJ472	M 4.7KOHM, J, 1/16W	1	
R4144	ERJ3GEYJ472	M 4.7KOHM, J, 1/16W	1	
R4148	ERJ3GEYJ472	M 4.7KOHM, J, 1/16W	1	
R4171	ERJ3GEYJ470	M 47 OHM, J, 1/16W	1	
R4201	ERJ6GEY0R00V	M 0 OHM, 1/10W	1	
R4211-20	ERJ3GEYJ101	M 100 OHM, J, 1/16W	10	
R4221, 22	ERJ3GEYJ470	M 47 OHM, J, 1/16W	2	
R4242, 43	J0JCC0000100	CHIP INDUCTOR	2	
R4244	ERJ3GEYJ220	M 22 OHM, J, 1/16W	1	
R4245	D0GB102JA057	M 1KOHM, J, 1/16W	1	
R4250-52	J0JCC0000100	CHIP INDUCTOR	3	
R4260, 61	J0JCC0000100	CHIP INDUCTOR	2	
R4271-73	D1HG8208A002	NETWORK RESISTER	3	
R4274, 75	ERJ3GEYJ470	M 47 OHM, J, 1/16W	2	
R4276	ERJ3GEYJ220	M 22 OHM, J, 1/16W	1	
R4277-79	D1HG1218A002	NETWORK RESISTER	3	
R4280, 81	ERJ3GEYJ470	M 47 OHM, J, 1/16W	2	
R4282	ERJ3GEYJ220	M 22 OHM, J, 1/16W	1	
R4312, 13	J0JCC0000100	CHIP INDUCTOR	2	
R4314	D0GB103JA057	M 10KOHM, J, 1/16W	1	
R4316	D0GB103JA057	M 10KOHM, J, 1/16W	1	
R4318, 19	ERJ3GEYJ223	M 22KOHM, J, 1/16W	2	
R4321	ERJ3GEYJ223	M 22KOHM, J, 1/16W	1	
R4324	D0GB103JA057	M 10KOHM, J, 1/16W	1	
R4325-27	EXB38VR000V	RESISTOR ARRAY	3	
R4502	J0JCC0000100	CHIP INDUCTOR	1	
R4503	D0GB103JA057	M 10KOHM, J, 1/16W	1	
R4505	D0GB103JA057	M 10KOHM, J, 1/16W	1	
R4507	D0GB103JA057	M 10KOHM, J, 1/16W	1	
R4509, 10	ERJ3GEYJ470	M 47 OHM, J, 1/16W	2	
R4513	ERJ3GEYJ220	M 22 OHM, J, 1/16W	1	
R4514-16	ERJ3GEYJ470	M 47 OHM, J, 1/16W	3	
R4518	J0JCC0000100	CHIP INDUCTOR	1	
R4522	J0JCC0000100	CHIP INDUCTOR	1	
R4526	J0JCC0000100	CHIP INDUCTOR	1	
R4529	J0JCC0000100	CHIP INDUCTOR	1	
R4531	J0JCC0000100	CHIP INDUCTOR	1	
R4533	ERJ3GEYJ101	M 100 OHM, J, 1/16W	1	
R4536, 37	J0JCC0000100	CHIP INDUCTOR	2	
R4539	J0JCC0000100	CHIP INDUCTOR	1	
R4544	J0JCC0000100	CHIP INDUCTOR	1	
R4546	J0JCC0000100	CHIP INDUCTOR	1	
R4554	ERJ3GEYJ472	M 4.7KOHM, J, 1/16W	1	
R4559, 60	D0GB102JA057	M 1KOHM, J, 1/16W	2	
R4564-67	J0JCC0000100	CHIP INDUCTOR	4	
R4568, 69	D1HG1038A002	NETWORK RESISTER	2	

Ref. No.	Part No.	Part Name & Description	Pcs	Remarks
R4573	D0GB103JA057	M 10KOHM,J,1/16W	1	
R4574	D1HG1218A002	NETWORK RESISTER	1	
R4575	ERJ3GEYJ121	M 120 OHM,J,1/16W	2	
R4577	D1HG1218A002	NETWORK RESISTER	1	
R4578	ERJ6ENF1001	M 1KOHM, 1/10W	2	
R4580	ERJ6ENF1101	M 1.1KOHM, 1/10W	1	
R4581	ERJ6ENF3161	M3.16KOHM, 1/10W	1	
R4582	ERJ3GEYJ121	M 120 OHM,J,1/16W	2	
R4584	D1HG1218A002	NETWORK RESISTER	1	
R4585	ERJ3GEYJ121	M 120 OHM,J,1/16W	2	
R4587-89	D1HG33080001	NETWORK RESISTER	3	
R4590	ERJ3GEYJ680	M 68 OHM,J,1/16W	2	
R4595	ERJ3GEYJ680	M 68 OHM,J,1/16W	1	
R4596	D0GB103JA057	M 10KOHM,J,1/16W	1	
R4618-21	D1HG33080001	NETWORK RESISTER	4	
R4622	J0JCC0000100	CHIP INDUCTOR	1	
R4626	J0JCC0000100	CHIP INDUCTOR	2	
R4631	J0JCC0000100	CHIP INDUCTOR	1	
R4640	ERJ3GEYJ121	M 120 OHM,J,1/16W	1	
R4657	ERJ6ENF1001	M 1KOHM, 1/10W	2	
R4691	ERJ3GEYJ472	M 4.7KOHM,J,1/16W	1	
R4701	EXB38V103JV	RESISTOR ARRAY	1	
R4702	ERJ3GEYJ272	M 2.7KOHM,J,1/16W	1	
R4703	ERJ3GEYJ101	M 100 OHM,J,1/16W	1	
R4704	ERJ3GEYJ272	M 2.7KOHM,J,1/16W	1	
R4706	ERJ3GEYJ332	M 3.3KOHM,J,1/16W	1	
R4707	ERJ3GEYJ101	M 100 OHM,J,1/16W	1	
R4708	D0GB103JA057	M 10KOHM,J,1/16W	1	
R4709	ERJ3GEYJ101	M 100 OHM,J,1/16W	1	
R4710	D0GB103JA057	M 10KOHM,J,1/16W	2	
R4712	D1HG1008A002	NETWORK RESISTER	2	
R4715	ERJ3GEYJ101	M 100 OHM,J,1/16W	1	
R4716	D0GB103JA057	M 10KOHM,J,1/16W	1	
R4717	ERJ3GEYJ101	M 100 OHM,J,1/16W	1	
R4718	D0GB103JA057	M 10KOHM,J,1/16W	2	
R4722	ERJ3GEYJ272	M 2.7KOHM,J,1/16W	1	
R4723	ERJ3GEYJ101	M 100 OHM,J,1/16W	1	
R4724	D0GB103JA057	M 10KOHM,J,1/16W	1	
R4727	D0GB103JA057	M 10KOHM,J,1/16W	2	
R4729	ERJ3GEYJ101	M 100 OHM,J,1/16W	2	
R4732	ERJ3GEYJ101	M 100 OHM,J,1/16W	1	
R4734	D0GB103JA057	M 10KOHM,J,1/16W	1	
R4735	ERJ3GEYJ101	M 100 OHM,J,1/16W	1	
R4737	D0GB103JA057	M 10KOHM,J,1/16W	1	
R4738	ERJ3GEYJ101	M 100 OHM,J,1/16W	1	
R4740	D1HG1008A002	NETWORK RESISTER	2	
R4742	ERJ3GEYJ220	M 22 OHM,J,1/16W	2	
R4744	ERJ3GEYJ101	M 100 OHM,J,1/16W	1	
R4745	J0JCC0000100	CHIP INDUCTOR	1	
R4746	D0GB103JA057	M 10KOHM,J,1/16W	1	
R4747	EXB38VR000V	RESISTOR ARRAY	1	
R4748-52	J0JCC0000100	CHIP INDUCTOR	5	
R4753	ERJ3GEYJ220	M 22 OHM,J,1/16W	1	
R4754	ERJ3GEYJ562	M 5.6KOHM,J,1/16W	1	
R4755	ERJ3GEYJ220	M 22 OHM,J,1/16W	1	
R4756	ERJ3GEYJ562	M 5.6KOHM,J,1/16W	1	
R4757	ERJ3GEYJ220	M 22 OHM,J,1/16W	1	
R4758	ERJ3GEYJ272	M 2.7KOHM,J,1/16W	1	
R4759	ERJ3GEYJ220	M 22 OHM,J,1/16W	1	

Ref. No.	Part No.	Part Name & Description	Pcs	Remarks
R4760	ERJ3GEYJ272	M 2.7KOHM,J,1/16W	1	
R4761	ERJ3GEYJ101	M 100 OHM,J,1/16W	1	
R4762	J0JCC0000100	CHIP INDUCTOR	1	
R4763	ERJ3GEYJ101	M 100 OHM,J,1/16W	1	
R4764	ERJ3GEYJ470	M 47 OHM,J,1/16W	2	
R4766	EXB2HV470JV	RESISTOR ARRAY	2	
R4768	ERJ3GEYJ470	M 47 OHM,J,1/16W	1	
R4769	ERJ3GEYJ272	M 2.7KOHM,J,1/16W	1	
R4770	ERJ3GEYJ470	M 47 OHM,J,1/16W	1	
R4771	ERJ3GEYJ272	M 2.7KOHM,J,1/16W	1	
R4772	ERJ3GEYJ101	M 100 OHM,J,1/16W	1	
R4773	J0JCC0000100	CHIP INDUCTOR	1	
R4774	D0GB102JA057	M 1KOHM,J,1/16W	1	
R4775	D0GB103JA057	M 10KOHM,J,1/16W	1	
R4777	D0GB393JA041	M 39KOHM,J,1/16W	1	
R4779	D0GB103JA057	M 10KOHM,J,1/16W	1	
R4780	ERJ3GEYJ101	M 100 OHM,J,1/16W	2	
R4783	D0GB103JA057	M 10KOHM,J,1/16W	1	
R4786	EXB38V103JV	RESISTOR ARRAY	1	
R4788	ERJ3GEYJ101	M 100 OHM,J,1/16W	1	
R4790	ERJ3GEYJ101	M 100 OHM,J,1/16W	2	
R4792	D0GB102JA057	M 1KOHM,J,1/16W	1	
R4793	D0GB123JA057	M 12KOHM,J,1/16W	1	
R4795	D0GB103JA057	M 10KOHM,J,1/16W	1	
R4796	D0GB182JA057	M 1.8KOHM,J,1/16W	1	
R4804	ERJ3GEYJ332	M 3.3KOHM,J,1/16W	1	
R4806	ERJ3GEYJ101	M 100 OHM,J,1/16W	1	
R4807	D0GB103JA057	M 10KOHM,J,1/16W	1	
R4808	ERJ3GEYJ332	M 3.3KOHM,J,1/16W	1	
R4812	D0GB103JA057	M 10KOHM,J,1/16W	2	
R4814	ERJ3GEYJ101	M 100 OHM,J,1/16W	1	
R4815	D0GB103JA057	M 10KOHM,J,1/16W	1	
R4817	J0JCC0000100	CHIP INDUCTOR	1	
R4819	ERJ3GEYJ101	M 100 OHM,J,1/16W	1	
R4820	D0GB103JA057	M 10KOHM,J,1/16W	1	
R4821	D0GB102JA057	M 1KOHM,J,1/16W	1	
R4822	D0GB103JA057	M 10KOHM,J,1/16W	2	
R4824	ERJ3GEYJ104	M 100KOHM,J,1/16W	1	
R4825	D0GB103JA057	M 10KOHM,J,1/16W	1	
R4826	ERJ3GEYJ104	M 100KOHM,J,1/16W	1	
R4828	ERJ3GEYJ101	M 100 OHM,J,1/16W	1	
R4829	D0GB102JA057	M 1KOHM,J,1/16W	1	
R4830	D0GB103JA057	M 10KOHM,J,1/16W	1	
R4832	D0GB103JA057	M 10KOHM,J,1/16W	1	
R4833	D0GB473JA057	M 47KOHM,J,1/16W	1	
R4834	D0GB103JA057	M 10KOHM,J,1/16W	1	
R4835	D0GB102JA057	M 1KOHM,J,1/16W	1	
R4836	D0GB473JA057	M 47KOHM,J,1/16W	1	
R4837	D0GB103JA057	M 10KOHM,J,1/16W	1	
R4838	D0GB102JA057	M 1KOHM,J,1/16W	1	
R4839	D0GB473JA057	M 47KOHM,J,1/16W	1	
R4840	D0GB103JA057	M 10KOHM,J,1/16W	1	
R4841	ERJ3GEYJ562	M 5.6KOHM,J,1/16W	2	
R4843	ERJ3GEYJ331	M 330 OHM,J,1/16W	1	
R4844	D0GB102JA057	M 1KOHM,J,1/16W	1	
R4845	ERJ3GEYJ392	M 3.9KOHM,J,1/16W	1	
R4846	ERJ3GEYJ682	M 6.8KOHM,J,1/16W	1	
R4847	D0GB102JA057	M 1KOHM,J,1/16W	2	
R4849	D0GB123JA057	M 12KOHM,J,1/16W	1	
R4850	D0GB102JA057	M 1KOHM,J,1/16W	1	
R4851-53	D0GB103JA057	M 10KOHM,J,1/16W	3	
R4855	J0JCC0000100	CHIP INDUCTOR	1	
R4856	ERJ3GEYJ562	M 5.6KOHM,J,1/16W	1	
R4857	D0GB103JA057	M 10KOHM,J,1/16W	1	
R4858	ERJ3GEYJ101	M 100 OHM,J,1/16W	1	

Ref. No.	Part No.	Part Name & Description	Pcs	Remarks
R4859,60	D0GB103JA057	M 10KOHM,J,1/16W	2	
R4863	J0JCC0000100	CHIP INDUCTOR	1	
R4864	ERJ3GEYJ562	M 5.6KOHM,J,1/16W	1	
R4865,66	D0GB103JA057	M 10KOHM,J,1/16W	2	
R4868	ERJ3GEYJ682	M 6.8KOHM,J,1/16W	1	
R4869	ERJ3GEYJ101	M 100 OHM,J,1/16W	1	
R4870	D0GB103JA057	M 10KOHM,J,1/16W	1	
R4872	D0GB102JA057	M 1KOHM,J,1/16W	1	
R4873,74	ERJ3GEYJ223	M 22KOHM,J,1/16W	2	
R4876	D0GB103JA057	M 10KOHM,J,1/16W	1	
R4877	D0GB102JA057	M 1KOHM,J,1/16W	1	
R4879	ERJ3GEYJ101	M 100 OHM,J,1/16W	1	
R4881	ERJ3GEYJ562	M 5.6KOHM,J,1/16W	1	
R4882	D0GB103JA057	M 10KOHM,J,1/16W	1	
R4883	ERJ3GEYJ101	M 100 OHM,J,1/16W	1	
R4884,85	ERJ3GEYJ220	M 22 OHM,J,1/16W	2	
R4886	ERJ3GEYJ101	M 100 OHM,J,1/16W	1	
R4887	D0GB103JA057	M 10KOHM,J,1/16W	1	
R4888	ERJ3GEYJ101	M 100 OHM,J,1/16W	1	
R4889	D0GB103JA057	M 10KOHM,J,1/16W	1	
R4891	J0JCC0000100	CHIP INDUCTOR	1	
R4892	ERJ3GEYJ101	M 100 OHM,J,1/16W	1	
R4893	J0JCC0000100	CHIP INDUCTOR	1	
R4894,95	ERJ3GEYJ101	M 100 OHM,J,1/16W	2	
R4900	J0JCC0000100	CHIP INDUCTOR	1	
R4902	J0JCC0000100	CHIP INDUCTOR	1	
R4903	ERJ3GEYJ101	M 100 OHM,J,1/16W	1	
R4904	D0GB103JA057	M 10KOHM,J,1/16W	1	
R4905	J0JCC0000100	CHIP INDUCTOR	1	
R4906	ERJ3GEYJ101	M 100 OHM,J,1/16W	1	
R4907	J0JCC0000100	CHIP INDUCTOR	1	
R4908	ERJ3GEYJ562	M 5.6KOHM,J,1/16W	1	
R4911-21	ERJ3GEYJ101	M 100 OHM,J,1/16W	11	
R4922	J0JCC0000100	CHIP INDUCTOR	1	
R4925	J0JCC0000100	CHIP INDUCTOR	1	
R4927	J0JCC0000100	CHIP INDUCTOR	1	
R4941	D0GB103JA057	M 10KOHM,J,1/16W	1	
R4942,43	ERJ3GEYJ220	M 22 OHM,J,1/16W	2	
R4945	J0JCC0000100	CHIP INDUCTOR	1	
R4947	D0GB103JA057	M 10KOHM,J,1/16W	1	
R4951	ERJ3GEYF473	M 47KOHM, 1/16W	1	
R4952	ERJ3EKF1272	M12.7KOHM, 1/16W	1	
R4953	ERJ3EKF5602	M 56KOHM, 1/16W	1	
R4954	ERJ3EKF1102	M 11KOHM, 1/16W	1	
R4955	ERJ3EKF5602	M 56KOHM, 1/16W	1	
R4956	ERJ3EKF1102	M 11KOHM, 1/16W	1	
R4957	ERJ3EKF2052	M20.5KOHM, 1/16W	1	
R4958	ERJ3EKF1822	M18.2KOHM, 1/16W	1	
R4960	ERJ3GEYJ104	M 100KOHM,J,1/16W	1	
R4962,63	ERJ6GEY0R00V	M 0 OHM, 1/10W	2	
R4964	J0JCC0000100	CHIP INDUCTOR	1	
R4972	J0JCC0000100	CHIP INDUCTOR	1	
R4974	J0JCC0000100	CHIP INDUCTOR	1	
R4980	J0JCC0000100	CHIP INDUCTOR	1	
R4986	D0GB183JA057	M 18KOHM,J,1/16W	1	
R4991,92	D0GB103JA057	M 10KOHM,J,1/16W	2	
R4994,95	D0GB103JA057	M 10KOHM,J,1/16W	2	
R6001	D0GF7R5JA047	M 7.5 OHM,J, 0.33W	1	
R6003	D0GF7R5JA047	M 7.5 OHM,J, 0.33W	1	
R6005	D0GF7R5JA047	M 7.5 OHM,J, 0.33W	1	
R6020	ERF5TJ330	W 33 OHM, 5W	1	
R6021	D0GF7R5JA047	M 7.5 OHM,J, 0.33W	1	
R6024	D0GF7R5JA047	M 7.5 OHM,J, 0.33W	1	
R6026	D0GF7R5JA047	M 7.5 OHM,J, 0.33W	1	

Ref. No.	Part No.	Part Name & Description	Pcs	Remarks
R6031,32	ERJ6ENF8202	M 82KOHM, 1/10W	2	
R6033	ERJ6ENF5602	M 56KOHM, 1/10W	1	
R6034	ERJ6ENF2702	M 27KOHM, 1/10W	1	
R6041	D0GF5R6JA047	M 5.6 OHM,J, 0.33W	1	
R6043	D0GF5R6JA047	M 5.6 OHM,J, 0.33W	1	
R6053	D0GF5R6JA047	M 5.6 OHM,J, 0.33W	1	
R6080	ERJ6GEY0R00V	M 0 OHM, 1/10W	1	
R6082	ERJ6GEY0R00V	M 0 OHM, 1/10W	1	
R6084	ERJ6GEY0R00V	M 0 OHM, 1/10W	1	
R6086	ERJ6GEY0R00V	M 0 OHM, 1/10W	1	
R6088-91	ERJ6GEY0R00V	M 0 OHM, 1/10W	4	
R6102	D0GD221JA059	M 220 OHM,J,1/10W	1	
R6108	D0GD221JA059	M 220 OHM,J,1/10W	1	
R6109	D0GD100JA059	M 10 OHM,J,0.25W	1	
R6110	ERJ6GEYF473	M 47KOHM,J,1/10W	1	
R6111	D0GD470JA059	M 47 OHM,J,0.25W	1	
R6113	ERJ14YJ224	M 220KOHM, J,1/4W	1	
R6114	D0GD470JA059	M 47 OHM,J,0.25W	1	
R6116	ERJ6GEYF473	M 47KOHM,J,1/10W	1	
R6131,32	ERJ6GEYJ101V	M 100 OHM,J,1/10W	2	
R6134	D0GD750JA059	M 75 OHM,J,0.25W	1	
R6135,36	D0GD100JA059	M 10 OHM,J,0.25W	2	
R6141,42	ERJ6GEYF473	M 47KOHM,J,1/10W	2	
R6145	D0GF1R0JA047	M 1.0 OHM,J,0.33W	1	
R6146,47	ERJ6GEYF473	M 47KOHM,J,1/10W	2	
R6151,52	ERJ6GEYJ101V	M 100 OHM,J,1/10W	2	
R6154	D0GD750JA059	M 75 OHM,J,0.25W	1	
R6157-60	D0GF1R0JA047	M 1.0 OHM,J,0.33W	4	
R6171	D0GD100JA059	M 10 OHM,J,0.25W	1	
R6172,73	ERJ6GEYF473	M 47KOHM,J,1/10W	2	
R6181	D0GD100JA059	M 10 OHM,J,0.25W	1	
R6182,83	ERJ6GEYF473	M 47KOHM,J,1/10W	2	
R6191,92	ERJ6GEYJ101V	M 100 OHM,J,1/10W	2	
R6193	D0GD750JA059	M 75 OHM,J,0.25W	1	
R6194	D0GF1R0JA047	M 1.0 OHM,J,0.33W	1	
R6210	ERJ6GEYG222	M 2.2KOHM,J,1/10W	1	
R6213	ERJ6GEYJ101V	M 100 OHM,J,1/10W	1	
R6214	D0GD151JA059	M 150 OHM,J,0.25W	1	
R6220	ERJ6GEYG470V	M 47 OHM,J,1/10W	1	
R6221	ERJ6GEYF472	M 4.7KOHM,J,1/10W	1	
R6222	ERG1FJS103D	M 10KOHM, J, 1W	1	
R6223	ERG2FJS123D	M 12KOHM, J, 2W	1	
R6225	D0GD203JA059	M 20KOHM,J,1/10W	1	
R6226,27	ERJ6GEYJ163V	M 16KOHM,J,1/10W	2	
R6228	ERJ6GEYG562	M 5.6KOHM,J,1/10W	1	
R6229	ERJ6GEYJ163V	M 16KOHM,J,1/10W	1	
R6230	ERJ6GEYG470V	M 47 OHM,J,1/10W	1	
R6231	ERJ6GEYF472	M 4.7KOHM,J,1/10W	1	
R6232	ERJ6ENF1201	M 1.2KOHM, 1/10W	1	
R6241	EXB38V470J	RESISTOR ARRAY	1	
R6242	EXB38V472JV	RESISTOR ARRAY	1	
R6246	ERJ6GEYJ273	M 27KOHM,J,1/10W	1	
R6247	D0GF154JA047	M 150 KOHM,J,0.33W	1	
R6248	ERJ6GEYJ273	M 27KOHM,J,1/10W	1	
R6249	D0GF154JA047	M 150 KOHM,J,0.33W	1	
R6252,53	ERJ6ENF3902	M 39KOHM, 1/10W	2	
R6254	ERJ6ENF8201	M 8.2KOHM, 1/10W	1	
R6255	ERJ6ENF1201	M 1.2KOHM, 1/10W	1	
R6256	ERJ6ENF1501	M 1.5KOHM, 1/10W	1	
R6257	ERJ6GEYG103	M 10KOHM,J,1/10W	1	
R6258	ERJ6GEYG222	M 2.2KOHM,J,1/10W	1	
R6261	ERJ6GEYG104	M 100KOHM,J,1/10W	1	
R6269	ERJ6GEYJ273	M 27KOHM,J,1/10W	1	

Ref. No.	Part No.	Part Name & Description	Pcs	Remarks
R6270	D0GF154JA047	M 150 KOHM,J,0.33W	1	
R6272	ERJ6GEYG222	M 2.2KOHM,J,1/10W	1	
R6273	ERJ6GEYG103	M 10KOHM,J,1/10W	1	
R6274	ERJ6GEYG221	M 220 OHM,J,1/10W	1	
R6276	ERJ6GEYG823	M 82KOHM,J,1/10W	1	
R6278	ERJ6GEYJ273	M 27KOHM,J,1/10W	1	
R6279	D0GF154JA047	M 150 KOHM,J,0.33W	1	
R6284	ERJ6GEYG102	M 1KOHM,J,1/10W	1	
R6292	ERJ6GEYF473	M 47KOHM,J,1/10W	1	
R6401-03	D0GF7R5JA047	M 7.5 OHM,J, 0.33W	3	
R6421-23	D0GF5R6JA047	M 5.6 OHM,J, 0.33W	3	
R6441,42	D0GF5R6JA047	M 5.6 OHM,J, 0.33W	2	
R6451	D0GF5R6JA047	M 5.6 OHM,J, 0.33W	1	
R6465	ERJ6ENF2702	M 27KOHM, 1/10W	1	
R6466	ERJ6ENF5602	M 56KOHM, 1/10W	1	
R6467,68	ERJ6ENF8202	M 82KOHM, 1/10W	2	
R6471	ERJ6GEYG392	M 3.9KOHM,J,1/10W	1	
R6472	ERJ6GEYG222	M 2.2KOHM,J,1/10W	1	
R6473	ERJ6GEYF561	M 560 OHM,J,1/10W	1	
R6474	ERJ6GEYG102	M 1KOHM,J,1/10W	1	
R6475,76	ERJ6GEYF472	M 4.7KOHM,J,1/10W	2	
R6477	ERJ6GEYJ101V	M 100 OHM,J,1/10W	1	
R6501,02	ERJ6GEYJ101V	M 100 OHM,J,1/10W	2	
R6503	D0GD100JA059	M 10 OHM,J,0.25W	1	
R6504	D0GD750JA059	M 75 OHM,J,0.25W	1	
R6506	D0GD100JA059	M 10 OHM,J,0.25W	1	
R6507-10	D0GF1R0JA047	M 1.0 OHM,J,0.33W	4	
R6511,12	ERJ6GEYF473	M 47KOHM,J,1/10W	2	
R6516,17	ERJ6GEYF473	M 47KOHM,J,1/10W	2	
R6521,22	ERJ6GEYJ101V	M 100 OHM,J,1/10W	2	
R6523	D0GD750JA059	M 75 OHM,J,0.25W	1	
R6531	D0GD100JA059	M 10 OHM,J,0.25W	1	
R6532,33	ERJ6GEYF473	M 47KOHM,J,1/10W	2	
R6551	D0GD100JA059	M 10 OHM,J,0.25W	1	
R6552,53	ERJ6GEYF473	M 47KOHM,J,1/10W	2	
R6561-64	EXB38V470J	RESISTOR ARRAY	4	
R6565-68	EXB38V472JV	RESISTOR ARRAY	4	
R6580	ERJ6GEYG222	M 2.2KOHM,J,1/10W	1	
R6582,83	ERJ6ENF3902	M 39KOHM, 1/10W	2	
R6584	ERJ6ENF8201	M 8.2KOHM, 1/10W	1	
R6585	ERJ6ENF1801	M 1.8KOHM, 1/10W	1	
R6586	ERJ6ENF1201	M 1.2KOHM, 1/10W	1	
R6587	ERJ6GEYG222	M 2.2KOHM,J,1/10W	1	
R6588	ERJ6GEYG103	M 10KOHM,J,1/10W	1	
R6590	ERJ6GEYG221	M 220 OHM,J,1/10W	1	
R6591	EXB38V472JV	RESISTOR ARRAY	1	
R6592	ERJ6GEYF472	M 4.7KOHM,J,1/10W	1	
R6605	ERJ6GEYG182	M 1.8KOHM,J,1/10W	1	
R6607	D1BD6811A027	M 6.81KOHM, 1/10W	1	
R6608,09	D0GF102JA047	M 1.0 KOHM,J,0.33W	2	
R6610	ERJ6GEYG104	M 100KOHM,J,1/10W	1	
R6612	D0GD470JA059	M 47 OHM,J,0.25W	1	
R6621,22	ERJ6GEYG221	M 220 OHM,J,1/10W	2	
R6623	ERG2FJS333D	M 33KOHM, J, 2W	1	
R6638,39	D0GF1R0JA047	M 1.0 OHM,J,0.33W	2	
R6642-44	D0GD330JA059	M 33 OHM,J,1/10W	3	
R6646-48	D0GD330JA059	M 33 OHM,J,1/10W	3	

Ref. No.	Part No.	Part Name & Description	Pcs	Remarks
R6658	D0D1101JA009	M 100 OHM,J,1W	1	
R6659,60	ERJ6GEYJ224	M 220KOHM,J,1/10W	2	
R6661	ERJ6GEYG104	M 100KOHM,J,1/10W	1	
R6662	ERJ6ENF2201	M 2.2KOHM, 1/10W	1	
R6663	ERJ6GEYG103	M 10KOHM,J,1/10W	1	
R6664	D0GF222JA047	M 2.2KOHM,J,0.33W	1	
R6665	D0GD470JA059	M 47 OHM,J,0.25W	1	
R6666	ERJ6GEYG104	M 100KOHM,J,1/10W	1	
R6667,68	ERJ6GEYF472	M 4.7KOHM,J,1/10W	2	
R6671	D0GD470JA059	M 47 OHM,J,0.25W	1	
R6672	ERJ6GEYF473	M 47KOHM,J,1/10W	1	
R6673,74	D0GD470JA059	M 47 OHM,J,0.25W	2	
R6680,81	D0GD100JA059	M 10 OHM,J,0.25W	2	
R6692	D0GZ472JA020	M 4.7KOHM,J, 0.5W	1	
R6693	ERJ6GEYG823	M 82KOHM,J,1/10W	1	
R6694	ERJ6GEYJ273	M 27KOHM,J,1/10W	1	
R6695	ERJ8GEYJ124	M 120KOHM, J,1/8W	1	
R6696	ERF5TK2R2	W 2.2 OHM, K, 5W	1	
R6700-04	ERJ6GEYJ471	M 470 OHM,J,1/10W	5	
R6705,06	ERJ6GEYJ101V	M 100 OHM,J,1/10W	2	
R6707,08	ERJ6GEYJ471	M 470 OHM,J,1/10W	2	
R6709	ERJ6GEYJ101V	M 100 OHM,J,1/10W	1	
R6710-14	ERJ6GEYG222	M 2.2KOHM,J,1/10W	5	
R6717,18	ERJ6GEYG222	M 2.2KOHM,J,1/10W	2	
R6721,22	EXB38V220JV	RESISTOR ARRAY	2	
R6723	ERJ6GEYG182	M 1.8KOHM,J,1/10W	1	
R6724	ERJ6GEYJ101V	M 100 OHM,J,1/10W	1	
R6742	ERJ6GEYG103	M 10KOHM,J,1/10W	1	
R6745	ERJ6GEYF472	M 4.7KOHM,J,1/10W	1	
R6746,47	D0GD103JA059	M 10KOHM,J,0.25W	2	
R6748	ERJ6GEYG332	M 3.3KOHM,J,1/10W	1	
R6761	D0GD100JA059	M 10 OHM,J,0.25W	1	
R6762	ERJ6GEYF473	M 47KOHM,J,1/10W	1	
R6765	D0GF1R0JA047	M 1.0 OHM,J,0.33W	1	
R6766	D0GD750JA059	M 75 OHM,J,0.25W	1	
R6768	D0GF1R0JA047	M 1.0 OHM,J,0.33W	1	
R6769	D0GD750JA059	M 75 OHM,J,0.25W	1	
R6775,76	ERJ6GEYJ101V	M 100 OHM,J,1/10W	2	
R6777	D0GD151JA059	M 150 OHM,J,0.25W	1	
R6781	D0GD470JA059	M 47 OHM,J,0.25W	1	
R6782	ERJ6GEYF473	M 47KOHM,J,1/10W	1	
R6788	ERJ6GEYJ474	M 470KOHM,J,1/10W	1	
R6789	ERJ6GEYF473	M 47KOHM,J,1/10W	1	
R6791	ERJ6GEYG102	M 1KOHM,J,1/10W	1	
R6792	ERJ6GEYG103	M 10KOHM,J,1/10W	1	
R6793	ERJ6GEYJ101V	M 100 OHM,J,1/10W	1	
R6795,96	ERJ6GEYG104	M 100KOHM,J,1/10W	2	
R6797	ERJ6ENF1692	M16.9KOHM, 1/10W	1	
R6801	ERG2FNJS8R2E	M 8.2 OHM, J, 2W	1	
R6802	ERJ6GEYG103	M 10KOHM,J,1/10W	1	
R6806,07	ERX12S1R5	M 1.5 OHM, J,1/2W	2	
R6808	D0GF272JA047	M 2.7 KOHM,J,0.33W	1	
R6809	ERG1S1J273	M 27KOHM, J, 1W	1	
R6810	ERJ6GEYG102	M 1KOHM,J,1/10W	1	
R6811	ERJ6GEYG103	M 10KOHM,J,1/10W	1	
R6812	ERJ6ENF2403	M 240KOHM, 1/10W	1	
R6813	ERJ6ENF1002	M 10KOHM, 1/10W	1	
R6814	ERJ6ENF5601	M 5.6KOHM, 1/10W	1	
R6815	ERJ6ENF2700	M 270 OHM, 1/10W	1	
R6816	D1BD1152A028	M11.5KOHM, 1/10W	1	
R6817	ERJ6ENF2491	M2.49KOHM, 1/10W	1	
R6818	ERJ6GEYJ474	M 470KOHM,J,1/10W	1	

Ref. No.	Part No.	Part Name & Description	Pcs	Remarks
R6821	ERF5TJ221	W 220 OHM, J, 5W	1	
R6822	ERJ12YJ104U	M 100KOHM, 1/2W	1	
R6823	ERG1FJS104D	M 100KOHM, J, 1W	1	
R6824	ERJ6GEYG392	M 3.9KOHM, J, 1/10W	1	
R6825-27	ERJ6ENF2003	M 200KOHM, 1/10W	3	
R6828	ERJ6ENF4701	M 4.7KOHM, 1/10W	1	
R6829, 30	ERJ6GEYG104	M 100KOHM, J, 1/10W	2	
R6831	ERJ6GEYG153	M 15KOHM, J, 1/10W	1	
R6832	DOG4R7JA047	M 4.7 OHM, J, 0.33W	1	
R6833-36	ERJ6ENF7502	M 75KOHM, 1/10W	4	
R6837	ERJ6ENF5602	M 56KOHM, 1/10W	1	
R6839	ERJ6GEYF472	M 4.7KOHM, J, 1/10W	1	
R6840	ERX12SJ1R5	M 1.5 OHM, J, 1/2W	1	
R6841	ERJ12YJ153U	M 15KOHM, 1/2W	1	
R6842	ERJ12YJ433U	M 43KOHM, 1/2W	1	
R6843	ERJ6GEYJ623	M 62KOHM, J, 1/10W	1	
R6844	DOD2101JA021	M 100 OHM, J, 2W	1	
R6845-47	ERJ6GEYJ623	M 62KOHM, J, 1/10W	3	
R6848	ERJ6GEYG103	M 10KOHM, J, 1/10W	1	
R6849, 50	ERJ6ENF6802	M 68KOHM, 1/10W	2	
R6851	ERJ6ENF1802	M 18KOHM, 1/10W	1	
R6852	ERJ6ENF2701	M 2.7KOHM, 1/10W	1	
R6853	ERJ6GEYJ101V	M 100 OHM, J, 1/10W	1	
R6855	ERJ12YJ103	M 10KOHM, J, 1/2W	1	
R6856	ERQ12AJW560E	F 56 OHM, J, 1/2W	1	
R6857	ERJ12YJ124U	M 120KOHM, 1/2W	1	
R6860	DOD28R2JA021	M 8.2 OHM, J, 2W	1	
R6861, 62	ERJ6ENF5102	M 51KOHM, 1/10W	2	
R6863	ERJ6ENF5602	M 56KOHM, 1/10W	1	
R6864	ERJ6ENF6801	M 6.8KOHM, 1/10W	1	
R6865	ERJ6ENF3301	M 3.3KOHM, 1/10W	1	
R6866	ERJ6ENF6200	M 620 OHM, 1/10W	1	
R6867	ERJ6GEYG392	M 3.9KOHM, J, 1/10W	1	
R6868	ERJ6GEYJ223	M 22KOHM, J, 1/10W	1	
R6869	ERJ6GEYF472	M 4.7KOHM, J, 1/10W	1	
R6871-73	ERJ6ENF3902	M 39KOHM, 1/10W	3	
R6874	ERJ6ENF6801	M 6.8KOHM, 1/10W	1	
R6875	ERJ6ENF3301	M 3.3KOHM, 1/10W	1	
R6876	ERJ6RBD561	M 560 OHM, 1/10W	1	
R6877	ERJ6GEYG392	M 3.9KOHM, J, 1/10W	1	
R6878	ERJ6GEYJ223	M 22KOHM, J, 1/10W	1	
R6879	ERJ6GEYF472	M 4.7KOHM, J, 1/10W	1	
R6886-88	ERJ6GEYJ224	M 220KOHM, J, 1/10W	3	
R6891	ERJ6GEYG183	M 18KOHM, J, 1/10W	1	
R6901	ERJ6GEYJ101V	M 100 OHM, J, 1/10W	1	
R6902-04	ERJ3GEYJ220	M 22 OHM, J, 1/16W	3	
R6908, 09	ERJ6GEYG221	M 220 OHM, J, 1/10W	2	
R6916, 17	ERJ6GEYG221	M 220 OHM, J, 1/10W	2	
R6924	ERJ6GEYG221	M 220 OHM, J, 1/10W	1	
R6925, 26	J0JCC0000100	CHIP INDUCTOR	2	
R6931-34	ERJ6GEYG103	M 10KOHM, J, 1/10W	4	
R6935, 36	ERJ8GEYJ224	M 220KOHM, J, 1/8W	2	
R6938	ERJ6GEYG103	M 10KOHM, J, 1/10W	1	
R6951	ERJ6GEYJ101V	M 100 OHM, J, 1/10W	1	
R6952-54	ERJ3GEYJ220	M 22 OHM, J, 1/16W	3	
R6958, 59	ERJ6GEYG221	M 220 OHM, J, 1/10W	2	
R6966, 67	ERJ6GEYG221	M 220 OHM, J, 1/10W	2	
R6974	ERJ6GEYG221	M 220 OHM, J, 1/10W	1	

Ref. No.	Part No.	Part Name & Description	Pcs	Remarks
R6975, 76	J0JCC0000100	CHIP INDUCTOR	2	
R6981-84	ERJ6GEYG103	M 10KOHM, J, 1/10W	4	
R6985, 86	ERJ8GEYJ224	M 220KOHM, J, 1/8W	2	
R6989	ERJ6GEYG103	M 10KOHM, J, 1/10W	1	
R7112	DOG472JA047	M 4.7KOHM, J, 0.33W	1	
R7119	EXB38V220JV	RESISTOR ARRAY	1	
R7122-25	DOGZ6R8JA020	M 6.8 OHM, J, 0.5W	4	
R7126	ERJ6GEYJ224	M 220KOHM, J, 1/10W	1	
R7130-36	EXB38V471J	RESISTOR ARRAY	7	
R7142-45	DOGZ6R8JA020	M 6.8 OHM, J, 0.5W	4	
R7151-54	DOGZ6R8JA020	M 6.8 OHM, J, 0.5W	4	
R7155	EXB38V102J	RESISTOR ARRAY	1	
R7159	EXB38V470J	RESISTOR ARRAY	1	
R7162	EXB38V471J	RESISTOR ARRAY	1	
R7171-74	DOGZ6R8JA020	M 6.8 OHM, J, 0.5W	4	
R7177	EXB38V102J	RESISTOR ARRAY	1	
R7180	ERJ3GEYJ470	M 47 OHM, J, 1/16W	1	
R7184	EXB38V220JV	RESISTOR ARRAY	1	
R7185	DOG102JA057	M 1KOHM, J, 1/16W	1	
R7186	J0JCC0000100	CHIP INDUCTOR	1	
R7212-15	DOGZ6R8JA020	M 6.8 OHM, J, 0.5W	4	
R7219	ERJ6GEYJ224	M 220KOHM, J, 1/10W	1	
R7223-26	DOGZ6R8JA020	M 6.8 OHM, J, 0.5W	4	
R7229	ERJ6GEY0R00V	M 0 OHM, 1/10W	1	
R7232-35	DOGZ6R8JA020	M 6.8 OHM, J, 0.5W	4	
R7238	EXB38V471J	RESISTOR ARRAY	1	
R7245	EXB38V102J	RESISTOR ARRAY	1	
R7249	EXB38V220JV	RESISTOR ARRAY	1	
R7250	EXB38V470J	RESISTOR ARRAY	1	
R7257	ERJ3GEYJ470	M 47 OHM, J, 1/16W	1	
R7258	EXB38V102J	RESISTOR ARRAY	1	
R7262-65	DOGZ6R8JA020	M 6.8 OHM, J, 0.5W	4	
R7269	DOG472JA047	M 4.7KOHM, J, 0.33W	1	
R7273-79	EXB38V471J	RESISTOR ARRAY	7	
R7280	DOG102JA057	M 1KOHM, J, 1/16W	1	
R7281	ERJ6GEYG102	M 1KOHM, J, 1/10W	1	
R7285	EXB38V220JV	RESISTOR ARRAY	1	
R7286	J0JCC0000100	CHIP INDUCTOR	1	
R7288, 89	EXB38V222J	RESISTOR ARRAY	2	
R7290, 91	EXB38V470J	RESISTOR ARRAY	2	
R8001-04	ERJ3GEYJ101	M 100 OHM, J, 1/16W	4	
R8005	DOG103JA057	M 10KOHM, J, 1/16W	1	
R8007	ERJ6GEY0R00V	M 0 OHM, 1/10W	1	
R8009-12	ERJ3GEYJ221	M 220 OHM, J, 1/16W	4	
R8017, 18	ERJ3GEYJ562	M 5.6KOHM, J, 1/16W	2	
R8021	ERJ3GEYJ222	M 2.2KOHM, J, 1/16W	1	
R8025	J0JCC0000100	CHIP INDUCTOR	1	
R8026	ERJ3GEYJ331	M 330 OHM, J, 1/16W	1	
R8029	ERJ6ENF3001	M 3KOHM, 1/10W	1	
R8031	ERJ6ENF2201	M 2.2KOHM, 1/10W	1	
R8033	ERJ3GEYJ104	M 100KOHM, J, 1/16W	1	
R8035	ERJ6ENF3300	M 330 OHM, 1/10W	1	
R8036	ERJ6ENF1500	M 150 OHM, 1/10W	1	
R8037	ERJ6ENF4701	M 4.7KOHM, 1/10W	1	
R8039	ERJ6ENF4701	M 4.7KOHM, 1/10W	1	
R8041	DOG183JA057	M 18KOHM, J, 1/16W	1	
R8045	ERJ3GEYJ222	M 2.2KOHM, J, 1/16W	1	
R8047	ERJ3GEYJ271	M 270 OHM, J, 1/16W	1	

Ref. No.	Part No.	Part Name & Description	Pcs	Remarks
R8048	ERJ3GEYJ222	M 2.2KOHM,J,1/16W	1	
R8050	ERJ3GEYJ222	M 2.2KOHM,J,1/16W	1	
R8051	D0GB103JA057	M 10KOHM,J,1/16W	1	
R8054	J0JCC0000100	CHIP INDUCTOR	1	
R8055,56	ERJ3GEYJ101	M 100 OHM,J,1/16W	2	
R8057	D0GB102JA057	M 1KOHM,J,1/16W	1	
R8060	J0JCC0000100	CHIP INDUCTOR	1	
R8065	ERJ3GEYJ911	M 910 OHM,J,1/16W	1	
R8067	D0GB151JA057	M 150 OHM,J,1/16W	1	
R8069	ERJ6GEYJ222	M 2.2KOHM,J,1/10W	1	
R8072	J0JCC0000100	CHIP INDUCTOR	1	
R8089	D0GB181JA057	M 180 OHM,J,1/16W	1	
R8093	ERJ3GEYJ101	M 100 OHM,J,1/16W	1	
R8094	ERJ6GEY0R00V	M 0 OHM, 1/10W	1	
R8096	ERJ6GEY0R00V	M 0 OHM, 1/10W	1	
R8097	ERJ3GEYJ101	M 100 OHM,J,1/16W	1	
R8100	D0GB103JA057	M 10KOHM,J,1/16W	1	
R8112	J0JCC0000100	CHIP INDUCTOR	1	
R8117-20	J0JCC0000100	CHIP INDUCTOR	4	
R8121,22	ERJ3GEYJ272	M 2.7KOHM,J,1/16W	2	
R8124-27	ERJ3GEYJ101	M 100 OHM,J,1/16W	4	
R8129	ERJ6GEY0R00V	M 0 OHM, 1/10W	1	
R8180	ERJ8GEYJ820V	M 82 OHM, J,1/8W	1	
R8181,82	ERJ3GEYJ101	M 100 OHM,J,1/16W	2	
R8183,84	J0JCC0000100	CHIP INDUCTOR	2	
R8185,86	ERJ3GEYJ272	M 2.7KOHM,J,1/16W	2	
R8187,88	ERJ3GEYJ560	M 56 OHM,J,1/16W	2	
R8189,90	J0JCC0000100	CHIP INDUCTOR	2	
R8200	ERJ3GEYJ563	M 56KOHM,J,1/16W	1	
R8201	D0GB473JA057	M 47KOHM,J,1/16W	1	
R8202	ERJ3GEYJ223	M 22KOHM,J,1/16W	1	
R8203	D0GB103JA057	M 10KOHM,J,1/16W	1	
R8204	ERJ3GEYJ104	M 100KOHM,J,1/16W	1	
R8205	D0GB753JA057	M 75KOHM,J,1/16W	1	
R8206	D0GB393JA041	M 39KOHM,J,1/16W	1	
R9062-67	ERJ3GEYJ101	M 100 OHM,J,1/16W	6	
R9070	ERJ3GEYJ470	M 47 OHM,J,1/16W	1	
R9099	D0GB103JA057	M 10KOHM,J,1/16W	1	
R9101,02	D0GB103JA057	M 10KOHM,J,1/16W	2	
R9104,05	D0GB103JA057	M 10KOHM,J,1/16W	2	
R9107	ERJ3GEYJ332	M 3.3KOHM,J,1/16W	1	
R9108,09	D0GB103JA057	M 10KOHM,J,1/16W	2	
R9110	ERJ3GEYJ101	M 100 OHM,J,1/16W	1	
R9112	D0GB103JA057	M 10KOHM,J,1/16W	1	
R9113	ERJ3GEYJ100	M 10 OHM,J,1/16W	1	
R9115,16	ERJ3GEYJ101	M 100 OHM,J,1/16W	2	
R9119	EXB38V470J	RESISTOR ARRAY	1	
R9120	ERJ3GEYJ101	M 100 OHM,J,1/16W	1	
R9121	ERJ3GEYJ104	M 100KOHM,J,1/16W	1	
R9122,23	D0GB103JA057	M 10KOHM,J,1/16W	2	
R9126	D0GB103JA057	M 10KOHM,J,1/16W	1	
R9127	ERJ3GEYJ683	M 68KOHM,J,1/16W	1	
R9129	ERJ3GEYJ683	M 68KOHM,J,1/16W	1	
R9131-33	ERJ3GEYJ472	M 4.7KOHM,J,1/16W	3	
R9134	ERJ3GEYJ333	M 33KOHM,J,1/16W	1	
R9135	ERJ3GEYJ472	M 4.7KOHM,J,1/16W	1	
R9141-45	ERJ3GEYJ101	M 100 OHM,J,1/16W	5	
R9149	ERJ3GEYJ472	M 4.7KOHM,J,1/16W	1	

Ref. No.	Part No.	Part Name & Description	Pcs	Remarks
R9150,51	ERJ3GEYJ220	M 22 OHM,J,1/16W	2	
R9154,55	ERJ3GEYJ562	M 5.6KOHM,J,1/16W	2	
R9156	D0GB103JA057	M 10KOHM,J,1/16W	1	
R9158,59	D0GB103JA057	M 10KOHM,J,1/16W	2	
R9160,61	J0JCC0000100	CHIP INDUCTOR	2	
R9164,65	ERJ3GEYJ222	M 2.2KOHM,J,1/16W	2	
R9166	D0GB103JA057	M 10KOHM,J,1/16W	1	
R9167	ERJ3GEYJ101	M 100 OHM,J,1/16W	1	
R9170-72	D0GB393JA041	M 39KOHM,J,1/16W	3	
R9173,74	D0GB103JA057	M 10KOHM,J,1/16W	2	
R9177	ERJ3GEYJ223	M 22KOHM,J,1/16W	1	
R9181-84	D0GB102JA057	M 1KOHM,J,1/16W	4	
R9185,86	ERJ3GEYJ220	M 22 OHM,J,1/16W	2	
R9187,88	ERJ3GEYJ562	M 5.6KOHM,J,1/16W	2	
R9189,90	D0GB103JA057	M 10KOHM,J,1/16W	2	
R9193	D0GB103JA057	M 10KOHM,J,1/16W	1	
R9194	J0JCC0000100	CHIP INDUCTOR	1	
R9196	D0GB103JA057	M 10KOHM,J,1/16W	1	
R9199	ERJ3GEYJ272	M 2.7KOHM,J,1/16W	1	
R9200,01	ERJ3GEYJ100	M 10 OHM,J,1/16W	2	
R9203	D0GB102JA057	M 1KOHM,J,1/16W	1	
R9205	ERJ3GEYJ472	M 4.7KOHM,J,1/16W	1	
R9206,07	D0GB102JA057	M 1KOHM,J,1/16W	2	
R9215	D0GB123JA057	M 12KOHM,J,1/16W	1	
R9217-22	D0GB103JA057	M 10KOHM,J,1/16W	6	
R9223	ERJ3GEYJ272	M 2.7KOHM,J,1/16W	1	
R9225	ERJ3GEYJ272	M 2.7KOHM,J,1/16W	1	
R9237	D0GB103JA057	M 10KOHM,J,1/16W	1	
R9240	J0JCC0000100	CHIP INDUCTOR	1	
R9317	ERJ3GEYJ391	M 390 OHM,J,1/16W	1	
R9347,48	EXB2HV220JV	RESISTOR ARRAY	2	
R9349	EXB2HV470JV	RESISTOR ARRAY	1	
R9350,51	ERJ3GEYJ220	M 22 OHM,J,1/16W	2	
R9352	EXB2HV220JV	RESISTOR ARRAY	1	
R9354-56	EXB2HV220JV	RESISTOR ARRAY	3	
R9361,62	ERJ3GEYJ220	M 22 OHM,J,1/16W	2	
R9363	EXB2HV470JV	RESISTOR ARRAY	1	
R9369	ERJ3GEYJ472	M 4.7KOHM,J,1/16W	1	
R9370	D0GB103JA057	M 10KOHM,J,1/16W	1	
R9371	ERJ3GEYJ104	M 100KOHM,J,1/16W	1	
R9379	J0JCC0000100	CHIP INDUCTOR	1	
R9380	ERJ3GEYJ560	M 56 OHM,J,1/16W	1	
R9383	D0GB102JA057	M 1KOHM,J,1/16W	1	
R9384,85	ERJ3GEYJ472	M 4.7KOHM,J,1/16W	2	
R9391	ERJ3GEYJ104	M 100KOHM,J,1/16W	1	
R9392,93	J0JCC0000100	CHIP INDUCTOR	2	
R9396-99	ERJ3GEYJ220	M 22 OHM,J,1/16W	4	
R9402	ERJ6GEY0R00V	M 0 OHM, 1/10W	1	
R9403	EXB2HV470JV	RESISTOR ARRAY	1	
R9500	D0GB103JA057	M 10KOHM,J,1/16W	1	
R9502	D0GB103JA057	M 10KOHM,J,1/16W	1	
R9503	ERJ3GEYJ470	M 47 OHM,J,1/16W	1	
R9506	ERJ3GEYJ220	M 22 OHM,J,1/16W	1	
R9507	J0JCC0000100	CHIP INDUCTOR	1	
R9511-13	ERJ3GEYJ470	M 47 OHM,J,1/16W	3	

Ref. No.	Part No.	Part Name & Description	Pcs	Remarks
R9516	D0GB103JA057	M 10KOHM,J,1/16W	1	
R9518	J0JCC0000100	CHIP INDUCTOR	1	
R9523	ERJ3GEYJ472	M 4.7KOHM,J,1/16W	1	
R9525	D0GB103JA057	M 10KOHM,J,1/16W	1	
R9526	J0JCC0000100	CHIP INDUCTOR	1	
R9530	D0GB103JA057	M 10KOHM,J,1/16W	1	
R9531-33	ERJ3GEYJ470	M 47 OHM,J,1/16W	3	
R9534	EXB38V470J	RESISTOR ARRAY	1	
R9535,36	ERJ3GEYJ470	M 47 OHM,J,1/16W	2	
R9537	D0GB103JA057	M 10KOHM,J,1/16W	1	
R9539	D0GB103JA057	M 10KOHM,J,1/16W	1	
R9541	D0GB103JA057	M 10KOHM,J,1/16W	1	
R9543,44	D0GB103JA057	M 10KOHM,J,1/16W	2	
R9545	ERJ3GEYJ304	M 300KOHM,J,1/16W	1	
R9548-50	D0GB103JA057	M 10KOHM,J,1/16W	3	
R9552	D0GB103JA057	M 10KOHM,J,1/16W	1	
R9553,54	J0JCC0000100	CHIP INDUCTOR	2	
R9557,58	J0JCC0000100	CHIP INDUCTOR	2	
R9561	EXB38V222J	RESISTOR ARRAY	1	
R9562	ERJ3GEYJ470	M 47 OHM,J,1/16W	1	
R9563-66	EXB2HV470JV	RESISTOR ARRAY	4	
R9567	D0GB103JA057	M 10KOHM,J,1/16W	1	
R9569	J0JCC0000100	CHIP INDUCTOR	1	
R9824-27	ERJ3GEYJ101	M 100 OHM,J,1/16W	4	
R9828	ERJ3GEYJ104	M 100KOHM,J,1/16W	1	
R9839	EXB38V101JV	RESISTOR ARRAY	1	
R9840	ERJ3GEYJ220	M 22 OHM,J,1/16W	1	
R9845	D0GB103JA057	M 10KOHM,J,1/16W	1	
R9846,47	EXB2HV222JV	RESISTOR ARRAY	2	
R9848,49	EXB2HV470JV	RESISTOR ARRAY	2	
R9850	D0GB473JA057	M 47KOHM,J,1/16W	1	
R9854	ERJ3GEYJ101	M 100 OHM,J,1/16W	1	
R9859	EXB38V101JV	RESISTOR ARRAY	1	
R9861-63	D0GB103JA057	M 10KOHM,J,1/16W	3	
R9868	ERJ3GEYJ104	M 100KOHM,J,1/16W	1	
R9869-71	D0GB103JA057	M 10KOHM,J,1/16W	3	
R9872	J0JCC0000100	CHIP INDUCTOR	1	
R9874	J0JCC0000100	CHIP INDUCTOR	1	
R9878	ERJ3EKF1102	M 11KOHM, 1/16W	1	
R9879	ERJ3EKF1302	M 13KOHM, 1/16W	1	
R9886,87	ERJ3EKF5602	M 56KOHM, 1/16W	2	
R9888	ERJ3EKF1102	M 11KOHM, 1/16W	1	
R9889	ERJ3EKF1742	M17.2KOHM, 1/16W	1	
R9890	ERJ3EKF4752	M47.5KOHM, 1/16W	1	
R9891	ERJ3EKF1272	M12.7KOHM, 1/16W	1	
R9892	ERJ3GEYJ104	M 100KOHM,J,1/16W	1	
R9893	ERJ3EKF5602	M 56KOHM, 1/16W	1	
R9894	ERJ3EKF1102	M 11KOHM, 1/16W	1	
R9895	ERJ3GEYJ104	M 100KOHM,J,1/16W	1	
R9896	ERJ3EKF1822	M18.2KOHM, 1/16W	1	
R9897	ERJ3EKF4752	M47.5KOHM, 1/16W	1	
R9901,02	J0JCC0000100	CHIP INDUCTOR	2	
R9903	EXB2HV470JV	RESISTOR ARRAY	1	
R9904	ERJ3GEYJ470	M 47 OHM,J,1/16W	1	
R9905	ERJ3GEYJ330	M 33 OHM,J,1/16W	1	
R9906	EXB38V470J	RESISTOR ARRAY	1	
R9907	D0GB151JA057	M 150 OHM,J,1/16W	1	
R9908-11	J0JCC0000100	CHIP INDUCTOR	4	
R9912	D0GB103JA057	M 10KOHM,J,1/16W	1	

Ref. No.	Part No.	Part Name & Description	Pcs	Remarks
R9915-18	J0JCC0000100	CHIP INDUCTOR	4	
R9919	D0GB102JA057	M 1KOHM,J,1/16W	1	
R9922	J0JCC0000100	CHIP INDUCTOR	1	
R9928,29	J0JCC0000100	CHIP INDUCTOR	2	
R9936-39	ERJ3EKF1001	M 1KOHM, 1/16W	4	
R9940	ERJ3GEYJ330	M 33 OHM,J,1/16W	1	
R9941,42	ERJ3GEYJ470	M 47 OHM,J,1/16W	2	
R9943-51	EXB38V470J	RESISTOR ARRAY	9	
R9952-55	ERJ3GEYJ470	M 47 OHM,J,1/16W	4	
R9956	D0GB103JA057	M 10KOHM,J,1/16W	1	
R9960	J0JCC0000100	CHIP INDUCTOR	1	
R9961	D0GB103JA057	M 10KOHM,J,1/16W	1	
RL401-03	K6B1CGA00055	REALY	3	△
RM2501	PNA4701M05TV	REMOCON RECEIVER	1	
S1	K1KA03BA0061	3P CONNECTOR	1	
S401,02	J0LT00000009	SWITCH	2	△
SC2	K1KA02A00676	2P CONNECTOR	1	
SC20	K1KY30AA0369	30P CONNECTOR	1	
SC30	K1KA10AA0191	10P CONNECTOR	1	
SC41,42	K1ML80B00001	80P CONNECTOR	2	
SC45,46	K1KA09A00239	9P CONNECTOR	2	
SCMM1M2	TMME260	CLAMPER	2	
SD1-D3	K1MNC0B00002	CONNECTOR	3	
SD46	K1KB09AA0213	9P CONNECTOR	1	
SS11	K1KA02A00676	2P CONNECTOR	1	
SS12	K1KA10AA0194	10P CONNECTOR	1	
SS23	K1KA12AA0194	12P CONNECTOR	1	
SS34	K1KA03AA0193	3P CONNECTOR	1	
SS53-56	K1MN13BA0258	13P CONNECTOR	4	
SU1-U3	K1MNC0B00002	CONNECTOR	3	
SU45	K1KB09AA0213	9P CONNECTOR	1	
SW2500	K0F162B00002	SWITCH	1	
SW3753-57	EVQ11G05R	SWITCH	5	
T401	G4D4A0000119	SWITCHING TRANS	1	
T402	G4D1A0000128	SWITCHING TRANS	1	△
T404	ETS42LB11GAD	SWITCHING TRANS	1	△
T410	G4D2A0000283	SWITCHING TRANS	1	△
T601	G4D2A0000284	SWITCHING TRANS	1	
T6602	ETS25AZ169AD	SWITCHING TRANS	1	
VR6000	EVMEASA00B14	CONTROL 10KOHMB 0.3W	1	
VR6600	EVMEASA00B13	CONTROL 1KOHMB 0.3W	1	
VR6602	EVMEASA00B53	CONTROL 5KOHMB 0.3W	1	
W13	ERJ6GEY0R00V	M 0 OHM, 1/10W	1	
W46	ERJ6GEY0R00V	M 0 OHM, 1/10W	1	
X501	H2B400400021	CRYSTAL	1	
X2301	H0J184500026	CRYSTAL	1	
X4501	H0J200500038	CRYSTAL	1	
X4701	H0J100500030	CRYSTAL	1	
X8181	H0J327200114	CRYSTAL	1	
X9000	H2D100500004	CRYSTAL	1	

Ref. No.	Part No.	Part Name & Description	Pcs	Remarks
X9200	H0J200500038	CRYSTAL	1	
Z1-Z3	K4ZZ01000206	TERMINAL	3	
ZA3001	K4CD01000013	AV TERMINAL	1	
ZA3002	K4CD01000011	AV TERMINAL	1	
ZA3003-08	K4CD01000013	AV TERMINAL	6	
ZA4001, 02	K4CD01000011	AV TERMINAL	2	
ZA6001, 02	K4CD01000011	AV TERMINAL	2	
ZA6005	K4CD01000011	AV TERMINAL	1	
ZA6401-03	K4CD01000011	AV TERMINAL	3	
ZA7101-04	K4AD01Z00001	TERMINAL	4	
ZA7201-04	K4AD01Z00001	TERMINAL	4	
ZA9001	K4CD01000011	AV TERMINAL	1	
ZN401, 02	D4EAD6210001	VARISTOR	2	△
ZN403	ERZVGAD681T2	VARISTOR	1	△
ZN404, 05	ERZVA7D511	VARISTOR	2	△

18.3. TH-42PR10U Electrical Replacement Parts List

Ref. No.	Part No.	Part Name & Description	Pcs	Remarks
F401.40 2	K5D802BNA005	TIME LAG FUSE HIGH	2	△
F403	K5G631B00007	FUSE	1	△
C10	K1MN20BA0231	20P CONNECTOR	1	
C11	K1MN55BA0076	55P CONNECTOR	1	
C20	K1MN20BA0231	20P CONNECTOR	1	
C21	K1MN55BA0076	55P CONNECTOR	1	
C23	K1KA12BA0107	12P CONNECTOR	1	
C404	FOCZZ445A097	E 0.044UF, 200V	1	
C406	F1E2J4730001	C 0.047PF, , 600V	1	
C407	F2B2W220A032	C 22UF, 450V	1	△
C408	ECJ1VB1H102K	C 1000PF, K, 50V	1	
C410	FLJ1E105A080	E 1 UF 25V	1	
C413	ECJ1VB1E104K	C 0.10UF, K, 25V	1	
C420	FLJ1E105A080	E 1 UF 25V	1	
C421	ECJ1VB1E104K	C 0.10UF, K, 25V	1	
C423	ECJ1VB1H472K	C 4700PF, K, 50V	1	
C425	FLJ1E105A080	E 1 UF 25V	1	
C426	ECJ1VC1H471J	C 470PF, J, 50V	1	
C427	F1H1C105A071	C 1UF, K, 16V	1	
C428	ECJ1XC1H221J	C 220PF, J, 50V	1	
C429	F1E2J4730001	C 0.047PF, , 600V	1	
C431	ECJ1VB1H102K	C 1000PF, K, 50V	1	
C432,33	F1H1C105A071	C 1UF, K, 16V	2	
C435	ECJ1XC1H101J	C 100PF, J, 50V	1	
C436	F1H1C105A071	C 1UF, K, 16V	1	
C437	ECJ1VB1H103K	C 0.001UF, K, 50V	1	
C443,44	ECKD3A102KBP	C 1000PF, K, 1KV	2	
C445	F1H1C105A071	C 1UF, K, 16V	1	
C446	F2B2W3910010	C 390UF, 450V	1	△
C450	ECJ1VB1H103K	C 0.001UF, K, 50V	1	
C451	ECKD3A101KBP	C 100PF, K, 1KV	1	
C457	ECWH12333RHV	P 0.013UF,J,1.2KV	1	
C462	FLJ1E105A080	E 1 UF 25V	1	
C463	F1H1H2200008	E 22UF, 50V	1	
C467	F1BAF221A107	C 220UF, 250V	1	△
C468	ECJ1VB1H103K	C 0.001UF, K, 50V	1	
C469	F1BAF221A107	C 220UF, 250V	1	△
C470	FOCAF335A080	C 0.033UF, 250V	1	△
C472	F1BAF221A107	C 220UF, 250V	1	△
C474,75	F1BAF221A107	C 220UF, 250V	2	△
C478	F1BAF221A107	C 220UF, 250V	1	△
C492	ECA1HM100	E 10UF, 50V	1	
C493	ECA1HM470	E 47UF, 50V	1	
C493	F2A1H4700057	E 47UF, 50V	1	
C497	F2A1H4700057	E 47UF, 50V	1	
C501,02	ECJ1VB1H103K	C 0.001UF, K, 50V	2	
C504	F1H1C105A071	C 1UF, K, 16V	1	
C505	ECJ1VB1H102K	C 1000PF, K, 50V	1	
C506	ECJ1VB1H103K	C 0.001UF, K, 50V	1	
C507	ECJ1VB1E104K	C 0.10UF, K, 25V	1	
C509	ECA1EHG101	E 100UF, 25V	1	
C511	ECJ1VB1H102K	C 1000PF, K, 50V	1	
C515	F2A1A1220015	E 1200UF, 10V	1	
C516	ECJ1VB1C474K	C 0.47UF,K, 16V	1	
C517	F2A1E221A096	E 220UF, 25V	1	
C518,19	F1H1C105A071	C 1UF, K, 16V	2	
C520	FOC2E683A160	E 0.068UF, 250V	1	
C521	ECJ1VB1H103K	C 0.001UF, K, 50V	1	
C522	F1E2E1030002	C 0.010PF, , 600V	1	
C523	FLJ1E105A080	E 1 UF 25V	1	
C526	ECJ1VB1H223K	C 0.22UF, K, 50V	1	
C528	ECJ1VB1H102K	C 1000PF, K, 50V	1	
C529	ECJ2FB1C475K	C 47UF, K, 16V	1	
C530	ECJ1VB1E333K	C 0.033UF, K, 25V	1	
C531	ECJ1VB1E104K	C 0.10UF, K, 25V	1	
C534	F1H1H471A792	E 470UF, 50V	1	
C546,47	ECJ1VB1H102K	C 1000PF, K, 50V	2	
C552	ECJ1VB1E104K	C 0.10UF, K, 25V	1	
C554	F1H1C105A071	C 1UF, K, 16V	1	

Ref. No.	Part No.	Part Name & Description	Pcs	Remarks
C555	F2A2C4710003	E 470UF, 160V	1	△
C556	F2A1E3320039	E 3300PF, 25V	1	
C558	F2A1E4710065	E 470UF, 25V	1	
C559	F2A1A1020084	E 1000UF, 10V	1	
C562	F1H1H223A219	E 0.022UF, 50V	1	
C571	ECJ1VLC1H330J	C 33PF, J, 50V	1	
C574	ECJ1VB1E104K	C 0.10UF, K, 25V	1	
C577	F2A2A330A022	E 33UF, 100V	1	△
C581	ECJ2VB1H223K	C 0.022UF, K, 50V	1	
C583	ECJ1VB1H102K	C 1000PF, K, 50V	1	
C584	ECJ2VB1H223K	C 0.022UF, K, 50V	1	
C585	F1H1H223A219	E 0.022UF, 50V	1	
C587	ECJ1VB1H332K	C 3300PF, K, 50V	1	
C590	ECJ1XB1H104K	C 10PF, J, 50V	1	
C601	ECJ1VB1H103K	C 0.001UF, K, 50V	1	
C603	FLJ1E105A080	E 1 UF 25V	1	
C604,05	F2A2D1510008	E 150UF, 200V	2	△
C607	F1H1C105A071	C 1UF, K, 16V	1	
C610	FLJ1E105A080	E 1 UF 25V	1	
C611	F2B2T1420003	E 142UF, 220V	1	△
C612	ECJ1VB1H103K	C 0.001UF, K, 50V	1	
C616	ECKD3A102KBP	C 1000PF, K, 1KV	1	
C619	F1H1C105A071	C 1UF, K, 16V	1	
C620	FLJ1E105A080	E 1 UF 25V	1	
C623	ECA1HM100	E 10UF, 50V	1	
C624	ECJ1VB1H103K	C 0.001UF, K, 50V	1	
C625	F2A1H1000083	E 10UF, 50V	1	
C626	ECJ1VB1H103K	C 0.001UF, K, 50V	1	
C627	ECJ1VB1H102K	C 1000PF, K, 50V	1	
C630,31	ECJ1VB1H103K	C 0.001UF, K, 50V	2	
C632	ECJ2XC1H330J	C 33PF, J, 50V	1	
C639	ECJ1VB1H103K	C 0.001UF, K, 50V	1	
C640	ECJ1VLC1H330J	C 33PF, J, 50V	1	
C641	ECJ1VB1H102K	C 1000PF, K, 50V	1	
C650,51	ECJ1VB1E104K	C 0.10UF, K, 25V	2	
C653	ECJ1VB1H102K	C 1000PF, K, 50V	1	
C657	ECJ1VB1H102K	C 1000PF, K, 50V	1	
C658	FLJ1E105A080	E 1 UF 25V	1	
C660	ECJ2FB1C225K	C 22UF, K, 16V	1	
C661	ECJ1VB1H103K	C 0.001UF, K, 50V	1	
C662	ECJ2VB1H103K	C 0.01UF, K, 50V	1	
C665	ECJ1XC1H101J	C 100PF, J, 50V	1	
C666	ECJ1VB1H103K	C 0.001UF, K, 50V	1	
C667,68	ECJ1VB1H102K	C 1000PF, K, 50V	2	
C670	ECJ1VB1E104K	C 0.10UF, K, 25V	1	
C671	ECJ2VB1E104K	C 0.1UF, K, 25V	1	
C672	ECJ1VB1E104K	C 0.10UF, K, 25V	1	
C673	F1E2J4730001	C 0.047PF, , 600V	1	
C801	F2H1V221A004	E 220UF, 35V	1	
C802	F2H1E471A010	E 470UF, 25V	1	
C804	ECJ1VB1H472K	C 4700PF, K, 50V	1	
C805,06	ECJ1VB1E104K	C 0.10UF, K, 25V	2	
C807	ECJ3YF1E225Z	C 2.2UF, Z, 25V	1	
C808	ECJ1VB1E104K	C 0.10UF, K, 25V	1	
C809	ECJ3XB1C225K	C 22UF, K, 16V	1	
C811	EEEB1C471P	E 470UF, 16V	1	
C812	F2H1E471A010	E 470UF, 25V	1	
C814	ECJ1VB1H472K	C 4700PF, K, 50V	1	
C815,16	ECJ1VB1E104K	C 0.10UF, K, 25V	2	
C817	ECJ3YF1E225Z	C 2.2UF, Z, 25V	1	
C818	ECJ1VB1E104K	C 0.10UF, K, 25V	1	
C819	ECJ3XB1C225K	C 22UF, K, 16V	1	
C821	EEEB1C471P	E 470UF, 16V	1	
C822	F2H1E471A010	E 470UF, 25V	1	
C823	F1H1H390A831	C 39PF, K, 50V	1	PAVCA
C824	ECJ1VB1H103K	C 0.001UF, K, 50V	1	
C825	ECJ1VB1E104K	C 0.10UF, K, 25V	1	
C827	ECJ3YF1E225Z	C 2.2UF, Z, 25V	1	
C828	ECJ1VB1E104K	C 0.10UF, K, 25V	1	
C829	ECJ3YB1E106M	C 10 UF, K, 25V	1	
C831	EEEB1C470P	C 47PF, J, 16V	1	

Ref. No.	Part No.	Part Name & Description	Pcs	Remarks
C832	ECJ1VB1E104K	C 0.10UF, K, 25V	1	
C833	ECJ1VB1H103K	C 0.001UF, K, 50V	1	
C834,35	EEHHC1C470P	C 47PF, J, 16V	2	
C837	FLJ0J1060004	C 0.010UF, K, 16V	1	
C838	ECJ3XB1C225K	C 22UF, K, 16V	1	
C839	FLJ0J1060004	C 0.010UF, K, 16V	1	
C840	ECJ3XB1C225K	C 22UF, K, 16V	1	
C841	FLJ0J1060004	C 0.010UF, K, 16V	1	
C843	ECJ3YB1E106M	C 10 UF, K, 25V	1	
C844	ECJ3XB1C225K	C 22UF, K, 16V	1	
C845	ECJ3YB1E106M	C 10 UF, K, 25V	1	
C846	ECJ3XB1C225K	C 22UF, K, 16V	1	
C847	FLJ0J1060004	C 0.010UF, K, 16V	1	
C848	ECJ3XB1C225K	C 22UF, K, 16V	1	
C855-57	ECJ1VB1H103K	C 0.001UF, K, 50V	3	
C867	ECJ1VB1E104K	C 0.10UF, K, 25V	1	
C869	ECJ3XB1C225K	C 22UF, K, 16V	1	
C2350, 51	ECJ3XB1C225K	C 22UF, K, 16V	2	
C2352, 53	F2G1H100A031	E 10UF, 50V	2	
C2354, 55	EEHHC1V470P	E 47UF, 35V	2	
C2356, 57	ECJ1VB1H102K	C 1000UF, Z, 50V	2	
C2358, 59	EEHHP1V2R2R	E 2.2UF, 35V	2	
C2360, 61	ECJ1XC1H102J	C 1000PF, J, 50V	2	
C2362, 63	EEHHC1E471UP	C 470PF, J, 25V	2	
C2364, 65	ECQV1H104JL	P 0.1UF, J, 50V	2	
C2366, 67	ECJ3YB1E225K	C 2.2UF, K, 25V	2	
C2368, 69	ECQV1H104JL	P 0.1UF, J, 50V	2	
C2370, 71	F2G1H100A031	E 10UF, 50V	2	
C2373-75	ECJ1VB1E104K	C 0.10UF, K, 25V	3	
C2376, 77	ECJ1VC1H150J	C 15PF, J, 50V	2	
C2378-82	ECJ1VB1E104K	C 0.10UF, K, 25V	5	
C2383	EEHHC1A101P	C 100PF, J, 10V	1	
C2384	ECJ1VB1E104K	C 0.10UF, K, 25V	1	
C2385	EEHHC1A101P	C 100PF, J, 10V	1	
C2386, 87	EEHHP1H1R0R	C 1.0PF, J, 50V	2	
C2388	ECJ1VB1E104K	C 0.10UF, K, 25V	1	
C2389	EEHHC1A101P	C 100PF, J, 10V	1	
C2390	F2G1H100A031	E 10UF, 50V	1	
C2391	ECJ1VB1E104K	C 0.10UF, K, 25V	1	
C2392, 93	FLJ1C1050030	C 1UF, Z, 16V	2	PAVCA
C2394	F2G1H100A031	E 10UF, 50V	1	
C2395, 96	ECJ1VB1E104K	C 0.10UF, K, 25V	2	
C2397	EEHHC1A101P	C 100PF, J, 10V	1	
C2398-03	ECJ1VB1E104K	C 0.10UF, K, 25V	6	
C2404	ECJ1VB1H103K	C 0.001UF, K, 50V	1	
C2405, 06	F1H0J2250008	C 2.2UF, K, 16V	2	
C2407, 08	FLJ0J1060004	C 0.010UF, K, 16V	2	
C2409, 10	F1H1H181A792	E 180UF, 50V	2	
C2411	ECJ3YB1E106M	C 10 UF, K, 25V	1	
C2412, 13	ECJ1VB1E104K	C 0.10UF, K, 25V	2	
C2420	ECJ1VB1E104K	C 0.10UF, K, 25V	1	
C2425, 26	ECJ1VB1E104K	C 0.10UF, K, 25V	2	
C2512	ECJ3XB0J106M	C 10UF, M, 6.3V	1	
C2515	ECJ1VB1H103K	C 0.001UF, K, 50V	1	

Ref. No.	Part No.	Part Name & Description	Pcs	Remarks
C2521	ECJ1VB1H103K	C 0.001UF, K, 50V	1	
C3001	ECJ1VB1H103K	C 0.001UF, K, 50V	1	
C3004	EEHHC1C470P	C 47PF, J, 16V	1	
C3009-11	ECJ1VB1E104K	C 0.10UF, K, 25V	3	
C3012-17	ECJ1VB1H103K	C 0.001UF, K, 50V	6	
C3018	EEHHC1C470P	C 47PF, J, 16V	1	
C3019	ECJ1VF1C104Z	C 0.1UF, Z, 16V	1	
C3020-31	ECJ3XB1C225K	C 22UF, K, 16V	12	
C3032	ECJ1VB1C105K	C 0.01UF, K, 16V	1	
C3033-35	ECJ1XB1C104K	C 0.1UF, Z, 16V	3	
C3040, 41	ECJ1VF1C104Z	C 0.1UF, Z, 16V	2	
C3042, 43	EEHHC1C100R	C 10PF, J, 16V	2	
C3051-58	ECJ1XF1C105Z	C 1UF, Z, 16V	8	
C3101	ECJ3XB1C225K	C 22UF, K, 16V	1	
C3103	ECJ3XB1C225K	C 22UF, K, 16V	1	
C3105-08	ECJ1VF1C104Z	C 0.1UF, Z, 16V	4	
C3110	ECJ3XB1C225K	C 22UF, K, 16V	1	
C3111, 12	ECJ1VF1C104Z	C 0.1UF, Z, 16V	2	
C3113	EEHHC1C470P	C 47PF, J, 16V	1	
C3114	ECJ3XF1C475Z	C 4.7UF, Z, 16V	1	
C3115	ECJ1VF1C104Z	C 0.1UF, Z, 16V	1	
C3134-36	EEHHC1C471P	E 470UF, 16V	3	
C3143, 44	ECJ3XB1C225K	C 22UF, K, 16V	2	
C3146	ECJ3XB1C225K	C 22UF, K, 16V	1	
C3153	ECJ1VF1C104Z	C 0.1UF, Z, 16V	1	
C3200	FLJ1C1050030	C 1UF, Z, 16V	1	PAVCA
C3201-03	FLJ0J1060004	C 0.010UF, K, 16V	3	
C3204, 05	ECJ1VF1C104Z	C 0.1UF, Z, 16V	2	
C3404	ECJ2VF1C104Z	C 0.1UF, Z, 16V	1	
C3405, 06	ECJ3YB1E106M	C 10 UF, K, 25V	2	
C3409	ECJ2VF1C104Z	C 0.1UF, Z, 16V	1	
C3523	ECJ3YB1E106M	C 10 UF, K, 25V	1	
C3524	ECJ2VF1H103Z	C 0.010UF, Z, 50V	1	
C3550	ECJ2VF1H103Z	C 0.010UF, Z, 50V	1	
C3551, 52	ECJ3YB1E106M	C 10 UF, K, 25V	2	
C3561, 62	FLJ1C1050030	C 1UF, Z, 16V	2	PAVCA
C3750	ECJ2XC1H102J	C 1000PF, K, 50V	1	
C4001, 02	ECJ1VF1C104Z	C 0.1UF, Z, 16V	2	
C4003	F1H1H822A219	E 8200UF, 50V	1	
C4004	ECJ1VB1C823K	C 0.082UF, K, 16V	1	
C4006	ECJ1VF1C104Z	C 0.1UF, Z, 16V	1	
C4007-09	FLJ1E104A137	C 0.10UF, Z, 25V	3	PAVCA
C4010	ECJ1VB1H102K	C 1000UF, Z, 50V	1	
C4011-13	ECJ1VF1C104Z	C 0.1UF, Z, 16V	3	
C4016	ECJ1VF1C104Z	C 0.1UF, Z, 16V	1	
C4017	ECJ2FB0J106K	C 10UF, Z, 6.3V	1	
C4018, 19	ECJ1VF1C104Z	C 0.1UF, Z, 16V	2	
C4020, 21	ECJ2FB0J106K	C 10UF, Z, 6.3V	2	
C4022	ECJ1VF1C104Z	C 0.1UF, Z, 16V	1	
C4024	ECJ2FB0J106K	C 10UF, Z, 6.3V	1	
C4027	ECJ1VB1H102K	C 1000UF, Z, 50V	1	
C4031, 32	ECJ1VF1C104Z	C 0.1UF, Z, 16V	2	
C4201	EEHHC1C470P	C 47PF, J, 16V	1	
C4202-13	ECJ1XB1C104K	C 0.1UF, Z, 16V	12	

Ref. No.	Part No.	Part Name & Description	Pcs	Remarks
C4219-22	ECJ2FB0J106K	C 10UF, Z,6.3V	4	
C4225	ECJ2FB0J106K	C 10UF, Z,6.3V	1	
C4227	ECJ2FB0J106K	C 10UF, Z,6.3V	1	
C4301	F2G0J470A019	E 47UF 6.3V	1	
C4302	ECJ1XB1C104K	C 0.1UF, Z, 16V	1	
C4303,04	ECJ1VB1H102K	C 1000UF, Z, 50V	2	
C4305,06	ECJ1XB1C104K	C 0.1UF, Z, 16V	2	
C4307	ECJ1VB1H102K	C 1000UF, Z, 50V	1	
C4308	ECJ1XB1C104K	C 0.1UF, Z, 16V	1	
C4309	ECJ1VB1A105K	C 0.01UF, Z, 50V	1	
C4310	F1K0J226A008	C 22UF, K,6.3V	1	
C4311	ECJ1XB1C104K	C 0.1UF, Z, 16V	1	
C4312	ECJ1VB1A105K	C 0.01UF, Z, 50V	1	
C4313	ECJ1VB1H102K	C 1000UF, Z, 50V	1	
C4315	F1K0J226A008	C 22UF, K,6.3V	1	
C4502	ECJ2FB0J106K	C 10UF, Z,6.3V	1	
C4503,04	ECJ1XB1C104K	C 0.1UF, Z, 16V	2	
C4505,06	ECJ1VC1H120J	C 12PF, J, 50V	2	
C4541	F1H1H80A503	E 8.0UF, 50V	1	PAVCA
C4543	ECJ1XB1C104K	C 0.1UF, Z, 16V	1	
C4544	EEHBOG221P	E 220UF, 4V	1	
C4545	ECJ2FB0J106K	C 10UF, Z,6.3V	1	
C4546,47	ECJ1VF1C104Z	C 0.1UF, Z, 16V	2	
C4548,49	ECJ2FB0J106K	C 10UF, Z,6.3V	2	
C4550,51	ECJ1VF1C104Z	C 0.1UF, Z, 16V	2	
C4552	ECJ2FB0J106K	C 10UF, Z,6.3V	1	
C4553-97	ECJ1VF1C104Z	C 0.1UF, Z, 16V	45	
C4598	EEHBOG221P	E 220UF, 4V	1	
C4599-14	ECJ1XB1C104K	C 0.1UF, Z, 16V	16	
C4629	ECJ1XB1C104K	C 0.1UF, Z, 16V	1	
C4701	ECJ1XB1C104K	C 0.1UF, Z, 16V	1	
C4703	ECJ2FB0J106K	C 10UF, Z,6.3V	1	
C4704-19	ECJ1XB1C104K	C 0.1UF, Z, 16V	16	
C4733	ECJ1XF1H102Z	C 1000PF, Z, 50V	1	
C4742	ECJ1XB1C104K	C 0.1UF, Z, 16V	1	
C4743	TCUY1C105ZFN	C 1UF, 16V	1	
C4744	ECJ1VF1C104Z	C 0.1UF, Z, 16V	1	
C4749,50	ECJ1VF1C104Z	C 0.1UF, Z, 16V	2	
C4751,52	ECJ1VC1H150J	C 15PF, J, 50V	2	
C4753	ECJ1XF1H102Z	C 1000PF, Z, 50V	1	
C4754	ECJ1VF1C104Z	C 0.1UF, Z, 16V	1	
C4803	ECJ1VB1H102K	C 1000UF, Z, 50V	1	
C4804	ECJ1VF1C104Z	C 0.1UF, Z, 16V	1	
C4861	TCUY1C105ZFN	C 1UF, 16V	1	
C4862	ECJ1XB1C104K	C 0.1UF, Z, 16V	1	
C4863	ECJ1VF1C104Z	C 0.1UF, Z, 16V	1	
C4864	ECJ1XC1H101J	C 100PF, J, 50V	1	
C4865	ECJ2FF1C475Z	C 0.047UF, Z, 16V	1	
C4866	ECJ1VF1C104Z	C 0.1UF, Z, 16V	1	
C4871	ECJ1VF1C104Z	C 0.1UF, Z, 16V	1	
C4881,82	ECJ1VF1C104Z	C 0.1UF, Z, 16V	2	
C4884,85	ECJ1VF1C104Z	C 0.1UF, Z, 16V	2	
C4886	ECJ1XC1H101J	C 100PF, J, 50V	1	
C4887	ECJ1VB1E104K	C 0.10UF, K, 25V	1	
C4901,02	ECJ3YB1E106M	C 10 UF, K, 25V	2	
C4903	ECJ1VB1E104K	C 0.10UF, K, 25V	1	
C4904,05	ECJ3YB1E106M	C 10 UF, K, 25V	2	
C4906	F1H1H822A219	E 8200UF, 50V	1	
C4907	ECJ1VF1C104Z	C 0.1UF, Z, 16V	1	

Ref. No.	Part No.	Part Name & Description	Pcs	Remarks
C4908	F1H1H151A792	E 150UF, 50V	1	PAVCA
C4909	F1H1H822A219	E 8200UF, 50V	1	
C4910,11	ECJ1VB1H103K	C 0.001UF, K, 50V	2	
C4912	ECJ3YB1E106M	C 10 UF, K, 25V	1	
C4913	ECJ1VF1C104Z	C 0.1UF, Z, 16V	1	
C4914	EEHBC470P	C 47PF, J, 16V	1	
C4915	ECJ1VF1C104Z	C 0.1UF, Z, 16V	1	
C4917	EEHBC470P	C 47PF, J, 16V	1	
C4918	F1H0J4750004	C 4.7UF, K, 16V	1	
C4919,20	ECJ1VB1E104K	C 0.10UF, K, 25V	2	
C4921	ECJ1VB1H102K	C 1000UF, Z, 50V	1	
C4923,24	ECGRL0G680ER	C 68PF, J, 4V	2	
C4930	ECJ2FB0J106K	C 10UF, Z,6.3V	1	
C4932	ECJ1VF1C104Z	C 0.1UF, Z, 16V	1	
C4940	ECJ2FB0J106K	C 10UF, Z,6.3V	1	
C4943	ECJ1VC1H680J	C 68PF, J, 50V	1	
C4990	ECJ1VB1A105K	C 0.01UF, Z, 50V	1	
C4991	ECJ2FB0J106K	C 10UF, Z,6.3V	1	
C4992,93	ECJ1VF1C104Z	C 0.1UF, Z, 16V	2	
C4994,95	ECJ2FB0J106K	C 10UF, Z,6.3V	2	
C4996	ECJ1VF1C104Z	C 0.1UF, Z, 16V	1	
C4997	ECJ2FB0J106K	C 10UF, Z,6.3V	1	
C4998	ECJ1VF1C104Z	C 0.1UF, Z, 16V	1	
C4999	ECJ1VB1H102K	C 1000UF, Z, 50V	1	
C6001	F1L2J332A022	C 3300UF, K,6.3V	1	
C6002	F1L2J222A022	C 2200UF, K,6.3V	1	
C6011-15	F2A2T201A002	E 200UF,	5	
C6021,22	F1L2J272A022	C 2700UF, K,6.3V	2	
C6031	F0C2E225A218	E 0.022UF, 250V	1	
C6037	F1L1E4750004	C 4.7UF, 25V	1	
C6091	F1L2J1020001	C 1000UF, K,6.3V	1	
C6111,12	F2A2D221A022	E 220UF, 200V	2	
C6132	F1L1E4750004	C 4.7UF, 25V	1	
C6134,35	F1L1E4750004	C 4.7UF, 25V	2	
C6151	ECJ3YB1E105K	C 1UF, K, 25V	1	
C6152-54	F1L1E4750004	C 4.7UF, 25V	3	
C6193-95	F1L1E4750004	C 4.7UF, 25V	3	
C6197	F1L1E4750004	C 4.7UF, 25V	1	
C6201,02	F0C2E405A176	E 0.040UF, 250V	2	
C6209	F1L1E4750004	C 4.7UF, 25V	1	
C6211,12	F1L1E4750004	C 4.7UF, 25V	2	
C6213	F2A1E102A220	E 1000UF, 25V	1	
C6220	F1L2J1020001	C 1000UF, K,6.3V	1	
C6221	ECJ2XB1H104K	C 0.1UF, K, 50V	1	
C6241	F2A1A101A439	E 100UF, 10V	1	
C6242	F1H1C105A072	C 1UF, K, 16V	1	
C6243	ECJ2VB1H103K	C 0.01UF, K, 50V	1	
C6251	F1H1C105A072	C 1UF, K, 16V	1	
C6252	ECJ3YB1E105K	C 1UF, K, 25V	1	
C6261,62	F2A2A221A073	E 220UF, 100V	2	
C6272,73	F2A1E221A487	E 220UF, 25V	2	
C6276	F1L1E4750004	C 4.7UF, 25V	1	
C6286-89	ECJ2XB1H104K	C 0.1UF, K, 50V	4	
C6401	F1L2J332A022	C 3300UF, K,6.3V	1	
C6402	F1L2J222A022	C 2200UF, K,6.3V	1	
C6411-15	F2A2T201A002	E 200UF,	5	
C6421,22	F1L2J272A022	C 2700UF, K,6.3V	2	
C6431	F0C2E405A176	E 0.040UF, 250V	1	

Ref. No.	Part No.	Part Name & Description	Pcs	Remarks
C6480	ECJ2XB1H104K	C 0.1UF, K, 50V	1	
C6502	F1L1E4750004	C 4.7UF, 25V	1	
C6504,05	F1L1E4750004	C 4.7UF, 25V	2	
C6521	ECJ3YB1E105K	C 1UF, K, 25V	1	
C6522	F1L1E4750004	C 4.7UF, 25V	1	
C6524,25	F1L1E4750004	C 4.7UF, 25V	2	
C6527	F1L1E4750004	C 4.7UF, 25V	1	
C6531,32	F0C2E405A176	E 0.040UF, 250V	2	
C6561	F2A1A101A439	E 100UF, 10V	1	
C6562	F1H1C105A072	C 1UF, K, 16V	1	
C6563	F2A1A101A439	E 100UF, 10V	1	
C6564	F1H1C105A072	C 1UF, K, 16V	1	
C6565,66	ECJ2VB1H103K	C 0.01UF, K, 50V	2	
C6581	ECJ3YB1E105K	C 1UF, K, 25V	1	
C6582	F1H1C105A072	C 1UF, K, 16V	1	
C6592	F2A1E221A487	E 220UF, 25V	1	
C6593	ECJ2XC1H102J	C 1000PF, J, 50V	1	
C6603,04	F1K2J102A014	C 1000UF, K,6.3V	2	
C6605,06	F1L2J472A022	C 4700UF, K,6.3V	2	
C6620,21	F1E2J222A002	C 2200PF, 600V	2	
C6641	ECQE2224KF3	P 2.2UF, K,250V	1	
C6661,62	F1K2J102A014	C 1000UF, K,6.3V	2	
C6671	F1L1E4750004	C 4.7UF, 25V	1	
C6691	ECA2CM101	E 100UF, 160V	1	
C6694	ECJ3YB1E105K	C 1UF, K, 25V	1	
C6695	ECJ2XC1H102J	C 1000PF, J, 50V	1	
C6702-06	ECJ2XB1H104K	C 0.1UF, K, 50V	5	
C6708	ECJ2XB1H104K	C 0.1UF, K, 50V	1	
C6721	ECA1HM101	E 100UF, 50V	1	
C6722	ECJ2XC1H101J	C 100PF, J, 50V	1	
C6723-25	F1L1E4750004	C 4.7UF, 25V	3	
C6726,27	F1H1C105A072	C 1UF, K, 16V	2	
C6740	ECJ2XC1H101J	C 100PF, J, 50V	1	
C6752	ECJ3YB1E105K	C 1UF, K, 25V	1	
C6753	F1L1E4750004	C 4.7UF, 25V	1	
C6755,56	F1L1E4750004	C 4.7UF, 25V	2	
C6771	F1H1C105A072	C 1UF, K, 16V	1	
C6772,73	F1L1E4750004	C 4.7UF, 25V	2	
C6775	F1L1E4750004	C 4.7UF, 25V	1	
C6776,77	ECJ2XB1H104K	C 0.1UF, K, 50V	2	
C6791	F2A1E221A487	E 220UF, 25V	1	
C6795,96	F2A1E221A487	E 220UF, 25V	2	
C6801	F2A2E470A022	E 47UF, 250V	1	
C6803	ECKD3D221KBP	C 220PF, K, 2KV	1	
C6804	F2A2E100A022	E 10UF, 250V	1	
C6805	ECJ2XC1H331J	C 330PF, J, 50V	1	
C6806	ECA2CM101	E 100UF, 160V	1	
C6811	ECJ3YB1E105K	C 1UF, K, 25V	1	
C6812	F1L1E4750004	C 4.7UF, 25V	1	
C6813	ECA2CM101	E 100UF, 160V	1	
C6814	F2A1E221A487	E 220UF, 25V	1	
C6815	ECJ2XC1H102J	C 1000PF, J, 50V	1	
C6822	F2A2G470A018	E 470UF, 400V	1	
C6823	ECJ2VB1H103K	C 0.01UF, K, 50V	1	
C6832	ECJ2XB1H392K	C 3900PF, K, 50V	1	
C6841	F2A2E470A022	E 47UF, 250V	1	
C6842	ECA2CM101	E 100UF, 160V	1	
C6845	ECJ2VB1H103K	C 0.01UF, K, 50V	1	
C6861	F1H1C105A072	C 1UF, K, 16V	1	
C6862	ECJ3YB1E105K	C 1UF, K, 25V	1	
C6863	ECJ2VB1H103K	C 0.01UF, K, 50V	1	

Ref. No.	Part No.	Part Name & Description	Pcs	Remarks
C6871	F1H1C105A072	C 1UF, K, 16V	1	
C6872	ECJ3YB1E105K	C 1UF, K, 25V	1	
C6873	ECJ2VB1H103K	C 0.01UF, K, 50V	1	
C6901	ECJ2XB1H102K	C 1000PF, K, 50V	1	
C6902	TCUY1C105ZFN	C 1UF, 16V	1	
C6904	TCUY1C105ZFN	C 1UF, 16V	1	
C6906	TCUY1C105ZFN	C 1UF, 16V	1	
C6908	TCUY1C105ZFN	C 1UF, 16V	1	
C6910	TCUY1C105ZFN	C 1UF, 16V	1	
C6912	TCUY1C105ZFN	C 1UF, 16V	1	
C6921	F1L2E1040002	E 1000UF, 25V	1	
C6923,24	F1L2E1040002	E 1000UF, 25V	2	
C6926,27	F1L2E1040002	E 1000UF, 25V	2	
C6929	F1L2E1040002	E 1000UF, 25V	1	
C6931	ECJ2XB1H102K	C 1000PF, K, 50V	1	
C6936	ECJ2XB1H681K	C 680PF, K, 50V	1	
C6937	ECJ2VB1H221K	C 220PF, K, 50V	1	
C6951	ECJ2XB1H102K	C 1000PF, K, 50V	1	
C6952	TCUY1C105ZFN	C 1UF, 16V	1	
C6955	TCUY1C105ZFN	C 1UF, 16V	1	
C6957,58	TCUY1C105ZFN	C 1UF, 16V	2	
C6961	TCUY1C105ZFN	C 1UF, 16V	1	
C6963	TCUY1C105ZFN	C 1UF, 16V	1	
C6971	F1L2E1040002	E 1000UF, 25V	1	
C6973,74	F1L2E1040002	E 1000UF, 25V	2	
C6976,77	F1L2E1040002	E 1000UF, 25V	2	
C6979	F1L2E1040002	E 1000UF, 25V	1	
C6981	ECJ2XB1H102K	C 1000PF, K, 50V	1	
C6986	ECJ2XB1H681K	C 680PF, K, 50V	1	
C6987	ECJ2VB1H221K	C 220PF, K, 50V	1	
C7110	F1H1C105A072	C 1UF, K, 16V	1	
C7114	F1H1C105A072	C 1UF, K, 16V	1	
C7116	F1H1C105A072	C 1UF, K, 16V	1	
C7117	ECJ1XC1H101J	C 100PF, J, 50V	1	
C7118	F1K2A474A006	C 0.47UF, 6.3V	1	
C7121	F1H1C105A072	C 1UF, K, 16V	1	
C7123	F1H1C105A072	C 1UF, K, 16V	1	
C7124	ECJ1XC1H101J	C 100PF, J, 50V	1	
C7125	F1K2A474A006	C 0.47UF, 6.3V	1	
C7126	F1H1C105A072	C 1UF, K, 16V	1	
C7127	ECJ1XC1H101J	C 100PF, J, 50V	1	
C7128	F1K2A474A006	C 0.47UF, 6.3V	1	
C7130	ECJ1XB1C104K	C 0.1UF, Z, 16V	1	
C7140	F1H1C105A072	C 1UF, K, 16V	1	
C7141	ECJ1XC1H101J	C 100PF, J, 50V	1	
C7142	F1K2A474A006	C 0.47UF, 6.3V	1	
C7145	F1H1C105A072	C 1UF, K, 16V	1	
C7148	ECJ1XB1C104K	C 0.1UF, Z, 16V	1	
C7150-53	F1K2A474A006	C 0.47UF, 6.3V	4	
C7203	F1H1C105A072	C 1UF, K, 16V	1	
C7207	F1H1C105A072	C 1UF, K, 16V	1	
C7209	F1H1C105A072	C 1UF, K, 16V	1	
C7210	ECJ1XC1H101J	C 100PF, J, 50V	1	
C7211	F1K2A474A006	C 0.47UF, 6.3V	1	
C7214	F1H1C105A072	C 1UF, K, 16V	1	
C7216	F1H1C105A072	C 1UF, K, 16V	1	
C7217	ECJ1XC1H101J	C 100PF, J, 50V	1	
C7218	F1K2A474A006	C 0.47UF, 6.3V	1	
C7219	F1H1C105A072	C 1UF, K, 16V	1	
C7220	ECJ1XC1H101J	C 100PF, J, 50V	1	
C7221	F1K2A474A006	C 0.47UF, 6.3V	1	
C7229	ECJ1XB1C104K	C 0.1UF, Z, 16V	1	
C7230-33	F1K2A474A006	C 0.47UF, 6.3V	4	
C7235	F1H1C105A072	C 1UF, K, 16V	1	
C7236	ECJ1XC1H101J	C 100PF, J, 50V	1	
C7237	F1K2A474A006	C 0.47UF, 6.3V	1	
C7240	F1H1C105A072	C 1UF, K, 16V	1	

Ref. No.	Part No.	Part Name & Description	Pcs	Remarks
C7242	FLK2A474A006	C 0.47UF, 6.3V	1	
C7244, 45	ECJ1XB1C104K	C 0.1UF, Z, 16V	2	
C8003	ECJ1VF1C104Z	C 0.1UF, Z, 16V	1	
C8005	ECJ1VB1H103K	C 0.001UF, K, 50V	1	
C8007	ECJ1XC1H101J	C 100PF, J, 50V	1	
C8009	ECJ3XB0J106M	C 10UF, M, 6.3V	1	
C8013	ECJ1VF1C104Z	C 0.1UF, Z, 16V	1	
C8015	ECJ3YF1A106Z	C 10UF, Z, 10V	1	
C8016	ECJ3YB1A475K	C 0.047UF, K, 10V	1	
C8019	ECJ1VB1H103K	C 0.001UF, K, 50V	1	
C8021	ECJ3VB1C474K	C 0.47UF, K, 16V	1	
C8023	ECJ1VB1H103K	C 0.001UF, K, 50V	1	
C8025	ECJ1VB1H103K	C 0.001UF, K, 50V	1	
C8027	ECJ3XB1C225K	C 22UF, K, 16V	1	
C8029	ECJ1VB1H103K	C 0.001UF, K, 50V	1	
C8030	EEH1C470P	C 47PF, J, 16V	1	
C8033	ECJ1XC1H102J	C 1000PF, J, 50V	1	
C8035	ECJ1VF1C104Z	C 0.1UF, Z, 16V	1	
C8036	ECJ1XC1H101J	C 100PF, J, 50V	1	
C8038	ECJ1XC1H102J	C 1000PF, J, 50V	1	
C8045	FLJ1C1050030	C 1UF, Z, 16V	1	PAVCA
C8049	ECJ1VB1H103K	C 0.001UF, K, 50V	1	
C8051	ECJ1VF1C104Z	C 0.1UF, Z, 16V	1	
C8070	ECJ1VB1E104K	C 0.10UF, K, 25V	1	
C8072, 73	ECJ3YF1A106Z	C 10UF, Z, 10V	2	
C8074, 75	ECJ1XC1H102J	C 1000PF, J, 50V	2	
C8080-83	ECJ1VF1C104Z	C 0.1UF, Z, 16V	4	
C8084	TCUY1C105ZFN	C 1UF, 16V	1	
C8100	EEH1C470P	C 47PF, J, 16V	1	
C8101	ECJ1VB1H103K	C 0.001UF, K, 50V	1	
C8102, 03	EEH1C470P	C 47PF, J, 16V	2	
C8106	EEH1C470P	C 47PF, J, 16V	1	
C8107	EEH1C471P	E 470UF, 16V	1	
C8108, 09	ECJ1VF1C104Z	C 0.1UF, Z, 16V	2	
C8111-13	ECJ1VF1C104Z	C 0.1UF, Z, 16V	3	
C8115	EEH1C470P	C 47PF, J, 16V	1	
C8116	ECJ1VB1H103K	C 0.001UF, K, 50V	1	
C8120	F2H1E471A010	E 470UF, 25V	1	
C8121	ECJ3YF1E225Z	C 2.2UF, Z, 25V	1	
C8122	EEH1C470P	C 47PF, J, 16V	1	
C8123	ECJ1VF1C104Z	C 0.1UF, Z, 16V	1	
C8181, 82	ECJ1VC1H150J	C 15PF, J, 50V	2	
C8183	ECJ1VF1C104Z	C 0.1UF, Z, 16V	1	
C8185	EECS5R5H155	E 1.5UF, 5.5V	1	
C8200	EEH1C470P	C 47PF, J, 16V	1	
C9028, 29	FLJ1A106A043	C 0.010UF, K, 10V	2	
C9033, 34	FIG1C104A083	C 0.10UF, K, 16V	2	
C9035, 36	FLJ1A106A043	C 0.010UF, K, 10V	2	
C9037	FIG1E1030005	C 0.01UF, Z, 25V	1	
C9039	FLJ1A106A043	C 0.010UF, K, 10V	1	
C9040	FIG1C104A083	C 0.10UF, K, 16V	1	
C9044	ECJ2YB0J475K	C 3.3UF, Z, 4.7V	1	
C9045-53	FIG1C104A083	C 0.10UF, K, 16V	9	
C9055-57	FIG1C104A083	C 0.10UF, K, 16V	3	
C9058	FLJ1A106A043	C 0.010UF, K, 10V	1	
C9061	FIG1C104A077	C 0.10UF, K, 16V	1	
C9062	ECJ2YB0J475K	C 3.3UF, Z, 4.7V	1	
C9063	FIG1C104A083	C 0.10UF, K, 16V	1	
C9468	FIG1E1030005	C 0.01UF, Z, 25V	1	
C9469	FIG1C104A083	C 0.10UF, K, 16V	1	
C9500	FIG1C104A077	C 0.10UF, K, 16V	1	
C9505	FIG1C104A077	C 0.10UF, K, 16V	1	
C9508	FIG1C104A077	C 0.10UF, K, 16V	1	

Ref. No.	Part No.	Part Name & Description	Pcs	Remarks
C9509, 10	FIG1H120A565	E 12UF, 50V	2	
C9511	FLJ1A106A043	C 0.010UF, K, 10V	1	
C9516-25	FIG1C104A077	C 0.10UF, K, 16V	10	
C9526	FLJ1A106A043	C 0.010UF, K, 10V	1	
C9527, 28	FIG1C104A077	C 0.10UF, K, 16V	2	
C9531	FLJ1A106A043	C 0.010UF, K, 10V	1	
C9559-64	FIG1C104A077	C 0.10UF, K, 16V	6	
C9823	ECJ3YB1E106M	C 10 UF, K, 25V	1	
C9825	FIG1H101A565	C 100PF, K, 50V	1	
C9832	FLJ1A106A043	C 0.010UF, K, 10V	1	
C9837	FLJ1A106A043	C 0.010UF, K, 10V	1	
C9838	FIG1C104A083	C 0.10UF, K, 16V	1	
C9840	FIG1E1030005	C 0.01UF, Z, 25V	1	
C9841-43	FIG1C104A083	C 0.10UF, K, 16V	3	
C9844	FIG1E1030005	C 0.01UF, Z, 25V	1	
C9845	FIG1C104A083	C 0.10UF, K, 16V	2	
C9858	ECJ3YB1E106M	C 10 UF, K, 25V	1	
C9859	FIG1E1030005	C 0.01UF, Z, 25V	1	
C9860	ECJ2YB0J475K	C 3.3UF, Z, 4.7V	1	
C9861, 62	ECJ1VB1E104K	C 0.10UF, K, 25V	2	
C9863	ECJ2YB0J475K	C 3.3UF, Z, 4.7V	1	
C9864	ECJ1VB1E104K	C 0.10UF, K, 25V	1	
C9865, 66	ECGRLOG680ER	C 68PF, J, 4V	2	
C9867-72	ECJ3YB1E106M	C 10 UF, K, 25V	6	
C9873	ECGRLOG680ER	C 68PF, J, 4V	1	
C9874	FIG1H680A565	E 68UF, 50V	1	
C9877	FIG1H680A565	E 68UF, 50V	1	
C9878	FIG1E1030005	C 0.01UF, Z, 25V	1	
C9879, 80	FIG1E822A086	C 8200UF, Z, 25V	2	
C9881	FIG1E1030005	C 0.01UF, Z, 25V	1	
C9882	FIG1E822A086	C 8200UF, Z, 25V	1	
C9883	FIG1H101A565	C 100PF, K, 50V	1	
C9884, 85	FIG1H1020008	E 1000UF, 50V	2	
C9886, 87	ECJ1VB1E104K	C 0.10UF, K, 25V	2	
C9888	FIG1H361A565	E 360UF, 50V	1	
C9900-25	FIG1C104A077	C 0.10UF, K, 16V	26	
C9927-51	FIG1C104A077	C 0.10UF, K, 16V	25	
C9955-59	FIG1C104A077	C 0.10UF, K, 16V	5	
C9960-64	FLJ1A106A043	C 0.010UF, K, 10V	5	
C9966, 67	FIG1C104A077	C 0.10UF, K, 16V	2	
CB1-B8	K1MN68BA0052	68P CONNECTOR	8	
D5	K1KB31BA0064	31P CONNECTOR	1	
D6	K1KA21A00011	21P CONNECTOR	1	
D9	K1KA07A00292	7P CONNECTOR	1	
D20	K1KY30BA0090	30P CONNECTOR	1	
D25	K1KA13B00069	13P CONNECTOR	1	
D31, 32	K1MN55BA0257	55P CONNECTOR	2	
D401	B0FBBT000008	DIODE	1	△
D404	B0EBKT000007	DIODE	1	△
D407, 08	B0ACDJ000010	DIODE	2	
D411	B0BB17000009	DIODE	1	
D415	B0JAME000099	DIODE	1	
D416	B0HAMP000067	DIODE	1	
D417	B0EAMR000009	DIODE	1	
D418	B0BC6R100013	ZENER DIODE	1	
D419, 20	B0EAMR000009	DIODE	2	
D423	MA188	DIODE	1	

Ref. No.	Part No.	Part Name & Description	Pcs	Remarks
D425	MA188	DIODE	1	
D429	B0EAKT000048	DIODE	1	
D431	B0JCDD000002	DIODE	1	
D433	B0BC01400033	ZENER DIODE	1	
D435	B0EAKT000048	DIODE	1	
D436	B0AACK000004	DIODE	1	
D436	MA165TA5	DIODE	1	
D438	B0BC02000014	ZENER DIODE	1	
D439	B0EAKT000048	DIODE	1	
D441	B0HAMM000122	DIODE	1	
D444	B0HAMM000122	DIODE	1	
D445	MTZJ10B	ZENER DIODE	1	
D450	MA188	DIODE	1	
D501	B0EAMR000010	DIODE	1	
D503	B0AACK000004	DIODE	1	
D503	MA165TA5	DIODE	1	
D504	B0AACK000004	DIODE	1	
D504	MA165TA5	DIODE	1	
D506	B0ACDJ000010	DIODE	1	
D507,08	B0BC7R400023	ZENER DIODE	2	
D509	B0JANG000018	DIODE	1	
D511	B0JAML000011	DIODE	1	
D512	B0ACDJ000010	DIODE	1	
D516-18	B0BA03300004	ZENER DIODE	3	
D520	B0ACDJ000010	DIODE	1	
D521	B0JAME000099	DIODE	1	
D522,23	B0JCDD000002	DIODE	2	
D524	B0AACK000004	DIODE	1	
D524	MA165TA5	DIODE	1	
D531	B0HBSN000013	DIODE	1	
D535	MA188	DIODE	1	
D536	B0JBSG000026	DIODE	1	
D538	B0BC5R100039	ZENER DIODE	1	
D539,40	B0HARR000019	DIODE	2	
D543	B0BC01400033	ZENER DIODE	1	
D544,45	B0BA02100001	ZENER DIODE	2	
D546	B0BA02800001	ZENER DIODE	1	
D549	B0BC02500008	ZENER DIODE	1	
D569,70	B0BA05100010	ZENER DIODE	2	
D579	B0AACK000004	DIODE	1	
D582	MAZ705600F	ZENER DIODE	1	
D584	MAZ706200F	ZENER DIODE	1	
D586	B0HAMP000067	DIODE	1	
D598	B0BC5R100039	ZENER DIODE	1	
D599	B0JCND000009	DIODE	1	
D600	B0BC7R400023	ZENER DIODE	1	
D601	B0BC5R100039	ZENER DIODE	1	
D602	B0BC8R100013	ZENER DIODE	1	
D603	B0BA01900005	ZENER DIODE	1	
D701,02	B0BC5R100039	ZENER DIODE	2	
D703	B0EAKT000048	DIODE	1	
D801	B0JCPD000026	DIODE	1	
D802,03	B0JCME000037	DIODE	2	
D805-10	B0JCPE000004	DIODE	6	
D811	MA2J11100L	DIODE	1	
D2301-03	B0JCME000037	DIODE	3	
D2512	MA8043LTX	ZENER DIODE	1	
D2520	LNJ107W5PRW	LED	1	
D2524	MAZ80560ML	ZENER DIODE	1	
D3001	MA2J11100L	DIODE	1	
D3003,04	MA2J11100L	DIODE	2	
D3061	MA2J72800L	DIODE	1	
D3504	MA3056MTX	ZENER DIODE	1	
D3507-10	MA8160H	ZENER DIODE	4	
D4701	MA2J72800L	DIODE	1	
D4704	MA3033	ZENER DIODE	1	
D4709	MA2J72800L	DIODE	1	
D4711-13	MA152K	DIODE	3	
D4721	MA3036H	ZENER DIODE	1	

Ref. No.	Part No.	Part Name & Description	Pcs	Remarks
D4732-35	MA152K	DIODE	4	
D4901	B0JCGD000002	DIODE	1	
D4902	MA22D3900L	DIODE	1	
D4903	B0JCGD000002	DIODE	1	
D4904	MA22D3900L	DIODE	1	
D6001	B0HBSN000008	DIODE	1	
D6021	MA3DF30000LZ	ZENER DIODE	1	
D6024,25	B0ECHP000003	DIODE	2	
D6032	MA2J11100L	DIODE	1	
D6061,62	MA3DF30000LZ	ZENER DIODE	2	
D6071,72	B0HBSN000008	DIODE	2	
D6082	MA3DF30000LZ	ZENER DIODE	1	
D6091	B0HBSN000008	DIODE	1	
D6092	B0ECHP000003	DIODE	1	
D6101	B0JCME000037	DIODE	1	
D6104	B0JCME000037	DIODE	1	
D6131,32	B0ECHP000003	DIODE	2	
D6151-53	B0ECHP000003	DIODE	3	
D6191	B0ECHP000003	DIODE	1	
D6193	B0ECHP000003	DIODE	1	
D6211	B0JCME000037	DIODE	1	
D6221	B0ECHP000003	DIODE	1	
D6222,23	MA2J11100L	DIODE	2	
D6253	LNJ301MPUJA	LED	1	
D6254	MAZ80510LL	ZENER DIODE	1	
D6255	MA2J11100L	DIODE	1	
D6273	MA2J11100L	DIODE	1	
D6275	MA8068M	ZENER DIODE	1	
D6276	MA3X152A0L	DIODE	1	
D6278	MA3X152A0L	DIODE	1	
D6280	MAZ80510LL	ZENER DIODE	1	
D6281	B0JCME000037	DIODE	1	
D6401,02	B0HBSN000008	DIODE	2	
D6422	MA3DF40000LZ	ZENER DIODE	1	
D6441	B0ECHP000003	DIODE	1	
D6451	B0ECHP000003	DIODE	1	
D6461,62	MA3DF30000LZ	ZENER DIODE	2	
D6466	MA2J11100L	DIODE	1	
D6471	B0HBSN000008	DIODE	1	
D6472	B0ECHP000003	DIODE	1	
D6477	MA2J11100L	DIODE	1	
D6478	B0HCKS000002	DIODE	1	
D6480	MA2J11100L	DIODE	1	
D6481	MA3DF30000LZ	ZENER DIODE	1	
D6491	MA3DF40000LZ	ZENER DIODE	1	
D6497	B0ECHP000003	DIODE	1	
D6501	B0ECHP000003	DIODE	1	
D6503	B0ECHP000003	DIODE	1	
D6521-23	B0ECHP000003	DIODE	3	
D6583	LNJ301MPUJA	LED	1	
D6584	MAZ80510LL	ZENER DIODE	1	
D6585	MA2J11100L	DIODE	1	
D6604	MA2J11100L	DIODE	1	
D6605	MAZ80510LL	ZENER DIODE	1	
D6606	B0HCKM000014	DIODE	1	
D6607	MA2J11100L	DIODE	1	
D6619	B0HCKS000002	DIODE	1	
D6621	B0HDSM000005	DIODE	1	
D6623,24	B0HDSM000005	DIODE	2	
D6631,32	MA8240MTX	ZENER DIODE	2	
D6641,42	B0HCKS000002	DIODE	2	
D6643	B0JCME000037	DIODE	1	
D6644	B0HCKS000002	DIODE	1	

Ref. No.	Part No.	Part Name & Description	Pcs	Remarks
D6661	MA2J11100L	DIODE	1	
D6662-64	MA8330M	ZENER DIODE	3	
D6665	MAZ80510LL	ZENER DIODE	1	
D6666, 67	MA2J11100L	DIODE	2	
D6670, 71	B0JCME000037	DIODE	2	
D6690	MA2J11100L	DIODE	1	
D6691, 92	MA8200M	ZENER DIODE	2	
D6701	MA8056H	ZENER DIODE	1	
D6702, 03	MA2J11100L	DIODE	2	
D6721	BOHCKS000002	DIODE	1	
D6722	MA2J11100L	DIODE	1	
D6725	B0ECHP000003	DIODE	1	
D6726-33	MA8056H	ZENER DIODE	8	
D6761	B0JCME000037	DIODE	1	
D6763	B0ECHP000003	DIODE	1	
D6764	BOHCKS000002	DIODE	1	
D6765, 66	B0ECHP000003	DIODE	2	
D6773	BOHCKS000002	DIODE	1	
D6791	MA8200M	ZENER DIODE	1	
D6802	BOBC01000044	ZENER DIODE	1	
D6804	B0ECHP000003	DIODE	1	
D6805	MA8240MTX	ZENER DIODE	1	
D6806	BOHCKS000002	DIODE	1	
D6809	BOHCMM000014	DIODE	1	
D6820-23	MA2J11100L	DIODE	4	
D6824, 25	MA8330M	ZENER DIODE	2	
D6826	MA2J11100L	DIODE	1	
D6827, 28	MA8330M	ZENER DIODE	2	
D6830	MA8056H	ZENER DIODE	1	
D6836	MAZ81500ML	ZENER DIODE	1	
D6837	MA2J11100L	DIODE	1	
D6838	BOBC027A0234	ZENER DIODE	1	
D6839	B0ECHP000003	DIODE	1	
D6841	BOHCKS000002	DIODE	1	
D6842, 43	MA2J11100L	DIODE	2	
D6859	B0ECHP000003	DIODE	1	
D6860	BOHCKS000002	DIODE	1	
D6861	MAZ80510LL	ZENER DIODE	1	
D6862	MA2J11100L	DIODE	1	
D6871	MAZ80510LL	ZENER DIODE	1	
D6872	MA2J11100L	DIODE	1	
D6901, 02	MA8056H	ZENER DIODE	2	
D6903-05	B0HCMM000013	DIODE	3	
D6951, 52	MA8056H	ZENER DIODE	2	
D6953-55	B0HCMM000013	DIODE	3	
D7103-10	B0HCMM000014	DIODE	8	
D7201-08	B0HCMM000014	DIODE	8	
D8001	MA2J11100L	DIODE	1	
D8003	MA2J11100L	DIODE	1	
D8010, 11	MA153A	DIODE	2	
D8180	MA2J11100L	DIODE	1	
D8181	MAZ80560ML	ZENER DIODE	1	
D8184, 85	MAZ80560ML	ZENER DIODE	2	
D8200	MAZ31600ML	ZENER DIODE	1	
D8201	MA2J11100L	DIODE	1	
D8203	MA3100M	ZENER DIODE	1	
D8204	MA2J11100L	DIODE	1	
D8209	MA2J11100L	DIODE	1	

Ref. No.	Part No.	Part Name & Description	Pcs	Remarks
D8210	MA3100M	ZENER DIODE	1	
D8211	MA2J11100L	DIODE	1	
D8212	MAZ80560ML	ZENER DIODE	1	
D8213	MA2J11100L	DIODE	1	
D9017-19	MA3033	ZENER DIODE	3	
D9020	B0JCCE000008	DIODE	1	
D9110	B0JCGD000002	DIODE	1	
D9802	B0JCCE000008	DIODE	1	
D9804	B0JCCE000008	DIODE	1	
D9807, 08	B0JCCE000008	DIODE	2	
D9811	B0JCCE000008	DIODE	1	
D9812	MA22D3900L	DIODE	1	
D9813-15	B0JCGD000002	DIODE	3	
D9816, 17	MA22D3900L	DIODE	2	
DN1	K1MN80BA0076	80P CONNECTOR	1	
DN4	K1KA14A00248	14P CONNECTOR	1	
DN6	K1KB31BA0064	31P CONNECTOR	1	
DN11	K1KA21A00011	21P CONNECTOR	1	
DS1	K1MN80BA0076	80P CONNECTOR	1	
DS2	K1KA06BA0047	6P CONNECTOR	1	
DS4	K1KA11BA0051	11P CONNECTOR	1	
DS6	K1KA10BA0051	10P CONNECTOR	1	
DS7, 88	K1KA03BA0055	3P CONNECTOR	2	
DS11-13	K1KB80B00024	80P CONNECTOR	3	
DS14	K1KA15AA0194	CONNECTOR	1	
DS15	K1KA03BA0047	3P CONNECTOR	1	
FL3000-15	F1J1E1040022	C 0.10UF, Z, 25V	16	
FL3510-17	TAXA0024	LC FILTER	8	
FL4001	J0MAB0000175	LC FILTER	1	
FL4502-04	F1J1E1040022	C 0.10UF, Z, 25V	3	
FL4707-10	F1J1E1040022	C 0.10UF, Z, 25V	4	
FL7101	J0HABH000013	LC FILTER	1	
FL7201	J0HABH000013	LC FILTER	1	
FL9300, 01	F1J1E104A148	C 0.10UF, Z, 25V	2	
FL9504	F1J1E104A148	C 0.10UF, Z, 25V	1	
FL9803	F1J1E104A148	C 0.10UF, Z, 25V	1	
FL9805, 06	F1J1E104A148	C 0.10UF, Z, 25V	2	
FL9900-04	F1J1E104A148	C 0.10UF, Z, 25V	5	
GK3	K1KA03BA0061	3P CONNECTOR	1	
HX1	K1KA15AA0194	CONNECTOR	1	
IC401	CNC1S171R	IC	1	△
IC403	CNC1S171R	IC	1	△
IC406	C0DBZZZ00082	IC	1	
IC408	B3PBA0000459	IC	1	△
IC409	MIP3E30MPSCF	IC	1	△
IC411	C0DAEMZ00001	IC	1	
IC412	CNC1S171R	IC	1	△
IC501	C2ABDB000114	IC	1	
IC502	C0EBH0000210	IC	1	
IC504	C0DAEMZ00001	IC	1	
IC505	B3PBA0000459	IC	1	△
IC506	C0DAEMZ00001	IC	1	
IC507	B3PBA0000459	IC	1	△
IC508	C0DAEMZ00001	IC	1	
IC509	C0BBAA000039	IC	1	
IC510	C0DBAZG00034	IC	1	
IC511-13	C0DAEMZ00001	IC	3	

Ref. No.	Part No.	Part Name & Description	Pcs	Remarks
IC520	C9ZB00000561	IC	1	
IC801-03	C0DBAMH00018	IC	3	
IC804	C0CBCAC00275	IC	1	
IC2301, 02	C1AB00002534	IC	2	
IC2303	C1BB00001006	IC	1	
IC2305	C0ABBA000168	IC	1	
IC3001	C1AB00002530	IC	1	
IC3002	C0JBBR000002	IC	1	
IC3003	CXA1315M	LINEAR IC	1	
IC3004	CXA1875AM	LINEAR IC	1	
IC3005	C1AB00002529	IC	1	
IC3006	MC14052BF	MOS IC (CMOS GATE ARRAY)	1	
IC3007, 08	C0JBAS000215	IC	2	
IC3101	C1AB00002238	IC	1	
IC3153	C0JBAZ001120	IC	1	
IC3502	C3EBDC000067	IC	1	
IC4001	C0FBAY000012	IC	1	
IC4002	C0CBCBE00001	IC	1	
IC4031, 32	C0JBAE000354	IC	2	
IC4201	C1ZBZ0003233	IC	1	
IC4301	C0JBAP000020	IC	1	
IC4500	C1ZBZ0003478	IC	1	
IC4501	MN845111-A	IC	1	
IC4502	C3ABQJ000031	IC	1	
IC4701	MN103SB30RGL	IC	1	
IC4702	TVRP384	IC	1	PAVCA
IC4703	C3EBKC000014	IC	1	
IC4704	C0EBE0000447	IC	1	
IC4711	C0JBAE000354	IC	1	
IC4714	C0JBAB000388	IC	1	
IC4715	C0JBAE000354	IC	1	
IC4721	C1ZBZ0003577	IC	1	
IC4803	C0JBAS000215	IC	1	
IC4901	C0DBAYY00274	IC	1	
IC4953	C0CBCAD00016	IC	1	
IC4954	C0DBZFF00004	IC	1	
IC4956	C0CBCBC00190	IC	1	
IC6131	C0ZBZ0000895	IC	1	
IC6151	C0ZBZ0001324	IC	1	
IC6191	C0ZBZ0000895	IC	1	
IC6211	C0ZBZ0001325	IC	1	
IC6221	C0DBEMC00043	IC	1	
IC6241	C0JBAS000005	IC	1	
IC6251	NJM2903M	INTEGRATED CIRCUIT	1	
IC6471	C0DBEKA00003	IC	1	
IC6472	C0JBAA000377	IC	1	
IC6501	C0ZBZ0000895	IC	1	
IC6521	C0ZBZ0001324	IC	1	
IC6561, 62	C0JBAS000005	IC	2	
IC6581	NJM2903M	INTEGRATED CIRCUIT	1	
IC6671	C0ZBZ0001325	IC	1	
IC6721, 22	C0JBAS000994	IC	2	
IC6724, 25	C0CBADC00072	IC	2	
IC6752	C0ZBZ0001324	IC	1	
IC6771	C0CBADC00072	IC	1	
IC6772	C0ZBZ0001325	IC	1	
IC6773, 74	C0JBAA000377	IC	2	
IC6791	N0BF1FB00001	IC	1	
IC6801, 02	C0DBEMC00043	IC	2	
IC6803	C5HABZZ00165	IC	1	
IC6821	C0DBEMC00043	IC	1	
IC6841	C0DBEMC00043	IC	1	
IC6861	NJM2903M	INTEGRATED CIRCUIT	1	
IC6871	NJM2903M	INTEGRATED CIRCUIT	1	

Ref. No.	Part No.	Part Name & Description	Pcs	Remarks
IC6901-06	AN16077A-VT	IC	6	
IC6951-56	AN16077A-VT	IC	6	
IC7101, 02	C0JBAZ001120	IC	2	
IC7201, 02	C0JBAZ001120	IC	2	
IC7204	C0JBAZ001120	IC	1	
IC8001	MC14052BF	MOS IC (CMOS GATE ARRAY)	1	
IC8003	C1AA00000706	IC	1	
IC8005	C0JBAB000646	IC	1	
IC8007	C0JBAR000419	IC	1	
IC8009	C0JBAS000251	IC	1	
IC8014	C0ZBZ0001361	IC	1	
IC8017, 18	C0JBAB000715	IC	2	
IC8100	C0CBAKD00001	IC	1	
IC8181	C1DB00001208	IC	1	
IC9001	TVRP497	IC	1	PAVCA
IC9002	C1ZBZ0003577	IC	1	
IC9003	MNZSFC9GPH2	IC	1	
IC9007	TVRP210-3	IC	1	
IC9011	C0EBF0000431	IC	1	
IC9013	C0JBAS002060	IC	1	
IC9200	C1ZBZ0003600	IC	1	
IC9303	TVRP215-3	IC	1	
IC9500	C1ZBZ0003575	IC	1	
IC9802, 03	C0JBAS001120	IC	2	
IC9805	C0DBAYY00274	IC	1	
IC9806	C0DBAYY00273	IC	1	
IC9900	MN84524	IC	1	
IC9901	C3ABQJ000048	IC	1	
J410	D0X0R0000056	M 0 OHM, J, 1/10W	1	
JAL-16	ERJ6GEY0R00V	M 0 OHM, 1/10W	16	
JK3509	K1FA109B0062	CONNECTOR	1	
JK3511	K1FB115BA020	CONNECTOR	1	
JK3513	K2HC103B0105	JACK	1	
K1	K1KY12B00001	12P CONNECTOR	1	
L403	EXCELSA35	BEAD CHOKE	1	
L404, 05	G0B123K00004	CHOKE COIL	2	△
L406	J0JCC0000004	CHIP INDUCTOR	1	
L410	G0B353D00002	CHOKE COIL	1	△
L511	G0A470ZA0035	CHOKE COIL	1	
L512	G0C4R7JA0021	PEAKING COIL	1	
L514	G0A100GA0013	CHOKE COIL	1	
L515	J0JKB0000037	FLAT CORE	1	
L518	J0JCC0000004	CHIP INDUCTOR	1	
L801	G1A101ZA0007	CHOKE COIL	1	
L802	G1C101MA0167	INDUCTION COIL	1	
L803	G1C220MA0167	INDUCTION COIL	1	
L804, 05	J0JHC0000078	CHIP INDUCTOR	2	
L807-11	J0JHC0000078	CHIP INDUCTOR	5	
L2330, 31	G0A221ZA0041	CHOKE COIL	2	
L3002	G1C100K00020	INDUCTION COIL	1	
L3005, 06	G1C100K00020	INDUCTION COIL	2	
L3050	G1C100K00020	INDUCTION COIL	1	
L3140	J0JHC0000078	CHIP INDUCTOR	1	
L3526	ELJPA100KFB	CHIP INDUCTOR	1	
L3555	ELJPA100KFB	CHIP INDUCTOR	1	
L4206	J0JHC0000096	CHIP INDUCTOR	1	
L4301-03	J0JHC0000078	CHIP INDUCTOR	3	
L4501	G1C150KA0038	INDUCTION COIL	1	
L4502-05	J0JHC0000096	CHIP INDUCTOR	4	

Ref. No.	Part No.	Part Name & Description	Pcs	Remarks
L4701-04	J0JHC0000096	CHIP INDUCTOR	4	
L4901	G1C1R8MA0248	CHOKE COIL	1	PAVCA
L4902	G1C2R2MA0248	INDUCTION COIL	1	
L6000	J0JJC0000015	CHIP INDUCTOR	1	
L6001-03	ELC13P1R9	CHOKE COIL	3	
L6010	J0JJC0000015	CHIP INDUCTOR	1	
L6011-13	ELC13P1R9	CHOKE COIL	3	
L6045-48	GOZZ00002183	PEAKING COIL	4	
L6057,58	GOZZ00002183	PEAKING COIL	2	
L6061-64	GOZZ00002183	PEAKING COIL	4	
L6083,84	GOZZ00002183	PEAKING COIL	2	
L6101	J0JJC0000015	CHIP INDUCTOR	1	
L6103	GOZZ00002183	PEAKING COIL	1	
L6106	J0JJC0000015	CHIP INDUCTOR	1	
L6212	J0JJC0000015	CHIP INDUCTOR	1	
L6221	GOZZ00002183	PEAKING COIL	1	
L6241	GOZZ00002183	PEAKING COIL	1	
L6262	GOZZ00002183	PEAKING COIL	1	
L6271	GOZZ00002183	PEAKING COIL	1	
L6401-03	ELC13P1R9	CHOKE COIL	3	
L6411-13	ELC13P1R9	CHOKE COIL	3	
L6461-68	GOZZ00002183	PEAKING COIL	8	
L6472	GOZZ00002183	PEAKING COIL	1	
L6474	GOZZ00002183	PEAKING COIL	1	
L6481,82	GOZZ00002183	PEAKING COIL	2	
L6485,86	GOZZ00002183	PEAKING COIL	2	
L6591,92	GOZZ00002183	PEAKING COIL	2	
L6601,02	GOZZ00002183	PEAKING COIL	2	
L6690	GOZZ00002183	PEAKING COIL	1	
L8001	G1C100K00020	INDUCTION COIL	1	
L8003	G1C100K00020	INDUCTION COIL	1	
L8005	G1C100K00020	INDUCTION COIL	1	
L8101-08	J0JHC0000078	CHIP INDUCTOR	8	
L9500	G1C150KA0038	INDUCTION COIL	1	
L9501,02	J0JHC0000078	CHIP INDUCTOR	2	
L9504,05	J0JHC0000078	CHIP INDUCTOR	2	
L9800	G1C2R2Z00007	INDUCTION COIL	1	
L9801	G1C1R5Z00006	INDUCTION COIL	1	
L9802	G1C2R2Z00007	INDUCTION COIL	1	
NP	TNPA4109AB	CIRCUIT BOARD DS	1	PAVCA ▲
NP	TXNHX1XNTU	CIRCUIT BOARD HX	1	PAVCA ▲
NP	TXNDN1XNTU	CIRCUIT BOARD DN	1	PAVCA ▲
NP	TXNC11HNTU	CIRCUIT BOARD C1	1	PAVCA ▲
NP	TXNC21HNTU	CIRCUIT BOARD C2	1	PAVCA ▲
NP	TZTNP01XGTU	CIRCUIT BOARD D	1	PAVCA ▲
NP	TXN/PLXGTUS	CIRCUIT BOARD P	1	PAVCA ▲
NP	TXNSC1HNTU	CIRCUIT BOARD SC	1	PAVCA ▲
NP	TXNSD1HNTU	CIRCUIT BOARD SD	1	PAVCA ▲
NP	TXNSS1HNTU	CIRCUIT BOARD SS	1	PAVCA ▲
NP	TXNSU1HNTU	CIRCUIT BOARD SU	1	PAVCA ▲
NP	TXNGK1ZQTU	CIRCUIT BOARD GK	1	PAVCA ▲
NP	TXN/K1ZQTU	CIRCUIT BOARD K	1	PAVCA ▲
NP	TXN/S1ZQTU	CIRCUIT BOARD S	1	PAVCA ▲
P2	K1KA02A00626	2P CONNECTOR	1	
P6	K1KA12AA0191	12P CONNECTOR	1	
P7	K1KA11AA0191	11P CONNECTOR	1	
P9	K1KA03A00537	3P CONNECTOR	1	

Ref. No.	Part No.	Part Name & Description	Pcs	Remarks
P11	K1KA02A00626	2P CONNECTOR	1	
P12	K1KA08A00514	8P CONNECTOR	1	
P25	K1KA13AA0194	13P CONNECTOR	1	
PA4901	K5H4022A0023	FUSE	1	
PA9800	K5H4022A0023	FUSE	1	
PA9900	K5H5022A0023	FUSE	1	
PC6480	B3PBA0000223	IC	1	
PC6701,02	B3PBA0000457	IC	2	
PC6704	B3PBA0000456	IC	1	
PC6705	B3PBA0000397	IC	1	
PC6801	B3PBA0000223	IC	1	
PC6861	B3PBA0000223	IC	1	
PC6871	B3PBA0000223	IC	1	
PMM1	TMME047	CLAMPER	1	
PMM2, M3	TMM7464-2	CLAMPER	2	
PMM5	TMM7464-2	CLAMPER	1	
PMM6-M8	TMME260	CLAMPER	3	
PR401	K5Y502BA0001	FUSE	1	▲
PR402	ERBSE0R50U	FUSE	1	▲
PR501	ERBSE0R50U	FUSE	1	▲
PR505	ERBSE5R00U	FUSE	1	▲
PR509	ERBSE0R50U	FUSE	1	▲
PR601	K5G312B00012	FUSE	1	▲
Q401	B1CHND000004	TRANSISTOR	1	
Q402	B1CBGD000001	FET	1	
Q404	B1BCCF000022	TRANSISTOR	1	
Q406	B1DEKQ000003	TRANSISTOR	1	▲
Q407	B1HFCFA00021	TRANSISTOR	1	
Q408,09	B1DHCD000034	TRANSISTOR	2	
Q410	2SD1819ARL	TRANSISTOR	1	
Q411	B1HFCFA00021	TRANSISTOR	1	
Q412,13	B1DEGQ000070	TRANSISTOR	2	▲
Q420	2SD1819ARL	TRANSISTOR	1	
Q422	B1CBGD000001	FET	1	
Q501,02	2SD1820A0L	TRANSISTOR	2	
Q507	B1DAGQ000013	TRANSISTOR	1	
Q508	B1HBCFA00033	TRANSISTOR	1	
Q509	B1HDCEA00001	TRANSISTOR	1	
Q510	B1DFDD000019	TRANSISTOR	1	
Q517	B1HBCFA00033	TRANSISTOR	1	
Q520	B1HBCFA00033	TRANSISTOR	1	
Q521	B1CBGD000001	FET	1	
Q524	B1CFGF000008	TRANSISTOR	1	
Q525	B1CBGD000001	FET	1	
Q527	B1CERM000012	FET	1	
Q530	B1ADCF000111	TRANSISTOR	1	
Q535	2SD1819ARL	TRANSISTOR	1	
Q537	B1DFDD000019	TRANSISTOR	1	
Q538	B1CBGD000001	FET	1	
Q540	B1DFDD000019	TRANSISTOR	1	
Q541	B1CBGD000001	FET	1	
Q553	2SD1819ARL	TRANSISTOR	1	
Q554	B1CHND000004	TRANSISTOR	1	
Q555,56	B1CFRD000018	FET	2	
Q563	2SD1819ARL	TRANSISTOR	1	
Q564,65	B1ADCF000111	TRANSISTOR	2	
Q566	2SD1819ARL	TRANSISTOR	1	
Q569	B1CBGD000001	FET	1	
Q2300	B1BCCF000028	TRANSISTOR	1	
Q2331	B1BCCF000028	TRANSISTOR	1	
Q2372	2SD0601ARL	TRANSISTOR	1	
Q2510,11	2SD0601ARL	TRANSISTOR	2	
Q2513	2SD0601ARL	TRANSISTOR	1	
Q3001	2SB0709ARL	TRANSISTOR	1	
Q3531,32	2SD0601ARL	TRANSISTOR	2	

Ref. No.	Part No.	Part Name & Description	Pcs	Remarks
Q4701	B1CBHD000002	FET	1	
Q4702-07	2SD0601ARL	TRANSISTOR	6	
Q4708	B1CBHD000002	FET	1	
Q4712-14	2SD0601ARL	TRANSISTOR	3	
Q4801-03	2SD0601ARL	TRANSISTOR	3	
Q4901,02	B1MBEDA00015	TRANSISTOR	2	
Q4961,62	2SD0601ARL	TRANSISTOR	2	
Q6001-03	B1JADN000001	TRANSISTOR	3	
Q6021-23	B1JADN000001	TRANSISTOR	3	
Q6031	B1ADR000001	TRANSISTOR	1	
Q6041,42	B1JADN000002	TRANSISTOR	2	
Q6052	B1JADN000002	TRANSISTOR	1	
Q6101	B1DFKM000002	TRANSISTOR	1	
Q6103	B1ABNF000006	TRANSISTOR	1	
Q6104	B1ADNF000006	TRANSISTOR	1	
Q6106	B1DFKM000002	TRANSISTOR	1	
Q6111	B1DFKM000001	TRANSISTOR	1	
Q6114	B1DFKM000001	TRANSISTOR	1	
Q6141	B1ABNF000006	TRANSISTOR	1	
Q6142	B1ADNF000006	TRANSISTOR	1	
Q6146	B1ABNF000006	TRANSISTOR	1	
Q6147	B1ADNF000006	TRANSISTOR	1	
Q6171	B1ABRD000003	TRANSISTOR	1	
Q6172	B1ADDR000001	TRANSISTOR	1	
Q6181	B1ABRD000003	TRANSISTOR	1	
Q6222	2SC1473AEA	TRANSISTOR	1	
Q6251	2SD0601ARL	TRANSISTOR	1	
Q6256	2SD1263A	TRANSISTOR	1	
Q6271	2SD0601ARL	TRANSISTOR	1	
Q6401-03	B1JADN000001	TRANSISTOR	3	
Q6421-23	B1JADP000002	TRANSISTOR	3	
Q6441,42	B1JADN000002	TRANSISTOR	2	
Q6451	B1JADP000002	TRANSISTOR	1	
Q6501	B1ABNF000006	TRANSISTOR	1	
Q6502	B1ADNF000006	TRANSISTOR	1	
Q6521	B1ABNF000006	TRANSISTOR	1	
Q6522	B1ADNF000006	TRANSISTOR	1	
Q6531	B1ABRD000003	TRANSISTOR	1	
Q6532	B1ADR000001	TRANSISTOR	1	
Q6551	B1ABRD000003	TRANSISTOR	1	
Q6552	B1ADR000001	TRANSISTOR	1	
Q6581	2SD0601ARL	TRANSISTOR	1	
Q6601	B1DFES000003	TRANSISTOR	1	
Q6602	2SD0601ARL	TRANSISTOR	1	
Q6603	2SB0709ARL	TRANSISTOR	1	
Q6621,22	2SK399500L	FET	2	
Q6642-44	2SK399500L	FET	3	
Q6646-48	2SK399500L	FET	3	
Q6661	B1DEET000002	TRANSISTOR	1	
Q6662	2SD0601ARL	TRANSISTOR	1	
Q6665	B1ABNF000006	TRANSISTOR	1	
Q6671,72	B1DFDR000001	TRANSISTOR	2	
Q6679	B1ABNF000006	TRANSISTOR	1	
Q6680	B1ADNF000006	TRANSISTOR	1	
Q6690	2SA19610Q0HW	TRANSISTOR	1	
Q6742,43	2SD0601ARL	TRANSISTOR	2	
Q6762	B1ADNF000006	TRANSISTOR	1	
Q6781	B1ABNF000006	TRANSISTOR	1	
Q6782	B1ADNF000006	TRANSISTOR	1	
Q6791	2SD0601ARL	TRANSISTOR	1	

Ref. No.	Part No.	Part Name & Description	Pcs	Remarks
Q6805	2SC3063	TRANSISTOR	1	
Q6806	2SC1473AEA	TRANSISTOR	1	
Q6821,22	2SD1263A	TRANSISTOR	2	
Q6824	2SD0601ARL	TRANSISTOR	1	
Q6841	2SD1263A	TRANSISTOR	1	
Q6842	2SC1473AEA	TRANSISTOR	1	
Q8002	2SD0601ARL	TRANSISTOR	1	
Q8010	2SD0601ARL	TRANSISTOR	1	
Q8011	2SB0709ARL	TRANSISTOR	1	
Q8012	2SD0601ARL	TRANSISTOR	1	
Q8013	2SB0709ARL	TRANSISTOR	1	
Q8019	2SD0601ARL	TRANSISTOR	1	
Q8181-84	B1CBHD000002	FET	4	
Q8200-02	2SD0601ARL	TRANSISTOR	3	
Q9010	2SD0601ARL	TRANSISTOR	1	
Q9044	2SD0601ARL	TRANSISTOR	1	
Q9046	2SD0601ARL	TRANSISTOR	1	
Q9050-54	2SD0601ARL	TRANSISTOR	5	
Q9301,02	2SD0601ARL	TRANSISTOR	2	
Q9805,06	2SD0601ARL	TRANSISTOR	2	
Q9807-09	B1MBEDA00015	TRANSISTOR	3	
R401	ERJ6GEYG103	M 10KOHM,J,1/10W	1	
R402	ERJ6GEYG821	M 820 OHM,J,1/10W	1	
R403	ERJ6GEYG105	M 1MOHM,J,1/10W	1	
R404	ERJ6GEYG153	M 15KOHM,J,1/10W	1	
R405	DOB1825JA033	M1.22MOHM,J,0.05W	1	△
R406	ERX12SJ4R7	M 4.7 OHM, J,1/2W	1	
R407	D1AB2203A023	CHIP RESISTOR	1	
R408	ERJ6GEYF472	M 4.7KOHM,F,1/10W	1	
R409	ERJ6GEYG102	M 1KOHM,J,1/10W	1	
R410	D1AB2203A023	CHIP RESISTOR	1	
R411	ERF5TJ100	W 10 OHM, J, 5W	1	△
R414	ERJ8GEYJ153	M 15KOHM, J,1/8W	1	
R415	D1AB2203A023	CHIP RESISTOR	1	
R417	D1AB4303A023	CHIP RESISTOR	1	
R418	ERJ6GEYJ6R8V	M 6.8 OHM,J,1/10W	1	
R419	ERJ6GEYG104	M 100KOHM,J,1/10W	1	
R421	ERJ6GEYF333	M 33KOHM,J,1/10W	1	
R422	ERJ6GEYF472	M 4.7KOHM,F,1/10W	1	
R423	ERJ6GEYG221	M 220 OHM,J,1/10W	1	
R424	ERJ6GEYJ223	M 22KOHM,J,1/10W	1	
R425	ERJ6ENF1802	M 18KOHM, 1/10W	1	
R426	ERJ6GEYG103	M 10KOHM,J,1/10W	1	
R428	ERJ6GEYG103	M 10KOHM,J,1/10W	1	
R429	ERJ6GEYJ4R7	M 4.7 OHM,J,1/10W	1	
R430	D1AB4303A023	CHIP RESISTOR	1	
R431	ERJ6GEYG103	M 10KOHM,J,1/10W	1	
R432	D1AB4303A023	CHIP RESISTOR	1	
R433	ERJ6RBD123V	M 12KOHM, 1/10W	1	
R436	ERJ8GEYJ153	M 15KOHM, J,1/8W	1	
R437	ERJ6GEYG183	M 18KOHM,J,1/10W	1	
R438	ERJ6GEYG331	M 330 OHM,G,1/10W	1	
R439	ERG12SJ120	M 12 OHM, J,1/2W	1	
R440	ERJ8GEYJ474	M 470KOHM, J,1/8W	1	
R441,42	D1AB6803A023	CHIP RESISTOR	2	
R443	EVMAASA00B23	CONTROL 2KOHMB	1	
R444	ERJ6GEYF123	M 12KOHM,J,1/10W	1	
R445	D1AB6803A023	CHIP RESISTOR	1	
R448,49	DOXGR10J0003	M 0.100HM,J, 5W	2	
R450	ERJ6GEYJ4R7	M 4.7 OHM,J,1/10W	1	
R451	ERJ6GEYF333	M 33KOHM,J,1/10W	1	
R452	ERJ6GEYG103	M 10KOHM,J,1/10W	1	
R454	ERJ6GEYG103	M 10KOHM,J,1/10W	1	
R455	ERJ6GEYF123	M 12KOHM,J,1/10W	1	
R456	ERJ6GEYF333	M 33KOHM,J,1/10W	1	
R458	ERJ6GEYF472	M 4.7KOHM,F,1/10W	1	

Ref. No.	Part No.	Part Name & Description	Pcs	Remarks
R460	ERDS2TC0	C 0 OHM, 1/4W	1	
R461	ERJ6GEYG103	M 10KOHM,J,1/10W	1	
R463	ERJ6GEYF333	M 33KOHM,J,1/10W	1	
R464	ERJ6ENF3302	M 33KOHM, 1/10W	1	
R467	ERJ6GEYG102	M 1KOHM,J,1/10W	1	
R468,69	ERX12SJ1R0	M 0.1 OHM, J,1/2W	2	
R471	ERJ8GEYJ332	M 3.3KOHM, J,1/8W	1	
R472-74	D1AB5603A023	CHIP RESISTOR	3	
R476,77	ERJ14YJ181	M 181 OHM, J,1/4W	2	
R478	ERJ8GEYJ220	M 22 OHM, J,1/8W	1	
R482	ERJ8GEYJ220	M 22 OHM, J,1/8W	1	
R483	DOBF334JA030	CHIP RESISTOR	1	△
R484	ERJ6GEYF473	M 47KOHM,J,1/10W	1	
R485	ERJ6GEYF472	M 4.7KOHM,F,1/10W	1	
R488	ERJ6GEYG104	M 100KOHM,J,1/10W	1	
R490	ERJ6GEYG103	M 10KOHM,J,1/10W	1	
R491	ERJ6GEYG821	M 820 OHM, J,1/10W	1	
R493	ERG12SJ120	M 12 OHM, J,1/2W	1	
R498	ERG3SJ101	M 100 OHM, J, 3W	1	
R500	ERJ6GEYJ224	M 220KOHM,J,1/10W	1	
R501	ERJ6GEYG154	M 150KOHM,J,1/10W	1	
R502,03	ERJ6GEYJ224	M 220KOHM,J,1/10W	2	
R505	ERJ8GEYJ330	M 33 OHM, J,1/8W	1	
R507	ERJ6GEYG221	M 220 OHM,J,1/10W	1	
R508	ERJ6GEYG182	M 1.8KOHM,J,1/10W	1	
R510	ERJ8GEYOR00	M 0 OHM, 1/8W	1	
R512	ERJ6GEYG823	M 82KOHM,J,1/10W	1	
R513	ERJ6GEYG332	M 3.3KOHM,J,1/10W	1	
R514	ERJ6GEYG104	M 100KOHM,J,1/10W	1	
R518	ERJ6GEYG102	M 1KOHM,J,1/10W	1	
R519	ERJ6GEYG104	M 100KOHM,J,1/10W	1	
R520	ERJ6GEYJ101V	M 100 OHM,J,1/10W	1	
R523	ERJ6GEYF473	M 47KOHM,J,1/10W	1	
R524	ERJ6GEYG102	M 1KOHM,J,1/10W	1	
R526,27	ERJ6ENF1803	M 180KOHM, 1/10W	2	
R528	ERJ6GEYJ4R7	M 4.7 OHM,J,1/10W	1	
R529	ERJ6GEYJ101V	M 100 OHM,J,1/10W	1	
R530,31	ERJ6RBD333	M 33KOHM,J,1/10W	2	
R532	ERJ6GEYG102	M 1KOHM,J,1/10W	1	
R533	ERJ6ENF1803	M 180KOHM, 1/10W	1	
R534	ERJ6ENF8201	M 8.2KOHM, 1/10W	1	
R537	ERJ6ENF1003	M 100KOHM, 1/10W	1	
R538	ERJ6GEYG104	M 100KOHM,J,1/10W	1	
R539	ERJ6GEYG103	M 10KOHM,J,1/10W	1	
R540,41	ERJ6GEYG105	M 1MOHM,J,1/10W	2	
R542	ER0S2CKF2202	M 22KOHM, F,1/4W	1	
R543	ERJ6ENF3902	M 39KOHM, 1/10W	1	
R545	ERJ6GEYG102	M 1KOHM,J,1/10W	1	
R546	ERJ6GEYG104	M 100KOHM,J,1/10W	1	
R547	ERJ6GEYJ101V	M 100 OHM,J,1/10W	1	
R550	ERJ6GEYG102	M 1KOHM,J,1/10W	1	
R551	ERJ6GEYF151	M 150 OHM,F,1/10W	1	
R553	ERJ6GEYJ101V	M 100 OHM,J,1/10W	1	
R555	ERJ6GEYG102	M 1KOHM,J,1/10W	1	
R556	ERJ6GEYG105	M 1MOHM,J,1/10W	1	
R557,58	ERJ6GEYJ101V	M 100 OHM,J,1/10W	2	
R559	ERJ6ENF8201	M 8.2KOHM, 1/10W	1	
R560	ERJ6ENF9101	M 9.1KOHM, 1/10W	1	
R561	ERJ6ENF5101	M 5.1KOHM, 1/10W	1	
R562	ERJ6ENF4701	M 4.7KOHM, 1/10W	1	
R563	ERJ6GEYJ2R2	M 2.2 OHM,J,1/10W	1	
R564	ERJ6GEYG104	M 100KOHM,J,1/10W	1	
R565,66	ERJ6GEYG105	M 1MOHM,J,1/10W	2	
R567,68	ERJ8GEYJ105	M 1MOHM, J,1/8W	2	
R569	ERJ6ENF3302	M 33KOHM, 1/10W	1	
R570	ERJ6GEYG104	M 100KOHM,J,1/10W	1	
R571	ERJ6GEYG105	M 1MOHM,J,1/10W	1	
R572,73	ERJ6GEYG102	M 1KOHM,J,1/10W	2	
R574	ERJ6GEYG331	M 330 OHM,G,1/10W	1	
R576	ERJ6RBD123V	M 12KOHM, 1/10W	1	
R579	ERJ6GEYG103	M 10KOHM,J,1/10W	1	
R581	ERJ6GEYF473	M 47KOHM,J,1/10W	1	
R582	ERJ6ENF1002	M 10KOHM, 1/10W	1	

Ref. No.	Part No.	Part Name & Description	Pcs	Remarks
R584	ERJ6GEYG103	M 10KOHM,J,1/10W	1	
R585	ERJ6GEYF333	M 33KOHM,J,1/10W	1	
R586	ERJ6GEYJ223	M 22KOHM,J,1/10W	1	
R587	ERJ8RSJR16V	M 16 OHM, 1/8W	1	
R592	ERJ6GEYJ223	M 22KOHM,J,1/10W	1	
R593	ERJ6GEYG104	M 100KOHM,J,1/10W	1	
R594	ERJ6GEYF151	M 150 OHM,F,1/10W	1	
R595	ERJ6GEYG221	M 220 OHM,J,1/10W	1	
R596	ERJ6GEYJ101V	M 100 OHM,J,1/10W	1	
R597,98	ERJ6ENF3302	M 33KOHM, 1/10W	2	
R599,00	ERJ8ENF3900	M 390 OHM, 1/8W	2	
R601	ERJ6GEYJ471	M 470 OHM,J,1/10W	1	
R603	ERJ6GEYJ101V	M 100 OHM,J,1/10W	1	
R604	ERJ6RBD303	M 30KOHM,J,1/10W	1	
R605	ERJ6GEYG103	M 10KOHM,J,1/10W	1	
R606	ERJ6ENF1201	M 1.2KOHM, 1/10W	1	
R607	ERJ6ENF2202	M 2.2KOHM, 1/10W	1	
R608	ERJ8GEYJ332	M 3.3KOHM, J,1/8W	1	
R609	ERJ6GEYG102	M 1KOHM,J,1/10W	1	
R610	ERJ6GEYG222	M 2.2KOHM,J,1/10W	1	
R611	ERDS2FJ101	C 100 OHM, J,1/4W	1	
R612	ERJ6GEYG222	M 2.2KOHM,J,1/10W	1	
R613	ERJ6ENF2402	M 24KOHM, 1/10W	1	
R614	ERJ6ENF3301	M 3.3KOHM, 1/10W	1	
R616,17	ERJ6GEYJ223	M 22KOHM,J,1/10W	2	
R618	ERJ6GEYG104	M 100KOHM,J,1/10W	1	
R619	ERJ8RQFR39	M 0.390HM, J,1/8W	1	
R620	ERJ6GEYG102	M 1KOHM,J,1/10W	1	
R622	ERJ6ENF1603	M 160KOHM, 1/10W	1	
R624	ERX2SJR22P	M 0.22 OHM, J, 2W	1	
R625	B0BC8R100013	ZENER DIODE	1	
R626	ERJ6ENF1603	M 160KOHM, 1/10W	1	
R627	ERJ6GEYJ752	M 7.5KOHM,J,1/10W	1	
R628	EVMAASA00B33	CONTROL 3KOHMB	1	
R629	ERJ6GEYG105	M 1MOHM,J,1/10W	1	
R630	ERJ6GEYF472	M 4.7KOHM,F,1/10W	1	
R631	ERJ8GEYJ333	M 33KOHM, J,1/8W	1	
R632	ERJ6GEYG221	M 220 OHM,J,1/10W	1	
R633	ERJ6GEYJ105	M 1MOHM,J,1/10W	1	
R634	ERJ8RQFR39	M 0.390HM, J,1/8W	1	
R635	ERJ6GEYG103	M 10KOHM,J,1/10W	1	
R636	ERJ6ENF1603	M 160KOHM, 1/10W	1	
R637	ERJ8RQFR39	M 0.390HM, J,1/8W	1	
R639,40	ERJ8RQFR39	M 0.390HM, J,1/8W	2	
R641	ERJ6GEYF473	M 47KOHM,J,1/10W	1	
R642-44	ERJ8RQFR39	M 0.390HM, J,1/8W	3	
R645	ERJ6GEYJ101V	M 100 OHM,J,1/10W	1	
R646,47	ERJ14YJ330	M 33 OHM, J,1/4W	2	
R648	ERJ6ENF1603	M 160KOHM, 1/10W	1	
R649	ERJ6GEYJ223	M 22KOHM,J,1/10W	1	
R650	ERJ6GEYG103	M 10KOHM,J,1/10W	1	
R651	ERJ6ENF1002	M 10KOHM, 1/10W	1	
R652	ERJ6GEYF123	M 12KOHM,J,1/10W	1	
R653	ERJ6ENF3302	M 33KOHM, 1/10W	1	
R654	ERJ6GEYJ223	M 22KOHM,J,1/10W	1	
R655	ERJ8RSJR16V	M 16 OHM, 1/8W	1	
R656	ERJ6ENF1803	M 180KOHM, 1/10W	1	
R657	ERJ6GEYF561	M 560 OHM,F,1/10W	1	
R658	ERJ6GEYG105	M 1MOHM,J,1/10W	1	
R659	ERJ6RBD303	M 30KOHM,J,1/10W	1	
R660	ERJ6RBD123V	M 12KOHM, 1/10W	1	
R661	EVMAASA00B53	CONTROL 5KOHMB	1	
R662	ERJ6ENF1503	M 150KOHM, 1/10W	1	
R664	ERJ6ENF9101	M 9.1KOHM, 1/10W	1	
R665	EVMAASA00B23	CONTROL 2KOHMB	1	
R669	ERJ6ENF1503	M 150KOHM, 1/10W	1	
R670	ERJ6GEYG102	M 1KOHM,J,1/10W	1	
R671	ERJ6RBD751	M 750 OHM,J,1/10W	1	
R672,73	ERJ6GEYG102	M 1KOHM,J,1/10W	2	
R674	ERJ8GEYJ333	M 33KOHM, J,1/8W	1	
R675	ERJ6ENF2202	M 2.2KOHM, 1/10W	1	
R676	ERJ8GEYJ333	M 33KOHM, J,1/8W	1	
R677	ERJ6GEYJ474	M 470KOHM,J,1/10W	1	

Ref. No.	Part No.	Part Name & Description	Pcs	Remarks
R678-80	ERJ8RSJR16V	M 16 OHM, 1/8W	3	
R682	ERJ6ENF2002	M 20KOHM, 1/10W	1	
R683	ERJ14YJ330	M 33 OHM, J,1/4W	1	
R684,85	ERJ6GEYG102	M 1KOHM,J,1/10W	2	
R686	ERJ6GEYG103	M 10KOHM,J,1/10W	1	
R687	ERJ6GEYG104	M 100KOHM,J,1/10W	1	
R688	ERJ6GEYG102	M 1KOHM,J,1/10W	1	
R689	ERJ8GEYJ472	M 4.7KOHM, J,1/8W	1	
R690	ERJ6GEYJ4R7	M 4.7 OHM,J,1/10W	1	
R691	ERJ6GEYG105	M 1MOHM,J,1/10W	1	
R693	ERJ6GEYJ100V	M 10 OHM,J,1/10W	1	
R695	ERJ6RBD123V	M 12KOHM, 1/10W	1	
R696	ERJ6GEYJ100V	M 10 OHM,J,1/10W	1	
R697	ERJ6GEYJ4R7	M 4.7 OHM,J,1/10W	1	
R698	ERJ8RSJR16V	M 16 OHM, 1/8W	1	
R699	ERJ8GEYJ105	M 1MOHM, J,1/8W	1	
R700,01	ERJ6ENF1503	M 150KOHM, 1/10W	2	
R702	ERJ6ENF1102	M 11KOHM, 1/10W	1	
R707,08	ERJ6GEYG102	M 1KOHM,J,1/10W	2	
R709,10	ERJ6GEYJ101V	M 100 OHM,J,1/10W	2	
R711,12	ERJ6GEYG222	M 2.2KOHM,J,1/10W	2	
R713	ERJ6GEYG152	M 1.5KOHM,J,1/10W	1	
R714	ERJ6GEYG102	M 1KOHM,J,1/10W	1	
R715	ERJ6ENF3301	M 3.3KOHM, 1/10W	1	
R716	ERJ6GEY0R00V	M 0 OHM, 1/10W	1	
R717	ERJ6GEYG122	M 1.2KOHM,J,1/10W	1	
R718	ERJ6GEYG103	M 10KOHM,J,1/10W	1	
R719	ERJ6GEYG102	M 1KOHM,J,1/10W	1	
R720	ERJ6GEYG152	M 1.5KOHM,J,1/10W	1	
R721	ERJ6GEY0R00V	M 0 OHM, 1/10W	1	
R722-24	ERJ6GEYG102	M 1KOHM,J,1/10W	3	
R726,27	ERJ6GEYG222	M 2.2KOHM,J,1/10W	2	
R729	ERJ6GEY0R00V	M 0 OHM, 1/10W	1	
R730-38	ERJ8GEYJ105	M 1MOHM, J,1/8W	9	
R739	ERJ6ENF1003	M 100KOHM, 1/10W	1	
R740	ERJ6GEYJ243	M 24KOHM,J,1/10W	1	
R741	ERJ8GEYJ205	M 2MOHM, J,1/8W	1	
R742	ERJ6GEYG102	M 1KOHM,J,1/10W	1	
R803	ERJ3EKF6802	M 68KOHM, 1/16W	1	
R804	ERJ3GEYJ224	M 220KOHM,J,1/16W	1	
R805	ERJ3EKF8452	M84.5KOHM, 1/16W	1	
R806	ERJ3EKF1052	M10.5KOHM, 1/16W	1	
R808,09	ERJ6GEY0R00V	M 0 OHM, 1/10W	2	
R811	ERJ3EKF6802	M 68KOHM, 1/16W	1	
R812	ERJ3GEYJ683	M 68KOHM,J,1/16W	1	
R813	ERJ3EKF4222	M42.2KOHM, 1/16W	1	
R814	ERJ3EKF1052	M10.5KOHM, 1/16W	1	
R816,17	ERJ6GEY0R00V	M 0 OHM, 1/10W	2	
R819	ERJ3EKF6802	M 68KOHM, 1/16W	1	
R820	ERJ3GEYJ333	M 33KOHM,J,1/16W	1	
R821	ERJ3EKF2432	M24.3KOHM, 1/16W	1	
R822	ERJ3EKF1052	M10.5KOHM, 1/16W	1	
R824	ERJ6GEY0R00V	M 0 OHM, 1/10W	1	
R838	ERJ12YJ330	M 33 OHM,J, 1/2W	1	
R840	ERJ3GEYJ332	M 3.3KOHM,J,1/16W	1	
R842,43	ERJ6GEY0R00V	M 0 OHM, 1/10W	2	
R845-49	ERJ6GEY0R00V	M 0 OHM, 1/10W	5	
R2351-54	D0GB103JA057	M 10KOHM,J,1/16W	4	
R2355-60	ERDS1FJ2R2	C 2.2 OHM, J,1/2W	6	
R2361,62	D0GB103JA057	M 10KOHM,J,1/16W	2	
R2364	ERJ6GEY0R00V	M 0 OHM, 1/10W	1	
R2366	ERJ6GEY0R00V	M 0 OHM, 1/10W	1	
R2367,68	ERJ3GEYJ560	M 56 OHM,J,1/16W	2	
R2383	ERJ3GEYJ472	M 4.7KOHM,J,1/16W	1	
R2384	D0GB473JA057	M 47KOHM,J,1/16W	1	
R2385	ERJ3GEYD153V	M 15KOHM,J,1/16W	1	
R2386	ERJ3GEYJ104	M 100KOHM,J,1/16W	1	
R2387,88	J0JCC0000100	CHIP INDUCTOR	2	

Ref. No.	Part No.	Part Name & Description	Pcs	Remarks
R2389-92	D0GB103JA057	M 10KOHM,J,1/16W	4	
R2393	ERJ3GEYJ220	M 22 OHM,J,1/16W	1	
R2394-96	D0GB103JA057	M 10KOHM,J,1/16W	3	
R2397	ERJ3GEYD512V	M 5.1KOHM,J,1/16W	1	
R2398	J0JCC0000100	CHIP INDUCTOR	1	
R2399,00	ERJ3GEYJ220	M 22 OHM,J,1/16W	2	
R2404-07	D0GB103JA057	M 10KOHM,J,1/16W	4	
R2408-11	ERJ6GEY0R00V	M 0 OHM, 1/10W	4	
R2412	ERJ3GEYJ122	M 1.2KOHM,J,1/16W	1	
R2413	J0JCC0000100	CHIP INDUCTOR	1	
R2414	ERJ3GEYJ122	M 1.2KOHM,J,1/16W	2	
R2416	J0JCC0000100	CHIP INDUCTOR	1	
R2417	ERJ3GEYJ122	M 1.2KOHM,J,1/16W	1	
R2418,19	D0GB103JA057	M 10KOHM,J,1/16W	2	
R2420	ERJ3GEYD153V	M 15KOHM,J,1/16W	1	
R2421,22	D0GB393JA041	M 39KOHM,J,1/16W	2	
R2423	ERJ3GEYD153V	M 15KOHM,J,1/16W	1	
R2424,25	J0JCC0000100	CHIP INDUCTOR	2	
R2426	ERJ3GEYJ471	M 470 OHM,J,1/16W	1	
R2516	D0GB152JA057	M 1.5KOHM,J,1/16W	1	
R2517	ERJ6GEYG470V	M 47 OHM,J,1/10W	1	
R2520	ERJ3GEYJ224	M 220KOHM,J,1/16W	1	
R2524	ERJ3GEYJ223	M 22KOHM,J,1/16W	1	
R2525	ERJ3EKF9100	M 910 OHM, 1/16W	1	
R2530	ERJ3GEYJ223	M 22KOHM,J,1/16W	1	
R2531	ERJ3EKF2700	M 270 OHM, 1/16W	1	
R2542	D0GB102JA057	M 1KOHM,J,1/16W	1	
R2556,57	ERJ3GEYJ562	M 5.6KOHM,J,1/16W	2	
R2558	ERJ6GEY0R00V	M 0 OHM, 1/10W	1	
R3001	D0GB103JA057	M 10KOHM,J,1/16W	1	
R3002	D0GB102JA057	M 1KOHM,J,1/16W	1	
R3003	D0GB473JA057	M 47KOHM,J,1/16W	1	
R3004	ERJ3GEYJ101	M 100 OHM,J,1/16W	1	
R3025	ERJ3GEYJ101	M 100 OHM,J,1/16W	1	
R3026-29	D0GB103JA057	M 10KOHM,J,1/16W	4	
R3030,31	J0JCC0000100	CHIP INDUCTOR	2	
R3032,33	ERJ3GEYJ101	M 100 OHM,J,1/16W	2	
R3034-36	ERJ3GEYJ331	M 330 OHM,J,1/16W	3	
R3037,38	J0JCC0000100	CHIP INDUCTOR	2	
R3039-41	ERJ3GEYJ331	M 330 OHM,J,1/16W	3	
R3042	J0JCC0000100	CHIP INDUCTOR	1	
R3043	ERJ3GEYJ101	M 100 OHM,J,1/16W	1	
R3044-47	D0GB103JA057	M 10KOHM,J,1/16W	4	
R3048	D0GB334JA007	M 330KOHM,J,1/16W	1	
R3049	D0GB103JA057	M 10KOHM,J,1/16W	1	
R3050	ERJ3GEYJ560	M 56 OHM,J,1/16W	1	
R3051	ERJ3GEYJ330	M 33 OHM,J,1/16W	1	
R3053,54	ERJ3GEYJ560	M 56 OHM,J,1/16W	2	
R3057,58	ERJ3GEYJ560	M 56 OHM,J,1/16W	2	
R3059	ERJ3GEYJ101	M 100 OHM,J,1/16W	1	
R3060,61	J0JCC0000100	CHIP INDUCTOR	2	
R3062,63	ERJ3GEYJ101	M 100 OHM,J,1/16W	2	
R3064-69	ERJ3GEYJ560	M 56 OHM,J,1/16W	6	
R3070-75	ERJ6RED750	M 75 OHM, 1/10W	6	

Ref. No.	Part No.	Part Name & Description	Pcs	Remarks
R3076-81	ERJ3GEYJ560	M 56 OHM,J,1/16W	6	
R3082	ERJ3GEYJ101	M 100 OHM,J,1/16W	1	
R3083-87	J0JCC0000100	CHIP INDUCTOR	5	
R3088-93	ERJ6RED750	M 75 OHM, 1/10W	6	
R3094	J0JCC0000100	CHIP INDUCTOR	1	
R3095,96	ERJ3GEYJ562	M 5.6KOHM,J,1/16W	2	
R3101-06	ERJ6ENF1800	M 180 OHM, 1/10W	6	
R3107,08	ERJ3GEYJ560	M 56 OHM,J,1/16W	2	
R3110	ERJ6ENF4701	M 4.7KOHM, 1/10W	1	
R3111	ERJ6ENF1501	M 1.5KOHM, 1/10W	1	
R3115	ERJ6GEY0R00V	M 0 OHM, 1/10W	1	
R3117	J0JCC0000100	CHIP INDUCTOR	1	
R3118	ERJ6ENF8200	M 820 OHM, 1/10W	1	
R3125	DOGB103JA057	M 10KOHM,J,1/16W	1	
R3126	J0JCC0000100	CHIP INDUCTOR	1	
R3134	ERJ3GEYJ104	M 100KOHM,J,1/16W	1	
R3140,41	DOGB473JA057	M 47KOHM,J,1/16W	2	
R3143,44	ERJ3GEYJ101	M 100 OHM,J,1/16W	2	
R3150,51	ERJ3GEYJ101	M 100 OHM,J,1/16W	2	
R3160,61	J0JCC0000100	CHIP INDUCTOR	2	
R3163	DOGB102JA057	M 1KOHM,J,1/16W	1	
R3188-90	ERJ6RED750	M 75 OHM, 1/10W	3	
R3195,96	DOGB103JA057	M 10KOHM,J,1/16W	2	
R3197,98	DOGB123JA057	M 12KOHM,J,1/16W	2	
R3199	DOGB103JA057	M 10KOHM,J,1/16W	1	
R3210,11	ERJ3GEYJ101	M 100 OHM,J,1/16W	2	
R3212-15	ERJ3GEYJ472	M 4.7KOHM,J,1/16W	4	
R3216-19	ERJ6GEYJ3R3	M 3.3KOHM,J,1/10W	4	
R3230,31	ERJ3GEYJ101	M 100 OHM,J,1/16W	2	
R3400	ERJ6GEYJ103	M 10KOHM,J,1/10W	1	
R3508,09	ERJ6GEYF472	M 4.7KOHM,J,1/10W	2	
R3510,11	ERJ6GEYJ101V	M 100 OHM,J,1/10W	2	
R3529,30	ERJ6GEYJ184	M 180KOHM,J,1/10W	2	
R3547,48	ERJ6GEYJ101V	M 100 OHM,J,1/10W	2	
R3585,86	ERJ6ENF56R0	M 56 OHM,J,1/10W	2	
R3589	ERJ6GEYF473	M 47KOHM,J,1/10W	1	
R3590	ERJ6ENF56R0	M 56 OHM,J,1/10W	1	
R3591-93	ERJ6GEY0R00V	M 0 OHM, 1/10W	3	
R3653	ERJ6GEYF333	M 33KOHM,J,1/10W	1	
R3654	ERJ6GEYG683	M 68KOHM,J,1/10W	1	
R3655	ERJ6GEYF333	M 33KOHM,J,1/10W	1	
R3656	ERJ6GEYG683	M 68KOHM,J,1/10W	1	
R3663,64	ERJ6GEYJ102	M 1KOHM,J,1/10W	2	
R3668	ERJ6GEYJ101V	M 100 OHM,J,1/10W	1	
R3672	ERJ6GEYJ101V	M 100 OHM,J,1/10W	1	
R3751	ERJ6GEYF822	M 8.2KOHM,F,1/10W	1	
R3752	ERJ6GEYF222	M 2.2KOHM,F,1/10W	1	
R3753	ERJ6GEYF302	M 3.0KOHM,F,1/10W	1	
R3754	ERJ6GEY0R00V	M 0 OHM, 1/10W	1	
R3756	ERJ6GEY0R00V	M 0 OHM, 1/10W	1	
R3758	ERJ6GEYF472	M 4.7KOHM,F,1/10W	1	
R3759-64	ERJ6GEY0R00V	M 0 OHM, 1/10W	6	

Ref. No.	Part No.	Part Name & Description	Pcs	Remarks
R3766,67	ERJ6GEY0R00V	M 0 OHM, 1/10W	2	
R3776,77	ERJ6GEYJ101V	M 100 OHM,J,1/10W	2	
R3778	ERJ6GEYF473	M 47KOHM,J,1/10W	1	
R3790,91	ERJ6GEYJ101V	M 100 OHM,J,1/10W	2	
R4001-03	D1HG1008A002	NETWORK RESISTER	3	
R4004	ERJ6GEY0R00V	M 0 OHM, 1/10W	1	
R4005	ERJ3GEYJ272	M 2.7KOHM,J,1/16W	1	
R4006	ERJ3EKF6801	M 6.8KOHM, 1/16W	1	
R4007	ERJ6RED750	M 75 OHM, 1/10W	1	
R4008	J0JCC0000100	CHIP INDUCTOR	1	
R4009	ERJ6RED750	M 75 OHM, 1/10W	1	
R4010	J0JCC0000100	CHIP INDUCTOR	1	
R4011	ERJ6RED750	M 75 OHM, 1/10W	1	
R4012-14	J0JCC0000100	CHIP INDUCTOR	3	
R4016-18	J0JCC0000100	CHIP INDUCTOR	3	
R4019	ERJ3GEYJ100	M 10 OHM,J,1/16W	1	
R4020	ERJ6GEY0R00V	M 0 OHM, 1/10W	1	
R4021	J0JCC0000100	CHIP INDUCTOR	1	
R4023	ERJ6GEY0R00V	M 0 OHM, 1/10W	1	
R4024	J0JCC0000100	CHIP INDUCTOR	1	
R4027	ERJ6GEY0R00V	M 0 OHM, 1/10W	1	
R4035-38	ERJ3GEYJ101	M 100 OHM,J,1/16W	4	
R4041,42	J0JCC0000100	CHIP INDUCTOR	2	
R4139	DOGB102JA057	M 1KOHM,J,1/16W	1	
R4142	ERJ3GEYJ472	M 4.7KOHM,J,1/16W	1	
R4144	ERJ3GEYJ472	M 4.7KOHM,J,1/16W	1	
R4148	ERJ3GEYJ472	M 4.7KOHM,J,1/16W	1	
R4171	ERJ3GEYJ470	M 47 OHM,J,1/16W	1	
R4201	ERJ6GEY0R00V	M 0 OHM, 1/10W	1	
R4211-20	ERJ3GEYJ101	M 100 OHM,J,1/16W	10	
R4221,22	ERJ3GEYJ470	M 47 OHM,J,1/16W	2	
R4242,43	J0JCC0000100	CHIP INDUCTOR	2	
R4244	ERJ3GEYJ220	M 22 OHM,J,1/16W	1	
R4245	DOGB102JA057	M 1KOHM,J,1/16W	1	
R4250-52	J0JCC0000100	CHIP INDUCTOR	3	
R4260,61	J0JCC0000100	CHIP INDUCTOR	2	
R4271-73	D1HG8208A002	NETWORK RESISTER	3	
R4274,75	ERJ3GEYJ470	M 47 OHM,J,1/16W	2	
R4276	ERJ3GEYJ220	M 22 OHM,J,1/16W	1	
R4277-79	D1HG1218A002	NETWORK RESISTER	3	
R4280,81	ERJ3GEYJ470	M 47 OHM,J,1/16W	2	
R4282	ERJ3GEYJ220	M 22 OHM,J,1/16W	1	
R4312,13	J0JCC0000100	CHIP INDUCTOR	2	
R4314	DOGB103JA057	M 10KOHM,J,1/16W	1	
R4316	DOGB103JA057	M 10KOHM,J,1/16W	1	
R4318,19	ERJ3GEYJ223	M 22KOHM,J,1/16W	2	
R4321	ERJ3GEYJ223	M 22KOHM,J,1/16W	1	
R4324	DOGB103JA057	M 10KOHM,J,1/16W	1	
R4325-27	EXB38VR000V	RESISTOR ARRAY	3	
R4502	J0JCC0000100	CHIP INDUCTOR	1	
R4503	DOGB103JA057	M 10KOHM,J,1/16W	1	
R4505	DOGB103JA057	M 10KOHM,J,1/16W	1	
R4507	DOGB103JA057	M 10KOHM,J,1/16W	1	
R4509,10	ERJ3GEYJ470	M 47 OHM,J,1/16W	2	
R4513	ERJ3GEYJ220	M 22 OHM,J,1/16W	1	

Ref. No.	Part No.	Part Name & Description	Pcs	Remarks
R4514-16	ERJ3GEYJ470	M 47 OHM,J,1/16W	3	
R4518	J0JCC0000100	CHIP INDUCTOR	1	
R4522	J0JCC0000100	CHIP INDUCTOR	1	
R4526	J0JCC0000100	CHIP INDUCTOR	1	
R4529	J0JCC0000100	CHIP INDUCTOR	1	
R4531	J0JCC0000100	CHIP INDUCTOR	1	
R4533	ERJ3GEYJ101	M 100 OHM,J,1/16W	1	
R4536,37	J0JCC0000100	CHIP INDUCTOR	2	
R4539	J0JCC0000100	CHIP INDUCTOR	1	
R4544	J0JCC0000100	CHIP INDUCTOR	1	
R4546	J0JCC0000100	CHIP INDUCTOR	1	
R4554	ERJ3GEYJ472	M 4.7KOHM,J,1/16W	1	
R4559,60	D0GB102JA057	M 1KOHM,J,1/16W	2	
R4564-67	J0JCC0000100	CHIP INDUCTOR	4	
R4568,69	D1HG1038A002	NETWORK RESISTER	2	
R4573	D0GB103JA057	M 10KOHM,J,1/16W	1	
R4574	D1HG1218A002	NETWORK RESISTER	1	
R4575,76	ERJ3GEYJ121	M 120 OHM,J,1/16W	2	
R4577	D1HG1218A002	NETWORK RESISTER	1	
R4578,79	ERJ6ENF1001	M 1KOHM, 1/10W	2	
R4580	ERJ6ENF1101	M 1.1KOHM, 1/10W	1	
R4581	ERJ6ENF3161	M3.16KOHM, 1/10W	1	
R4582,83	ERJ3GEYJ121	M 120 OHM,J,1/16W	2	
R4584	D1HG1218A002	NETWORK RESISTER	1	
R4585	ERJ3GEYJ121	M 120 OHM,J,1/16W	2	
R4587-89	D1HG33080001	NETWORK RESISTER	3	
R4590,91	ERJ3GEYJ680	M 68 OHM,J,1/16W	2	
R4595	ERJ3GEYJ680	M 68 OHM,J,1/16W	1	
R4596	D0GB103JA057	M 10KOHM,J,1/16W	1	
R4618-21	D1HG33080001	NETWORK RESISTER	4	
R4622	J0JCC0000100	CHIP INDUCTOR	1	
R4626,27	J0JCC0000100	CHIP INDUCTOR	2	
R4631	J0JCC0000100	CHIP INDUCTOR	1	
R4640	ERJ3GEYJ121	M 120 OHM,J,1/16W	1	
R4657,58	ERJ6ENF1001	M 1KOHM, 1/10W	2	
R4691	ERJ3GEYJ472	M 4.7KOHM,J,1/16W	1	
R4701	EXB38V103JV	RESISTOR ARRAY	1	
R4702	ERJ3GEYJ272	M 2.7KOHM,J,1/16W	1	
R4703	ERJ3GEYJ101	M 100 OHM,J,1/16W	1	
R4704	ERJ3GEYJ272	M 2.7KOHM,J,1/16W	1	
R4706	ERJ3GEYJ332	M 3.3KOHM,J,1/16W	1	
R4707	ERJ3GEYJ101	M 100 OHM,J,1/16W	1	
R4708	D0GB103JA057	M 10KOHM,J,1/16W	1	
R4709	ERJ3GEYJ101	M 100 OHM,J,1/16W	1	
R4710,11	D0GB103JA057	M 10KOHM,J,1/16W	2	
R4712,13	D1HG1008A002	NETWORK RESISTER	2	
R4715	ERJ3GEYJ101	M 100 OHM,J,1/16W	1	
R4716	D0GB103JA057	M 10KOHM,J,1/16W	1	
R4717	ERJ3GEYJ101	M 100 OHM,J,1/16W	1	
R4718	D0GB103JA057	M 10KOHM,J,1/16W	2	
R4722	ERJ3GEYJ272	M 2.7KOHM,J,1/16W	1	
R4723	ERJ3GEYJ101	M 100 OHM,J,1/16W	1	
R4724	D0GB103JA057	M 10KOHM,J,1/16W	1	
R4727,28	D0GB103JA057	M 10KOHM,J,1/16W	2	
R4729,30	ERJ3GEYJ101	M 100 OHM,J,1/16W	2	
R4732	ERJ3GEYJ101	M 100 OHM,J,1/16W	1	
R4734	D0GB103JA057	M 10KOHM,J,1/16W	1	
R4735	ERJ3GEYJ101	M 100 OHM,J,1/16W	1	

Ref. No.	Part No.	Part Name & Description	Pcs	Remarks
R4737	D0GB103JA057	M 10KOHM,J,1/16W	1	
R4738	ERJ3GEYJ101	M 100 OHM,J,1/16W	1	
R4740,41	D1HG1008A002	NETWORK RESISTER	2	
R474,243	ERJ3GEYJ220	M 22 OHM,J,1/16W	2	
R4744	ERJ3GEYJ101	M 100 OHM,J,1/16W	1	
R4745	J0JCC0000100	CHIP INDUCTOR	1	
R4746	D0GB103JA057	M 10KOHM,J,1/16W	1	
R4747	EXB38VR000V	RESISTOR ARRAY	1	
R4748-52	J0JCC0000100	CHIP INDUCTOR	5	
R4753	ERJ3GEYJ220	M 22 OHM,J,1/16W	1	
R4754	ERJ3GEYJ562	M 5.6KOHM,J,1/16W	1	
R4755	ERJ3GEYJ220	M 22 OHM,J,1/16W	1	
R4756	ERJ3GEYJ562	M 5.6KOHM,J,1/16W	1	
R4757	ERJ3GEYJ220	M 22 OHM,J,1/16W	1	
R4758	ERJ3GEYJ272	M 2.7KOHM,J,1/16W	1	
R4759	ERJ3GEYJ220	M 22 OHM,J,1/16W	1	
R4760	ERJ3GEYJ272	M 2.7KOHM,J,1/16W	1	
R4761	ERJ3GEYJ101	M 100 OHM,J,1/16W	1	
R4762	J0JCC0000100	CHIP INDUCTOR	1	
R4763	ERJ3GEYJ101	M 100 OHM,J,1/16W	1	
R4764,65	ERJ3GEYJ470	M 47 OHM,J,1/16W	2	
R4766,67	EXB2HV470JV	RESISTOR ARRAY	2	
R4768	ERJ3GEYJ470	M 47 OHM,J,1/16W	1	
R4769	ERJ3GEYJ272	M 2.7KOHM,J,1/16W	1	
R4770	ERJ3GEYJ470	M 47 OHM,J,1/16W	1	
R4771	ERJ3GEYJ272	M 2.7KOHM,J,1/16W	1	
R4772	ERJ3GEYJ101	M 100 OHM,J,1/16W	1	
R4773	J0JCC0000100	CHIP INDUCTOR	1	
R4774	D0GB102JA057	M 1KOHM,J,1/16W	1	
R4775	D0GB103JA057	M 10KOHM,J,1/16W	1	
R4777	D0GB393JA041	M 39KOHM,J,1/16W	1	
R4779	D0GB103JA057	M 10KOHM,J,1/16W	1	
R4780,81	ERJ3GEYJ101	M 100 OHM,J,1/16W	2	
R4783	D0GB103JA057	M 10KOHM,J,1/16W	1	
R4786	EXB38V103JV	RESISTOR ARRAY	1	
R4788	ERJ3GEYJ101	M 100 OHM,J,1/16W	1	
R4790,91	ERJ3GEYJ101	M 100 OHM,J,1/16W	2	
R4792	D0GB102JA057	M 1KOHM,J,1/16W	1	
R4793	D0GB123JA057	M 12KOHM,J,1/16W	1	
R4795	D0GB103JA057	M 10KOHM,J,1/16W	1	
R4796	D0GB182JA057	M 1.8KOHM,J,1/16W	1	
R4804	ERJ3GEYJ332	M 3.3KOHM,J,1/16W	1	
R4806	ERJ3GEYJ101	M 100 OHM,J,1/16W	1	
R4807	D0GB103JA057	M 10KOHM,J,1/16W	1	
R4808	ERJ3GEYJ332	M 3.3KOHM,J,1/16W	1	
R4812,13	D0GB103JA057	M 10KOHM,J,1/16W	2	
R4814	ERJ3GEYJ101	M 100 OHM,J,1/16W	1	
R4815	D0GB103JA057	M 10KOHM,J,1/16W	1	
R4817	J0JCC0000100	CHIP INDUCTOR	1	
R4819	ERJ3GEYJ101	M 100 OHM,J,1/16W	1	
R4820	D0GB103JA057	M 10KOHM,J,1/16W	1	
R4821	D0GB102JA057	M 1KOHM,J,1/16W	1	
R4822,23	D0GB103JA057	M 10KOHM,J,1/16W	2	
R4824	ERJ3GEYJ104	M 100KOHM,J,1/16W	1	
R4825	D0GB103JA057	M 10KOHM,J,1/16W	1	
R4826	ERJ3GEYJ104	M 100KOHM,J,1/16W	1	
R4828	ERJ3GEYJ101	M 100 OHM,J,1/16W	1	
R4829	D0GB102JA057	M 1KOHM,J,1/16W	1	
R4830	D0GB103JA057	M 10KOHM,J,1/16W	1	
R4832	D0GB103JA057	M 10KOHM,J,1/16W	1	
R4833	D0GB473JA057	M 47KOHM,J,1/16W	1	
R4834	D0GB103JA057	M 10KOHM,J,1/16W	1	
R4835	D0GB102JA057	M 1KOHM,J,1/16W	1	
R4836	D0GB473JA057	M 47KOHM,J,1/16W	1	
R4837	D0GB103JA057	M 10KOHM,J,1/16W	1	
R4838	D0GB102JA057	M 1KOHM,J,1/16W	1	

Ref. No.	Part No.	Part Name & Description	Pcs	Remarks
R4839	D0GB473JA057	M 47KOHM,J,1/16W	1	
R4840	D0GB103JA057	M 10KOHM,J,1/16W	1	
R4841	ERJ3GEYJ562	M 5.6KOHM,J,1/16W	2	
R4843	ERJ3GEYJ331	M 330 OHM,J,1/16W	1	
R4844	D0GB102JA057	M 1KOHM,J,1/16W	1	
R4845	ERJ3GEYJ392	M 3.9KOHM,J,1/16W	1	
R4846	ERJ3GEYJ682	M 6.8KOHM,J,1/16W	1	
R4847	D0GB102JA057	M 1KOHM,J,1/16W	2	
R4849	D0GB123JA057	M 12KOHM,J,1/16W	1	
R4850	D0GB102JA057	M 1KOHM,J,1/16W	1	
R4851-53	D0GB103JA057	M 10KOHM,J,1/16W	3	
R4855	J0JCC0000100	CHIP INDUCTOR	1	
R4856	ERJ3GEYJ562	M 5.6KOHM,J,1/16W	1	
R4857	D0GB103JA057	M 10KOHM,J,1/16W	1	
R4858	ERJ3GEYJ101	M 100 OHM,J,1/16W	1	
R4859	D0GB103JA057	M 10KOHM,J,1/16W	2	
R4863	J0JCC0000100	CHIP INDUCTOR	1	
R4864	ERJ3GEYJ562	M 5.6KOHM,J,1/16W	1	
R4865	D0GB103JA057	M 10KOHM,J,1/16W	2	
R4868	ERJ3GEYJ682	M 6.8KOHM,J,1/16W	1	
R4869	ERJ3GEYJ101	M 100 OHM,J,1/16W	1	
R4870	D0GB103JA057	M 10KOHM,J,1/16W	1	
R4872	D0GB102JA057	M 1KOHM,J,1/16W	1	
R4873	ERJ3GEYJ223	M 22KOHM,J,1/16W	2	
R4876	D0GB103JA057	M 10KOHM,J,1/16W	1	
R4877	D0GB102JA057	M 1KOHM,J,1/16W	1	
R4879	ERJ3GEYJ101	M 100 OHM,J,1/16W	1	
R4881	ERJ3GEYJ562	M 5.6KOHM,J,1/16W	1	
R4882	D0GB103JA057	M 10KOHM,J,1/16W	1	
R4883	ERJ3GEYJ101	M 100 OHM,J,1/16W	1	
R4884	ERJ3GEYJ220	M 22 OHM,J,1/16W	2	
R4886	ERJ3GEYJ101	M 100 OHM,J,1/16W	1	
R4887	D0GB103JA057	M 10KOHM,J,1/16W	1	
R4888	ERJ3GEYJ101	M 100 OHM,J,1/16W	1	
R4889	D0GB103JA057	M 10KOHM,J,1/16W	1	
R4891	J0JCC0000100	CHIP INDUCTOR	1	
R4892	ERJ3GEYJ101	M 100 OHM,J,1/16W	1	
R4893	J0JCC0000100	CHIP INDUCTOR	1	
R4894	ERJ3GEYJ101	M 100 OHM,J,1/16W	2	
R4900	J0JCC0000100	CHIP INDUCTOR	1	
R4902	J0JCC0000100	CHIP INDUCTOR	1	
R4903	ERJ3GEYJ101	M 100 OHM,J,1/16W	1	
R4904	D0GB103JA057	M 10KOHM,J,1/16W	1	
R4905	J0JCC0000100	CHIP INDUCTOR	1	
R4906	ERJ3GEYJ101	M 100 OHM,J,1/16W	1	
R4907	J0JCC0000100	CHIP INDUCTOR	1	
R4908	ERJ3GEYJ562	M 5.6KOHM,J,1/16W	1	
R4911-21	ERJ3GEYJ101	M 100 OHM,J,1/16W	11	
R4922	J0JCC0000100	CHIP INDUCTOR	1	
R4925	J0JCC0000100	CHIP INDUCTOR	1	
R4927	J0JCC0000100	CHIP INDUCTOR	1	
R4941	D0GB103JA057	M 10KOHM,J,1/16W	1	
R4942	ERJ3GEYJ220	M 22 OHM,J,1/16W	2	
R4945	J0JCC0000100	CHIP INDUCTOR	1	
R4947	D0GB103JA057	M 10KOHM,J,1/16W	1	
R4951	ERJ3GEYF473	M 47KOHM, 1/16W	1	
R4952	ERJ3EKF1272	M12.7KOHM, 1/16W	1	
R4953	ERJ3EKF5602	M 56KOHM, 1/16W	1	
R4954	ERJ3EKF1102	M 11KOHM, 1/16W	1	
R4955	ERJ3EKF5602	M 56KOHM, 1/16W	1	
R4956	ERJ3EKF1102	M 11KOHM, 1/16W	1	
R4957	ERJ3EKF2052	M20.5KOHM, 1/16W	1	
R4958	ERJ3EKF1822	M18.2KOHM, 1/16W	1	
R4960	ERJ3GEYJ104	M 100KOHM,J,1/16W	1	

Ref. No.	Part No.	Part Name & Description	Pcs	Remarks
R4962, 63	ERJ6GEY0R00V	M 0 OHM, 1/10W	2	
R4964	J0JCC0000100	CHIP INDUCTOR	1	
R4972	J0JCC0000100	CHIP INDUCTOR	1	
R4974	J0JCC0000100	CHIP INDUCTOR	1	
R4980	J0JCC0000100	CHIP INDUCTOR	1	
R4986	D0GB183JA057	M 18KOHM,J,1/16W	1	
R4991, 92	D0GB103JA057	M 10KOHM,J,1/16W	2	
R4994, 95	D0GB103JA057	M 10KOHM,J,1/16W	2	
R6001	D0GF7R5JA047	M 7.5 OHM,J, 0.33W	1	
R6003	D0GF7R5JA047	M 7.5 OHM,J, 0.33W	1	
R6005	D0GF7R5JA047	M 7.5 OHM,J, 0.33W	1	
R6020	ERF5TJ330	W 33 OHM, 5W	1	
R6021	D0GF7R5JA047	M 7.5 OHM,J, 0.33W	1	
R6024	D0GF7R5JA047	M 7.5 OHM,J, 0.33W	1	
R6026	D0GF7R5JA047	M 7.5 OHM,J, 0.33W	1	
R6031, 32	ERJ6ENF8202	M 82KOHM, 1/10W	2	
R6033	ERJ6ENF5602	M 56KOHM, 1/10W	1	
R6034	ERJ6ENF2702	M 27KOHM, 1/10W	1	
R6041	D0GF5R6JA047	M 5.6 OHM,J, 0.33W	1	
R6043	D0GF5R6JA047	M 5.6 OHM,J, 0.33W	1	
R6053	D0GF5R6JA047	M 5.6 OHM,J, 0.33W	1	
R6062	ERJ6GEY0R00V	M 0 OHM, 1/10W	1	
R6064	ERJ6GEY0R00V	M 0 OHM, 1/10W	1	
R6066	ERJ6GEY0R00V	M 0 OHM, 1/10W	1	
R6068	ERJ6GEY0R00V	M 0 OHM, 1/10W	1	
R6070-73	ERJ6GEY0R00V	M 0 OHM, 1/10W	4	
R6102	D0GD221JA059	M 220 OHM,J,1/10W	1	
R6108	D0GD221JA059	M 220 OHM,J,1/10W	1	
R6109	D0GD100JA059	M 10 OHM,J,0.25W	1	
R6110	ERJ6GEYF473	M 47KOHM,J,1/10W	1	
R6111	D0GD470JA059	M 47 OHM,J,0.25W	1	
R6113	ERJ14YJ224	M 220KOHM, J,1/4W	1	
R6114	D0GD470JA059	M 47 OHM,J,0.25W	1	
R6116	ERJ6GEYF473	M 47KOHM,J,1/10W	1	
R6131, 32	ERJ6GEYJ101V	M 100 OHM,J,1/10W	2	
R6134	D0GD750JA059	M 75 OHM,J,0.25W	1	
R6135, 36	D0GD100JA059	M 10 OHM,J,0.25W	2	
R6141, 42	ERJ6GEYF473	M 47KOHM,J,1/10W	2	
R6145	D0GF1R0JA047	M 1.0 OHM,J, 0.33W	1	
R6146, 47	ERJ6GEYF473	M 47KOHM,J,1/10W	2	
R6151, 52	ERJ6GEYJ101V	M 100 OHM,J,1/10W	2	
R6154	D0GD750JA059	M 75 OHM,J,0.25W	1	
R6157-60	D0GF1R0JA047	M 1.0 OHM,J, 0.33W	4	
R6171	D0GD100JA059	M 10 OHM,J,0.25W	1	
R6172, 73	ERJ6GEYF473	M 47KOHM,J,1/10W	2	
R6181	D0GD100JA059	M 10 OHM,J,0.25W	1	
R6182, 83	ERJ6GEYF473	M 47KOHM,J,1/10W	2	
R6191, 92	ERJ6GEYJ101V	M 100 OHM,J,1/10W	2	
R6193	D0GD750JA059	M 75 OHM,J,0.25W	1	
R6194	D0GF1R0JA047	M 1.0 OHM,J, 0.33W	1	
R6210	ERJ6GEYG222	M 2.2KOHM,J,1/10W	1	
R6213	ERJ6GEYJ101V	M 100 OHM,J,1/10W	1	
R6214	D0GD151JA059	M 150 OHM,J,0.25W	1	
R6220	ERJ6GEYG470V	M 47 OHM,J,1/10W	1	
R6221	ERJ6GEYF472	M 4.7KOHM,J,1/10W	1	
R6222	ERG1FJS103D	M 10KOHM, J, 1W	1	
R6223	ERG2FJS123D	M 12KOHM, J, 2W	1	
R6225	D0GD203JA059	M 20KOHM,J,1/10W	1	
R6226, 27	ERJ6GEYJ163V	M 16KOHM,J,1/10W	2	
R6228	ERJ6GEYG562	M 5.6KOHM,J,1/10W	1	
R6229	ERJ6GEYJ163V	M 16KOHM,J,1/10W	1	

Ref. No.	Part No.	Part Name & Description	Pcs	Remarks
R6230	ERJ6GEYG470V	M 47 OHM,J,1/10W	1	
R6231	ERJ6GEYF472	M 4.7KOHM,J,1/10W	1	
R6232	ERJ6ENF1201	M 1.2KOHM, 1/10W	1	
R6241	EXB38V470J	RESISTOR ARRAY	1	
R6242	EXB38V472JV	RESISTOR ARRAY	1	
R6246	ERJ6GEYJ273	M 27KOHM,J,1/10W	1	
R6247	D0GF154JA047	M 150 KOHM,J,0.33W	1	
R6248	ERJ6GEYJ273	M 27KOHM,J,1/10W	1	
R6249	D0GF154JA047	M 150 KOHM,J,0.33W	1	
R6252,53	ERJ6ENF3902	M 39KOHM, 1/10W	2	
R6254	ERJ6ENF8201	M 8.2KOHM, 1/10W	1	
R6255	ERJ6ENF1201	M 1.2KOHM, 1/10W	1	
R6256	ERJ6ENF1501	M 1.5KOHM, 1/10W	1	
R6257	ERJ6GEYG103	M 10KOHM,J,1/10W	1	
R6258	ERJ6GEYG222	M 2.2KOHM,J,1/10W	1	
R6261	ERJ6GEYG104	M 100KOHM,J,1/10W	1	
R6269	ERJ6GEYJ273	M 27KOHM,J,1/10W	1	
R6270	D0GF154JA047	M 150 KOHM,J,0.33W	1	
R6272	ERJ6GEYG222	M 2.2KOHM,J,1/10W	1	
R6273	ERJ6GEYG103	M 10KOHM,J,1/10W	1	
R6274	ERJ6GEYG221	M 220 OHM,J,1/10W	1	
R6276	ERJ6GEYG823	M 82KOHM,J,1/10W	1	
R6278	ERJ6GEYJ273	M 27KOHM,J,1/10W	1	
R6279	D0GF154JA047	M 150 KOHM,J,0.33W	1	
R6284	ERJ6GEYG102	M 1KOHM,J,1/10W	1	
R6292	ERJ6GEYF473	M 47KOHM,J,1/10W	1	
R6401-03	D0GF7R5JA047	M 7.5 OHM,J, 0.33W	3	
R6421-23	D0GF5R6JA047	M 5.6 OHM,J, 0.33W	3	
R6441,42	D0GF5R6JA047	M 5.6 OHM,J, 0.33W	2	
R6451	D0GF5R6JA047	M 5.6 OHM,J, 0.33W	1	
R6465	ERJ6ENF2702	M 27KOHM, 1/10W	1	
R6466	ERJ6ENF5602	M 56KOHM, 1/10W	1	
R6467,68	ERJ6ENF8202	M 82KOHM, 1/10W	2	
R6471	ERJ6GEYG392	M 3.9KOHM,J,1/10W	1	
R6472	ERJ6GEYG222	M 2.2KOHM,J,1/10W	1	
R6473	ERJ6GEYF561	M 560 OHM,J,1/10W	1	
R6474	ERJ6GEYG102	M 1KOHM,J,1/10W	1	
R6475,76	ERJ6GEYF472	M 4.7KOHM,J,1/10W	2	
R6477	ERJ6GEYJ101V	M 100 OHM,J,1/10W	1	
R6501,02	ERJ6GEYJ101V	M 100 OHM,J,1/10W	2	
R6503	D0GD100JA059	M 10 OHM,J,0.25W	1	
R6504	D0GD750JA059	M 75 OHM,J,0.25W	1	
R6506	D0GD100JA059	M 10 OHM,J,0.25W	1	
R6507-10	D0GF1R0JA047	M 1.0 OHM,J, 0.33W	4	
R6511,12	ERJ6GEYF473	M 47KOHM,J,1/10W	2	
R6516,17	ERJ6GEYF473	M 47KOHM,J,1/10W	2	
R6521,22	ERJ6GEYJ101V	M 100 OHM,J,1/10W	2	
R6523	D0GD750JA059	M 75 OHM,J,0.25W	1	
R6531	D0GD100JA059	M 10 OHM,J,0.25W	1	
R6532,33	ERJ6GEYF473	M 47KOHM,J,1/10W	2	
R6551	D0GD100JA059	M 10 OHM,J,0.25W	1	
R6552,53	ERJ6GEYF473	M 47KOHM,J,1/10W	2	
R6561-64	EXB38V470J	RESISTOR ARRAY	4	
R6565-68	EXB38V472JV	RESISTOR ARRAY	4	
R6580	ERJ6GEYG222	M 2.2KOHM,J,1/10W	1	
R6582,83	ERJ6ENF3902	M 39KOHM, 1/10W	2	
R6584	ERJ6ENF8201	M 8.2KOHM, 1/10W	1	
R6585	ERJ6ENF1801	M 1.8KOHM, 1/10W	1	
R6586	ERJ6ENF1201	M 1.2KOHM, 1/10W	1	
R6587	ERJ6GEYG222	M 2.2KOHM,J,1/10W	1	

Ref. No.	Part No.	Part Name & Description	Pcs	Remarks
R6588	ERJ6GEYG103	M 10KOHM,J,1/10W	1	
R6590	ERJ6GEYG221	M 220 OHM,J,1/10W	1	
R6591	EXB38V472JV	RESISTOR ARRAY	1	
R6592	ERJ6GEYF472	M 4.7KOHM,J,1/10W	1	
R6605	ERJ6GEYG182	M 1.8KOHM,J,1/10W	1	
R6607	D1BD6811A027	M 6.81KOHM, 1/10W	1	
R6608,09	D0GF102JA047	M 1.0 KOHM,J,0.33W	2	
R6610	ERJ6GEYG104	M 100KOHM,J,1/10W	1	
R6612	D0GD470JA059	M 47 OHM,J,0.25W	1	
R6621	ERJ6GEYG221	M 220 OHM,J,1/10W	2	
R6623	ERG2FJS333D	M 33KOHM, J, 2W	1	
R6638,39	D0GF1R0JA047	M 1.0 OHM,J, 0.33W	2	
R6642-44	D0GD330JA059	M 33 OHM,J,1/10W	3	
R6646-48	D0GD330JA059	M 33 OHM,J,1/10W	3	
R6658	D0D1101JA009	M 100 OHM,J,1W	1	
R6659	ERJ6GEYJ224	M 220KOHM,J,1/10W	2	
R6661	ERJ6GEYG104	M 100KOHM,J,1/10W	1	
R6662	ERJ6ENF2201	M 2.2KOHM, 1/10W	1	
R6663	ERJ6GEYG103	M 10KOHM,J,1/10W	1	
R6664	D0GF222JA047	M 2.2 KOHM,J,0.33W	1	
R6665	D0GD470JA059	M 47 OHM,J,0.25W	1	
R6666	ERJ6GEYG104	M 100KOHM,J,1/10W	1	
R6667	ERJ6GEYF472	M 4.7KOHM,J,1/10W	2	
R6671	D0GD470JA059	M 47 OHM,J,0.25W	1	
R6672	ERJ6GEYF473	M 47KOHM,J,1/10W	1	
R6673,74	D0GD470JA059	M 47 OHM,J,0.25W	2	
R6680,81	D0GD100JA059	M 10 OHM,J,0.25W	2	
R6692	D0GZ472JA020	M 4.7KOHM,J, 0.5W	1	
R6693	ERJ6GEYG823	M 82KOHM,J,1/10W	1	
R6694	ERJ6GEYJ273	M 27KOHM,J,1/10W	1	
R6695	ERJ8GEYJ124	M 120KOHM, J,1/8W	1	
R6696	ERF5TK2R2	W 2.2 OHM, K, 5W	1	
R6700-04	ERJ6GEYJ471	M 470 OHM,J,1/10W	5	
R6705,06	ERJ6GEYJ101V	M 100 OHM,J,1/10W	2	
R6707,08	ERJ6GEYJ471	M 470 OHM,J,1/10W	2	
R6709	ERJ6GEYJ101V	M 100 OHM,J,1/10W	1	
R6710-14	ERJ6GEYG222	M 2.2KOHM,J,1/10W	5	
R6717,18	ERJ6GEYG222	M 2.2KOHM,J,1/10W	2	
R6721,22	EXB38V220JV	RESISTOR ARRAY	2	
R6723	ERJ6GEYG182	M 1.8KOHM,J,1/10W	1	
R6724	ERJ6GEYJ101V	M 100 OHM,J,1/10W	1	
R6742	ERJ6GEYG103	M 10KOHM,J,1/10W	1	
R6745	ERJ6GEYF472	M 4.7KOHM,J,1/10W	1	
R6746	D0GD103JA059	M 10KOHM,J,0.25W	2	
R6748	ERJ6GEYG332	M 3.3KOHM,J,1/10W	1	
R6761	D0GD100JA059	M 10 OHM,J,0.25W	1	
R6762	ERJ6GEYF473	M 47KOHM,J,1/10W	1	
R6765	D0GF1R0JA047	M 1.0 OHM,J, 0.33W	1	
R6766	D0GD750JA059	M 75 OHM,J,0.25W	1	
R6768	D0GF1R0JA047	M 1.0 OHM,J, 0.33W	1	
R6769	D0GD750JA059	M 75 OHM,J,0.25W	1	
R6775,76	ERJ6GEYJ101V	M 100 OHM,J,1/10W	2	
R6777	D0GD151JA059	M 150 OHM,J,0.25W	1	
R6781	D0GD470JA059	M 47 OHM,J,0.25W	1	
R6782	ERJ6GEYF473	M 47KOHM,J,1/10W	1	
R6788	ERJ6GEYJ474	M 470KOHM,J,1/10W	1	
R6789	ERJ6GEYF473	M 47KOHM,J,1/10W	1	
R6791	ERJ6GEYG102	M 1KOHM,J,1/10W	1	
R6792	ERJ6GEYG103	M 10KOHM,J,1/10W	1	

Ref. No.	Part No.	Part Name & Description	Pcs	Remarks
R6793	ERJ6GEYJ101V	M 100 OHM,J,1/10W	1	
R6795,96	ERJ6GEYJ104	M 100KOHM,J,1/10W	2	
R6797	ERJ6ENF1692	M16.9KOHM, 1/10W	1	
R6801	ERG2FNJS8R2E	M 8.2 OHM, J, 2W	1	
R6802	ERJ6GEYJ103	M 10KOHM,J,1/10W	1	
R6806,07	ERX12SJ1R5	M 1.5 OHM, J,1/2W	2	
R6808	D0GF272JA047	M 2.7 KOHM,J,0.33W	1	
R6809	ERGLSJ273	M 27KOHM, J, 1W	1	
R6810	ERJ6GEYJ102	M 1KOHM,J,1/10W	1	
R6811	ERJ6GEYJ103	M 10KOHM,J,1/10W	1	
R6812	ERJ6ENF2403	M 24KOHM, 1/10W	1	
R6813	ERJ6ENF1002	M 10KOHM, 1/10W	1	
R6814	ERJ6ENF5601	M 5.6KOHM, 1/10W	1	
R6815	ERJ6ENF2700	M 270 OHM, 1/10W	1	
R6816	D1BD1152A028	M11.5KOHM, 1/10W	1	
R6817	ERJ6ENF2491	M2.49KOHM, 1/10W	1	
R6818	ERJ6GEYJ474	M 47KOHM,J,1/10W	1	
R6821	ERF5TJ221	W 220 OHM, J, 5W	1	
R6822	ERJ12YJ104U	M 100KOHM, 1/2W	1	
R6823	ERG1FJS104D	M 100KOHM, J, 1W	1	
R6824	ERJ6GEYJ392	M 3.9KOHM,J,1/10W	1	
R6825-27	ERJ6ENF2003	M 200KOHM, 1/10W	3	
R6828	ERJ6ENF4701	M 4.7KOHM, 1/10W	1	
R6829,30	ERJ6GEYJ104	M 100KOHM,J,1/10W	2	
R6831	ERJ6GEYJ153	M 15KOHM,J,1/10W	1	
R6832	D0GF4R7JA047	M 4.7 OHM,J, 0.33W	1	
R6833-36	ERJ6ENF7502	M 75KOHM, 1/10W	4	
R6837	ERJ6ENF5602	M 56KOHM, 1/10W	1	
R6839	ERJ6GEYF472	M 4.7KOHM,J,1/10W	1	
R6840	ERX12SJ1R5	M 1.5 OHM, J,1/2W	1	
R6841	ERJ12YJ153U	M 15KOHM, 1/2W	1	
R6842	ERJ12YJ433U	M 43KOHM, 1/2W	1	
R6843	ERJ6GEYJ623	M 62KOHM,J,1/10W	1	
R6844	D0D2101JA021	M 100 OHM,J,2W	1	
R6845-47	ERJ6GEYJ623	M 62KOHM,J,1/10W	3	
R6848	ERJ6GEYJ103	M 10KOHM,J,1/10W	1	
R6849,50	ERJ6ENF6802	M 68KOHM, 1/10W	2	
R6851	ERJ6ENF1802	M 18KOHM, 1/10W	1	
R6852	ERJ6ENF2701	M 2.7KOHM, 1/10W	1	
R6853	ERJ6GEYJ101V	M 100 OHM,J,1/10W	1	
R6855	ERJ12YJ103	M 10KOHM, J, 1/2W	1	
R6856	ERQ12AJW560E	F 56 OHM, J,1/2W	1	
R6857	ERJ12YJ124U	M 120KOHM, 1/2W	1	
R6860	D0D28R2JA021	M 8.2 OHM,J,2W	1	
R6861,62	ERJ6ENF5102	M 51KOHM, 1/10W	2	
R6863	ERJ6ENF5602	M 56KOHM, 1/10W	1	
R6864	ERJ6ENF6801	M 6.8KOHM, 1/10W	1	
R6865	ERJ6ENF3301	M 3.3KOHM, 1/10W	1	
R6866	ERJ6ENF6200	M 620 OHM, 1/10W	1	
R6867	ERJ6GEYJ392	M 3.9KOHM,J,1/10W	1	
R6868	ERJ6GEYJ223	M 22KOHM,J,1/10W	1	
R6869	ERJ6GEYF472	M 4.7KOHM,J,1/10W	1	
R6871-73	ERJ6ENF3902	M 39KOHM, 1/10W	3	
R6874	ERJ6ENF6801	M 6.8KOHM, 1/10W	1	
R6875	ERJ6ENF3301	M 3.3KOHM, 1/10W	1	
R6876	ERJ6RBD561	M 560 OHM, 1/10W	1	
R6877	ERJ6GEYJ392	M 3.9KOHM,J,1/10W	1	
R6878	ERJ6GEYJ223	M 22KOHM,J,1/10W	1	
R6879	ERJ6GEYF472	M 4.7KOHM,J,1/10W	1	
R6886-88	ERJ6GEYJ224	M 220KOHM,J,1/10W	3	
R6891	ERJ6GEYJ183	M 18KOHM,J,1/10W	1	
R6901	ERJ6GEYJ101V	M 100 OHM,J,1/10W	1	
R6902-04	ERJ3GEYJ220	M 22 OHM,J,1/16W	3	
R6905	ERJ6GEYJ221	M 220 OHM,J,1/10W	1	

Ref. No.	Part No.	Part Name & Description	Pcs	Remarks
R6909	ERJ6GEYJ221	M 220 OHM,J,1/10W	1	
R6913	ERJ6GEYJ221	M 220 OHM,J,1/10W	1	
R6917	ERJ6GEYJ221	M 220 OHM,J,1/10W	1	
R6924	ERJ6GEYJ221	M 220 OHM,J,1/10W	1	
R6925,26	J0JCC0000100	CHIP INDUCTOR	2	
R6931-34	ERJ6GEYJ103	M 10KOHM,J,1/10W	4	
R6935,36	ERJ8GEYJ224	M 220KOHM, J,1/8W	2	
R6938	ERJ6GEYJ103	M 10KOHM,J,1/10W	1	
R6951	ERJ6GEYJ101V	M 100 OHM,J,1/10W	1	
R6952-54	ERJ3GEYJ220	M 22 OHM,J,1/16W	3	
R6955	ERJ6GEYJ221	M 220 OHM,J,1/10W	1	
R6959	ERJ6GEYJ221	M 220 OHM,J,1/10W	1	
R6963	ERJ6GEYJ221	M 220 OHM,J,1/10W	1	
R6967	ERJ6GEYJ221	M 220 OHM,J,1/10W	1	
R6971	ERJ6GEYJ221	M 220 OHM,J,1/10W	1	
R6975,76	J0JCC0000100	CHIP INDUCTOR	2	
R6981-84	ERJ6GEYJ103	M 10KOHM,J,1/10W	4	
R6985,86	ERJ8GEYJ224	M 220KOHM, J,1/8W	2	
R6989	ERJ6GEYJ103	M 10KOHM,J,1/10W	1	
R7112	D0GF472JA047	M 4.7KOHM,J, 0.33W	1	
R7119	EXB38V220JV	RESISTOR ARRAY	1	
R7122-25	D0GZ6R8JA020	M 6.8 OHM,J, 0.5W	4	
R7126	ERJ6GEYJ224	M 220KOHM,J,1/10W	1	
R7130-36	EXB38V471J	RESISTOR ARRAY	7	
R7142-45	D0GZ6R8JA020	M 6.8 OHM,J, 0.5W	4	
R7151-54	D0GZ6R8JA020	M 6.8 OHM,J, 0.5W	4	
R7155	EXB38V102J	RESISTOR ARRAY	1	
R7159	EXB38V470J	RESISTOR ARRAY	1	
R7162	EXB38V471J	RESISTOR ARRAY	1	
R7171-74	D0GZ6R8JA020	M 6.8 OHM,J, 0.5W	4	
R7177	EXB38V102J	RESISTOR ARRAY	1	
R7180	ERJ3GEYJ470	M 47 OHM,J,1/16W	1	
R7184	EXB38V220JV	RESISTOR ARRAY	1	
R7185	D0GB102JA057	M 1KOHM,J,1/16W	1	
R7186	J0JCC0000100	CHIP INDUCTOR	1	
R7212-15	D0GZ6R8JA020	M 6.8 OHM,J, 0.5W	4	
R7219	ERJ6GEYJ224	M 220KOHM,J,1/10W	1	
R7223-26	D0GZ6R8JA020	M 6.8 OHM,J, 0.5W	4	
R7229	ERJ6GEY0R00V	M 0 OHM, 1/10W	1	
R7232-35	D0GZ6R8JA020	M 6.8 OHM,J, 0.5W	4	
R7238	EXB38V471J	RESISTOR ARRAY	1	
R7245	EXB38V102J	RESISTOR ARRAY	1	
R7249	EXB38V220JV	RESISTOR ARRAY	1	
R7250	EXB38V470J	RESISTOR ARRAY	1	
R7257	ERJ3GEYJ470	M 47 OHM,J,1/16W	1	
R7258	EXB38V102J	RESISTOR ARRAY	1	
R7262-65	D0GZ6R8JA020	M 6.8 OHM,J, 0.5W	4	
R7269	D0GF472JA047	M 4.7KOHM,J, 0.33W	1	
R7273-79	EXB38V471J	RESISTOR ARRAY	7	
R7280	D0GB102JA057	M 1KOHM,J,1/16W	1	
R7281	ERJ6GEYJ102	M 1KOHM,J,1/10W	1	
R7285	EXB38V220JV	RESISTOR ARRAY	1	
R7286	J0JCC0000100	CHIP INDUCTOR	1	
R7288,89	EXB38V222J	RESISTOR ARRAY	2	
R7290,91	EXB38V470J	RESISTOR ARRAY	2	
R8001-04	ERJ3GEYJ101	M 100 OHM,J,1/16W	4	
R8005	D0GB103JA057	M 10KOHM,J,1/16W	1	

Ref. No.	Part No.	Part Name & Description	Pcs	Remarks
R8007	ERJ6GEY0R00V	M 0 OHM, 1/10W	1	
R8009-12	ERJ3GEYJ221	M 220 OHM,J,1/16W	4	
R8017, 18	ERJ3GEYJ562	M 5.6KOHM,J,1/16W	2	
R8021	ERJ3GEYJ222	M 2.2KOHM,J,1/16W	1	
R8025	J0JCC0000100	CHIP INDUCTOR	1	
R8026	ERJ3GEYJ331	M 330 OHM,J,1/16W	1	
R8029	ERJ6GENF3001	M 3KOHM, 1/10W	1	
R8031	ERJ6GENF2201	M 2.2KOHM, 1/10W	1	
R8033	ERJ3GEYJ104	M 100KOHM,J,1/16W	1	
R8035	ERJ6GENF3300	M 330 OHM, 1/10W	1	
R8036	ERJ6GENF1500	M 150 OHM, 1/10W	1	
R8037	ERJ6GENF4701	M 4.7KOHM, 1/10W	1	
R8039	ERJ6GENF4701	M 4.7KOHM, 1/10W	1	
R8041	D0GB183JA057	M 18KOHM,J,1/16W	1	
R8045	ERJ3GEYJ222	M 2.2KOHM,J,1/16W	1	
R8047	ERJ3GEYJ271	M 270 OHM,J,1/16W	1	
R8048	ERJ3GEYJ222	M 2.2KOHM,J,1/16W	1	
R8050	ERJ3GEYJ222	M 2.2KOHM,J,1/16W	1	
R8051	D0GB103JA057	M 10KOHM,J,1/16W	1	
R8054	J0JCC0000100	CHIP INDUCTOR	1	
R8055, 56	ERJ3GEYJ101	M 100 OHM,J,1/16W	2	
R8057	D0GB102JA057	M 1KOHM,J,1/16W	1	
R8060	J0JCC0000100	CHIP INDUCTOR	1	
R8065	ERJ3GEYJ911	M 910 OHM,J,1/16W	1	
R8067	D0GB151JA057	M 150 OHM,J,1/16W	1	
R8069	ERJ6GEYJ222	M 2.2KOHM,J,1/10W	1	
R8072	J0JCC0000100	CHIP INDUCTOR	1	
R8089	D0GB181JA057	M 180 OHM,J,1/16W	1	
R8093	ERJ3GEYJ101	M 100 OHM,J,1/16W	1	
R8094	ERJ6GEY0R00V	M 0 OHM, 1/10W	1	
R8096	ERJ6GEY0R00V	M 0 OHM, 1/10W	1	
R8097	ERJ3GEYJ101	M 100 OHM,J,1/16W	1	
R8100	D0GB103JA057	M 10KOHM,J,1/16W	1	
R8112	J0JCC0000100	CHIP INDUCTOR	1	
R8117-20	J0JCC0000100	CHIP INDUCTOR	4	
R8121, 22	ERJ3GEYJ272	M 2.7KOHM,J,1/16W	2	
R8124-27	ERJ3GEYJ101	M 100 OHM,J,1/16W	4	
R8129	ERJ6GEY0R00V	M 0 OHM, 1/10W	1	
R8180	ERJ8GEYJ820V	M 82 OHM, J,1/8W	1	
R8181, 82	ERJ3GEYJ101	M 100 OHM,J,1/16W	2	
R8183, 84	J0JCC0000100	CHIP INDUCTOR	2	
R8185, 86	ERJ3GEYJ272	M 2.7KOHM,J,1/16W	2	
R8187, 88	ERJ3GEYJ560	M 56 OHM,J,1/16W	2	
R8189, 90	J0JCC0000100	CHIP INDUCTOR	2	
R8200	ERJ3GEYJ563	M 56KOHM,J,1/16W	1	
R8201	D0GB473JA057	M 47KOHM,J,1/16W	1	
R8202	ERJ3GEYJ223	M 22KOHM,J,1/16W	1	
R8203	D0GB103JA057	M 10KOHM,J,1/16W	1	
R8204	ERJ3GEYJ104	M 100KOHM,J,1/16W	1	
R8205	D0GB753JA057	M 75KOHM,J,1/16W	1	
R8206	D0GB393JA041	M 39KOHM,J,1/16W	1	
R9062-67	ERJ3GEYJ101	M 100 OHM,J,1/16W	6	
R9070	ERJ3GEYJ470	M 47 OHM,J,1/16W	1	
R9099	D0GB103JA057	M 10KOHM,J,1/16W	1	
R9101, 02	D0GB103JA057	M 10KOHM,J,1/16W	2	
R9104, 05	D0GB103JA057	M 10KOHM,J,1/16W	2	
R9107	ERJ3GEYJ332	M 3.3KOHM,J,1/16W	1	
R9108, 09	D0GB103JA057	M 10KOHM,J,1/16W	2	
R9110	ERJ3GEYJ101	M 100 OHM,J,1/16W	1	
R9112	D0GB103JA057	M 10KOHM,J,1/16W	1	
R9113	ERJ3GEYJ100	M 10 OHM,J,1/16W	1	

Ref. No.	Part No.	Part Name & Description	Pcs	Remarks
R9115, 16	ERJ3GEYJ101	M 100 OHM,J,1/16W	2	
R9119	EXB38V470J	RESISTOR ARRAY	1	
R9120	ERJ3GEYJ101	M 100 OHM,J,1/16W	1	
R9121	ERJ3GEYJ104	M 100KOHM,J,1/16W	1	
R9122, 23	D0GB103JA057	M 10KOHM,J,1/16W	2	
R9126	D0GB103JA057	M 10KOHM,J,1/16W	1	
R9127	ERJ3GEYJ683	M 68KOHM,J,1/16W	1	
R9129	ERJ3GEYJ683	M 68KOHM,J,1/16W	1	
R9131-33	ERJ3GEYJ472	M 4.7KOHM,J,1/16W	3	
R9134	ERJ3GEYJ333	M 33KOHM,J,1/16W	1	
R9135	ERJ3GEYJ472	M 4.7KOHM,J,1/16W	1	
R9141-45	ERJ3GEYJ101	M 100 OHM,J,1/16W	5	
R9149	ERJ3GEYJ472	M 4.7KOHM,J,1/16W	1	
R9150, 51	ERJ3GEYJ220	M 22 OHM,J,1/16W	2	
R9154, 55	ERJ3GEYJ562	M 5.6KOHM,J,1/16W	2	
R9156	D0GB103JA057	M 10KOHM,J,1/16W	1	
R9158, 59	D0GB103JA057	M 10KOHM,J,1/16W	2	
R9160, 61	J0JCC0000100	CHIP INDUCTOR	2	
R9164, 65	ERJ3GEYJ222	M 2.2KOHM,J,1/16W	2	
R9166	D0GB103JA057	M 10KOHM,J,1/16W	1	
R9167	ERJ3GEYJ101	M 100 OHM,J,1/16W	1	
R9170-72	D0GB393JA041	M 39KOHM,J,1/16W	3	
R9173, 74	D0GB103JA057	M 10KOHM,J,1/16W	2	
R9177	ERJ3GEYJ223	M 22KOHM,J,1/16W	1	
R9181-84	D0GB102JA057	M 1KOHM,J,1/16W	4	
R9185, 86	ERJ3GEYJ220	M 22 OHM,J,1/16W	2	
R9187, 88	ERJ3GEYJ562	M 5.6KOHM,J,1/16W	2	
R9189, 90	D0GB103JA057	M 10KOHM,J,1/16W	2	
R9193	D0GB103JA057	M 10KOHM,J,1/16W	1	
R9194	J0JCC0000100	CHIP INDUCTOR	1	
R9196	D0GB103JA057	M 10KOHM,J,1/16W	1	
R9199	ERJ3GEYJ272	M 2.7KOHM,J,1/16W	1	
R9200, 01	ERJ3GEYJ100	M 10 OHM,J,1/16W	2	
R9203	D0GB102JA057	M 1KOHM,J,1/16W	1	
R9205	ERJ3GEYJ472	M 4.7KOHM,J,1/16W	1	
R9206, 07	D0GB102JA057	M 1KOHM,J,1/16W	2	
R9215	D0GB123JA057	M 12KOHM,J,1/16W	1	
R9217-22	D0GB103JA057	M 10KOHM,J,1/16W	6	
R9223	ERJ3GEYJ272	M 2.7KOHM,J,1/16W	1	
R9225	ERJ3GEYJ272	M 2.7KOHM,J,1/16W	1	
R9237	D0GB103JA057	M 10KOHM,J,1/16W	1	
R9240	J0JCC0000100	CHIP INDUCTOR	1	
R9317	ERJ3GEYJ391	M 390 OHM,J,1/16W	1	
R9347, 48	EXB2HV220JV	RESISTOR ARRAY	2	
R9349	EXB2HV470JV	RESISTOR ARRAY	1	
R9350, 51	ERJ3GEYJ220	M 22 OHM,J,1/16W	2	
R9352	EXB2HV220JV	RESISTOR ARRAY	1	
R9354-56	EXB2HV220JV	RESISTOR ARRAY	3	
R9361, 62	ERJ3GEYJ220	M 22 OHM,J,1/16W	2	
R9363	EXB2HV470JV	RESISTOR ARRAY	1	
R9369	ERJ3GEYJ472	M 4.7KOHM,J,1/16W	1	
R9370	D0GB103JA057	M 10KOHM,J,1/16W	1	
R9371	ERJ3GEYJ104	M 100KOHM,J,1/16W	1	
R9379	J0JCC0000100	CHIP INDUCTOR	1	
R9380	ERJ3GEYJ560	M 56 OHM,J,1/16W	1	

Ref. No.	Part No.	Part Name & Description	Pcs	Remarks
R9383	D0GB102JA057	M 1KOHM,J,1/16W	1	
R9384,85	ERJ3GEYJ472	M 4.7KOHM,J,1/16W	2	
R9391	ERJ3GEYJ104	M 100KOHM,J,1/16W	1	
R9392,93	J0JCC0000100	CHIP INDUCTOR	2	
R9396-99	ERJ3GEYJ220	M 22 OHM,J,1/16W	4	
R9402	ERJ6GEY0R00V	M 0 OHM, 1/10W	1	
R9403	EXB2HV470JV	RESISTOR ARRAY	1	
R9500	D0GB103JA057	M 10KOHM,J,1/16W	1	
R9502	D0GB103JA057	M 10KOHM,J,1/16W	1	
R9503	ERJ3GEYJ470	M 47 OHM,J,1/16W	1	
R9506	ERJ3GEYJ220	M 22 OHM,J,1/16W	1	
R9507	J0JCC0000100	CHIP INDUCTOR	1	
R9511-13	ERJ3GEYJ470	M 47 OHM,J,1/16W	3	
R9516	D0GB103JA057	M 10KOHM,J,1/16W	1	
R9518	J0JCC0000100	CHIP INDUCTOR	1	
R9523	ERJ3GEYJ472	M 4.7KOHM,J,1/16W	1	
R9525	D0GB103JA057	M 10KOHM,J,1/16W	1	
R9526	J0JCC0000100	CHIP INDUCTOR	1	
R9530	D0GB103JA057	M 10KOHM,J,1/16W	1	
R9531-33	ERJ3GEYJ470	M 47 OHM,J,1/16W	3	
R9534	EXB38V470J	RESISTOR ARRAY	1	
R9535,36	ERJ3GEYJ470	M 47 OHM,J,1/16W	2	
R9538,39	D0GB103JA057	M 10KOHM,J,1/16W	2	
R9541	D0GB103JA057	M 10KOHM,J,1/16W	1	
R9543,44	D0GB103JA057	M 10KOHM,J,1/16W	2	
R9545	ERJ3GEYJ304	M 300KOHM,J,1/16W	1	
R9548-50	D0GB103JA057	M 10KOHM,J,1/16W	3	
R9552	D0GB103JA057	M 10KOHM,J,1/16W	1	
R9553,54	J0JCC0000100	CHIP INDUCTOR	2	
R9557,58	J0JCC0000100	CHIP INDUCTOR	2	
R9561	EXB38V222J	RESISTOR ARRAY	1	
R9562	ERJ3GEYJ470	M 47 OHM,J,1/16W	1	
R9563-66	EXB2HV470JV	RESISTOR ARRAY	4	
R9567	D0GB103JA057	M 10KOHM,J,1/16W	1	
R9569	J0JCC0000100	CHIP INDUCTOR	1	
R9824-27	ERJ3GEYJ101	M 100 OHM,J,1/16W	4	
R9828	ERJ3GEYJ104	M 100KOHM,J,1/16W	1	
R9839	EXB38V101JV	RESISTOR ARRAY	1	
R9840	ERJ3GEYJ220	M 22 OHM,J,1/16W	1	
R9845	D0GB103JA057	M 10KOHM,J,1/16W	1	
R9846,47	EXB2HV222JV	RESISTOR ARRAY	2	
R9848,49	EXB2HV470JV	RESISTOR ARRAY	2	
R9850	D0GB473JA057	M 47KOHM,J,1/16W	1	
R9854	ERJ3GEYJ101	M 100 OHM,J,1/16W	1	
R9859	EXB38V101JV	RESISTOR ARRAY	1	
R9861-63	D0GB103JA057	M 10KOHM,J,1/16W	3	
R9868	ERJ3GEYJ104	M 100KOHM,J,1/16W	1	
R9869-71	D0GB103JA057	M 10KOHM,J,1/16W	3	
R9872	J0JCC0000100	CHIP INDUCTOR	1	
R9874	J0JCC0000100	CHIP INDUCTOR	1	
R9878	ERJ3EKF1102	M 11KOHM, 1/16W	1	
R9879	ERJ3EKF1302	M 13KOHM, 1/16W	1	
R9886,87	ERJ3EKF5602	M 56KOHM, 1/16W	2	
R9888	ERJ3EKF1102	M 11KOHM, 1/16W	1	
R9889	ERJ3EKF1742	M17.2KOHM, 1/16W	1	
R9890	ERJ3EKF4752	M47.5KOHM, 1/16W	1	
R9891	ERJ3EKF1272	M12.7KOHM, 1/16W	1	
R9892	ERJ3GEYJ104	M 100KOHM,J,1/16W	1	

Ref. No.	Part No.	Part Name & Description	Pcs	Remarks
R9893	ERJ3EKF5602	M 56KOHM, 1/16W	1	
R9894	ERJ3EKF1102	M 11KOHM, 1/16W	1	
R9895	ERJ3GEYJ104	M 100KOHM,J,1/16W	1	
R9896	ERJ3EKF1822	M18.2KOHM, 1/16W	1	
R9897	ERJ3EKF4752	M47.5KOHM, 1/16W	1	
R9901,02	J0JCC0000100	CHIP INDUCTOR	2	
R9903	EXB2HV470JV	RESISTOR ARRAY	1	
R9904	ERJ3GEYJ470	M 47 OHM,J,1/16W	1	
R9905	ERJ3GEYJ330	M 33 OHM,J,1/16W	1	
R9906	EXB38V470J	RESISTOR ARRAY	1	
R9907	D0GB151JA057	M 150 OHM,J,1/16W	1	
R9908-11	J0JCC0000100	CHIP INDUCTOR	4	
R9912	D0GB103JA057	M 10KOHM,J,1/16W	1	
R9915-18	J0JCC0000100	CHIP INDUCTOR	4	
R9919	D0GB102JA057	M 1KOHM,J,1/16W	1	
R9922	J0JCC0000100	CHIP INDUCTOR	1	
R9928,29	J0JCC0000100	CHIP INDUCTOR	2	
R9936-39	ERJ3EKF1001	M 1KOHM, 1/16W	4	
R9940	ERJ3GEYJ330	M 33 OHM,J,1/16W	1	
R9941,42	ERJ3GEYJ470	M 47 OHM,J,1/16W	2	
R9943-51	EXB38V470J	RESISTOR ARRAY	9	
R9952-55	ERJ3GEYJ470	M 47 OHM,J,1/16W	4	
R9956	D0GB103JA057	M 10KOHM,J,1/16W	1	
R9960	J0JCC0000100	CHIP INDUCTOR	1	
R9961	D0GB103JA057	M 10KOHM,J,1/16W	1	
RL401-03	K6B1CGA00055	REALY	3	△
RM2501	PNA4701M05TV	REMOCON RECEIVER	1	
S1	K1KA03BA0061	3P CONNECTOR	1	
S401,02	J0LT00000009	SWITCH	2	△
SC2	K1KA02A00626	2P CONNECTOR	1	
SC20	K1KY30AA0369	30P CONNECTOR	1	
SC30	K1KA10AA0191	10P CONNECTOR	1	
SC41,42	K1ML80B00001	80P CONNECTOR	2	
SC45,46	K1KA09A00239	9P CONNECTOR	2	
SCMM1, M2	TMME260	CLAMPER	2	
SD1-D4	K1MN96B00005	96P CONNECTOR	4	
SD46	K1KB09AA0213	9P CONNECTOR	1	
SS11	K1KA02A00626	2P CONNECTOR	1	
SS12	K1KA10AA0194	10P CONNECTOR	1	
SS23	K1KA12AA0194	12P CONNECTOR	1	
SS34	K1KA03AA0193	3P CONNECTOR	1	
SS53A-6A	K1MN13BA0258	13P CONNECTOR	4	
SU1-U4	K1MN96B00005	96P CONNECTOR	4	
SU45	K1KB09AA0213	9P CONNECTOR	1	
SW2500	K0F162B00002	SWITCH	1	
SW3753-57	EVQ11G05R	SWITCH	5	
T401	G4D4A0000123	SWITCHING TRANS	1	
T402	G4D1A0000128	SWITCHING TRANS	1	△
T404	ETS42LB11GAD	SWITCHING TRANS	1	△
T410	G4D2A0000283	SWITCHING TRANS	1	△
T601	G4D2A0000284	SWITCHING TRANS	1	
T6602	ETS25AZ169AD	SWITCHING TRANS	1	

Ref. No.	Part No.	Part Name & Description	Pcs	Remarks
VR6000	EVMEASA00B14	CONTROL 10KOHMB 0.3W	1	
VR6600	EVMEASA00B13	CONTROL 1KOHMB 0.3W	1	
VR6602	EVMEASA00B53	CONTROL 5KOHMB 0.3W	1	
W13	ERJ6GEY0R00V	M 0 OHM, 1/10W	1	
W46	ERJ6GEY0R00V	M 0 OHM, 1/10W	1	
X501	H2B400400021	CRYSTAL	1	
X2301	H0J184500026	CRYSTAL	1	
X4501	H0J200500038	CRYSTAL	1	
X4701	H0J100500030	CRYSTAL	1	
X8181	H0J327200114	CRYSTAL	1	
X9000	H2D100500004	CRYSTAL	1	
X9200	H0J200500038	CRYSTAL	1	
Z1-Z3	K4ZZ01000206	TERMINAL	3	
ZA3001	K4CD01000013	AV TERMINAL	1	
ZA3002	K4CD01000011	AV TERMINAL	1	
ZA3003-08	K4CD01000013	AV TERMINAL	6	
ZA400102	K4CD01000011	AV TERMINAL	2	
ZA600102	K4CD01000011	AV TERMINAL	2	
ZA6005	K4CD01000011	AV TERMINAL	1	
ZA6401-03	K4CD01000011	AV TERMINAL	3	
ZA7101-04	K4AD01Z00001	TERMINAL	4	
ZA7201-04	K4AD01Z00001	TERMINAL	4	
ZA9001	K4CD01000011	AV TERMINAL	1	
ZN401,02	D4EAD6210001	VARISTOR	2	△
ZN403	ERZVGAD681T2	VARISTOR	1	△
ZN404,05	ERZVA7D511	VARISTOR	2	△