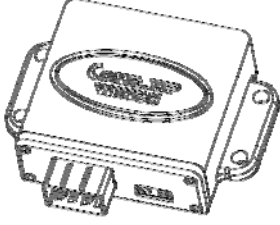
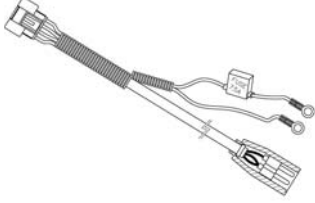





# INSTALLATION GUIDE

FC CE0678

Part No.881262

<p><b>RF-24 Wireless Remote Control For Automotive Winches</b></p>	<p>1.</p> 	<p>2.</p> 	
<p>Wireless Control Kit includes:</p> <ol style="list-style-type: none"> <li>1. Wireless Receiver.881103</li> <li>2. Switch Cord W/6P plugs Ø8 X 1500 mm</li> <li>3. Wireless Transmitter.881102</li> <li>4. Lithium Battery: 3V CR2032</li> <li>5. Handsaver Strap</li> </ol>	<p>3.</p> 	<p>4.</p> 	<p>5.</p> 

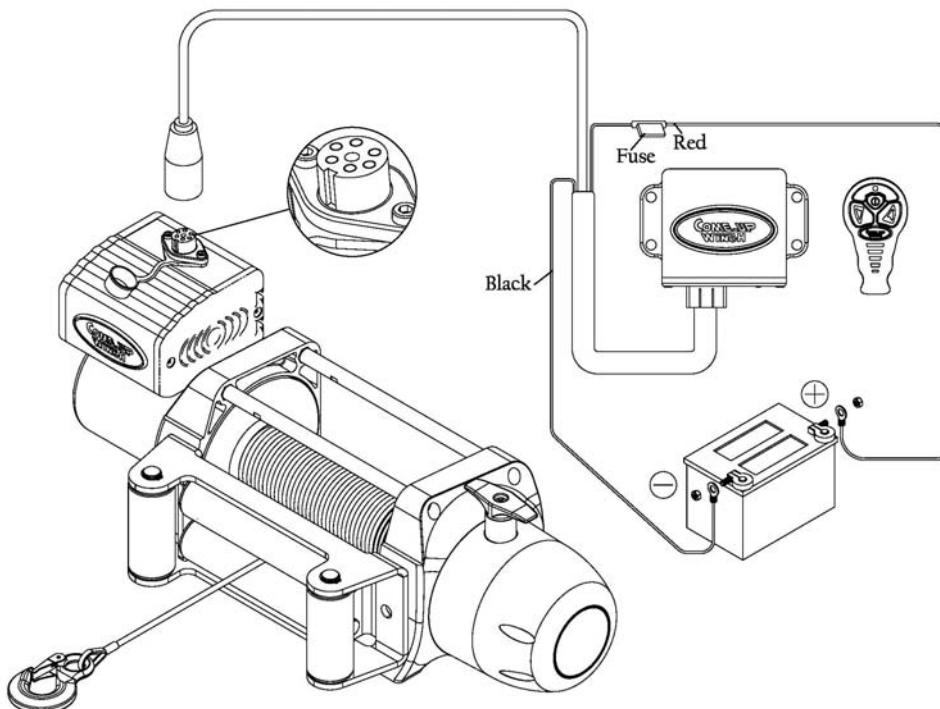
## I. Specifications

1. Transmission range: 15 ~ 27 m (50 ~ 90 ft)
2. Receiver operation voltage: 8 ~ 24 V
3. Receiver fuse current rating: 7.5 A
4. Protection: IP-66
5. Operating Temperature Range: -20°C ~ +70°C

## II. Installation Guide

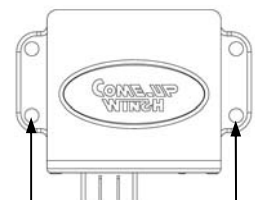
Step 1: Connect the wiring

- a. Connect the Switch cord W/6P plugs to the socket on the control pack.
- b. Slice the Red wire to the receiver fuse then connect to the positive (+) terminal of the battery.
- c. Connect the Black wire to the negative (-) terminal of the battery.



Step 2: Mount the Receiver

- a. The receiver should be mounted in a clear and dry location.
- b. Mount on a flat surface with 2 pieces of Ø7 mm mounting holes on each side of the receiver.

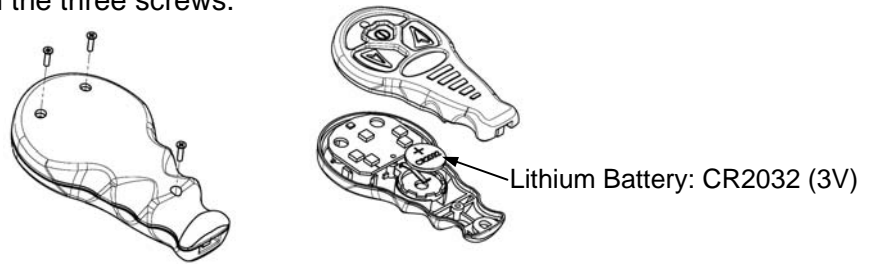


Minimum of one mounting hole each side

### III Operation

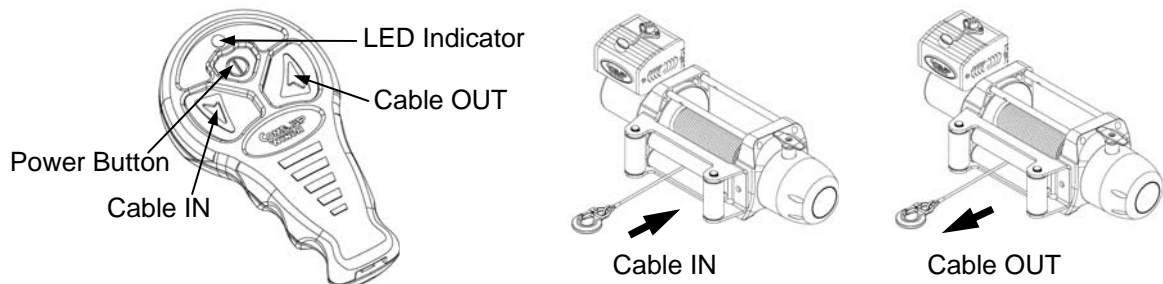
#### 1. Install and replace battery.

- a. Remove the three screws from the wireless transmitter.
- b. Separate the top section and remove the old battery and dispose it.
- c. Insert new battery and join the top section with the bottom section.
- d. Make sure to fasten the three screws.



#### 2. Start

- a. Turn on the Vehicle.
- b. Press the Power Buttons for 5 seconds until Green light comes on.
- c. Press the Cable In or Cable Out button after the Red light comes on.



#### 3. Stop

- a. The system will be automatically shutting down the operation after a silence of operation for 5 minutes.
- b. Press and hold the Power Button for 5 seconds for shutting down the operation.



#### 4. Reset

- a. Press and hold the Programming Button for 5 seconds until the Red lights up ◦
- b. Press the Power Buttons for 5 seconds until the Red flashing.
- c. Press the Cable In or Out button until the Red lights on the receiver turns off.
- d. Reset is now completed. Please note only one remote can be reset for each receiver.

#### 5. Notes

- a. The wireless remote control and handlebar trigger switch can be exchanged for activating the winch, but it takes about 10 seconds for exchanging ◦
- b. The flashing Red light shows batter low, the battery should be replaced immediately.
- c. Please note only one remote can be reset for each receiver

#### FCC and Industry Canada (IC) Warning:

- This device complies with Part 15 of the FCC Rules. Operation is subject to the following two conditions: (1) This device may not cause harmful interference, and (2) this device must accept any interference received, including interference that may cause undesired operation.

#### RF exposure warning

The equipment complies with FCC RF exposure limits set forth for an uncontrolled environment.

The equipment must not be co-located or operating in conjunction with any other antenna or transmitter.

#### CAUTION:

Any changes or modifications not expressly approved by the grantee of this device could void the user's authority to operate the equipment.