



OneCell®

# Outdoor Radio Point Installation

**Document Number: 913032**

**Document Revision: 1.04**

**Date: February 2016**

## What's in the box

The outdoor Radio Point (RP) ships with the following hardware:

- Radio Point with mounting plate and brackets attached
- Four mounting screws (M5 x 10mm)
- RJ45, IP67 connector
- Two N-type antenna couplers

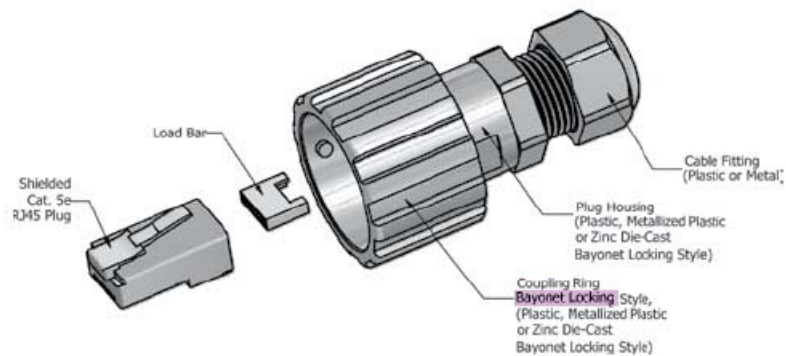
Mounting the Radio Point (RP) on a pole requires the following hardware provided by the system integrator:

- Two adjustable clamps

Mounting the Radio Point (RP) on a wall requires the following hardware provided by the system integrator:

- Four molly screws capable – 50 lb (23 kg) minimum rating

Before installing the RP on the pole, terminate the RP end of the Ethernet cable with the RJ45, IP67 connector provided in the box.



### NOTE

For more information on installing Radio Points, see *OneCell Installation and Commissioning* (913025).

## Pole mount installation

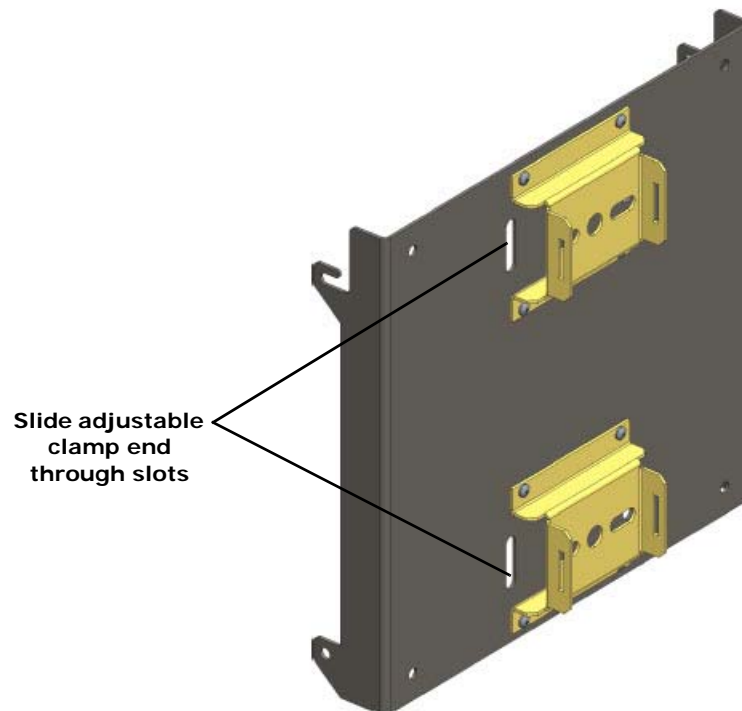


**NOTE**

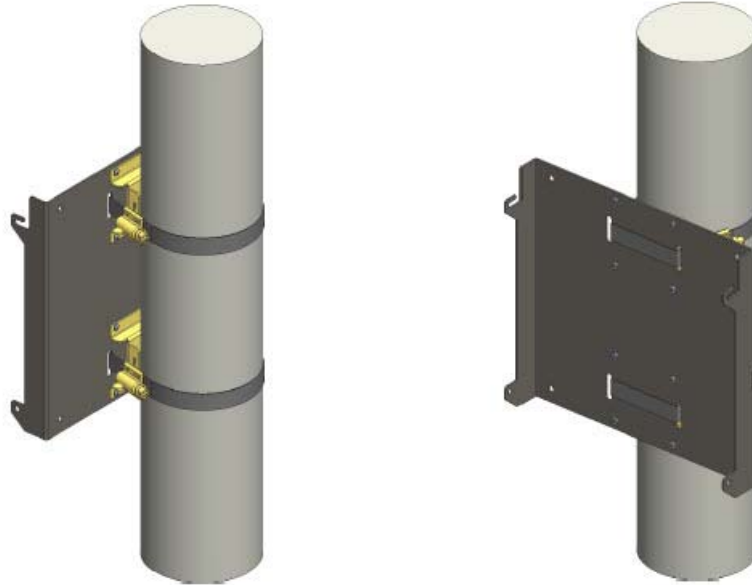
---

The minimum pole diameter requirement is 4" (102mm).

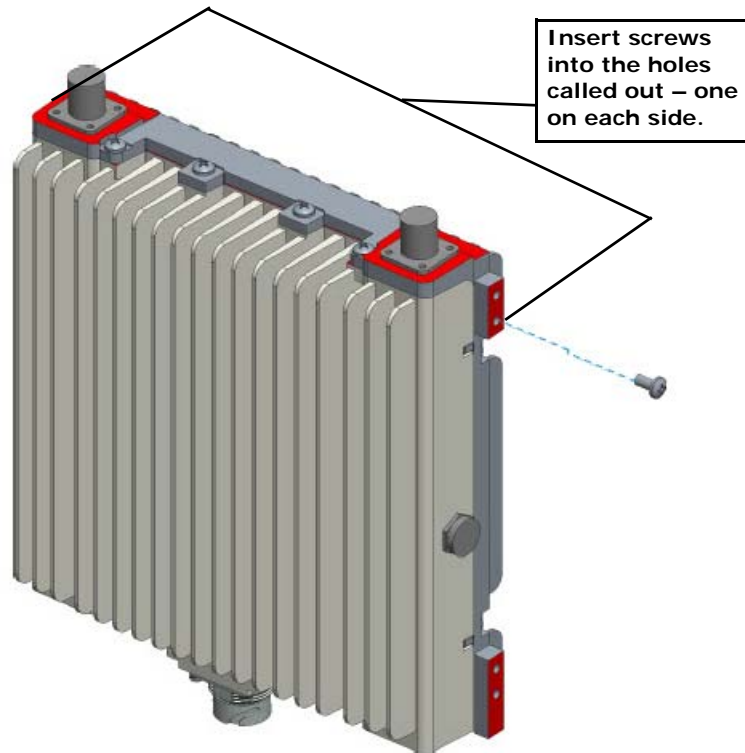
- 1 Slide the adjustable clamp through the slots on each RP mounting bracket on the RP plate.



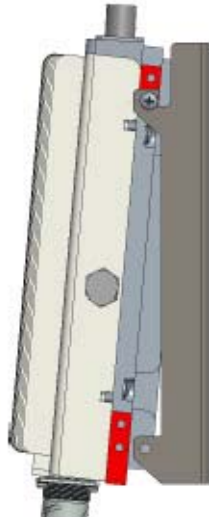
- 2** Wrap each clamp around the pole and tighten the clamp screw to secure the RP to the pole.



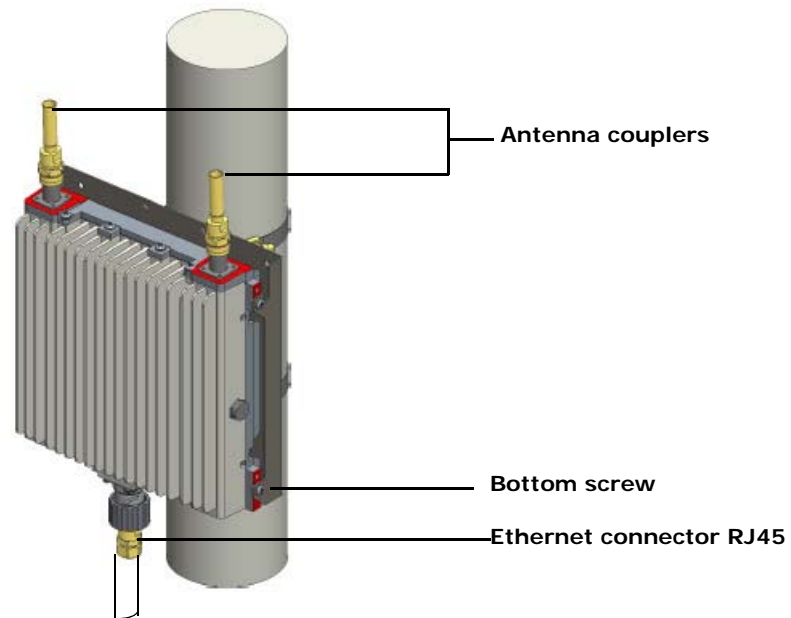
- 3** Insert two screws into the upper holes on opposite sides of the RP as shown in the drawing below.



- 4 Hang the RP to the mounting bracket using the installed screws. Align holes at bottom location of bracket and install two additional screws. Tighten all four screws.



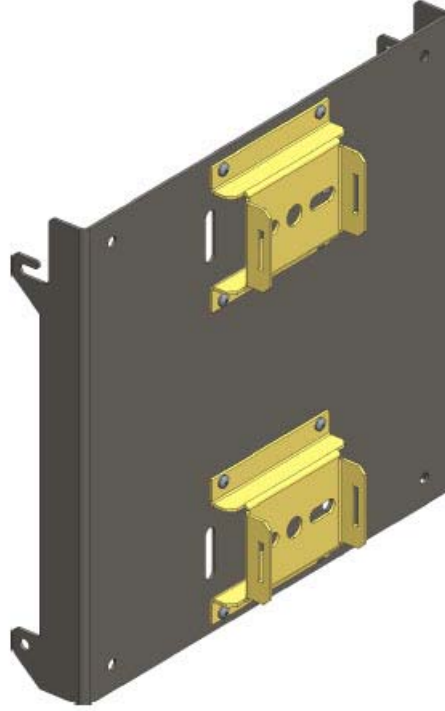
- 5 Insert and tighten the bottom screws through the plate hole into both sides of the RP.
- 6 Connect the antenna couplers on the top of the RP.
- 7 Connect the Ethernet cable RJ45 end to the bottom of the RP.



Installation complete. To configure the RP, see the commissioning procedures in *OneCell Installation and Commissioning (913025)*.

## Wall mount installation

- 1 Remove the brackets from the back of the mounting plate.

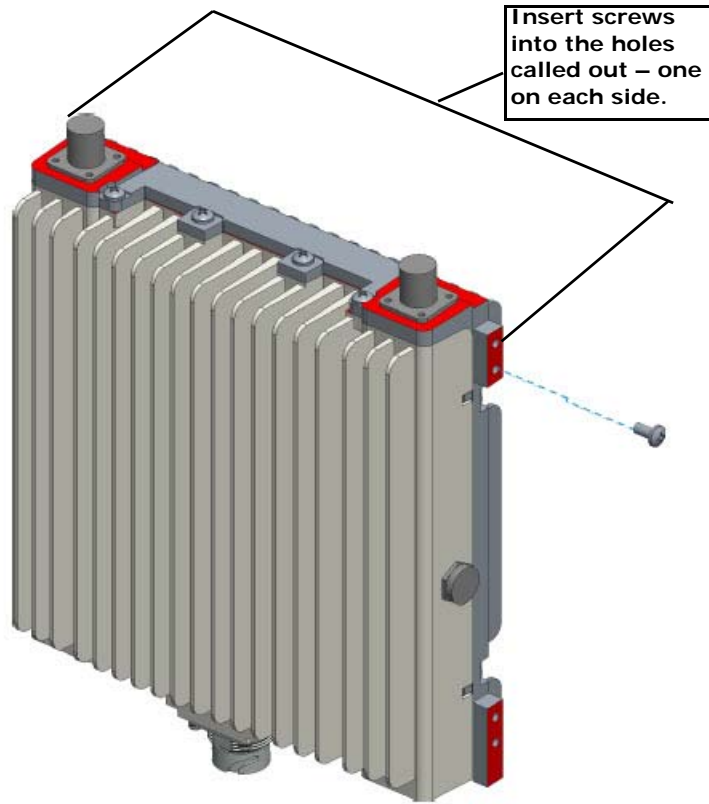


- 2 Drill four holes in the wall using the mounting plate to determine the hole locations. Mount the backplate on the wall with four molly screws.

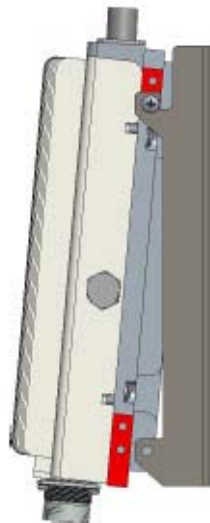




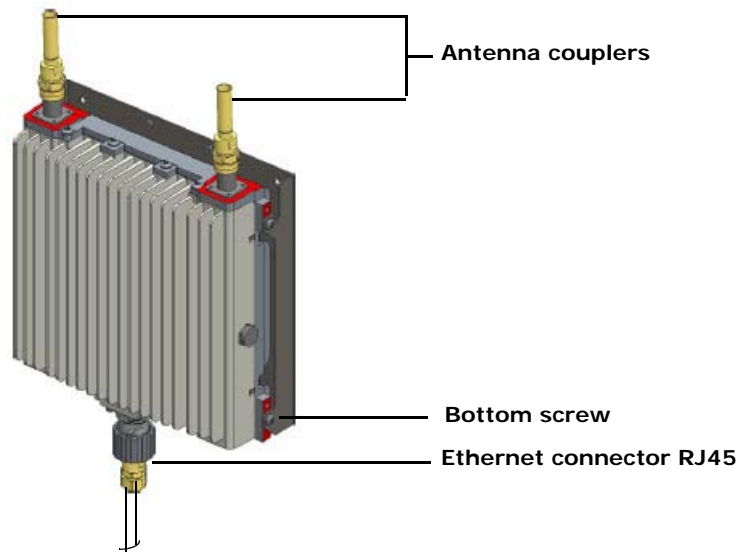
- 3** Insert two screws into the upper holes on opposite sides of the RP as shown in the drawing below.



- 4** Attach the RP to the mounting plate. Tighten the screws on the RP.



- 5 Insert and tighten the bottom screws through the plate hole into both sides of the RP.
- 6 Connect the antenna couplers on the top of the RP.
- 7 Connect the Ethernet cable RJ45 end to the bottom of the RP.



Installation complete. To configure the RP, see the commissioning procedures in *OneCell Installation and Commissioning (913025)*.