



Thank you for purchasing the LevelMatePRO vehicle leveling system. This product was designed for ease of use and utilizes the best possible components to achieve accuracy you can count on. LevelMatePRO is proudly made in the USA.



As with all electronic devices, they are susceptible to damage by static electricity discharge. Before removing the cover of this product be sure to discharge the static electricity in your body by touching a piece of grounded metal.

FCC STATEMENT

- This device complies with Part 15 of the FCC Rules. Operation is subject to the following two conditions:
 - This device may not cause harmful interference.
 - This device must accept any interference received, including interference that may cause undesired operation.
- Changes or modifications not expressly approved by the party responsible for compliance could void the user's authority to operate the equipment.

NOTE: This equipment has been tested and found to comply with the limits for a Class B digital device, pursuant to Part 15 of the FCC Rules. These limits are designed to provide reasonable protection against harmful interference in a residential installation. This equipment generates uses and can radiate radio frequency energy and, if not installed and used in accordance with the instructions, may cause harmful interference to radio communications. However, there is no guarantee that interference will not occur in a particular installation. If this equipment does cause harmful interference to radio or television reception, which can be determined by turning the equipment off and on, the user is encouraged to try to correct the interference by one or more of the following measures:

- Reorient or relocate the LevelMatePRO unit.
- Increase the separation between the equipment and receiver.
- Consult the dealer or an experienced radio/TV technician for help.

FCC Radiation Exposure Statement

This equipment complies with FCC radiation exposure limits set forth for an uncontrolled environment. This equipment should be installed and operated with minimum distance 20cm between the radiator & your body.

IC Statement

This device complies with Industry Canada licence-exempt RSS standard(s). Operation is subject to the following two conditions:

- this device may not cause interference, and
- this device must accept any interference, including interference that may cause undesired operation of the device.

Le présent appareil est conforme audio CNR d'Industrie Canada applicables audio appareils radio exempts de licence. L'exploitation est autorisée audio deux conditions suivantes :

- l'appareil ne doit pas produire de brouillage, et
- l'utilisateur de l'appareil doit accepter tout brouillage radioélectrique subi, même si le brouillage est susceptible d'en compromettre le fonctionnement.

The device meets the exemption from the routine evaluation limits in section 2.5 of RSS 102 and compliance with RSS-102 RF exposure, users can obtain Canadian information on RF exposure and compliance.

Le dispositif rencontre l'exemption des limites courantes d'évaluation dans la section 2.5 de RSS 102 et la conformité à l'exposition de RSS-102 rf, utilisateurs peut obtenir l'information canadienne sur l'exposition et la conformité de rf.

COFETEL La operación de este equipo está sujeta a las siguientes dos condiciones:

- es posible que este equipo o dispositivo no cause interferencia perjudicial y
- este equipo o dispositivo debe aceptar cualquier interferencia, incluyendo a la que pueda causar su operación no deseada.

Getting Started

- Remove the 4 screws on the top of the cover.
- Remove the top cover and set aside.
- Remove the battery from the packaging and install it with the plus (+) sign up as in figure 1.
- Replace the top cover and reinstall the 4 screws.
- Go to the appropriate app store and download the app. Download the app on all of the devices you plan to use with the LevelMatePro. The LevelMatePRO has a security feature that records the unique serial number to your smartphone or tablet so that when you are in close proximity to other vehicles with LevelMatePRO installed, your smartphone or tablet will only recognize your LevelMatePRO. So during this step you will need to start the app on each phone or tablet so that the serial number for your LevelMatePRO will be stored on your devices. Start the app on the first phone or tablet until the Orientation Select screen (figure 3) is displayed. Do NOT make an installation orientation selection at this point, but instead simply minimize the app by pressing the home button on your phone or tablet or delete the app from the task manager on your phone or tablet. Repeat this for each smartphone or tablet you want to set up with your LevelMatePRO.

6 Install the LevelMatePRO

The LevelMatePRO must be installed on a wall or vertical surface on the interior of your vehicle. The top cover of the product must face the side, front or rear of the vehicle when installed. The arrows on the product label should point up toward the ceiling of the vehicle. Attempt to install the product as straight as possible both horizontally and vertically. There is no need to install the product perfectly level or perpendicular as the product is designed to compensate for imperfect installation orientation. Using the 2 provided screws, mount the product on the wall or vertical surface as in figure 2.

7 Level the vehicle

Level the vehicle using your normal leveling method. Take time during this process to insure that the vehicle is perfectly level as your LevelMatePRO will use this position as a reference each time you level the vehicle.

8 Start the app on your smartphone or tablet.

9 Select the installation orientation

NOTE: If you have already setup another phone or tablet and selected the installation orientation, the Orientation selection screen will not be displayed and you will proceed directly to step 10.

The app will display the Orientation selection screen (figure 3). Tap on the selection that corresponds to the orientation of your installation.

10 Select units and measure your vehicle

The app should now be displaying the Settings screen (figure 4). First select the units of measure, inches or centimeters, by tapping on your selection at the bottom right of this screen. Next, measure the length and width of your vehicle as indicated by the front and side view vehicle illustrations on this screen. Enter the length and width measurements in the appropriate locations on this screen.

11 Set Level

After selecting the units of measure and entering the measured length and width of your vehicle, tap on the Set Level button at the bottom left of the Settings screen (figure 4). The Set Level button records the actual offsets of the LevelMatePRO device from true level and uses these offsets for all angle measurement calculations. This functionality allows for an imperfect installation of the LevelMatePRO and is the key to accuracy calculation. If you ever uninstall/reinstall your LevelMatePRO in another vehicle or in another location in the same vehicle, you will need to repeat this step after the unit has been installed.

12 Confirm setup is complete

After completing the Set Level task above, tap the Back button at the top left of the Settings screen to go to the Leveling screen (figure 5). Once at the Leveling screen check to insure that the level indicator dots are green there are no up or down arrows displayed and the height requirement dimensions are both displaying 0.00. This will be your indication that the LevelMatePRO has properly recorded the current level position. From this point on, each time you start the app to use the LevelMatePRO the Leveling screen will be displayed instead of the Orientation Select or Settings screen. Anytime you need to return to the Settings screen you can do so by tapping the gear icon at the top right of the Leveling screen.

figure 1

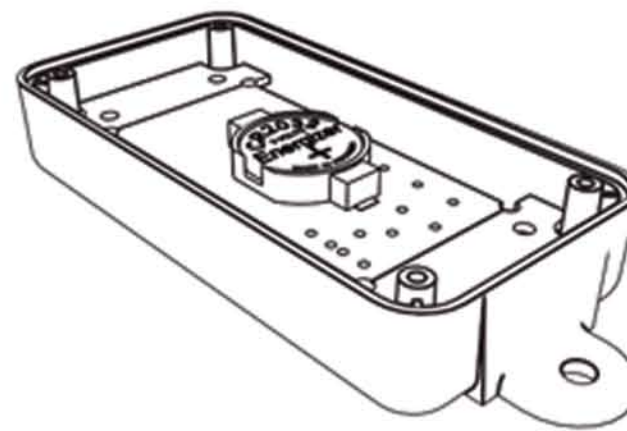


figure 2



figure 3

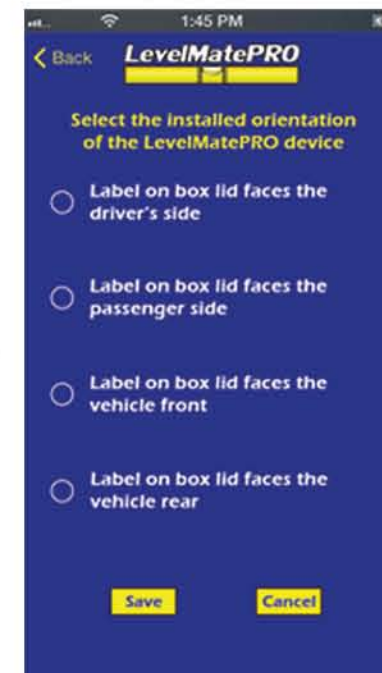


figure 4



figure 5

