

MicroSignage Players Field Installation Work Instructions

Document Number: WID01-00006

Document Version: 1.1

Author			
Function	Name	Signature	Date (yyyy-mm-dd)
Infrastructure Director	Kelsey Medeiros		

Approvals			
Function	Name	Signature	Date (yyyy-mm-dd)
VP-Finance	René-Pierre St-Laurent		

The information, technical data and designs disclosed herein are the exclusive property of MicroSigns Inc. or contain proprietary rights of others and are not to be used or disclosed to others without the written consent of MicroSigns Inc. The recipient of this document, by its retention and use, agrees to hold in confidence the technical data and designs contained herein. The foregoing shall not apply to persons having proprietary rights to such information, technical data or such designs to the extent that such rights exist.

Les renseignements, les données et les dessins techniques divulgués dans les présentes sont la propriété exclusive de MicroSigns Inc. ou comportent des droits de propriété appartenant à autrui et ne peuvent être divulgués à quiconque ni utilisés par qui que ce soit sans le consentement écrit de MicroSigns Inc. Le détenteur des présentes s'engage, dans toutes circonstances, à garder confidentielles les données et dessins techniques qu'elles contiennent. Ce qui précède ne s'applique pas aux personnes qui ont des droits de propriété sur ces renseignements, données techniques et dessins dans la mesure où ces droits existent.

TPL01-00001, v1.0

MicroSignage Players	Document Number: WID01-00006
Field Installation Work Instructions	Document Version: 1.1

Document Version History				
Date (yyyy-mm-dd)	Version	Control No.	Description	Author
2008-12-17	0.1		First draft	Kelsey Medeiros
2009-02-10	1.0	RN013	Release Version	Kelsey Medeiros
2009-02-12	1.1		Added warning section 2 regarding the FCC Certification	Kelsey Medeiros

MicroSignage Players	Document Number: WID01-00006
Field Installation Work Instructions	Document Version: 1.1

Table of Contents

1	Document Introduction	4
1.1	Purpose.....	4
1.2	Scope.....	4
1.3	Overview	4
1.4	References.....	4
1.5	Terms.....	4
2	Warning.....	5
3	Requirements	6
4	General Instructions	7
4.1	Installation Guidelines.....	7
5	Tools and material.....	8
6	Work Instructions.....	9
6.1	Site Controller	9
6.2	Gateway Pods.....	9
6.3	MicroSignage Players.....	10

List of Figures

Figure 1	Site Controller Back View.....	9
Figure 2	Gateway Pods	10
Figure 3	Rear of Fixture with MicroSignage Player	11
Figure 4	Power Installation	11
Figure 5	Typical MicroSignage Players installation.....	12

MicroSignage Players	Document Number: WID01-00006
Field Installation Work Instructions	Document Version: 1.1

1 Document Introduction

1.1 Purpose

The purpose of this document is to indicate the installation procedure for the MicroSigns MicroSignage Players. This document is intended for use by qualified MicroSigns Integration personnel with knowledge of network configuration, problems solving and hardware assembly. It is important to follow this work instruction to obtain the required results.

1.2 Scope

This document applies to the MK001 MicroSignage Display.

1.3 Overview

This document is organized into the following main sections:

- **General Instructions**
Provides the general guidelines that must be followed when performing this work instruction.
- **Tools and Materials**
Lists the tools and material required when performing this work instruction.
- **Work Instructions**
Describe the general work instructions that must be followed for the proper installation.

1.4 References

There is no references in this document.

1.5 Terms

The following terms are used in this document.

Term	Definition
DC	Direct Current
ESD	Electro Static Discharge
LAN	Local Area Network
LCD	Liquid Crystal Display

MicroSignage Players	Document Number: WID01-00006
Field Installation Work Instructions	Document Version: 1.1

2 Warning

IMPORTANT: *"This device complies with Part 15 of the FCC Rules. Operation is subject to the following two conditions: (1) this device may not cause harmful interference, and (2) this device must accept any interference received, including interference that may cause undesired operation."*

IMPORTANT: *NOTE: This equipment has been tested and found to comply with the limits for a Class A digital device, pursuant to Part 15 of the FCC Rules. These limits are designed to provide reasonable protection against harmful interference when the equipment is operated in a commercial environment. This equipment generates, uses, and can radiate radio frequency energy and, if not installed and used in accordance with the instruction manual, may cause harmful interference to radio communications. Operation of this equipment in a residential area is likely to cause harmful interference in which case the user will be required to correct the interference at his own expense.*

IMPORTANT: *"Changes or modifications not expressly approved by the party responsible for compliance could void the user's authority to operate the equipment."*

MicroSignage Players	Document Number: WID01-00006
Field Installation Work Instructions	Document Version: 1.1

3 Requirements

The requirements for this procedure are listed in the following table.

Part Number	Description
DP1305	MicroSignage Site Controller
DP1400	Wireless Interactive Color MicroSignage Players
DP1198	MicroSignage Gateway Pod
DP1199	RJ11 Coupler
DP1200	5 Unit RJ11 Splitter
DP1229	RJ11 Cable, 30 Inches / 76 cm
DP1288	12 Volts Switching Power Supply
DP1206	RJ45 Cable & Connectors

NOTE: Unless specified otherwise, the latest iteration of the MicroSigns part number is to be used.

MicroSignage Players	Document Number: WID01-00006
Field Installation Work Instructions	Document Version: 1.1

4 General Instructions

4.1 Installation Guidelines

This section describes the Guidelines that must be followed to obtain the required results

- Always power off the system when performing maintenance or assembly.
- Do not attempt to lift a heavy object without assistance from someone.
- Always use an ESD wrist strap when manipulating ESD-sensitive equipment.
- Limit your movement; movement can cause static electricity to build up around you.
- Perform a visual inspection of the components in order to detect damage prior to the installation.

MicroSignage Players	Document Number: WID01-00006
Field Installation Work Instructions	Document Version: 1.1

5 Tools and material

Listed below are the tools and materials that are required to perform the installation.

- Screwdriver Set
- Ladder
- Computer with Internet access
- Cutters
- Crimpers for RJ45 and RJ11 connectors
- Network cable tester
- Voltmeter
- Tie wraps and doubled sided foam tape
- ESD wrist strap
- Digital camera

6 Work Instructions

Before starting the equipments installation, make sure you have all the necessary components available and no apparent damage is shown on boxes, which may have occurred during shipping.

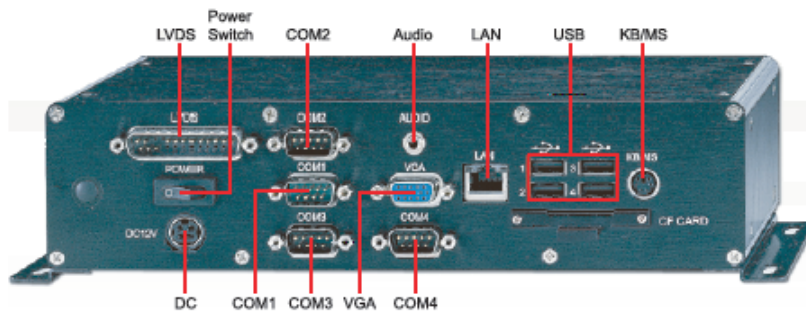
6.1 Site Controller

1. Remove Site controller from its box.
2. Locate the cabinet which will hold the site controller.

NOTE: Depending on customer configuration, the site controller can be wall-mounted into place.

3. Properly secure the Site controller to its destination place.
4. Connect the internet connection into the LAN connector behind the Site controller. (See Figure 1)

Figure 1 Site Controller Back View



5. Connect the Ethernet communication cables from the Gateway Pods into the Site Controller.
6. Connect the Power cable from wall receptacle into the DC connector.

IMPORTANT: Do not power on the Site Controller at this moment, this step will be required later on.

6.2 Gateway Pods

NOTE: Gateway pods are normally pre-configured, they only require a physical installation. Depending on the customers requirements, quantity may vary, repeat steps for multiple Gateway Pods.

1. Remove the Gateway Pods from their boxes.
2. Open the Gateway Pods casing by removing the screws. (See Figure 2)

MicroSignage Players	Document Number: WID01-00006
Field Installation Work Instructions	Document Version: 1.1

Figure 2 Gateway Pods



3. Locate the physical installation point for the gateway pods. The location must have been chosen prior to this step and meet the equipment requirements.
4. Using a ladder, affix the Gateway Pods to the ceiling.

NOTE: Depending on customer configuration, the Gateway Pods may be installed between suspended ceiling.

7. Connect the Ethernet cable into the USB Hub inside the Gateway Pod casing.
8. Close the casing with previously removed screws.

6.3 MicroSignage Players

IMPORTANT: Depending on the customer configuration, MicroSignage players may be installed in different display fixtures, the following steps describe the typical installation at customers sites.

1. Remove the MicroSignage players from the shipping boxes.
2. Rotating the locking flanges such as they point inside of the casing.
3. Mount the MicroSignage Player into the display fixture.

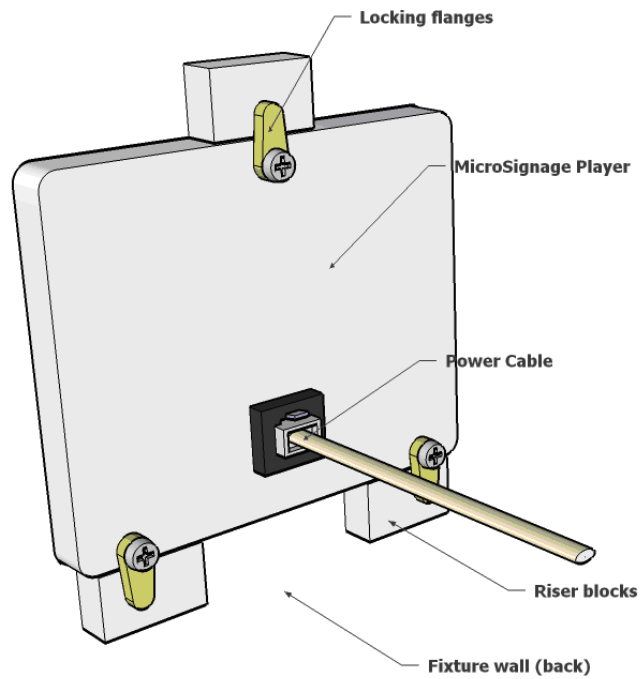
IMPORTANT: Do not force when assembling any components, neither push unit from the LCD. If resistance is felt please make sure the installation procedure is adequate and the display fixture meets the product requirements.

4. Reach into the locking Mechanism behind the MicroSignage and properly secure the device with locking flanges.
5. Remove the power cables from the boxes.
6. Connect the RJ11 Power cable into the MicroSignage Player. (See Figure 3)

IMPORTANT: Do not touch the buttons in front of MicroSignage Player, at startup the device will perform a manual calibration witch can be disturbed if activated.

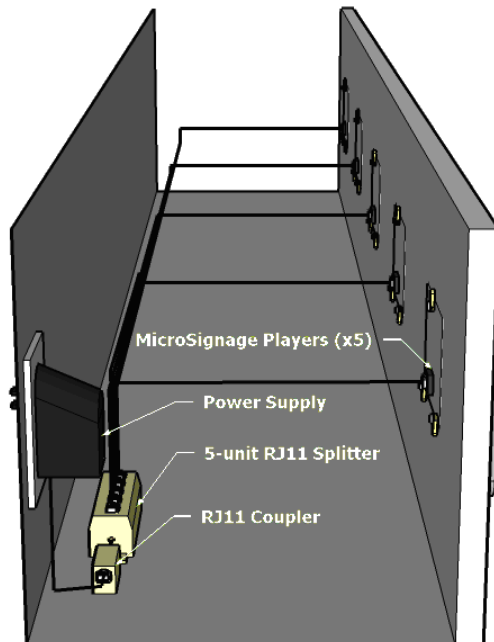
MicroSignage Players	Document Number: WID01-00006
Field Installation Work Instructions	Document Version: 1.1

Figure 3 Rear of Fixture with MicroSignage Player



7. Connect all Power cable into the 5 unit RJ11 Splitter. (See Figure 4)
8. Connect the RJ11 coupler into the 5 unit RJ11 splitter with an RJ11 cable.
9. Connect the 12 volts switching power supply into the RJ11 coupler.

Figure 4 Power Installation



MicroSignage Players	Document Number: WID01-00006
Field Installation Work Instructions	Document Version: 1.1

10. Make sure the MicroSignage Players are displaying content once powered. (See Figure 5) for a typical MicroSignage Players installation.

Figure 5 Typical MicroSignage Players installation

