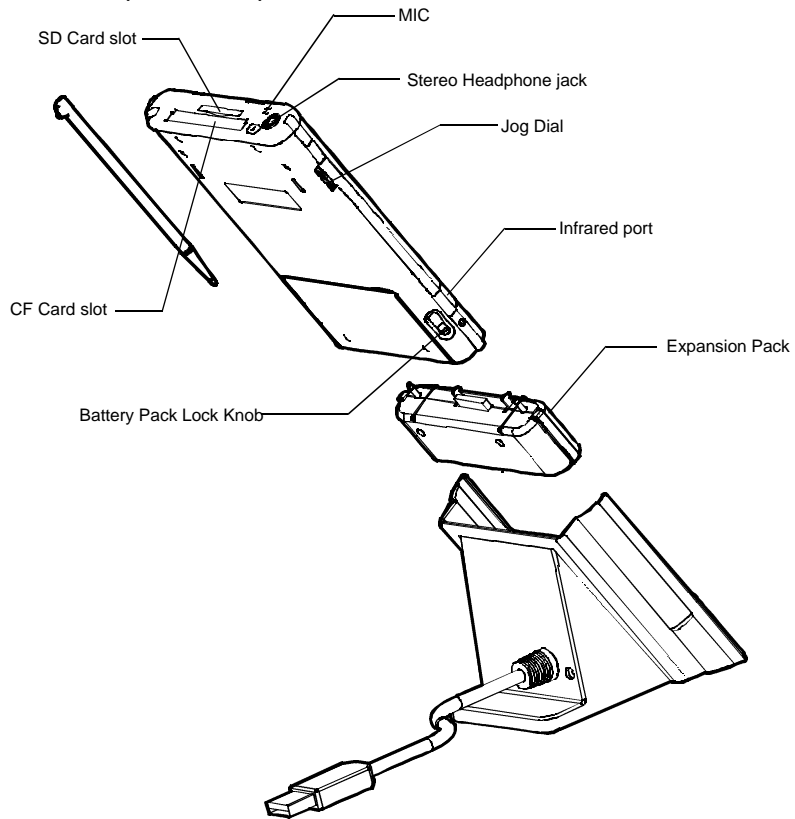


Power Button (back view)



The power button turns the unit and the front light on and off.

Power button	When the power is off	When the power is on
Press it for some time.	The power turns on.	The front light alternately turns on/off.
Press it quickly.	The power turns on.	The power turns off.

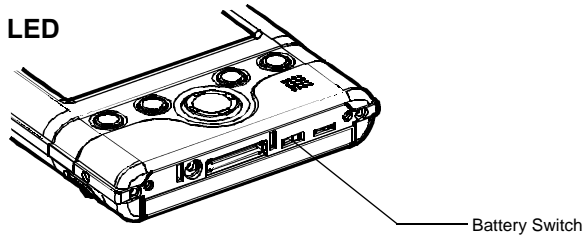
The battery switch supplies/cuts off the battery power to the Toshiba Pocket PC.

The setting of this switch at shipment is "stop". When using the Toshiba Pocket PC for the first time, slide this switch to the right (the "supply" side) with the stylus. This switch should be on the "supply" side.

The battery switch lock secures the battery switch to the "supply" side.

Set the battery switch from the "supply" side to the "stop" side while sliding the battery switch lock to the "release" side with the stylus.

Alarm Lamp LED



The alarm lamp indicates the machine condition.

How to Use the Stylus

Flashing orange	When the preset alarm time, which was set through Calendar or Tasks , goes off, the lamp starts flashing.
Steady orange	Indicates charging of the built-in battery.
Flashing yellow	The built-in battery charging process is stopped due to the ambient temperature being too high or low. Charge the built-in battery in an ambient temperature of approx. 41°F to 95°F.
Steady green	Indicates full charge of the built-in battery.

The stylus is used for menu selection or data input on the touch-screen of the Toshiba Pocket PC.

- **Tap:** Touch the screen once with the stylus to open items and select options.
- **Drag:** Hold the stylus on the screen and drag it across to select text and images. Drag in a list to select multiple items.
- **Tap and hold:** Tap and hold the stylus on an item to see a list of actions available for that item. On the pop-up menu that appears, tap the action you want to perform.

When you operate the touch screen of the Toshiba Pocket PC, use the supplied stylus.



If the tip of the stylus is damaged, do not use it. If you operate the touch screen with a damaged stylus or a ballpoint pen, the touch screen may be damaged.

When the stylus is damaged, please purchase a new one.

About the Cursor Button

You can move a cursor (selection display) on the screen by pressing the upper, lower, right or left part of the cursor button.

You can select a program to launch by pressing the center part of the cursor button.

The cursor movement is different depending on the screen. When the cursor is at the right or the left side of the screen, it may not move.

