

How to Prolong Battery Life

- Use the Toshiba Pocket PC with the AC adapter.

When you use the Toshiba Pocket PC under the following conditions, the power consumption will be large. Please use the AC adapter when:

- The Toshiba Pocket PC is operated while connected to your computer.
- The Toshiba Pocket PC is operated with storage card or with any other optional equipment.
- Select the short power-off time in the setting menu. This will shorten the time the unit will remain on if not used. For more information, see "Customize Your Toshiba Pocket PC" in Chapter 2.
- Turn off the front light.
- Set the screen brightness to power saving mode. Also shorten the light turn-off time. For more information, see "Customize Your Toshiba Pocket PC" in Chapter 2.
- Use the Toshiba Pocket PC with an ambient temperature between 59°F and 77°F. This temperature range is the most effective for the built-in battery.
- When you use the Toshiba Pocket PC in high or low temperature environments, the operable time is shortened due to the decrease of the built-in battery capacity.

Battery Life

The built-in battery has a limited life. Repeated charging/discharging of the built-in battery gradually decreases operable time. When the operable time has been extremely shortened, it is time to replace the built-in battery with a new one.

- Do not leave the Toshiba Pocket PC in a place of high or low temperature. It may shorten battery life.

Battery Charge Level and Stored Data Protection

If the battery charge level becomes extremely low, or is completely discharged, the memory data stored in the Toshiba Pocket PC will be deleted.

When the low battery status icon or the alarm message appears, immediately connect the AC adapter to the Toshiba Pocket PC and charge the built-in battery.

- The built-in battery gradually discharges even if the device is not being used. When the Toshiba Pocket PC is left for a long time, the built-in battery of the Toshiba Pocket PC may completely discharge.
- It is recommended to save the Toshiba Pocket PC's memory data to your computer or to a storage card.
- The manufacturer is not responsible for data change or clearance due to battery discharge. Please acknowledge that.

Initial Setup

When using the Toshiba Pocket PC for the first time, carry out initial setup according to the procedures below after a built-in battery has been charged.

1. Press the power button to turn the power on. The Welcome screen appears. Tap the screen to start the following setup.

2. Execute touch screen correction.

When the align screen appears, tap the center of the cross target with the stylus. The next target position changes upon tapping the target. Five taps completes the positioning correction. The screen then changes to the Stylus screen.

- If a finger or any other object touches the screen during correction, the correction will be cancelled. Repeat the correction procedure.

3. Read how to use the stylus.

- Read and understand the stylus operation, and then tap **NEXT**.

For more information on stylus operation, see "How to Use the Stylus" in Chapter 2.

4. Learn the pop-up menu operation.

- Read the on-screen explanation and then follow the instructions. Display the pop-up menu, and cut and paste the data according to the screen instructions.

- After you finish the paste operation, this stage is completed. Tap **NEXT**.

5. Set the ZONE.

- When tapping the right ▼ mark, the city and the time zone lists appear. Tap the desired city and time zone.

- When the setup is completed, tap **NEXT**.

6. To complete the initial setup.

- When the Complete screen appears, the initial setup is completed.

- After tapping the screen, you can use the Toshiba Pocket PC.

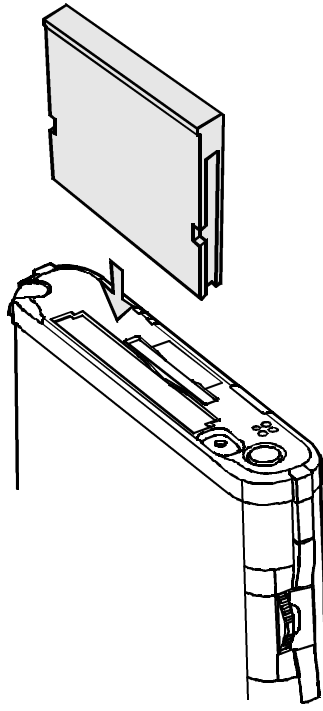
When you tap the Complete screen, the Today screen appears. For more information on the Today screen, see "Today screen" in Chapter 2.

Setup Method of Options

Method of Setting Card into CF Card Slot

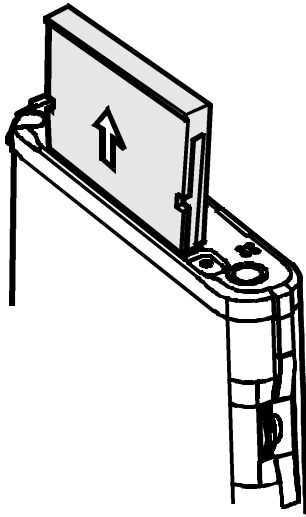
To insert a card:

1. Turn off the power.
2. Open the card cover.
3. Insert the card with its contact surface (metal contact surface) facing the back of the Toshiba Pocket PC.



To remove a card:

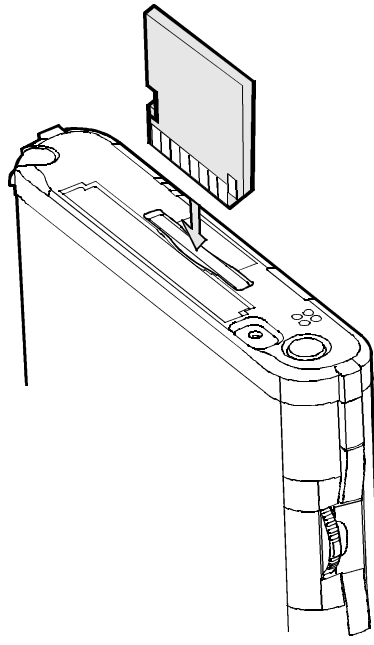
1. Turn off the power.
2. Open the card cover.
3. Lightly press down the card until a clicking sound is heard. The card will pop out slightly from the slot.
4. Pull the card straight up to remove.



Method of Setting Card into SD Card Slot

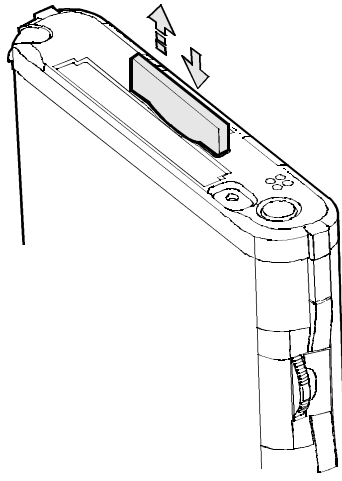
To insert a card:


1. Turn off the power.
2. Open the card cover.
3. Insert the card with its contact surface (metal contact surface) facing the back of the Toshiba Pocket PC.



To remove a card:

1. Turn off the power.
2. Open the card cover.
3. Lightly press down the card until a clicking sound is heard. The card will pop out slightly from the slot.
4. Pull the card straight up to remove.



 When storage cards are inserted in both the CF and SD card slots, one of them may only be accessible depending on the application or the Settings operation (typically, the first storage card inserted is accessed).

Typical examples:

- Notes of Pocket Outlook.
- Saving the destination selection of the Options item of the Tools menu of Pocket Word.