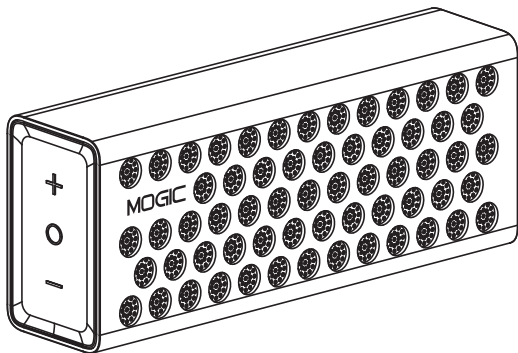


MOGIC



BLUETOOTH SPEAKER  
PS2003BT  
Quick Start Guide

Thanks for choosing Mogenic Bluetooth Wireless Speaker **PS2003BT**.

### Introduction

PS2003BT is a Stereo Bluetooth Wireless Speaker. Mogenic is always using the best material and ensure a best quality. It's with cool appearance and impressing acoustic performance. Enjoy it!

### Specifications

Bluetooth Version: Bluetooth 4.1

Bluetooth Range: 33ft (10m)

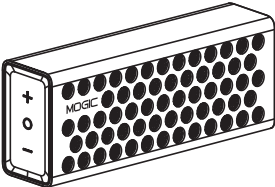


Bluetooth Profiles: A2DP, HFP,AVRCP profile supported

Total RMS power: 9W (4.5W x 2) @10% THD

Power Bank: Built-in rechargeable battery 4400mAh

Driver: 1.5" full-range neodymium drivers, 2pcs  
Passive radiators for deep bass response, 1pcs

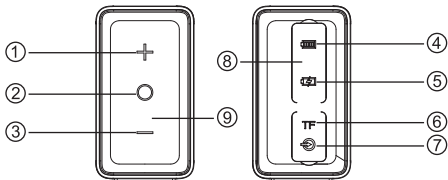
Dimension: 190 mm \* 40.2mm \* 71.5 mm (W x D x H)

Part		Qty
Stereo Bluetooth Speaker		1
USB charging cable		1
AUX signal cable		1

## Caution

1. Please read and follow all instructions before operating this product.
2. Heed all warnings on the product and in the operation instructions.
3. Do not open the product. Repair has to be performed by a qualified technician.
4. The product has a wireless transmission distance up to 33ft, but wireless performance may be affected in different operating environment.
5. Do not use accessories that are not recommended by the product manufacturer.
6. Do not place the device on an unstable cart, stand tripod, bracket, or table.
7. Keep the product out of extreme heat and humidity. Do not install it near heaters, stoves or any other source of heat.
8. Do not allow young children to use your Speaker unsupervised.

## Structure of Speaker



Component	Description
1 Volume up	Short press to increase system volume. Long press to go to next track.
2 Multifunction	1. When powered off, long press for about 3~4s to power on and enter into Bluetooth mode if no AUX cable plugged in or TF card inserted. It will try to connect last paired device. If not found, it will enter into pairing mode with voice prompt.

		<p>2. When powered on and TF card inserted or AUX plugged in, double click to change modes among Bluetooth, AUX and TF card with voice prompt. With AUX cable plugged in or TF card inserted, it will automatically switch to AUX mode or TF card mode.</p> <p>3. Under Bluetooth mode, short press to play/pause. With Bluetooth connected, long press for about 2 seconds to enter into pairing mode with voice prompt.</p> <p>4. With coming call, short press to receive or end call. Long press to reject call.</p> <p>5. To turn off, long press for about 4~5s.</p>
3	Volume down	Short press to decrease system volume. Long press to go to last track.
4	USB jack	Charge your mobile phones through this jack. The rated output current is 1A.
5	Micro USB jack	Plug the small end of the charging cable into this jack to charge the speaker.
6	TF card jack	To insert TF card for music listening. (TF card not included)
7	AUX jack	Plug the connector from an external sound source, such as an MP3 player, into this jack.
8	Battery volume RED LED indicator	<p>Battery volume indicator. When batter full, four red LED on; with battery very low or empty, four red LED off. During charging, one red LED will flash indicating it's under charging status and when fully charged, all four red LED on and no flash any more. When the USB charging cable removed, the four red LED will go off after half a minute.</p> <p>When speaker just power on or press any button when turned on, the LED will be lit up and went out after about half a minute.</p>
9	White LED indicator	<p>Bluetooth reconnecting or pairing mode: white LED flash.</p> <p>Successful Bluetooth connection: Solid white LED.</p> <p>During a call: Solid white LED.</p> <p>AUX mode or TF card mode: Solid white LED.</p> <p>Speaker turned off: LED off.</p>

## Setup Instructions

### Charging the speaker

1. Plug small end of the USB charging cable into micro USB jack at right side of the speaker.
2. Plug the other end of the USB charging cable into an available USB port on your computer or an USB power adaptor on wall.
3. 4pcs Red LED at right side of the speaker indicate the battery volume. When fully charged, 4pcs Red LED are all on. With very low battery or empty battery, 4pcs Red LED are all off.

## Setup Instructions

### Play music under Bluetooth mode

1. Long press multifunction button for about 3~4s to power on and enter into Bluetooth mode. The speaker will try to connect last paired device. If not found, it will enter into pairing mode with voice prompt.
2. Navigate to your device's Bluetooth settings, turn on Bluetooth, and then search for available devices.
3. Select Paring Name from a list of available devices on your Bluetooth device. The White LED turns solid when your device is connected.
4. Choose the music on your device to play through the speaker.
5. Adjust speaker volume by short pressing the and the buttons at left side of the speaker. Long press to choose next track or last track.
6. Short press multifunction button to play or pause the music.
7. To disconnect from the paired Bluetooth device, turn off Bluetooth on your device or long press the multifunction button for about 2s until a voice prompt of "Disconnected".
8. To power off, long press multifunction button for about 4~5s.

### Note:

- 1) The maximum Bluetooth range is 33 feet.
- 2) Make sure the volume level on your Bluetooth device is at least 50%.
- 3) When speaker is turned on, it will try to connect the last paired Bluetooth device automatically. If the last paired Bluetooth device is out of range, it will automatically search for another device for pairing.

## Setup Instructions

Play music under AUX mode

1. With the speaker turned on, plug one end of a 3.5mm stereo cable into the AUX jack on right side of the speaker. The speaker will automatically switch to AUX mode with voice prompt.
2. Plug the other end of the stereo cable into your music player such as MP3, PC, CD player, mobile phones etc.
3. Adjust speaker volume by short pressing the **▲** and the **▶** buttons at left side of the speaker.

## Setup Instructions

Play music under TF card mode

1. With the speaker turned on, plug one TF card (not included) into the TF card jack. Make sure there are songs inside your TF card.
2. Adjust speaker volume by short pressing the **▲** and the **▶** buttons at left side of the speaker. Long press to choose next track or last track.
3. Short press multifunction button to play or pause the music.

## Setup Instructions

Charge to other devices

1. Plug USB A plug into the USB A jack at right side of the speaker.
2. Plug the other end of the USB charging cable into your phone or other devices. (Only charging cable with micro USB jack is provided along with the speaker. If your phone or device doesn't support micro USB charging plug, please use the charging cable along with your phone or device).

4pcs Red LED at right side of the speaker indicate the battery volume. When fully charged, 4pcs Red LED are all on. With very low battery or empty battery, 4pcs Red LED are all off.

## TROUBLESHOOTING

See below for solutions to common problems. If you have more questions to your speaker, you may contact with local distributor for assistance.

<b>Symptom</b>	<b>Solution</b>
White LED not on	Please make sure your speaker has been powered on.
	If all four red LEDs are off, please try to charge your speaker.
Speaker does not produce sound	Please make sure your speaker has been powered on and charged.
	Make sure the volume is turned up to audible listening level for both speaker and your Bluetooth device (smart phone, pad etc).
	For Bluetooth mode, please make sure the Bluetooth is successfully connected. For TF card mode, please make sure there are songs inside. Make sure the speaker is in the right mode as desired.
Bluetooth cannot be connected	Confirm your phone/music player is Bluetooth compatible and then make sure the Bluetooth is open on your Bluetooth device.
	Make sure correct Bluetooth pairing password has been entered if required.
	During Bluetooth pairing, please do not open too many Bluetooth devices to avoid interference to Bluetooth connection.
	If failed at pairing, long press multifunction button for about 2s to enter into pairing again. Or you can try to pair with another Bluetooth device.
	Clearing the pairing list on your Bluetooth device and try again.

<p>Bluetooth connection intermittent</p>	<p>Make sure the distance between the speaker and your mobile phone or other Bluetooth device is within 33 feet</p>
<p>When charge to the speaker and play music at loud volume continually, the speaker battery will be used up finally.</p>	<p>As this speaker is wrapped in aluminum alloy shell, the Bluetooth antenna is at side of the speaker. Do not place obstacle at two sides of the speaker. This will interference the Bluetooth range performance.</p>
<p>Music in TF card can't be played</p>	<p>Charging power to the speaker is 5W while speaker rated power is 9W. Suggest not to play music while charging to the speaker.</p>
<p>Music in TF card can't be played</p>	<p>Only MP3 and WAV format of music is supported for TF card mode.</p>
<p>It fails to charge to my mobile phone while charging to the speaker at the same time.</p>	<p>When charging to the speaker and your mobile phone at the same time, if found no battery volume increasing to your mobile phone, unplug and then plug the mobile phone charging cable for refreshing.</p>
<p>Sound distortion</p>	<p>When charging to the speaker, the charging current to the mobile phone will be decreased.</p>
<p>Sound distortion</p>	<p>WAV and MID files are often poor quality. Therefore distortion and noise are easily noticed with powered speakers.</p>
<p>Sound distortion</p>	<p>Check the volume level and decrease if necessary.</p>



## FCC Statement

Changes or modifications not expressly approved by the party responsible for compliance could void the user's authority to operate the equipment.

This equipment has been tested and found to comply with the limits for a Class B digital device, pursuant to Part 15 of the FCC Rules. These limits are designed to provide reasonable protection against harmful interference in a residential installation. This equipment generates uses and can radiate radio frequency energy and, if not installed and used in accordance with the

instructions, may cause harmful interference to radio communications. However, there is no guarantee that interference will not occur in a particular installation. If this equipment does cause harmful interference to radio or television reception, which can be determined by turning the equipment off and on, the user is encouraged to try to correct the interference by one or more of the following measures:

- Reorient or relocate the receiving antenna.
- Increase the separation between the equipment and receiver.
- Connect the equipment into an outlet on a circuit different from that to which the receiver is connected.
- Consult the dealer or an experienced radio/TV technician for help

This device complies with part 15 of the FCC rules. Operation is subject to the following two conditions (1) this device may not cause harmful interference, and (2) this device must accept any interference received, including interference that may cause undesired operation.