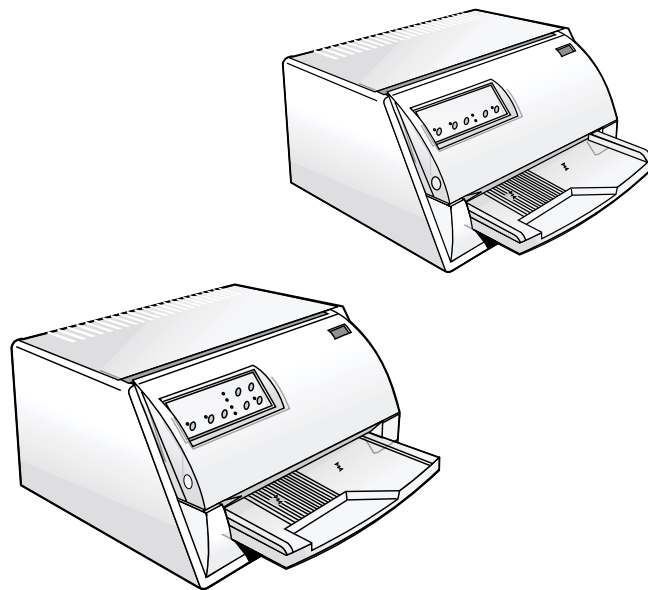


**MDP40B  
MDP40C  
MDP40T**

# User Manual



**Compuprint** 

## Compuprint Information

**Thanks** for choosing this printer.

*Your printer is a reliable working equipment that will be very useful in your daily job.*

*Our printers have been designed to be compact and respectful of the work environment. They offer a wide range of features and multiple functions that confirm the high technological level reached by the Compuprint S.p.A .*

*To maintain these printing performances unchanged in the long run, Compuprint has developed specific consumable accessories for each printer type (for example: ribbon cartridges for dot matrix printers, toner and OPC cartridges for laser printers, bubble ink jet cartridges for inkjet printers) that assure an excellent operation with high printing quality level reliability.*

*Compuprint recommends to use only its **original consumables with original packaging (identified by its holographic label)**. In this way, a proper use of the printer at quality level stated in the product characteristics can be assured. All typical usage problems related to not certified consumables may be avoided, such as an overall quality print level degradation and, often, the reduction of the product life due to the fact that the proper working conditions for the print heads, OPC cartridge and other printer parts are not assured.*

*Moreover, Compuprint does not only certify its consumables in terms of working conditions but also carefully controls their compliance with the international standard rules concerning:*

- *no cancerous materials;*
- *no inflammability of the plastic materials;*
- *other standards*

*Compuprint advices the customers not to use products for which the compliance to this safety rules are not warranted.*

*Finally seek your dealer or contact a Compuprint office and be sure that are provided you the original Compuprint consumables.*

## FCC Notes

This equipment has been tested and found to comply with the limits for a Class B digital device, pursuant to Part 15 of the FCC Rules. These limits are designed to provide reasonable protection against harmful interference when the equipment is operated in a commercial environment. This equipment generates, uses and can radiate radio frequency energy and, if not installed and used in accordance with the instruction manual, may cause harmful interference to radio communications. However, there is no guarantee that interference will not occur in a particular installation. If this equipment does cause harmful interference to radio or television reception, which can be determined by turning the equipment off and on, the user is encouraged to try to correct the interference by one or more of the following measures:

- Reorient or relocate the receiving antenna.
- Increase the separation between the equipment and the receiver.
- Connect the equipment into an outlet on a circuit different from that to which the receiver is connected
- Consult the dealer or an experienced radio/TV technician for help.

A shielded Centronics IEEE1284 compliant bi-directional parallel cable, maximum length 3 meters (10 feet), and a shielded RS-232 serial cable, maximum length 15 meters (50 feet), are necessary for this device to meet the requirements of a Class B digital device pursuant to part 15 of the FCC rules.

The above specified cables are readily available as Personal Computer or Peripheral accessories from multiple retail outlets. Please consult your dealer for details concerning such cables and also for information about FCC rules for digital devices.

Changes or modifications to the device covered by this manual, which are not expressly approved by the party responsible for compliance, could void the user's authority under the FCC rules to operate the equipment.

## Canadian D.O.C. Radio Interference Regulation

This digital apparatus complies with the Canadian ICES-003 Class B limits for radio frequency emissions.

Cet appareil numérique est conforme aux limites de Class B de la norme NMB-003 du Canada.

## EEC Regulations

This equipment conforms to the EEC Directive 89/392 (the sound pressure, measured according to ISO 7779, does not exceed 70 dBA).

## Table of Contents

<b>Compuprint Information</b> .....	<b>i</b>
<b>FCC Notes</b> .....	<b>ii</b>
Canadian D.O.C. Radio Interference Regulation .....	ii
EEC Regulations.....	ii
<b>Table of Contents</b> .....	<b>iii</b>
<b>Printers Presentation</b> .....	<b>1</b>
<b>Unpacking the Printer</b> .....	<b>3</b>
<b>Printer Parts</b> .....	<b>5</b>
Front view .....	5
Rear View .....	6
<b>Printer Installation</b> .....	<b>7</b>
Choosing a Suitable Location.....	7
Installing the Paper Stand.....	8
Installing the Power Cable.....	10
Installing the Ribbon Cartridge.....	11
<b>Paper Handling</b> .....	<b>13</b>
Loading Paper .....	13
Loading Cut sheet and Multiparts.....	13
Loading Passbooks (MDP40B and MDP40C models) .....	16
Loading fanfold paper (MDP40C and MDP40T models) .....	18
<b>The Operator Panel</b> .....	<b>22</b>
Function keys.....	22
Leds.....	24
<b>Software Driver Selection</b> .....	<b>26</b>
<b>Connection to the Host</b> .....	<b>27</b>
Setting the Interface Parameters .....	28
Parallel Interface.....	28
Serial Interface.....	28

<b>Printing a Test Page .....</b>	<b>30</b>
<b>Printer Setup.....</b>	<b>35</b>
Printing the Printer Setup Forms .....	35
Filling in the Printer Setup Forms .....	38
Reading the Preprinted Forms .....	38
Printer Setup Flow Chart.....	39
MDP40 B Model .....	39
MDP40 T and MDP40 C Model .....	40
Setup Parameters .....	41
Offset Adjustments .....	48
<b>Troubleshooting.....</b>	<b>52</b>
Clearing Paper Jams .....	52
Print Quality Problems.....	54
Hexadecimal Dump .....	54
<b>Paper Specifications.....</b>	<b>55</b>
Cut Sheets .....	56
Fanfold.....	57
Passbooks .....	58
Passbooks with Horizontal Fold.....	59
Passbook with Vertical Fold.....	61