

Paper Handling

Paper Specifications

It is important to use the correct paper for obtaining the best performance. See the information table below:

Fanfold Paper

Loading Mode	Front1 Tractor	Front2 Tractor
Width	76 to 432 mm 3 to 17 inches	76 to 432 mm 3 to 17 inches
Length	76 to 609 mm 3 to 24 inches	76 to 609 mm 3 to 24 inches
Thickness	max. 0.635 mm 0.025 inches	max. 0.635 mm 0.025 inches
Copies	1 + 7	1 + 7
Weight (g/m ²):		
- Original	55 to 150	55 to 150
- Other sheets	45 to 75	45 to 75
- Carbon Paper	35	35

Fanfold Paper Loading

Loading Paper Using the Front1 Tractor

1. To select the Front1 tractor paper path, press the PATH key. The display shows:

LOAD FRONT1

- If you have been using a different path, the display shows:

PATH CHANGING

- If you have been using fanfold paper in the Front2 tractor paper path, the printer automatically starts the parking procedure. The display shows alternately:

TEAR IF NECESS.

and

PARK PAPER

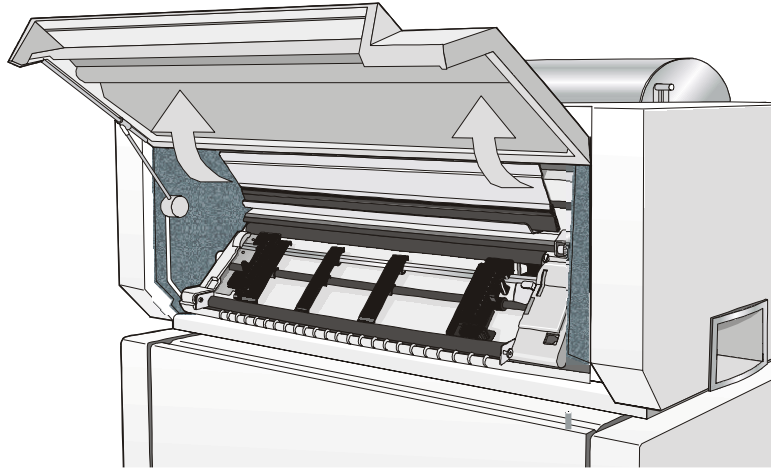
- Tear off the fanfold loaded with the Front2 tractor (if it is longer than 18 inches) and press the PARK key. The display shows:

PARKING

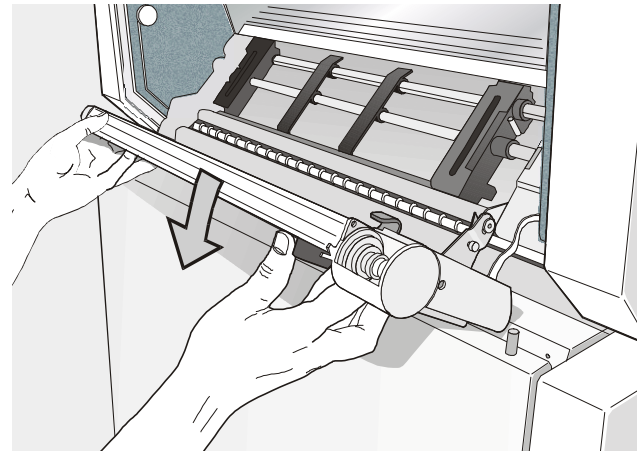
followed by

LOAD FRONT1

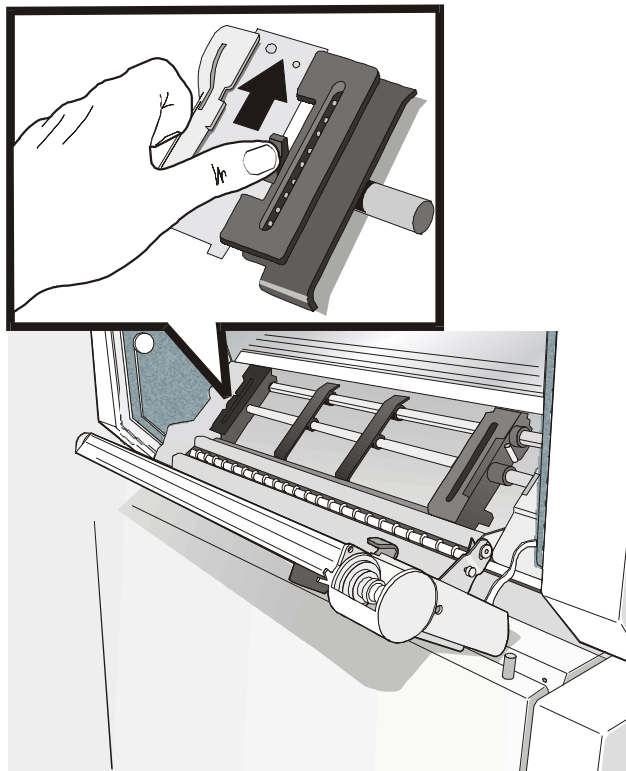
2. Open the tractor area cover turning is upwards until it stops.



3. Rotate the Front 2 tractor outside of the printer.

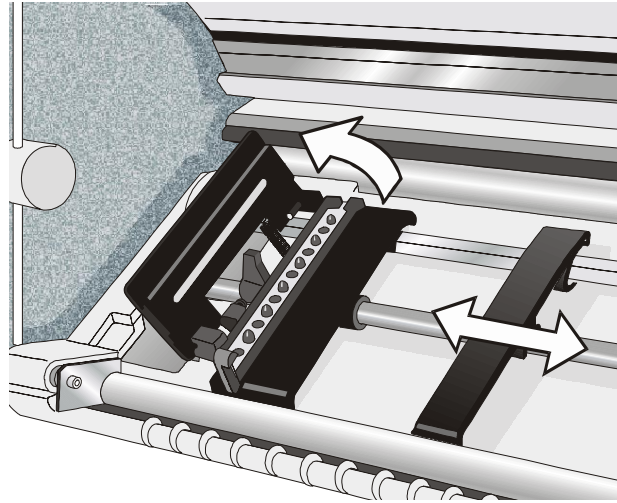


4. Unlock the sprockets of the Front1 tractor moving the sprocket levers up. Slide the left sprocket to the first printing column.

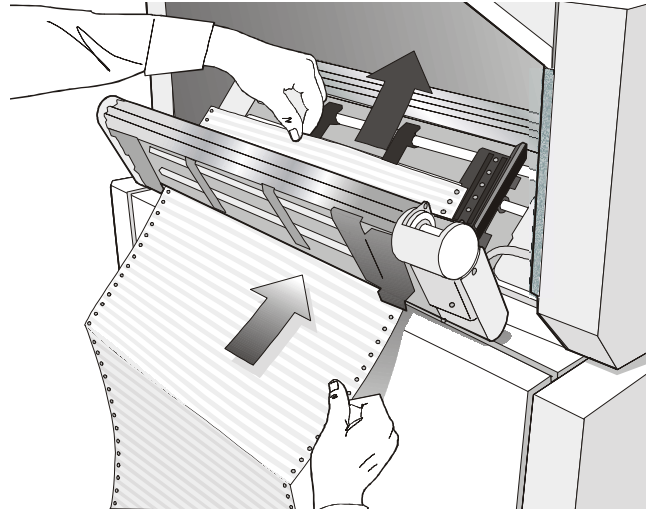


For easier understanding some of the following pictures show the printer without the Front 2 tractor installed.

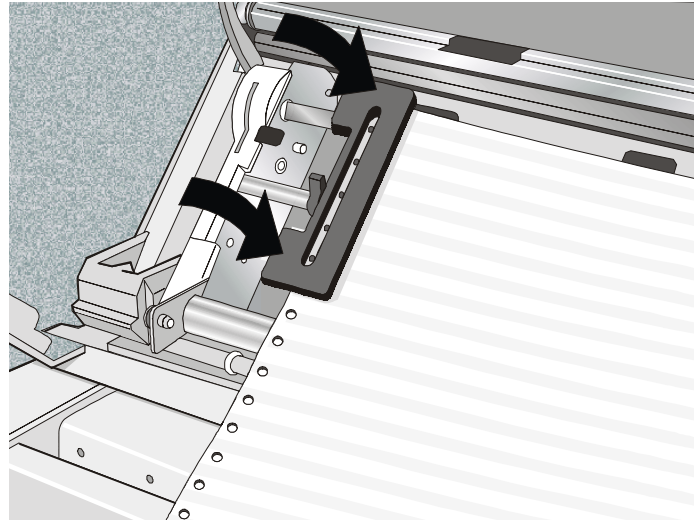
5. Space the paper guides along the tractor bar. Open the sprocket covers of the left and right sprocket.



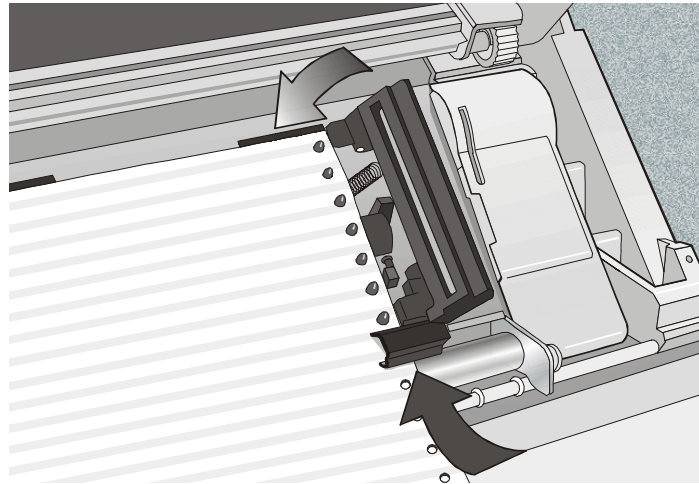
6. Insert the fanfold paper between the lower and the upper tractor.



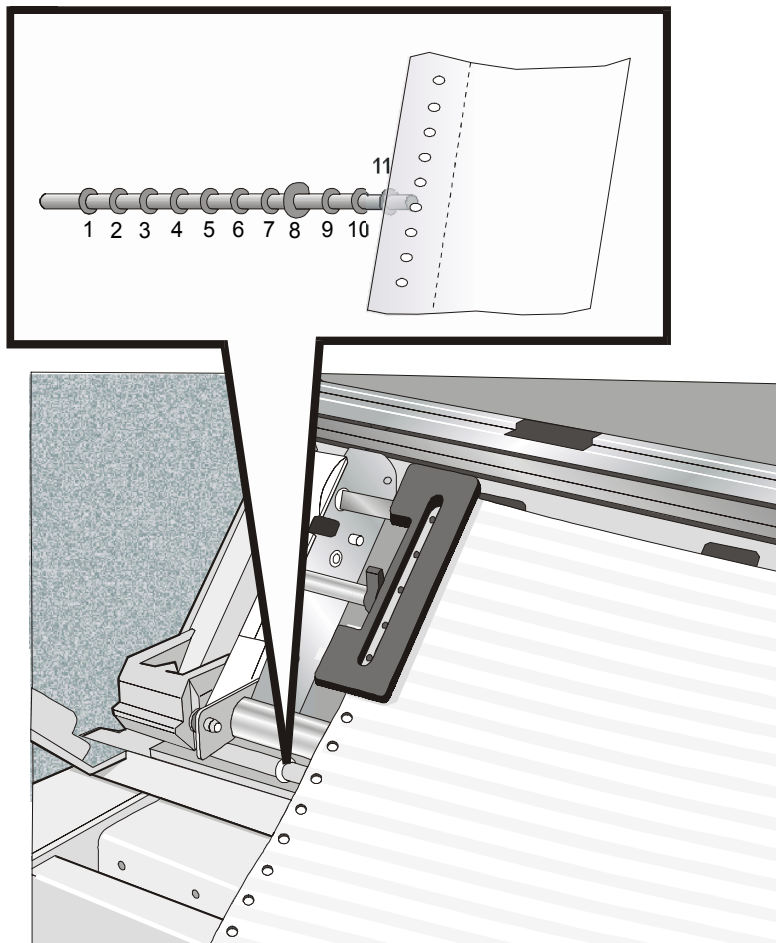
7. Hold the fanfold paper in front of the sprockets and insert the paper perforation on the left sprocket pins and close the sprocket cover.



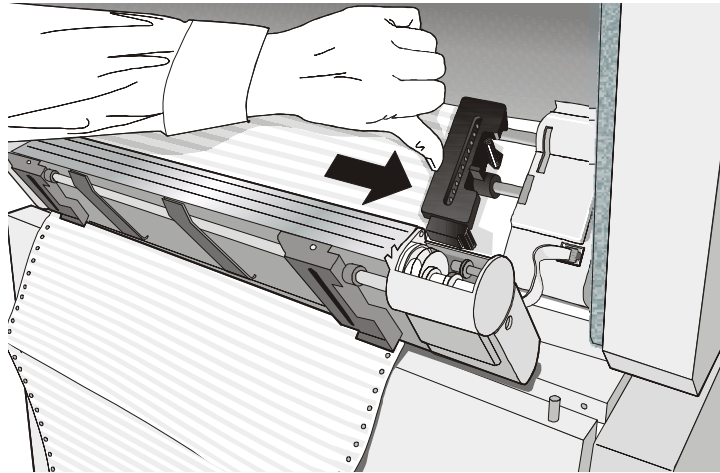
8. Insert the paper on the right sprocket pins, make sure the paper goes under the paper sensor and close the sprocket cover.



9. Match the left sprocket for the first printing position, i.e. the left paper margin must match the eleventh notch on the printer cabinet.

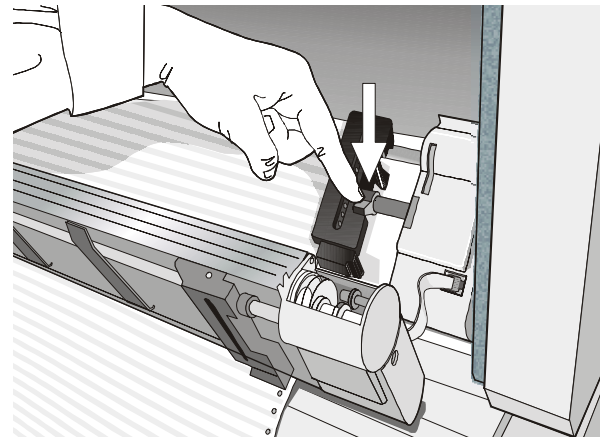


10. Adjust the right sprocket gently to remove slack from the paper.

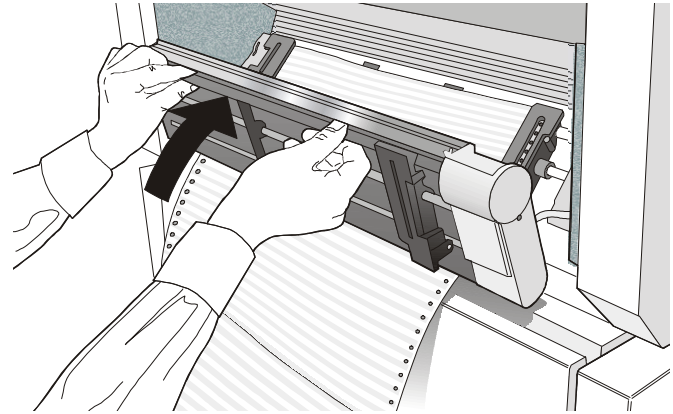


Make sure the paper is not taut.

11. Lock the left and right sprockets moving the sprocket levers down.



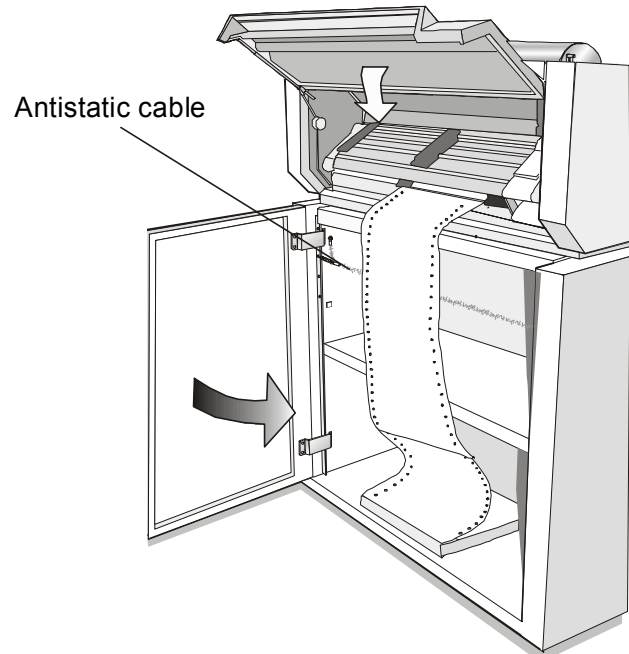
12. Reposition the Front2 tractor in its initial position.



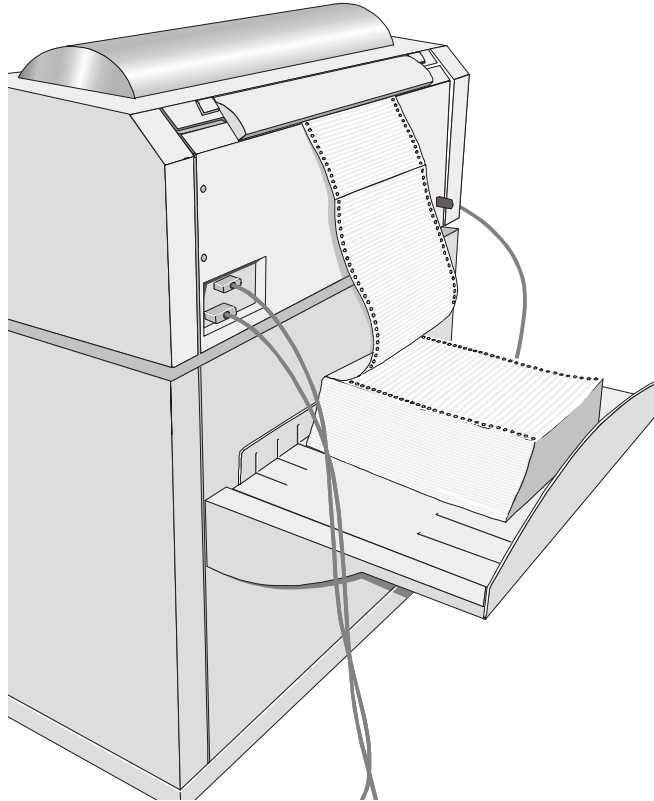
13. Open the printer cabinet door and lay the paper staple onto the shelf inside the printer cabinet:

- Onto the lower shelf if you are using only one paper staple. The paper must be fed in front of the antistatic cable;
- Onto the upper shelf if you are going to install a second paper staple. The paper must be fed behind the antistatic cable.

14. Close the printer cabinet door and the tractor area cover. Press the LOAD/FF key to load the paper into the printer.



15. Press the ON LINE key, the LOAD FRONT1 message is displayed.
 16. Press the LOAD/FF key to load the paper into the printer.
 17. Press the ON LINE key again, the printer now is ready to print.
- The printed paper is output on the rear side of the printer.



Loading Paper Using the Front2 Tractor

To load paper in this way, it is necessary to install the upper tractor. See before "Front2 Tractor Installation" section.

1. To select the Front2 tractor paper path press the PATH key until the display shows:

LOAD FRONT2

- If you have been using a different path, the display shows:

PATH CHANGING

- If you have been using fanfold paper in the Front 1 tractor paper path, the printer automatically starts the parking procedure. The display shows alternately.

TEAR IF NECESS.

and

PARK PAPER

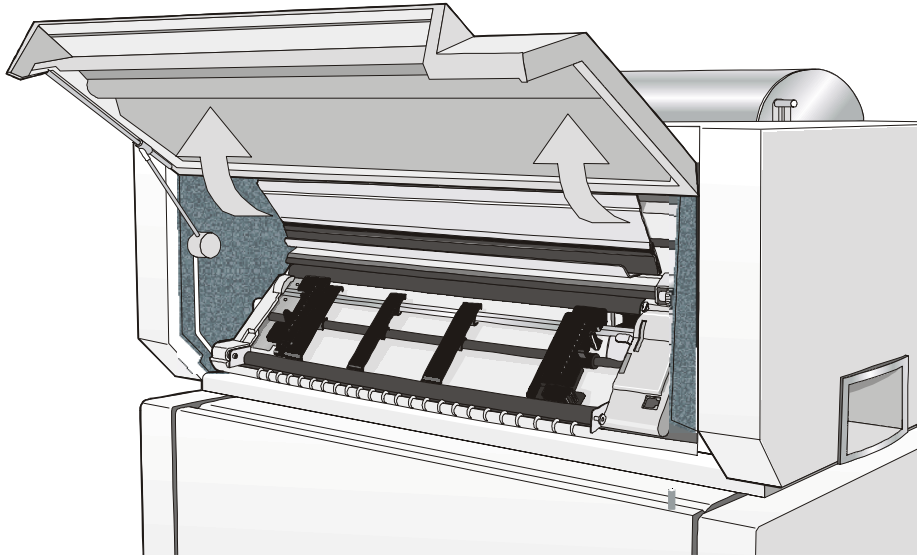
- Tear off the fanfold loaded with the Front 1 tractor (if it is longer than 18 inches) and press the PARK key. The display shows:

PARKING

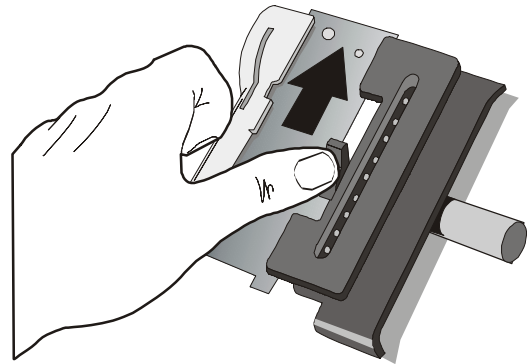
followed by

LOAD FRONT2

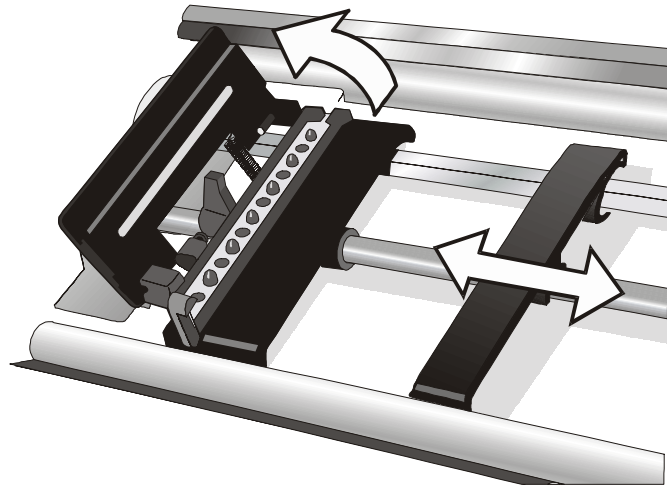
2. Open the tractor area cover turning it upwards until it stops.



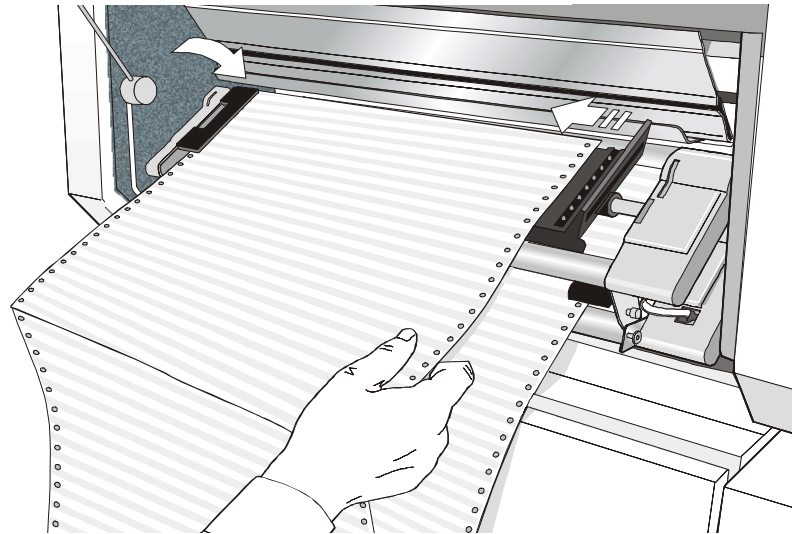
3. Unlock the Front2 tractor sprockets moving the sprocket levers up.



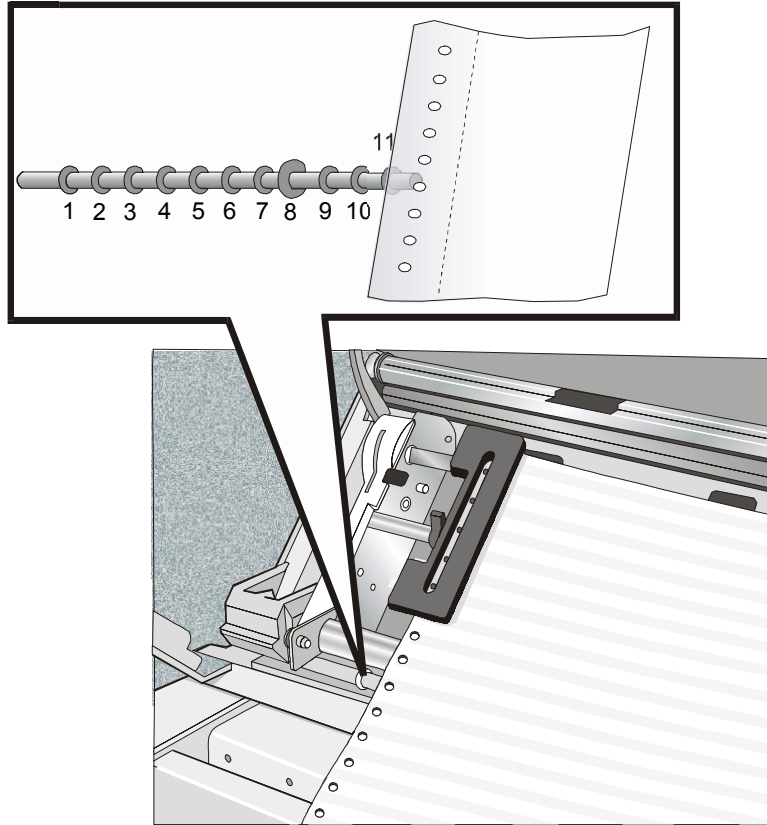
4. Space the paper guides along the tractor bar. Open the sprocket covers of the left and right sprocket.



5. Hold the fanfold paper in front of the sprockets and insert the paper perforation on the left sprocket pins and close the sprocket cover.
6. Insert the paper on the right sprocket pins, make sure the paper goes under the paper sensor and close the sprocket cover.



7. Position the left sprocket for printing, matching the left paper margin with the eleventh notch on the printer cabinet and lock it in place.



8. Adjust gently the right sprocket to remove slack from the paper.

9. Open the printer cabinet door and lay the paper onto the lower shelf inside the printer cabinet.
 10. Close the printer cabinet door and the tractor area cover.
 11. Press the ON LINE key the following message is displayed: LOAD FRONT2 .
 12. Press the LOAD/FF key to load the paper into the printer.
 13. Press the ON LINE key, now the printer is ready to print.
- The paper is ejected from the rear of the printer.

