

## LIST OF AVAILABLE MODELS AND COMPONENTS

Model	Description	Specifications
RC713L	Single Channel Receiver 3-way switching module with 36 in. Lead	15 Amp Resistive, 10 Amp (1200 Watt) Tungsten, 1 HP - 120 Volt, Single Pole Single Throw Contacts.
RC713R	Heavy-Duty Receiver and Relay Assembly	30 Amp Resistive - 120/240 Volt, 12.5 Amp (1500 Watt) Tungsten - 120 Volt, 1.5 HP - 120 Volt, 3 HP - 240 Volt Double Pole Single Throw Contacts.
RC715L	Single Channel Receiver Timer Override Module with 36 in. Leads	15 Amp Resistive, 10 Amp (1200 Watt) Tungsten 1 HP Motor Load - 120 Volt, Single Pole, Single Throw contacts.
RC949	4 Channel Transmitter	Operates on 9 Volt Battery
P1103ME	24 hr. Timer Mechanism Only	Electronic Timer Mechanism - replaces Intermatic T100 Series timers and compatible with RC715L Receiver. Same rating as RC713R.
P1101R7	Portable Outdoor Timer with Radio Override	15 Amp Resistive, 10 Amp (1200 Watt) Tungsten 1 HP Motor Load - 120 Volt.

## TROUBLESHOOTING

Symptom	Possible Cause(s)	Corrective Action
No response to transmitter signal at anytime	No power	Turn ON power at main panel
	Loose connection(s) at receiver and/or load	Check connections
	Transmitter battery dead	Replace battery
	Receiver and transmitter are on two different codes	Change code settings (see page 3)
	Faulty transmitter	Check battery connections, replace transmitter
No response to transmitter signal some of the time	Faulty receiver	Replace Receiver Module
	Weak Battery	Replace battery
	Appliance with brush type motor is in use	Relocate appliance and/or connect to another circuit
Insufficient Range	Receiver is at edge of range	Mount Receiver closer or higher
	Weak battery	Replace battery
	Antenna too close to ground	Relocate Receiver Module
	Transmitter is held too close to ground	Hold transmitter at least 3 ft. above ground
	Weak signal due to obstruction	Remote/relocate Receiver Module
Nuisance operation	Fluctuating supply voltage due to surge, etc.	If frequent - install surge suppressor
	Faulty receiver	Replace receiver module

### ONE YEAR LIMITED WARRANTY

If within the warranty period specified, this product fails due to a defect in material or workmanship, Intermatic Incorporated will repair or replace it, at its sole option, the unit free of charge. This warranty applies only to the original purchaser and is not transferable. This warranty does not apply to: (a) damage caused by accident, abuse, mishandling, dropping, acts of God, or any negligent use; (b) units which have been subject to unauthorized repair, opened, taken apart, or otherwise modified; (c) units not used in accordance with instructions (d) damages exceeding the cost of the product. Some states do not allow a limitation of damages, so the foregoing limitation may not apply to you. This warranty gives you specific legal rights and you may have other rights that vary from state to state.

INTERMATIC INCORPORATED WILL NOT BE LIABLE FOR INCIDENTAL OR CONSEQUENTIAL DAMAGES. THIS WARRANTY IS IN LIEU OF ALL OTHER EXPRESS OR IMPLIED WARRANTIES. ALL IMPLIED WARRANTIES, INCLUDING THE WARRANTY OF MERCHANTABILITY AND THE WARRANTY OF FITNESS FOR A PARTICULAR PURPOSE, ARE HEREBY MODIFIED TO EXIST ONLY AS CONTAINED IN THIS LIMITED WARRANTY, AND SHALL BE OF THE SAME DURATION AT THE WARRANTY PERIOD STATED ABOVE.

This warranty service is available by either (a) returning the product to the dealer from whom the unit was purchase, or (b) mailing postage prepaid to the nearest authorized service center listed. Please be sure to wrap the product securely when mailing to avoid shipping damage. This warranty is made by: Intermatic Incorporated/After Sales Service, 7777 Winn Rd., Spring Grove, IL 60081-9698/8150675-7000  
<http://www.intermatic.com>

*Because of our commitment to continuing research and improvements, Intermatic Incorporated reserves the right to make changes, without notice, in the specifications and material contained herein and shall not be responsible for any damages, direct or consequential, caused by reliance on the material presented.*

INTERMATIC INCORPORATED, SPRING GROVE, IL 60081

# INTERMATIC® RC SERIES REMOTE CONTROLS

## INSTALLATION OPERATION & SERVICE MANUAL

## SINGLE CHANNEL RADIO RECEIVERS

**Model: RC713L Switching Module / Model: RC715L Timer Override Module**

**For indoor and outdoor use, suitable for Pool/Spa equipment control**

**ELECTRICAL RATING: 15 Amp Resistive, 1200 Watt Tungsten, 1 HP Motor Load - 120 Volt.**

### FCC Information

**NOTE:** This equipment has been tested and found to comply with the limits for a Class B digital device, pursuant to part 15 of the FCC rules. These limits are designed to provide reasonable protection against harmful interference in a residential installation. This equipment generates, uses and can radiate radio frequency energy and, if not installed and used in accordance with the instructions, may cause harmful interference to radio or television reception, which can be determined by turning the equipment off and on, the user is encouraged to try to correct the interference by one or more of the following measures:

- Reorient or relocate the receiving antenna.
- Increase the separation between the equipment and receiver.
- Connect the equipment into an outlet on a circuit different from that to which the receiver is connected.
- Consult the dealer or an experienced radio/TV technician for help.

**Caution:** Changes or modifications not expressly approved by Intermatic Inc. could void the user's authority to operate this equipment.

## IMPORTANT SAFETY INSTRUCTIONS

1. This Control must be installed by a qualified electrician, according to National and Local Electrical Codes.
2. USE COPPER CONDUCTORS ONLY. If applicable, install this Control not less than 5 feet (3 meters for Canadian installations) of inside edge of pool or spa.
3. Do not exceed the maximum ratings of individual components, wiring devices, and current carrying capacity of conductors.
4. For grounding of the installation, refer to section 250 and 680 of the National Electrical Code.
5. This Control should not operate any equipment which would cause bodily injury or property damage should it be activated unexpectedly.
6. Always disconnect electricity at main panel before servicing this Control or the equipment(s) connected to it.  
**THIS CONTROL IS NOT TO BE USED AS A POWER DISCONNECT.**

**READ, FOLLOW AND SAVE THIS INSTRUCTION MANUAL**

## GENERAL INFORMATION

These Modular Radio Receivers are one half of a two part remote control system. They operate as ordinary ON/OFF switches but they also respond to the signals of a hand held transmitter - the other half of the system. The modules are designed for indoor or outdoor use, and can handle a variety of switching applications, typical around the house or farm. By the push of a button on the face of the transmitter, the user is able to turn ON/OFF the connected load (lights, pump, etc.) from any remote location\*, safely and conveniently. In addition, a single transmitter can operate up to four Receivers and is able to "teach" each Module a different code. (Transmitters are sold separately).

**Model RC713L Receiver Module** comes with its own manual ON/OFF button and it is intended to be installed at the location of the load. The connected load may be turned ON/OFF using the hand-held transmitter or turned ON/OFF by pushing the red button on the face of the Receiver.

**Model RC715L Receiver Module** is the same as the RC713L Module above, except it has no manual ON/OFF button on its face. This Module is designed to be connected to a timer and will override its pre-set program, without affecting the next automatic operation. At-site control of the load is possible by the ON/OFF switch of the timer.

\* The open field range is 100 feet but depends on many factors like the age of the battery, proximity of large metal objects, the location of the receiver and environmental conditions at the time of transmission.



## SPECIFICATIONS AND OTHER INFORMATION

### USEFUL INFORMATION

1. Radio Receivers are sensitive to heat. Avoid mounting them above heater, air conditioner or exposed to afternoon sun.
2. The higher the Receiver Module, the longer its range. For good range and reliable reception, install modules as high as practical above ground level with **antenna at top**.
3. Large metal objects divert radio signals. Avoid mounting Receiver Modules on metal wall, fence or near large metal objects.
4. Environmental conditions could effect the operation of the remote control system. For example, in rain the range may be less than normal.
5. Certain electric equipment like brush type motors or electronic gas heater igniters emit radio signals and can effect the function of the Receiver Module. Avoid mounting modules near such equipment.
6. Antenna orientation may increase or decrease the radio range. For best results, keep the antenna straight and adjust for better radio reception by bending the antenna near its base.

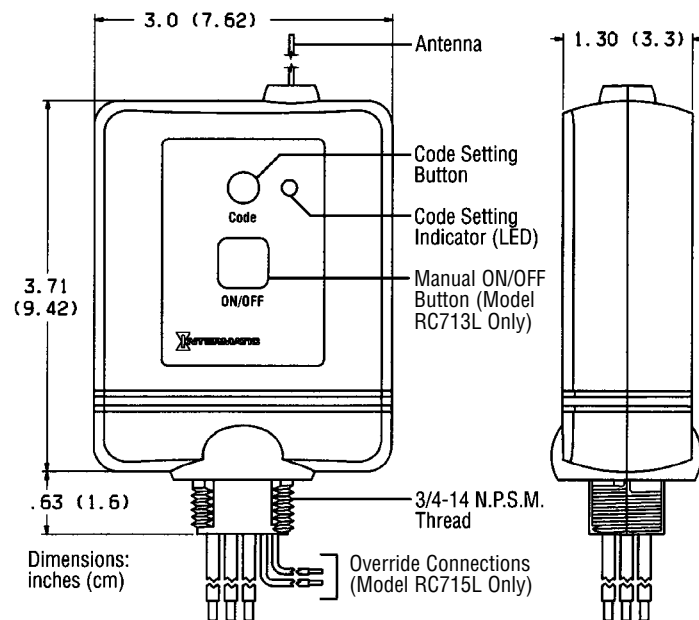


Figure 1

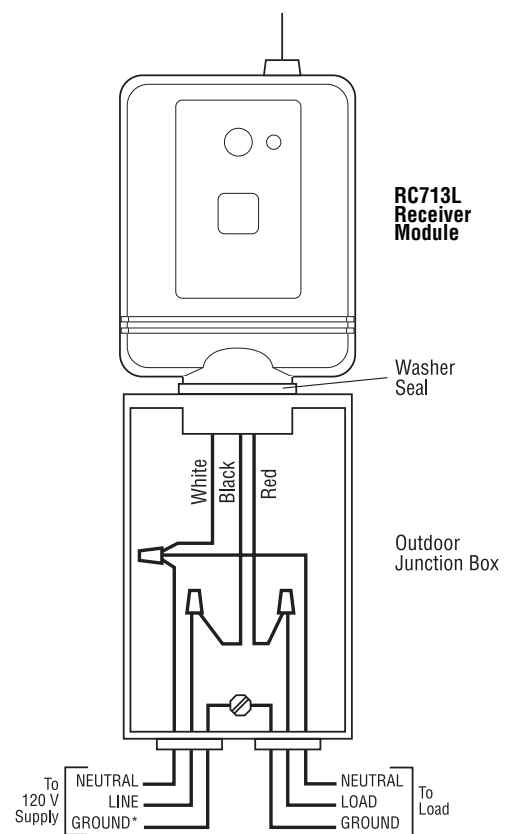
7. To prevent electronic interference, install Receiver Modules as far apart as practical.

## INSTALLATION

### A. ON/OFF Switching Application - use Model RC713L

**Make sure the intended load is within the capacity of the Module, see ratings on page 1 and other choices on page 4.**

1. Attach RC713L Receiver Module to the top of an outdoor grade junction box. Make sure the assembly is raintight.
2. Select the proper location (see Useful Information above) and install Receiver assembly on a vertical surface or other support, using hardware, suitable for the purpose.
3. Prepare the necessary conduit runs as required by the installation layout and pull-in the specified conductors.
4. Follow wiring diagram A on the right, make wire connections as shown.
5. Turn ON power and test installation, using the ON/OFF button on face of the Receiver Module. Replace junction box cover, make sure the installation is secure and raintight.
6. Set code, see Operating Instructions on page 3.



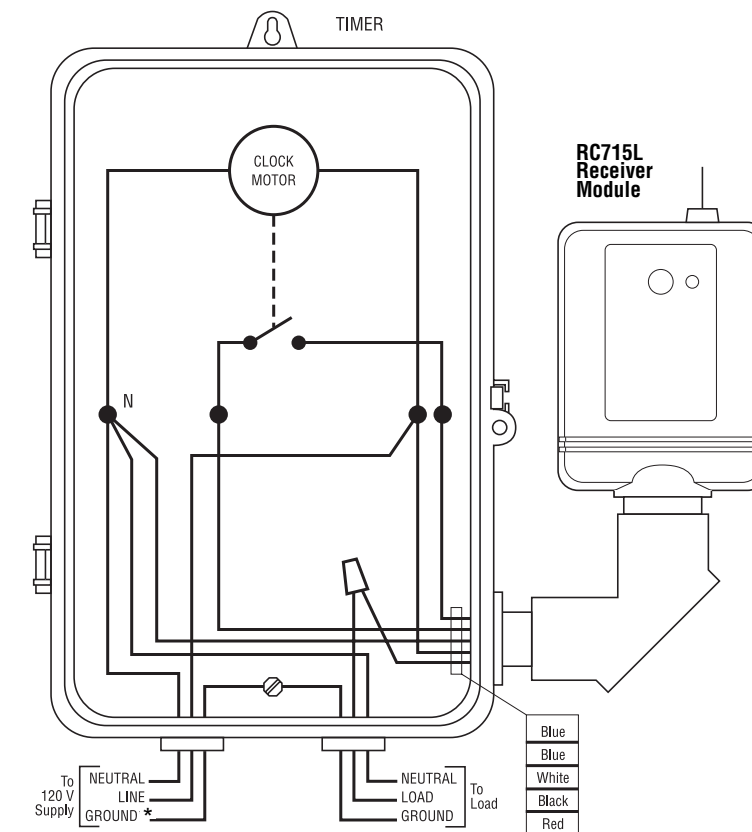
\*Ground connections may or may not be as shown.

Diagram A

### B. Timer Override Application - use Model RC715L

**An existing timer can only be upgraded if the load connected to the timer is within the capacity of the Receiver Module. Otherwise, the timer mechanism must be replaced with Intermatic Model P1103ME, see also other choices on page 4.**

1. Select the proper location (see Useful Information on page 2) and install a radio compatible timer on a vertical surface or other support, using hardware, suitable for the purpose.
2. Prepare the necessary conduit runs as required by the installation layout and pull-in the specified conductors.
3. Use one of the side knock-outs and a suitable conduit-L, attach Model RC715L Receiver Module to timer enclosure.
4. Follow wiring diagram B on the right, make wire connections as shown.
5. Turn ON power, and test installation, using the ON/OFF control of the timer.



\*Ground connections may or may not be as shown.

Diagram B

## OPERATION

*In case this device is used to operate pool/spa equipment...*

### **DANGER! To Reduce the Risk of Injury:**

*... do not permit children to operate the Control Unit or use the Pool/Spa unless they are closely supervised at all times.  
... test GROUND FAULT protection regularly. If it fails to reset, DO NOT USE THE POOL or SPA! Contact a qualified service technician.*

#### A. To Set Code

**Receiver Modules have the capacity to “learn” and remember a unique code, generated by a Transmitter. The Transmitter will operate only the designated Receiver. In addition, each Transmitter can “teach” and operate up to four different of Receivers.**

1. Turn ON the main power and manually operate the load a few times, then turn load OFF.
2. Press the “Code Set” button on the face of the Receiver Module. The green light next to the button should now be lit and stay lit for 30 seconds.
3. Hold the Transmitter close to the Receiver Module, press and hold the push button on the Transmitter that you choose to operate that particular Module. the red light on the Transmitter will light to indicate that it is transmitting. On the Receiver Module, the green light will flash rapidly after it is programmed.

To operate more than one Receiver Module with the **same** Transmitter button, in step 2 press the :”Code Set” button for each Receiver Module to be controlled. The green light next to the button will turn on. Press and hold the desired transmitter button until all Receiver Module green lights begin to flash.

To operate Receiver Modules **independently**, program the Modules as shown in steps 2 and 3 but use a different transmitter button for each Module.

**WARNING:** Changes or modifications to this unit not expressly approved by the party responsible for compliance could void the user's authority to operate the equipment.

**NOTE:** This equipment has been tested and found to comply with the limits for a Class B digital device, pursuant to Part 15 of the FCC Rules. These limits are designed to provide reasonable protection against harmful interference in a residential installation. This equipment generates, uses and can radiate radio frequency energy and, if not installed and used in accordance with the instructions, may cause harmful interference to radio communications.

However, there is no guarantee that interference will not occur in a particular installation. If this equipment does cause harmful interference to radio or television reception, which can be determined by turning the equipment off and on, the user is encouraged to try to correct the interference by one or more of the following measures:

- Reorient or relocate the receiving antenna.
- Increase the separation between the equipment and receiver.
- Connect the equipment into an outlet on a circuit different from that to which the receiver is connected.
- Consult the dealer or an experienced radio/TV technician for help.