
USER'S GUIDE

This equipment has been tested and found to comply with the limits for a Class B digital device, pursuant to part 15 of the FCC Rules. These limits are designed to provide reasonable protection against harmful interference in a residential installation. This equipment generates, uses and can radiate radio frequency energy and, if not installed and used in accordance with the instructions, may cause harmful interference to radio communication. However, there is no guarantee that interference will not occur in a particular installation. If this equipment does cause harmful interference to radio or television reception, which can be determined by turning the equipment off and on, the user is encouraged to try to correct the interference by one or more of the following measures :

- Reorient or relocate the receiving antenna.
- Increase the separation between the equipment and receiver.
- Connect the equipment into an outlet on a circuit different from that to which the receiver is connected.
- Consult the dealer of an experienced radio/TV technician for help.

NOTE : The manufacturer is not responsible for any radio or TV interference caused by unauthorized modifications to this equipment. Such modifications could void the user's authority to operate the equipment.

How to install	2
How to control the menu on screen	4
Pivot (*option)	8
Power Supply and Power Management System	9
A Trouble Shooting	10
Specifications	10
Mode Supported	12
Analog PC Graphics Port Signal Descriptions	13
Base Ass'y Alteration and Installation	14

vivid screen and crisp color.

- It is easy to control the resolution from SXGA(1280*1024), XGA(1024*768), SVGA(800*600) to VGA (640*480). It detects and configures automatically the optimal characteristics of input frequency.
- While receiving the output RGB video signal from computer, the monitor can display it up to 16 million colors.
- The user can set screen automatically by one-touch pressing. (AUTO key)
- The user can adjust the angle(90°) of the TFT LCD monitor according to customer's convenience. It must install Pivot software to make 4:3 frame to 3:4 frame.
- It provides a power saving function (DPMS).
- It provides "Plug-and-Play" so you may install this monitor easily.
- The emission of electromagnetic waves that can be harmful to the human body has been minimized.

- Do not open the inside of the monitor. If needed, contact with A/S center.

2. If the following problem occurs, disconnect the plug and contact our service center.

- When some or whole part of monitor is exposed to excessive humidity or moisture.
- In case there is a strange sound, smell, or smoke inside the monitor.

If the power cable is damaged, be extremely careful when disconnecting the plug.

How to install

1. Attention Point to install

- Do not use this product on an unstable place.
 - This product may fall, causing serious damage to the product.
- In the well-ventilated place, it is a good place where it is installed.
- Do not put the monitor in a damp place and close to a heating installation.
 - It may be cause of electric shock and breakdown.
- Do not put the metal or heavy goods on this product.
 - It may be cause of electric shock, a fire and breakdown.
- Do only install the power cord and adapter in the enclosed box.

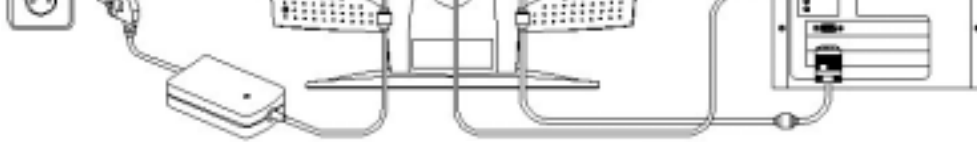
- Driver Diskette
- Speaker Cable
- Pivot Install CD^(*option)

If any of the above items are damaged or missing, please contact your customer service center as soon as possible.

3. Installing the monitor

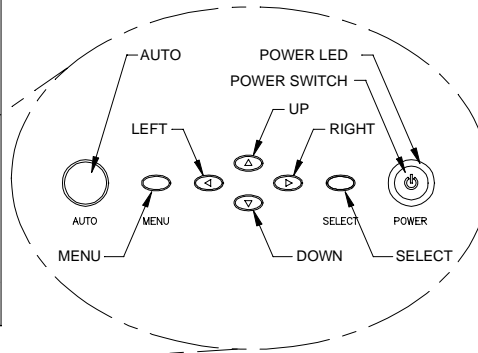
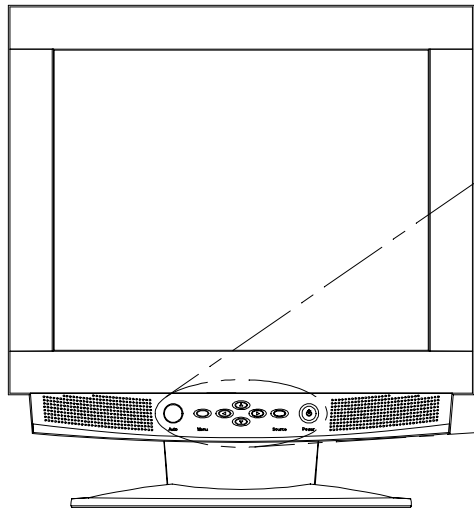
3.1 Connecting the LCD monitor with computer

1. Turn off the computer before connecting the monitor
2. Connect the signal cable from PC signal port to Monitor signal port.
3. Connect the audio cable from PC audio port to Monitor audio port.
4. Plug in the AC/DC adapter, and connect the DC connector to the DC Port on the back of the monitor.
5. Turn on the computer, then “Plug-and-Play” will run automatically. At this time, you should install the driver in driver diskette.



How to control the me

<Picture 1>



<Picture 2>

1. Names of front side, and their use

- AUTO Key (AUTO) : Operates AUTO Adjust without opening OSD menu.
- Menu Key (MENU) : Opens the OSD display and closes OSD menu display.

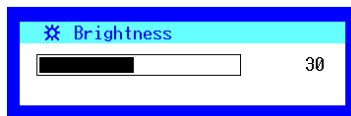
value of the selected item in submenu.

/ opens Volume menu without opening OSD menu.

- Select Key (SELECT) : Select Icons or functions in OSD menu and submenu.
- Power Key (POWER) : Turns the monitor on / off.
- Power LED : Green(normal operation). Yellow (DPMS mode).

	No MENU on display	OSD Main MENU	Sub-MENU
AUTO	Operates auto - configuration Directly	-	-
MENU	Opens OSD Main menu	Closes OSD main menu	Returns to OSD main menu
UP	Opens Brightness menu	-	-
DOWN	Opens Contrast menu	-	-
RIGHT	Opens Volume menu	Moves icon to the OSD Menu	Increases the value of the selected item
LEFT	Opens Volume menu	Moves icon to the Left in OSD Menu	Decreases the value of the selected item
SELECT	-	Selects item	Selects value and return to OSD main Menu

<Picture 3>



<Picture 4>

2. How to Control OSD menu

The OSD menu appears when the user presses the OSD calling button(MENU). The user can select the function and configure the selected function that best fits the computer environment. If no item is selected after the OSD menu is brought up, it automatically disappears after 15 seconds.

Moreover, the user can operate directly Brightness Menu, Contrast Menu and Volume Menu without calling OSD Menu.

ITEM	Contents	RIGHT	LEFT
Brightness	Adjusts brightness	Gets brighter	Gets darker
Contrast	Adjusts contrast	Screen color becomes more vivid	Screen color becomes duller
H-Position	Adjusts horizontal screen position	Moves screen to the right	Moves screen to the left
V-Position	Adjusts vertical	Moves screen to	Moves screen to

H-Position	position of OSD	Moves OSD to upward	Moves OSD to Downward
OSD V-Position	Adjusts vertical position of OSD		
Reset	Recovers the default value	RIGHT : Recovers the default value	LEFT : No change
Auto Adjust	Sets to auto - adjustment	RIGHT : Sets to Auto adjustment	LEFT : No change

- The OSD is in English only.
- When the cable is disconnected, the monitor will change into DPMS mode. Then a “Power Saving Mode” message will appear.
- If you entered a mode that does not support the monitor, the message “ Input Not Supported” will appear.

Ref.) For the best display quality, select ‘Auto Adjust’ in closing windows screen. It automatically adjusts vertical, horizontal position and screen noise as optimum. This ‘Auto Adjust’ does not support motion pictures and works only when the image fully appears on the screen.

3. Reset Function

The user can use the Reset function on OSD to adjust to the default value.

At this time, color information (Brightness,R,G,B,Contrast) are changed to factory

default value and Auto Config operates automatically after Reset for optimum quality.

Phase	(*1)	OSD V-Position	50
-------	------	----------------	----

(*1) : If you operate auto adjust, only these items will be set automatically.

(Color information will not be affected by auto adjust.)

Pivot (*option)

< Landscape >

< Portrait >



<Picture 5>

If you purchase pivot-enable model, you can set your monitor to portrait mode mechanically. You can rotate the screen to 90° for your convenience with simple procedure.

To rotate monitor, pull the front panel (up to 15°) and turn to clock-wise direction.

When you are working with word processor, image editor, web browser for web surfing , or etc, this pivot-enable can make your job more effective.

Power Supply and Power Management System

2. Power Management System

For the power management system of this monitor, DPMS(Display Power Management Signaling) of VESA(Video Electronic Standard Association) is included in the system. This reduces power consumption when the monitor is not being used. The color of LED lamp varies according to power consumption mode.

State	LED Color	Power consumption(AC)
Normal Use	Green light	Around 44W
Save mode	Yellow light	Around 4W

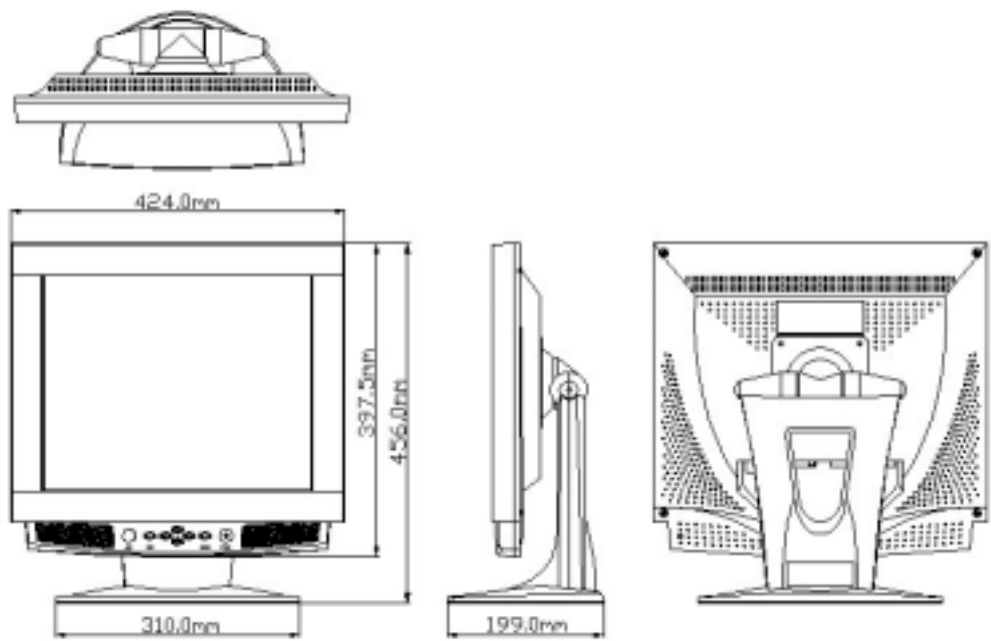
Ref.) To use the power saving function, follow the steps described below: Start > Settings > Control Panel > Display > Screen Saver > Energy Saving Features > Select "shut off monitor" > and adjust the time.

✓ The screen is out of focus or noise occurs.	✓ Check if the power supply is connected. ✓ Adjust the OSD menu that fits the computer. (Use Reset, Auto, Phase keys and so on) ✓ Check the compatibility between computer and the monitor.
✓ Change screen resolution	✓ Window 98(95): Select control panel ⇒ display ⇒ Setting.
✓ Setup DPMS mode	✓ Window 98(95): Select Window Saver or BIOS-SETUP of computer. (Refer to Service manual)

Specifications

SPEC	Description
Panel Type	TFT
Panel Size	17.0"
Resolution	1280 * 1024
Display Size	337.92(W) * 270.33(H) mm
Dot Pitch	0.264mm * 0.264mm
Color	16.7M colors (24bit color mode)
Contrast	TYP : 350 : 1 CR
Brightness	TYP : 200 cd/m ²
Compatibility	IBM, MAC
Input Signal	Analog R.G.B (0.7VP-P)
Connection Cable	D-sub 15 PIN
Plug-and-Play	VESA DDC 1,2B
Power Management System	VESA DPMS (Display Power Management Signaling)

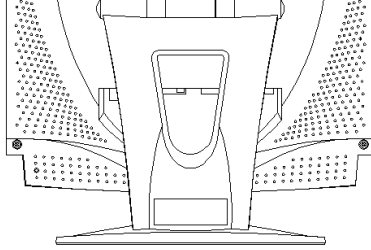
	Card
User's Adjustment	Brightness, Contrast, H/V Position, OSD H/V Position, Color RGB, Auto Config, Reset, Clock, Phase,



<Picture 6>

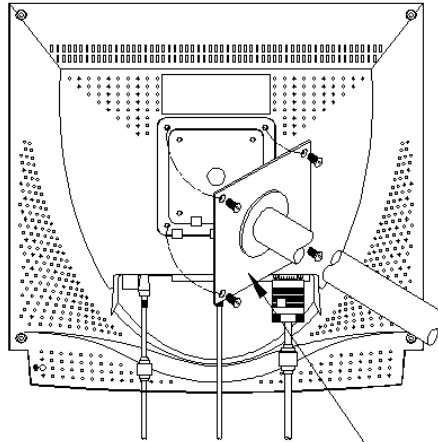
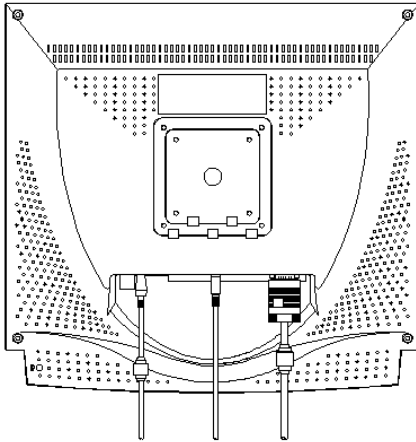
	800*600@60Hz	37.875	66.817	
	800*600@72Hz	48.077	72.188	
	800*600@75Hz	46.875	75.000	
XGA	1024*768@60Hz	48.363	60.004	
	1024*768@70Hz	56.476	70.069	
	1024*768@75Hz	60.023	75.029	
SXGA	1280*1024@60Hz	63.981	60.020	
	1280*1024@70Hz	74.620	70.000	
	1280*1024@72Hz	76.752	72.000	
	1280*1024@75Hz	79.976	75.025	
EGA	640*350@70Hz	31.469	70.086	IBM
CGA	640*400@70Hz	31.469	70.086	
EGA	720*350@70Hz	31.469	70.086	
DOS	720*400@70Hz	31.469	70.806	
XGA	1024*768@72Hz	57.515	72.1	
VGA	640*480@67Hz	35.000	66.667	
SVGA	832*624@75Hz	49.728	74.551	
XGA	1024*768@60Hz	48.780	60.001	
	1024*768@75Hz	60.241	74.927	

5	GND	Ground
6	GND-R	Ground
7	GND-G	Ground
8	GND-B	Ground
9	-	-
10	GND	Ground
11	-	-
12	SDA	DDC SDA
13	Hsync	Horizontal Sync
14	Vsync	Vertical Sync
15	SCL	DDC SCL



(Monitor back-side)

1. Turn off the monitor power and disconnect power cable from the outlet.
2. Put a safe cloth on a flat floor and place the monitor on it.
3. Disconnect screws and pull the base Ass'y.



External Base Ass'y

