

1.6 User Manual

English

Before using your headset for the first time

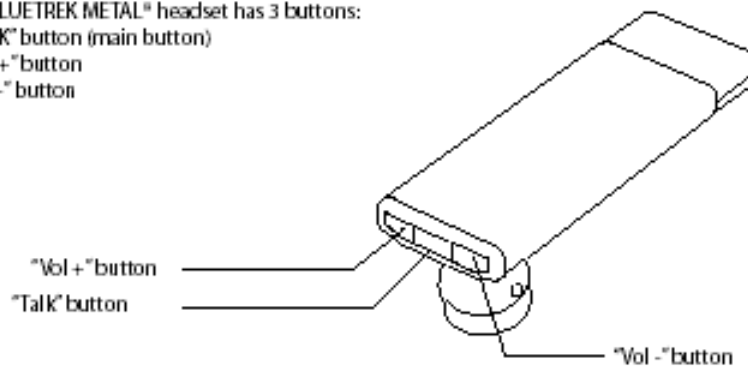
- You must charge it continuously for about 2 hours, until the red indicator light turns off. Please refer to the "Charging the BLUETREK METAL®" section of this manual.
- Pair the headset with a mobile phone. Please refer to the "Pairing the BLUETREK METAL®" section of this manual.

Introduction

The BLUETREK METAL® headset is a wireless headset based on the Bluetooth® technology. It complies with Bluetooth® 2.1 protocol, supporting Headset and Hands-free profile.

The BLUETREK METAL® headset has 3 buttons:

- "TALK" button (main button)
- "Vol +" button
- "Vol -" button



1 | BLUETREK METAL

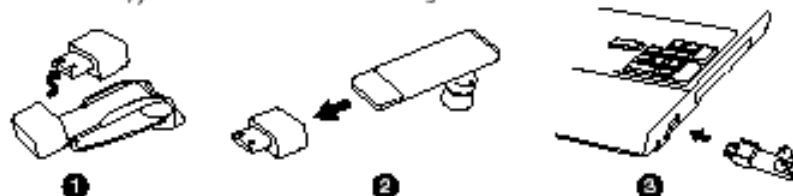
Charging the BLUETREK METAL®

Please insert the adapter in the main body. Then connect the USB connector to a powered USB slot.

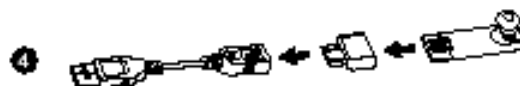
During the charge, the red Bluetooth indicator is switched on. The indicator light will turn off when the charge is complete.

During subsequent charges, the charging should take approximately 2 hours.

When you hear a low-tone beep in your headset at regular intervals, and the indicator light flashes in red, your headset needs to be recharged.



In some cases, you have to charge by the USB cable.



BLUETREK METAL | 2

English

Switching the BLUETREK® METAL ON and OFF

Switching BLUETREK® METAL ON

When your headset is off, press and hold the TALK button for about 3 seconds until the blue indicator light is on. A beep (3 tones) can be heard in the speaker. Release the TALK button.

Switching BLUETREK® METAL OFF

When your headset is on, press and hold the TALK button for about 5 seconds until the red indicator light is on. A beep (3 tones) can be heard in the speaker then release the TALK button.

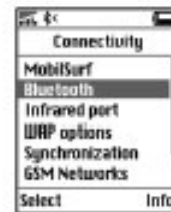
Pairing the BLUETREK® METAL

Before using the BLUETREK® METAL headset, you must pair it with your Bluetooth® mobile phone.

Pairing is the process of linking 2 Bluetooth® devices, so that they can communicate.

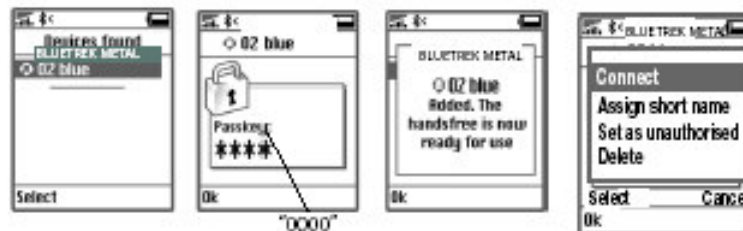
To initiate pairing:

- 1 Place the BLUETREK® METAL and your mobile phone within 0.3 meter (1 foot) from each other.
- 2 Switch on your phone and select its Bluetooth® discover mode (refer to the Bluetooth® mobile phone user manual).



BLUETREK METAL 1 3

- 3 When the BLUETREK® METAL is switched off, press and hold the TALK button for about 5 seconds until the indicator light flashes red and blue alternately. And a sound can be heard in the speaker. (If the headset is switched on for the first time, the headset will go to the pairing mode automatically.)
- 4 Once the mobile phone detects the headset, a "BLUETREK METAL" message will be displayed. Follow the phone instructions to accept the pairing. The PIN code (or passkey) is 0000, then press "yes" or "ok".
- 5 The headset will connect automatically to the mobile phone. For some phones, you may need to select "Connect".



If you haven't started the discovery mode within 5 minutes, the headset will go to the standby mode. You must then switch off your headset and start the pairing again.

If pairing was successful, the indicator light will switch to blue and flashes slowly.

If the headset is not connected to the mobile phone for 20 minutes, the headset is switched off by itself.

Making a call

Mobile phone with voice recognition

- Make sure the voice recognition function on your mobile is activated and your voice tags have been recorded with the phone. To enter these, please refer to your phone's manual
- When there is no incoming or active call, press once on the TALK button
- Wait for the audio signal sent by the mobile phone (generally a short tone).
- Speak the name of person you wish to call.

English

Mobile without voice recognition

- Make sure both the headset and the mobile phone are ON and in stand-by mode.
- Dial the number on the phone keypad, after approximately 2 seconds the audio connection will be established.

This function may not be available on some phones, please refer to the trouble shooting frequent asked questions in our website: www.bluetrek.com, to find out more.

Answering a call

When the headset rings, press once on the TALK button to take the call.

Ending a call

Press once on the TALK button to end an active call.

BLUETREK METAL | 5

Adjusting the volume

To increase the volume during an active call, press the "VOL+" button on the headset.
To decrease the volume during an active call, press the "VOL-" button on the headset.

English

Muting the microphone

To mute the microphone during an active call
During an active call, press and hold the VOL+ or VOL- button for approximately 3 seconds. A periodic tone can be heard in the speaker when the microphone is muted.

To end the mute function
When the microphone is muted, press and hold the VOL+ or VOL- button for approximately 3 seconds. The periodic tone will end.

Transferring a call from BLUETREK® METAL to the mobile phone

With a phone in Headset Profile
During an active call, to transfer it to the phone, simply turn off your headset.

With a phone in Hands-Free Profile
During an active call, to transfer it to the phone, double click the TALK button.

Transferring a call from the mobile phone to the BLUETREK®

With a phone in Headset Profile
Switch on your headset.

With a phone in Hands-Free Profile
During an active call on the mobile phone, double click the TALK button.
This function may not be available depending on your phone.

Call waiting

When you hear a call waiting alert while you are on a call, press approx. 3 seconds on the TALK button to accept the second call and place the current call on hold.
To switch between an active call and a hold call, press approx. 3 seconds on the TALK button.

To end the active call and take the hold call, press once on the TALK button.
This function may not be available, depending on your phone. However, you can always

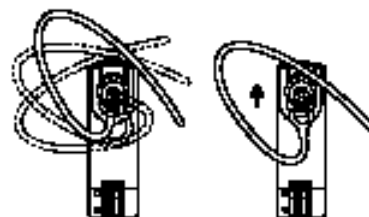
Placing/Retrieving on active call on hold

Press about 3 seconds on the Talk button to place the single active call in hold. Press again about 3 seconds on the TALK button to retrieve the held call.
This function may not be available depending on your phone.

BLUETREK METAL | 7

Wearing the BLUETREK® METAL

Two different sizes of ear hooks are included in the pack to suit your ear size.



Fitting the Ergobud® Advance

6 different sizes of Ergobud® Advance are included in the pack to suit your ear size.
You can adjust the Ergobud® Advance position that you feel the most comfortable.



To replace the Ergobud® Advance, remove the speaker cover by pulling gently out from the speaker.



Place the Ergobud® Advance back onto the speaker by inserting the bottom part first.



Additional features with some phones

Rejecting a call

Press the TALK button for about 3 seconds to reject a call.

Redial the last number

When there is no incoming or active call, press the TALK button for about 3 seconds until you hear a beep.

Multi-connection with mobile phone

The headset can be connected to two mobile phones at the same time.

Pair and connect the headset to the first mobile phone. Switch off the headset, switch on again to enter to the pairing mode, pair and connect the headset to the second mobile phone. Switch off the headset and on, the headset will auto reconnect to both mobile phones later.

More information and Support

Features may vary depending upon your mobile phone. You can check the compatibility on our website. You can also check with your phone manufacturer that your handset supports either handsfree or headset Bluetooth profiles.

To find out more, please refer to the trouble shooting frequent asked questions in our website: www.bluetrek.com.

Please contact us before returning the product to your dealer and we will help you through any difficulty you may have.

BLUETREK METAL | 9

Important safety and operational information

Please read the following information before using the headset. Additional warnings may be present on the product, packaging or in the user manual.

Warnings

- Using Bluetooth headset at high volume level and noisy background can potentially cause hearing loss.
- The volume level of the Bluetooth® headset may vary, depending on your mobile phone. Before using your headset for the first time, adjust the headset volume to the lowest, then increase the volume gradually until you reach to an acceptable level.
- High levels of volume may result in hearing loss, avoid using the headset at high volume continuously. If you experience ringing in your ears or muffled speech, consult your doctor immediately and stop using the headset.
- Check local laws regarding use of a mobile phone and earpiece while driving. If you use the earpiece while driving ensure your attention and focus remain on driving safely.
- Observe all signs and instructions that require an electrical device or RF radio product to be switched off in designated areas, such as gas/refueling stations, hospitals, blasting areas, potentially explosive atmospheres, or aircraft.

P/RH-702-00157-01



- For optimal performance, wear your headset and your mobile phone on the same side of your body or within line of sight and angle the headset so that it points toward your mouth.
- For better performances, avoid the microphone touching your jaw or face. The face will absorb some of the transmission output power and reduce the range. It also leads to possible noise in audio. Use hook or not to have the microphone 1cm from your jaw.

Charge warnings

- For your first time use, please charge your headset for 3-4 hrs until the red indicator light turns off.
- To maximize battery lifetime, it is recommended to recharge your headset to full capacity only when the battery is low, since a battery has a life time of about 350 charging cycles.
- If you leave your headset battery empty for an extended period of time, it could excessively discharge the battery. In this case, charge your headset for 3 hours or more until the battery recovers and recharges completely. When you first charge the headset after prolonged storage, it may take few minutes for the red indicator light to turn on.
- It is recommended to full charge your headset before you store it for long periods of time without use.
- If your headset is fully charged, the red indicator light will not turn on when plugging into the charger.
- Do not over charge your headset for more than 10 hours.
- The use of any other charger will automatically suspend the warranty. It is forbidden and can be dangerous.
- Ensure that the voltage rating corresponds to the local mains or power supply you intend to use.
- Optimal handling may not always be practical in real life. Deviations from the ideal are acceptable but will lower the life expectancy of the battery to some degree.

Others warnings

- Do not drop or try to alter the shape of your headset.
- Do not expose your headset to liquid, moisture, fire, open flames and extreme temperatures. Operating and storage temperature is 0°C to +40°C (32°F to +104°F)
- Keep your headset away from dust and dirt.
- Do not try to disassemble your headset. Service and Maintenance can only be performed by authorized dealers.
- Do not let children play with your headset, since it contains small parts that could become detached and create a choking hazard. Keep all products, cords, and cables away from children. As with all corded products, there is a danger of strangulation if a cord should become wrapped around your neck.
- Install and use earbuds in accordance with the instructions provided. Do not force the speaker and earbuds down the ear canal. If either becomes lodged in the ear canal, seek medical attention immediately.

Certification and Safety approvals

This product is CE marked according to the provisions of the R&TTE Directive (99/5/EC). We declare that this product is in compliance with the essential requirements and other relevant provisions of Directive 1999/5/EC. For further information, please refer to website.

FCC/ Industry Canada Notice

This device complies with Part 15 of the FCC rules. Operation is subject to the following two conditions: (1) This device may not cause harmful interference. (2) This device must accept any interference received, including interference that may cause undesired operation.

In compliance with Industry Canada regulations, technical specifications have been provided in a declaration of conformity. This does not imply that Industry Canada approved the equipment.

Caution: Changes or modifications to this Bluetooth® headset not expressly approved by the party responsible for compliance could void the user's authority to operate it.

www.tuv.com



Bluetooth® is a trademark owned by Bluetooth SIG, Inc. and is used by the manufacturer under license.



For more information, please visit our website : www.bluetrek.com



Note on environmental protection:

After the implementation of the European Directive 2002/95/EU in the national legal system, the following applies:
Electrical and electronic devices may not be disposed of with domestic waste. Consumers are obliged by law to return electrical and electronic devices at the end of their service lives to the public collecting points set up for this purpose or point of sale. Details to this are defined by the national law of the respective country. This symbol on the product, the instruction manual or the package indicates that a product is subject to these regulations. By recycling, reusing the materials or other forms of utilizing old devices, you are making an important contribution to protecting our environment.