

www.tuv.com

1.6 User Manual

EC - Declaration of Conformity

We, ModeLabs Technologies Ltd of
31/F China Online Centre,
333 Lockhart Road,
Wan Chai, Hong Kong

declare under our sole responsibility that our product

BLUETREK SURFACE SOUND COMPACT

to which this declaration refers is in conformity with the appropriate standards

EN55013
EN55020

September 2007



Guillaume Ponticelli, Director of Development

FCC/ Industry Canada Notice

This device complies with Part 15 of the FCC rules. Operation is subject to the following two conditions: (1) This device may not cause harmful interference. (2) This device must accept any interference received, including interference that may cause undesired operation.

In compliance with Industry Canada regulations, technical specifications have been provided in a declaration of conformity. This does not imply that Industry Canada approved the equipment.

Caution: Changes or modifications to this unit not expressly approved by the party responsible for compliance could void the user's authority to operate it.

® Trademark of New Transducers Limited

Before using your BLUETREK® SURFACE SOUND COMPACT for the first time, you must charge it continuously for approximately 10 hours, until the red indicator light turns off. Please refer to the “Charging the BLUETREK® SURFACE SOUND COMPACT” section of this manual.

Introduction

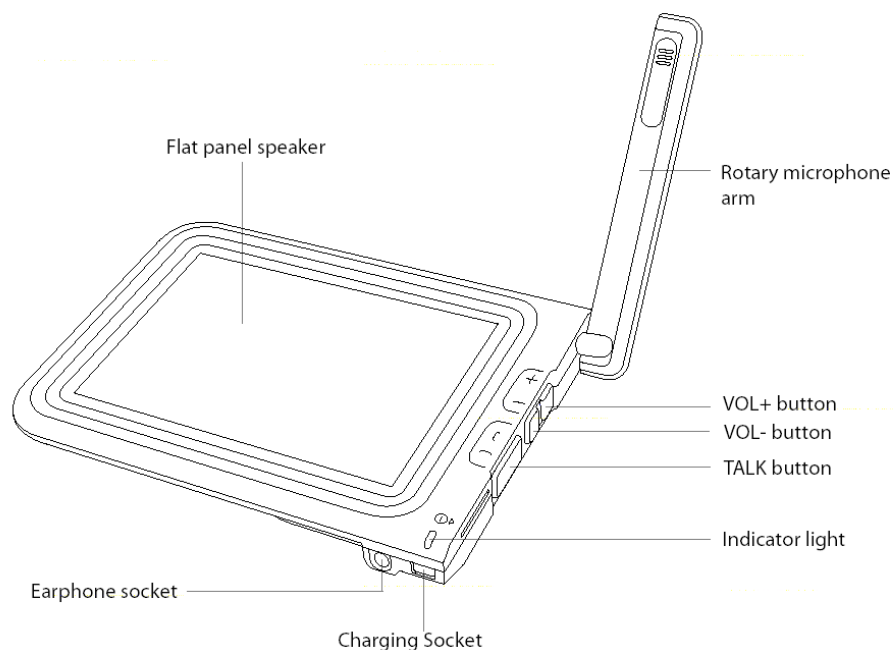
The BLUETREK® SURFACE SOUND COMPACT is a wireless car kit based on Bluetooth® technology. It complies with Bluetooth® 1.2 protocol, supporting Headset and Handsfree profile.

A built-in voice alert is an advanced feature that is now available on your car kit. A recorded voice reminds you of the actions in your car kit, such as: reject a call, redial the last number, redial the last incoming call, when you have a missed call, dial the missed call, cancel the missed call, when your car kit is connected/disconnected and when your car kit needs to be charged. The voice alert feature is activated by default. You may choose to activate/inactivate this function by pressing both TALK button and VOL- for approximately 7 seconds, it will then restart and connect automatically.

The BLUETREK® SURFACE SOUND COMPACT has 3 buttons:

- “TALK” button (main button)
- “VOL+” button
- “VOL-” button

1 | BLUETREK SURFACE SOUND COMPACT



BLUETREK SURFACE SOUND COMPACT | 2

Using the BLUETREK® SURFACE SOUND COMPACT in different environment

Mounting on the sun visor as a car kit

When using your BLUETREK® SURFACE SOUND COMPACT in your car, simply mount the unit onto the visor with the clip as shown in Diagram 1.

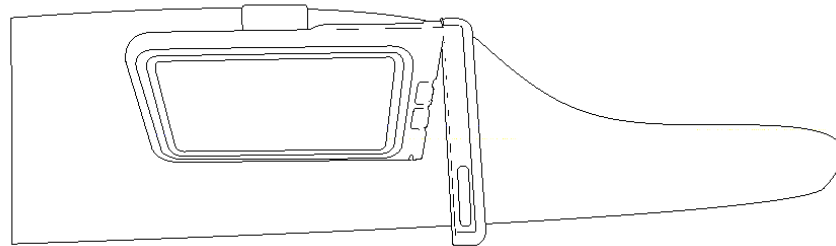


Diagram 1

3 | BLUETREK SURFACE SOUND COMPACT

Using the earphone for private conversations

You can enjoy private conversations by plugging the supplied earphone into the socket as shown in Diagram 2.

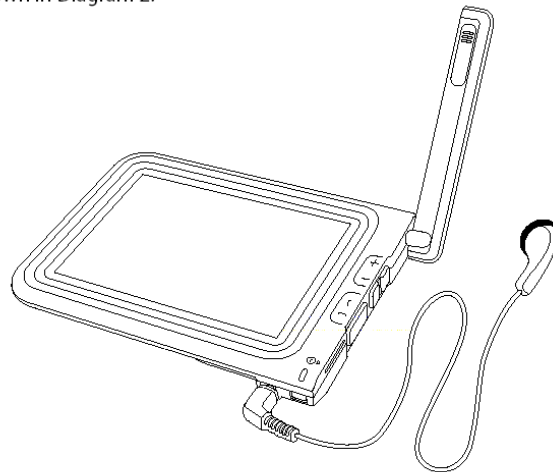


Diagram 2

BLUETREK SURFACE SOUND COMPACT | 4

Charging the BLUETREK® SURFACE SOUND COMPACT

Connect the charging cable to the car charger and insert the car charger into the cigarette lighter socket as shown in Diagram 3.

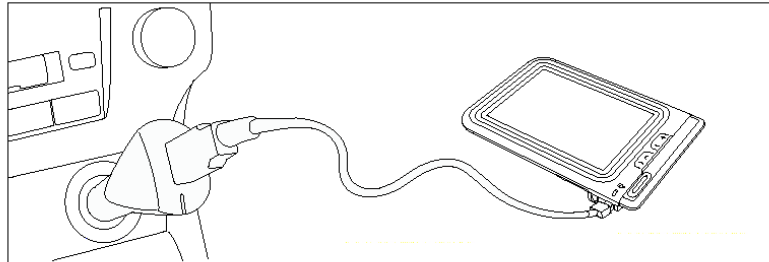


Diagram 3

5 | BLUETREK SURFACE SOUND COMPACT

You can also connect the charging cable to a USB socket.

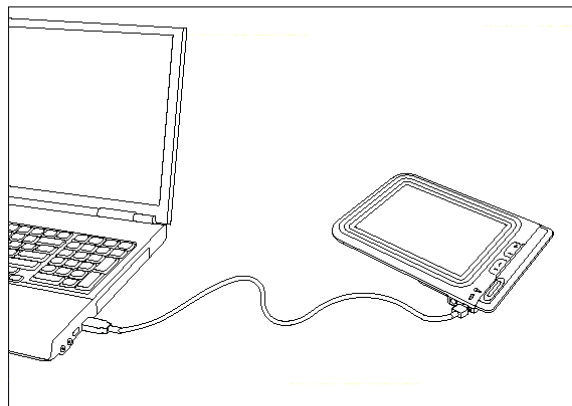


Diagram 4

While charging, the indicator light on the BLUETREK® SURFACE SOUND COMPACT should be red. The indicator light will turn off when the unit is fully charged. Subsequent charges should take approximately 4 hours.

When the indicator light on your BLUETREK® SURFACE SOUND COMPACT flashes in red at regular intervals (or the voice alert is activated), the unit needs to be recharged.

BLUETREK SURFACE SOUND COMPACT I 6

Important:

- If your BLUETREK® SURFACE SOUND COMPACT is fully charged, the red indicator light will not turn on when plugged into the charger.
- To maximize battery lifetime, you should recharge your BLUETREK® SURFACE SOUND COMPACT to full capacity only when the battery is low, because the battery has a lifetime of approximately 500 charging cycles.
- If you leave your BLUETREK® SURFACE SOUND COMPACT on with battery empty for an extended period of time, it is recommended that you first switch off the BLUETREK® SURFACE SOUND COMPACT before charging and charges it for 3 hours or more until it is completely recharged. When you first charge the BLUETREK® SURFACE SOUND COMPACT after prolonged storage, the red indicator light might not turn on until after a few minutes.
- Do not charge your BLUETREK® SURFACE SOUND COMPACT for more than 24 hours.
- The use of any other charger will automatically void the warranty, it is strictly forbidden and can be unsafe.

7 | BLUETREK SURFACE SOUND COMPACT

Pairing the BLUETREK® SURFACE SOUND COMPACT

Before using the BLUETREK® SURFACE SOUND COMPACT, you must pair it with your Bluetooth® mobile phone. Pairing is the process of linking 2 Bluetooth® devices, so that they can communicate.

To initiate pairing:

1. Place the BLUETREK® SURFACE SOUND COMPACT and your mobile phone within 0.3 meter (1 foot) from each other.
2. Switch on your phone and select its Bluetooth® discover mode (refer to the Bluetooth® mobile phone user manual).
3. When the BLUETREK® SURFACE SOUND COMPACT is switched on, press and hold both the TALK button and the VOL+ button for about 5 seconds until the indicator light flashes red and blue alternately. And a sound can be heard in the speaker.
4. Once the mobile phone detects the car kit, a "BLUETREK COMPACT" message will be displayed. Follow the phone instructions to accept the pairing. The PIN code (or passkey) is 0000, then press "yes" or "ok".

If pairing was successful, the indicator light will switch to blue and flashes slowly.

If you haven't started the discovery mode within 5 minutes, it will stop. In this case, you must start the pairing again as step 3 above.

Switching the BLUETREK® SURFACE SOUND COMPACT ON and OFF

Switching the BLUETREK® SURFACE SOUND COMPACT ON

Switch on the BLUETREK® SURFACE SOUND COMPACT by lifting up the microphone arm as shown in Diagram 5. You will hear a beep (2 tones) in the speaker (and continuous connecting beeps until it is connected to the handset).

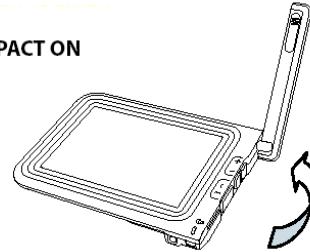


Diagram 5

Switching the BLUETREK® SURFACE SOUND COMPACT OFF

Switch off the BLUETREK® SURFACE SOUND COMPACT as shown in Diagram 6.

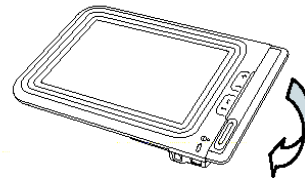


Diagram 6

9 | BLUETREK SURFACE SOUND COMPACT

Making a call

*Mobile phone with voice recognition

- . Make sure the voice recognition function on your mobile is activated and your voice tags have been recorded with the phone. To enter these, please refer to your phone's manual.
- . When there is no incoming or active call, press once on the TALK button
- . Wait for the audio signal sent by the mobile phone (generally a short tone).
- . Speak the name of person you wish to call.

Mobile without voice recognition

- . Make sure both the headset and the mobile phone are ON and in stand-by mode.
- . Dial the number on the phone keypad, after approximately 2 seconds the audio connection will be established.

*This function may not be available on some phones, please refer to the trouble shooting frequent asked questions in our website: www.bluetrek.com to find out more.

Answering a call

When your BLUETREK® SURFACE SOUND COMPACT is OFF

Switch on your BLUETREK® SURFACE SOUND COMPACT. It will automatically transfer the call from the phone to the car kit. For some phones, you may need to press "Connect" on the phone.

When your BLUETREK® SURFACE SOUND COMPACT is ON

Press once on the TALK button to take the call.

Ending a call

Press once on the TALK button to end an active call.

Adjusting the volume

To increase the volume during an active call, press the "VOL+" button on the BLUETREK® SURFACE SOUND COMPACT.

To decrease the volume during an active call, press the "VOL-" button on the BLUETREK® SURFACE SOUND COMPACT.

Muting the microphone

To mute the microphone during an active call

During an active call, press and hold the VOL+ button for approximately 2 seconds. A periodic tone can be heard in the speaker when the microphone is muted. You can still adjust the speaker volume by pressing shortly on the VOL+ or Vol- button.

To end the mute function

When the microphone is muted, press and hold the VOL+ button for approximately 2 seconds. The periodic tone will end.

11 | BLUETREK SURFACE SOUND COMPACT

Transferring a call from the BLUETREK® SURFACE SOUND COMPACT to the mobile phone

During an active call, double click on the TALK button

(This function only works in the Hands-Free Profile)

In Headset profile, you can simply turn off the BLUETREK® SURFACE SOUND COMPACT.

Transferring a call from the mobile phone to your BLUETREK® SURFACE SOUND COMPACT

During an active call, double click on the TALK button. (It will take few seconds to re-establish the connection between the mobile phone and the car kit).

Call waiting

When you hear a call waiting alert while you are on a call, press the TALK button on the BLUETREK® SURFACE SOUND COMPACT for approximately 3 seconds to accept the second call and place the current call on hold.

To switch between an active call and a held call, press the TALK button on the BLUETREK® SURFACE SOUND COMPACT for approximately 3 seconds.

To end the active call and take the held call, press the TALK button once on the BLUETREK® SURFACE SOUND COMPACT.

This function may not be available, depending on your phone. However, you can always answer the second call via your phone keypad.

BLUETREK SURFACE SOUND COMPACT | 12

Alert for missed call

If the voice alert is activated, the BLUETREK® SURFACE SOUND COMPACT will warn you periodically if you have a missed call.

To dial the missed call number

Press once on the TALK button on the car kit.

To cancel the missed call

Double click on the TALK button on your car kit.

Additional features with some phones

Rejecting a call

Press the TALK button on your car kit for approx. 3 seconds to reject the call.

Redial the last number

When there is no incoming or active call, press the VOL+ button on your car kit for approx. 3 seconds.

Calling the last incoming call

When there is no incoming or active call, press the VOL- button on your car kit for approx. 3 seconds.

13 | BLUETREK SURFACE SOUND COMPACT

Troubleshooting guide

The first thing you should do when encountering a problem that you cannot solve with this manual is to switch off all the devices and switch them on again.

To find out more, please refer to the frequently asked questions on our website: www.bluetrek.com.

Guidelines for safe use

Read these guidelines before using your BLUETREK® SURFACE SOUND COMPACT.

- The volume level of the BLUETREK® SURFACE SOUND COMPACT may vary, depending on your mobile phone. Before using your car kit for the first time, adjust the volume to the lowest level then increase it gradually until you reach an acceptable level. High volume levels may result in hearing loss, so you should avoid using the BLUETREK® SURFACE SOUND COMPACT continuously at high volume. If you experience ringing in your ears or muffled speech, consult your doctor immediately and stop using the BLUETREK® SURFACE SOUND COMPACT.
- Do not drop or try to alter the shape of your BLUETREK® SURFACE SOUND COMPACT.
- Do not expose your BLUETREK® SURFACE SOUND COMPACT to liquid or moisture.
- Do not expose your BLUETREK® SURFACE SOUND COMPACT to extreme temperatures. Temperature range: -20 - 60 °C.
- Do not expose your BLUETREK® SURFACE SOUND COMPACT to fire or open flames.
- Do not try to disassemble your BLUETREK® SURFACE SOUND COMPACT. Service and maintenance can only be performed by authorized BLUETREK® dealers.
- Keep your BLUETREK® SURFACE SOUND COMPACT away from dust and dirt.
- Do not let children play with your BLUETREK® SURFACE SOUND COMPACT, because it contains small parts that could become detached and cause choking.
- Check the regulations in your area if you plan to use your BLUETREK® SURFACE SOUND COMPACT while driving.

CAUTION : There is danger of explosion if the battery is incorrectly replaced. Dispose of batteries according to local regulations and not as household waste.

15 | BLUETREK SURFACE SOUND COMPACT