

Home Theater Controller

Installation and User Guide



Control 

AVM-HTC1-B, AVG-HTC1-B

Disclaimer

Control4® makes no representations or warranties with respect to this publication, and specifically disclaims any express or implied warranties of merchantability or fitness for any particular purpose. Control4 reserves the right to make changes to any and all parts of this publication at any time, without any obligation to notify any person or entity of such changes.

Trademarks

Control4, EZ ID, and the Control4 logo are trademarks or registered trademarks of Control4 Corporation. Other product and company names mentioned in this document may be the trademarks or registered trademarks of their respective owners.

Legal Notice

Fraunhofer IIS and Thomson. MPEG Layer-3 audio coding technology license from Fraunhofer IIS and Thomson. Supply of this product does not convey a license nor imply any right to distribute content created with this product in revenue-generating broadcast systems (terrestrial, satellite, cable, and /or other distribution channels), streaming applications (via Internet, intranets, and/or other networks), other content distribution systems (pay-audio or audio-on-demand applications, and the like) or on physical media (compact discs, digital versatile discs, semiconductor chips, hard drives, memory cards, and the like).

Decisionmark is the service provider of analog and digital TV off-air cable and satellite channel list.

Radio Locator is the service provider of AM/FM channel list.

© 2005 *All Media Guide, LLC* provides music and video recognition technology that provides cover art and related text that enriches the Control4 user interfaces.

Copyright

Copyright © 2005 Control4. All rights reserved. No part of this publication may be reproduced, photocopied, stored on a retrieval system, or transmitted without the express written consent of the publisher.

Contact Us

Control4 Corporation
11734 S. Election Road
Salt Lake City, UT 84020 USA
<http://www.control4.com>

Home Theater Controller Installation and User Guide
Part Number: 21-0250 Rev B Regulatory Draft 2
Hardware Model Number: AVM-HTC1-B and AVG-HTC1-B

Contents

Preface	Important Information	1
	Graphical Symbols on the Device.....	1
	Graphical Symbols in this Guide.....	1
	Important Safety Instructions	3
	Additional Resources	4
Chapter 1	Introduction to Home Theater Controller	5
	Role in a Control4 System	5
	Features and Benefits.....	6
	Space Saving Design	6
	Powerful Automation Controller	6
	Easy to Setup and Use	7
	Requirements	7
	What's in the Box.....	7
	Front View.....	8
	Back View	9
	Specifications.....	10
	Control4 Supported Devices	11
Chapter 2	Install the System	13
	Plan the Equipment Layout.....	13
	Meet Home Network Requirements	13
	Plan the System Connections.....	14
	Connect to the Network	16
	Power Up the Home Theater Controller	16
	Connect Devices.....	17
	Use the Pluggable Terminal Block	
	Connector	17
	Connect to the Contact Port	18
	Connect to the Relay Port.....	19
	Connect the Serial Port.....	20
	Set Up IR Emitters	21
	Use Video Sense Loops	21

Chapter 3	Configure the System	23
	Design and Setup the System	23
	Interviewer	24
	The Main Composer Interface	25
	Configure a Wireless Network (WiFi)...	26
	Set Up Media and Create Playlists	26
	Program the Home Automation System	27
Chapter 4	Use Home Theater Controller.....	29
	Control Devices and Use the System ..	29
	Front Panel	30
	On-Screen Navigator	31
	System Remote Control with LCD ..	32
	Set up and Use External Storage Device	33
	Change On-screen Navigator Themes	33
Chapter 5	Warranty and Regulatory Compliance Informa-	35
	tion	35
	Warranty	35
	Limited Hardware Warranty	35
	Hardware Warranty Terms	36
	Software Agreement	39
	Regulatory Compliance	40
	Federal Communications Commission	
	(FCC).....	40
	Industry Canada Statement	41
	Underwriters Laboratories Inc. (UL)	41

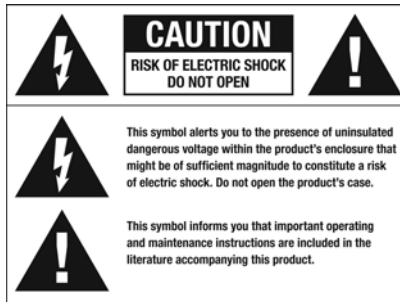
Important Information

This preface provides the following information:

- ▶ Graphical Symbols on the Device
- ▶ Graphical Symbols in this Guide
- ▶ Important Safety Instructions
- ▶ Additional Resources

Graphical Symbols on the Device

The following information has been placed on the device:



Graphical Symbols in this Guide

The following symbols and their descriptions draw your attention to important safe practices and additional information that can help you avoid injury, death, or loss of material or time.



WARNING! This indicates a potentially hazardous situation that, if **not** avoided, may result in death or serious injury. **DO NOT IGNORE A WARNING!**



CAUTION! This indicates a potentially hazardous situation that, if **not** avoided, may result in minor or moderate injury. **DO NOT IGNORE A CAUTION!**



IMPORTANT! This indicates information that will help you avoid damage to your equipment, loss of materials, or loss of time. **PAY ATTENTION TO THESE IMPORTANT STATEMENTS!**



NOTE: This indicates a note on related information about the current topic.



TIP: This indicates a tip that might save you time or effort.

Important Safety Instructions

1. Read these instructions.
2. Keep these instructions.
3. Heed all warnings.
4. Follow all instructions.
5. Do not use this apparatus near water.
6. Clean only with dry cloth.
7. Do not block any ventilation openings. Install in accordance with the manufacturer's instructions.
8. Do not install near any heat sources such as radiators, heat registers, stoves, or other apparatus (including amplifiers) that produce heat.
9. Do not defeat the safety purpose of the polarized or grounding-type plug. A polarized plug has two blades with one wider than the other. A grounding type plug has two blades and a third grounding prong. The wide blade or the third prong are provided for your safety. If the provided plug does not fit into your outlet, consult an electrician for replacement of the obsolete outlet.
10. Protect the power cord from being walked on or pinched particularly at plugs, convenience receptacles, and the point where they exit from the apparatus.
11. Only use attachments/accessories specified by the manufacturer.

12. Unplug this apparatus during lighting storms or when unused for long periods of time.
13. Refer all servicing to qualified service personnel. Servicing is required when the apparatus has been damaged in any way, such as power-supply cord or plug is damaged, liquid has been spilled or objects have fallen into the apparatus, the apparatus has been exposed to rain or moisture, does not operate normally, or has been dropped.
14. This apparatus has no AC mains power switch. The appliance coupler is the AC mains disconnect device. As such, the appliance coupler must remain readily operable; that is, it must be readily accessible, and operation of the disconnect device must be free from obstruction.



WARNING! To reduce the risk of fire or electrical shock, do not expose this apparatus to rain or moisture.



WARNING! This CLASS I apparatus must be connected to an AC mains socket outlet that has a protective earthing connection (i.e., third-prong ground conductor). **DO NOT DEFEAT THE PROTECTIVE EARTHING CONNECTION!**

Additional Resources

The following resources are available to provide you with additional support.

- ▶ Your authorized Control4 reseller
- ▶ Control4 Web Site: <http://www.control4.com>
- ▶ Composer online help
- ▶ Composer Media Edition online help

1 Introduction to Home Theater Controller

This chapter introduces a Control4 home automation system and explains the important role a Control4 Home Theater Controller plays in that system.

It contains the following information:

- ▶ Role in a Control4 System
- ▶ Features and Benefits
- ▶ Requirements
- ▶ What's in the Box
- ▶ Control4 Supported Devices

Role in a Control4 System

An essential component in every Control4 home automation system is a controller that acts as the central processor of the system.

Control4 controllers provide options for controlling lights, home theaters, distributed audio systems, and other devices controlled using various protocols, such as Infra Red (IR), Serial, Contact, Relay, etc.

The Home Theater Controller provides extensive media management services for audio and video sources, such as CDs and DVDs stored in connected devices. An internal hard drive stores user interface information and media cover art locally for quicker access. It also allows you to use an external storage device with USB support for media storage.

Features and Benefits

The Home Theater Controller makes it easy for anyone to add intelligent control to their home theater at an affordable price.

It allows easy navigation and control using the included On-screen display and System Remote Control. It also includes multi-zone audio capabilities, sending music to rooms throughout the home.

Space Saving Design

- ▶ **Compact footprint** – Fits well in any home theater system with its half-rack design.
- ▶ **Horizontal or vertical orientation** – Allows you to place flat or upright, out of sight behind bookshelf speakers or tucked into other small spaces around the home.
- ▶ **Replaces multiple remotes** – Allows for replacement of other remote controls in the home.

Powerful Automation Controller

- ▶ **Complete theater control** – Provides multiple IR outputs and intelligent video sensing, making control of the entire home theater easy.
- ▶ **Complete home control** – Allows complete control of the whole home using devices controlled by IR contacts, relays, serial, IR, or other protocols.
- ▶ **Standards-based control** – Devices throughout the home are controlled via wired or wireless communication (Ethernet or ZigBee 802.15.4 mesh networking).
- ▶ **Seamless integration** – Works with Control4 and a comprehensive array of third party components.

Easy to Setup and Use

- ▶ **Easy configuration** – Provides a software wizard on a connected PC that guides users through the installation process.
- ▶ **Connections made easy** – Provides easy setup with the included cables and clearly marked connectors on the back panel.

Requirements

- ▶ Wired or wireless Ethernet or WiFi (IEEE 802.116/g) network in place
- ▶ Home Theater Controller (this product)
- ▶ System Remote Control and On-screen Navigation (included)
- ▶ A monitor or TV for on-screen navigation and control

What's in the Box

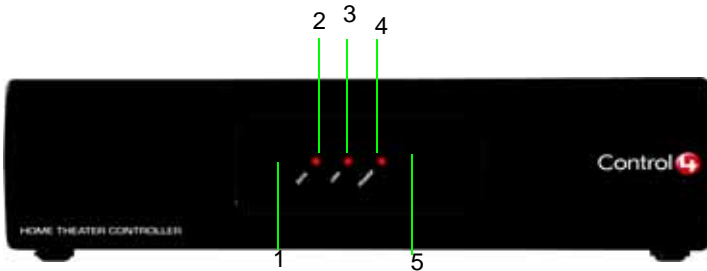
The following are included in your Home Theater Controller box:

- ❑ Home Theater Controller and On-screen Navigator
- ❑ Screwable or Pluggable terminal block connector (1)
- ❑ System Remote Control with LCD Navigator display and 4 AAA batteries
- ❑ S-VIDEO cable
- ❑ Composite video cable
- ❑ IEC power cord
- ❑ IR emitters (6)
- ❑ Stereo RCA cable
- ❑ *Home Theater Controller Installation and User Guide* (this manual)
- ❑ *On-Screen Navigator User Guide*
- ❑ *System Remote Control User Guide*

This section included the following:

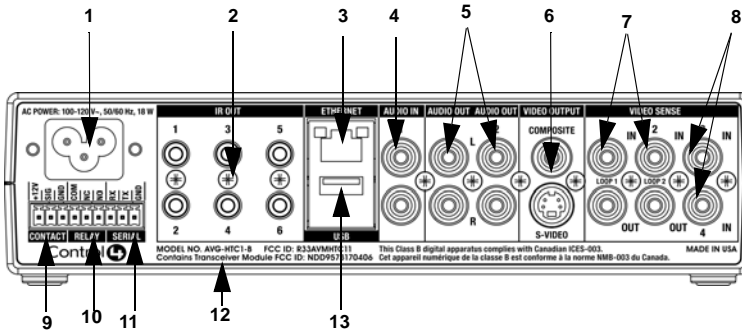
- ▶ Front View
- ▶ Back View
- ▶ Specifications

Front View



1. **IR window** — For capturing third-party IR codes from hand-held devices (such as remote controls).
2. **Data LED** — Red LED light indicates data is received.
3. **Link LED** — Red LED light indicates Home Theater Controller has been identified in a Control4 Composer project.
4. **Power LED** — Red LED light indicates AC power is present. This LED will turn on approximately 30 seconds after the power is applied to the device.
5. **Identification/Reset Button** — For identifying this device to the system during initial setup. Also, serves as the device reset button when pressed for 10 seconds or more.

Back View



1. **Power plug port** — IEC C6 AC power receptacle for an IEC C5 power cord.
2. **IR Out (6)** — 3.5 mm jacks for up to 6 IR output transmitters.
3. **Ethernet** — RJ-45 jack for a 10/100 BaseT Ethernet connection.
4. **Audio In (1 Left-Right pair)** — RCA jacks for stereo channel input (line level) for 1 stereo analog source.
5. **Audio Out (2 Left-Right pairs)** — RCA jacks for stereo channel line output (line level) for amplifiers or audio switches.
6. **Video Output** — Composite RCA jack or S-VIDEO mini-DIN jack for displaying navigation menus on a monitor or TV.
7. **Video Sense In-Out (2 pairs)** — Composite In-Out RCA jack pairs for monitoring up to 2 video **In** sources, such as DVD players or VCRs, that allow the system to determine the On/Off status of devices. Each **Out** port allows the signal to pass through the Home Theater Controller to provide a replacement port for the Video Out port connected to the Home Theater Controller.
8. **Video Sense In (2 singles)** — Composite In RCA jacks for monitoring up to 2 additional video **In** sources, such as DVD players or VCRs, that allow the system to determine the On/Off status of devices. These 2 ports do not have pass-through support.
9. **Contact (1 set)** — Screw-down pluggable terminal block connector for 1 dry contact closure, logic input connection, door contact sensor, or motion sensor.

10. **Relay (1 set)** — Screw-down pluggable terminal block connector for 1 normally closed or normally opened switchable connection, such as a blind, a fireplace, or a projector screen.
11. **Serial (1 set, RS-232)** — Screw-down pluggable terminal block connector for 1 serial device, such as a projector or DVD changer. This is a 2-wire serial interface. It does not support hardware flow control.
12. **WiFi antenna** — For communication to the wireless access point.
13. **USB (1 port)** — For external storage device with USB support (such as FAT32 formatted devices).

Specifications

Model Number

- ♦ AVM-HTC1-B

Media Recognition

- ♦ AMG online CD/DVD recognition and media information service

Audio Recording Formats

- ♦ MP3: 192kbps

Audio Playback Formats

- ♦ Uncompressed WAV and PCM: 44.1kHz, 16 bit stereo
- ♦ MP3: 32kbps to 320kbps, CBR and VBR

Display

- ♦ LED indicators

Power Requirements

- ♦ 100-120 VAC, 50/60 Hz, 18 W

Dimensions

- ♦ H x W x D: 2.23" x 8.65" x 8.38" (with feet and connectors)
- ♦ Weight: 1.7 pounds

Control4 Supported Devices

For a list of Control4 supported devices and solutions, see “Products” at <http://www.control4.com>.

Typical devices include:

Speaker Point™	Wireless Dimmer
Mini Touch Screen	Wireless Switch
Touch Screen – 10.5”	Wireless 2, 3, & 6 Button Keypads
Multi Channel Amplifier	Wireless Outlet Dimmer
Audio Matrix Switch	Wireless Outlet Switch
Wireless Thermostat	

CHAPTER 2 Install the System

This chapter explains how to install the Control4 home automation system and how to make hardware connections. The essential tasks include:

1. Plan the Equipment Layout
2. Connect to the Network
3. Power Up the Home Theater Controller
4. Connect Devices

Plan the Equipment Layout

When planning the equipment layout, follow these guidelines:

- ▶ Meet Home Network Requirements
- ▶ Plan the System Connections

Meet Home Network Requirements

Ensure that your home network is in place before starting your system setup. The Home Theater Controller requires an Ethernet or WiFi connection in order to use all features as designed. When connected, the Home Theater Controller can access Web-based media databases and can easily access Control4 system updates.


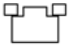

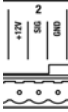
For special tips and guidelines for setting up a wired or wireless network to use to support Control4 products, see the Composer online help topic: “Guidelines for Setting up a Wired or Wireless Network.”


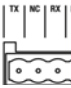




Plan the System Connections



When setting up the Home Theater Controller, you need to plan the physical connections. Then, at your preference you can use Interviewer (within Composer) to guide you through the set up of these connections, or you can set up the physical connections, and then run Interviewer to tell the system how things are physically connected.

Complete the worksheet that follows to plan the system connections. For more information, see the Composer online help topic “Set up and Design a System with Interviewer.”

Table 2-1. Connection Worksheet for Home Theater Controller

Connection Options and Typical Use	Reserved for:
<p>Power plug port—For C6 power connector. See “Power Up the Home Theater Controller” for more information.</p>	 <p>1. For C6 power connector.</p>
<p>Ethernet—RJ-45 for a 10/100 BaseT Ethernet connection. See “Connect to the Network” for more information.</p>	 <p>1.</p>
<p>Video Out Options—Composite or S-Video port for displaying navigation menus on a monitor or TV. When available, use S-Video instead of Composite for a higher quality display.</p>	 <p>1.</p>
<p>Contact (1 set)—Screw-down pluggable terminal block connector for 1 dry contact closure, logic input connection, door contact sensor, or motion sensor. See “Connect to the Contact Port” for more information.</p>	 <p>1.</p>

Connection Options and Typical Use	Reserved for:
<p>Relay (1 set)—Screw-down pluggable terminal block connector for 1 normally closed or normally opened switchable connection, such as a blind, a fireplace, or a projector screen. The set contains a connection for Common (COM) and Normally Closed (NC) or Normally Opened (NO). See “Connect to the Relay Port” for more information.</p>	 <p>1.</p>
<p>Serial (1 set)—Screw-down pluggable terminal block connector for 1 serial device, such as a projector or DVD changer. See “Connect the Serial Port” for more information.</p>	 <p>1.</p>
<p>IR Out (6)—3.5 mm jacks for up to 6 IR output transmitters. See “Set Up IR Emitters” for more information.</p>	 <p>1. 2. 3. 4. 5. 6.</p>
<p>USB (1 port)—For external storage device with USB support (such as FAT32 formatted devices). See “Set up and Use External Storage Device” for more information.</p>	 <p>1.</p>
<p>Audio In (1 Left-Right pair)—RCA jacks for stereo channel input (line level) for 1 stereo analog source.</p>	 <p>1.</p>
<p>Audio Out (2 Left-Right pairs)—RCA jacks for stereo channel line output (line level) for amplifiers or audio switches.</p>	 <p>2. 3.</p>

Connection Options and Typical Use	Reserved for:
<p>Video Sense In-Out (2 pairs)—Composite In-Out port pairs for monitoring up to 2 video In sources, such as DVD players or VCRs, that allow the system to determine the On/Off status of devices. Each Out port allows the signal to loop through the Home Theater Controller and continue to its intended video connection. See “Use Video Sense Loops” for more information.</p> 	<ol style="list-style-type: none"> 1. 2.
<p>Video Sense In (2 singles)—Composite In ports for monitoring up to 2 additional video In sources, such as DVD players or VCRs, that allow the system to determine the On/Off status of devices. These 2 ports do not have loop-through support. See “Use Video Sense Loops” for more information.</p> 	<ol style="list-style-type: none"> 3. 4.

Connect to the Network

If you are using an Ethernet connection for the Home Theater Controller, plug the data cable from the home network connection into the Home Theater Controller RJ-45 port (labeled “Ethernet”) and the network port on the wall or at the network switch.

Power Up the Home Theater Controller

Plug the Home Theater Controller power cord (provided) into the Home Theater Controller power plug port and an electrical outlet.

Connect Devices

You can use Interviewer within the Composer software on a PC to walk you through the connection physical process or you can set up the physical connections and then run Interviewer to tell the Control4 system the applicable connections.

Connect all applicable devices to the Home Theater Controller using one of the available connection methods including those described on Table 2-1, “Connection Worksheet for Home Theater Controller”.



TIP: Interviewer is a wizard that guides you through the connection process. See “Configure the System” for more information on configuring the software setup.

Connect all applicable devices to the Home Theater Controller. The following sections provide guidelines on making the various connections, including:

- ▶ Use the Pluggable Terminal Block Connector
- ▶ Connect to the Contact Port
- ▶ Connect to the Relay Port
- ▶ Connect the Serial Port
- ▶ Set Up IR Emitters
- ▶ Use Video Sense Loops

Use the Pluggable Terminal Block Connector

For the Contact, Relay, and Serial ports, the Home Theater Controller makes use of a pluggable terminal block connector—a removable plastic part with screws to lock in individual wires. This connector is included.

To connect a device to the Pluggable Terminal Block:

1. Insert one of the wires required for your device into the appropriate opening in the Pluggable Terminal Block you reserved for that device (refer to Table 2-1 on page 14).

For example, if you were adding a motion sensor, you would connect its wires to the following **Contact** openings: power input to **+12V** output signal to **SIG**, and ground connector to **GND**. See the sections that follow for instruction on connecting the various protocols.

2. Tighten the screw for that opening.
3. Repeat Steps 1-2 for all wires required for your device.



NOTE: When you connect dry contact closure devices, such as door switches, connect the switch between +12V (Power) and SIG (Signal).

Connect to the Contact Port

The Home Theater Controller provides one contact port as a subset of the pluggable terminal block provided. See the following figures to determine how to connect the device to a contact port.

Figure 2-1.

Connect Contact Port for Voltage Source (i.e. Motion Sensor)

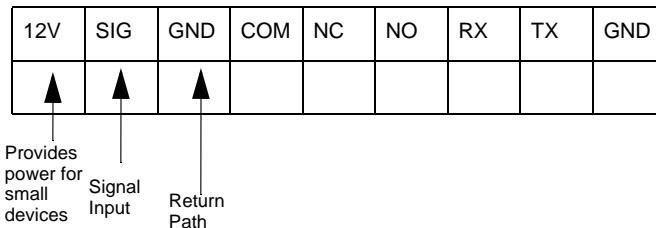


Figure 2-2. Connect Contact for Dry Contact (i.e. Door Contact Sensor).

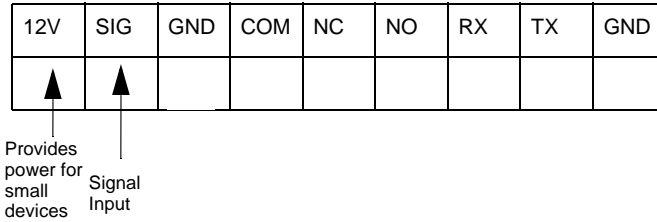
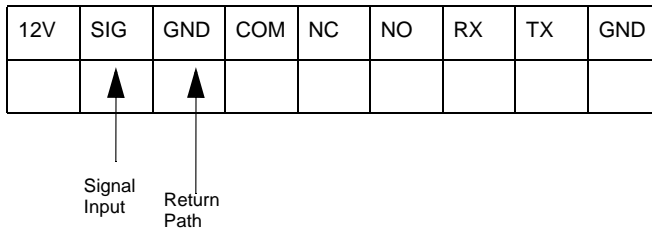


Figure 2-3. Connect Contact for Self Powered Voltage Source Device



Connect to the Relay Port

The Home Theater Controller provides one relay port as a subset of the pluggable terminal block provided.

For most applications, you attach one wire to the common terminal and the other to the normally open terminal.

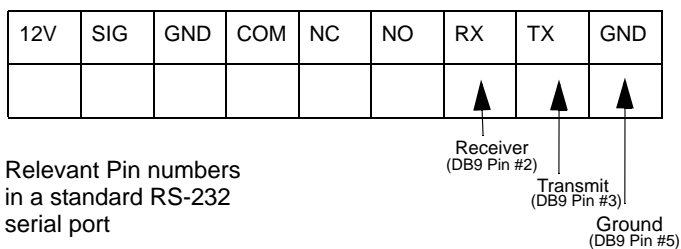
The relay switches closed when the relay is activated.

The Home Theater Controller can support applications that require a normally closed contact.

Connect the Serial Port

The Home Theater Controller provides one serial port as a subset of the pluggable terminal block provided. See the following figure to determine how to connect this port as an RS-232 serial port.

Figure 2-4.
Connect RS-232 Serial Port



TIP: If you are having trouble communicating with your device, make sure you have connected the Transmit and Receiver wires correctly. Ensure that the Transmit line of the Home Theater Controller is hooked to the Receiver line of the device, and that the Receiver line of the Home Theater Controller is hooked to the Transmit line. Also, ensure that Ground is hooked to the Ground.

Set Up IR Emitters

Your system may contain third-party products that are controlled with IR commands (usually through remote controls). To provide a way for the Home Theater Controller to control a device that only recognizes IR commands, complete the following setup.

1. Plug the 3.5 mm connector end of one of the 6 IR stick-on emitters provided into an IR Out port on the Home Theater Controller.
2. Place the stick-on emitter end over the IR receiver on the media player, TV, or other target device to transmit IR signals from the Home Theater Controller to the target.

Use Video Sense Loops

Video sensing can enhance the ability to sense the power state of a device, such as whether the device is “on” or “off.” If you need to add video signal sensing capabilities for a video device (such as a TV, VCR, DVD player, etc.), connect one of the device’s composite *Video Out* ports to a Home Theater Controller *Video Sense In* port. Then, use the companion *Video Sense Out* port (where available) for the device’s video out as needed.

For Video Sense only (no loop-through), connect a device’s *Composite Video Out port* to one of the two *Video Sense In ports*.

CHAPTER 3

Configure the System

The Composer interface and wizards are designed to help you simplify the process to fully design, set up, and program a Control4 home automation system.

This chapter provides an introduction for how you can configure a Control4 home automation system using the Composer software. The essential steps include:

1. Design and Setup the System
2. Set Up Media and Create Playlists
3. Program the Home Automation System

For more detailed instructions and information, refer to the Composer Media Edition online help.

Design and Setup the System

Within Composer, there are two options that allow you to design and set up Control4 home automation systems, including:

- ▶ Interviewer
- ▶ The Main Composer Interface



TIP: You can go back and forth between the Interviewer and Composer at any time during setup or at any time for maintenance of the system after the initial setup.

Interviewer



The Home Automation Interviewer (Interviewer) is a wizard that guides you through project configuration to set up the Control4 home automation system.

To launch Interviewer within Composer, from the **File** menu, click **Run Interview**.

If it is your first time setting up a Control4 system or you want to ensure you think of all the set up options, use the Interviewer.

As you answer questions while going through Interviewer, it configures a project. It takes you through successful completion of setting up a project covering required setup steps for adding devices and making connections.

Interviewer includes the following set up process:

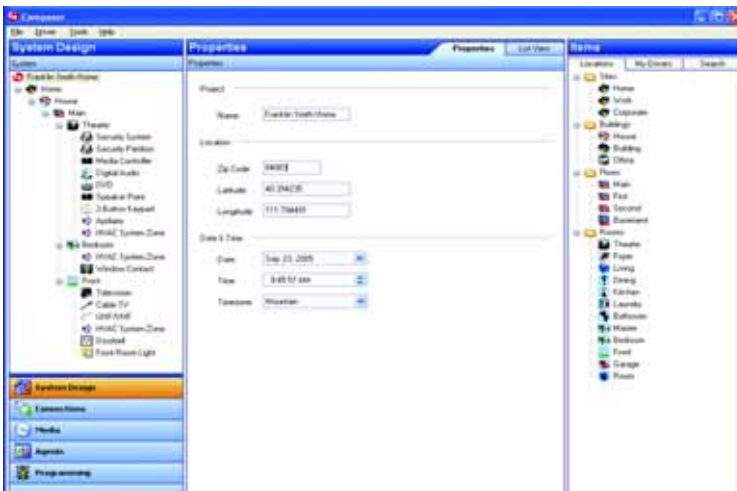
- ▶ *System Design* helps you define your project information and the types of devices on the system.
- ▶ *Rooms* helps you identify the rooms in your project and each device in a given room.
- ▶ *Network* helps you identify all the network connections. Network connections are devices that

connect to the controller hardware using a network address. These include devices like Control4 Dimmers, Switches, Keypads, Mini Touch Screens, System Remote Controls, and any other device that communicates ZigBee or TCP/IP.

- ▶ *Audio/Video* helps you define all the audio/video connections on the system. Audio/video connections include any device's inputs and outputs that carry audio and/or video signals.
- ▶ *Control* helps you define all the control connections on the system. Control connections include devices that use relay, contacts, IR, or serial for control.

Interviewer does not include media setup or programming of devices or agents. For more information and example implementations, see the Composer online help.

The Main Composer Interface



The main Composer interface allows you to set up and program a Control4 home automation system. Within Composer, you can add devices, make connections, set up media, and program using devices and agents.

Setting up with Composer, you have the flexibility to follow any set up path you desire. When you become familiar with the Control4 home automation system, this is the quickest method for setting up a system. When designing, setting up, and making connections for a project, you will use the following Composer views:

- ▶ **System Design View** — Allows you to build the Project Tree and identify the devices on the system.
- ▶ **Connection View** — Allows you to identify all connections (Room, Control, AV, Network).

For more information and example implementations, see the Composer online help.

Configure a Wireless Network (WiFi)

To set up the wireless or WiFi configuration, you need to install a Wireless Access Point and use the Network Configuration Wizard within the Composer software. For special tips and guidelines for setting up a wireless network to use to support Control4 products, see the Composer online help topic: “Guidelines for Setting up a Wired and Wireless Network.”

Set Up Media and Create Playlists

To use the supported Media Management features, you need to have access to the media from either an external storage device or other stored or broadcast media available from other devices—such as a PC, disc changer, tuner, or network. To set up an external storage device, see the online help topic: “Use External Storage Devices.”

To set up Media or create playlists on the system, you can use Composer Media Edition or the Media view within the Composer Professional Edition. For more information, see the online help topic: “Set up Media and Create Playlists.”

You can also create custom playlists from the navigation devices, such as On-screen Navigator (display monitor), Mini Touch Screen, and Wireless Touch Screen. For more information, see the documentation provided with your navigation device.

Program the Home Automation System

The programming of the system includes programming interactions between events on the system and actions of other devices. You can program the behavior of devices, such as when the projector is turned on, the motorized screen comes down or when the door is opened, the lights turn on.

To do programming on the system, using the Composer Professional Edition, you drag and drop events and actions for corresponding devices on to a programming script.

For more information, see the Composer online help.

4 Use Home Theater Controller

This chapter introduces the user interfaces that are available to Home Theater Controller users and the common system tasks you can perform with the Home Theater Controller.

It contains the following information:

- ▶ Control Devices and Use the System
- ▶ Set up and Use External Storage Device
- ▶ Front Panel

Control Devices and Use the System

Once the Home Theater Controller is set up, any navigation device associated with it (such as a Mini Touch Screen or a System Remote Control) is dynamically maintained. Any change made to the system is automatically reflected on all navigation devices. These options include room-specific menus and controls.

The following user interfaces are included with the Home Theater Controller:

- ▶ On-Screen Navigator
- ▶ System Remote Control with LCD

Additional user interfaces ship with navigation devices that are sold separately and are described in the documentation that ships with the Control4 device.


Front Panel



The front panel on the Home Theater Controller enables you to see the status or set up the system, including:

- ▶ **IR Window** — Allows you to capture IR codes to create device drivers for IR-controlled devices using the Driver Wizard within Composer.
- ▶ **Data LED (far left LED)** — Indicates that data is being received.
- ▶ **Link LED (center LED)** — Indicates that the Home Theater Controller's network address is identified within a Control4 Project.
- ▶ **Power LED (far right LED)** — Indicates that the Home Theater Controller is receiving power. This LED will turn on approximately 30 seconds after the power is applied to the device.
- ▶ **Button** — Enables the Home Theater Controller to be identified by its network address on the network. You can also press the button for 10 seconds to reset the device.

On-Screen Navigator

The Home Theater Controller provides an on-screen menu system called Control4 On-Screen Navigator. Once a Control4 system is configured and the Home Theater Controller is connected to a monitor or TV, you can press the  button on the Remote Control to access the *On-Screen Navigator* home screen.



The On-Screen Navigator Home screen displays the current location and provides access to other locations and all subsystems.

- ▶ **Location** (upper-left of screen): Displays current room name that provides access to all available rooms in the system when you click on it.
- ▶ **Radio**: Allows you to browse all radio stations available or just favorite stations and play an AM, FM, XM, Sirius, Satellite or Cable DMX, and radio broadcast.
- ▶ **Music**: Allows you to browse all stored music and filter the collection by artist, genre, or alphabetically. Also, provides on-screen controls for the **Digital Audio Player**—the built-in device that plays the digital audio files stored in the Home Theater Controller.
- ▶ **TV**: Allows you to browse all broadcast channels (UHF/VHF, cable or satellite), then choose a channel.

- ▶ **Videos:** Allows you to view all available videos (or stored movies) and to control DVD players, VCRs, or DVRs.
- ▶ **Comfort:** Allows you to control all comfort-related devices, such as fans, curtains, blinds, or fireplaces.
- ▶ **Lights:** Provides controls for all lighting devices and lighting scenes that are available in the current room.
- ▶ **House:** Provides controls for security and communication-related features. Currently displays status information on contact switches (such as those found on doors, windows, motion sensors, cameras, and sprinklers).
- ▶ **Info:** Displays information such as: network status, screen savers, and other options.

For detailed information about using On-Screen Navigator, refer to the *On-Screen Navigator User Guide*.

System Remote Control with LCD

The Control4 System Remote Control that ships with this product includes an LCD for system information and feedback, in addition to a variety of buttons for accessing and controlling system components and media. The information that displays on the remote control LCD depends on the action you choose with the remote control buttons and/or with another system navigation device.



For detailed information on the remote control, refer to the *System Remote Control User Guide*.

Set up and Use External Storage Device

When using the Home Theater Controller as the primary controller in the home, from the USB port (on the back), you can store and access media from an external storage device, such as a network hard drive or USB memory device.

For more information, see the Composer online help topic: “Use External Storage Devices.”

Change On-screen Navigator Themes



NOTE: The instructions in this manual are based on the default theme, Radiant Blue. When you apply a different theme, your process steps will deviate from the ones documented in this manual. We recommend using the manual to become familiar with the default user interface before changing themes.

1. On the *Info* option bar, choose Themes. The *Themes* screen is displayed, including a list of theme options. The default theme is Radiant Blue.



2. Choose a theme, then choose **Load Theme**. The screen will soon refresh with the theme you chose to load.

CHAPTER 5 Warranty and Regulatory Compliance Information

This chapter provides the following information:

- ▶ Warranty
- ▶ Regulatory Compliance

Warranty

This section provides the following information:

- ▶ Limited Hardware Warranty
- ▶ Hardware Warranty Terms
- ▶ Software Agreement



Important: Warranty terms may be different with the country of purchase; contact your Authorized Control4 Sales and Service office for detailed product warranty information.

Limited Hardware Warranty

Control4 warrants its Home Theater Controller product to be free from defects in material and workmanship during the warranty period. If the Home Theater Controller proves to be defective in material or workmanship during the warranty period, Control4 will, at its sole option, repair or replace the product with a like product. The warranty extends only to products purchased directly from Control4 Corporation or an Authorized Control4 Dealer.

Life of Warranty

Control4 Home Theater Controller are warranted for one (1) year from the date of the first consumer purchase.

What the warranty does not cover

- ▶ Misuses; unauthorized modification; opening for any reason except to perform an official upgrade using a proper tools/kit
- ▶ Operation or storage outside the environmental specifications for the product
- ▶ In-transit damage and improper maintenance
- ▶ Physical damage to the unit, such as a cracked or broken screen or defect resulting from use of improper software, accessories, media, supplies, consumables, or such items not designed for use with the product.

Hardware Warranty Terms

READ THESE WARRANTY TERMS CAREFULLY BEFORE INSTALLING OR USING THE CONTROL4 SYSTEM OR COMPONENTS. YOUR INSTALLATION AND USE OF THE SYSTEM OR ANY OF ITS COMPONENTS INDICATES THAT YOU AGREE TO BE BOUND BY THESE TERMS. IF YOU DO NOT AGREE TO ALL OF THE TERMS OF THIS WARRANTY, RETURN THE PRODUCT TO THE PLACE OF PURCHASE FOR A FULL REFUND.

ONE-YEAR LIMITED WARRANTY

1. WARRANTY

Control4, Corporation (“Control4”) warrants that at the time of sale the Home Theater Controller (the “product”) will be free from defects in material and manufacture and will conform to Control4’s specifications for the components. Control4 further warrants that for a period of 12 months after sale the product will function in accordance with its specification, PROVIDED THAT it is installed and maintained in accordance with Control4’s instructions and is not subjected to (a) alteration or unauthorized repairs, (b) misuse or abuse, (c) Acts of God (including without limitation hurricanes, tornadoes, floods, earthquakes, or other severe weather or natural phenomena), or (d) improper storage or handling or other treatment or installations for which it was not intended. This warranty extends only to products purchased directly from Control4 or an Authorized Control4 Dealer.

2. DISCLAIMER OF OTHER WARRANTIES

The preceding warranties are the exclusive and sole express warranties given by CONTROL4. They supersede any prior, contrary or additional representations, whether oral or written. CONTROL4 HEREBY DISCLAIMS AND EXCLUDES ALL OTHER WARRANTIES- WHETHER EXPRESS, IMPLIED, OR STATUTORY-INCLUDING ANY ARISING FROM COURSE OF DEALING OR USAGE OF TRADE, ANY WARRANTY OF MERCHANTABILITY AND ANY WARRANTY OF FITNESS FOR A PARTICULAR PURPOSE, except that for product purchased directly by a consumer, any implied warranties are limited in duration to the term of the express warranties provided above.

Some states do not allow limitations on how long an implied warranty lasts, so the above limitation may not apply to you.

3. EXCLUSIVE REMEDY FOR ANY NONCONFORMITIES

If during the applicable Warranty Period, the product does not conform to the preceding Warranties, the Owner shall notify Control4 as provided below, and within a reasonable time Control4 will provide, at its option, one of the following: (1) a replacement product for any nonconforming or defective component (such replacement product may be new or refurbished to be comparable in function and performance to a new product) or (2) the price at which Control4 sold the non-conforming product. In the event of repair or replacement, there may be a loss of data in the memory of the product for which warranty service is sought. Control4 will not provide, and will not be liable for, labor, costs of removal or reinstallation of product, disposal, freight, taxes, or other incidental charges.

THESE REMEDIES ARE THE EXCLUSIVE AND SOLE REMEDIES FOR ANY BREACH OF WARRANTY.

For any breach of warranty, the Owner must notify Control4 in Section 7 below within thirty (30) days after discovering the nonconformity. The notice must describe the location and nature of the nonconformity. The owner must give Control4 a reasonable opportunity to the claimed nonconformity before undertaking any repairs, removal or replacement. All products returned to Control4 require a Return Merchandise Authorization (RMA) number. The RMA number is obtained from Control4 Customer Support Department. The RMA number must be clearly marked on the outside of each box. The RMA

is valid for a 30-day period. After the 30-day period, the RMA will be cancelled. Any shipments received not consistent with the RMA or after the RMA is cancelled, will be refused. Control4 is not responsible for products returned without a valid RMA number. Compliance with the requirements of this paragraph is a condition to coverage under the Warranty: If these requirements are not complied with, Control4 will have no obligation to provide any remedy for any breach of warranty.

4. DISCLAIMER OF INCIDENTAL AND CONSEQUENTIAL DAMAGES

IN NO EVENT SHALL CONTROL4 BE LIABLE FOR ANY INCIDENTAL, SPECIAL, INDIRECT OR CONSEQUENTIAL DAMAGES, WHETHER RESULTING FROM NONDELIVERY OR FROM THE USE, MISUSE OR INABILITY TO USE THE PRODUCT OR FROM DEFECTS IN THE PRODUCT OR FROM CONTROL4'S OWN NEGLIGENCE. This exclusion applies even if the remedy provided by Control4 fails of its essential purpose.

Some states do not allow the exclusion or limitation of incidental or consequential damages, so the above limitation may not apply to you.

5. APPLICABLE LAW

This Warranty will be interpreted, construed, and enforced in all respects in accordance with the laws of the State of Utah, without reference to its choice of law rules. The U.N. Convention on Contracts for the International Sale of Goods will not apply to this Warranty.

6. SEVERABILITY

If any provision of this warranty is found to be invalid or unenforceable, then the remainder shall have full force and effect, and the invalid provision shall be partially enforced to the maximum extent permitted by law to effectuate the purpose of the agreement.

7. ADDRESS FOR NOTICES TO CONTROL4

Control4 Corporation
11734 Election Road
Salt Lake City, UT 84020
<http://www.control4.com/>

This warranty gives you specific legal rights and you may also have other rights which vary from State to State.

Software Agreement

The Control4 Home Theater Controller contains pre-installed software. Please read the Control4 terms outlined in this section before proceeding.



NOTE: Carefully read this License Agreement and the Limited Warranty statement before operating the equipment. The rights to the software are licensed, not sold. Control4 or its licensors continue to own all intellectual property rights to the software, and you will be granted certain rights to use the software upon your acceptance of this license. Rights in the software are offered only on the condition that you agree to all terms and conditions of the License Agreement. Operating the equipment indicates your acceptance of these terms and conditions. If you do not agree to the terms and conditions of the License Agreement, return the complete package for a full refund now.

Terms that Govern Software Use

You may only use the software as designed on the device on which it comes pre-installed. You may not reverse, assemble, or decompile the software.

Limited Software Warranty, Liability, and Remedy



Important: This Control4 Software Limited Warranty shall cover all software that is provided to you, the customer, as part of the Control4 product, including any operation system software.

The Remedies provided in this document are your sole and exclusive remedies. In no event shall Control4 be liable for any direct, indirect, special, incidental, or consequential damages (including lost profit), whether based on warranty, contract, tort, or any other legal theory.

In no case shall Control4's liability exceed the purchase price for the software and/or product. The limitations set forth above will apply regardless of whether you accept the software.

Regulatory Compliance

This product complies with standards established by the following regulatory bodies:

Federal Communications Commission (FCC)
Industry Canada Statement
Underwriters Laboratories Inc. (UL)



IMPORTANT! Any changes or modifications not expressly approved by the party responsible for compliance could void the user's authority to operate this equipment.

Federal Communications Commission (FCC)

FCC ID: R33AVMHTC11

WiFi Version:

Contains Transceiver Module FCC ID: NDD9573170406

This device complies with Part 15 of the FCC Rules. Operation is subject to the following two conditions: (1) This device may not cause harmful interference, and (2) this device must accept any interference received, including interference that may cause undesired operation.

This equipment has been tested and found to comply with the limits for a Class B digital device, pursuant to Part 15 of the FCC Rules. These limits are designed to provide reasonable protection against harmful interference in a residential installation. This equipment generates, uses, and can radiate radio frequency energy and, if not installed and used in accordance with the instructions, may cause harmful interference to radio communications. However, there is no guarantee that interference will not occur in a particular installation. If this equipment does cause harmful interference to radio or television reception, which can be determined by turning the equipment off and on, the user is encouraged to try to correct the interference by one of the following measures:

- ▶ Reorient or relocate the receiving antenna.
- ▶ Increase the separation between the equipment and receiver.

- ▶ Connect the equipment into an outlet on a circuit different from that to which the receiver is connected.
- ▶ Consult the dealer or an experienced radio/TV technician for help.

Industry Canada Statement

This Class B digital apparatus complies with Canada ICES-003.

Cet appareil numérique de la classe B est conforme à la norme NMB-003 du Canada.

Underwriters Laboratories Inc. (UL)

This product has been tested by UL and has been found to be in compliance with:

UL 60065:2003: Standard for Audio, Video and Similar Electronic Apparatus — Safety Requirements

CAN/CSA-C22.2 No. 60065-03, First Edition



