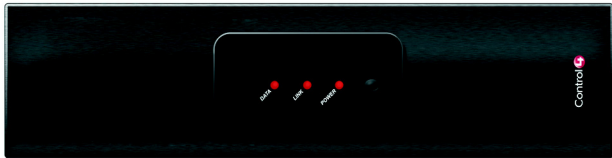




Speaker Point Installation Guide



Supported Models

This installation and user guide covers this Speaker Point model(s):

AVE-RAA1-B Ethernet Speaker Point

General Description

The Speaker Point is intended for Control4 system users who want to add new audio zones to their home using an easy and cost effective method. Users can locate the Speaker Point in remote locations to enable audio zones beyond the area near the audio rack.

It is an end point of digital audio distribution and can be used to amplify and distribute an audio source to bookshelf speakers in remote locations throughout the home. It receives a digital audio signal from a source via Ethernet, Wi-Fi or line in and distributes that audio directly through a pair of connected speakers. The Speaker Point transmits the source information and is controlled via an Ethernet connection or its built-in Zigbee wireless connection.

The Speaker Point is designed with a compact profile and small footprint so that it can be located discreetly throughout the home (such as on a bookshelf, an overhead plant shelf, or even in attic space). It is a small box (less than 1/2 rack size, approximate dimensions are 1.5" Tall x 6.5" Wide x 6.5" deep). Its unique design allows it to be stored horizontally or vertically (with the special bracket included). If a user chooses to place a Speaker Point in his standard EIA rack of components, then the rack shelf must be set at one rack unit high to hold the unit.

The Speaker Point has one stereo speaker pair output and one analog output for external power amps. The on-board digital 50 watt per channel amplifier powers local bookshelf or in-wall speakers. The user has the ability to adjust bass, treble, loudness, balance and mute from local controls.

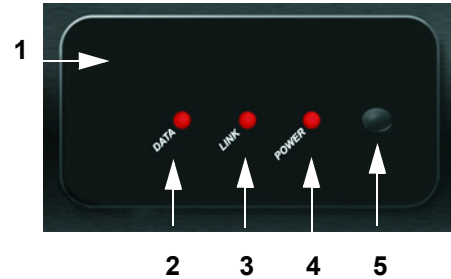
WARNING! To reduce the risk of serious injury or death, turn all power OFF before installing this product.

WARNING! This product generates heat. The device must be operated within specified operating temperature limits.

CAUTION! Using this product in a manner other than outlined in this document voids your warranty. Further, Control4 is NOT liable for any damage incurred with the misuse of this product. See "Limited 1 Year Warranty."

About the Hardware

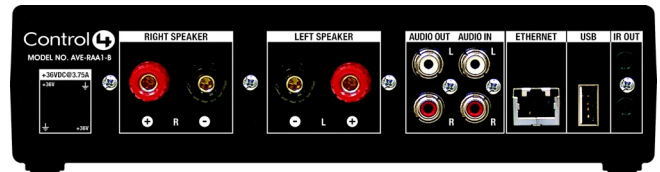
Front Panel







1. IR reader (behind the window)
2. Data LED to indicate music is currently streaming in or out.
3. Link LED to indicate a network connection is present.
4. Power LED to indicate when power is present.
5. Identification and Reset button: To identify this device during setup and will reset this device when pressed for longer than 10 seconds.

Back Panel

(Placeholder Graphic)



Label or Description	Connector Type
+36VDC@3.75A	AC In power pPlug Port
Right Speaker	 Five Way Binding Post (+Red/-Black)
Left Speaker	 Five Way Binding Post (+Red/-Black)
AudioOut	RCA (Pre-Amp) 
Audio In	RCA 
Ethernet	RJ-45 port
USB	USB Wi-Fi 802.11g port (Disabled in this model)
IR Out	For 1 IR out emitter

Included Accessories

- Power cable and adapter with power plug
- Vertical Mount Bracket
- *Speaker Point Installation Guide* (this document)

Installation Instructions

1. Ensure that the location and intended use meet the following criteria:
 - Install in accordance with all national and local electrical codes.
 - The range and performance of the control system is highly dependent on the following:
 - Distance between devices
 - Layout of the home
 - Walls separating devices
 - Electrical equipment located near devices
2. (Optional) Connect an audio source to the Audio In port. The **maximum input voltage is 1V RMS**.
3. Connect a left and right speaker to the Left and Right Speaker ports. This must be a **minimum of 50 watts RMS power each** to avoid damaging the speakers.
4. (Optional) Connect the inputs of an externally powered amplifier to the pre-amp Audio Out port on the back of the device.
5. Plug the Speaker Point's power cord into a standard 110 or 220 volt AC outlet to power up the speaker point.
6. Check the Speaker Point status using its LEDs.

LED Label	State
Data	On = Music is streaming to or from this device
Link	On = Network connection established
Power	On = Power is Present. This LED will turn on approximately 30 seconds after the power is applied to the device.

7. Configure this device as a new audio zone:
Trained installers must use Control4 Composer Pro software to install and configure the Speaker Point on the existing network. When Composer is ready to recognize this device, press the small button on the front panel.

User Interface

Once the new music zone has been configured, you can control it through the system navigation interfaces (such as keypads, touch screens, On-Screen Navigator, or the System Remote Control). You can choose to play music to the new zone at will. Because the Speaker Point is being controlled by a centralized controller, you do not need to be in the same room as the music. You can control the music zone wherever you are using any of the interfaces.

Regulatory Compliance

This product complies with standards established by the following regulatory bodies:

- Federal Communications Commission (FCC)
- Industry Canada

FCC

FCC ID: (Not yet approved): This device complies with Part 15 of the FCC Rules. Operation is subject to the following two conditions: (1) this device may not cause harmful interference, and (2) this device must accept any interference received, including interference that may cause undesired operation.

This equipment has been tested and found to comply with the limits for a Class B digital device, pursuant to Part 15 of the FCC Rules. These limits are designed to provide reasonable protection against harmful interference in a residential installation. This equipment generates, uses, and can radiate radio frequency energy and, if not installed and used in accordance with the instructions, may cause harmful interference to radio communications. However, there is no guarantee that interference will not occur in a particular installation. If this equipment does cause harmful interference to radio or television reception, which can be determined by turning the equipment off and on, the user is encouraged to try to correct the interference by one or more of the following measures:

- Reorient or relocate the receiving antenna.
- Increase the separation between the equipment and receiver.
- Connect the equipment into an outlet on a circuit different from that to which the receiver is connected.
- Consult the dealer or an experienced radio/TV technician for help.



CAUTION! Changes or modifications not expressly approved by Control4 could void the user's authority to operate the equipment.

Industry Canada Statement

This Class B digital apparatus complies with Canada ICES-003.

Cet appareil numérique de la classe B est conforme à la norme NMB-003 du Canada.

Limited 1 Year Warranty

This device has a limited one (1) year warranty on parts from the date of purchase. Control4 will replace or repair any defective unit. Return unit to the place of purchase for replacement. For any damages incurred, the warranty will never exceed the purchase price of the device. This warranty does not cover installation, removal, or reinstallation cost. The warranty is not valid in cases where damage was incurred due to misuse, abuse, incorrect repair, or improper wiring or installation. It does not cover incidental or consequential damage. This warranty gives you specific legal rights, and you might also be entitled to other rights that vary from state to state. Some states do not allow limitations on how long an implied warranty lasts or the exclusion or limitation of incidental or consequential damages. In these cases, the above mentioned limitations might not apply to you. For complete warranty information, see www.control4.com. To automatically receive notification of upgrades, return the enclosed registration card or register online at www.control4.com.

About this Document

United States Patents Pending. Copyright © 2004-2005 Control4 Corporation. Control4 and the Control4 logo are registered trademarks of Control4 Corporation. All trademarks are properties of their respective owners.

Part Number: 21-0210 Rev A Draft 6