



Switch Installation Guide

Supported Model

- C4-SW120277 Switch

Introduction

The Control4® Switch operates independently or as part of a Control4 home automation system. It installs in a standard back box using typical wiring standards and communicates to the Control4 system using a wireless connection.

Box Contents

- Switch
- Wire Nuts
- Warranty Card
- Switch Installation Guide (this document)

Specifications and Supported Load Types

The specifications are described below.

Model Number	C4-SW120277-xx
Power Requirements	110-277VAC +/-10%, 50/60Hz This device requires a neutral connection. See the "Sample Wiring Configurations" later in this guide.
Power Consumption	120V: 400mW 277V: 1150mW
Load Types and Ratings	
Supported Load Types	Incandescent, Halogen, Electronic (Solid State) Low Voltage (ELV) transformers, Magnetic (Iron Core, Inductive) Low Voltage (MLV) transformers, Fluorescents, Compact Fluorescents, LEDs, Motors
Maximum Load	120V: 15A, 1/2HP 277V: 8A, 1/2HP
Environmental	
Operational Temperature	32° F - 104° F (0° C - 40° C)
Humidity	5% to 95% non-condensing
Storage	-4° F - 158° F (-20° C - 70° C)
Miscellaneous	
Control Communications	ZigBee, IEEE 802.15.4, 2.4 GHz, 15-channel spread spectrum radio
Wallbox Volume	5.75 cubic inches
Weight	0.12 lb (0.05 kg)
Shipping Weight	0.18 lb (0.08 kg)

Warnings and Considerations

WARNING! Turn OFF electrical power before installing or servicing this product. Improper use or installation can cause SERIOUS INJURY, DEATH or LOSS/DAMAGE OF PROPERTY.
ATTENTION! Coupez l'alimentation électrique avant d'installer ou de réparer ce produit. Une mauvaise installation ou utilisation peut entraîner des blessures graves, décès ou perte / dommages à la propriété.

WARNING! This device must be protected by a circuit breaker (20A max).
ATTENTION! Cet appareil doit être protégé par un disjoncteur (20A max.)

WARNING! Ground this device in accordance with the National Electric Code (NEC) requirements. DO NOT rely solely upon the yoke plate's contact with a metal back box for adequate grounding. Use the device's ground wire to make a secure connection to the safety ground of the electrical system.

ATTENTION! Cet appareil doit être en conformité avec le Code national de l'électricité (NEC). Ne comptez pas uniquement au contact de la plaque avant avec un boîtier mural métallique pour la mise à la terre adéquate. Utilisez cet appareil à la terre de l'appareil pour établir une connexion sécurisée au système électrique.

IMPORTANT! This device must be installed by a licensed electrician in accordance with all national and local electrical codes.

IMPORTANT! If you are unsure about any part of these instructions, consult a qualified electrician.

IMPORTANT! Use this device only with copper or copper-clad wire. Do not use aluminum wiring. This product has not been approved for use with aluminum wiring.

IMPORTANT! Using this product in a manner other than outlined in this document voids your warranty. Further, Control4 is NOT liable for any damage incurred with the misuse of this product. See "Troubleshooting."

IMPORTANT! Do NOT use a power screwdriver to install this device. If you do, you may overtighten the screws and strip them. Also, overtightening the screws may interfere with proper button operation.

IMPORTANT! This is an electronic device with intricate components. Handle and install with care!

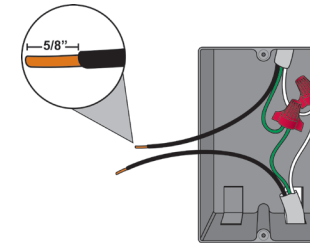
Installation Instructions

- Ensure that the location and intended use meet the following criteria:
 - Do not exceed the load capacity requirements of the switch. Refer to the load ratings in the specifications above for details.
 - Install in accordance with all national and local electrical codes.
 - The range and performance of the wireless control system is highly dependent on the following: (1) distance between devices; (2) layout of the home; (3) walls separating devices; and (4) electrical equipment located near devices.
- Turn off the local electrical power by either switching off the circuit breaker or removing the fuse from the fuse box. To ensure the wires do NOT have power running to them, use an inductive voltage detector.

NOTE: The back box wiring shown in this document is an example. Your wire colors and functions may differ. If you are not sure which wires are the Hot, Neutral, Load, Traveler, and Ground wires, have a trained electrician perform the installation.

- Prepare each wire. Wire insulation should be stripped back 5/8 of an inch from the wire end (see Figure 1).

Figure 1. Strip Wire Insulation



- Identify your wiring application, and then see the appropriate wiring diagram in the "Sample Wiring Configurations" section below.

IMPORTANT! Not grounding this product, as described in the section "Warnings and Considerations," may result in an installation less immune to damage caused by electrical disturbances, such as ESD or lightning, and may void the warranty.

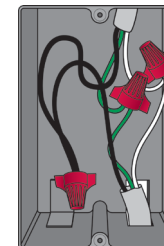
- Identify and connect the switch wires to the back box wires using the wire nuts.

IMPORTANT! The yellow wire is not a traditional traveler. It cannot directly power a lighting load. It must be used only to connect to a Control4 Auxiliary Keypad. See "Sample Wiring Configurations."

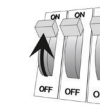
TIP: If you are using a Control4 push-on (screwless) faceplate in a multi-gang installation, attach the black faceplate sub-plate to all of the devices that will be installed into the wallbox prior to attaching the devices to the wallbox. This will help ensure that all the devices are properly aligned and on the same plane after installation.

- Fit the wires back into the back box. Bend the wires in a zigzag pattern so that they easily fold into the back box (Figure 2).

Figure 2. Bend the Wires



- Align the switch to the back box (the load rating label should be at the bottom) and fasten it with screws. Tighten the screws until the back side of the yoke plate is even with the wall surface, but no further. Overtightening can warp the dimmer and cause mechanical malfunction.
- Install the Control4 Faceplate following the instructions in the *Faceplate Installation Guide* or attach a standard Decora-style faceplate.
- Turn ON power at the circuit breaker or replace the fuse from the fuse box.



Operation and Configuration

On initial power up, all status LEDs on the switch will illuminate green indicating that the device has power. To set up this switch for use with a Control4 system, refer to the *Composer Pro User Guide*.

To operate this switch as a stand-alone device:

- Click the **top button** to turn the light on.
- Click the **bottom button** to turn the light off.

Button Tap Sequences

The button tap sequences are defined in the table below. Button tap sequences that require a single (1) button should use the top button.

Function Sequence	Button
Identify	4
ZigBee Channel	7
Reboot	15
Factory Reset	9-4-9
Leave Mesh and Reset	13-4-13

Troubleshooting

If the light does not turn on:

- Ensure at least one LED on the face of the switch is lit.
- Ensure the light bulb is not burned out and is screwed in tightly.
- Ensure that the circuit breaker is not turned OFF or tripped.
- Check for proper wiring (see "Sample Wiring Configurations").
- For help on the installation or operation of this product, email or call the Control4 Technical Support Center. Please provide your exact model number. Contact support@control4.com or see the web site www.control4.com.

Care and Cleaning

- Do NOT paint the switch or its wall plate.
- Do NOT use any chemical cleaners to clean the switch.
- Clean surface of the switch with a soft damp cloth as needed.

Regulatory/Safety Information

To review Regulatory information for your particular Control4 products, see the information located on the Control4 website at: <http://www.control4.com/regulatory/>.

Patent Information

Applicable patents are available at <http://www.control4.com/legal/patents>.

Warranty

For complete warranty information, including details on consumer legal rights as well as warranty exclusions, review the Warranty card or visit www.control4.com/warranty.

About this Document

Part Number: 200-00310, Rev A 2/25/2013

Sample Wiring Configurations

Figure 3. Single Device Location

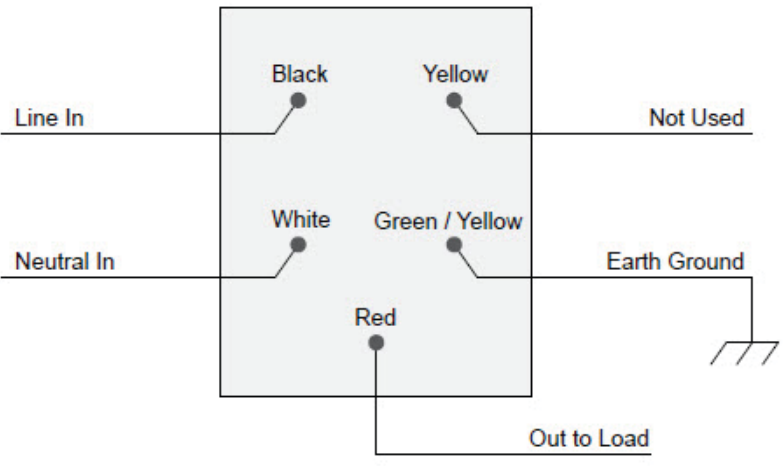


Figure 4. Multiple Device Location Using Auxiliary Keypad

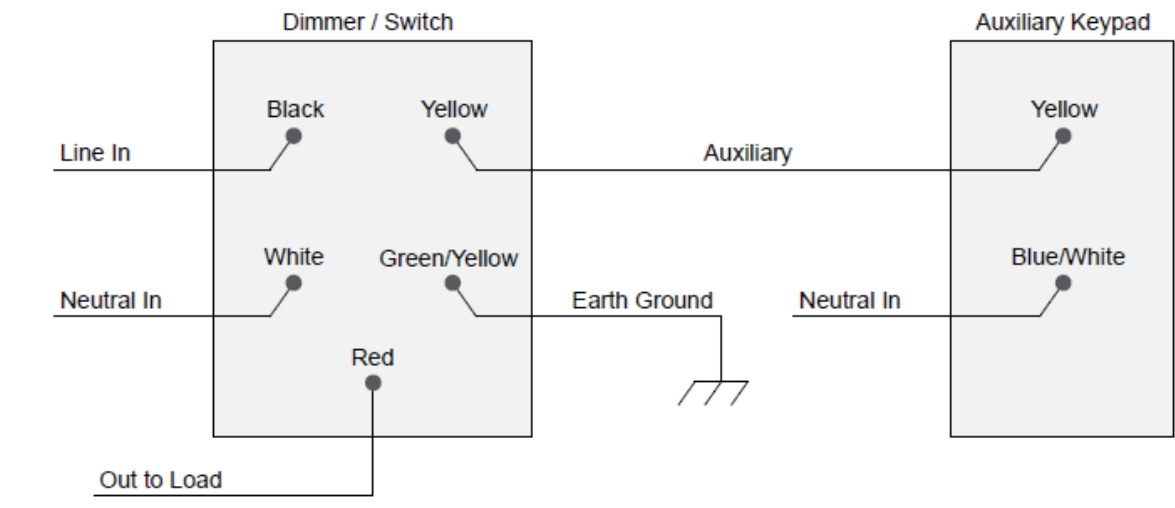
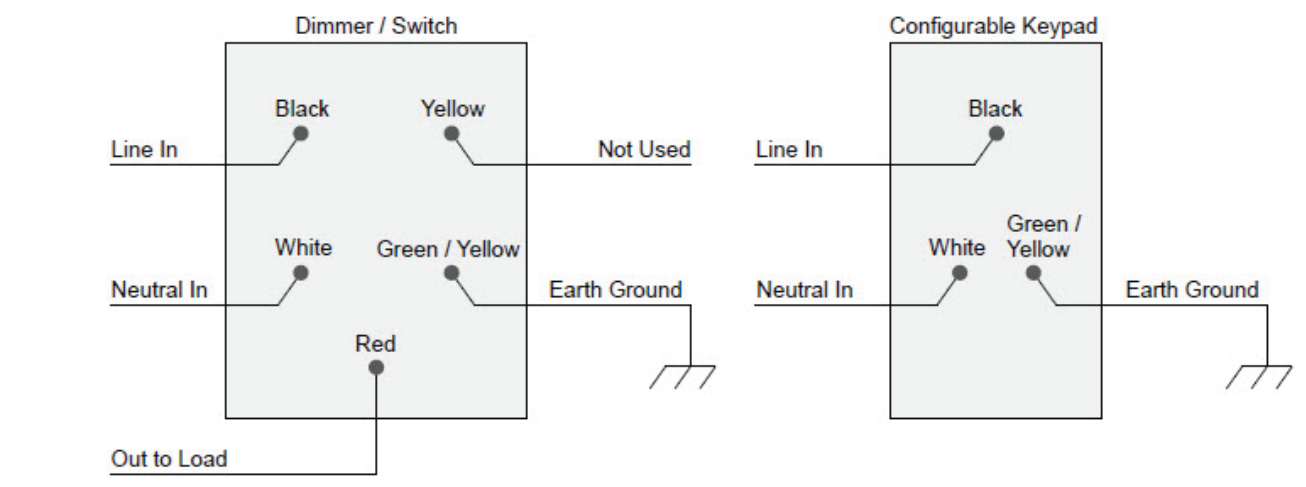


Figure 5. Multiple Device Location Using Configurable Keypad





0-10V Dimmer Installation Guide

Supported Model

- C4-TV120277 0-10V Dimmer

Introduction

The Control4® 0-10V Dimmer operates independently or as part of a Control4 home automation system. It installs in a standard back box using typical wiring standards and communicates to the Control4 system using a wireless connection.

Box Contents

- 0-10V Dimmer
- Wire Nuts
- Warranty Card
- 0-10V Dimmer Installation Guide (this document)

Specifications and Supported Load Types

The specifications are described below.

Model Number	C4-TV120277-xx
Power Requirements	110-277VAC +/-10%, 50/60Hz This device requires a neutral AC connection. See "Sample Wiring Configurations" later in this guide.
Power Consumption	120V: 485 mW 277V: 1.18 W
Load Types and Ratings	
Supported Load Types	Four-wire 0-10V and 1-10V dimmable fluorescent ballasts and LEDs, sink or source.
Maximum Load (Switched Hot)	120V: 15A 277V: 8A
Maximum Load (0-10V Control)	100mA sink or source
Environmental	
Operational Temperature	32° F - 104° F (0° C - 40° C) All load ratings are based on an ambient temperature of 25° C
Humidity	5% to 95% non-condensing
Storage	-4° F - 158° F (-20° C - 70° C)
Miscellaneous	
Control Communications	ZigBee, IEEE 802.15.4, 2.4 GHz, 15-channel spread spectrum radio
Wallbox Volume	5.75 cubic inches
Weight	0.12 lb. (0.05 kg)
Shipping Weight	0.18 lb. (0.08 kg)

Warnings and Considerations

WARNING! Turn OFF electrical power before installing or servicing this product. Improper use or installation can cause SERIOUS INJURY, DEATH or LOSS/DAMAGE OF PROPERTY.
ATTENTION! ATTENTION! Coupez l'alimentation électrique avant d'installer ou de réparer ce produit. Une mauvaise installation ou utilisation peut entraîner des blessures graves, décès ou perte / dommages à la propriété.

WARNING! This device must be protected by a circuit breaker (20A max).
ATTENTION! Cet appareil doit être protégé par un disjoncteur (20A max.)

WARNING! Ground this device in accordance with the National Electric Code (NEC) requirements. DO NOT rely solely upon the yoke plate's contact with a metal wallbox for adequate grounding. Use the device's ground wire to make a secure connection to the safety ground of the electrical system.

ATTENTION! Cet appareil doit être en conformité avec le Code national de l'électricité (NEC). Ne comptez pas uniquement au contact de la plaque avant avec un boîtier mural métallique pour la mise à la terre adéquate. Utilisez cet appareil à la terre de l'appareil pour établir une connexion sécurisée au système électrique.

IMPORTANT! This device must be installed by a licensed electrician in accordance with all national and local electrical codes.

IMPORTANT! If you are unsure about any part of these instructions, consult a qualified electrician.

IMPORTANT! Use this device only with copper or copper-clad wire. Do not use aluminum wiring. This product has not been approved for use with aluminum wiring.

IMPORTANT! To reduce the risk of overheating and possible damage to other equipment, do not install to control a receptacle or a motor-operated appliance.

IMPORTANT! Using this product in a manner other than outlined in this document voids your warranty. Further, Control4 is NOT liable for any damage incurred with the misuse of this product. See "Troubleshooting."

IMPORTANT! Do NOT use a power screwdriver to install this device. If you do, you may overtighten the screws and strip them. Also, overtightening the screws may interfere with proper button operation.

IMPORTANT! This is an electronic device with intricate components. Handle and install with care!

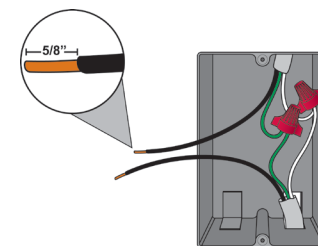
Installation Instructions

- Ensure that the location and intended use meet the following criteria:
 - Do not exceed the load capacity requirements of the dimmer. Refer to the load ratings in the specifications above for details.
 - Install in accordance with all applicable national and local electrical codes.
 - The range and performance of the wireless control system is highly dependent on the following: (1) distance between devices; (2) layout of the home; (3) walls separating devices; and (4) electrical equipment located near devices.
- Turn off the local electrical power by either switching off the circuit breaker or removing the fuse from the fuse box. To ensure the wires do NOT have power running to them, use an inductive voltage detector.

NOTE: The back box wiring shown in this document is an example. Your wire colors and functions may differ. If you are not sure which wires are the Hot, Neutral, Load, and Ground wires, have a trained electrician perform the installation.

- Prepare each wire. Wire insulation should be stripped back 5/8 of an inch from the wire end (see Figure 1).

Figure 1. Strip Wire Insulation



- Identify your wiring application, and then see the appropriate wiring diagram in the "Sample Wiring Configurations" section below.

IMPORTANT! Not grounding this product as described in the section, "Warnings and Considerations," may result in an installation less immune to damage caused by electrical disturbances, such as ESD or lightning, and may void the warranty.

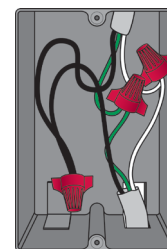
- Identify and connect the dimmer wires to the back box wires using the wire nuts.

IMPORTANT! The yellow wire is not a traditional traveler. It cannot directly power a lighting load. It must be used only to connect to a Control4 Auxiliary Keypad. See "Sample Wiring Configurations."

TIP: If you are using a Control4 push-on (screwless) faceplate in a multi-gang installation, attach the black faceplate sub-plate to all of the devices that will be installed into the wallbox prior to attaching the devices to the wallbox. This will help ensure that all the devices are properly aligned and on the same plane after installation.

- Fit the wires back into the back box. Bend the wires in a zigzag pattern so that they easily fold into the back box (Figure 2).

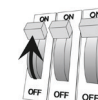
Figure 2. Bend the Wires



- Align the dimmer to the back box (the load rating label should be at the bottom) and fasten it with screws. Tighten the screws until the back side of the yoke plate is even with the wall surface, but no further. Overtightening can warp the dimmer and cause mechanical malfunction.

- Install the Control4 Faceplate following the instructions in the *Faceplate Installation Guide* or attach a standard Decora-style faceplate.

- Turn ON power at the circuit breaker or replace the fuse from the fuse box.



Operation and Configuration

On initial power up, all status LEDs on the dimmer will illuminate green indicating that the device has power. To set up this dimmer for use with a Control4 system, refer to the *Composer Pro User Guide*.

To operate this dimmer as a stand-alone device:

- Click the **top button** to turn the light on.
- Click the **bottom button** to turn the light off.
- Press and hold the **top button** to ramp the light up. Release the button at the desired light level.
- Press and hold the **bottom button** to fade the light down. Release the button at the desired light level.

Button Tap Sequences

The button tap sequences are defined in the table below. Button tap sequences that require a single (1) button should use the top button.

Function Sequence	Button
Identify	4
ZigBee Channel	7
Reboot	15
Factory Reset	9-4-9
Leave Mesh and Reset	13-4-13

Troubleshooting

If the light does not turn on:

- Ensure at least one LED on the face of the dimmer is lit.
- Ensure the light bulb is not burned out and is screwed in tightly.
- Ensure that the circuit breaker is not turned OFF or tripped.
- Check for proper wiring (see "Sample Wiring Configurations").
- For help on the installation or operation of this product, email or call the Control4 Technical Support Center. Please provide your exact model number. Contact support@control4.com or see the web site www.control4.com.

Care and Cleaning

- Do NOT paint the dimmer or its wall plate.
- Do NOT use any chemical cleaners to clean the dimmer.
- Clean surface of the dimmer with a soft damp cloth as needed.

Regulatory/Safety Information

To review Regulatory information for your particular Control4 products, see the information located on the Control4 website at: <http://www.control4.com/regulatory/>.

Patent Information

Applicable patents are available at <http://www.control4.com/legal/patents>.

Warranty

For complete warranty information, including details on consumer legal rights as well as warranty exclusions, review the Warranty card or visit www.control4.com/warranty.

About this Document

Part Number: 200-00312, Rev A 3/03/2013

Sample Wiring Configurations

Figure 3. Single Device Location, With Neutral Connection

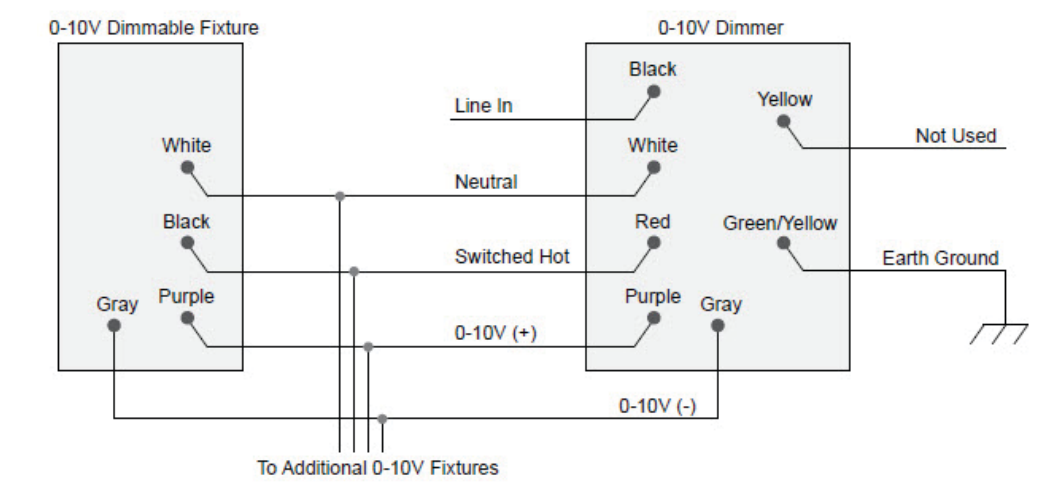


Figure 4. Multiple Device Location Using Auxiliary Keypad, With Neutral Connection

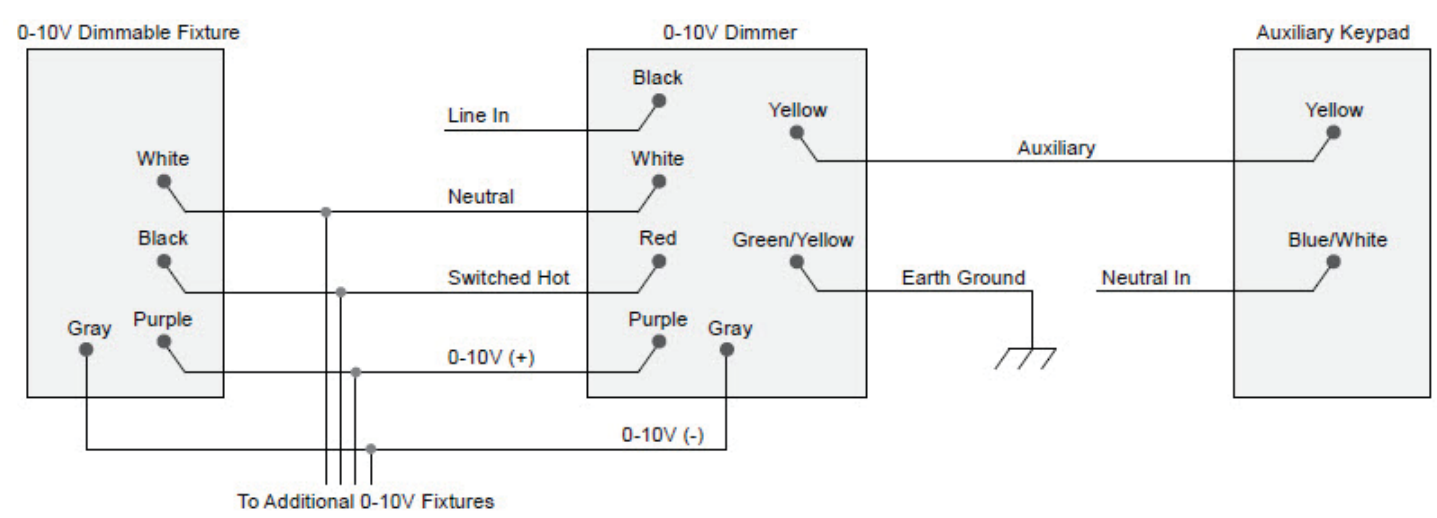
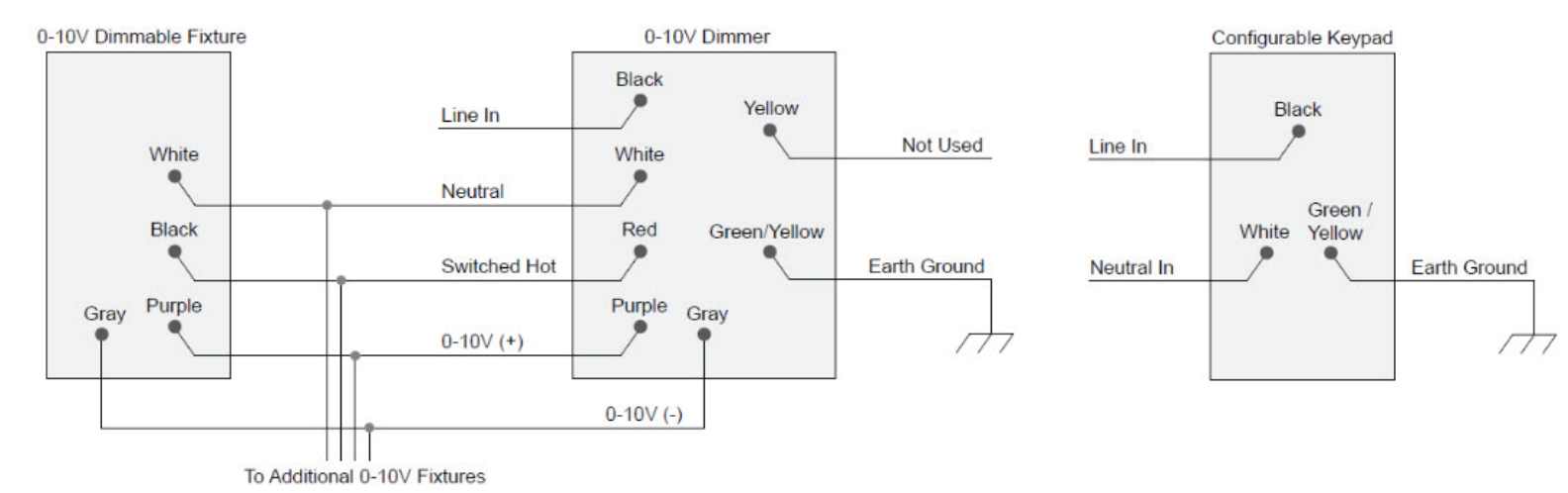


Figure 5. Multiple Device Location Using Configurable Keypad, Neutral Required





Regulatory Compliance & Safety Information for Control4 Model C4-SW120277 & C4-SW240.

Electrical Safety Advisory
Sécurité électrique consultatif

Important Safety Information

Informations de sécurité importantes

Read the safety instructions before using this product.

Lisez les consignes de sécurité avant d'utiliser ce produit.

1. Read these instructions.
1. Lisez ces instructions.
2. Keep these instructions.
2. Conservez ces instructions.
3. Heed all warnings.
3. Respectez tous les avertissements.
4. Follow all instructions.
4. Suivez toutes les instructions.
5. Do not use this apparatus near water.
5. Ne pas utiliser cet appareil près de l'eau.
6. Clean only with dry cloth.
6. Nettoyez-le uniquement avec un chiffon sec.
7. Do not block any ventilation openings. Install in accordance with the manufacturer's instructions.
7. Ne pas bloquer les ouvertures de ventilation. Installer conformément aux instructions du fabricant.
8. Do not install near any heat sources such as radiators, heat registers, stoves, or other apparatus (including amplifiers) that produce heat.
8. Ne pas installer près de sources de chaleur telles que des radiateurs, registres de chaleur, poêles, ou autres appareils (incluant les amplificateurs) qui produisent de la chaleur.
9. Do not defeat the safety purpose of the polarized or grounding-type plug. A polarized plug has two blades with one wider than the other. A grounding type plug has two blades and a third grounding prong. The wide blade or the third prong is provided for your safety. If the provided plug does not fit into your outlet, consult an electrician for replacement of the obsolete outlet.
9. Ne pas contourner le dispositif de sécurité de la fiche polarisée ou de mise à la terre. Une fiche polarisée possède deux lames dont une plus large que l'autre. Une fiche de terre a



deux lames et une troisième broche de terre. La lame large ou la troisième broche est fournie pour votre sécurité. Si la fiche fournie ne s'adapte pas à votre prise, consultez un électricien pour le remplacement de la prise obsolète.

10. Protect the power cord from being walked on or pinched particularly at plugs, convenience receptacles, and the point where they exit from the apparatus.
10. Protégez le cordon d'alimentation ne soit piétiné ou pincé, en particulier au niveau des fiches, des prises et au point où il sort de l'appareil.
11. Only use attachments/accessories specified by the manufacturer.
11. Utilisez uniquement des fixations / accessoires spécifiés par le fabricant.
12. Use only with the cart, stand, tripod, bracket, or table specified by the manufacturer, or sold with the apparatus. When a cart is used, use caution when moving the cart/apparatus combination to avoid injury from tip-over.
12. Utilisez uniquement avec le chariot, le socle, le trépied, le support ou la table spécifiés par le fabricant ou vendu avec l'appareil. Lorsque vous utilisez un chariot, soyez prudent lorsque vous déplacez l'ensemble chariot / appareil pour éviter des blessures dues au renversement.
13. Unplug this apparatus during lightning storms or when unused for long periods of time. This equipment uses AC power which can be subjected to electrical surges, typically lightning transients which are very destructive to customer terminal equipment connected to AC power sources. The warranty for this equipment does not cover damage caused by electrical surge or lightning transients. To reduce the risk of this equipment becoming damaged it is suggested that the customer consider installing a surge arrestor.
13. Débranchez cet appareil pendant les orages ou lorsqu'il n'est pas utilisé pendant de longues périodes de temps. Cet équipement utilise la puissance AC qui peuvent être soumis à des surtensions électriques, la foudre généralement transitoires qui sont très destructives envers les équipements terminaux connectés à des sources d'alimentation CA. La garantie de cet appareil ne couvre pas les dommages causés par les surtensions électriques ou transitoires de foudre. Pour réduire le risque de cet équipement devient endommagé, il est suggéré que le client envisager l'installation d'un limiteur de surtension.
14. Refer all servicing to qualified service personnel. Servicing is required when the apparatus has been damaged in any way, such as power-supply cord or plug is damaged, liquid has been spilled or objects have fallen into the apparatus, the apparatus has been exposed to rain or moisture, does not operate normally, or has been dropped.
14. Confiez toutes les réparations à un personnel qualifié. Une réparation est nécessaire lorsque l'appareil a été endommagé de quelque façon que ce soit le cordon d'alimentation ou la fiche est endommagé, du liquide a été renversé ou si des objets sont tombés dans l'appareil, l'appareil a été exposé à la pluie ou à l'humidité, ne fonctionne pas normalement, ou s'il est tombé.
15. Use the circuit breaker to disconnect the apparatus from the AC mains. The circuit breaker shall remain readily accessible.
15. Utiliser le disjoncteur pour déconnecter l'appareil de l'alimentation secteur. Le disjoncteur doit rester facilement accessible.
16. To completely disconnect unit power from the AC mains, turn off the circuit breaker. To reconnect power, turn on the circuit breaker following all safety instructions and guidelines.

16. Pour couper entièrement l'alimentation appareil de l'alimentation secteur, éteignez le disjoncteur. Pour rétablir le courant, mettez le disjoncteur après les consignes de sécurité et des lignes directrices.
17. This product relies on the buildings installation for short-circuit (overcurrent) protection. Ensure that the protective device is rated not greater than: 20A.
17. Ce produit repose sur l'installation des bâtiments pour les courts-circuits (surintensité) de protection. Assurez-vous que le dispositif de protection est assignée ne dépassant pas: 20A.
18. **CAUTION:** As with all batteries, there is a risk of explosion or personal injury if the battery is replaced by an incorrect type. Dispose of used battery according to the instructions of the battery manufacturer and applicable environmental guidelines. Do not open, puncture or incinerate the battery, or expose it to conducting materials, moisture, liquid, fire or heat above 54° C or 130° F.
18. **ATTENTION:** Comme avec toutes les batteries, il ya un risque d'explosion ou de blessure si la batterie est remplacée par un type incorrect. Éliminez les batteries usagées selon les instructions du fabricant de la batterie et applicables des directives environnementales. Ne pas ouvrir, percer ou incinérer la batterie, ou de l'exposer à des matériaux conducteurs, de l'humidité, du liquide, un incendie ou une température supérieure à 54 ° C ou 130 ° F.
19. Never push objects of any kind into this product through cabinet slots as they may touch dangerous voltage points or short out parts that could result in fire or electric shock.
19. N'introduisez jamais d'objets d'aucune sorte dans ce produit à travers les fentes du boîtier car ils pourraient toucher des points de tension dangereux ou court-circuiter des pièces qui pourraient entraîner un incendie ou un choc électrique.
20. This product can interfere with electrical equipment such as tape recorders, TV sets, radios, computers and microwave ovens if placed in close proximity.
20. Ce produit peut interférer avec des appareils électriques tels que les magnétophones, téléviseurs, radios, ordinateurs et fours à micro-ondes si placés à proximité.



The lightning flash and arrow head within the triangle is a warning sign alerting you of dangerous voltage inside the product
L'éclair et la flèche dans le triangle est un signe d'alerte pour vous avertir d'une tension dangereuse à l'intérieur du produit



Caution: To reduce the risk of electric shock, do not remove cover (or back). No user serviceable parts inside. Refer servicing to qualified service personnel.
Attention: Pour réduire le risque de choc électrique, ne pas retirer le couvercle (ou l'arrière). Aucune pièce réparable par l'utilisateur. Confiez l'entretien à un personnel qualifié.



The exclamation point within the triangle is a warning sign alerting you of important instructions accompanying the product.
Le point d'exclamation dans un triangle est un signe d'avertissement vous signale des instructions importantes accompagnant le produit.

See marking on bottom / back of product
Voir le marquage sur les bas / dos du produit



Warning! To reduce the risk of electrical shock, do not expose this apparatus to rain or moisture

AVERTISSEMENT! Pour réduire le risque de choc électrique, n'exposez pas cet appareil à la pluie ou à l'humidité.

Save these instructions
Conservez ces instructions

Compliance of this equipment is confirmed by the following label that is placed on the equipment:
Conformité de cet appareil est confirmé par le symbole suivant qui est placé sur l'équipement:



USA & Canada Compliance

FCC Part 15, Subpart B / ICES-003 Unintentional Emissions Interference Statement

This equipment has been tested and found to comply with the limits for a Class B digital device, pursuant to Part 15 of the FCC rules and Industry Canada ICES-003. These limits are designed to provide reasonable protection against harmful interference when the equipment is operated in a residential installation. This equipment generates uses and can radiate radio frequency energy and, if not installed and used in accordance with the instructions, may cause harmful interference to radio communications. However, there is no guarantee that interference will not occur in a particular installation. If this equipment does cause harmful interference to radio or television reception, which can be determined by turning the equipment off and on, the user is encouraged to try to correct the interference by one or more of the following measures:

- Reorient or relocate the receiving antenna.
- Increase the separation between the equipment and receiver.
- Connect the equipment into an outlet on a circuit different from that to which the receiver is connected.
- Consult the dealer or an experienced radio/TV technician for help.

FCC Partie 15, sous-section B / ICES-003 Unintentional Déclaration sur les interférences des émissions

Cet équipement a été testé et jugé conforme aux limites établies pour un dispositif numérique de classe B, conformément à la Partie 15 des règlements de la FCC et d'Industrie Canada ICES-003. Ces limites sont conçues pour fournir une protection raisonnable contre les interférences nuisibles lorsque l'équipement est utilisé dans une installation résidentielle. Cet équipement génère, utilise et peut émettre de l'énergie rayonnant fréquence et, s'il n'est pas installé et utilisé conformément aux instructions, il peut causer des interférences nuisibles aux communications radio. Cependant, il n'existe aucune garantie que des interférences ne se produiront pas dans



une installation particulière. Si cet équipement provoque des interférences nuisibles à la réception radio ou télévision, ce qui peut être déterminé en mettant l'équipement hors et sous tension, l'utilisateur est encouragé à essayer de corriger l'interférence par une ou plusieurs des mesures suivantes:

- Réorienter ou déplacer l'antenne de réception.
- Augmenter la distance entre l'équipement et le récepteur.
- Connecter l'équipement à une prise sur un circuit différent de celui sur lequel le récepteur est branché.
- Consulter le revendeur ou un technicien radio / télévision qualifié pour obtenir de l'aide.

This device complies with part 15 of the FCC rules and Industry Canada ICES-003. Operation is subject to the following two conditions: (1) This device may not cause harmful interference, and (2) this device must accept any interference received, including interference that may cause undesired operation.

Le présent appareil est conforme aux CNR d'Industrie Canada applicables aux appareils radio exempts de licence. L'exploitation est autorisée aux deux conditions suivantes : (1) l'appareil ne doit pas produire de brouillage, et (2) l'utilisateur de l'appareil doit accepter tout brouillage radioélectrique subi, même si le brouillage est susceptible d'en compromettre le fonctionnement.

IMPORTANT! Any changes or modifications not expressly approved by the party responsible for compliance could void the user's authority to operate this equipment.

IMPORTANT! Tous les changements ou modifications pas expressément approuvés par la partie responsable de la conformité ont pu vider l'autorité de l'utilisateur pour actionner cet équipement.

FCC Part 15, Subpart C / RSS-210 Intentional Emissions Interference Statement

Compliance of this equipment is confirmed by the following certification numbers that are placed on the equipment:

Notice: The term "FCC ID:" and "IC" before the certification number signifies that FCC and Industry Canada technical specifications were met.

FCC ID: R33C4SWTV
IC: 7848A-C4SWTV

This equipment must be installed by qualified professionals or contractors in accordance with FCC Part 15.203 & IC RSS-210, Antenna Requirements. Do not use any antenna other than the one provided with the unit.

FCC Partie 15, sous-partie C / RSS-210 Déclaration volontaire des émissions interférences

Conformité de cet appareil est confirmé par les chiffres de certification suivants qui sont placés sur l'équipement:

Avis: Le terme "FCC ID:" and "IC" avant le numéro de certification signifie que la FCC et Industrie Canada ont été respectées.

FCC ID: R33C4SWTV
IC: 7848A-C4SWTV



Cet équipement doit être installé par des professionnels qualifiés ou entrepreneurs conformément aux normes FCC partie 15.203 & IC RSS-210, Exigences d'antenne. Ne pas utiliser une antenne autre que celui fourni avec l'appareil.

RF Radiation Exposure Statement

This equipment complies with the FCC/IC radiation exposure limits set fourth for portable transmitting devices operation in an uncontrolled environment. End users must follow the specific operating instructions to satisfy RF exposure compliance.

- The equipment should only be used or installed at locations where there is normally at least a 20cm separation between the antenna and all persons.
- This transmitter must not be co-located or operation in conjunction with any other antenna or transmitter.
- Any changes or modifications not expressly approved by the party responsible for compliance could void the user's authority to operate this equipment.

Déclaration d'exposition aux radiations RF

Cet équipement est conforme aux limites FCC / IC d'exposition aux rayonnements définies quatrième opération appareils portables transmettre dans un environnement non contrôlé. Les utilisateurs finaux doivent suivre les instructions de fonctionnement spécifiques pour satisfaire la conformité aux expositions RF.

- L'appareil ne doit être utilisé ou installé à des endroits où il ya normalement au moins une séparation de 20 cm entre l'antenne et toute personne.
- Cet émetteur ne doit pas être co-localisés ou fonctionnement en conjonction avec une autre antenne ou un autre émetteur.
- Tout changement ou modification non expressément approuvé par la partie responsable de la conformité pourraient annuler l'autorité de l'utilisateur à utiliser cet équipement.

European Compliance

Conformity of the equipment with the guidelines below is attested by the application of the CE mark.



CE Declaration of Conformity

Manufacturer's Name: CONTROL4 CORPORATION
Manufacturer's Address: 11734 S. ELECTION ROAD SUITE 200
SALT LAKE CITY
UT 84020 USA

EU Representative Name: CONTROL4 EMEA LIMITED
EU Representative Address: UNIT3, GREEN PARK BUSINESS CENTRE
SULTON-ON-THE FOREST
YORK YO61 1ET, UNITED KINGDOM



Product Name(s): Relay Switch
Brand: Contol4
Model(s): C4-SW240

Product Standard(s) to which Conformity of the Council Directive(s) is declared:

EMC - 2004/108/EC “Electromagnetic Compatibility (EMC) Directive”:
(Emissions & Immunity) IEC 60669-2-1:2009 Section 26, EN 301 489-1:2008 & EN 301 489-17:2009

Safety – 206/95/EC “Low Voltage Directive (LVD)”:
EN 60669-2-1

Telecom & Radio - 1999/5/EC Radio equipment and Telecommunications Terminal Equipment (R&TTE) Directive:
EN 300 328 V1.7.1 (2006-10)

RoHS - 2002/95/EC Restriction of the Use of certain Hazardous Substances in Electrical and Electronic Equipment (EEE) & WEEE - 2002/96/EC Waste of Electrical and Electronic Equipment (EEE).

We, the undersigned, hereby declare that the equipment specified above conforms to the above directives and standards. Date of Issue: March 12, 2013

Legal Representative

Signature

Roger Midgley
Sr. Regulatory Compliance Engineer

Recycling

Control4 understands that a commitment to the environment is essential for a health life and sustainable growth for future generations. We are committed to supporting the environmental standards, laws, and directives that have been put in place by various communities and countries that deal with concerns for the environment. This commitment is represented by combining technological innovation with sound environmental business decisions.

WEEE Compliance

Control4 is committed to meeting all requirements of the Waste Electrical and Electronic Equipment (WEEE) directive (2002/96/EC). The WEEE directive requires the manufacturers of electrical and electronic equipment who sell in EU countries: (1) label their equipment to notify customers that it needs to be recycled, and (2) provide a way for their products to be appropriately disposed of or recycled at the end of their product lifespan. For collection or recycling of Control4 products, please contact your local Control4 representative or dealer.





Australia / New Zealand Compliance

Compliance of this equipment is confirmed by the following label that is placed on the equipment:



About this Document

Copyright © 2012 Control4 Corporation. All rights reserved. Control4 and the Control4 logo are registered trademarks or trademarks of Control4 Corporation in the United States and/or other countries.

Part Number 200-00328 Rev A, 3/12/2013



Regulatory Compliance & Safety Information for Control4 Model C4-TV120277 & C4-TV240.

Electrical Safety Advisory **Sécurité électrique consultatif**

Important Safety Information

Informations de sécurité importantes

Read the safety instructions before using this product.

Lisez les consignes de sécurité avant d'utiliser ce produit.

1. Read these instructions.
1. Lisez ces instructions.
2. Keep these instructions.
2. Conservez ces instructions.
3. Heed all warnings.
3. Respectez tous les avertissements.
4. Follow all instructions.
4. Suivez toutes les instructions.
5. Do not use this apparatus near water.
5. Ne pas utiliser cet appareil près de l'eau.
6. Clean only with dry cloth.
6. Nettoyez-le uniquement avec un chiffon sec.
7. Do not block any ventilation openings. Install in accordance with the manufacturer's instructions.
7. Ne pas bloquer les ouvertures de ventilation. Installer conformément aux instructions du fabricant.
8. Do not install near any heat sources such as radiators, heat registers, stoves, or other apparatus (including amplifiers) that produce heat.
8. Ne pas installer près de sources de chaleur telles que des radiateurs, registres de chaleur, poêles, ou autres appareils (incluant les amplificateurs) qui produisent de la chaleur.
9. Do not defeat the safety purpose of the polarized or grounding-type plug. A polarized plug has two blades with one wider than the other. A grounding type plug has two blades and a third grounding prong. The wide blade or the third prong is provided for your safety. If the provided plug does not fit into your outlet, consult an electrician for replacement of the obsolete outlet.
9. Ne pas contourner le dispositif de sécurité de la fiche polarisée ou de mise à la terre. Une fiche polarisée possède deux lames dont une plus large que l'autre. Une fiche de terre a deux lames et une troisième broche de terre. La lame large ou la troisième broche est



fournie pour votre sécurité. Si la fiche fournie ne s'adapte pas à votre prise, consultez un électricien pour le remplacement de la prise obsolète.

10. Protect the power cord from being walked on or pinched particularly at plugs, convenience receptacles, and the point where they exit from the apparatus.
10. Protégez le cordon d'alimentation ne soit piétiné ou pincé, en particulier au niveau des fiches, des prises et au point où il sort de l'appareil.
11. Only use attachments/accessories specified by the manufacturer.
11. Utilisez uniquement des fixations / accessoires spécifiés par le fabricant.
12. Use only with the cart, stand, tripod, bracket, or table specified by the manufacturer, or sold with the apparatus. When a cart is used, use caution when moving the cart/apparatus combination to avoid injury from tip-over.
12. Utilisez uniquement avec le chariot, le socle, le trépied, le support ou la table spécifiés par le fabricant ou vendu avec l'appareil. Lorsque vous utilisez un chariot, soyez prudent lorsque vous déplacez l'ensemble chariot / appareil pour éviter des blessures dues au renversement.
13. Unplug this apparatus during lightning storms or when unused for long periods of time. This equipment uses AC power which can be subjected to electrical surges, typically lightning transients which are very destructive to customer terminal equipment connected to AC power sources. The warranty for this equipment does not cover damage caused by electrical surge or lightning transients. To reduce the risk of this equipment becoming damaged it is suggested that the customer consider installing a surge arrester.
13. Débranchez cet appareil pendant les orages ou lorsqu'il n'est pas utilisé pendant de longues périodes de temps. Cet équipement utilise la puissance AC qui peuvent être soumis à des surtensions électriques, la foudre généralement transitoires qui sont très destructives envers les équipements terminaux connectés à des sources d'alimentation CA. La garantie de cet appareil ne couvre pas les dommages causés par les surtensions électriques ou transitoires de foudre. Pour réduire le risque de cet équipement devient endommagé, il est suggéré que le client envisager l'installation d'un limiteur de surtension.
14. Refer all servicing to qualified service personnel. Servicing is required when the apparatus has been damaged in any way, such as power-supply cord or plug is damaged, liquid has been spilled or objects have fallen into the apparatus, the apparatus has been exposed to rain or moisture, does not operate normally, or has been dropped.
14. Confiez toutes les réparations à un personnel qualifié. Une réparation est nécessaire lorsque l'appareil a été endommagé de quelque façon que ce soit le cordon d'alimentation ou la fiche est endommagé, du liquide a été renversé ou si des objets sont tombés dans l'appareil, l'appareil a été exposé à la pluie ou à l'humidité, ne fonctionne pas normalement, ou s'il est tombé.
15. Use the circuit breaker to disconnect the apparatus from the AC mains. The circuit breaker shall remain readily accessible.
15. Utiliser le disjoncteur pour déconnecter l'appareil de l'alimentation secteur. Le disjoncteur doit rester facilement accessible.
16. To completely disconnect unit power from the AC mains, turn off the circuit breaker. To reconnect power, turn on the circuit breaker following all safety instructions and guidelines.

16. Pour couper entièrement l'alimentation appareil de l'alimentation secteur, éteignez le disjoncteur. Pour rétablir le courant, mettez le disjoncteur après les consignes de sécurité et des lignes directrices.
17. This product relies on the buildings installation for short-circuit (overcurrent) protection. Ensure that the protective device is rated not greater than: 20A.
17. Ce produit repose sur l'installation des bâtiments pour les courts-circuits (surintensité) de protection. Assurez-vous que le dispositif de protection est assignée ne dépassant pas: 20A.
18. **CAUTION:** As with all batteries, there is a risk of explosion or personal injury if the battery is replaced by an incorrect type. Dispose of used battery according to the instructions of the battery manufacturer and applicable environmental guidelines. Do not open, puncture or incinerate the battery, or expose it to conducting materials, moisture, liquid, fire or heat above 54° C or 130° F.
18. **ATTENTION:** Comme avec toutes les batteries, il ya un risque d'explosion ou de blessure si la batterie est remplacée par un type incorrect. Éliminez les batteries usagées selon les instructions du fabricant de la batterie et applicables des directives environnementales. Ne pas ouvrir, percer ou incinérer la batterie, ou de l'exposer à des matériaux conducteurs, de l'humidité, du liquide, un incendie ou une température supérieure à 54 ° C ou 130 ° F.
19. Never push objects of any kind into this product through cabinet slots as they may touch dangerous voltage points or short out parts that could result in fire or electric shock.
19. N'introduisez jamais d'objets d'aucune sorte dans ce produit à travers les fentes du boîtier car ils pourraient toucher des points de tension dangereux ou court-circuiter des pièces qui pourraient entraîner un incendie ou un choc électrique.
20. This product can interfere with electrical equipment such as tape recorders, TV sets, radios, computers and microwave ovens if placed in close proximity.
20. Ce produit peut interférer avec des appareils électriques tels que les magnétophones, téléviseurs, radios, ordinateurs et fours à micro-ondes si placés à proximité.



The lightning flash and arrow head within the triangle is a warning sign alerting you of dangerous voltage inside the product
L'éclair et la flèche dans le triangle est un signe d'alerte pour vous avertir d'une tension dangereuse à l'intérieur du produit



Caution: To reduce the risk of electric shock, do not remove cover (or back). No user serviceable parts inside. Refer servicing to qualified service personnel.
Attention: Pour réduire le risque de choc électrique, ne pas retirer le couvercle (ou l'arrière). Aucune pièce réparable par l'utilisateur. Confiez l'entretien à un personnel qualifié.



The exclamation point within the triangle is a warning sign alerting you of important instructions accompanying the product.
Le point d'exclamation dans un triangle est un signe d'avertissement vous signale des instructions importantes accompagnant le produit.

See marking on bottom / back of product
Voir le marquage sur les bas / dos du produit



Warning!: To reduce the risk of electrical shock, do not expose this apparatus to rain or moisture

AVERTISSEMENT! Pour réduire le risque de choc électrique, n'exposez pas cet appareil à la pluie ou à l'humidité.

Save these instructions
Conservez ces instructions

Compliance of this equipment is confirmed by the following label that is placed on the equipment:
Conformité de cet appareil est confirmé par le symbole suivant qui est placé sur l'équipement:



USA & Canada Compliance

FCC Part 15, Subpart B / ICES-003 Unintentional Emissions Interference Statement

This equipment has been tested and found to comply with the limits for a Class B digital device, pursuant to Part 15 of the FCC rules and Industry Canada ICES-003. These limits are designed to provide reasonable protection against harmful interference when the equipment is operated in a residential installation. This equipment generates uses and can radiate radio frequency energy and, if not installed and used in accordance with the instructions, may cause harmful interference to radio communications. However, there is no guarantee that interference will not occur in a particular installation. If this equipment does cause harmful interference to radio or television reception, which can be determined by turning the equipment off and on, the user is encouraged to try to correct the interference by one or more of the following measures:

- Reorient or relocate the receiving antenna.
- Increase the separation between the equipment and receiver.
- Connect the equipment into an outlet on a circuit different from that to which the receiver is connected.
- Consult the dealer or an experienced radio/TV technician for help.

FCC Partie 15, sous-section B / ICES-003 Unintentional Déclaration sur les interférences des émissions

Cet équipement a été testé et jugé conforme aux limites établies pour un dispositif numérique de classe B, conformément à la Partie 15 des règlements de la FCC et d'Industrie Canada ICES-003. Ces limites sont conçues pour fournir une protection raisonnable contre les interférences nuisibles lorsque l'équipement est utilisé dans une installation résidentielle. Cet équipement génère, utilise et peut émettre de l'énergie rayonnant fréquence et, s'il n'est pas installé et utilisé conformément aux instructions, il peut causer des interférences nuisibles aux communications radio. Cependant, il n'existe aucune garantie que des interférences ne se produiront pas dans



une installation particulière. Si cet équipement provoque des interférences nuisibles à la réception radio ou télévision, ce qui peut être déterminé en mettant l'équipement hors et sous tension, l'utilisateur est encouragé à essayer de corriger l'interférence par une ou plusieurs des mesures suivantes:

- Réorienter ou déplacer l'antenne de réception.
- Augmenter la distance entre l'équipement et le récepteur.
- Connecter l'équipement à une prise sur un circuit différent de celui sur lequel le récepteur est branché.
- Consulter le revendeur ou un technicien radio / télévision qualifié pour obtenir de l'aide.

This device complies with part 15 of the FCC rules and Industry Canada ICES-003. Operation is subject to the following two conditions: (1) This device may not cause harmful interference, and (2) this device must accept any interference received, including interference that may cause undesired operation.

Le présent appareil est conforme aux CNR d'Industrie Canada applicables aux appareils radio exempts de licence. L'exploitation est autorisée aux deux conditions suivantes : (1) l'appareil ne doit pas produire de brouillage, et (2) l'utilisateur de l'appareil doit accepter tout brouillage radioélectrique subi, même si le brouillage est susceptible d'en compromettre le fonctionnement.

IMPORTANT! Any changes or modifications not expressly approved by the party responsible for compliance could void the user's authority to operate this equipment.

IMPORTANT! Tous les changements ou modifications pas expressément approuvés par la partie responsable de la conformité ont pu vider l'autorité de l'utilisateur pour actionner cet équipement.

FCC Part 15, Subpart C / RSS-210 Intentional Emissions Interference Statement

Compliance of this equipment is confirmed by the following certification numbers that are placed on the equipment:

Notice: The term "FCC ID:" and "IC" before the certification number signifies that FCC and Industry Canada technical specifications were met.

FCC ID: R33C4SWTV
IC: 7848A-C4SWTV

This equipment must be installed by qualified professionals or contractors in accordance with FCC Part 15.203 & IC RSS-210, Antenna Requirements. Do not use any antenna other than the one provided with the unit.

FCC Partie 15, sous-partie C / RSS-210 Déclaration volontaire des émissions interférences

Conformité de cet appareil est confirmé par les chiffres de certification suivants qui sont placés sur l'équipement:

Avis: Le terme "FCC ID:" and "IC" avant le numéro de certification signifie que la FCC et Industrie Canada ont été respectées.

FCC ID: R33C4SWTV
IC: 7848A-C4SWTV



Cet équipement doit être installé par des professionnels qualifiés ou entrepreneurs conformément aux normes FCC partie 15.203 & IC RSS-210, Exigences d'antenne. Ne pas utiliser une antenne autre que celui fourni avec l'appareil.

RF Radiation Exposure Statement

This equipment complies with the FCC/IC radiation exposure limits set fourth for portable transmitting devices operation in an uncontrolled environment. End users must follow the specific operating instructions to satisfy RF exposure compliance.

- The equipment should only be used or installed at locations where there is normally at least a 20cm separation between the antenna and all persons.
- This transmitter must not be co-located or operation in conjunction with any other antenna or transmitter.
- Any changes or modifications not expressly approved by the party responsible for compliance could void the user's authority to operate this equipment.

Déclaration d'exposition aux radiations RF

Cet équipement est conforme aux limites FCC / IC d'exposition aux rayonnements définies quatrième opération appareils portables transmettre dans un environnement non contrôlé. Les utilisateurs finaux doivent suivre les instructions de fonctionnement spécifiques pour satisfaire la conformité aux expositions RF.

- L'appareil ne doit être utilisé ou installé à des endroits où il ya normalement au moins une séparation de 20 cm entre l'antenne et toute personne.
- Cet émetteur ne doit pas être co-localisés ou fonctionnement en conjonction avec une autre antenne ou un autre émetteur.
- Tout changement ou modification non expressément approuvé par la partie responsable de la conformité pourraient annuler l'autorité de l'utilisateur à utiliser cet équipement.

European Compliance

Conformity of the equipment with the guidelines below is attested by the application of the CE mark.



CE Declaration of Conformity

Manufacturer's Name: CONTROL4 CORPORATION
Manufacturer's Address: 11734 S. ELECTION ROAD SUITE 200
SALT LAKE CITY
UT 84020 USA

EU Representative Name: CONTROL4 EMEA LIMITED
EU Representative Address: UNIT3, GREEN PARK BUSINESS CENTRE
SULTON-ON-THE FOREST
YORK YO61 1ET, UNITED KINGDOM



Product Name(s): 0-10V Dimmer
Brand: Contol4
Model(s): C4-TV240

Product Standard(s) to which Conformity of the Council Directive(s) is declared:

EMC - 2004/108/EC “Electromagnetic Compatibility (EMC) Directive”:
(Emissions & Immunity) IEC 60669-2-1:2009 Section 26, EN 301 489-1:2008 & EN 301 489-17:2009

Safety – 206/95/EC “Low Voltage Directive (LVD)”:
EN 60669-2-1

Telecom & Radio - 1999/5/EC Radio equipment and Telecommunications Terminal Equipment (R&TTE) Directive:
EN 300 328 V1.7.1 (2006-10)

RoHS - 2002/95/EC Restriction of the Use of certain Hazardous Substances in Electrical and Electronic Equipment (EEE) & WEEE - 2002/96/EC Waste of Electrical and Electronic Equipment (EEE).

We, the undersigned, hereby declare that the equipment specified above conforms to the above directives and standards. Date of Issue: March 12, 2013

Legal Representative

Signature

Roger Midgley
Sr. Regulatory Compliance Engineer

Recycling

Control4 understands that a commitment to the environment is essential for a health life and sustainable growth for future generations. We are committed to supporting the environmental standards, laws, and directives that have been put in place by various communities and countries that deal with concerns for the environment. This commitment is represented by combining technological innovation with sound environmental business decisions.

WEEE Compliance

Control4 is committed to meeting all requirements of the Waste Electrical and Electronic Equipment (WEEE) directive (2002/96/EC). The WEEE directive requires the manufacturers of electrical and electronic equipment who sell in EU countries: (1) label their equipment to notify customers that it needs to be recycled, and (2) provide a way for their products to be appropriately disposed of or recycled at the end of their product lifespan. For collection or recycling of Control4 products, please contact your local Control4 representative or dealer.





Australia / New Zealand Compliance

Compliance of this equipment is confirmed by the following label that is placed on the equipment:



About this Document

Copyright © 2012 Control4 Corporation. All rights reserved. Control4 and the Control4 logo are registered trademarks or trademarks of Control4 Corporation in the United States and/or other countries.

Part Number 200-00329 Rev A, 3/12/2013