

7" and 10" T3 Series In-Wall Touch Screen Installation Guide



Supported models

- C4-WALL7-BL 7" T3-7 In-Wall Touch Screen, Black
- C4-WALL7-WH 7" T3-7 In-Wall Touch Screen, White
- C4-WALL10-BL 10" T3-10 In-Wall Touch Screen, Black
- C4-WALL10-WH 10" T3-10 In-Wall Touch Screen, White

Introduction

The Control4® T3-7 (7") and T3-10 (10") In-Wall Touch Screens offer complete system control in an elegant and compact design. The touch screens are equipped with a full capacitive screen, audio and video Intercom (with the built-in camera) using SIP, and more.

This touch screen works great in either new construction or retrofit installations. For power and network connectivity, choose from three options:

- **Ethernet with PoE**—The Ethernet network connection is provided through the PoE Injector. No additional wiring is needed.
- **Ethernet with AC**—Connect the touch screen to one of the RJ-45 LAN ports on the gateway/router using the RJ-45 Ethernet cable. AC power is used to power the touch screen.
- **WiFi with AC**—The internal WiFi will communicate with the LAN's WAP. If the LAN has a WAP set up, no additional network wiring is needed. AC power is used to power the touch screen.



Note: 802.11b is not recommended for Video Intercom. We recommend using Wireless-N. See "Specifications" and "Power and Network Installation Options" for more information.

Box contents

- 7" or 10" T3-7/T3-10 In-Wall Touch Screen
- Power box (to power the touch screen) (005-00065)
- Two screws (to attach the power box)
- Touch Screen removal tool
- Four adhesive-backed foam pads
- Warranty card

Accessories available for purchase

- PoE. Control4 Power over Ethernet Injector, sold separately (AC-POE1-B).
- Back box options (sold separately)—Metal and plastic, for new construction or retrofit installations.
 - 7" and 10" In-Wall Touch Screen Back Box Kits - New Construction
 - 7" and 10" In-Wall Touch Screens Wall Box, New Construction, Plastic (C4-NWB57C-P)
 - 7" and 10" In-Wall Touch Screens Wall Box, New Construction, Metal (C4-NWB57C-M)
 - 7" and 10" In-Wall Touch Screen Back Box Kit - Retrofit
 - 7" and 10" In-Wall Touch Screens Wall Box, Retrofit, Plastic (C4-RWB57C-P)
 - 7" and 10" In-Wall Touch Screens Wall Box, Retrofit, Metal (C4-RWB57C-M)

For back box installation details, see:

- *7" or 10" In-Wall Touch Screen Wall Box Installation Guide—New Construction*
- *7", or 10" In-Wall Touch Screen Wall Box Installation Guide—Retrofit*

Warnings

- Warning!** The touch screen must be protected by an external circuit breaker or a fuse rated at 6A maximum when used in Europe.
- AVERTISSEMENT !** Pour réduire le risque du feu ou de choc électrique, n'exposez pas cet appareil à la pluie ou à l'humidité.
- Warning!** Do not place the touch screen near sources of heat or expose to direct sunlight for an extended period of time.
- AVERTISSEMENT !** Ne placez pas l'unité près des sources de chaleur ou exposition pour diriger la lumière du soleil pendant une période prolongée.
- Warning!** Install in accordance with all national, state, and local electrical codes.
- AVERTISSEMENT !** Installez selon tous les national, état, et codes électriques locaux.
- Warning!** This product generates heat. The room must have adequate ventilation or the ability to dissipate heat effectively.
- AVERTISSEMENT !** Ce produit produit de la chaleur. La salle doit avoir à ventilation proportionnée ou la capacité d'absorber la chaleur efficacement.
- Warning!** This product must be grounded in accordance with the National Electrical Code (NEC) requirements.
- AVERTISSEMENT !** Ce produit doit être fondu selon les conditions électriques nationales de code (NEC).
- Warning!** Use this product only in dry locations.
- AVERTISSEMENT !** Employez ce produit seulement dans des endroits secs.
- Caution!** This product is for residential use only.
- AVERTISSEMENT !** Ce produit est pour à l'usage résidentiel ou commercial seulement.
- Caution!** Do not use pens or sharp objects to navigate or make selections on the touch screen. To select an item or scroll through a list, use your fingertip.
- AVERTISSEMENT !** N'employez pas les stylos ou les objets pointus pour diriger ou pour faire des choix sur l'écran. Pour choisir un article ou un rouleau par une liste, employez votre bout du doigt.
- Caution!** Improper use or installation can cause DAMAGE OF PROPERTY.
- AVERTISSEMENT !** L'utilisation ou l'installation inexacte peut causer DAMAGE DE PROPRIÉTÉ.
- Important!** Using this product in a manner other than outlined in this document voids your warranty. Further, Control4 is NOT liable for any damage incurred with the misuse of this product. See "Warranty."
- Important !** Utilisant ce produit en quelque sorte autre que décrit dans ce document vide votre garantie. De plus, Control4 n'est pas responsable d'aucun dommage encouru avec l'abus de ce produit. Voyez que « Warranty. »

For more information, visit the Products pages at dealer.control4.com.

Specifications and requirements

Specifications

Model Numbers	C4-WALL7-BL, C4-WALL7-WH, C4-WALL10-BL, C4-WALL10-WH
Screen	Resolution: 1280 x 800 Camera: 720p
Network	Ethernet or WiFi (802.11b/g/n [2.4 GHz] / (802.11an [5 GHz]) Security: WEP, WPA/WPA2 PSK, 801.1x EAP, PEAP Notes: (1) Intercom usage. 802.11b is not recommended for Video Intercom. (2) Wireless-N is recommended for Video Intercom. Even with Wireless-N, broadcasting to several devices will degrade Video Intercom response time and images. Broadcasting to additional devices will further degrade performance. See "Wireless Network Limitations."
Power supply	PoE (IEEE802.3af) 13 W peak 100-240VAC, 50/60 Hz
Operating temperature	32 - 104°F (0° - 40°C)
Storage temperature	4 - 158°F (-20° - 70°C)
Dimensions (W x H x D)	7" model: 6.9" x 5.0" x 0.53" (175 x 127 x 13 mm) 10" model: 9.4" x 6.5" x 0.53" (239 x 165 x 13 mm) Back box: 2.7" x 4.1" x 2.4" (68 x 104 x 61 mm) Power box: 2.8" x 4.5" x 1.8" (71 x 114 x 46 mm)
Weight (with mid-box)	7" model: 0.9 lbs. (0.41 kg) 10" model: 1.5 lbs. (0.68 kg)
Shipping Weight	7" model: 1.5 lbs (0.68 kg) 10" model: 2.1 lbs (0.95 kg)

Requirements

- A controller fully installed and configured with Control4 OS 2.7.0 or later.
- Control4 7" or 10" In-Wall Touch Screen custom back box installed. See "Accessories."
- If using Ethernet with PoE power:
 - Ethernet network installed and available that includes a gateway/router/switch
 - Control4 PoE Injector (model #AC-POE1-B) or another third-party PoE Injector or switch (UL/ANSI certified).
 - Two Ethernet CAT5/6 cables: (1) one that runs from the Ethernet gateway/router/switch to the PoE Injector/switch and (2) one that runs from the PoE Injector/switch to the Ethernet connection in the touch screen's back box.
- If using Ethernet with AC power:
 - Ethernet network installed and available that includes a gateway/router/switch
 - Access to in-wall AC power (neutral connection required)
 - One Ethernet CAT5/6 cable that runs from the Ethernet gateway/router/switch to the touch screen
 - A 14-gauge electrical wire long enough to pull between the touch screen and the power source
- If using wireless with AC power:
 - Wireless network (WiFi 802.11b/g/n) installed and available with a wireless access point (WAP). Security can be WEP, WPA/WPA2 PSK, 801.1x EAP, PEAP.
 - Access to in-wall AC power (neutral connection required)
 - A 14-gauge electrical wire long enough to pull between the touch screen and the power source

Front view

Figure 1: Front view



- A LED**—Indicates when the camera is on.
- B Camera**—For video intercom calls.
- C Display**—7" or 10" diagonal, capacitive touch screen with 1280 × 800 resolution.
- D Speakers**—Provide stereo audio.

Back view

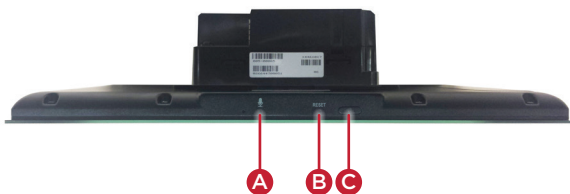
Figure 2: Back view



- A Ribbon cable**—Provides data and power connection to the touch screen from the power box.
- B Mounting ring**—Fits into the power box.

Top view

Figure 3: Top view (with power box attached)



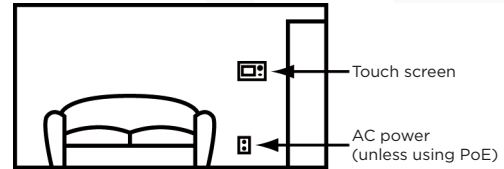
- A Microphone**—Records audio.
- B RESET**—Press and hold a straightened paper clip into this hole to reset the touch screen to factory defaults.
- C Power button**—Press to turn off the touch screen, or press and hold to reboot.

Touch screen placement

Place the touch screen in a convenient location at eye level, typically near the entrance of the room, approximately 57 to 61 inches (145 cm to 155 cm) from the floor (Figure 3).

Note: Consider the camera on the panel and the height of the people in the home who will use the camera for Video Intercom.

Figure 3: Touch screen placement



LED indicator

The LED on the touch screen indicates the camera status of the camera and booting information as described in the next table.

Camera/LED color state	Touch screen status
Off	Camera is off
Green	Camera is on
Green (blinking slowly)	Touch screen is booting

Installation

Warning! Before installing the touch screen, switch off the circuit breaker or remove the fuse from the fuse box.
AVERTISSEMENT ! Pour l'endroit où vous installez l'écran tactile, coupez le disjoncteur ou enlevez le fusible de la boîte de fusible.

Important! Before you can complete the instructions below, you must have a 7" or 10" Touch Screen back box installed according to the documentation provided in the back box kit. See "Accessories" for details.

Important ! En coupant l'ouverture pour la boîte de mur, ne coupez pas l'ouverture trop grande. Soyez conservateur et agrandissez-avec précaution la comme nécessaire. Voyez que <<Accessories>>.

Important! When cutting the opening for the back box, **do not** cut the opening too large. Be conservative and cautiously enlarge it as needed.

Important ! En coupant l'ouverture pour la boîte de mur, ne coupez pas l'ouverture trop grande. Soyez conservateur et agrandissez-avec précaution la comme nécessaire.

Power and network installation options

This device uses an Ethernet or WiFi network connection, and can be powered using PoE or AC power.

Choose one of the following options to install the power and network communication.

Caution! Do not attempt to use PoE and AC power at the same time. Choose only one power option.

ATTENTION ! Ne pas tenter d'utiliser PoE et AC en même temps. Choisir une seule option d'alimentation.

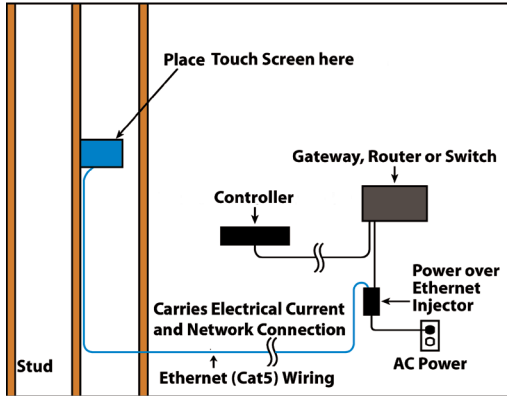
Option 1: Ethernet connection with PoE

PoE supplies DC power on the Ethernet cable using a PoE Injector (model #AC-POE1-B) or a third-party PoE solution to provide the touch screen with power and a network connection. The touch screen works with the Control4 PoE Injector or a third-party PoE Injector.

To set up your PoE and Ethernet connection with a PoE Injector:

- 1 Attach the PoE Injector according to the instructions in your PoE's installation guide if provided. Control4 PoE Injector instructions are provided later in this document.
- 2 Pull the Ethernet cable from that location to where you want to install the touch screen.

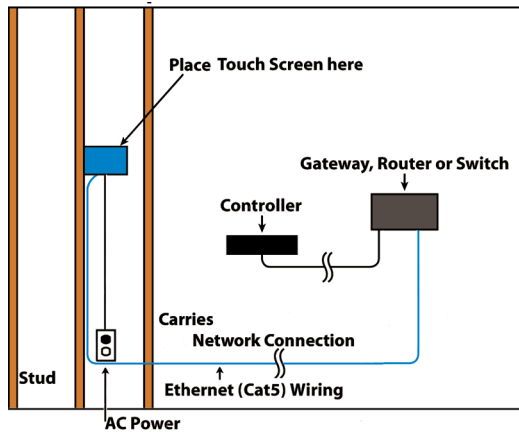
Figure 4: Ethernet with PoE—Requires Ethernet connection to PoE injector



Option 2: Ethernet connection with AC

The Ethernet is connected directly to the switch (Figure 5). This power connection requires both neutral and hot connections.

Figure 5: Ethernet—Requires a connection to Ethernet and AC power



Option 3: WiFi connection with AC

Place the touch screen above a power source, for example, an outlet. Ensure that you have WiFi in the home (Figure 6).

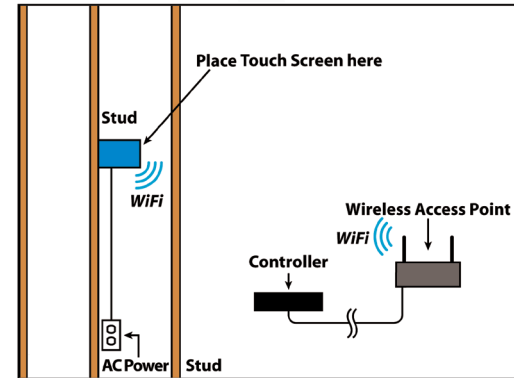


Notes: (1) Video Intercom. Although this device supports 802.11b/g/n, 802.11 b is not recommended for Video Intercom use. (2) We recommend Wireless-N for Video Intercom. See the *Composer Pro User Guide* for details about the touch screen's properties.

Wireless Network Limitations: Many WiFi Access Points handle Multicasts (WiFi simultaneously sent to multiple devices, for example, when the touch screen broadcasts video to all stations) by slowing down transmission speed to the 1 Mb basic rate. This can cause overall WiFi congestion in the WiFi network during the broadcast. Video Intercom response times and images may degrade at each device.

If a home requires a large number of WiFi Video Intercom devices, ensure that you have a robust WiFi network (possibly consisting of multiple access points).

Figure 6: WiFi—Requires AC Power and WAP



Power installation

Prepare the plastic power box for installation into the back box by inserting either the Ethernet cable or the AC power cable into the power box, and then follow the instructions.

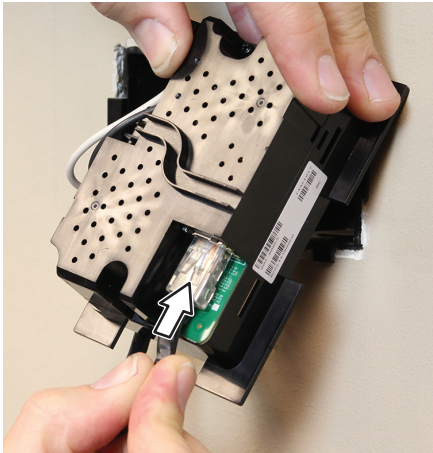
Connecting PoE

Connect the PoE injector to power and the network, and then connect it to the power box.

To install a Control4 PoE injector:

- 1 Connect the Control4 PoE injector to an AC outlet using the power cord.
- 2 Connect one of the RJ-45 LAN ports on the gateway/router/switch to the PoE Injector's LAN port using CAT5/6 Ethernet cable.
- 3 Connect the PoE Injector's PWR LAN-OUT port to the RJ-45 Ethernet cable that will be connected to the touch screen's power box.
- 4 Pull the Ethernet cable through the top left hole of the back box, then plug it into the Ethernet jack on the top back of the power box (Figure 7).

Figure 7: Insert Ethernet cable into power box



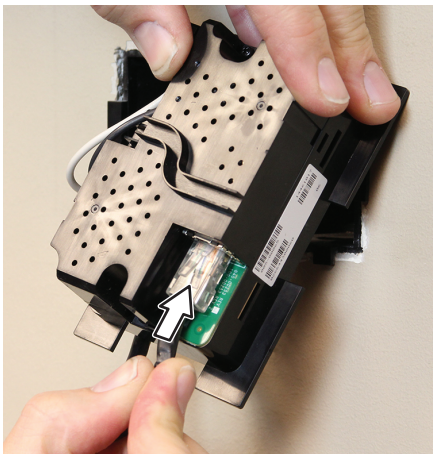
5 Go to "Attach the power box and touch screen" below.

Connecting standard Ethernet

To connect to a wired network:

- 1 Pull the in-wall Ethernet cable through the top left hole of the back box, then plug it into the Ethernet jack on the top back of the power box (Figure 8).

Figure 8: Insert Ethernet cable into power box



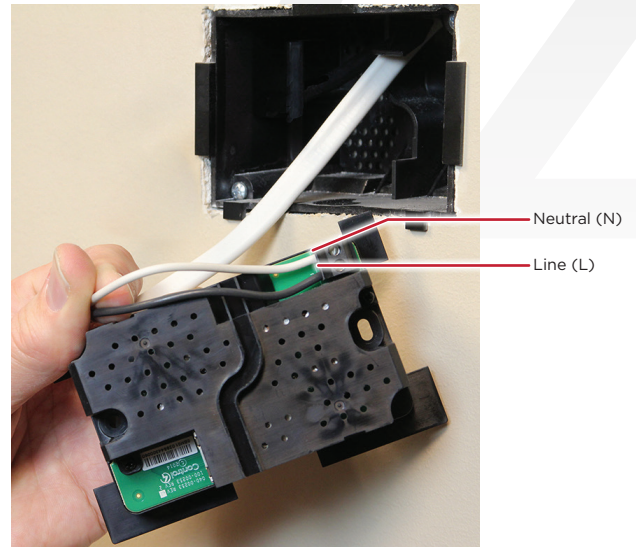
2 Go to "Attach the power box and touch screen" below.

Connecting AC power

The steps below represent a typical U.S. installation.

- 1 Connect the wires to the AC power source for the touch screen according to national and local electrical codes. Installation may require alternative wires and the use of a terminal block.
- 2 Thread the power cable through the upper back hole of the back box to the terminal block (Figure 7).
- 3 Strip the black and white power wire ends to 1/4" as necessary. Using a flat-head screwdriver, loosen the screws on the power box's terminal block and connect the power wires to each terminal (Figure 9).

Figure 9: Connect AC power



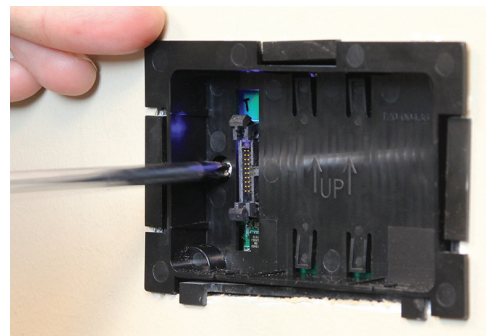
- 4 Cap the ground wire from the wall if you are using a plastic back box. Attach the ground wire to the back box if using a metal back box.

Attach the power box and touch screen

To attach the power box and touch screen:

- 1 Align and bend the wires carefully to fit them inside the back box.
- 2 Align slide the power box into the back box, then secure the power box to the back box using the two screws provided.

Figure 10: Secure power box to back box




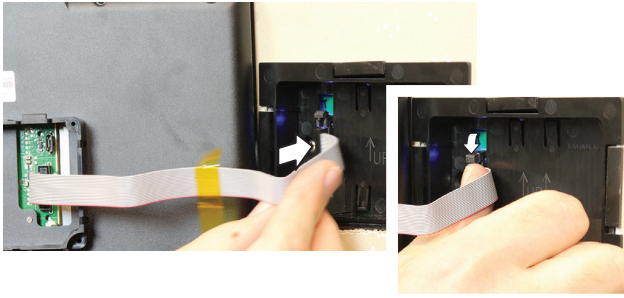
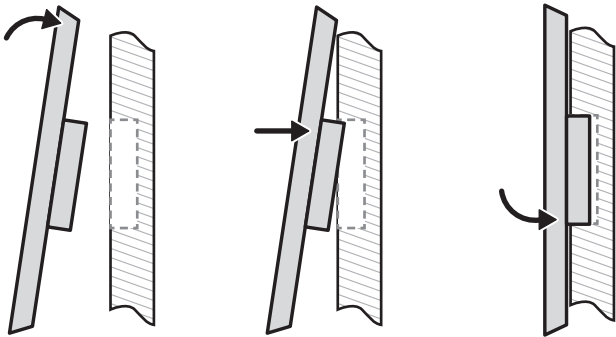
- 3  **Note:** Overtightening the power box screws can warp the box and make it difficult to attach the touch screen.
- 3 Straighten out the ribbon cable taped to the back of the touch screen, then plug it into the ribbon cable port in the power box. To make sure it's securely connected, press it into the port until the two locking tabs close onto the connector.

Figure 11: Attach ribbon cable to the power box



- 4 For easiest installation, angle the top of the touch screen toward the wall, insert the top tabs of the mounting ring into the power box, then press the bottom of the touch screen into place.



Configuration

Configure the touch screen for wireless (optional)

- 1 After initialization, tap **Network**. The network configuration page opens.
- 2 Under *Wireless*, tap **Enable**, then tap the network you want to connect to.

Or, if you don't see the network you want:

 - a Tap **Other**.
 - b Tap the **Network Name** field, type the network name with the on-screen keyboard, then tap **Done**.
 - c Tap the **Security** field, then select a type of security to use.
 - d Tap the **Key** field, type the network password with the on-screen keyboard, then tap **Done**.
 - e Tap **Connect**. Notice that the IP settings change. The IP address is set to *DHCP* by default.
- 3 (Optional) If you need to set a static IP address:
 - a On the *Network* page, tap **Show advanced options**, scroll down and tap **DHCP**, then tap **Static**.
 - b Select each box one at a time and use the on-screen keyboard to type the **IP Address**, **Subnet Mask**, **Default Gateway**, **Preferred DNS**, and **Alternate DNS**.
 - c Tap **Done**.
- 4 Tap **OK** to return to the *Network* page. You can now connect to a Director.

- 5 Tap **OK**.

Add and configure in Composer Pro

After the touch screen is installed and appears on the home network, use Composer Pro to add it to the Control4 system and configure it.

Use the Composer Pro *System Design* and *Connections* views to add and configure this device.

To add and configure a T3 touch screen to a project:

- 1 Add the **T3-T7** or **T3-T10 In-Wall Touch Screen** driver to your project.
- 2 To configure the properties, click **System Design**.
- 3 In the project tree, select the **T3 7"** or **T3 10" In-Wall Touch Screen**.
- 4 View and change the properties in the *Properties* pane as needed.

Properties include:

- **Network Connection**—Reports the touch screen's current network connection type.
- **Back Light**—Use the arrows or type numbers to set the light level, then click **Set**.

Advanced properties include:

- **Enable Camera**—Allows you to enable or disable the camera.
- Intercom (nested under the touch screen) properties:
- **Appearance**—Select to hide the touch screen from appearing in Navigators as an available device.
 - **Behavior**—Select the modes you want this touch screen to support.
 - **Audio Control**—Select the volume of individual audio settings.
 - **Sip Information**—Information for integrating the touch screen into your SIP/VoIP system.
 - **Custom Buttons**—Select to enable and label the two available custom buttons.
 - **Alternate Camera**—Select to use an external camera for the video associated with the touch screen, for example, a security camera mounted to the side of the entrance and pointing at the door.

Troubleshooting

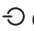

Boot up time

When the device is booting up, it may take 30 seconds or longer before the Green LED turns on. When it turns on, it blinks slowly for a time and then turns off. After that, you'll see an image on the touch screen.

Unresponsive screen

If the camera's LED blinks on and off for more than 30 seconds, the device may need to be power cycled. If power cycling doesn't solve the problem, the touch screen may need to be restored to factory defaults.

To power cycle the touch screen:

- 1 Press and hold the  (power) button for several seconds until the touch screen turns off.
- 2 Press and release the  (power) button again to turn on.

To restore to factory defaults:

- 1 On the touch screen's main screen, tap **Settings, System Information**, then **Restore**.

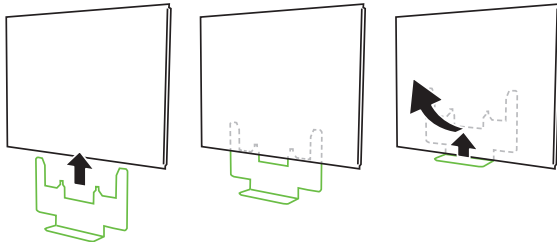
- OR -

Insert a straightened paper clip into the **RESET** hole on the top of the touch screen, then press and hold it for several seconds until the screen resets.

Removing the touch screen from the wall

To remove the touch screen:

- 1 Hold the removal tool flat against the wall, centered directly beneath the touch screen, then slide it upward between the wall and touch screen.



- 2 While pressing the tool up as far as it will go, carefully pull the touch screen away from the wall.

Additional resources

The following resources are available for more support.

- Control4 Knowledgebase and forums
- Control4 Technical Support
- Control4 website: www.control4.com
- Composer documentation in online help or PDF formats, available on the Dealer Portal under *Resources*

Regulatory/Safety Information

To review regulatory information for your particular Control4 products, see the information located on the Control4 website at: ctrl4.co/reg.

Warranty

Visit www.control4.com/warranty for details.

Control 

control4.com | 888.400.4070



Regulatory Compliance & Safety Information for Control4 Model C4-WALL7-XX & C4-WALL10-XX.

Electrical Safety Advisory
Sécurité électrique consultatif

Important Safety Information

Informations de sécurité importantes

Read the safety instructions before using this product.

Lisez les consignes de sécurité avant d'utiliser ce produit.

1. Read these instructions.
1. Lisez ces instructions.
2. Keep these instructions.
2. Conservez ces instructions.
3. Heed all warnings.
3. Respectez tous les avertissements.
4. Follow all instructions.
4. Suivez toutes les instructions.
5. Do not use this apparatus near water.
5. Ne pas utiliser cet appareil près de l'eau.
6. Clean only with dry cloth.
6. Nettoyez-le uniquement avec un chiffon sec.
7. Do not block any ventilation openings. Install in accordance with the manufacturer's instructions.
7. Ne pas bloquer les ouvertures de ventilation. Installer conformément aux instructions du fabricant.
8. Do not install near any heat sources such as radiators, heat registers, stoves, or other apparatus (including amplifiers) that produce heat.
8. Ne pas installer près de sources de chaleur telles que des radiateurs, registres de chaleur, poêles, ou autres appareils (incluant les amplificateurs) qui produisent de la chaleur.
9. Do not defeat the safety purpose of the polarized or grounding-type plug. A polarized plug has two blades with one wider than the other. A grounding type plug has two blades and a third grounding prong. The wide blade or the third prong is provided for your safety. If the provided plug does not fit into your outlet, consult an electrician for replacement of the obsolete outlet.
9. Ne pas contourner le dispositif de sécurité de la fiche polarisée ou de mise à la terre. Une fiche polarisée possède deux lames dont une plus large que l'autre. Une fiche de terre a



deux lames et une troisième broche de terre. La lame large ou la troisième broche est fournie pour votre sécurité. Si la fiche fournie ne s'adapte pas à votre prise, consultez un électricien pour le remplacement de la prise obsolète.

10. Protect the power cord from being walked on or pinched particularly at plugs, convenience receptacles, and the point where they exit from the apparatus.
10. Protégez le cordon d'alimentation ne soit piétiné ou pincé, en particulier au niveau des fiches, des prises et au point où il sort de l'appareil.
11. Only use attachments/accessories specified by the manufacturer.
11. Utilisez uniquement des fixations / accessoires spécifiés par le fabricant.
12. Use only with the cart, stand, tripod, bracket, or table specified by the manufacturer, or sold with the apparatus. When a cart is used, use caution when moving the cart/apparatus combination to avoid injury from tip-over.
12. Utilisez uniquement avec le chariot, le socle, le trépied, le support ou la table spécifiés par le fabricant ou vendu avec l'appareil. Lorsque vous utilisez un chariot, soyez prudent lorsque vous déplacez l'ensemble chariot / appareil pour éviter des blessures dues au renversement.
13. Unplug this apparatus during lightning storms or when unused for long periods of time. This equipment uses AC power which can be subjected to electrical surges, typically lightning transients which are very destructive to customer terminal equipment connected to AC power sources. The warranty for this equipment does not cover damage caused by electrical surge or lightning transients. To reduce the risk of this equipment becoming damaged it is suggested that the customer consider installing a surge arrestor.
13. Débranchez cet appareil pendant les orages ou lorsqu'il n'est pas utilisé pendant de longues périodes de temps. Cet équipement utilise la puissance AC qui peuvent être soumis à des surtensions électriques, la foudre généralement transitoires qui sont très destructives envers les équipements terminaux connectés à des sources d'alimentation CA. La garantie de cet appareil ne couvre pas les dommages causés par les surtensions électriques ou transitoires de foudre. Pour réduire le risque de cet équipement devient endommagé, il est suggéré que le client envisager l'installation d'un limiteur de surtension.
14. Refer all servicing to qualified service personnel. Servicing is required when the apparatus has been damaged in any way, such as power-supply cord or plug is damaged, liquid has been spilled or objects have fallen into the apparatus, the apparatus has been exposed to rain or moisture, does not operate normally, or has been dropped.
14. Confiez toutes les réparations à un personnel qualifié. Une réparation est nécessaire lorsque l'appareil a été endommagé de quelque façon que ce soit le cordon d'alimentation ou la fiche est endommagé, du liquide a été renversé ou si des objets sont tombés dans l'appareil, l'appareil a été exposé à la pluie ou à l'humidité, ne fonctionne pas normalement , ou s'il est tombé.
15. Use the circuit breaker to disconnect the apparatus from the AC mains. The circuit breaker shall remain readily accessible.
15. Utiliser le disjoncteur pour déconnecter l'appareil de l'alimentation secteur. Le disjoncteur doit rester facilement accessible.
16. To completely disconnect unit power from the AC mains, turn off the circuit breaker. To reconnect power, turn on the circuit breaker following all safety instructions and guidelines.

16. Pour couper entièrement l'alimentation appareil de l'alimentation secteur, éteignez le disjoncteur. Pour rétablir le courant, mettez le disjoncteur après les consignes de sécurité et des lignes directrices.
17. This product relies on the buildings installation for short-circuit (overcurrent) protection. Ensure that the protective device is rated not greater than: 20A.
17. Ce produit repose sur l'installation des bâtiments pour les courts-circuits (surintensité) de protection. Assurez-vous que le dispositif de protection est assignée ne dépassant pas: 20A.
18. **CAUTION:** As with all batteries, there is a risk of explosion or personal injury if the battery is replaced by an incorrect type. Dispose of used battery according to the instructions of the battery manufacturer and applicable environmental guidelines. Do not open, puncture or incinerate the battery, or expose it to conducting materials, moisture, liquid, fire or heat above 54° C or 130° F.
18. **ATTENTION:** Comme avec toutes les batteries, il ya un risque d'explosion ou de blessure si la batterie est remplacée par un type incorrect. Éliminez les batteries usagées selon les instructions du fabricant de la batterie et applicables des directives environnementales. Ne pas ouvrir, percer ou incinérer la batterie, ou de l'exposer à des matériaux conducteurs, de l'humidité, du liquide, un incendie ou une température supérieure à 54 ° C ou 130 ° F.
19. Never push objects of any kind into this product through cabinet slots as they may touch dangerous voltage points or short out parts that could result in fire or electric shock.
19. N'introduisez jamais d'objets d'aucune sorte dans ce produit à travers les fentes du boîtier car ils pourraient toucher des points de tension dangereux ou court-circuiter des pièces qui pourraient entraîner un incendie ou un choc électrique.
20. This product can interfere with electrical equipment such as tape recorders, TV sets, radios, computers and microwave ovens if placed in close proximity.
20. Ce produit peut interférer avec des appareils électriques tels que les magnétophones, téléviseurs, radios, ordinateurs et fours à micro-ondes si placés à proximité.



The lightning flash and arrow head within the triangle is a warning sign alerting you of dangerous voltage inside the product
L'éclair et la flèche dans le triangle est un signe d'alerte pour vous avertir d'une tension dangereuse à l'intérieur du produit



Caution: To reduce the risk of electric shock, do not remove cover (or back). No user serviceable parts inside. Refer servicing to qualified service personnel.
Attention: Pour réduire le risque de choc électrique, ne pas retirer le couvercle (ou l'arrière). Aucune pièce réparable par l'utilisateur. Confiez l'entretien à un personnel qualifié.



The exclamation point within the triangle is a warning sign alerting you of important instructions accompanying the product.
Le point d'exclamation dans un triangle est un signe d'avertissement vous signale des instructions importantes accompagnant le produit.

See marking on bottom / back of product
Voir le marquage sur les bas / dos du produit



Warning!: To reduce the risk of electrical shock, do not expose this apparatus to rain or moisture

AVERTISSEMENT! Pour réduire le risque de choc électrique, n'exposez pas cet appareil à la pluie ou à l'humidité.

Save these instructions
Conservez ces instructions

Compliance of this equipment is confirmed by the following label that is placed on the equipment:
Conformité de cet appareil est confirmé par le symbole suivant qui est placé sur l'équipement:



USA & Canada Compliance

FCC Part 15, Subpart B Unintentional Emissions Interference Statement

This equipment has been tested and found to comply with the limits for a Class B digital device, pursuant to Part 15 of the FCC rules. These limits are designed to provide reasonable protection against harmful interference when the equipment is operated in a residential installation. This equipment generates uses and can radiate radio frequency energy and, if not installed and used in accordance with the instructions, may cause harmful interference to radio communications. However, there is no guarantee that interference will not occur in a particular installation. If this equipment does cause harmful interference to radio or television reception, which can be determined by turning the equipment off and on, the user is encouraged to try to correct the interference by one or more of the following measures:

- Reorient or relocate the receiving antenna.
- Increase the separation between the equipment and receiver.
- Connect the equipment into an outlet on a circuit different from that to which the receiver is connected.
- Consult the dealer or an experienced radio/TV technician for help.

FCC Partie 15, sous-section B Unintentional Déclaration sur les interférences des émissions

Cet équipement a été testé et jugé conforme aux limites établies pour un dispositif numérique de classe B, conformément à la Partie 15 des règlements de la FCC. Ces limites sont conçues pour fournir une protection raisonnable contre les interférences nuisibles lorsque l'équipement est utilisé dans une installation résidentielle. Cet équipement génère, utilise et peut émettre de l'énergie rayonnent fréquence et, s'il n'est pas installé et utilisé conformément aux instructions, il peut causer des interférences nuisibles aux communications radio. Cependant, il n'existe aucune garantie que des interférences ne se produiront pas dans une installation particulière. Si cet équipement provoque des interférences nuisibles à la réception radio ou télévision, ce qui peut



être déterminé en mettant l'équipement hors et sous tension, l'utilisateur est encouragé à essayer de corriger l'interférence par une ou plusieurs des mesures suivantes:

- Réorienter ou déplacer l'antenne de réception.
- Augmenter la distance entre l'équipement et le récepteur.
- Connecter l'équipement à une prise sur un circuit différent de celui sur lequel le récepteur est branché.
- Consulter le revendeur ou un technicien radio / télévision qualifié pour obtenir de l'aide.

This device complies with part 15 of the FCC rules and Industry Canada's licence-exempt RSS-GEN. Operation is subject to the following two conditions: (1) This device may not cause harmful interference, and (2) this device must accept any interference received, including interference that may cause undesired operation.

Le présent appareil est conforme partie 15 des règles de la FCC et aux RSS-GEN d'Industrie Canada applicables aux appareils radio exempts de licence. L'exploitation est autorisée aux deux conditions suivantes : (1) l'appareil ne doit pas produire de brouillage, et (2) l'utilisateur de l'appareil doit accepter tout brouillage radioélectrique subi, même si le brouillage est susceptible d'en compromettre le fonctionnement.

IMPORTANT! Any changes or modifications not expressly approved by the party responsible for compliance could void the user's authority to operate this equipment.

IMPORTANT! Tous les changements ou modifications pas expressément approuvés par la partie responsable de la conformité ont pu vider l'autorité de l'utilisateur pour actionner cet équipement.

FCC Part 15, Subpart C / RSS-210 Intentional Emissions Interference Statement

Compliance of this equipment is confirmed by the following certification numbers that are placed on the equipment:

Notice: The term "FCC ID:" and "IC:" before the certification number signifies that FCC and Industry Canada technical specifications were met. The FCC ID: and IC: numbers listed below are for the WiFi module that was certified as a Limited Modular Approval.

FCC ID: R33C4LGWM
IC: 7848A-C4LGWM

The end user equipment that contains the certified WiFi module are labeled with the following on the outside of the equipment:

Contains FCC ID: R33C4LGWM
Contains IC: 7848A-C4LGWM

This equipment must be installed by qualified professionals or contractors in accordance with FCC Part 15.203 & IC RSS-210, Antenna Requirements. Do not use any antenna other than the one provided with the unit.

FCC Partie 15, sous-partie C / RSS-210 Déclaration volontaire des émissions interférences

Conformité de cet appareil est confirmé par les chiffres de certification suivants qui sont placés sur l'équipement:

Avis: Le terme «FCC ID:» et "IC:» devant le numéro de certification signifie que les spécifications techniques de la FCC et d'Industrie Canada ont été respectées. La FCC ID: et IC: numéros



indiqués ci-dessous sont pour le module WiFi qui a été certifiée en tant que Approbation limitée modulaire.

FCC ID: R33C4LGWM
IC: 7848A-C4LGWM

L'équipement d'utilisateur final qui contient le module WiFi certifiée sont marqués par le suivant à l'extérieur de l'objet:

Contient ID FCC: R33C4LGWM
Contient IC: 7848A-C4LGWM

Cet équipement doit être installé par des professionnels qualifiés ou entrepreneurs conformément aux normes FCC partie 15.203 & IC RSS-210, Exigences d'antenne. Ne pas utiliser une antenne autre que celui fourni avec l'appareil.

RF Radiation Exposure Statement

This equipment complies with the FCC/IC radiation exposure limits set fourth for portable transmitting devices operation in an uncontrolled environment. End users must follow the specific operating instructions to satisfy RF exposure compliance.

- The equipment should only be used or installed at locations where there is normally greater than a 20cm separation between the antenna and all persons.
- This transmitter must not be co-located or operation in conjunction with any other antenna or transmitter.
- Any changes or modifications not expressly approved by the party responsible for compliance could void the user's authority to operate this equipment.

Déclaration d'exposition aux radiations RF

Cet équipement est conforme aux limites FCC / IC d'exposition aux rayonnements définies quatrième opération appareils portables transmettre dans un environnement non contrôlé. Les utilisateurs finaux doivent suivre les instructions de fonctionnement spécifiques pour satisfaire la conformité aux expositions RF.

- L'équipement ne doit être utilisé ou installé à des endroits où il est normalement supérieure à une séparation de 20 cm entre l'antenne et toute personne.
- Cet émetteur ne doit pas être co-localisés ou fonctionnement en conjonction avec une autre antenne ou un autre émetteur.
- Tout changement ou modification non expressément approuvé par la partie responsable de la conformité pourraient annuler l'autorité de l'utilisateur à utiliser cet équipement.



European Compliance

Conformity of the equipment with the guidelines below is attested by the application of the CE mark.



CE Declaration of Conformity

Manufacturer's Name: CONTROL4 CORPORATION
Manufacturer's Address: 11734 S. ELECTION ROAD SUITE 200
SALT LAKE CITY
UT 84020 USA

EU Representative Name: CONTROL4 EMEA LIMITED
EU Representative Address: UNIT3, GREEN PARK BUSINESS CENTRE
SULTON-ON-THE FOREST
YORK YO61 IET, UNITED KINGDOM

Product Name(s): In-Wall Touch Screen
Brand: Contol4
Model(s): C4-WALL7-XX & C4-WALL10-XX

Product Standard(s) to which Conformity of the Council Directive(s) is declared:

EMC - 2004/108/EC "Electromagnetic Compatibility (EMC) Directive":
(Emissions) EN 55022:2010, **(Immunity)** EN 55024:2010, EN 301 489-1 V1.9.2 (2011-09), EN 301 489-17 V2.2.1 (2012-09), EN 61000-3-2:2006 + A1:2009 + A2:2009 & EN 61000-3-3:2008

Safety – 206/95/EC "Low Voltage Directive (LVD)":
EN 60950-1:2006/A11:2009/A1:2010/A12:2011

Telecom & Radio - 1999/5/EC Radio equipment and Telecommunications Terminal Equipment (R&TTE) Directive:
EN 300 328 V1.8.1

RoHS - 2011/65/EU Restriction of the Use of certain Hazardous Substances in Electrical and Electronic Equipment (EEE) & WEEE - 2002/96/EC Waste of Electrical and Electronic Equipment (EEE).

We, the undersigned, hereby declare that the equipment specified above conforms to the above directives and standards. Date of Issue: March 10, 2015

Legal Representative

Signature

Roger Midgley
Sr. Regulatory Compliance Engineer

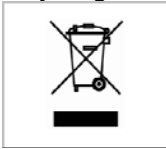


Recycling

Control4 understands that a commitment to the environment is essential for a health life and sustainable growth for future generations. We are committed to supporting the environmental standards, laws, and directives that have been put in place by various communities and countries that deal with concerns for the environment. This commitment is represented by combining technological innovation with sound environmental business decisions.

WEEE Compliance

Control4 is committed to meeting all requirements of the Waste Electrical and Electronic Equipment (WEEE) directive (2002/96/EC). The WEEE directive requires the manufacturers of electrical and electronic equipment who sell in EU countries: (1) label their equipment to notify customers that it needs to be recycled, and (2) provide a way for their products to be appropriately disposed of or recycled at the end of their product lifespan. For collection or recycling of Control4 products, please contact your local Control4 representative or dealer.



About this Document

Copyright © 2015 Control4 Corporation. All rights reserved. Control4 and the Control4 logo are registered trademarks or trademarks of Control4 Corporation in the United States and/or other countries.

Part Number 200-00? Rev A, 3/10/2015



Regulatory Compliance & Safety Information for Control4 Model C4-WALL7-XX & C4-WALL10-XX.

Electrical Safety Advisory
Sécurité électrique consultatif

Important Safety Information

Informations de sécurité importantes

Read the safety instructions before using this product.

Lisez les consignes de sécurité avant d'utiliser ce produit.

1. Read these instructions.
1. Lisez ces instructions.
2. Keep these instructions.
2. Conservez ces instructions.
3. Heed all warnings.
3. Respectez tous les avertissements.
4. Follow all instructions.
4. Suivez toutes les instructions.
5. Do not use this apparatus near water.
5. Ne pas utiliser cet appareil près de l'eau.
6. Clean only with dry cloth.
6. Nettoyez-le uniquement avec un chiffon sec.
7. Do not block any ventilation openings. Install in accordance with the manufacturer's instructions.
7. Ne pas bloquer les ouvertures de ventilation. Installer conformément aux instructions du fabricant.
8. Do not install near any heat sources such as radiators, heat registers, stoves, or other apparatus (including amplifiers) that produce heat.
8. Ne pas installer près de sources de chaleur telles que des radiateurs, registres de chaleur, poêles, ou autres appareils (incluant les amplificateurs) qui produisent de la chaleur.
9. Do not defeat the safety purpose of the polarized or grounding-type plug. A polarized plug has two blades with one wider than the other. A grounding type plug has two blades and a third grounding prong. The wide blade or the third prong is provided for your safety. If the provided plug does not fit into your outlet, consult an electrician for replacement of the obsolete outlet.
9. Ne pas contourner le dispositif de sécurité de la fiche polarisée ou de mise à la terre. Une fiche polarisée possède deux lames dont une plus large que l'autre. Une fiche de terre a



deux lames et une troisième broche de terre. La lame large ou la troisième broche est fournie pour votre sécurité. Si la fiche fournie ne s'adapte pas à votre prise, consultez un électricien pour le remplacement de la prise obsolète.

10. Protect the power cord from being walked on or pinched particularly at plugs, convenience receptacles, and the point where they exit from the apparatus.
10. Protégez le cordon d'alimentation ne soit piétiné ou pincé, en particulier au niveau des fiches, des prises et au point où il sort de l'appareil.
11. Only use attachments/accessories specified by the manufacturer.
11. Utilisez uniquement des fixations / accessoires spécifiés par le fabricant.
12. Use only with the cart, stand, tripod, bracket, or table specified by the manufacturer, or sold with the apparatus. When a cart is used, use caution when moving the cart/apparatus combination to avoid injury from tip-over.
12. Utilisez uniquement avec le chariot, le socle, le trépied, le support ou la table spécifiés par le fabricant ou vendu avec l'appareil. Lorsque vous utilisez un chariot, soyez prudent lorsque vous déplacez l'ensemble chariot / appareil pour éviter des blessures dues au renversement.
13. Unplug this apparatus during lightning storms or when unused for long periods of time. This equipment uses AC power which can be subjected to electrical surges, typically lightning transients which are very destructive to customer terminal equipment connected to AC power sources. The warranty for this equipment does not cover damage caused by electrical surge or lightning transients. To reduce the risk of this equipment becoming damaged it is suggested that the customer consider installing a surge arrester.
13. Débranchez cet appareil pendant les orages ou lorsqu'il n'est pas utilisé pendant de longues périodes de temps. Cet équipement utilise la puissance AC qui peuvent être soumis à des surtensions électriques, la foudre généralement transitoires qui sont très destructives envers les équipements terminaux connectés à des sources d'alimentation CA. La garantie de cet appareil ne couvre pas les dommages causés par les surtensions électriques ou transitoires de foudre. Pour réduire le risque de cet équipement devient endommagé, il est suggéré que le client envisager l'installation d'un limiteur de surtension.
14. Refer all servicing to qualified service personnel. Servicing is required when the apparatus has been damaged in any way, such as power-supply cord or plug is damaged, liquid has been spilled or objects have fallen into the apparatus, the apparatus has been exposed to rain or moisture, does not operate normally, or has been dropped.
14. Confiez toutes les réparations à un personnel qualifié. Une réparation est nécessaire lorsque l'appareil a été endommagé de quelque façon que ce soit le cordon d'alimentation ou la fiche est endommagé, du liquide a été renversé ou si des objets sont tombés dans l'appareil, l'appareil a été exposé à la pluie ou à l'humidité, ne fonctionne pas normalement, ou s'il est tombé.
15. Use the circuit breaker to disconnect the apparatus from the AC mains. The circuit breaker shall remain readily accessible.
15. Utiliser le disjoncteur pour déconnecter l'appareil de l'alimentation secteur. Le disjoncteur doit rester facilement accessible.
16. To completely disconnect unit power from the AC mains, turn off the circuit breaker. To reconnect power, turn on the circuit breaker following all safety instructions and guidelines.

16. Pour couper entièrement l'alimentation appareil de l'alimentation secteur, éteignez le disjoncteur. Pour rétablir le courant, mettez le disjoncteur après les consignes de sécurité et des lignes directrices.
17. This product relies on the buildings installation for short-circuit (overcurrent) protection. Ensure that the protective device is rated not greater than: 20A.
17. Ce produit repose sur l'installation des bâtiments pour les courts-circuits (surintensité) de protection. Assurez-vous que le dispositif de protection est assignée ne dépassant pas: 20A.
18. **CAUTION:** As with all batteries, there is a risk of explosion or personal injury if the battery is replaced by an incorrect type. Dispose of used battery according to the instructions of the battery manufacturer and applicable environmental guidelines. Do not open, puncture or incinerate the battery, or expose it to conducting materials, moisture, liquid, fire or heat above 54° C or 130° F.
18. **ATTENTION:** Comme avec toutes les batteries, il ya un risque d'explosion ou de blessure si la batterie est remplacée par un type incorrect. Éliminez les batteries usagées selon les instructions du fabricant de la batterie et applicables des directives environnementales. Ne pas ouvrir, percer ou incinérer la batterie, ou de l'exposer à des matériaux conducteurs, de l'humidité, du liquide, un incendie ou une température supérieure à 54 ° C ou 130 ° F.
19. Never push objects of any kind into this product through cabinet slots as they may touch dangerous voltage points or short out parts that could result in fire or electric shock.
19. N'introduisez jamais d'objets d'aucune sorte dans ce produit à travers les fentes du boîtier car ils pourraient toucher des points de tension dangereux ou court-circuiter des pièces qui pourraient entraîner un incendie ou un choc électrique.
20. This product can interfere with electrical equipment such as tape recorders, TV sets, radios, computers and microwave ovens if placed in close proximity.
20. Ce produit peut interférer avec des appareils électriques tels que les magnétophones, téléviseurs, radios, ordinateurs et fours à micro-ondes si placés à proximité.



The lightning flash and arrow head within the triangle is a warning sign alerting you of dangerous voltage inside the product
L'éclair et la flèche dans le triangle est un signe d'alerte pour vous avertir d'une tension dangereuse à l'intérieur du produit



Caution: To reduce the risk of electric shock, do not remove cover (or back). No user serviceable parts inside. Refer servicing to qualified service personnel.
Attention: Pour réduire le risque de choc électrique, ne pas retirer le couvercle (ou l'arrière). Aucune pièce réparable par l'utilisateur. Confiez l'entretien à un personnel qualifié.



The exclamation point within the triangle is a warning sign alerting you of important instructions accompanying the product.
Le point d'exclamation dans un triangle est un signe d'avertissement vous signale des instructions importantes accompagnant le produit.

See marking on bottom / back of product
Voir le marquage sur les bas / dos du produit



Warning!: To reduce the risk of electrical shock, do not expose this apparatus to rain or moisture

AVERTISSEMENT! Pour réduire le risque de choc électrique, n'exposez pas cet appareil à la pluie ou à l'humidité.

Save these instructions
Conservez ces instructions

Compliance of this equipment is confirmed by the following label that is placed on the equipment:
Conformité de cet appareil est confirmé par le symbole suivant qui est placé sur l'équipement:



USA & Canada Compliance

FCC Part 15, Subpart B Unintentional Emissions Interference Statement

This equipment has been tested and found to comply with the limits for a Class B digital device, pursuant to Part 15 of the FCC rules. These limits are designed to provide reasonable protection against harmful interference when the equipment is operated in a residential installation. This equipment generates uses and can radiate radio frequency energy and, if not installed and used in accordance with the instructions, may cause harmful interference to radio communications. However, there is no guarantee that interference will not occur in a particular installation. If this equipment does cause harmful interference to radio or television reception, which can be determined by turning the equipment off and on, the user is encouraged to try to correct the interference by one or more of the following measures:

- Reorient or relocate the receiving antenna.
- Increase the separation between the equipment and receiver.
- Connect the equipment into an outlet on a circuit different from that to which the receiver is connected.
- Consult the dealer or an experienced radio/TV technician for help.

FCC Partie 15, sous-section B Unintentional Déclaration sur les interférences des émissions

Cet équipement a été testé et jugé conforme aux limites établies pour un dispositif numérique de classe B, conformément à la Partie 15 des règlements de la FCC. Ces limites sont conçues pour fournir une protection raisonnable contre les interférences nuisibles lorsque l'équipement est utilisé dans une installation résidentielle. Cet équipement génère, utilise et peut émettre de l'énergie rayonnent fréquence et, s'il n'est pas installé et utilisé conformément aux instructions, il peut causer des interférences nuisibles aux communications radio. Cependant, il n'existe aucune garantie que des interférences ne se produiront pas dans une installation particulière. Si cet équipement provoque des interférences nuisibles à la réception radio ou télévision, ce qui peut



être déterminé en mettant l'équipement hors et sous tension, l'utilisateur est encouragé à essayer de corriger l'interférence par une ou plusieurs des mesures suivantes:

- Réorienter ou déplacer l'antenne de réception.
- Augmenter la distance entre l'équipement et le récepteur.
- Connecter l'équipement à une prise sur un circuit différent de celui sur lequel le récepteur est branché.
- Consulter le revendeur ou un technicien radio / télévision qualifié pour obtenir de l'aide.

This device complies with part 15 of the FCC rules and Industry Canada's licence-exempt RSS-GEN. Operation is subject to the following two conditions: (1) This device may not cause harmful interference, and (2) this device must accept any interference received, including interference that may cause undesired operation.

Le présent appareil est conforme partie 15 des règles de la FCC et aux RSS-GEN d'Industrie Canada applicables aux appareils radio exempts de licence. L'exploitation est autorisée aux deux conditions suivantes : (1) l'appareil ne doit pas produire de brouillage, et (2) l'utilisateur de l'appareil doit accepter tout brouillage radioélectrique subi, même si le brouillage est susceptible d'en compromettre le fonctionnement.

IMPORTANT! Any changes or modifications not expressly approved by the party responsible for compliance could void the user's authority to operate this equipment.

IMPORTANT! Tous les changements ou modifications pas expressément approuvés par la partie responsable de la conformité ont pu vider l'autorité de l'utilisateur pour actionner cet équipement.

FCC Part 15, Subpart C / RSS-210 Intentional Emissions Interference Statement

Compliance of this equipment is confirmed by the following certification numbers that are placed on the equipment:

Notice: The term "FCC ID:" and "IC:" before the certification number signifies that FCC and Industry Canada technical specifications were met. The FCC ID: and IC: numbers listed below are for the WiFi module.

FCC ID: R33C4WALL5G
IC: 7848A-C4LGWM

This equipment must be installed by qualified professionals or contractors in accordance with FCC Part 15.203 & IC RSS-210, Antenna Requirements. Do not use any antenna other than the one provided with the unit.

FCC Partie 15, sous-partie C / RSS-210 Déclaration volontaire des émissions interférences

Conformité de cet appareil est confirmé par les chiffres de certification suivants qui sont placés sur l'équipement:

Avis: Le terme «FCC ID:" et "IC:" devant le numéro de certification signifie que les spécifications techniques de la FCC et d'Industrie Canada ont été respectées. La FCC ID: et IC: numéros



indiqués ci-dessous sont pour le module WiFi qui a été certifiée en tant que Approbation limitée modulaire.

FCC ID: R33C4WALL5G
IC: 7848A-C4LGWM

Cet équipement doit être installé par des professionnels qualifiés ou entrepreneurs conformément aux normes FCC partie 15.203 & IC RSS-210, Exigences d'antenne. Ne pas utiliser une antenne autre que celui fourni avec l'appareil.

RF Radiation Exposure Statement

This equipment complies with the FCC/IC radiation exposure limits set fourth for portable transmitting devices operation in an uncontrolled environment. End users must follow the specific operating instructions to satisfy RF exposure compliance.

- The equipment should only be used or installed at locations where there is normally greater than a 20cm separation between the antenna and all persons.
- This transmitter must not be co-located or operation in conjunction with any other antenna or transmitter.
- Any changes or modifications not expressly approved by the party responsible for compliance could void the user's authority to operate this equipment.

Déclaration d'exposition aux radiations RF

Cet équipement est conforme aux limites FCC / IC d'exposition aux rayonnements définies quatrième opération appareils portables transmettre dans un environnement non contrôlé. Les utilisateurs finaux doivent suivre les instructions de fonctionnement spécifiques pour satisfaire la conformité aux expositions RF.

- L'équipement ne doit être utilisé ou installé à des endroits où il est normalement supérieure à une séparation de 20 cm entre l'antenne et toute personne.
- Cet émetteur ne doit pas être co-localisés ou fonctionnement en conjonction avec une autre antenne ou un autre émetteur.
- Tout changement ou modification non expressément approuvé par la partie responsable de la conformité pourraient annuler l'autorité de l'utilisateur à utiliser cet équipement.



European Compliance

Conformity of the equipment with the guidelines below is attested by the application of the CE mark.



CE Declaration of Conformity

Manufacturer's Name: CONTROL4 CORPORATION
Manufacturer's Address: 11734 S. ELECTION ROAD SUITE 200
SALT LAKE CITY
UT 84020 USA

EU Representative Name: CONTROL4 EMEA LIMITED
EU Representative Address: UNIT3, GREEN PARK BUSINESS CENTRE
SULTON-ON-THE FOREST
YORK YO61 IET, UNITED KINGDOM

Product Name(s): In-Wall Touch Screen
Brand: Contol4
Model(s): C4-WALL7-XX & C4-WALL10-XX

Product Standard(s) to which Conformity of the Council Directive(s) is declared:

EMC - 2004/108/EC "Electromagnetic Compatibility (EMC) Directive":
(Emissions) EN 55032:2012, **(Immunity)** EN 55024:2010, EN 301 489-1 V1.9.2 (2011-09), EN 301 489-17 V2.2.1 (2012-09), EN 61000-3-2:2006 + A1:2009 + A2:2009 & EN 61000-3-3:2008

Safety – 206/95/EC "Low Voltage Directive (LVD)":
EN 60950-1:2006/A11:2009/A1:2010/A12:2011

Telecom & Radio - 1999/5/EC Radio equipment and Telecommunications Terminal Equipment (R&TTE) Directive:
EN 300 328 V2.1.1 & EN 301 893 V2.1.1

RoHS - 2011/65/EU Restriction of the Use of certain Hazardous Substances in Electrical and Electronic Equipment (EEE) & WEEE - 2002/96/EC Waste of Electrical and Electronic Equipment (EEE).

We, the undersigned, hereby declare that the equipment specified above conforms to the above directives and standards. Date of Issue: April 23, 2018

Legal Representative

Signature

Roger Midgley
Sr. Regulatory Compliance Engineer



Recycling

Control4 understands that a commitment to the environment is essential for a health life and sustainable growth for future generations. We are committed to supporting the environmental standards, laws, and directives that have been put in place by various communities and countries that deal with concerns for the environment. This commitment is represented by combining technological innovation with sound environmental business decisions.

WEEE Compliance

Control4 is committed to meeting all requirements of the Waste Electrical and Electronic Equipment (WEEE) directive (2002/96/EC). The WEEE directive requires the manufacturers of electrical and electronic equipment who sell in EU countries: (1) label their equipment to notify customers that it needs to be recycled, and (2) provide a way for their products to be appropriately disposed of or recycled at the end of their product lifespan. For collection or recycling of Control4 products, please contact your local Control4 representative or dealer.



About this Document

Copyright © 2018 Control4 Corporation. All rights reserved. Control4 and the Control4 logo are registered trademarks or trademarks of Control4 Corporation in the United States and/or other countries.

Part Number 200-00414 Rev A, 4/23/2018