



# CANTHERM

Supplying high-quality bimetal and thermal sensor products.

## CFW Precision NTC Thermistor Probes for Temperature Measurement

The CFW series NTC Thermistors are supplied in 5 basic styles of enclosures designed to facilitate installation in a wide variety of applications. PVC leads are applied to a precision, high-reliability NTC thermistor, insulated with heat conductive water resistant materials and potted into any of a wide variety of probe bodies. CFW thermistors are also available with custom housings or custom lead lengths for remote sensing and temperature control in difficult conditions.



### Application

- Heating, Ventilation & Air Conditioning
- Temperature Regulation and Measurement
- Automotive Electronics
- Water Heaters
- Household Appliances such as refrigerators, water coolers, dishwashers and many others

### Characteristics

- Wide variety of installation fixtures and probes are available to suit your needs.
- Small size and fast response (temperature coefficient of resistance can reach- (2~5%/°C)
- Long-term Stability and Reliability (yearly drift of  $\leq 1\%$ )
- Excellent Tolerance and Interchangeability (the accuracy of R and B value can be  $\pm 1\%$ )
- Double layer packaging provides excellent insulation and high strength and impact resistance.
- Dissipation Constant type 1 package  $\geq 2.0\text{mW}/^\circ\text{C}$ , type 2 package  $\geq 4.0\text{mW}/^\circ\text{C}$
- Time Constant of  $\leq 15\text{S}$  to  $70\text{S}$



**CANTHERM**

8415 Mountain Sights Avenue • Montreal (Quebec), H4P 2B8, Canada

Tel: (514) 739-3274 • 1-800-561-7207 • Fax: (514) 739-2902

E-mail: sales@cantherm.com • Website: www.cantherm.com

2006/Mar



# CAN THERM

Supplying high-quality bimetal and thermal sensor products.

## ➤ Dimensions (mm)



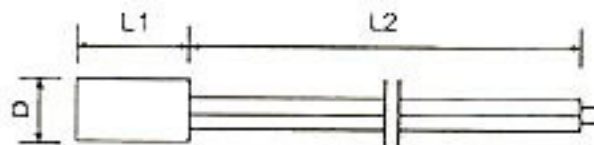
Ethoxyline Resin Coated

Code	A	B	C	D
D	3	5	6	7
L1	5	10	15	15
L2	Customer Specified			

### CWF1 (Ethoxyline dipped)

**Characteristics:** Moisture resistant, good insulation, high reliability, small time constant, quick responses.

**Applications:** Household air-conditioning, refrigeration and many others.



Packaged in Aluminum, Copper, or Stainless Steel Housing

Code	A	B	C	D	E	F	G
D	3	5	5	5	6	6	6
L1	20	20	25	30	20	25	30
L2	Customer Specified						

### CWF2 (Packaged in aluminum, copper, or stainless steel probe body)

**Characteristics:** High resistance to thermal shock, moisture resistant, strong and secure structure, high dissipation coefficient, the test current can be higher than that of the ethoxyline resin-package.

**Applications:** All kinds of refrigeration, air-conditioning, water heaters, drinking fountains, and more.



**CAN THERM**

8415 Mountain Sights Avenue • Montreal (Quebec), H4P 2B8, Canada

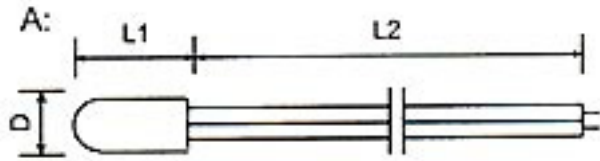
Tel: (514) 739-3274 • 1-800-561-7207 • Fax: (514) 739-2902

E-mail: sales@cantherm.com • Website: www.cantherm.com

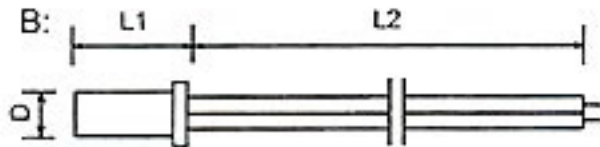


# CANTHERM

Supplying high-quality bimetal and thermal sensor products.



Code	A	B	C	D
D	3	3.5	4	5
L1	10	15	15	15
L2	Customer Specified			



Code	A	B
D	8	8
L1	35	50
L2	Customer Specified	

## CWF3 (Plastic body)

**Characteristics:** Good dimensional tolerances, good heat resistance and moisture protection, high voltage resistance.

**Applications:** All kinds of Air-conditioning, refrigeration, and more.



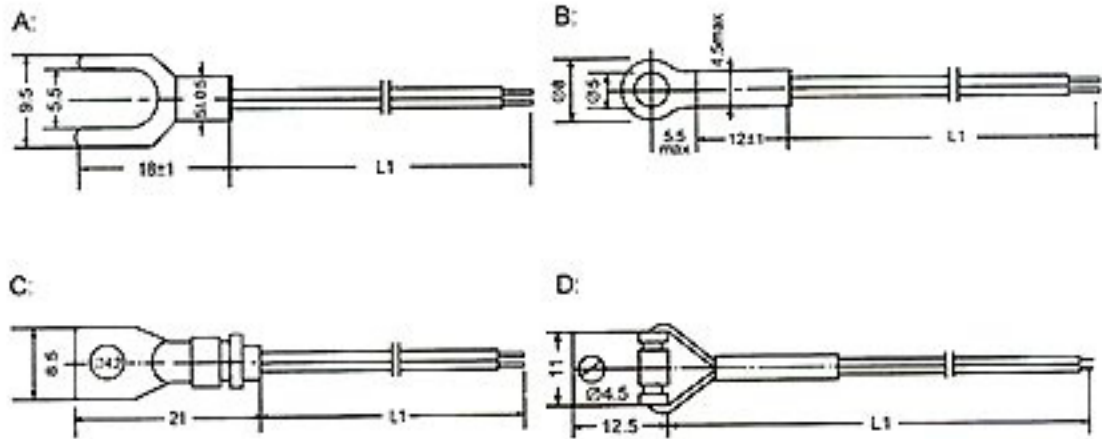
**CANTHERM**

8415 Mountain Sights Avenue • Montreal (Quebec), H4P 2B8, Canada  
 Tel: (514) 739-3274 • 1-800-561-7207 • Fax: (514) 739-2902  
 E-mail: sales@cantherm.com • Website: www.cantherm.com



# CANTHERM

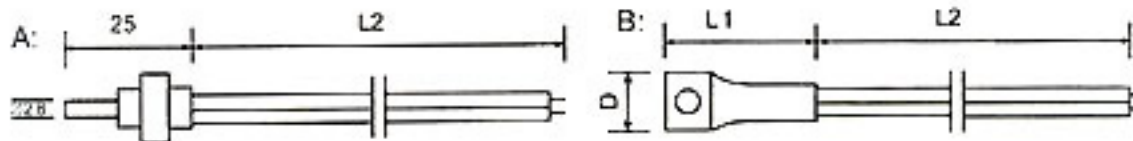
Supplying high-quality bimetal and thermal sensor products.



## CWF4 (Sheet metal attachment fixtures)

**Characteristics:** Wide variety of fixtures, suitable for most applications.

**Applications:** Fan control, industrial temperature controllers, and more.



## CWF5 (Special probes)

**Characteristics:** Small time constant, fast response, flexible and secure.

**Applications:** Water heaters, electronic thermometers, and more.



**CANTHERM**

8415 Mountain Sights Avenue • Montreal (Quebec), H4P 2B8, Canada  
Tel: (514) 739-3274 • 1-800-561-7207 • Fax: (514) 739-2902  
E-mail: sales@cantherm.com • Website: www.cantherm.com



# CANTHERM

Supplying high-quality bimetal and thermal sensor products.

## Specification

**CWF**      **□ — 103**      **J**      **3380**  
 ①              ②              ③              ④              ⑤

- ① NTC Temp sensor
- ② Package Option
  - 1- Dipped ethoxyline resin
  - 2- Aluminum, copper, or stainless steel housing
  - 3- Plastic body
  - 4- Sheet metal attachment fixtures
  - 5- Special probes
- ③ The Rated Resistance at 25°C  
Example: 103 =  $10 \times 103 = 10000\Omega = 10K\Omega$
- ④ The Precision Symbol of Rated Resistance  
F:  $\pm 1\%$  G:  $\pm 2\%$  H:  $\pm 3\%$  J:  $\pm 5\%$
- ⑤ B value (25/50°C) B value example: 3380K

## Main Techno-Parameter

Part No.	Rated Resistance $R_{25}$		B Value (25/50°C)		Dissi. Coef. (mW/°C)	Thermal time Constant (S)	Operating Temp. (°C)
	Range (K $\Omega$ )	Allowable Tolerance (%)	(K)	Allowable Tolerance (%)			
CWF□□□3100	0.1-20		3100				
CWF□□□3270	0.2-20		3270				
CWF□□□3380	0.5-50	+/- 1	3380			To type 1 package $\leq 15$	
CWF□□□3470	0.5-50		3470				
CWF□□□3600	1-100	+/- 2	3600	+/- 1	To type 1 package $\geq 2.0$		-55 to +125
CWF□□□3950	5-100		3950				
CWF□□□4000	5-100		4000	+/- 2			
CWF□□□4050	5°-200	+/- 3	4050		To type 2 package $\geq 4.0$	To type 2 package $\leq 70$	
CWF□□□4150	10-250		4150				
CWF□□□4300	20-1000	+/- 4	4300				
CWF□□□4500	20-1000		4500				



**CANTHERM**

8415 Mountain Sights Avenue • Montreal (Quebec), H4P 2B8, Canada  
 Tel: (514) 739-3274 • 1-800-561-7207 • Fax: (514) 739-2902  
 E-mail: sales@cantherm.com • Website: www.cantherm.com