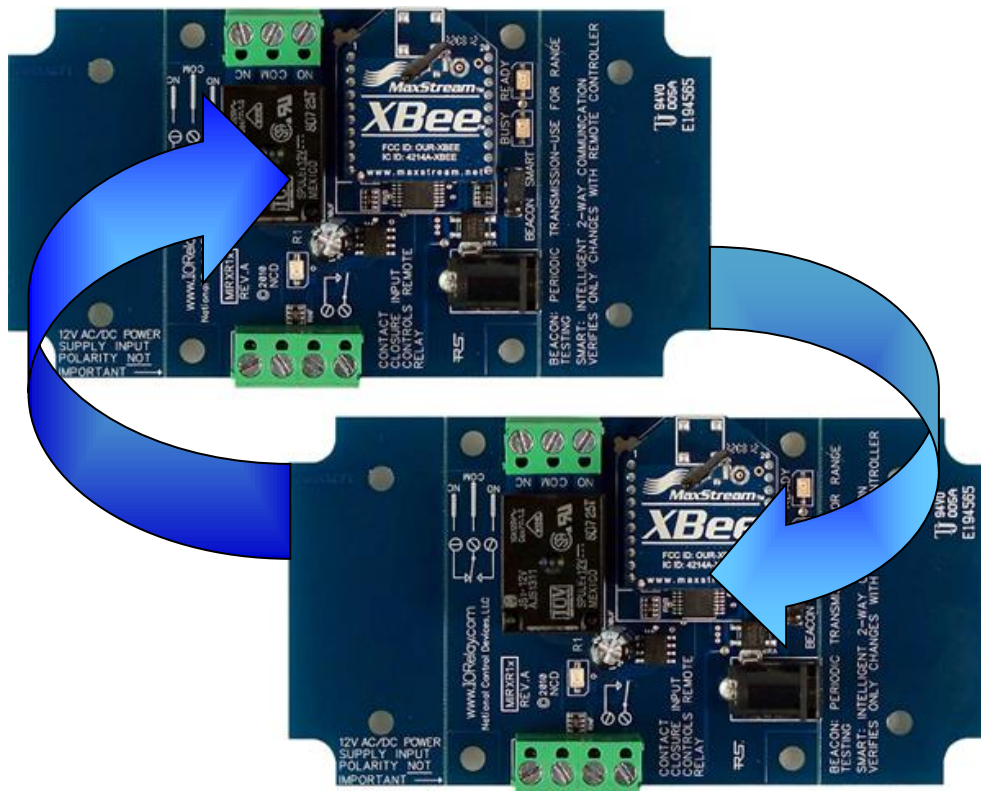


# NATIONAL CONTROL DEVICES

## MirX Wireless Quick Start Guide



**Relay Pair Series-*Wireless***

NATIONAL CONTROL DEVICES

**MirX**

**Relay Pair Series-*Wireless***

---

National Control Devices, LLC  
PO Box 455  
Osceola, MO 64776  
Phone 417.646.5644 • Fax (866) 562-0406

© Copyright 2013  
All Rights Reserved.  
Notice: Portions of this manual require internet access.

---

# Table of Contents

Introduction .....	1
Hardware Reference .....	4
Receiver Diagram .....	6
Break Away Tabs.....	7
Understanding Inputs.....	8
Understanding Relays .....	10
Relay Logic .....	12
Electrical Specifications.....	15
Troubleshooting .....	17
Technical Support .....	<b>Error! Bookmark not defined.</b>
Contact Information.....	<b>Error! Bookmark not defined.</b>
Notice: .....	<b>Error! Bookmark not defined.</b>

## **Introduction**

The MirX Series relay controllers represent a significant advancement in the evolution of the NCD product line. The MirX Series controllers represent a new form of products for our customers who are not electronic engineers but still have Electronic applications they would like to complete. These controllers are the simplest controllers we have ever developed. They are as easy as wiring up the devices and pushing a button. No programming or configuring is required. However, you can extend the functionality of these controllers by using them in conjunction with our Reactor controllers. In this way, MirX controllers can be used with triggers and other functions. It may also be triggered by sensory input when used in conjunction with a Reactor controller.

Currently the MirX Series controllers are offered in two versions. The first version offers wireless capability in various distances including long-range, while the second version offers security encrypted wireless capability in short-range.

The MirX Series are our second line of controllers to offer Autonomous Relay Control (logical control based on inputs without a computer). This new architecture allows remote control of relays without writing a single line of code. The MirX Series are manufactured using Surface Mount Technology. A Break-Away design has been implemented to meet the requirements of customers who need an enclosure AND to customers who need the smallest possible size. Break-Away tabs allow the user to “break” off the outer edges of the circuit board for a smaller profile. The MirX Series relay controllers represent the future direction of the NCD product line.

### ***Who Is Qualified to Use the MirX Series?***

Anyone. The MirX Series Controllers are the most consumer-friendly devices we have ever manufactured. Whether you are an electronics engineer or home hobbyist, anyone is qualified to use the MirX Series controller *provided* this manual is carefully studied.

### ***How do the MirX Series Controllers Work?***

MirX controllers are sold in pairs. Contact closure devices such as buttons and switches attached to inputs on the first controller will trigger relays on the second controller and Vice Versa.

### ***Order of Operations***

- Contact closures are read on one controller
- Data is sent to other controller to turn on or off relays
- Remote device replies back
- Busy light flashes to confirm data was received at the other end

### **Wireless Application Information**

#### ***What Type of Range can Users Expect?***

There are three wireless range options with the MirX controllers:

- 300 Feet (802.15.4 Communication Technology, Short Range Line of Site)
- 300 Feet (Bluetooth Communication Technology, Security Encrypted Short Range Line of Site)
- 1 Mile (802.15.4 Communication Technology Medium Range Line of Site)
- 2 Mile (XSC Communication Technology, Long Range Line of Site, Two Small Antennas)
- 15 Miles (XSC Communication Technology Long Range Line of Site, Requires Two Large Roof-Mounted Antennas)

These ranges are based on a clear line of site between MirX controllers/antennas, meaning obstacles such as trees, buildings and walls may limit these ranges slightly. World Wide Range is also available with the Ethernet MirX. The controllers can communicate to each other from anywhere in the world as long as there is Internet Connection at both locations.

#### ***Can the Range be Extended?***

Because MirX devices do not interfere with other MirX devices, it is possible to link multiple MirX devices in a chain configuration to cover long distances.

#### ***Multiple MirX Pairs?***

Multiple MirX controllers can be used in one location. One Pair of MirX controllers will not interfere with another MirX pair as they are isolated through the way we designed them. MirX devices are paired together before shipment and will only communicate to each other, for this reason they will not interfere with other MirX controllers.

### ***Learning Cycle***

1. Hardware Reference (getting to know the hardware)
2. Understanding Relay Control
3. Connecting Contact Closure devices to a MirX
4. Controlling Devices with a MirX
5. Troubleshooting a MirX Controller

### ***Usage Cycle***

1. Attach Power
2. Input Connection
3. External Device connection to Relay
4. Test Range and Functionality in your Environment.

### ***Getting Started***

There is no better place to start than from the beginning. This manual will lead you through the understanding and use of your MirX Series relay controllers in a sequence that will help get you started from the ground up.

**This manual will guide you through the setup and use of the wireless MirX Series relay controllers. Following this manual in the sequence outlined is absolutely essential to proper understanding and use of MirX Series Controllers.**

**Please review the entire manual BEFORE contacting NCD technical support. NCD technical support staff will direct your questions to this manual when applicable.**

## Hardware Reference

There are many versions of the MirX Series relay controllers; however, there are many common elements that are shared among controllers. Most notably, the MirX CPU is identical whether you are using 1-Channel Long Range MirX controllers or 8-Channel Short Range MirX controllers. All MirX controllers share the exact same firmware with absolutely NO differences in firmware revisions. This greatly reduces manufacturing time and troubleshooting while allowing our customers a migration path to different communication technologies as required.

MirX controllers use different Communication Technologies giving them ranges of 300 Feet (*Short Range*), 1 Mile, 2 Miles, and up to 15 Miles (*Long Range*), or World Wide (*Ethernet MirX*)!

### Power Requirements

MirX controllers require a 12VAC or 12VDC power supply to power the logic and relays of the controller. The PWR12 is our stock power supply suitable for use with ALL MirX Series controllers. While it is possible to operate from an automotive 13.8V power supply, higher voltages are not recommended. Additional power filtering may be required for proper operation in automotive electrical systems. The absolute minimum recommended operating voltage is 11VAC or 11VDC. MirX controllers require approximately 100ma for standby and 60ma for each activated relay. Communication Modules may require up to an additional 240 ma, this is documented on the Electrical Specifications Page.

Power polarity is not important on the MirX Series controllers. There is no positive and negative terminal. Simply apply power to the controller as it is convenient to make wired connections. The MirX controller will rectify your power supply and attempt to filter noise to safe levels for proper operation.

### **Temperature Requirements**

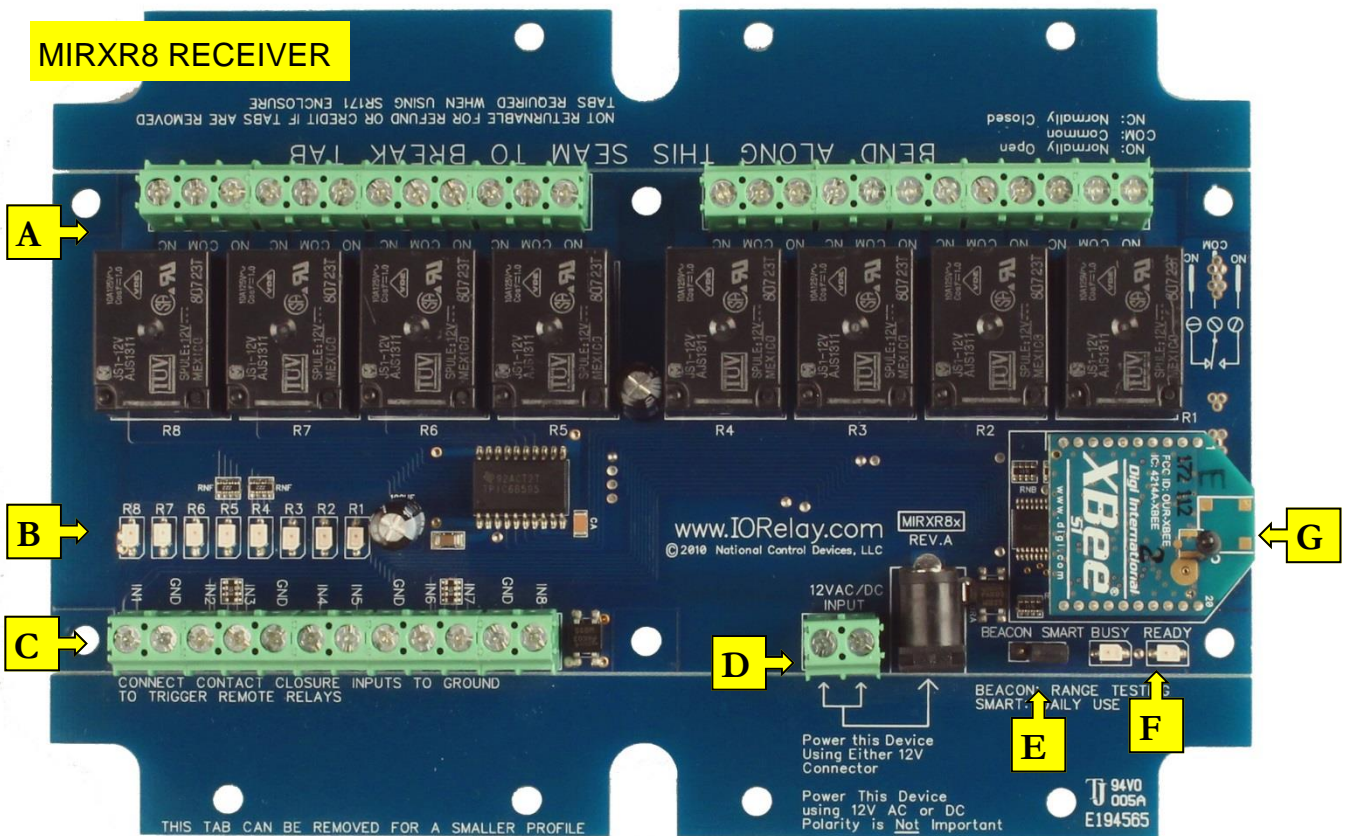
Certain components of a MirX controller may run at temperatures exceeding 120° Degrees Fahrenheit. This is normal for a MirX controller and does not indicate a defect.

The recommended operating temperature for all MirX controllers is  $-25^{\circ}$  to  $80^{\circ}$  C. This temperature rating is based on temperature specifications of the components used to build a MirX controller, and is not based on actual testing. We have speculated that MirX controllers may be able to withstand lower temperatures due to the fact that MirX controllers tend to have hot components in critical areas of the design.



## Receiver Diagram

- A. MirX Controllers are equipped with 1, 2, 4, or 8 Relay Outputs. Relays are simply switches. They DO NOT provide a voltage output, but they will switch the voltage you apply to the relay connections. Please [Click Here](#) to see a list of relays and ratings that are commonly supported by the NCD product line (note: not all relays may be supported at this time, relay support will grow as the MirX product line grows).
- B. Status LEDs indicate which relays are currently active.
- C. Inputs are capable of reading switches, buttons and other contact closure devices such as many motion detectors.. These input serve as the command points for the remote MirX controller.
- D. MirX Controllers include a 2.1mm Barrel Connector AND a 2-Position Screw Terminal. Use either connector to provide 12V power to the MirX Controller. MirX controllers are compatible with 12V AC or DC power supplies with a actual voltage output of 11 to 13.8V. Polarity is corrected by the MirX controller, therefore, a Positive and Negative terminal are NOT labeled on the board (it is not possible to connect power backwards to MirX controllers, the MirX controllers will automatically correct polarity).
- E. Beacon/Smart Mode Jumper is used to switch the controllers from Beacon Mode (good for range testing) to Smart Mode (recommended for day to day function)
- F. The BUSY/READY LEDs indicate CPU activity. Flashing Busy LED signifies VALID data has been received from the Remote MirX controller. If busy light never flashes check remote device and range abilities of devices.
- G. Connection Interface



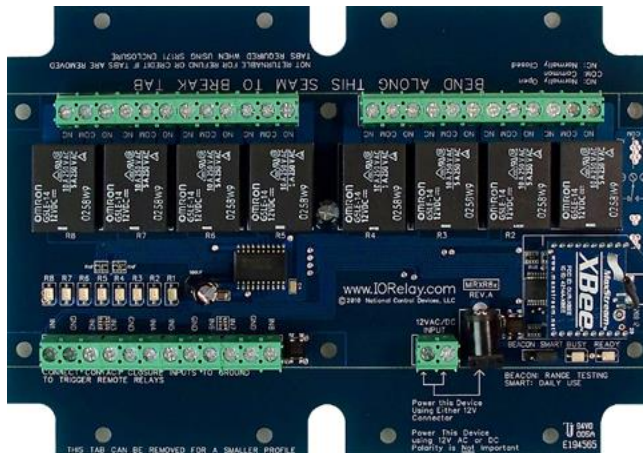
## Break Away Tabs

Physically, most MirX controllers are actually two sizes. When you receive your MirX, the shape and size ensures the MirX can fit into a standard enclosure. Optionally, you can make the controller smaller by breaking away the outer tabs. Break-Away tabs are useful in applications where space may be a concern. This allows your MirX to offer the same functionality in the smallest possible profile. Break-Away tabs are unique to the NCD product line and are a standard option for most devices released in 2010 and later.

Before breaking the tabs on your controller, please be advised that your MirX controller will not be returnable for refund or credit if the Break-Away Tabs have been removed.

To break away the tabs, gently but firmly grab each break-away tab with a pair of pliers and bend the tab back and forth until it breaks away from the main circuit board. This will NOT damage the controller in any way.

Breaking the Tabs from a controller DOES NOT VOID the warranty. Please see the [NCD return policy](#) if you would like more information on the policies that apply to Surface Mount devices.



*MirXR85 is shown above as shipped from National Control Devices. The shape accommodates a standard enclosure. Bend the tabs to break them away from the board. Note that controllers with Broken Tabs are NOT Returnable for Refund or Credit, but are still covered under our 5-Year Limited Warranty.*



*Shown left, the final controller with tabs removed is physically smaller in size, but no longer fits a standard enclosure.*

## Understanding Inputs

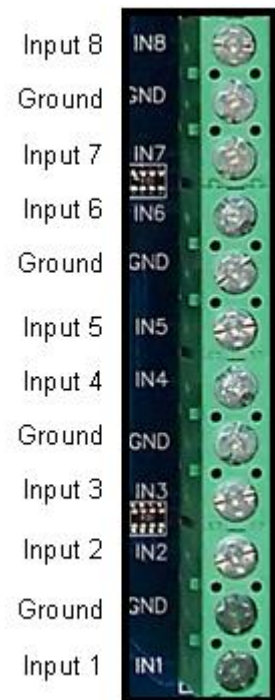
Inputs are capable of reading Contact Closure generating devices such as buttons and switches. A wire connected from the ground terminal to the input terminal would trigger the input, as this would be considered a contact closure.

### **WARNING**

Users must NEVER apply any voltage to an input on the MirX controller; these inputs are for Contact Closure connection only.

MirX Inputs play a vital role in the use of a MirX controller. Before we begin using the controller, it is essential that users understand the role of these inputs. Improper use of these inputs can cause **Irreparable Damage** to the MirX controller, so a firm understanding of these inputs is critical to the longevity of the controller.

A MirX controller has as many inputs as it has relays. So a pair of 2 relay MirX controllers will each have 2 relays and 2 inputs which are used for controlling the relays on the opposite board, the same holds true for 1, 4, and 8 relay versions.



## **Beacon/Smart Mode Jumper**

The Beacon/Smart Mode Jumper is used to change the way communications is handled by the MirX controllers.

### **Beacon Mode**

In Beacon Mode communication is nearly constant, which makes it a good choice for range testing. A controller can be placed in one location and the other MirX controller can be carried to other locations to test range. The busy light flashes constantly if there is good communication between the two MirX controllers. If communication is lost in Beacon mode, relays will remain in their current state and will not automatically turn off. If the busy light stops flashing, the devices are out of range of each other and the distance should be shortened. While Beacon Mode is very good for range testing it does lengthen the amount of time it takes for an input on one board to trigger a relay on the remote board. Beacon mode is **not** recommended for day to day use.

### **Smart Mode**

In Smart mode communication is not as constant as in Beacon Mode; however, Smart Mode does still check for communication with remote device periodically. For this reason, inputs on one MirX controller can trigger relays on the remote MirX controller very fast because input changes are immediately sent to the remote device. If communication is lost in Smart mode for 10 to 15 seconds all relays will go off and communication streams will accelerate to attempt immediate recovery. If this happens, check remote device and range abilities of your MirX controllers. Smart mode also consumes less power than Beacon mode, this along with fast relay triggering is why we recommend Smart mode for everyday use.

Regardless of the Mode you choose, if the busy LED flashes, the two devices are communicating properly. If the Busy LED does not flash at all, the devices are unable to communicate.

### **Beacon vs. Smart Mode Comparison**

<b><i>Beacon Mode:</i></b>	<b><i>Smart Mode:</i></b>
➤ Constant Communication.	➤ Fewer communications between devices.
➤ Good for range testing.	➤ Relays will switch off if communication is lost.
➤ Relays will not switch off if communication is lost.	➤ Lower Power consumption than Beacon mode.
➤ Higher power consumption.	➤ Relay status updates very fast to input changes on remote Board.
➤ Relay Status will update slower to input changes on remote board.	

## Understanding Relays

On the previous page, we introduced the MirX Inputs and how Contact Closures play a key role in triggering Relays on the Remote MirX board. In this section we will continue our focus on the hardware portion of the MirX controller, which brings us to our next topic: *Understanding how the relays work.*

MirX Controllers have 1, 2, 4, or 8 Relays integrated into the circuit board. A relay is similar to a switch. The only difference between a switch and a relay is the actual mechanism for changing the on/off status of the switch. On a switch, you manually push on a piece of metal or plastic to operate the switch. On a relay, an electric current is used to operate the switch. Though a relay resembles the characteristics of a switch, it cannot be controlled by touching it with your finger. So from now on, we will use the word “relay” to indicate a switch that is controlled by the MirX controllers.

Relays do NOT provide a voltage output. They provide a contact closure output, exactly like the terminals found on a light switch at your local hardware store. Wiring to a relay will be slightly different depending on the model of MirX controllers you choose.

Some relays, such as the 5A and 10A versions have screw terminals that can accept 12 Gauge or smaller wire. Other versions such as the 20A and 30A relays have a .250” Quick Connect terminals (the appropriate mating connector can be found at any hardware or automotive supply store).

Again, relays do not provide a voltage output. They ONLY switch whatever voltage you supply into the relay.

Relays are available in SPST, SPDT, and DPDT configurations. In addition, both Mechanical and Solid State relays will be supported by the MirX series controllers. If you are unfamiliar with the different versions of relays available, you can review the [article at this link](#), which explains these relay types in great detail.

The above article will help you determine the best type of relay for your application, showing you the formulas for calculating relays sizes that are appropriate for your application.

If you intend to use the MirX series relay controllers for inductive applications, the [article found here MUST be reviewed](#). An example of an inductive application is any device that involves motion. For instance, using a MirX Controller to control a motor, a solenoid, or a valve. Other types of inductive applications include anything with a transformer such as a fluorescent light or a power transformer of any kind. Logic circuits (including those found on the MirX Controller) may malfunction in sever conditions. The above article will show you how to safely implement these kinds of loads which greatly reduces the chances of a malfunction. Some inductive applications generate excessive noise, and may not be suitable for use with the MirX Series Relay controllers. Solid State MirX Relay Controllers should be considered for these high-noise applications.



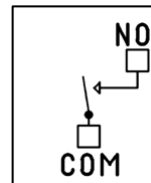
## **Controlling Relays**

There is only one way to control the relays on MirX Series controllers. Relays are triggered by inputs on the opposite board. They may not be triggered in any other way.

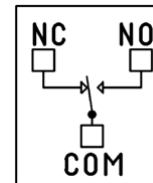
Relay Logic may be used to complete more complex tasks. Please refer to our page on Relay Logic.

## **Wiring Relays**

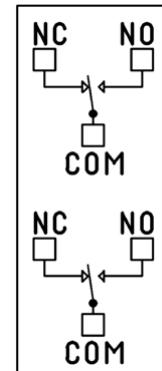
Relays have 2, 3, or 6 connections per relay depending on configuration. SPST, SPDT, and DPDT relays will be supported. Please see the [article at this link](#) for a detailed explanation of these relay types.



SPST Relay



SPDT Relay



DPDT Relay

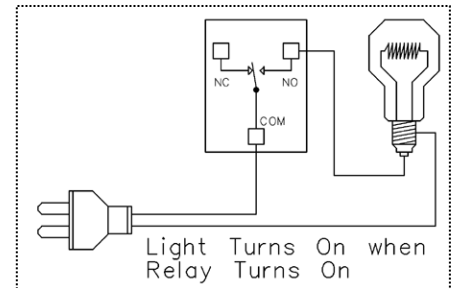
## Relay Logic

### Using Relays to Create Logical Conditions

The MirX Series Relay Controllers offer a great balance of flexibility and easy configuration. However, complex decision making is sometimes outside the scope of a MirX controller. Relay Logic demonstrates easy ways to hard-wire your decisions using a MirX Controller.

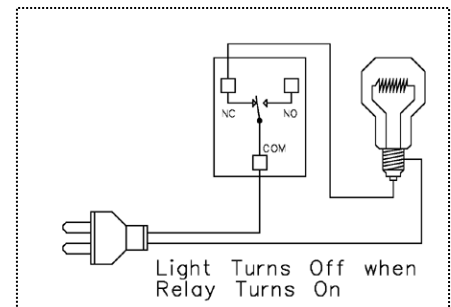
#### Sample 1

This sample demonstrates how a relay can be used to activate a light bulb. When the relay turns on, the light comes on. Only one power wire is switched with this sample using the COM (common) and NO (normally open) connections of a relay.



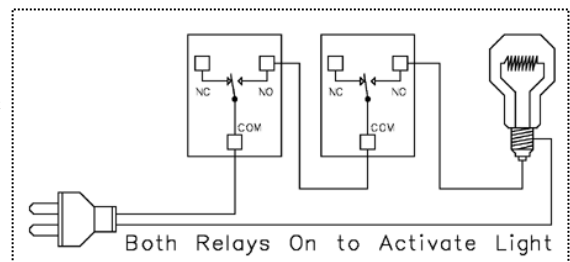
#### Sample 2

This sample demonstrates how a relay can be used to turn a light bulb OFF. When the relay turns off, the light will be ON. Only one power wire is switched in this sample using the COM (common) and NC (normally closed) connections of a relay.



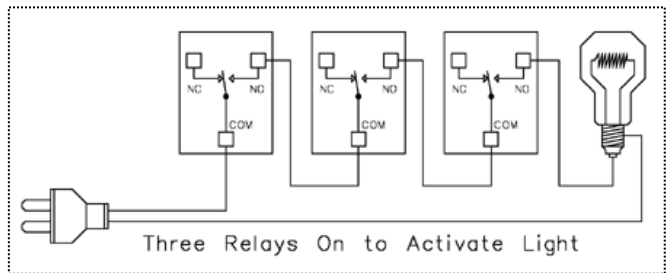
#### Sample 3

This sample demonstrates how two activated relays are required to activate a light bulb. This is the same as a Logic AND function because Relay 1 AND Relay 2 MUST be on to activate the light.



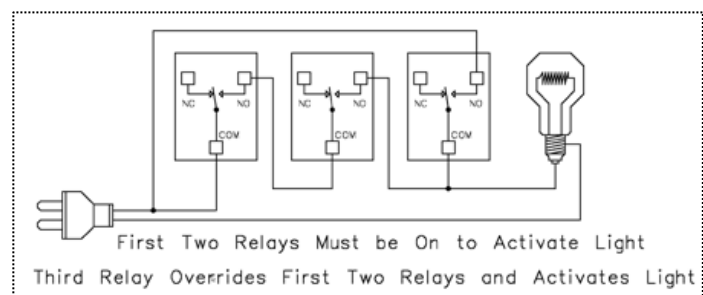
### Sample 4

This sample demonstrates how three activated relays are required to activate a light bulb. This is the same as a Logic AND function because Relay 1 AND Relay 2 AND Relay 3 MUST be on to activate the light.



### Sample 5

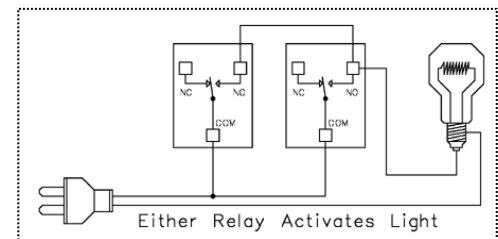
This sample demonstrates the AND/OR function. The Light Bulb will be activated if Relay 1 AND Relay 2 are ON OR if Relay 3 is ON. This sample is perfect for applications that may require a Logical condition



of 2 relays PLUS an Override feature. For instance: Relay 1 is a Night/Day Sensor, Relay 2 is a Moisture Sensor. If its dark AND the soil is dry, Relays 1 and 2 can activate a pump. If you want to override these conditions with a Key Fob, Relay 3 may be used.

### Sample 6

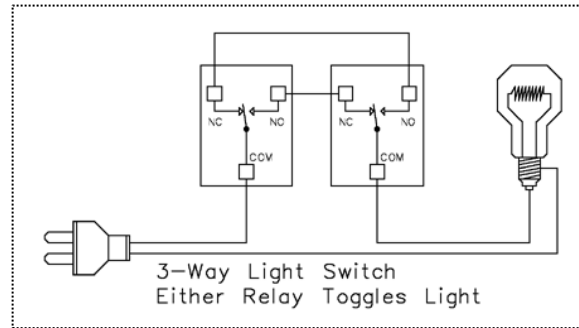
This sample demonstrates how either relay can be used to activate a light. In this sample, only one activated relay is required to activate the light. If both relays are activated, the light will be on.





### Sample 7

This sample demonstrates how a 3-way light switch can be used to activate a light. A 3-way light switch is often found in your house where two light switches can be used to activate a single light. This sample is exactly the same as a 3-way light switch, the only difference being each physical switch is replaced by a relay.

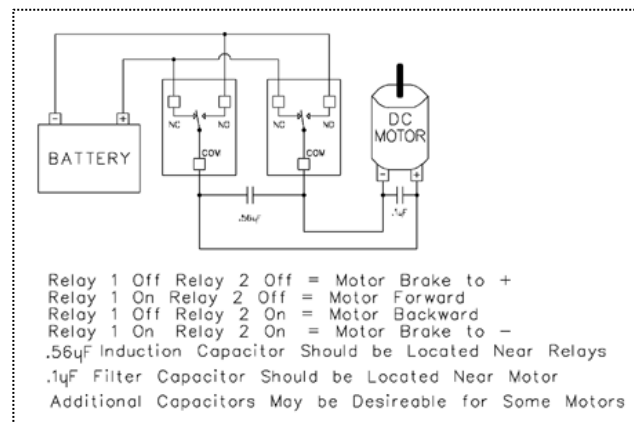


Operationally, it works the same way. Each relay activation will cause the light to toggle. Switching two relays at one time is like flipping two switches at once...with the same result. This sample is particularly useful since you can replace one relay (as shown in the diagram) with a physical light switch. This will allow a computer/MirX to control a light as well as manual operation of a light. Properly used, this can be one of the most valuable diagrams we offer.

### Sample 8

This sample demonstrates how to control the direction of a DC motor using 2 relays. Braking is accomplished by connecting both motor terminals to a common power connection (Faraday's Law).

The capacitors shown may not be required for small motors, but if you experience problems with relays shutting themselves off, the induction suppression capacitor will be required. The



.1µF capacitor helps suppress electronic noise if the battery were to be used by sensitive devices (such as radios/amplifiers).

## Electrical Specifications

**All Controllers Require 12 Volt Dc Power Source.**

MirX Part #	Min/Max. Current Consumption:		
Controller	300 Ft Range	1 Mile Range	Long Range
<b>MirxR15/R110</b>	80ma-115ma	95ma-118ma	150ma-180ma
<b>MirxR25/R210</b>	80ma-140ma	95ma-145ma	150ma-195ma
<b>MirxR45/R410</b>	80ma-200ma	95ma-205ma	150ma-250ma
<b>MirxR85/R810</b>	80ma-370ma	95ma-380ma	150ma-430ma
<b>MirxR8120/R130</b>	80ma-150ma	95ma-155ma	150ma-220ma
<b>MirxR220/R230</b>	80ma-220ma	95ma-225ma	150ma-275ma
<b>MirxR420/R430</b>	80ma-385ma	95ma-390ma	150ma-450ma
<b>MirxR820/R830</b>	80ma-680ma	95ma-685ma	150ma-720ma
<b>MirxSSR8x</b>	80ma-390ma	95ma-395ma	150ma-445ma
Minimum Current consumption based on all relays off/Max consumption based on all relays on. Amperage consumption may fluctuate as much as 10 % Note: Long Range Modules may fluctuate in power consumption significantly from 80ma up to 150ma in all relays off mode.			

	<b>Maximum</b>	<b>Rated</b>	<b>Minimum</b>
Temperature Ratings (Estimated)**	-25°C		80°C
Mechanical Relay Cycle Life (Non-DPDT Versions):		>10,000,000 Cycles	
Mechanical Relay Cycle Life (DPDT Versions):		>2,000,000 Cycles	
Typical Operational Cycles per Minute			1,800
Relay Activation Time:	>5ms		<15ms
Relay Deactivation Time:	>5ms		<20ms
Command Processing Time:	1ms	3ms	5ms
<b><i>Relay Electrical Limits should be Determined by Reviewing Appropriate Relay Data Sheet:</i></b>			
5A Relays Data Sheet			
10A Relays Data Sheet			
20A Relays Data Sheet			
30A Relays Data Sheet			
Solid State Relays Sheet			
** Ratings Based on Data Sheets of Component Used, Actual Tolerance May Exceed Ratings.			

## Troubleshooting

**Problem:**

Busy LED is not Periodically Flashing/Remote Device is not responding.

The Busy LED signifies successful communication with remote device. If the Busy LED is not flashing, the MirX is unable to communicate with the Remote Device. Possible problems could be lack of sufficient power source at remote location, remote device is out of range, humidity can affect overall communication range (*drier environments tend to have shorter ranges than wetter ones*), damaged controller can prevent busy LED from flashing (*if power is applied to inputs, this will damage the controller*).

**Solution:**

- Check Power source for both Devices.
- Place antennas or devices as high physically as possible.
- If humidity seems to be causing “spotty” reception, contact us for a better antenna option.
- If device seems to be damaged, check to make sure you have NEVER attached voltage of any kind to the controllers inputs.

**Problem:**

Controller is Running HOT

**Solution:**

It is normal for some components run very hot on the MirX series relay controllers. This is not a concern as we have tested the design carefully and are operating our components well within the specified limits of the components we are using. It is NOT normal for the CPU to run hot at any time. The CPU should remain cool. If the CPU is running hot the CPU has been damaged.

***Problem:***

**Relays Turn Off Unexpectedly**

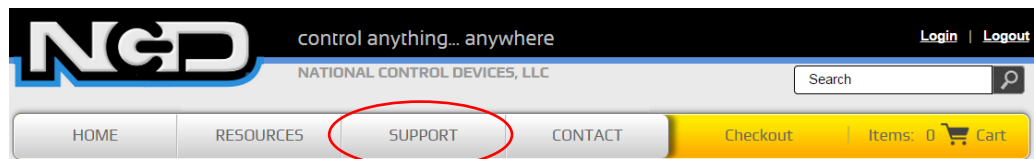
This can happen if the devices lose communication with each other in Smart mode. It can also happen when Inductive loads are attached to the relays (See page 8 [Understanding Relays](#)).

***Solution:***

- Shorten the distance between controllers.
- Carefully review the necessary steps for suppressing Induction in this [Article](#).
- Be sure to also check your power source.

## Technical Support

Technical support is available through our website, [controlanything.com](http://controlanything.com). **Support** is the way we connect NCD engineers to our customers.



*Click on the **Support** tab at the top of any page on our website to be taken to the **Forum** page. Here you can publicly post or review problems that customers have had, and learn about our recommended solutions.*

Our engineers monitor questions and respond continually throughout the day. Before requesting telephone technical support, we ask that customers please try to resolve their problems through **Support** first. However, for persistent problems, NCD technical support engineers will schedule a phone consultation.

## Contact Information

National Control Devices, LLC  
PO Box 455  
Osceola, MO 64776  
417-646-5644 phone  
866-562-0406 fax  
Open 9 a.m. - 4 p.m. CST

Like “National Control Devices” on Facebook, and follow us on Twitter  
@ControlAnything.

All orders *must* be placed online at our website, [www.controlanything.com](http://www.controlanything.com)

### Notice:

The only authorized resellers of NCD products are

- [www.controlanything.com](http://www.controlanything.com)
- [www.relaycontrollers.com](http://www.relaycontrollers.com)
- [www.relaypros.com](http://www.relaypros.com)

All other websites are not authorized dealers; we have noticed some retailers offering our products fraudulently.