

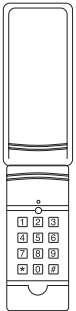


## Dolphin Wireless Garage Door Keypad 433 MHz Dip Switch

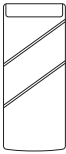
### Keypad Instructions

Product # DOLGDO433D

#### 1. INTRODUCTION



Thank you for your purchase of the Transmitter Solutions Dolphin wireless keypad. The DOLGDO3433D will accommodate one 4 digit PIN to activate a signal transmission.



Package contains:

- Keypad
- 9 volt battery
- 2 screws + wall anchors
- Keypad instructions

Please follow the detailed instructions below in order to set up the Dolphin keypad to operate with your garage door opener or receiver.

#### 2. OPERATIONAL FEATURES

- Pressing any key illuminates the keypad for 5 seconds.
- A "buzzer" indicates each button depression.
- After 20 incorrect key entries, the keypad will "lock up" for 40 seconds.
- If the battery is low the single LED flashes rapidly for 5 seconds, indicating it is time to replace the battery.
- After you have entered a valid code, the keypad LED will flash during the 5 second "time out" period. During the "time out" period you may press any key and the keypad will send another signal to your receiver each time you press a key.
- The \* key resets your entry. If you make a mistake while entering your PIN, pressing the \* key resets your entry so you can start over.

**HINT:** If you always begin your PIN with the \* you will reduce the likelihood of faulty operation.

### 3. PROGRAMMING YOUR NEW KEYPAD

#### TO CHANGE TO RADIO CODE:

DIP switch must be set to match the code on the 10 position switch on the garage door operator receiver.

#### TO CHANGE TO ACCESS CODE:

# # 1-2-3-4 1-3-5-7 #  
 (Old Access Code) (New Access Code)

#### LEDS:

##### Indicator LED:

Indicator LED ON: <i>Into change access code mode</i>
Indicator LED blink <i>The code is enter incorrectly</i>

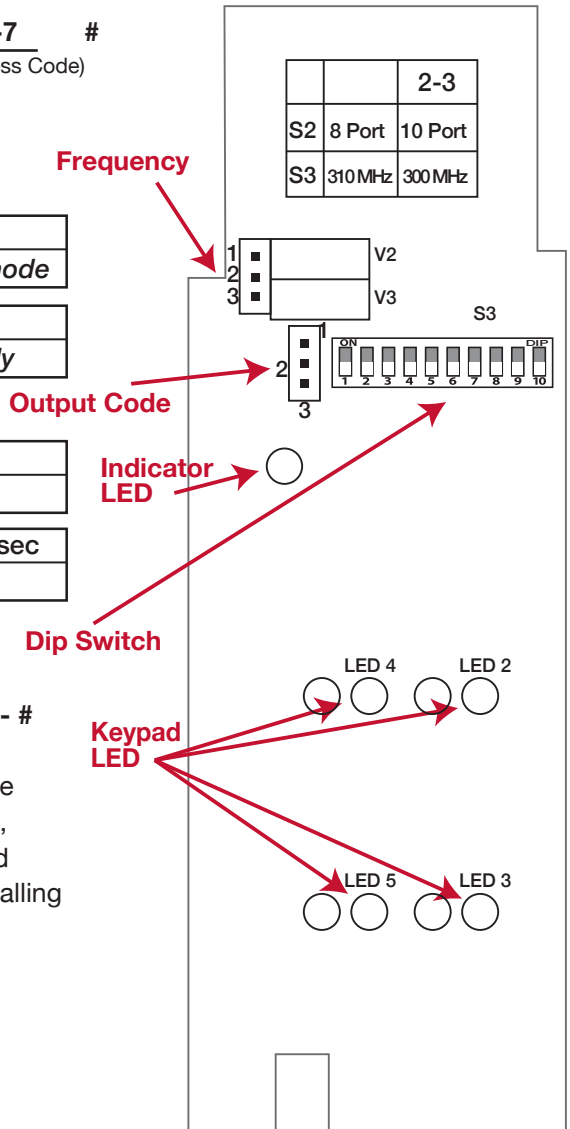
##### Keypad LED:

Keypad LED blink <i>Access code passed</i>
Keypad LED blink rapidly 5sec <i>Battery low (7V)</i>

#### PRESET FACTORY CODES:

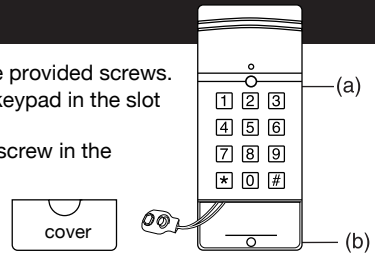
Access code : \* - **1** - **2** - **3** - **4** - #

(Note: To reset the access code remove 9 volt battery form unit, Depress any key on the keypad and wait 5 seconds before installing



## 4. INSTALLATION

- Position the keypad on the garage door frame with the provided screws.
- Lift up the cover and insert the long screw above the keypad in the slot provided (a).
- Remove the battery cover and insert the second long screw in the lower slot (b).
- Replace the battery cover.



## 5. RETURN TO DEFAULT SETTINGS

### Return to Default Settings

1. Disconnect the power by removing the battery.
2. Press the **1**, **4**, and **7** keys simultaneously.
3. Re-connect the battery to power up the keypad.
4. Release the **1**, **4**, and **7** keys.

Note: The keypad is returned to the default “Master Code” **1 2 3 4**. And all User Entry Codes are deleted.

### Multi-color status LED

ORANGE - Key depress

GREEN - Code was entered correctly and the keypad is transmitting

GREEN - Programming Mode

RED - (Flashing 3 times) Error was made in either programming mode or in code entry.

## 6. WARNING

If this transmitter triggers other doors in your neighborhood, change all your transmitters and receivers to a new code setting.

DO NOT let children use the keypad without adult supervision. Children can injure themselves, or others, if left unsupervised. Make sure all the required safety devices are installed before operating any door.

## 7. FCC

The keypad is approved by the FCC and it complies with Part 15 of the FCC Rules. Its operation is subject to the following 2 conditions:

1. This device may not cause harmful interference.
2. The device must accept any interference that may cause undesired operation.

### WARNING:

Changes or modifications to this unit not expressly approved by the party responsible for compliance could void the user's authority to operate the equipment.

FCC ID: SU7DOLGDO433D

## 8. WARRANTY

The warranty period of this product is 24 months, beginning from the manufacturing date. During this period, if the product does not operate correctly, due to a defective component, the product will be repaired or replaced at the sole discretion of Transmitter Solutions. This warranty does not extend to the product casing which can be damaged by conditions outside of the control of Transmitter Solutions.

EXCEPT AS SET FORTH ABOVE, TRANSMITTER SOLUTIONS MAKES NO WARRANTIES REGARDING THE GOODS, EXPRESS OR IMPLIED, INCLUDING WARRANTY OF MERCHANTABILITY OR WARRANTY OF FITNESS FOR A PARTICULAR PURPOSE. BUYER MAKES NO RELIANCE ON ANY REPRESENTATION OF TRANSMITTER SOLUTIONS, EXPRESS OR IMPLIED, WITH REGARD TO THE GOODS AND ACCEPTS THEM "AS-IS/WHERE-IS". TRANSMITTER SOLUTIONS SELLS THE GOODS TO BUYER ON CONDITION THAT TRANSMITTER SOLUTIONS WILL HAVE NO LIABILITY OF ANY KIND AS A RESULT OF THE SALE. BUYER AGREES THAT TRANSMITTER SOLUTIONS SHALL HAVE NO LIABILITY FOR DAMAGES OF ANY KIND, WHETHER DIRECT, INCIDENTAL OR CONSEQUENTIAL DAMAGES, INCLUDING INJURIES TO PERSONS OR PROPERTY, TO BUYER, ITS EMPLOYEES OR AGENTS, AS A RESULT OF THE SALE. BUYER ALSO AGREES TO HOLD TRANSMITTER SOLUTIONS HARMLESS FROM ANY CLAIMS BUYER, OR ANY THIRD PARTY, MAY HAVE AS A RESULT OF BUYER'S USE OR DISPOSAL OF THE GOODS. BUYER HAS READ THIS DISCLAIMER AND AGREES WITH ITS TERMS IN CONSIDERATION OF RECEIVING THE GOODS.



7380 S. Eastern Avenue, Suite 124-320 • Las Vegas, NV 89123  
(866) 975-0101 \* (866) 975-0404 Fax  
[www.transmittersolutions.com](http://www.transmittersolutions.com)