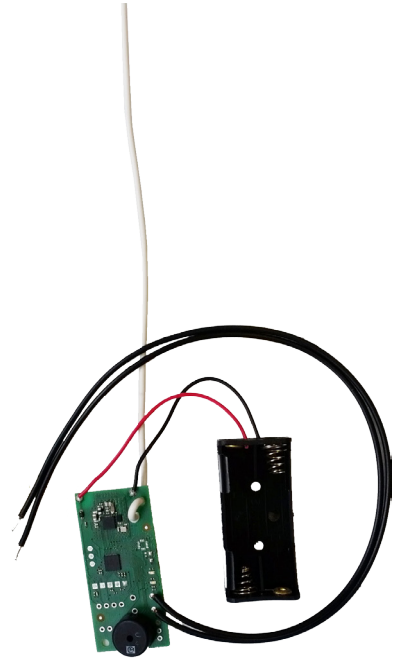




**Transmitter**  
SOLUTIONS®

## TRAHANBUT433-AL



Thank you for choosing this Transmitter Solutions product.  
Please read this manual carefully before installing the product.

## CONTENTS

1. TRANSMITTER OVERVIEW
  - 1A - General information
  - 1B - Technical specification
  - 1C - Main components
  - 1D - Status of the transmitter
2. NUMBERING
3. PROGRAMMING
4. OPERATION
5. BATTERY ACCESS
6. TROUBLESHOOTING

### 1A - General information

---

The Transmitter Solutions transmitter is a transmitter operating at 433,92 MHz. It has been designed for the control of automatic closing systems and anti-burglar systems, thanks to its very high security coding system (Rolling code).

The code sent by the transmitter changes at each activation, avoiding any scanning and copying risk. A special algorithm allows to keep synchronized transmitter and receiver.

The two AAA alkaline batteries of the transmitter have a shelf life of about 24 months.

The product fully complies with Part 15 of FCC Regulations.

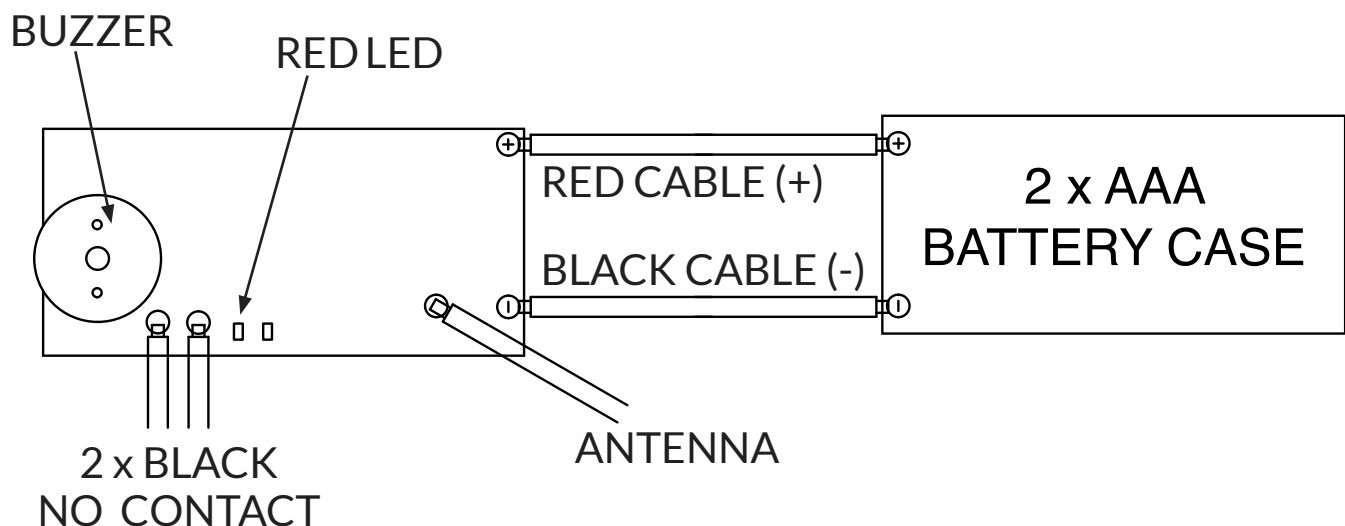
## 1B - Technical specifications

---

Operating frequency:	433,92 MHz
Number of inputs:	1
Battery:	2 x 1,5V Alkaline battery (AAA)
Battery life:	18 - 24 months
Security Code:	Rolling code
Number combinations:	2exp64
Operating temperature:	23°F - +131°F (-5°C - +55°C)
Overall dimensions (transmitter):	2,13" x 0,98" x 0,39" (54 x 25 x 10 mm)
Overall dimensions (battery case):	2,00" x 0,94" x 0,47" (51 x 24 x 12 mm)
Weight:	0.53 oz. (15 gr.)
Weight with batteries:	1.31 oz. (37 gr.)

## 1C - Main components

---



## 1D - Status of the transmitter

---

By pressing the button connect to the TRAHANBUT433-AL transmitter it is possible to check the status of the battery:

1. Press and hold the button.
2. After 5 seconds, the transmitter emits:
  - 2 fast beeps, the status of the battery is ok.
  - From 3 to 6 slow beeps, the level of the battery is low. The lower level is signaled with 6 beeps.

When the level of the battery is low, at each use of the transmitter, it indicates the low battery with an acoustic signal.

*NOTE: in case the button is blocked, after 10 s the transmitter will emit an audio error signal and it will be repeated every 60 s.*

## 2 - NUMBERING

Each transmitter is manufactured and sold with a different factory-set serial number.

## 3 - PROGRAMMING

The transmitter must be programmed into your system memory. Your own installer or reseller will provide you the necessary instructions for your system.

## 4 - OPERATION

A- Connect the NO button to the inputs cables ( 2 black cables).

B- Firmly depress the button until the red LED illuminates.

C- After the LED has illuminated, release the button.

If the device you are attempting to activate does not respond, repeat steps B and C or consult section 6 ( Troubleshooting ) of this manual.

## 5 - BATTERY ACCESS

To access the battery, please refer to the push plate manual.

Slide out the old batteries and replace them with the new ones (AAA alkaline battery) respecting the polarity.

*NOTE: Please dispose of the batteries properly according to local laws and regulations. Test proper battery installation by verifying that the red LED illuminates when the button is pushed.*

## 6 - TROUBLESHOOTING

PROBLEM	SOLUTION
The system does not receiver the transmitter signal. The transmitter LED will not light	Replace the transmitter batteries
The system does not receiver the transmitter signal. The transmitter LED is ON	Check to verify the transmitter is programmed into your sistem
The operating range is reduced	Replace the transmitter batteries

## **Transmitter Solutions - Type: TRAHANBUT433-AL FCC ID: SU7HANBUT433-AL**

This device complies with part 15 of the FCC Rules.

Operation is subject to the following two conditions:

- (1) This device may not cause harmful interference, and
- (2) this device must accept any interference received, including interference that may cause undesired operation.

### **NOTICE**

Any changes or modification to Transmitter Solutions equipment not expressly approved by Transmitter Solutions could void the manufacturer's warranty and the user's authority to operate this product.

### **WARRANTY**

The warranty period of Transmitter Solutions 433 transmitters is 60 months, beginning from the manufacturing date of the transmitter. During this period, if the product does not operate correctly, due to a defective component, the product will be repaired or replaced at the sole discretion of Transmitter Solutions.

The warranty does not extend to the transmitter case which can be damaged by conditions outside the control of Transmitter Solutions or to battery life.



7380 S. Eastern Ave, Ste 124-320 - Las Vegas, NV 89123

(866) 975-0101 - (866) 975-0404 Fax

[www.transmittersolutions.com](http://www.transmittersolutions.com)