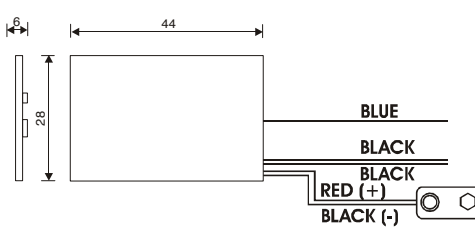
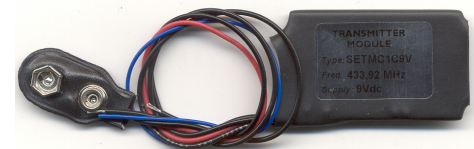
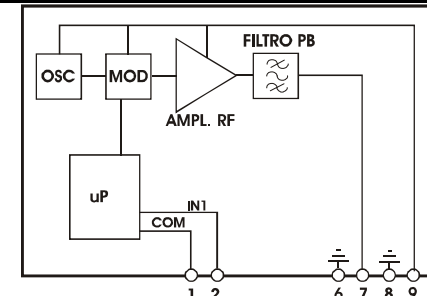


PUSHING FOR BETTER SOLUTIONS

SETMC8689V Transmitter Module

Description	Saw transmitter module with external aerial and internal security code (Keeloq™ code hopping)				
Applications	RF Transmissions of digital signal from pure contacts				
Technical specifications	Parameter	Min	Typ	Max	Unit
	Band	868,00 – 868,60			MHz
	Carrier frequency	-	868,30	-	MHz
	Carrier frequency tolerance	± 100			KHz
	E.r.p emitted power	-	-	+ 10	dBm
	Spurious emissions	-	-	-73	dBm
	Modulation	AM / ASK			
	Baud-rate	-	834	-	Bit/sec
	Output load	-	50	-	Ω
	Power supply	-	+9	-	V
	Current consumption	-	-	17	mA
	Dimensions (l x h x p)	1-3/4 x 1 x 1/4			inch
	Operating temperature	- 4 to + 158			°F
	Wirings	9V Battery connection + 1 antenna + NO input			200 mm
	Input	1			-
	Input type	Pure contact			
Security coding	Keeloq™ code hopping				
Security code combinations	2 ⁶⁴				

Mechanical specifications		

Block Diagram		<p style="text-align: center;">WIRINGS</p> <p>1 : BLACK = N.O. INPUT CONTACT 2 : BLACK = N.O. INPUT CONTACT 7 : BLUE = ANTENNA 9 : RED = POWER SUPPLY (+ 9Vdc) 8 : BLACK = POWER SUPPLY 0V</p>

TRANSMITTER SOLUTIONS WARRANTY:

The warranty period of this Transmitter Solutions product is twenty-four (24) months. This warranty shall begin on the date the product is manufactured. During the warranty period, the product will be repaired or replaced (at the sole discretion of Transmitter Solutions) if the product does not operate correctly due to a defective component. This warranty does not extend to (a) the product case, which can be damaged by conditions outside the control of Transmitter Solutions, or (b) battery life of the product. This warranty is further limited by the following disclaimer of warranty and liability:

EXCEPT AS SET FORTH ABOVE, TRANSMITTER SOLUTIONS MAKES NO WARRANTIES REGARDING THE GOODS, EXPRESS OR IMPLIED, INCLUDING WARRANTY OF MERCHANTABILITY OR WARRANTY OF FITNESS FOR A PARTICULAR PURPOSE. BUYER MAKES NO RELIANCE ON ANY REPRESENTATION OF TRANSMITTER SOLUTIONS, EXPRESS OR IMPLIED, WITH REGARD TO THE GOODS AND ACCEPTS THEM "AS-IS/WHERE-IS". TRANSMITTER SOLUTIONS SELLS THE GOODS TO BUYER ON CONDITION THAT TRANSMITTER SOLUTIONS WILL HAVE NO LIABILITY OF ANY KIND AS A RESULT OF THE SALE. BUYER AGREES THAT TRANSMITTER SOLUTIONS SHALL HAVE NO LIABILITY FOR DAMAGES OF ANY KIND, WHETHER DIRECT, INCIDENTAL OR CONSEQUENTIAL DAMAGES, INCLUDING INJURIES TO PERSONS OR PROPERTY, TO BUYER, ITS EMPLOYEES OR AGENTS, AS A RESULT OF THE SALE. BUYER ALSO AGREES TO HOLD TRANSMITTER SOLUTIONS HARMLESS FROM ANY CLAIMS BUYER, OR ANY THIRD PARTY, MAY HAVE AS A RESULT OF BUYER'S USE OR DISPOSAL OF THE GOODS. BUYER HAS READ THIS DISCLAIMER AND AGREES WITH ITS TERMS IN CONSIDERATION OF RECEIVING THE GOODS.

NOTICE:

This device complies with Part 15 of the FCC Rules. Operation is subject to the following two conditions: (1) this device may not cause harmful interference, and (2) this device must accept any interference received, including interference that may cause undesired operation.

IMPORTANT! Any changes or modifications not expressly approved by the part responsible for compliance could void the user's authority to operate this equipment.



7380 S. Eastern Avenue, Suite 124-320 • Las Vegas, NV 89123
(866) 975-0101 * (866) 975-0404 Fax
www.transmittersolutions.com