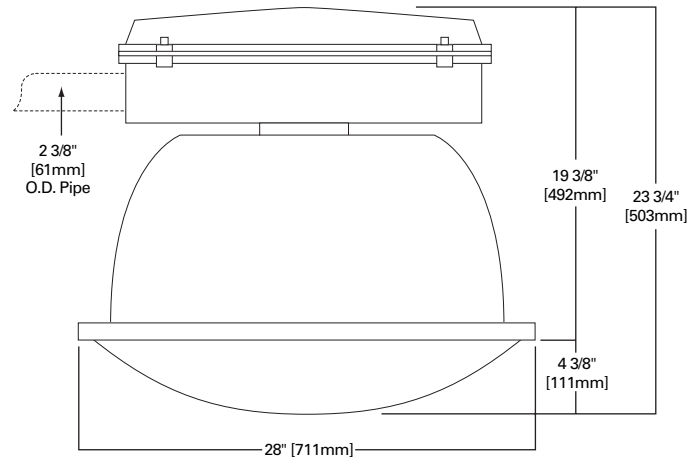


HMX HIGH MAST

LARGE AREA LUMINAIRE

400-1000W
MH/HPS

STREETWORKS™



Vertical Lamp Configuration

HOUSING

Die-cast aluminum housing and cover. Standard bronze polyester powder coat finish. Other finish colors available. Consult your Streetworks Representative.

MOUNTING

Clamp type slipfitter for 2 3/8" O.D. pipe.

OPTICS

Anodized spun aluminum reflector housing.

LAMPHOLDER

Die-cast aluminum lampholder allows several different lamp positions.

DOOR

Die-cast aluminum door with tempered convex glass lens and silicone rubber gasket.

ORDERING INFORMATION

SAMPLE NUMBER: HMX40SC2NM

PRODUCT FAMILY	LAMP WATTAGE	LAMP TYPE ¹	BALLAST TYPE ¹	AVOLTAGE ¹	OPTICAL PACKAGE	DISTRIBUTION	OPTIONS + ACCESSORIES (See Below)
HMX	40=400W 75=750W 91=1000W	S=HPS M=MH	C=CWI K=10KV CWA ² M=Mag. Reg. ³ W=CWA	2=120V 0=208V 4=240V 7=277V 8=480V 9=347V W=Multi-Tap wired 120V N=Multi-Tap wired 277V V=Multi-Tap wired 240V	C=Flat Glass D=Convex Glass N=Open	M=Type V Medium S=Type V Short W=Type V Wide	

OPTIONS + ACCESSORIES [Must be listed in the order shown and separated by a dash]

OPTIONS (add as suffix)

1=Single Fuse, Internally Mounted (120 or 277V)
2=Double Fuse, Internally Mounted (208, 240, or 480V)
3=Four-Stage Air Filter⁴
4=Photocontrol Receptacle
AP=Grey
B=Plastic Two Position Terminal Block
M=MOV Lighting Surge Protector⁵

ACCESSORIES (order separately)

OA/RA1016=105-285V Photocontrol
OA/RA1027=480V Photocontrol
OA1153=External Cutoff Shield (.90 EPA)

OPTIONAL COLORS [Standard color is bronze, other finish colors available. Consult your Cooper Lighting representative]



AP
Grey

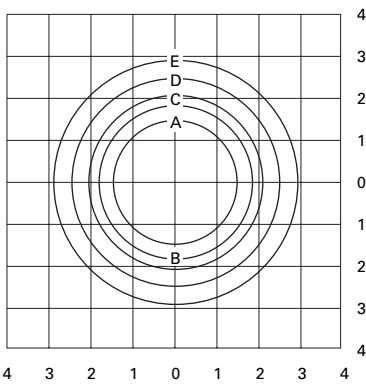
EPA:

Effective Projective Area: 1.46

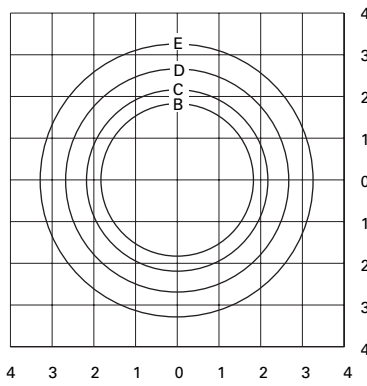
SHIPPING DATA

Approximate Net Weight:
64 lbs. (29 kgs.)

NOTE: 1 Refer to technical section for lamp/ballast/voltage compatibility. 2 1000W HPS only. 3 Not available on 750 or 1000W units. 4 Four-Stage air filter prevents entrance of dust particles .00025mm and larger. 5 MOV option is not available for any system requiring a three position terminal block (Example—120/240V incoming line). In order for MOV option to function center terminal of three position terminal block must be connected to "Earth" ground.



HMX91SCM
1000-Watt HPS
140,000-Lumen Clear Lamp



HMX91SDW
1000-Watt HPS
140,000-Lumen Clear Lamp

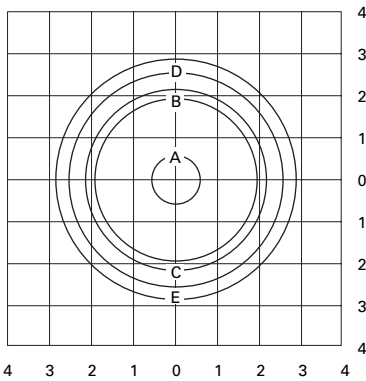
FOOTCANDLE TABLE

Select mounting height and read across for footcandle values of each isofootcandle line. Distance in units of mounting height.

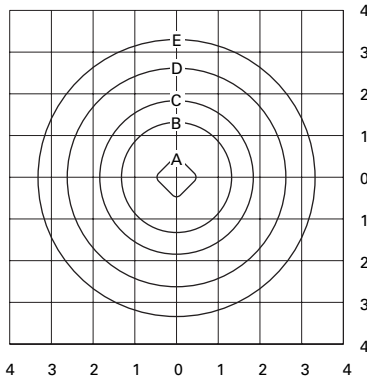
Mounting Height	Footcandle Values for Isofootcandle Lines				
	A	B	C	D	E
HMX91SCM.IES					
80'	0.78	0.47	0.31	0.16	0.08
100'	0.50	0.30	0.20	0.10	0.05
120'	0.35	0.21	0.14	0.07	0.03

HMX91SDW.IES

80'	0.78	0.47	0.31	0.16	0.08
100'	0.50	0.30	0.20	0.10	0.05
120'	0.35	0.21	0.14	0.07	0.03



HMX91MCM
1000-Watt MH
110,000-Lumen Clear Lamp



HMX91MDW
1000-Watt MH
110,000-Lumen Clear Lamp

FOOTCANDLE TABLE

Select mounting height and read across for footcandle values of each isofootcandle line. Distance in units of mounting height.

Mounting Height	Footcandle Values for Isofootcandle Lines				
	A	B	C	D	E
HMX91MCM.IES					
80'	0.78	0.47	0.31	0.16	0.08
100'	0.50	0.30	0.20	0.10	0.05
120'	0.35	0.21	0.14	0.07	0.03

HMX91MDW.IES

80'	0.78	0.47	0.31	0.16	0.08
100'	0.50	0.30	0.20	0.10	0.05
120'	0.35	0.21	0.14	0.07	0.03