

Corning

Mid-Power Remote Unit (MRU)
User Manual

Warranties

Hardware Warranty

Corning warrants to the original purchaser (“Customer”) that for the duration of the warranty period, one (1) year, commencing on the date of shipment of the Hardware, unless otherwise agreed in writing by Corning (the “Hardware Warranty Period”), the Hardware furnished by Corning shall be free in all material respects from defects in material and workmanship, and shall conform to the applicable portions of the Specifications, as defined below (the “Hardware Warranty”). If notified by Customer of any such defects in material or workmanship or nonconformity with applicable portions of the Specifications within the Hardware Warranty Period, Corning shall promptly, at its own election and expense, repair or replace any such Hardware proven to be defective under the terms of this Hardware Warranty. Such repair or replacement shall be Customer’s sole remedy and Corning sole obligation in the event this Hardware Warranty is invoked. If any components comprising a part of the Hardware are replaced or repaired during the Hardware Warranty Period, the Hardware Warranty Period for such repaired or replaced components shall extend to the longer of (i) the balance of the Hardware Warranty Period or (ii) three (3) months from the date of repair or replacement. For purposes of this Warranty, “Specifications” shall mean the specifications and performance standards of the Products as set forth in documents published by Corning and delivered to Customer which contain technical specifications or performance standards for the Products.

If Customer invokes this Hardware Warranty, it shall notify Corning promptly of the claimed defect. Customer will allow Corning to inspect the Hardware at Customer’s location, or to return the Hardware to Corning closest repair facility. For Hardware returned to Corning repair facility, Customer shall be responsible for payment of all transportation and freight costs (including insurance) to Corning’s repair facility, and Corning shall be responsible for all transportation and freight costs (including insurance) incurred in connection with the shipment of such Hardware to other repair facilities of Corning and/or its return to Customer.

Notwithstanding the foregoing, in no event will Corning be liable for damage to Products resulting from improper handling during or after shipment, misuse, neglect, improper installation, operation or repair (other than by authorized Corning personnel), alteration, accident, or for any other cause not attributable to defects in materials or workmanship on the part of Corning. Corning shall not reimburse or make any allowance to Customer for any labor charges incurred by

Customer for replacement or repair of any goods unless such charges are authorized in advance in writing by Corning.

Software Warranty

Corning warrants to the original purchaser (“Customer”) that for the duration of the warranty period, one (1) year, commencing on the date of shipment of the Software, unless otherwise agreed in writing by Corning (the “Software Warranty Period”), the Software shall conform with, and perform the functions set forth in the Specifications, and shall be free from defects in material or workmanship (the “Software Warranty”). In the event the Software is proven to be defective under the terms of this Software Warranty, Corning shall correct such defects or failure and ensure that the Software conforms with, and performs the functions set forth in, the Specifications. Customer will allow Corning to inspect the Software at Customer’s location or to return it to Corning’s closest repair facility. Notwithstanding the foregoing, Corning shall have no obligation under the Software Warranty if the Software is modified or used with hardware or software not supplied or approved by Corning or if the Software is subject to abuse, improper installation or application, accident, electrical or environmental over-stress, negligence in use, storage, transportation, or handling Third-party software distributed with the Software may carry certain warranties which, to the maximum extent allowed by law, Corning hereby assigns, transfers and otherwise conveys to Customer, provided, however, that Corning itself provides no warranty of any kind, express, implied, statutory or otherwise, for any third-party software provided hereunder.

Corning does not warrant any hardware, software, or services not provided by Corning.

THIS WARRANTY IS THE ONLY WARRANTY MADE BY CORNING AND IS IN LIEU OF ALL OTHER WARRANTIES, EXPRESS OR IMPLIED INCLUDING, BUT NOT LIMITED TO, THE IMPLIED WARRANTIES OF MERCHANTABILITY AND FITNESS FOR A PARTICULAR PURPOSE. CORNING SHALL NOT BE LIABLE FOR ANY OTHER DAMAGE INCLUDING, BUT NOT LIMITED TO, INDIRECT, SPECIAL OR CONSEQUENTIAL DAMAGES ARISING OUT OF OR IN CONNECTION WITH FURNISHING OF GOODS, PARTS AND SERVICE HEREUNDER, OR THE PERFORMANCE, USE OF, OR INABILITY TO USE THE GOODS, PARTS, AND SERVICE. CORNING SALES AGENTS OR REPRESENTATIVES ARE NOT AUTHORIZED TO MAKE COMMITMENTS ON WARRANTY RETURNS.

Returns

In the event that it is necessary to return any product against above warranty, the following procedure shall be followed:

1. Return authorization is to be received from Corning prior to returning any unit. Advise Corning of the model, serial number, and discrepancy. The unit may then be forwarded to Corning, transportation prepaid. Devices returned collect or without authorization may not be accepted.
2. Prior to repair, Corning will advise the customer of our test results and any charges for repairing customer-caused problems or out-of-warranty conditions etc.
3. Repaired products are warranted for the balance of the original warranty period, or at least 90 days from date of shipment.

Limitations of Liabilities

Corning's liability on any claim, of any kind, including negligence for any loss or damage arising from, connected with, or resulting from the purchase order, contract, quotation, or from the performance or breach thereof, or from the design, manufacture, sale, delivery, installation, inspection, operation or use of any equipment covered by or furnished under this contact, shall in no case exceed the purchase price of the device which gives rise to the claim.

Except as expressly provided herein, Corning makes no warranty, expressed or implied, with respect to any goods, parts, and services provided in connection with this agreement including, but not limited to, the implied warranties of merchantability and fitness for a particular purpose. Corning shall not be liable for any other damage including, but not limited to, indirect, special or consequential damages arising out of or in connection with furnishing of goods, parts and service hereunder, or the performance, use of, or inability to use the goods, parts, and service.

Note: The grantee is not responsible for any changes or modifications not expressly approved by the party responsible for compliance. Such modifications could void the user's authority to operate the equipment.

Reporting Defects

The units were inspected before shipment and found to be free of mechanical and electrical defects. Examine the units for any damage that may have been caused in transit.

If damage is discovered, file a claim with the freight carrier

immediately. Notify Corning as soon as possible in writing.

Note: Keep all packing material until you have completed the inspection.

Warnings and Admonishments

There may be situations, particularly for workplace environments near high-powered RF sources, where recommended limits for safe exposure of human beings to RF energy could be exceeded. In such cases, restrictive measures or actions may be necessary to ensure the safe use of RF energy.

The equipment has been designed and constructed to prevent, as far as reasonably, practicable danger. Any work activity on or near equipment involving installation, operation or maintenance must be, as far as reasonably, free from danger.

Where there is a risk of damage to electrical systems involving adverse weather, extreme temperatures, wet, corrosive or dirty conditions, flammable or explosive atmospheres, the system must be suitably installed to prevent danger. Equipment provided for the purpose of protecting individuals from electrical risk must be suitable for the purpose and properly maintained and used. This covers a range of activities including lifting, lowering, pushing, pulling, carrying, moving, holding, or restraining an object, animal, or person from the equipment. It also covers activities that require the use of force or effort, such as pulling a lever or operating power tools.

Where some of the above mentioned activities are required, the equipment must be handled with care to avoid being damaged.

Observe standard precautions for handling ESD-sensitive devices. Assume that all solid-state electronic devices are ESD sensitive. Ensure the use of a grounded wrist strap or equivalent while working with ESD-sensitive devices. Transport, store, and handle ESD-sensitive devices in static-safe environments.

Regulatory Compliance Information

WARNINGS!

- This is **NOT** a **CONSUMER** device. It is designed for installation by **FCC LICENCEES** and **QUALIFIED INSTALLERS**. You **MUST** have an **FCC LICENSE** or express consent of an FCC license to operate this device. Unauthorized use may result in significant forfeiture penalties, including penalties in excess of \$100,000 for each continuing violation.

- **ANTENNAS:** Use only authorized and approved antennas, cables, and/or coupling devices! The use of unapproved antennas, cables, or coupling devices could cause damage and may be of violation of FCC regulations. The use of unapproved antennas, cables, and/or coupling devices is illegal under FCC regulations and may subject the user to fines. See Section 3.6 of this document.

RF Safety

To comply with FCC RF exposure compliance requirements:

ATTENTION!

Compliance with RF safety requirements:

- Corning products have no inherent significant RF radiation.
- The RF level on the downlink is very low at the downlink ports. Therefore, there is no dangerous RF radiation when the antenna is not connected.

CAUTION!

Use of controls, adjustments, or performance of procedures other than those specified herein may result in hazardous radiation exposure.

Warning! Antennas used for this product must be fixed mounted on indoor permanent structures, providing a separation distance of at least 100 cm from all persons during normal operation.

Warning! Each individual antenna used for this transmitter must be installed to provide a minimum separation distance of 100 cm or more from all persons and must not be co-located with any other antenna for meeting RF exposure requirements.

Warning! Antenna gain should not exceed 12.5 dBi.

Warning! The design of the antenna installation needs to be implemented in such a way so as to ensure RF radiation safety levels and non-environmental pollution during operation.

Laser Safety

- Fiber optic ports of the Corning optical network evolution (ONE™) solutions emit invisible laser radiation at the 1310/1550 nm wavelength window.
- External optical power is less than 10 mW, internal optical power is less than 500 mW.
- To avoid eye injury never look directly into the optical ports, patch cords, or optical cables. Do not stare into beam or view directly with optical instruments. Always assume that optical outputs are on.

- Only technicians familiar with fiber optic safety practices and procedures should perform optical fiber connections and disconnections of Corning optical network evolution (ONE) solutions devices and the associated cables.
- Corning optical network evolution (ONE) solutions MRU has been tested and certified as a Class 1 laser product to IEC/EN 60825-1 (2007). It also meets the requirements for a Hazard Level 1 laser product to IEC/EN 60825-2:2004 to the same degree.
- Corning optical network evolution (ONE) solutions MRU complies with 21 CFR 1040.10 and 1040.11 except for deviations pursuant to Laser Notice No. 50 (2007).

Care of Fiber Optic Connectors

- Do not remove the protective covers on the fiber optic connectors until a connection is ready to be made. Do not leave connectors uncovered when not connected.
- The tip of the fiber optic connector should not come into contact with any object or dust.

Company Certification

ISO 9001:2000 and ISO 13485:2003

Licensee Contact Information

Industrial boosters may only be used by FCC licensees or those given express (individualized) consent of license. Corning Optical Communications Wireless certifies all of the VARs listed as licensed installers for Corning. For the list of licensed VARs, please contact the Tech Support Hotline: 410-553-2086 or 800-787-1266.

About This Manual

This user guide provides all the information necessary to understand the architecture and general installation procedures and requirements of the Corning optical network evolution (ONE) solutions mid-power remote unit (MRU).

Note: The commissioning procedure, monitoring and management capabilities, and configuration options of Corning optical network evolution (ONE) solutions elements are described in the Corning optical network evolution (ONE) solutions HCM and Web management user manual.

Table of Contents

CHAPTER

1

Introduction

1.1 Key Features and Capabilities	8
1.2 General System Specifications and Requirements. . .	9
1.2.1 Environmental and Regulatory Specifications	9
1.2.2 Safety and Regulatory Approvals.	9
1.2.3 Power Specifications	9
1.3 System Architecture	10
1.4 System Monitoring and Management	11

CHAPTER

2

MRU Interfaces

2 MRU Interfaces	12
----------------------------	----

CHAPTER

3

Installation Guidelines

3.1 Site Considerations.	15
3.2 Safety Guidelines	15
3.3 Installation Requirements	15
3.3.1 Rack Safety Instructions.	16
3.3.2 Rack Installation Guidelines	16
3.4 Power Requirements	16
3.4.1 Power Safety Instructions	16
3.4.2 Types of Power Supplies	16
3.4.3 Circuit Breakers	16
3.4.4 Cable Routing	16
3.5 RF Coaxial Cable Guidelines	17
3.5.1 General RF Cable Installation Procedures.	17
3.5.2 RF Rules	17
3.5.3 Coax Cable Lengths and Losses	17
3.6 Antenna Specifications and Guidelines	18
3.6.1 Authorized Antennas and Required Specifications.	18
3.6.2 General Installation Guidelines	18
3.7 Fiber Optic Requirements	18
3.7.1 Authorized Optical Cables.	18
3.7.2 Fiber Optic Rules	18
3.8 Grounding Requirement	19
3.9 Manual Handling	19

Table of Contents

(continued)

CHAPTER

4

Installation

4.1 Unpacking and Inspection	20
4.2 Mounting the MRU	21
4.2.1 Rack Installation	21
4.2.2 Wall-Mount Installation.	22
4.2.2.1 Unpacking and Inspection	22
4.2.2.2 Mounting MRU on Wall	23
4.3 Grounding MRU Chassis.	25
4.4 Fiber Connections	26
4.5 RF Antenna Connections	27
4.6 Power Connections	28
4.6.1 AC Models	28
4.6.2 DC Models	28
4.6.2.1 CLASS2 Connector (remote feed).	28
4.6.2.2 CLASS1 Connector (local plant feed).	30
4.7 Outdoor Installation	31
4.7.1 Items Required for Outdoor Installation	31
4.7.2 Pre-Installation Procedures	33
4.7.3 Install MRU in Cabinet	34
4.7.4 MRU Connections	35
4.7.5 External Alarm Connections.	36
4.8 Verifying Normal Operation	38

CHAPTER

5

Maintenance

5.1 Extracting/Replacing PAM and OPTM	39
---	----

CHAPTER

6

Appendix A: Specifications

Supported Services	40
RF Parameters per Service.	40
Coupling Specifications	41
Environmental Specifications	41
Standards and Approvals	41
Optical Specifications	41
Physical Specifications	42

CHAPTER

7

Appendix B: Ordering Information

MRU Assembly Configurations	43
MRU Assembly Configurations Upgrade for Future AWS1/3 Support	43
MRU Stand-Alone Modules	44
Accessories	44
Cable Assemblies.	45

Introduction

The MRU is a mid-power (2 W) remote solution for the Corning optical network evolution (ONE™) solutions. The MRU provides remote indoor and outdoor coverage. It is a fiber-fed, compact, and scalable multiservice solution designed to complement the Corning optical network evolution (ONE) solutions by providing complete RF open space coverage for large-scale public venues such as campus applications.

The MRU consists of a compact enclosure that houses the RF modules, power elements, and the required interfaces, supporting up to seven bands in various combinations. It enables multiple wireless technologies and operator services to be distributed over a single broadband infrastructure. The MRU can be deployed in new sites or alongside existing lower-power RAU/RAU5 remotes, sharing a common headend and element management system. Alongside Corning optical network evolution (ONE) solutions deployments, the MRU provides a comprehensive indoor and outdoor coverage solution for varying site requirements, supporting everything from high-rise buildings and campus topologies to stadiums and airports.

Management and configuration options are provided for each MRU service via a Web session to the headend control module (HCM v1.6 and higher). The HCM enables centralized, single-source local and remote management of all system elements.



Mid-Power Remote Unit (MRU) | Figure 1-1

1.1 Key Features and Capabilities

- **Multi-frequency/multiservice platform** – supports LTE 700, ESMR, CELL, PCS, AWS, and WCS (including an integrated 2.5 GHz add-on port), accommodating GSM, CDMA, UMTS, LTE, and more.
- **Multioperator-optimized platform** – services from a number of operators can be distributed by the same unit.
- **Cost-effective higher power** – optimizes and reduces the number of antennas required to cover open areas by offering up to 33 dBm (2 W) composite power per frequency band.
- **Operator-grade performance** – advanced signal handling, RF filtering, and management ensures operator-grade performance.
- **Optical fiber savings** – all services routed to an MRU are routed over a single optical fiber pair.
- **Design and deployment flexibility** – MRU available in AC or DC power supply options. Antenna splitting schemes are possible due to the higher power output capability.
- **Modular and scalable design** – modular design enables adding new wireless services easily and cost-effectively without disruption to workspaces or existing services. Supports external 2.5 GHz RF source.
- **Simple installation and maintenance** – all connections and status LEDs located on the front panel. MRU is modular, hot swappable, and field upgradable.
- **Management and control** – alarm forward to NOC or standard element management system (EMS) via SNMP, software controlled output power, and optical link auto gain control.

1.2 General System Specifications and Requirements

1.2.1 Environmental and Regulatory Specifications

	Operating	Storage
Temperature	-40° to +65°C (-40° to 149°F)	-30° to 85°C (-22° to 185°F)

Table 1-1. Temperature and Humidity Specifications

1.2.2 Safety and Regulatory Approvals

Regulation/Standard Category	Approval
Laser Safety	FDA/CE 21 CFR 1040.10 and 1040.11 except for deviations pursuant to Laser Notice No. 50 and IEC 60825-1
EMC	FCC 47 CFR Part 15, 22, 24, 27
Safety	UL 60950 IEC 60825-1:2007 IEC 60825-2:2010 CAN/CSA-C22.2 No. 60950-1-03
NEBS	GR-63, GR-1089 (with outdoor enclosure)

Table 1-2. Safety and Regulatory Approvals

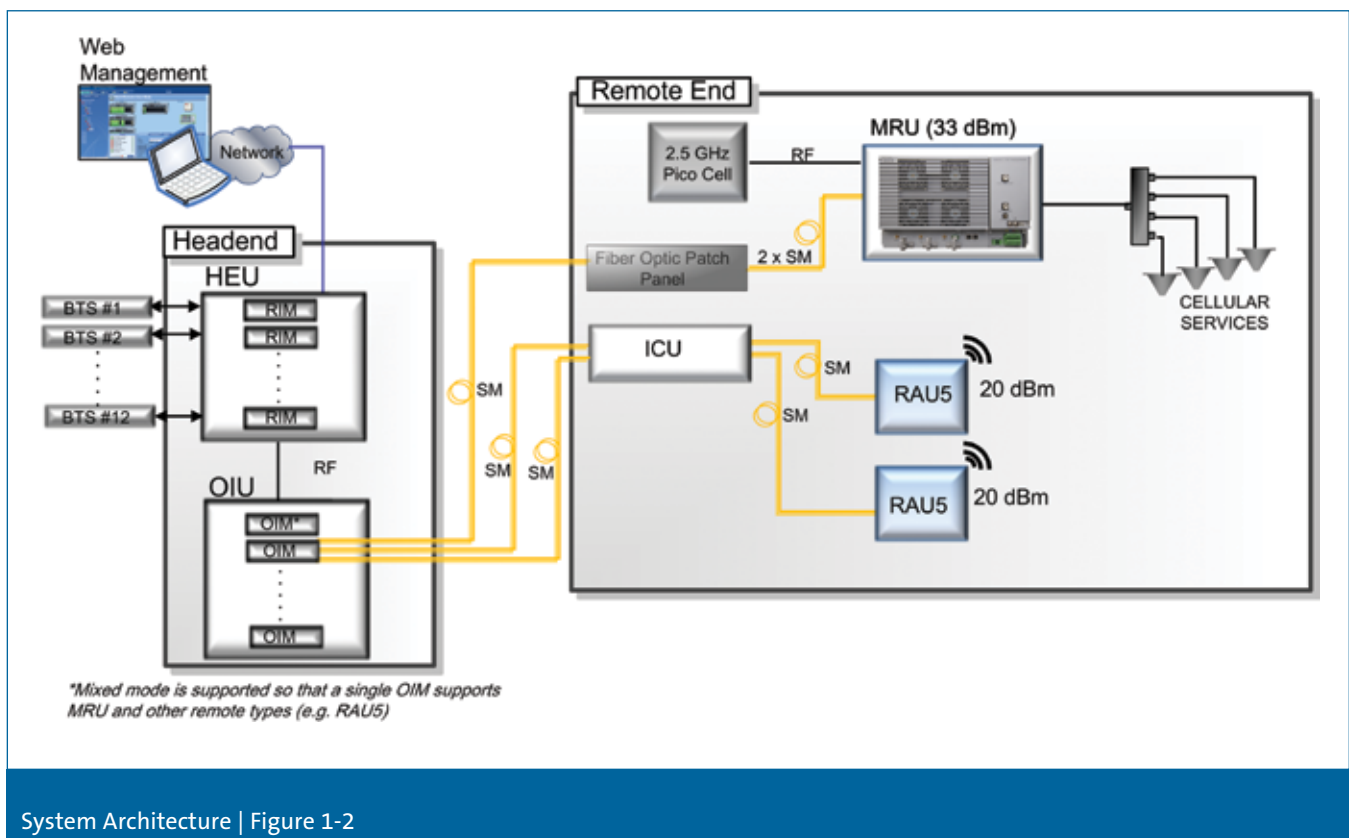
1.2.3 Power Specifications

Power Specification	Description
Power Consumption (maximum)	360 W (for fully loaded chassis)
AC Power Input	100-240 VAC/50-60 Hz
Maximum AC Current Consumption	5 A
DC Power Input	DC class 1: 48 VDC (40-60 VDC), 9 A maximum DC class 2: 24/48 VDC (20-60 VDC) Power amplifier consumption per pair: 50 W Maximum power consumption: 330 W Maximum current consumption: 1.75 A per pair Maximum current draw per pair: 64 W

Table 1-3. MRU Power Specifications

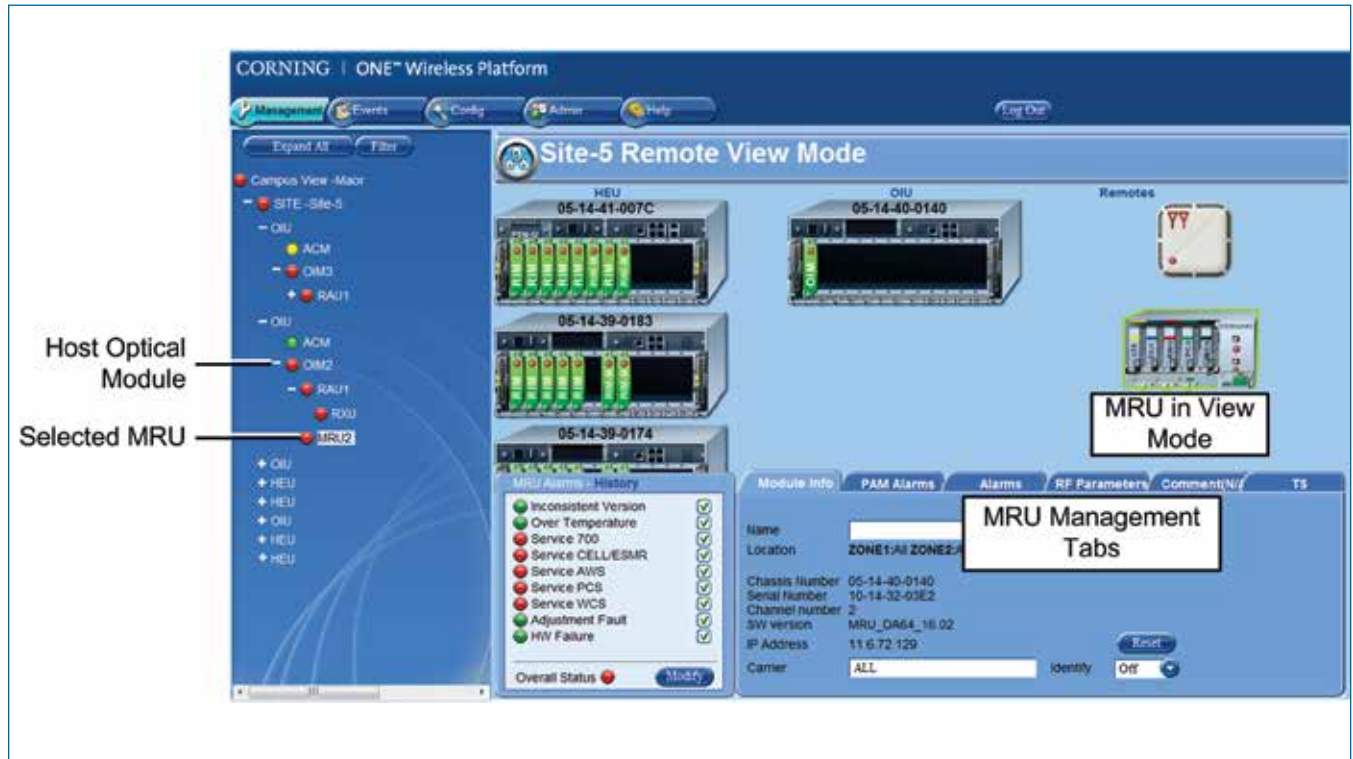
1.3 System Architecture

Figure 1-2 illustrates the MRU system architecture. In the downlink, at the headend, BTS/BDA RF signals are conditioned by service-specific RIMs installed in the headend unit (i.e. HEU/IHU), ensuring a constant RF level. The conditioned signals are then forwarded to the OIU and converted by the OIMs to an optical signal for transporting over single-mode fiber to the MRUs at the remote locations. All mobile services are combined and distributed through a single antenna port over the broadband antenna infrastructure installed at the remote locations. In the uplink, the process is reversed. As illustrated in the system architecture shown in Figure 1-2, all mobile services are combined and distributed through a single antenna port over the broadband antenna infrastructure installed at the remote locations.



1.4 System Monitoring and Management

The MRU is centrally managed via the headend control module software management application (v1.6 and higher). Figure 1-3 shows the management tabs of the selected MRU. Refer to the “Headend Control Module (HCM) and Web Management GUI v1.6” user manual (CMA-423-AEN) for information on how to configure and manage the MRU.



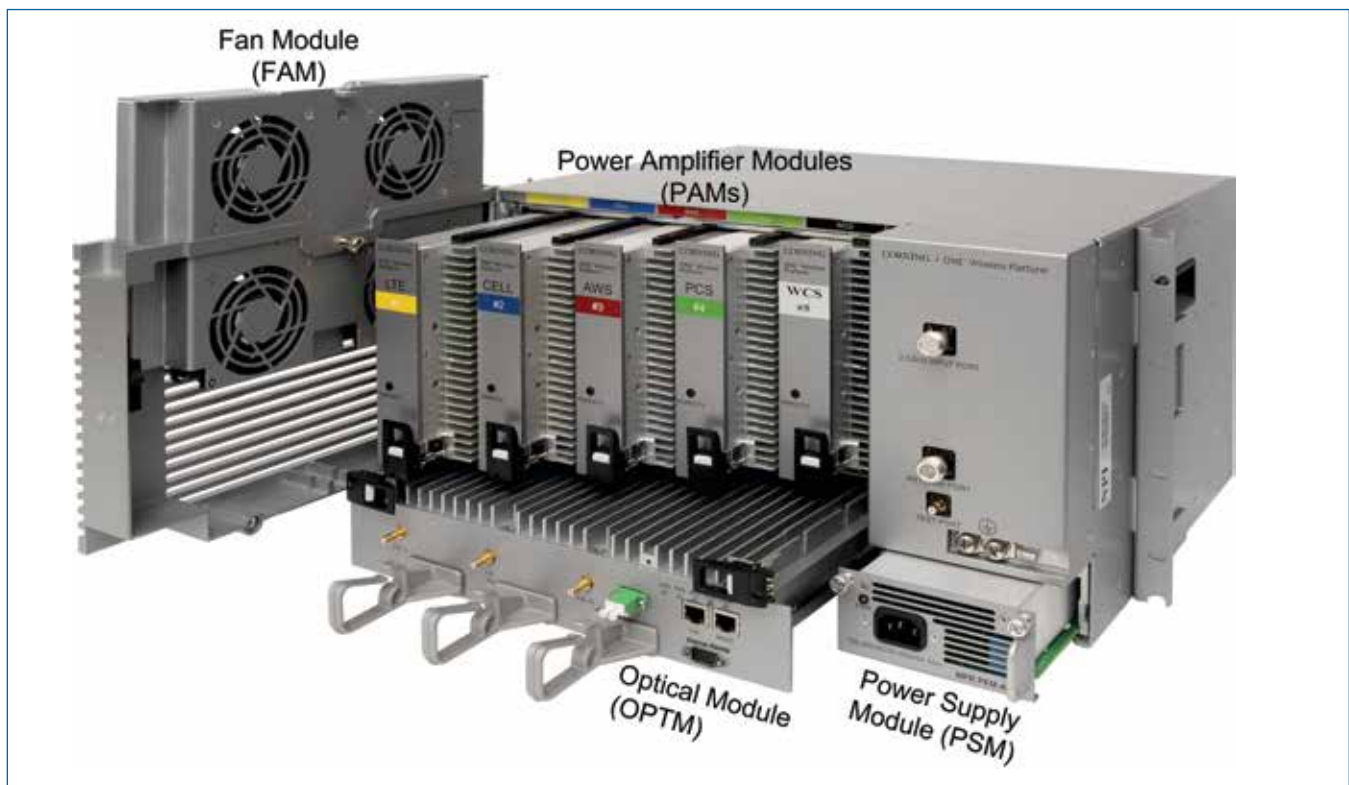
Example of MRU Management GUI (SW v1.6) | Figure 1-3

MRU Interfaces

This chapter provides detailed descriptions of the MRU chassis and main modules and interfaces. This content includes port and LED interface descriptions. The MRU comprises the following main modules:

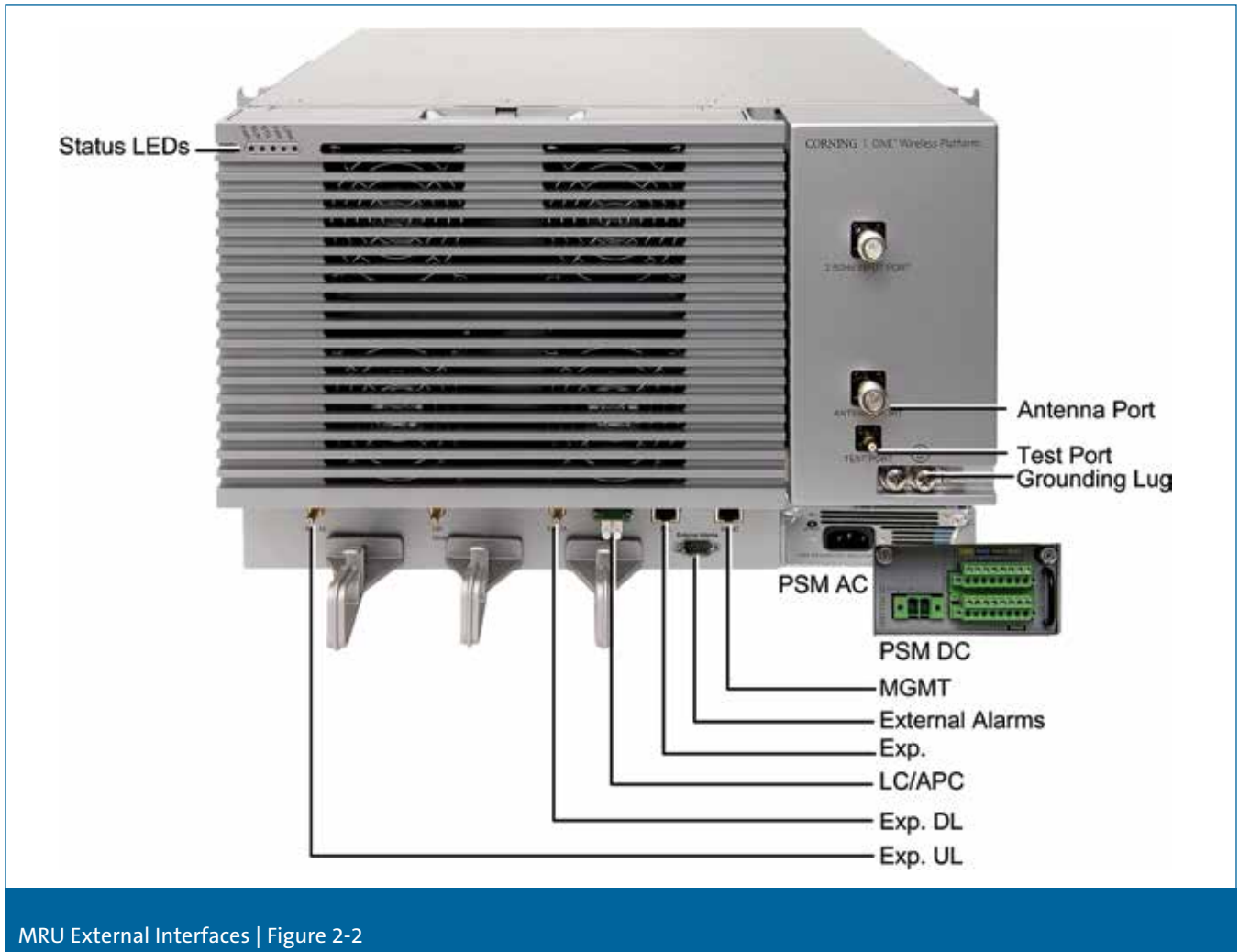
- Power amplifier modules (PAM) – internal service-specific power amplifier module that interfaces to an optical interface module (OIM) at the headend site via a single-mode pair and supports one service. MRU supports up to seven bands. The PAM provides the additional amplification on the DL signals routed from the OIM toward the multiplexer. PAMs are pre-installed in designated slots according to supported band.
- Multiplexer – combines the UL and DL RF signals of the supported services in addition to external RF signal (future option for connecting to external 2.5 GHz signal source) while providing the proper filtering into a single duplexed antenna port.
- Optical Module – includes the fiber optic, RF expansion, and external alarm interfaces.
- Power supply module (PSM) – local AC or remote DC power feed (model dependent).
- Fan module (FAM) – integrated fan module comprised of four fans which are also monitored via the Web GUI.

The MRU includes front panel interfaces (e.g. antenna, fiber optic connections, and LED status indicators) as well as status indicators per each internal module (which are accessed by opening the cabinet door). The following sections provide details on the front panel and internal module interfaces.



MRU Main Modules | Figure 2-1

The MRU front panel includes the RF and fiber optic interfaces in addition to the system level status LEDs and service maintenance ports. The internal PAMs each include a PWR/STS LED.



MRU External Interfaces | Figure 2-2

Port	Description
ANTENNA PORT	4.3-10 type duplexed RF antenna port
TEST PORT	QMA coupling test port used for UL and DL measurements during system operation
2.5 GHz INPUT PORT	N/A (future option); 4.3-10 type RF port for 2.5 GHz external RF source
GND	One two-hole, standard barrel grounding lug (refer to Appendix A: Specifications for grounding lug specifications)

Port	Description
PSM Power Connector	Model dependent: AC models – AC connector connected to power source using provided AC power cable only DC models – two types of terminal block connectors: <ul style="list-style-type: none"> • CLASS2 (default) – two “DC In” 8-pin terminal block connectors for remote feed: one pair for each PAM (total of five pairs) and one pair for the FAM and OPTM; one RSV pair • CLASS1 – one “DC-In” 2-pin terminal block for local plant feed
Exp. UL/DL	SMA RF ports for UL and DL connections to add-on unit (supporting any band across the supported spectrum: 300 MHz to 3 GHz)
List. Mode	N/A
OPTIC	LC APC port for single-mode fiber connection
MGMT	RJ45 Ethernet connection for MRU local management connection
External Alarms	DB9 female external alarm connector for external dry contact alarm connections
Exp.	RJ45 Ethernet connection for add-on local craft

Table 2-1. MRU Interface Ports

LED	Description
PWR	Steady green: Required power is supplied to MRU chassis Off: No power input detected
RUN	Blinking green: Unit is running and operational Rapid blinking green: “Identify” feature has been enabled via the management GUI Off: No power input detected
STS	Steady green: Normal operation; overall status OK Steady red: Indicates generated alarm in unit Blinking red: “Over temperature” alarm active, indicates temperature has exceeded threshold (with door open) <i>Note: Temperature alarm is set as first priority and overrides any other alarm indicator.</i>
FAM	Steady green: All four fans are operating at normal speed (fan alarms clear) Steady red: Fault detected in at least one fan (fan alarm set)
LINK	Steady green: Optical link level from optical module above normal threshold Steady red: Optical link level is lower than normal threshold
(PAM)	Steady green: Power and status of power amplifier module OK. No alarms active Steady red: One or more alarms are active

Table 2-2. MRU LED Descriptions

This chapter provides installation guidelines for the Corning optical network evolution (ONE™) solutions MRU. The following installation rules are based on the assumption that the site survey and installation planning (including power requirements) have been completed. This preparation includes planning the distribution of antennas to provide the required coverage, as well as planning the layout of the devices and cables in the telecom closet or shaft.

3.1 Site Considerations

- The distance between the MRU service antenna and the coverage area should correspond to line of sight (LoS) requirements for maximum coverage area.
- The maximum fiber path loss is 5 dB.
- The system delay of the optical system must be taken into consideration when there are neighboring BTS sites overlapping in coverage.

3.2 Safety Guidelines

Before installing the equipment, review the following safety information:

- Follow all local safety regulations when installing the equipment.
- Only qualified personnel are authorized to install and maintain the repeater.
- Ground specified equipment with the provided grounding bolt.
- Do not use the grounding bolt to connect external devices.
- Follow electrostatic discharge (ESD) precautions.
- Use low-loss cables to connect the antennas.

3.3 Installation Requirements

- Mounting surface shall be capable of supporting the weight of the equipment.
- In order to avoid electromagnetic interference, a proper mounting location must be selected to minimize interference from electromagnetic sources such as large electrical equipment.
- Working space available for installation and maintenance for each mounting arrangement.
- Ensure unrestricted airflow.
- Ensure grounding connector is within reach of the ground wire.
- Ensure a power source is within reach of the power cord and the power source has sufficient capacity.
- Where appropriate, ensure unused RF connectors are terminated.
- Do not locate the equipment near large transformers or motors that may cause electromagnetic interference.
- Reduce signal loss in feeder cable by minimizing the length and number of RF connections.
- Ensure the equipment is operated within the stated environment (refer to Appendix A: Specifications or unit datasheet).
- Where appropriate, confirm availability of suitably terminated grade of RF and optical fiber.
- Observe handling of all cables to prevent damage.

3.3.1 Rack Safety Instructions

The following guidelines are relevant to the rack installed units. Review the following guidelines to help ensure your safety and protect the equipment from damage during the installation.

- Only trained and qualified personnel should be allowed to install or replace this equipment.
- The equipment has been designed to operate at the temperature range as stated in the product specifications. Verify that ambient temperature of the environment does not exceed the maximum MRU operating temperature of 65°C (149°F).
- **IMPORTANT!** If installed in a closed or multi-unit rack assembly, the operating ambient temperature of the rack environment may be greater than the room ambient. Therefore, ensure that the installation environment complies with the maximum MRU operating temperature.
- Ensure that adequate airflow and ventilation within the rack and around the installed components so that the safety of the equipment is not compromised. It is recommended to allow for at least about 1 in of airspace between devices in the rack.
- Verify that the equipment is grounded as required – especially in installations using supply connections other than direct connections to the branch circuit (e.g. use of power strips).

3.3.2 Rack Installation Guidelines

- To maintain a low center of gravity, ensure that heavier equipment is installed near the bottom of the rack and load the rack from the bottom to the top.
- Verify that the rack height can support the unit to be installed (MRU rack height = 6U), where you may also want to consider future installations.

3.4 Power Requirements

3.4.1 Power Safety Instructions

⚠ SAFETY WARNINGS! When installing or selecting the power supplies:

- For AC models – only use the provided AC power cable (straight, U.S. 10 A, UL, L = 1.8-2.5 m, black, 110 V) to connect the power supply to the MRU.
- Be sure to disconnect all power sources before servicing.
- Calculate the required power according to the requirements of the specific installation and then determine the configuration of the power supplies. The required DC cables will then be determined by the selected power supply configuration.
- Use only UL-approved power supplies.
- Install external overcurrent protective devices for the system according to the power specifications described in Section 1.2.3.

3.4.2 Types of Power Supplies

Corning supplies various power supplies that can be installed in a rack or mounted on a wall, depending on your configuration.

3.4.3 Circuit Breakers

Calculate the required fuse protection while referring to power specifications described in Appendix A: Specifications. When installing fuse protections for the system, make sure to take into account other Corning system elements that may require external fuse protection as well.

3.4.4 Cable Routing

Ensure all cables, e.g. power cable, feeder cable, optical fiber, commissioning cable, connecting are properly routed and secured to avoid damage.

3.5 RF Coaxial Cable Guidelines

3.5.1 General RF Cable Installation Procedures

Note: The installer should be familiar with the ANSI/TIA/EIS-568 Cabling Standard guidelines.

- Observe the general cable installation procedures that meet with the building codes in your area. The building code requires that all cabling be installed above ceiling level (where applicable). The length of cable from the risers to each antenna must be concealed above the ceiling.
- The cable must be properly supported and maintained straight using Velcro® cable ties, cable trays, and clamps or hangers every 10 ft (where practical above ceiling level). Where this is not practical, the following should be observed:
 - The minimum bending radius of the supplied 1/2-in coax cable should be 7 in.
 - Cable that is kinked or has a bending radius smaller than 7 in must be replaced.
 - Cable runs that span less than two floors should be secured to suitably located mechanical structures.
 - The cables should be supported only from the building structure.
- All cables shall be weather-resistant type.
- Cable length is determined by the system installation plan. When calculating the cable length, take into account excess cable slack so as not to limit the insertion paths.

3.5.2 RF Rules

- Use coax RG-223, 50 Ohm, male-to-male QMA to N-type for RF connections from the RIMs to the BTS and 4.3-10 type for MRU.
- When using the Corning remote unit in an environment in which other indoor coverage systems are installed, it is recommended (where possible) that the antennas are placed at least 2 m apart.
- When bending coax cables, verify that the bending radius does not exceed the coax specifications.
- Use wideband antennas supporting a range of 300 MHz to 3 GHz.

- Terminate all unused MRU RF ports with a 50 Ohm load.
- Make sure that the VSWR measured at the coax cable meets the product specification. The VSWR must be measured before terminating the MRU RF ports in the remote communication rooms.

3.5.3 Coax Cable Lengths and Losses

Use coax RG-223, 50 Ohm, for RF connections between MRU and DAS antennas.

Note: The required distance between the antennas (installed in the ceiling) depends on the infrastructure and calculated path loss. For example, if there is free space-loss between the antennas, a minimum distance of 100 ft is required; if there are partitions (loss) between the antennas, a distance of less than 100 ft between them is allowed.

- Observe the general cable installation procedures that meet with the building codes in your area. The building code requires that all cabling be installed above ceiling level (where applicable). The length of cable from the risers to each antenna must be concealed above the ceiling.

Coax Length	Coax Loss (900 MHz)	Connector Loss	Total Loss
30	0.7	1.5	2.2
40	0.9	1.5	2.4
50	1.1	1.5	2.6
60	1.3	1.5	2.8
70	1.5	1.5	3
80	1.7	1.5	3.2
90	1.9	1.5	3.4
100	2.1	1.5	3.6
110	2.3	1.5	3.8
120	2.5	1.5	4
130	2.7	1.5	4.2
140	2.9	1.5	4.4
150	3.1	1.5	4.6
160	3.3	1.5	4.8
170	3.5	1.5	5
180	3.7	1.5	5.2
190	3.9	1.5	5.4
200	4.1	1.5	5.6

Table 3-1. Description of Coax Length and Losses

3.6 Antenna Specifications and Guidelines

Determine the antenna installation configuration according to the transmission and coverage requirements and the installation site conditions.

3.6.1 Authorized Antennas and Required Specifications

- External antennas – no limitation on any vendor of available external antennas with respect to the following requirements:
- Omnidirectional or directional, Supported frequency range: wideband antennas supporting a range of 700 to 2600 MHz, Gain: up to 12.5 dBi, Impedance: 50 Ohm.
- Couplers – use N-male to N-female broadband coupler separately ordered from Corning (P/N AK-1COUPLER-NM-NF) or the equivalent:
- Broadband frequency: 300-3000 MHz, -20 dB coupling (SMA coupling port), Maximum VSWR/return loss: 12 dB, Maximum insertion loss: 0.2 dB
- Number of antennas that can be connected (with cables/splitters) – it is not recommended to connect more than one antenna per connector since 1:1 connectivity is reduced with each split.
- Types of couplers/splitters – depends on number of splits (not recommended).

3.6.2 General Installation Guidelines

- The MRU should be installed at a convenient location, free of metallic obstruction (can also be installed in plenum spaces).
- Install the MRU at the designated height and tune it roughly toward the service coverage area.
- Installation of this antenna must provide a minimum separation distance of 100 cm from any personnel within the area.
- Cable and jumper loss is at least 2 dB.

3.7 Fiber Optic Requirements

3.7.1 Authorized Optical Cables

The following specified optical cables are authorized for use with the MRU product:

- Composite plenum tether assemblies
- Fiber: LC APC, 2-24 fibers
- cu: 16, 14, 12 AWG; 2-12 conductors
- Armored, non-armored

3.7.2 Fiber Optic Rules

- Use only LC APC connectors.
- UniCam[®] connectors can be used for field termination.
- Use only fusion splice for connecting two fibers.
- Use minimum splicing/connectors to achieve minimum losses on the fibers (< 0.5 dB).
- Use precaution while installing, bending, or connecting fiber optic cables:
 - Fiber optic cable is sensitive to excessive pulling, bending, and crushing forces. Consult the cable specification sheet for the cable you are installing.
 - Do not bend cable more sharply than the minimum recommended bend radius.
 - Do not apply more pulling force to the cable than specified.
 - Do not crush the cable or allow it to kink. Doing so may cause damage that can alter the transmission characteristics of the cable. The cable may have to be replaced.
- Use an optical power meter and light source for checking the fiber optic cables.
- Make sure the environment is clean while connecting/splicing fiber optic cables.
- All fiber optic connectors should be cleaned prior to connecting to the system.

- Fiber connector protective caps should be installed on all non-terminated fibers and removed just before they are terminated.
- Pay special attention while connecting the LC APC connectors – ensure that you hear a “click,” indicating a secure connection.
- Never look directly into the end of a fiber that may be carrying laser light. Laser light can be invisible and can damage your eyes.

3.8 Grounding Requirement

Verify that the equipment has been well grounded (refer to the grounding lug on the bottom front panel of the MRU chassis). This requirement includes antennas and all cables connected to the system. Ensure lightning protection for the antennas is properly grounded. See Section 4.3 for MRU grounding connection.

3.9 Manual Handling

During transportation and installation, take necessary handling precautions to avoid potential physical injury to the installation personnel and the equipment.

This document describes the installation procedure for the Corning optical network evolution (ONE™) solutions mid-power remote unit (MRU). Please refer to Chapter 3 – Installation Guidelines for specific guidelines on infrastructure planning, design, and installation or consult with a Corning product line manager or Corning-approved installer.

4.1 Unpacking and Inspection

Unpack and inspect the cartons as follows:

1. Open the shipping cartons and carefully unpack each unit from the protective packing material.
2. Verify that all the items listed in Table 4-1 are included in the MRU package. If any of the listed items are missing, contact your Corning representative.
3. Check for signs of external damage. If there is any damage, call your Corning representative.


Kit	Item Description		Quantity	Image
MRU	Mid-Power Remote Unit <i>Note: See "Appendix B: Ordering Information" for MRU part numbers.</i>		1	
	Hosted Modules (pre-installed)*	Service-Specific Power Amplifier Modules (PAM) – pre-installed according to ordered configuration	1-5	
		Fan Module (FAM)	1	
		AC or DC (model dependent) Power Supply Module (PSM)	1	
	AC Power Cable (AC models only)	Power Cable, straight, U.S., 10 A, UL, L = 1.8-2.5 m, black, 110 V	1	
	Rack Ears for 19-in rack (factory assembled onto sides of MRU)		2	

Table 4-1. MRU Kits

** ATTENTION! In the event that a PAM or the OPTM needs to be removed from the chassis, make sure to first press the release button on the module and then pull out using the handle. Any attempt to pull out the module without first releasing may cause damage. Refer to Section 5.1 for more details. Corning will not be liable for damage of products resulting from improper handling during installation or repair.*

4.2 Mounting the MRU

The MRU supports two types of mounting installations:

- 19-in rack installation (Section 4.2.1)
- Wall-mount installation (Section 4.2.2)
- Outdoor installation – the MRU can be installed in a separately ordered outdoor enclosure; Refer to Section 4.2.3 for instructions on how to install the MRU in a Purcell Systems cabinet (FlexSure® 12-2420).

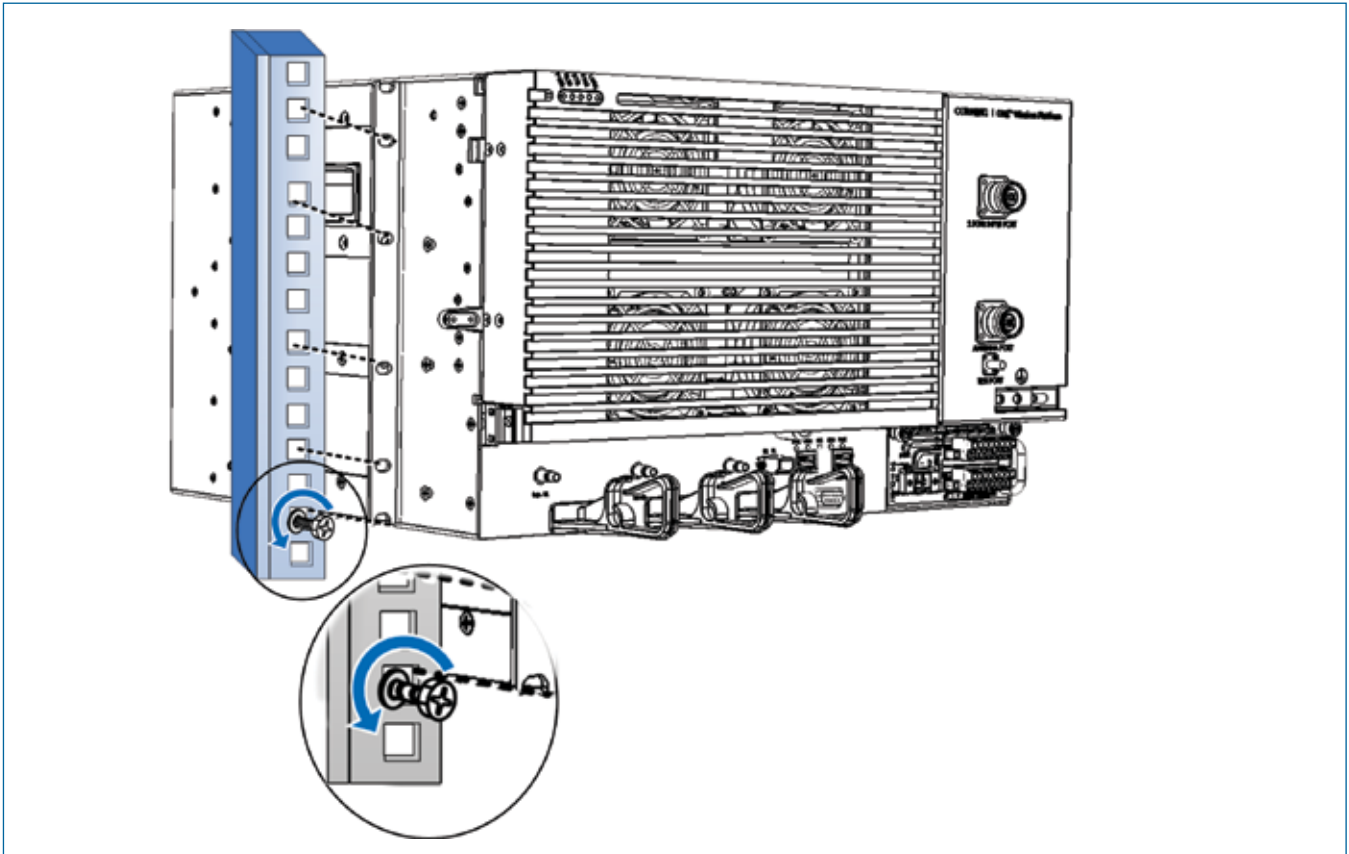
4.2.1 Rack Installation

Note the following:

- MRU chassis requires 6U rack height availability.
- Rack nuts and screws not provided.

To install MRU in rack

1. Determine the location of the MRU in the rack while considering additional units (e.g. power supply).
2. Referring to Figure 4-1, secure the units' rack ears to the rack frame as follows:
 - Insert two screws halfway into the rack frame (one on each side).
 - Position the bottom half slots of the chassis rack ears on to the screws.
 - Secure the unit in the rack via the three remaining applicable bracket holes using the appropriate rack nuts and screws.



Example of MRU Chassis Rack Installation | Figure 4-1

4.2.2 Wall-Mount Installation

Note the following:

- MRU wall-mount brackets are not included with the MRU package and are ordered separately (P/N: BR-MRU-W).
- The mounting surface shall be capable of supporting the weight of the equipment. The weight of a fully populated MRU chassis is 70.55 lbs (32 kg).
- The installer is responsible for accommodating the installation to the surface type.

4.2.2.1 Unpacking and Inspection

Unpack and inspect the carton as follows:

1. Open the shipping carton and carefully unpack each unit from the protective packing material.
2. Verify that all the items listed in Table 4-2 are included in the wall-mount bracket package. If any of the listed items are missing, contact your Corning representative.
3. Check for signs of external damage. If there is any damage, call your Corning representative.



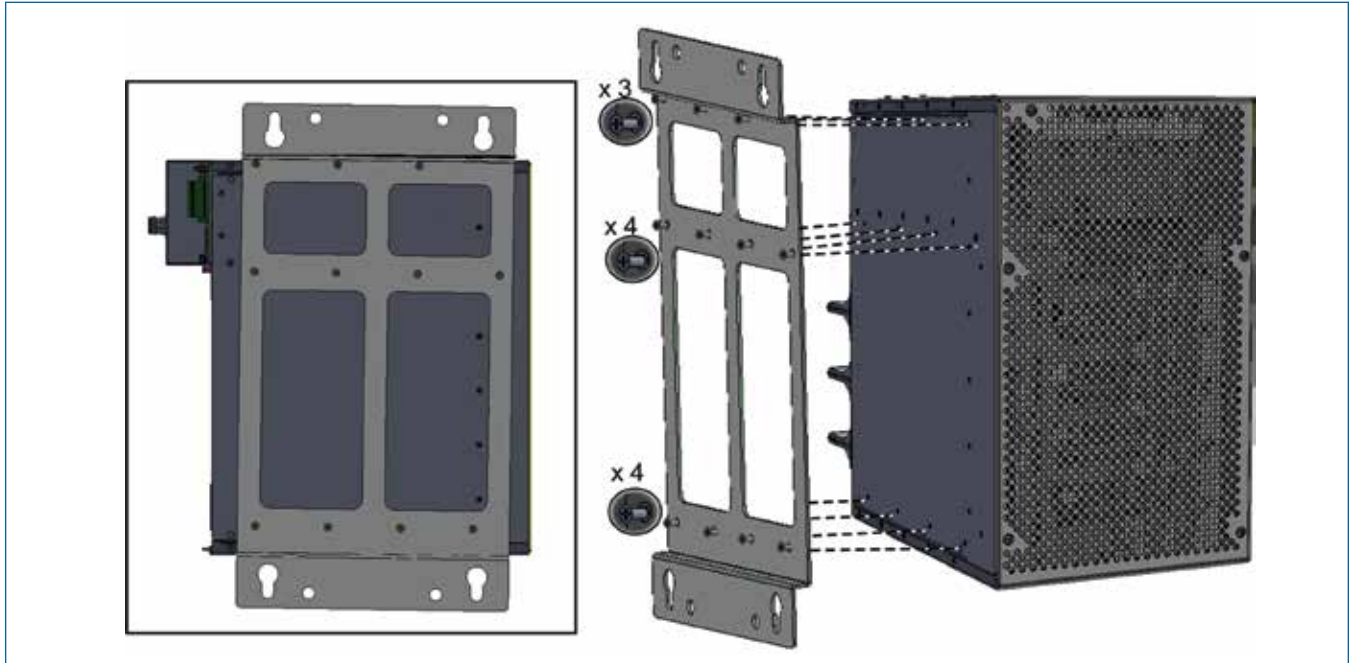
Item	Quantity	Image
Wall-Mount Bracket	1	
Screws, flat head, 8-32 x 3/8	11	

Table 4-2. MRU Wall-Mount Bracket Package Items

4.2.2.2 Mounting MRU on Wall

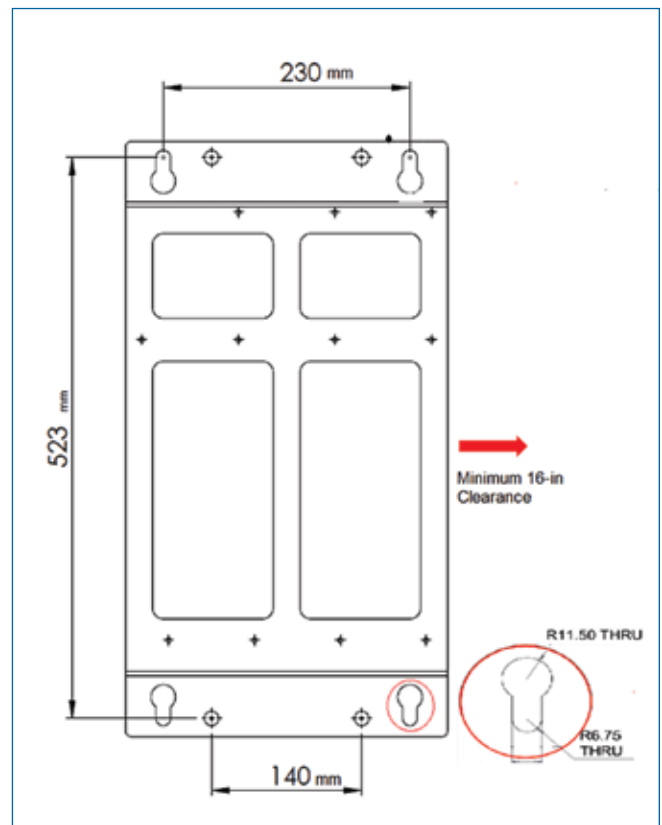
1. Assemble wall-mount bracket to MRU underside.



Assembling Bracket onto MRU | Figure 4-2

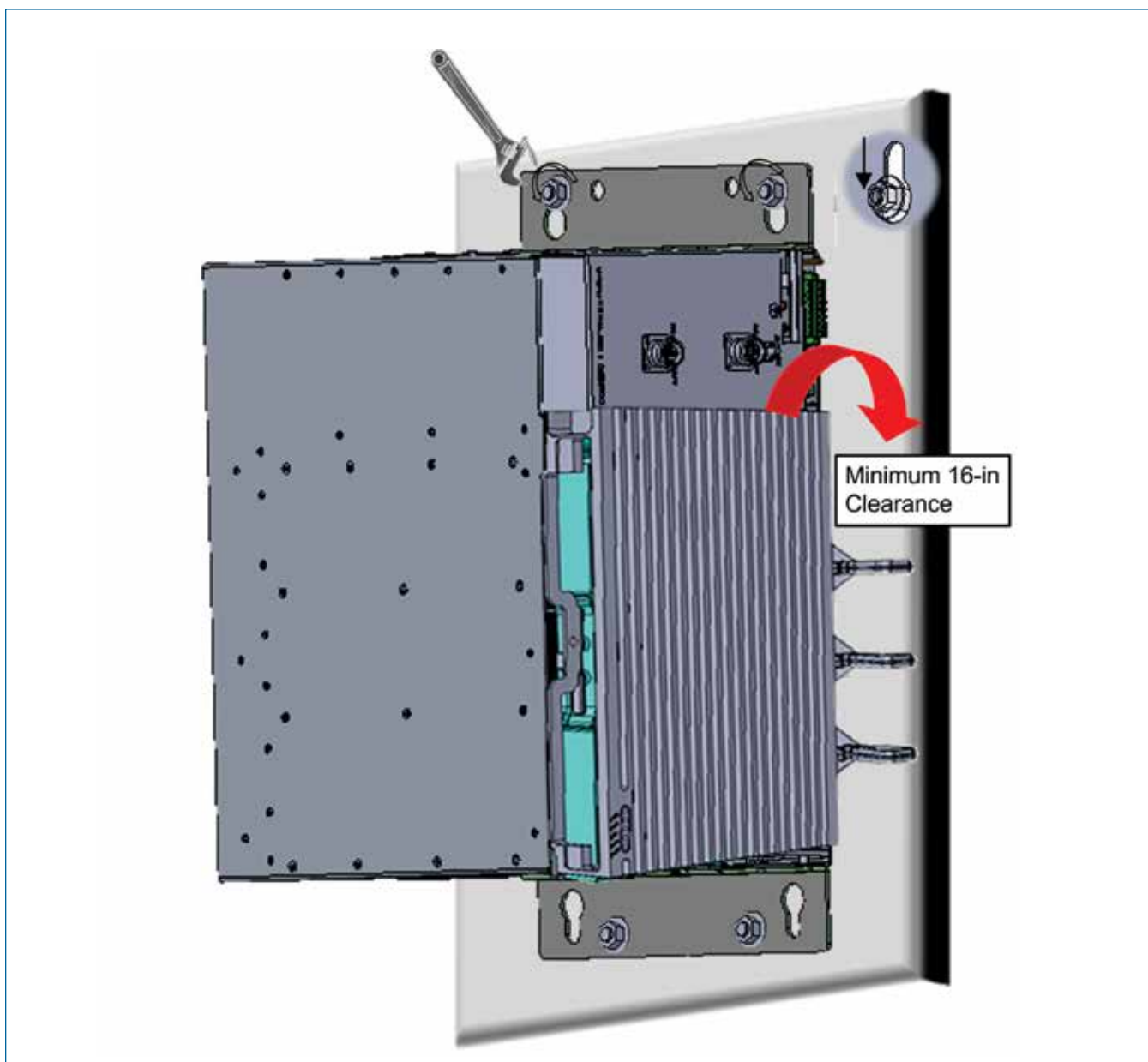
2. Select location and mark and drill appropriate holes in wall.

⚠ IMPORTANT! MRU is installed belly-to-the-wall with door opening rightward. If installed near a right facing wall, make sure that there is at least 16 in of clearance to open the door to the right and to successfully remove and replace all modules.



Wall-Mount Bracket Dimensions | Figure 4-3

2. Insert anchors in wall, hang unit, and tighten to secure.



Mounting MRU on Wall | Figure 4-4

4.3 Grounding MRU Chassis

The grounding connection is performed via a two-hole, standard barrel grounding lug located on the front of the MRU chassis (see Figure 4-5).

Required tools and components

The following additional (not supplied) tools and components are required for connecting the system ground:

- Grounding wire – The grounding wire should be sized according to local and national installation requirements. The provided grounding lug supports 14 to 10 AWG stranded copper (or 12 to 10 AWG solid) wire conductors.

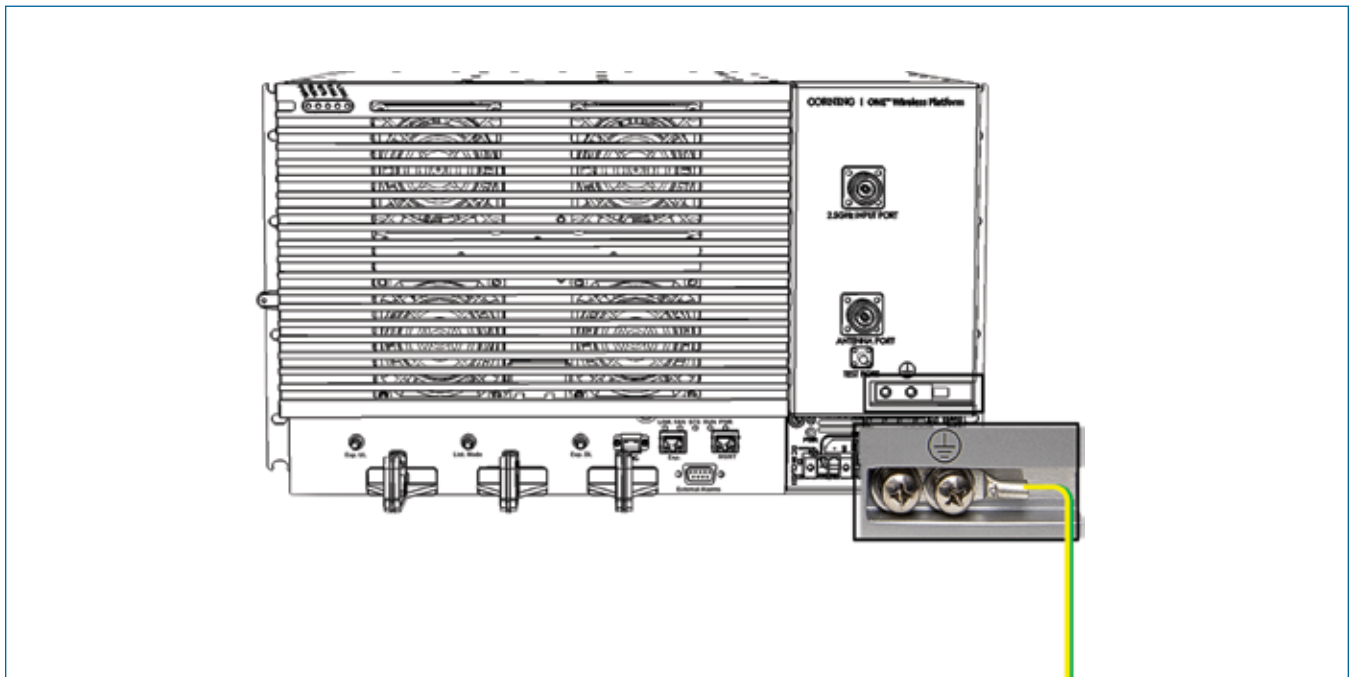
Note: The length of the grounding wire depends on the proximity of the switch to proper grounding facilities.

- Phillips screwdriver.
- Crimping tool to crimp the grounding wire to the grounding lug.

- Wire-stripping tool to remove the insulation from the grounding wire.

Connecting system ground

1. Use a wire-stripping tool to remove approximately 0.4 in (10.9 mm) of the covering from the end of the grounding wire.
2. Insert the stripped end of the grounding wire into the open end of the grounding lug.
3. Crimp the grounding wire in the barrel of the grounding lug. Verify that the ground wire is securely attached to the ground lug by holding the ground lug and gently pulling on the ground wire.
4. Prepare the other end of the grounding wire and connect it to an appropriate grounding point at the site to ensure adequate earth ground.

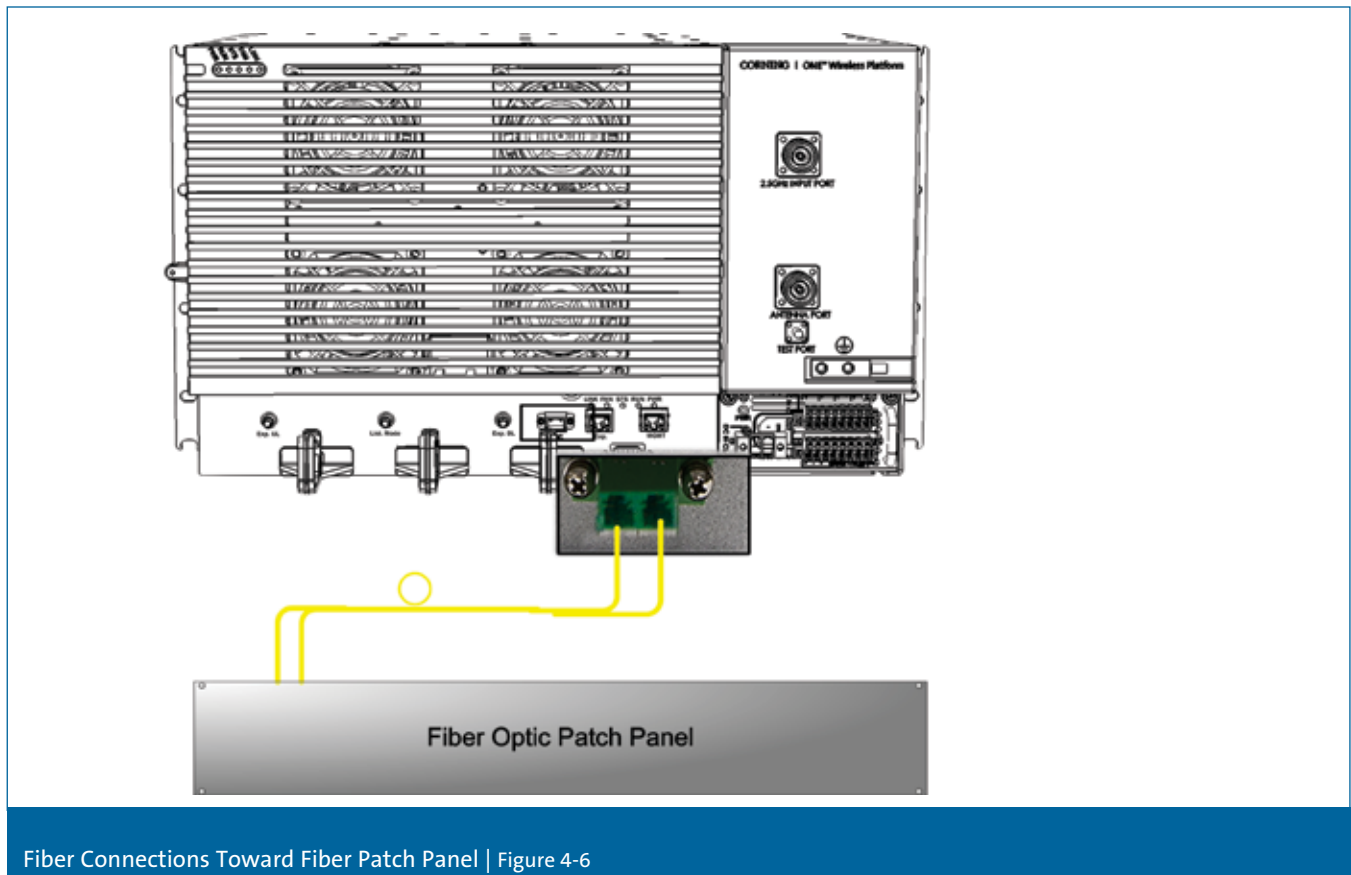


MRU Grounding Lug Connection | Figure 4-5

4.4 Fiber Connections

To connect optical fiber

1. Remove the LC APC connector plugs.
2. Using Corning® SMF-28® fiber (or compatible), connect the MRU LC APC fiber connector to the fiber patch panel. See Figure 4-6.

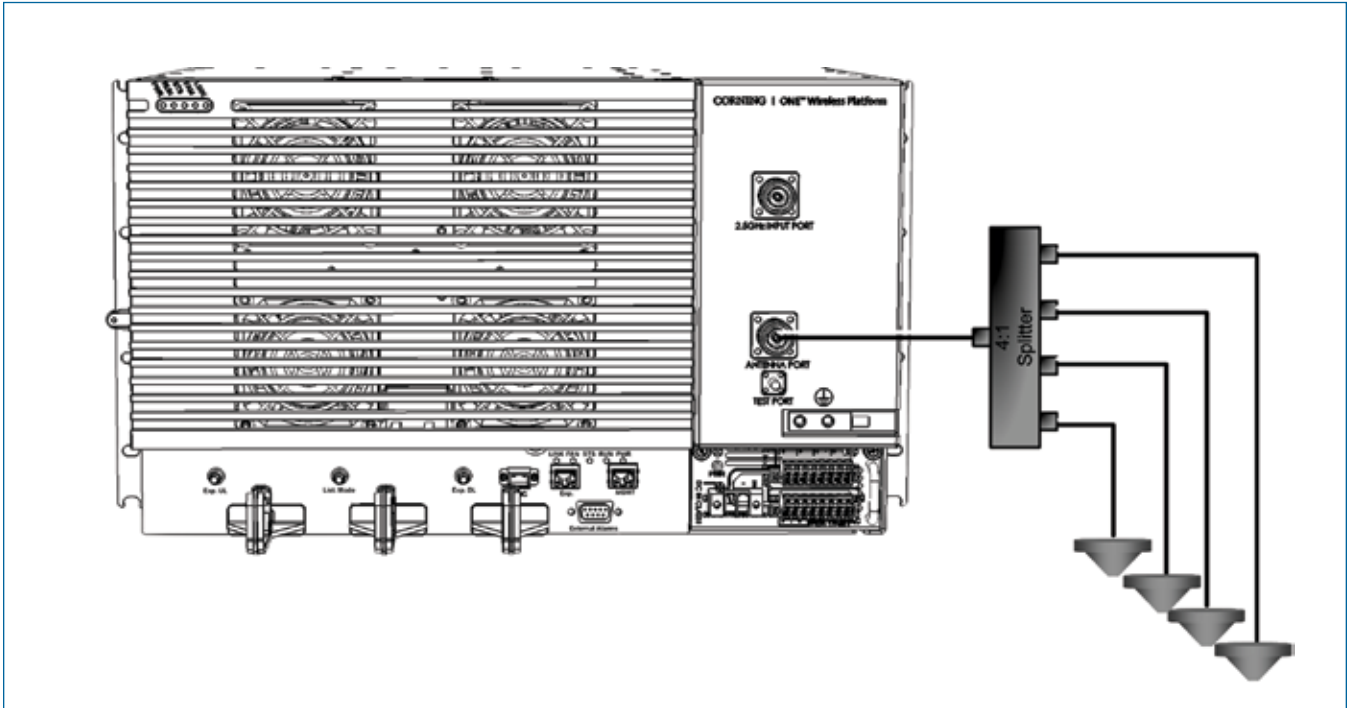


Fiber Connections Toward Fiber Patch Panel | Figure 4-6

4.5 RF Antenna Connections

Connect the MRU male DIN type 4.3-10 duplexed RF “ANTENNA” port to the broadband antenna(s) using appropriate coax cables. See Figure 4-7.

The MRU includes one 4.3-10 type RF port used for connecting to a 2.5 GHz external RF source (e.g. picocell).



Example of MRU Connections to Broadband Antennas (via splitter) | Figure 4-7

4.6 Power Connections

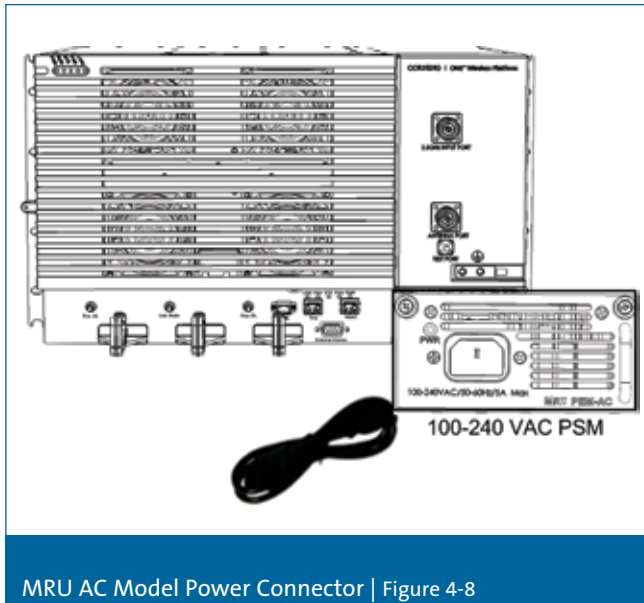
The MRU power connections depend on the type of power module (AC or DC). The PSM is located on the bottom right of the chassis front.

- Refer to Section 4.6.1 for AC model power connections
- Refer to Section 4.6.2 for DC model power connections

4.6.1 AC Models

Using the provided AC power cable only, simply connect the MRU AC power connector to the AC power source. Note the following:

- Power input: 100-240 VAC/50-60 Hz
- Power consumption: 360 W (maximum)
- Maximum AC current consumption: 5 A



MRU AC Model Power Connector | Figure 4-8

4.6.2 DC Models

DC models include two types of terminal block connectors:

- CLASS2 (default) – two 8-pin terminal block connectors for remote feed (see Section 4.6.2.1).
- CLASS1 – one 2-pin terminal block for local plant feed. To use CLASS1, user must change default connector mode from CLASS2 to CLASS1 (see Section 4.6.2.2).

4.6.2.1 CLASS2 Connector (remote feed)

The CLASS2 DC connector supports one pair for each installed PAM (up to five pairs), one pair for OPTM and FAM, and one reserved pair (RSV) for future use. Refer to Figure 4-9.

DC CLASS2 connector specs:

- Supported wire AWG:
 - Conductor cross-section, solid (AWG/mm²): 30-12/0.2-2.5
 - Conductor cross-section, flexible (AWG/mm²): 30-12/0.2-2.5
- Wire strip length: 9-10 mm
- DC power input:
 - DC class 1: 48 VDC (40-60 VDC) 9 A maximum
 - DC class 2: 24/48 VDC (20-60 VDC) 1.75 A maximum per pair
 - Power amplifier consumption per pair: 50 W
- Maximum power consumption: 330 W
- Maximum current consumption: 1.75 A per pair

To perform CLASS2 DC connector wiring – for each DC pair:

1. Identify the positive and negative terminals for the DC pair to be wired on the CLASS2 connector feed positions. The wiring sequence is positive to positive and negative to negative as shown in Figure 4-9.
2. Use a wire-stripping tool to remove the covering from the end of the DC wire pairs.

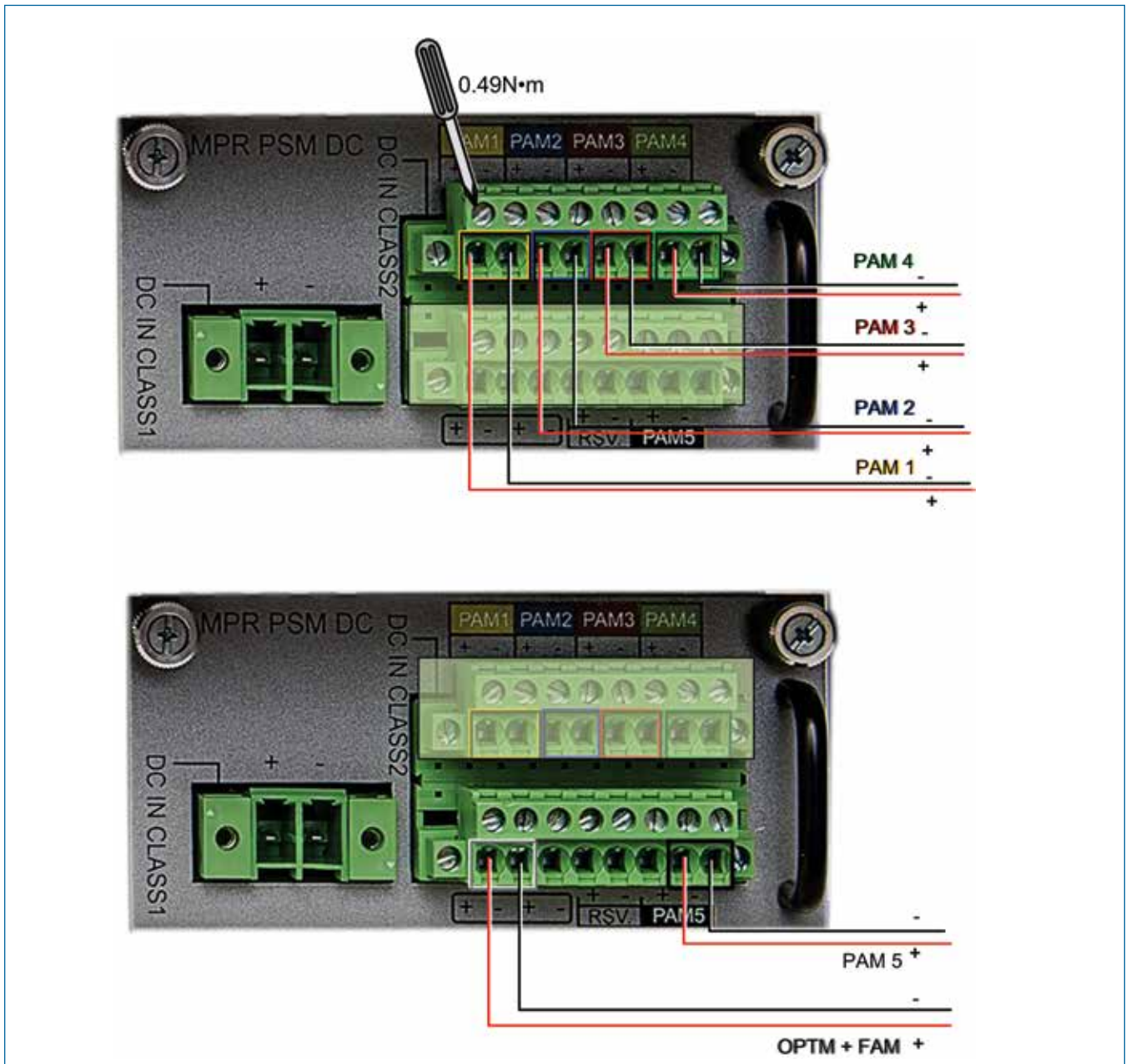
3. Open the terminal block screw above the negative feed position and then insert the exposed black wire (negative feed) into the terminal block.

Note: Ensure that no exposed portion of the DC wires extends from the terminal block plug.

4. Torque the terminal block captive screw (above the installed wire lead), using a ratcheting torque screwdriver. Recommended torque is 0.49 N•m.

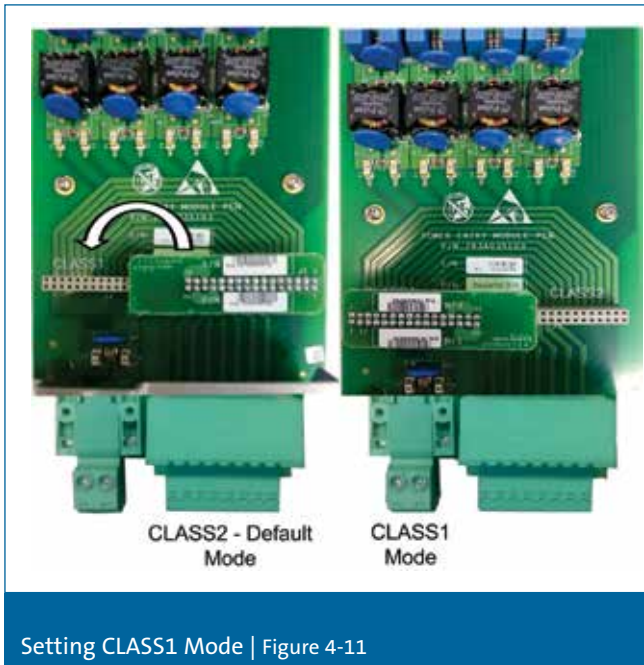
5. Repeat the same process as in Steps 3 and 4 for remaining positive feed (exposed red wire).

⚠ CAUTION! Secure the wires coming in from the terminal block so that they cannot be disturbed by casual contact. For example, use tie wraps to secure the wires to the rack.



Example of CLASS2 DC Wiring Connections | Figure 4-9

2. Move DC bridge from CLASS2 position to CLASS1 to set DC input source type to “CLASS1” connector. Refer to Figure 4-11.



3. Push PSM back in slot and close captive screws.
4. Identify the positive and negative terminals for the DC pair to be wired on the CLASS1 connector feed positions. The wiring sequence is positive to positive and negative to negative.
5. Use a wire-stripping tool to remove the covering from the end of the DC wire pairs.
6. Open the terminal block screw above the negative feed position and then insert the exposed black wire (negative feed) into the terminal block.

Note: Ensure that no exposed portion of the DC wires extends from the terminal block plug.

7. Torque the terminal block captive screw (above the installed wire lead), using a ratcheting torque screwdriver. Recommended torque is 0.49 N•m.
8. Repeat the same process as in Steps 6 and 7 for remaining positive feed (exposed red wire).

⚠ CAUTION! Secure the wires coming in from the terminal block so that they cannot be disturbed by casual contact. For example, use tie wraps to secure the wires to the rack.

4.7 Outdoor Installation

This section provides instructions on how to install the MRU in a Purcell Systems cabinet (FlexSure 12-2420) and perform external alarm connections between the unit and the enclosure.

Note the following:

- The MRU, outdoor enclosure, and required dry contact alarms cable are each ordered separately.
- Additional relevant documentation – Purcell Systems FlexSure® 12-2420 installation manual provided with the cabinet.
- Only trained and qualified personnel should be allowed to install, replace, or service this equipment.
- The MRU connections are performed after the chassis is installed in cabinet.

4.7.1 Items Required for Outdoor Installation

Refer to Table 4-3 for the items required for installing the MRU in the outdoor enclosure.

Kit	Item	Quantity
FLX12-2420 Enclosure	Purcell Systems FlexSure® 12U Outdoor GR-487 Enclosure for single MRU installations in SISO cabinets: Purcell Systems P/N: 2000003905 FLX12-2420, 39W/C HEX, right hinge door Purcell Systems P/N: 2000003974 FLX12-2420, 39W/C HEX, left hinge door	1
MRU	Mid-Power Remote Unit	1
FLX12-2420 Pole-Mounting Kit (optional)	P/N 2000003986 Platform Pole-Mount Kit for FLX12-2420 SISO and FLX16-2520 MIMO	1
FLX12-2420 Wall-Mounting Kit (optional)	P/N 2000003985 Wall-Mount Kit for FLX12-2420 SISO	1
External Alarms Cable (AK-MRU-DCA-CBL)	DB9 Male Open Wire Cable for external alarm connections	1

Table 4-3. Items Required for Outdoor Installation

Additional required items (not provided):

- Standard electrician tools (including ratchet wrench with extension bar and 8 mm socket) for tightening self-drilling screws securing MRU chassis to cabinet rails)
- Assorted cable ties
- 90-degree right angle 4.3-10 type male connector coax cables – one for antenna connection and one for external 2.5 GHz RF source connection (if relevant)
- Recommended – flexible cable conduits for routing connections cables through cabinet knockouts; refer to Figure 4-6 for relevant knockouts. Following are recommended Heyco part numbers for flexible conduits:

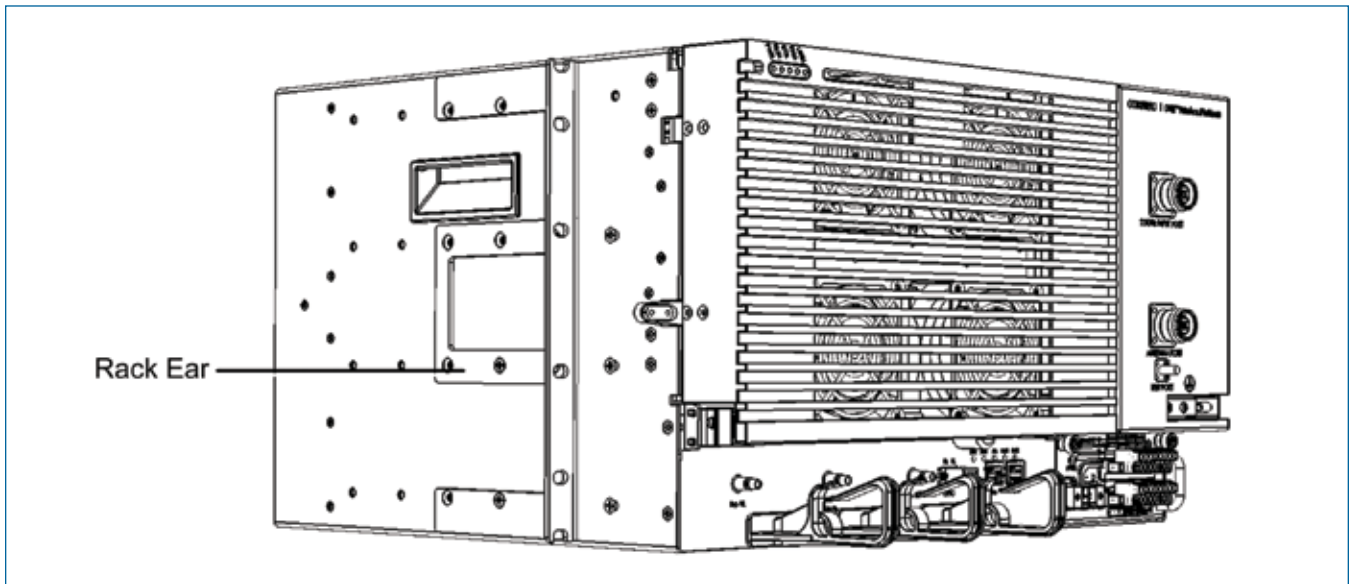
Manufacturer P/N	Description
8406	HFC 1 Conduit Fitting with 8467 nut, 1-in thread, black
8453	HF2 1 Tubing, 100-ft coil, black
8456	HFC 2 Tubing, 50-ft coil, black
8642	HFC 2 Conduit Fitting, 2-in thread, black

Table 4-4. Recommended Conduits

- Sealing material for knockouts – if not using conduits

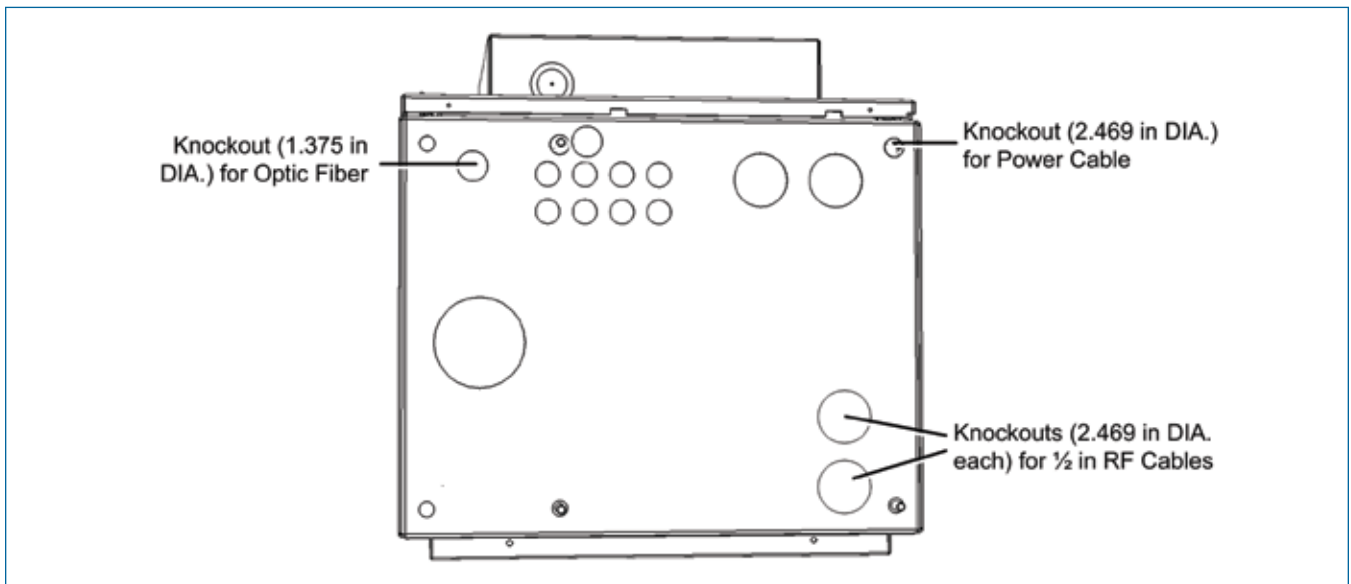
4.7.2 Pre-Installation Procedures

1. Remove each rack ear and reassemble according to position shown in Figure 4-12.



Required Position of MRU Rack Ears | Figure 4-12

2. Referring to Figure 4-13 for relevant knockouts, use appropriate knockout tools to punch out knockouts for routing connection cables.



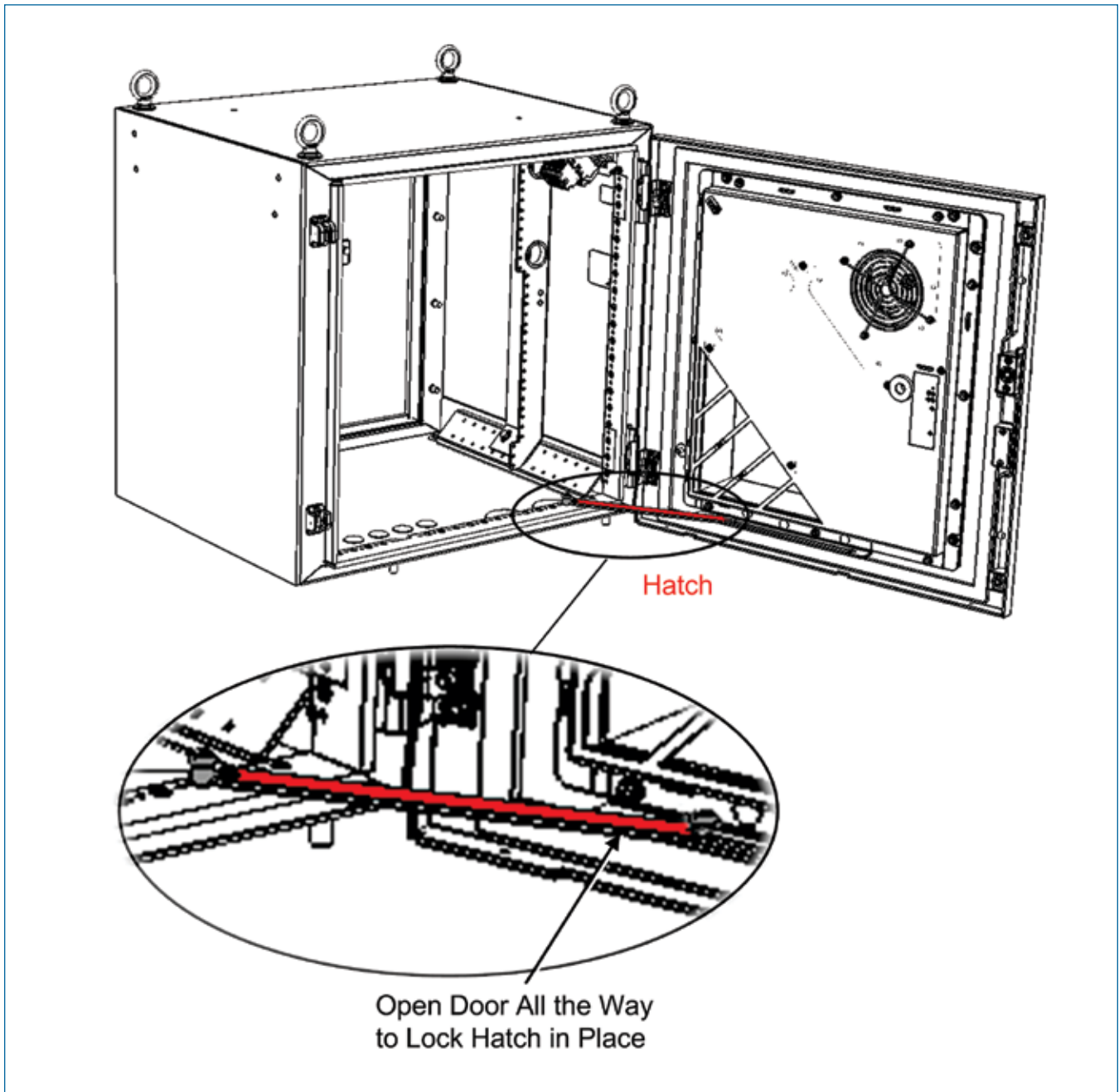
Required Knockout Positions | Figure 4-13

4.7.3 Install MRU in Cabinet

1. Carefully lay cabinet on backside (so door faces upward) and open door.

⚠ ATTENTION! Make sure that the door hatch locks into the door rail in order to avoid closing of door while installing the chassis. See Figure 4-14.

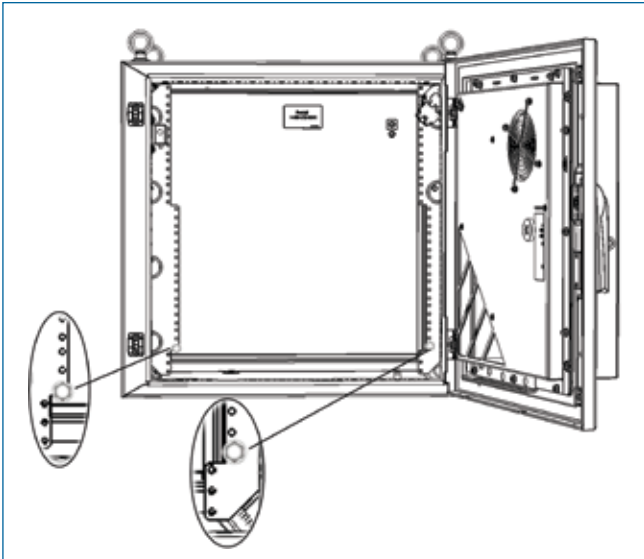
Note: Push hatch inward toward the door to release and close the cabinet.



Opening Cabinet Door and Locking in Place | Figure 4-14

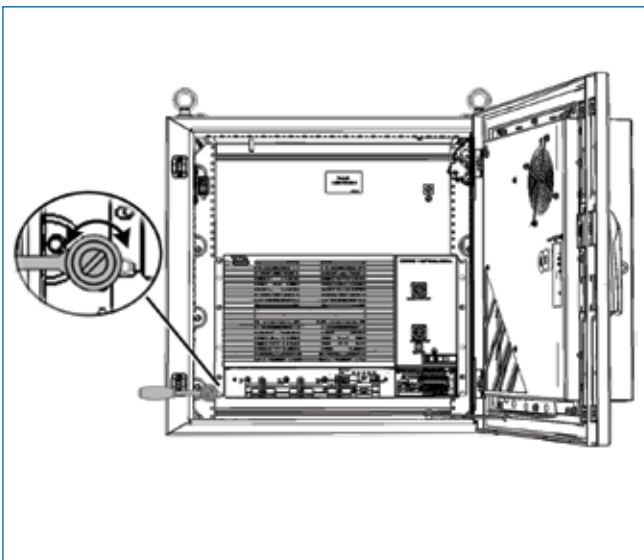
2. Insert one 8-mm self-tapping screw (provided with the cabinet) halfway into the bottom hole of each rail. Refer to Figure 4-15.

Note: An extension bar may be required to access the screws due to narrow space between chassis and cabinet rails.



Self-Tapping Screw Inserted in Each Rail | Figure 4-15

3. Position the bottom half slots of the MRU rack ears onto the protruding screws and tighten the screws using a ratchet wrench. Refer to Figure 4-16.



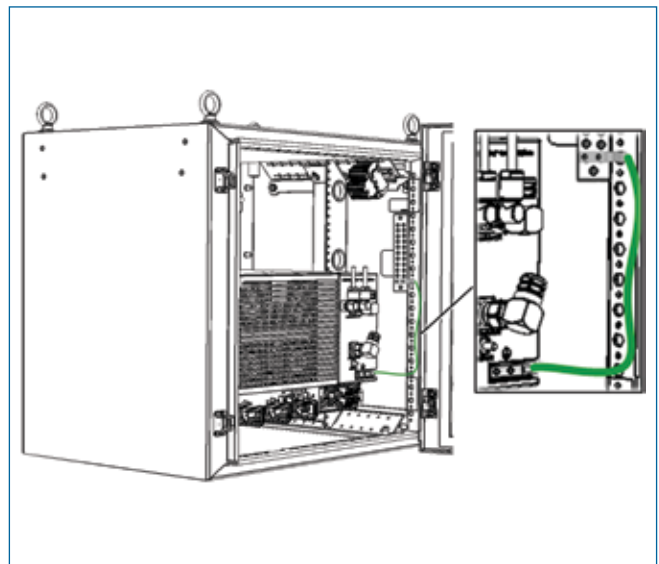
Securing MRU to Cabinet Rails | Figure 4-16

4. Insert at least two additional screws into each of the cabinet rails to safely secure MRU and tighten.
5. (Optional) Insert the appropriate conduits (refer to Table 4-4 in Section 4.7.1 for recommended part numbers) in each of the punched out knockouts.

4.7.4 MRU Connections

Note the following:

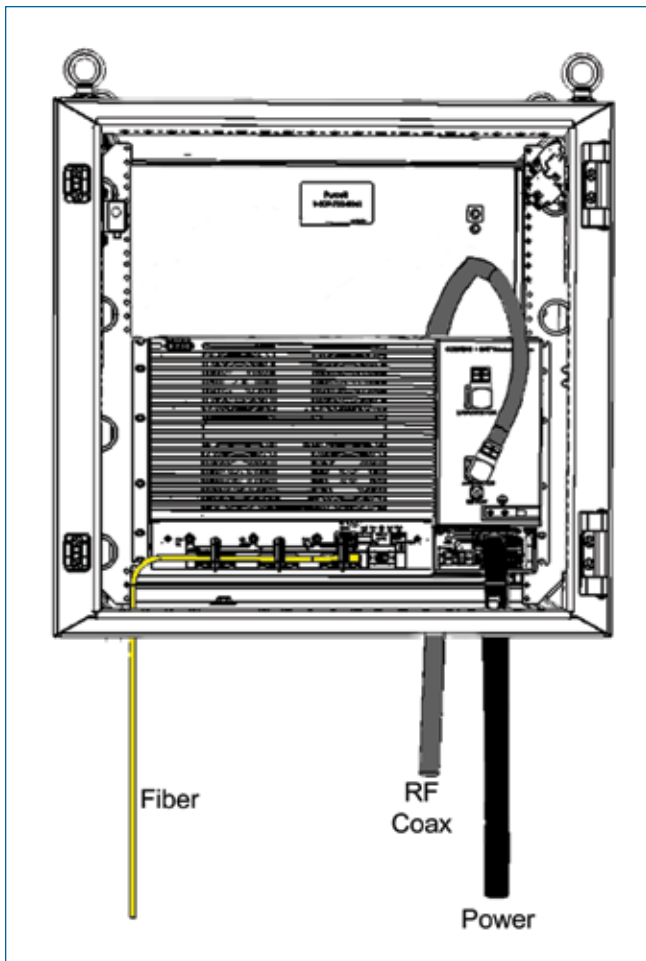
1. Ground the cabinet and MRU:
 - For cabinet grounding instructions – refer to the manufacturer’s installation guide for instructions on cabinet grounding.
 - Using one of the grounding cables provided with the cabinet, ground the MRU chassis via the two-hole, standard barrel grounding lug located on the front panel to one of the cabinet grounding bolts. Refer to Figure 4-17.



Grounding MRU to Cabinet | Figure 4-17

2. Connect RF antenna coax – (for both 4.3-10 type “ANTENNA PORT” and “2.5 GHz INPUT PORT”) route coax cable with 90-degree right angle connector through its designated knockout (see Figure 4-13) behind and above the MRU chassis and connect to the corresponding RF port. Refer to Figure 4-18.
3. Route optical fiber from ICU and power cable through designated knockouts (see Figure 4-13) and connect according to instructions in Section 4.4. Refer to Figure 4-18.

Note: For DC power connections – route DC power cable with open wires (without connector) and then wire according to instructions in Section 4.6.2.

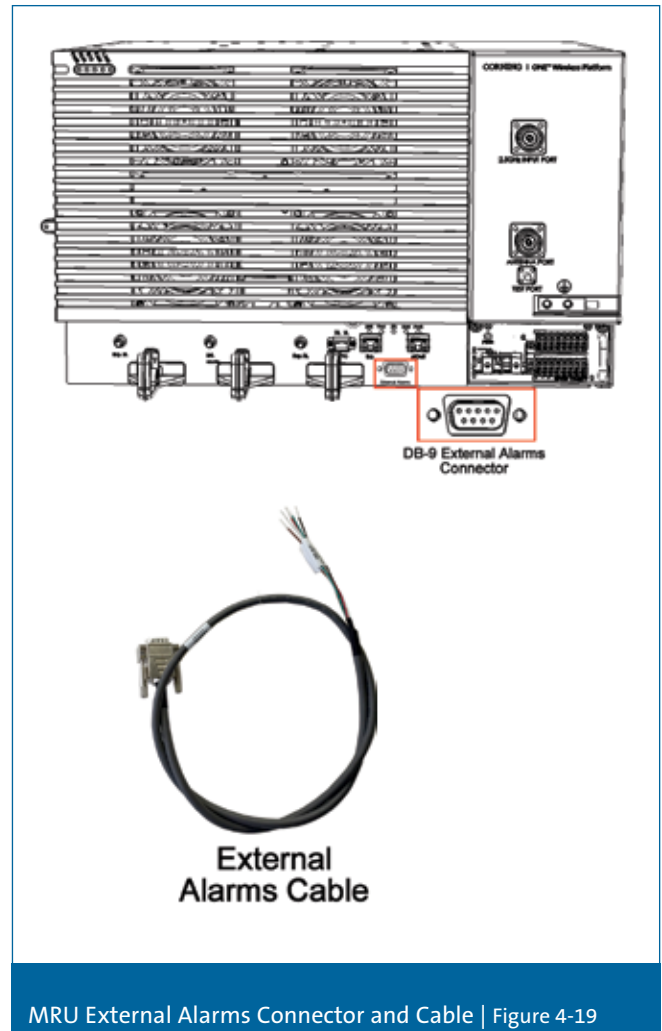


Example of Routed Connection Cables | Figure 4-18

4.7.5 External Alarm Connections

Note: Also refer to relevant section of the Purcell Systems cabinet installation manual (i.e. “Connecting Optional Custom Alarms”).

A DB9 female pin “External Alarms” connector (located on optical module below RJ45 ports) provides support for up to three external dry contact alarm connections from external sources (incoming outputs). See Figure 4-19. The connector provides indications for door opening, heat exchanger (HEX) and one additional input for future use.



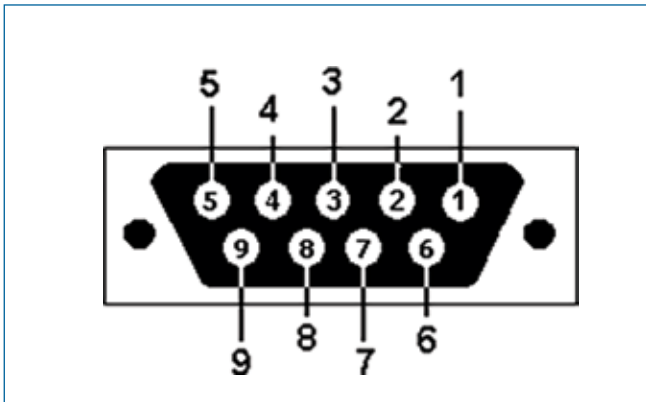
MRU External Alarms Connector and Cable | Figure 4-19

To perform external alarm connections:

1. Connect the external alarms cable (ordered separately) to the chassis's DB9 "External Alarms" connector. Refer to Table 4-5 and Figure 4-20 for pinout information.

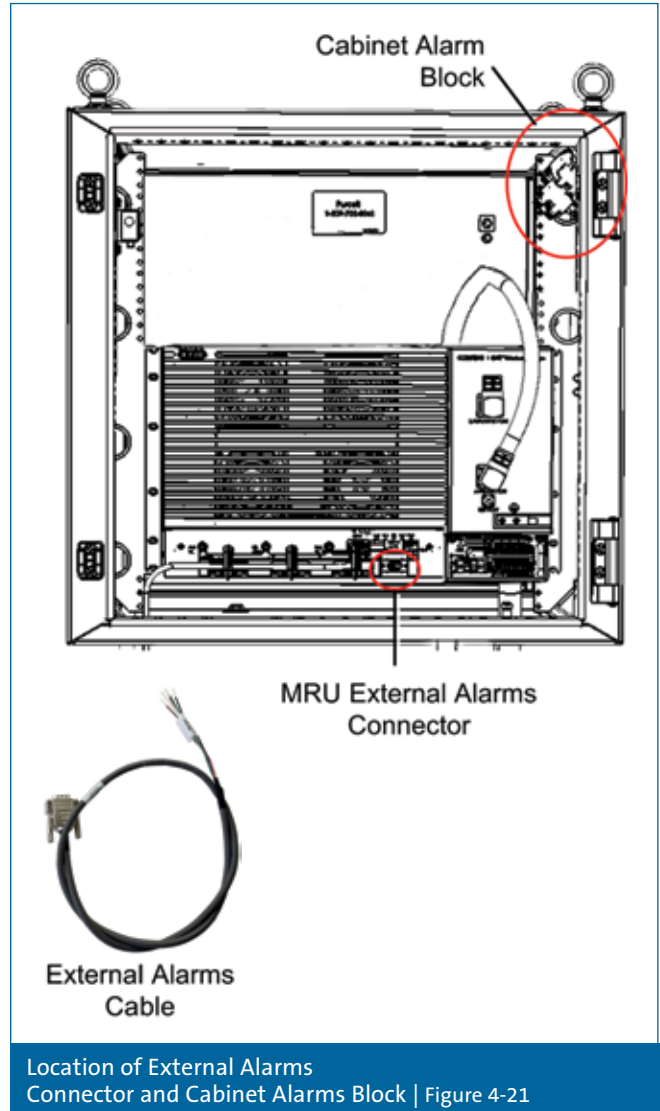
Pin	Description
1	Common
2	Not connected
3	Not connected
4	Not connected
5	Not connected
6	Door alarm
7	Heat exchange (HEX) alarm
8	Future alarm
9	Exist indication (indicates existing connection of alarm cable)

Table 4-5. MRU External Alarm Connector Pinout Description



MRU External Alarms Connector Pinout | Figure 4-20

2. Route the cable alarm wires to the alarm block, located on the upper right corner of the cabinet. See Figure 4-21.



Location of External Alarms Connector and Cabinet Alarms Block | Figure 4-21

3. Connect the external alarm connections to the cabinet. Table 4-6 provides the dry contact alarms cable wiring description.

Color	Description
Red	+48 V_COMMON
Green	-48 V_EXIST INDICATION
Brown	-48 V_DOOR ALARM
Black	-48 V_HEX ALARM
White	-48 V_FUTURE ALARM

Table 4-6. Dry Contact Alarm Cable Wiring Info

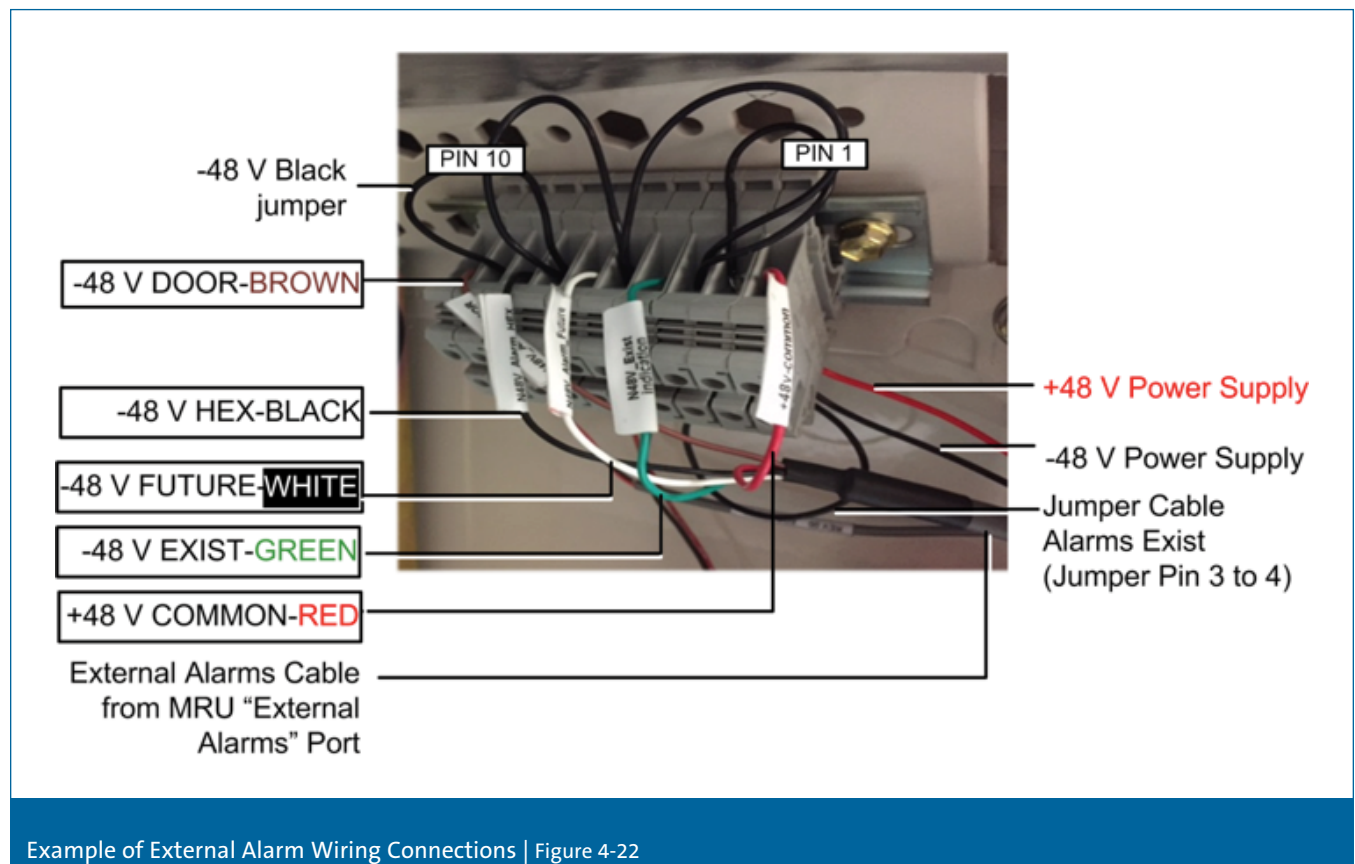
Refer to Table 4-7 for wiring description of MRU External Alarms connector and to Figure 4-22 for examples of the upper and lower cabinet block wiring connections.

External Alarms Connector Pin No.	
1	Common
6	Door Alarm
2	NC
7	HEX Alarm
3	NC
8	Future Alarm
4	NC
9	Exist Indication
5	NC (not connected)

Table 4-7. External Alarms to Cabinet Block Wiring

4.8 Verifying Normal Operation

- Verify that all the fans are operational.
- By referring to Table 2-2 in Chapter 2, verify that all the LEDs on the top-left of the chassis door and on each PAM are signaling normal system operation.



4. Verify that fans are operational. Refer to status LEDs on the inside of the cabinet door and verify that all show green.

Maintenance

All of the MRU components (except backplanes) are hot swappable and field upgradable modules (i.e. PSM, PAM, OPTM, and FAM). Refer to Chapter 7 - Appendix B: Ordering Information for stand-alone modules which can be ordered for upgrade or maintenance purposes.

5.1 Extracting/Replacing PAM and OPTM

⚠ ATTENTION! In the event that a PAM or the OPTM needs to be removed from the chassis for upgrade or maintenance purposes, make sure to first press the release button on the module and then pull out using the handle. Any attempt to pull out the module without first releasing may cause damage. Corning will not be liable for damage of products resulting from improper handling during installation or repair.



Supported Services

Technology	Frequency Range (MHz)		
	Service/Band	Uplink (UL)	Downlink (DL)
LTE	700 MHz Lower ABC 700 MHz Upper C	698-716 776-787	728-746 746-757
CDMA/LTE	ESMR 800	817-824	862- 869
CDMA/GSM/LTE/UMTS	CELL 850	824-849	869-894
CDMA/LTE/GSM/UMTS	PCS + G 1900	1850-1915	1930-1995
UMTS/LTE	AWS + AWS-3	1710-1778	2110-2180
LTE	WCS	2305-2315	2350-2360
LTE	BRS/EBS	2496-2690	

RF Parameters per Service

Service/Band	LTE 700 MHz		ESMR 800/ CELL 850 MHz		AWS 1700 MHz		AWS1/3*** 1700 MHz		PCS 1900 MHz		WCS 2300 MHz	
	DL	UL	DL	UL	DL	UL	DL	UL	DL	UL	DL	UL
Frequency Range (MHz)	728-746 746-756	698-716 777-787	862-869/ 869-894	817-824/ 824-849	2110- 2155	1710- 1755	2110- 2180	1710- 1780	1930- 1995	1850- 1915	2350- 2360	2305- 2315
Maximum Output Power per Antenna Port (dBm)	30		30		33		34		33		33	
Input Power (dBm)	0-37		0-37		0-37		0-37		0-37		0-37	
UL Gain Range (dB)		-19 to 15		-19 to 15		-19 to 15		-19 to 15		-19 to 15		-19 to 15
SFDR* (dB)		60		64		60		60		64		60
Maximum Intermod Distortion (dBm)	≤ -13		≤ -13		≤ -13		≤ -13		≤ -13		≤ -13	
UL NF* (dB)		12		12		12		12		12		12
Gain Flatness/ Ripple (dB)	± 2.0		± 2.0		± 2.0		± 2.0		± 2.0		± 2.0	

*SFDR calculated with bandwidth of 1.23 MHz for the CELL and PCS and with 5 MHz for the LTE, AWS, and WCS.

**Typical for single remote unit

***AWS1/3 supported only with MRU-PAM-A17E

Coupling Specifications

DL Center Frequency of Supported Bands (MHz)	Typical Coupling* (dB)
742.5	26.0
878.0	26.0
1962.5	26.0
2145.0	26.0
2355.0	26.0

*The typical coupling value for the supported bands is -26 dB; however, a delta of +/- 3 dB can be expected. As such, the actual coupling value for each unit (measured for the DL center frequency of supported bands) is specified on a label on the unit. Note that the test port is bi-directional, so that a UL signal can also be injected and measured with a -26 dB loss.

Environmental Specifications

Operating Temperature -40° to +65°C (-40° to 149°F)

Storage Temperature -30° to 85°C (-22° to 185°F)

Standards and Approvals

Laser Safety FDA/CE 21 CFR 1040.10 and 1040.11 except for deviations pursuant to Laser Notice No. 50 and IEC 60825-1

EMC/Radio FCC 47 CFR Part 15, 22, 24, 27

Safety UL 60950
IEC 60825-1:2007
IEC 60825-2:2010
CAN/CSA-C22.2 No. 60950-1-03

NEBS GR-63, GR-1089, GR-487 (with outdoor enclosure)

Optical Specifications

Optical Output Power < 9 dBm

Maximum Optical Budget 7 dB (5 dB over any temperature and optical variations)

Back Reflectance -60 dB

Optical Connector LC APC single-mode

Fiber Type Corning® SMF-28® fiber or compatible

Wavelength 1310 ± 10 nm (at 25°C)

Physical Specifications

MRU Hosting Capabilities	<ul style="list-style-type: none">• Five service-specific power amplifier modules (PAMs)• One optical module (OPTM)• One fan module (FAM)• One AC or DC (model dependent) power supply module (PSM)
Interfaces	<ul style="list-style-type: none">• One 4.3-10 type duplexed RF antenna port• One LC APC port for fiber optic connection• One QMA coupling “Test Port” (used for UL and DL measurements during system operation)• One 4.3-10 type RF port for 2.5 GHz external RF source• One RJ45 MGMT (local) connection• One two-hole, standard barrel grounding lug; for use with stranded copper wire conductors; 10-14 AWG; holes – 1/4 in• “DC In” connectors (model dependent):<ul style="list-style-type: none">• One “DC In” 2-pin “Class 1” terminal block• Two “DC In” 8-pin “Class 2” terminal block connectors: one pair for each PAM (total of five pairs) and one pair for the FAM and OPTM; one RSV pair• One QMA input connector for EXP UL• One QMA output connector for EXP DL• One DB9 female external alarm connector for external dry contact alarm connections
Power	<ul style="list-style-type: none">• Power Consumption: DC version: 330 W (maximum) AC version: 360 W (maximum)• AC Power Input: 100-240 VAC/50-60 Hz• Maximum AC Current Consumption: 5 A• DC Power Input:<ul style="list-style-type: none">• DC class 1: 48 VDC (40-60 VDC) 9 A maximum• DC class 2: 24/48 VDC (20-60 VDC)• Power amplifier consumption per pair: 50 W• Maximum power consumption: 330 W• Maximum current consumption: 1.75 A per pair• Maximum current draw per pair: 64 W
Management	Managed via the headend control module (HCM v1.6)
Physical Characteristics	<p>Mounting: 19-in rack (6U rack height), Wall mount (separately ordered accessory kit)</p> <p>Dimensions (H x W x D): 10.5 x 17.5 x 15.75 in* (266.7 x 445 x 400 mm) <i>*without brackets</i></p> <p>Weight: Chassis without PAMs: 48 lbs (21.8 kg) Each PAM: 4.7 lbs (2.15 kg)</p>

MRU Assembly Configurations*

Part Number	Description
MRU-ASM-DC	MRU-DC Assembly with OPTIM, FAM, and DC PSM (PAMs required)
MRU-78171923-DC	MRU-DC Assembly with five PAM modules supporting LTE700, ESMR, CELL, AWS, PCS, and WCS
MRU-781719-DC	MRU-DC Assembly with four PAM modules supporting LTE700, ESMR, CELL, AWS, and PCS
MRU-7819-DC	MRU-DC Assembly with three PAM modules supporting LTE700, ESMR, CELL, and PCS
MRU-81719-DC	MRU-DC Assembly with three PAM modules supporting ESMR, CELL, AWS, and PCS
MRU-71719-DC	MRU-DC Assembly with three PAM modules supporting LTE700, AWS, and PCS
MRU-ASM-AC	MRU-AC Assembly with OPTIM, FAM, and AC PSM (PAMs required)
MRU-78171923-AC	MRU-AC Assembly with five PAM modules supporting LTE700, ESMR, CELL, AWS, PCS, and WCS
MRU-781719-AC	MRU-AC Assembly with four PAM modules supporting LTE700, ESMR, CELL, AWS, and PCS
MRU-7819-AC	MRU-AC Assembly with three PAM modules supporting LTE700, ESMR, CELL, and PCS
MRU-81719-AC	MRU-AC Assembly with three PAM modules supporting ESMR, CELL, AWS, and PCS
MRU-71719-AC	MRU-AC Assembly with three PAM modules supporting LTE700, AWS, and PCS

Table 7-1. Part Numbers for MRU Assemblies Configurations

*Refer to Table 7-2 for part numbers for MRU assemblies which have been upgraded for future AWS1/3 support.

MRU Assembly Configurations Upgraded for Future AWS1/3 Support

Part Number	Description
MRU-E-78171923-DC	MRU-DC-AWSe Supported Assembly with five PAM modules supporting: LTE700, ESMR, CELL, PCS, AWS1, and WCS
MRU-E-781719-DC	MRU-DC-AWSe Supported Assembly with four PAM modules supporting: LTE700, ESMR, CELL, PCS, and AWS1
MRU-E-81719-DC	MRU-DC-AWSe Supported Assembly with three PAM modules supporting: ESMR, CELL, AWS1, and PCS
MRU-E-71719-DC	MRU-DC-AWSe Supported Assembly with three PAM modules supporting: LTE700, AWS1, and PCS
MRU-E-78171923-AC	MRU-AC-AWSe Supported Assembly with five PAM modules supporting: LTE700, ESMR, CELL, PCS, AWS1 and WCS
MRU-E-781719-AC	MRU-AC-AWSe Supported Assembly with four PAM modules supporting: LTE700, ESMR, CELL, PCS, and AWS1
MRU-E-81719-AC	MRU-AC-AWSe Supported Assembly with three PAM modules supporting: ESMR, CELL, AWS1, and PCS
MRU-E-71719-AC	MRU-AC-AWSe Supported Assembly with three PAM modules supporting: LTE700, AWS1, and PCS
MRU-E-ASM-AC-B	MRU-AC-AWSe Supported Assembly with OPTIM, FAM, and AC PSM modules
MRU-E-ASM-DC-B	MRU-DC-AWSe Supported Assembly with OPTIM, FAM, and DC PSM modules

Table 7-2. Part Numbers for MRU Assembly Configurations Upgraded for Future AWS1/3 Support

MRU Stand-Alone Modules

Note: Stand-alone modules can be ordered for upgrade or maintenance purposes.

Part Number	Description
MRU-OPTM-P	Mid-Power Remote Unit Optical Module Support IF and listening mode,
MRU-PAM-17	Mid-Power Remote Unit Power Amplifier Module supporting AWS 1700 MHz
MRU-PAM-8	Mid-Power Remote Unit Amplifier Module supporting ESMR800 and CELL 850
MRU-PAM-7	Mid-Power Remote Unit Power Amplifier Module supporting LTE 700 MHz
MRU-PAM-19	Mid-Power Remote Unit Power Amplifier Module supporting PCS 1900 MHz
MRU-PAM-23	Mid-Power Remote Unit Power Amplifier Module supporting PCS 2300 MHz
MRU-PSM-AC	Mid-Power Remote Unit AC Power Supply Module
MRU-PSM-DC	Mid-Power Remote Unit DC Power Supply Module
MRU-FAM	Mid-Power Remote Unit Modular Fan Module

Table 7-3. Part Numbers for MRU Stand-alone Modules

Accessories

Part Number	Description
BR-MRU-W	Mid-Power Remote Unit Wall Mounting Bracket (vertical installation)
AK-MRU-DCA-CBL	Mid-Power Remote Unit Dry Contact Cable Assembly (optional)

Table 7-4. Part Numbers for MRU Accessories

Cable Assemblies

<input type="text" value="H"/>	<input type="text" value="R"/>	<input type="text"/>	<input type="text"/>	<input type="text"/>	<input type="text"/>	<input type="text"/>	<input type="text"/>	<input type="text"/>	<input type="text"/>	<input type="text"/>	<input type="text" value="8"/>	<input type="text"/>	<input type="text"/>	<input type="text"/>	<input type="text"/>	<input type="text" value="F"/>	<input type="text"/>	<input type="text"/>
		1	2	3	4	5	6	7	8	9						10	11	

|1

Select end one connector.

00 = None
 18 = LC APC duplex
 66 = SC APC duplex

|4

Select cu conductor count.

0 = No conductors
 2 = 2 conductors
 4 = 4 conductors
 6 = 6 conductors

|7

Select cable type.

U = Fiber and copper conductors
 G = Fiber only

|2

Select end two connector.

08 = LC APC duplex
 66 = SC APC duplex

|5

Select cu connectors.

C = With connectors
 N = No connectors

|8

Select armored or non-armored.

20 = Non-armored
 A3 = Armored indoor plenum

|3

Select cu wire gauge.

F = 12 AWG
 G = 14 AWG
 H = 16 AWG

|6

Select fiber count.

04 = 4 fibers
 06 = 6 fibers
 24 = 24 fibers (see Note 1)
 48 = 48 fibers (see Note 1)
 72 = 72 fibers (see Note 1)
 96 = 96 fibers (see Note 1)
 E4 = 144 fibers

|9

Select cable length.

010-999 ft (see Note 2)

|10

Select pulling grip.

P = One-sided pulling grip
 N = No pulling grip

|11

Select kit.

K = Two strain-relief
 trunk holders (see Note 3)
 N = None

Note 1: Fiber-only trunk cables (no conductive pairs); MTP® connector is standard – for other options, please contact Customer Care.

Note 2: Cable lengths:

- Preconnectorized cable can only be ordered in 10-ft increments.
- Non-connectorized bulk cabling can only be ordered in 50-ft increments.

Note 3: Available for 24-144 fiber cables only.

CORNING

Corning Optical Communications Wireless, Inc. • 13221 Woodland Park Road, Suite 400 • Herndon, Virginia 20171 USA
 866-436-9266 • FAX: 703-848-0280 • Tech Support Hotline: 410-553-2086 or 800-787-1266 • www.corning.com/opcomm

Corning Optical Communications Wireless reserves the right to improve, enhance, and modify the features and specifications of Corning Optical Communications Wireless products without prior notification. A complete listing of the trademarks of Corning Optical Communications Wireless is available at www.corning.com/opcomm/trademarks. All other trademarks are the properties of their respective owners. Corning Optical Communications Wireless is ISO 9001 certified. © 2016 Corning Optical Communications. All rights reserved. CMA-438-AEN / April 2016