

The Litenna logo features a red curved line above the word "Litenna" in a black, sans-serif font. A small red arc is positioned above the "i" in "Litenna". Below "Litenna" is the word "Installation Guide" in a bold, black, sans-serif font.

Litenna™

Installation Guide

©Copyright Foxcom Wireless 2000

Information contained in this document is confidential and proprietary to Foxcom Wireless, and may not be disclosed or duplicated without the expressed permission of Foxcom Wireless.

Notice

© 2000 by Foxcom Wireless

This document contains confidential and proprietary information of Foxcom Wireless and may not be copied, transmitted, stored in a retrieval system or reproduced in any format or media, in whole or in part, without the prior written consent of Foxcom Wireless. Information contained in this document supersedes any previous manuals, guides, specifications, data sheets or other information that may have been provided or made available to the user. This document is provided for informational purposes only, and Foxcom Wireless does not warrant or guarantee the accuracy, adequacy, quality, validity, completeness or suitability for any purpose of the information contained in this document. Foxcom Wireless reserves the right to make updates, improvements and enhancements to this document and the products to which it relates at any time without prior notice to the user. **FOXCUM WIRELESS MAKES NO WARRANTIES, EXPRESS OR IMPLIED, INCLUDING, WITHOUT LIMITATION, THOSE OF MERCHANTABILITY AND FITNESS FOR A PARTICULAR PUSPOSE, WITH RESPECT TO THIS DOCUMENT OR ANY INFORMATION CONTAINED HEREIN.**

Trademark Acknowledgement

Litenna™ and RFiber™ are registered trademarks of Foxcom Wireless. This document contains other trademarks, trade names and service marks of Foxcom Wireless and other organizations, all of which are the property of their respective owners.

Foxcom Wireless Offices Worldwide

Israel - Headquarters

Foxcom Wireless Ltd.
Ofek One Center Building B
Lod 71293
ISRAEL
Tel: 972-8-918-3888
Fax: 972-8-918-3844

USA

Foxcom Wireless Inc.
8150 Leesburg Pike, Ste. 600
Vienna, Virginia 22182
USA
Tel: 703-848-0200
Fax: 703-848-0280

Foxcom Wireless - UK

17 Edgeworth Crescent
London NW4 4HA
UK
Tel: +44-2082023661
Fax: +44-2082023661

Foxcom Wireless - France

Tevier Group
14 Bis, Rue Marbeuf
7508 Paris, France
Tel: +33-1-49 52 90 62

Foxcom Wireless - Germany

Drosselweg 4
65719, Hoyheim
Germany
Tel: +49-177-8819199

Table of Contents

1. Front Chapter	8
1.1. Policy for Warranty and Repair.....	8
1.2. Conventions.....	10
1.3. Reporting Defects.....	11
1.4. RF Exposure Compliance.....	11
1.5. Precautions	12
2. Introduction to Litenna.....	14
2.1. Applications.....	15
2.2. Litenna™ Models.....	16
2.3. Features	18
2.4. Product Drawings	19
3. Set up Tests	24
3.1. Pre RF Test.....	25
3.2. Flatness Test.....	26
3.3. Gain/IP3 Test.....	27
3.4. Uplink Network Test.....	28
4. Installation	29
4.1. General Installation	29
4.2. Fiber Installation.....	30
4.3. High Rise Installation.....	36
4.4. Horizontal Layout Installation	37
5. Optical and RF Connections	38
5.1. Base Unit	38
5.2. Remote Hub Unit.....	41
6. Alarm Monitoring	42
7. Power Supply for Litenna.....	43
7.1. Option One	44
7.2. Option Two.....	44
7.3. Option Three.....	44
8. Optical Test Procedure	45
8.1. Fiberoptic Cable Test	45
8.2. Fiberoptic Cable – Terms	45
8.3. Foxcom Wireless System Characteristics	49
8.4. Optical Insertion Loss Measurement Test.....	50

8.5.	Optical Return Loss Measurement Test	52
8.6.	Results	53
8.7.	Summary.....	53
9.	Final Test.....	54
9.1.	Base Unit and Remote Hub Unit Connections	54
10.	Maintenance / Mechanical Adjustment.....	55
11.	Troubleshooting.....	55
12.	Frequently Asked Questions (FAQ)	56
13.	Appendix A Link Measurements Form.....	59

List of Figures

Figure 1 – Litenna™ System.....	14
Figure 2 Litenna™ Block Diagram with Power Supply	18
Figure 3 - Base Unit 4 Ports	19
Figure 4 – Base 4 Unit Front Panels.....	19
Figure 5 - Base 4 Unit Back Panel	19
Figure 6 - Base Unit 8 Ports	20
Figure 7 – Base 8 Unit Front Panels.....	20
Figure 8 – Base 8 Unit Back Panels	20
Figure 9 - Remote Hub Unit.....	22
Figure 10 - Remote Hub Unit with one port	22
Figure 11 - Remote Hub Unit Front Panel four antenna ports	23
Figure 12 - Remote Hub Unit Front Panel one antenna port.....	23
Figure 13 – Network Analyzer Setup Test.....	26
Figure 14 – Spectrum Analyzer Setup Test.....	27
Figure 15 – Uplink Network Test.....	28
Figure 16 – Example: Litenna™ Installation (fiber and coax).....	31
Figure 17 – High Rise Installation	36
Figure 18 – Horizontal Layout Installation	37
Figure 19 – EXAMPLE: One port BTS/RBS connected to 1 B4U with two uplink ports	39
Figure 20 – EXAMPLE: One port BTS/RBS connected to 1 B8U with eight uplink ports ...	39
Figure 21 – EXAMPLE: Two port BTS/RBS connected to B4U with four uplink ports	40
Figure 22 – EXAMPLE: Two port BTS/RBS connected to B8U with six uplink ports	40

Figure 23 – EXAMPLE: DC Power Supply in High Rise Installation 43

Figure 24 – Fiberoptic Cable Structure 46

Figure 25 – Singlemode - Multimode Fibers 47

Figure 26 – Two Point Test..... 50

Figure 27 – Single Point Test..... 51

Figure 28 – Optical Return Loss Measurement..... 52

List of Tables

Table 1 – Litenna™ Models.....	16
Table 2 – Base Unit Description	21
Table 3 – Remote Hub Unit Description.....	23
Table 4 – Required Equipment List	24
Table 5 - Litenna™ Installation Parts List	34
Table 6 - Litenna™ Installation Labor List	35
Table 7 - 25 Pin Alarm Pinouts	42
Table 8 - Power Supply Options	44
Table 9 - Fiberoptic Cable Test Results	53
Table 10 - Optical LED States	55
Table 11 - Link Measurement Table	59

1. Front Chapter

1.1. Policy for Warranty and Repair

Foxcom Wireless tests and inspects all its products to verify their quality and reliability. Foxcom Wireless uses every reasonable precaution to ensure that each unit meets their declared specifications before shipment. Customers should advise their incoming inspection, assembly, and test personnel about the precautions required in handling and testing our products. Many of these precautions can be found in this manual.

The products are covered by the following warranties:

1. General Warranty

Foxcom Wireless warrants to the original purchaser all standard products sold by Foxcom Wireless to be free of defects in material and workmanship for one (1) year from date of shipment from Foxcom Wireless. During the warranty period, Foxcom Wireless will repair or replace any product that Foxcom Wireless proves to be defective. This warranty does not apply to any product which has been subject to alteration, abuse, improper installation or application, accident, electrical or environmental over-stress, negligence in use, storage, transportation or handling.

2. Specific Product Warranty Instructions

All Foxcom Wireless products are warranted against defects in workmanship, materials and construction, and to no further extent. Any claim for repair or replacement of units found to be defective on incoming inspection by a customer must be made within 30 days of receipt of shipment, or within 30 days of discovery of a defect within the warranty period.

This warranty is the only warranty made by Foxcom Wireless and is in lieu of all other warranties, expressed or implied. Foxcom Wireless sales agents or representatives are not authorized to make commitments on warranty returns.

3. Returns

In the event that it is necessary to return any product against above warranty, the following procedure shall be followed:

- a. Return authorization is to be received from Foxcom Wireless prior to returning any unit. Advise Foxcom Wireless of the model, serial number, and discrepancy. The unit may then be forwarded to Foxcom Wireless, transportation prepaid. Devices returned collect or without authorization may not be accepted.
- b. Prior to repair, Foxcom Wireless will advise the customer of our test results and any charges for repairing customer-caused problems or out-of-warranty conditions etc.
- c. Repaired products are warranted for the balance of the original warranty period, or at least 90 days from date of shipment.

4. Limitations of Liabilities

Foxcom Wireless's liability on any claim, of any kind, including negligence for any loss or damage arising from, connected with, or resulting from the purchase order, contract, quotation, or from the performance or breach thereof, or from the design, manufacture, sale, delivery, installation, inspection, operation or use of any equipment covered by or furnished under this contact, shall in no case exceed the purchase price of the device which gives rise to the claim.

EXCEPT AS EXPRESSLY PROVIDED HEREIN, FOXCOM WIRELESS MAKES NO WARRANTY, EXPRESSED OR IMPLIED, WITH RESPECT TO ANY GOODS, PARTS AND SERVICES PROVIDED IN CONNECTION WITH THIS AGREEMENT INCLUDING, BUT NOT LIMITED TO, THE IMPLIED WARRANTIES OF MERCHANTABILITY AND FITNESS FOR A PARTICULAR PURPOSE. FOXCOM WIRELESS SHALL NOT BE LIABLE FOR ANY OTHER DAMAGE INCLUDING, BUT NOT LIMITED TO, INDIRECT, SPECIAL OR CONSEQUENTIAL DAMAGES ARISING OUT OF OR IN CONNECTION WITH FURNISHING OF GOODS, PARTS AND SERVICE HEREUNDER, OR THE PERFORMANCE, USE OF, OR INABILITY TO USE THE GOODS, PARTS AND SERVICE.

1.2. Conventions

In this manual the following special formats are used:



Note

Notes contain information detailing the current topic.



CAUTION

Cautions contain information regarding situations or materials which could damage your product.



WARNING

WARNINGS CONTAIN INFORMATION REGARDING DANGEROUS FUNCTIONS.

1.3. Reporting Defects

The units were inspected before shipment and found to be free of mechanical and electrical defects.

Examine the units for any damage which may have been caused in transit. If damage is discovered, file a claim with the freight carrier immediately. Notify Foxcom Wireless as soon as possible.

Refer to Policy for Warranty and Repair for further details.

**Note**

Keep all packing material until you have completed the inspection.

1.4. RF Exposure Compliance

**WARNING**

TO COMPLY WITH FCC RF EXPOSURE COMPLIANCE REQUIREMENTS, ANTENNAS USED FOR THIS PRODUCT MUST BE FIXED MOUNTED ON INDOOR PERMANENT STRUCTURES, PROVIDING A SEPARATION DISTANCE OF AT LEAST 20 CM FROM ALL PERSONS DURING NORMAL OPERATION.

ANTENNA GAIN SHOULD NOT EXCEED 10DBI.

**WARNING**

EACH INDIVIDUAL ANTENNA USED FOR THIS TRANSMITTER MUST BE INSTALLED TO PROVIDE A MINIMUM SEPARATION DISTANCE OF 20 CM OR MORE FROM ALL PERSONS AND MUST NOT BE CO-LOCATED WITH ANY OTHER ANTENNA FOR MEETING RF EXPOSURE REQUIREMENTS.

1.5. Precautions

1.5.1. Personal Safety

The Litenna™ system uses an optical laser for transmitting voice and data. The laser unit has the following output characteristics:

- Optical output power (mW): ≤ 3.0
- Wavelength (nm): 1310 ± 10



WARNING

APPLYING POWER TO THE BASE UNIT AND REMOTE HUB UNIT WILL CREATE A LASER ENERGY SOURCE OPERATING IN CLASS I AS DEFINED BY IEC 825-1. USE EITHER AN INFRARED VIEWER, OPTICAL POWER METER OR FLUORESCENT SCREEN FOR OPTICAL OUTPUT VERIFICATION.



WARNING

COMPLIANCE WITH RF SAFETY REQUIREMENTS

THE LITENNA HAS NO INHERENT SIGNIFICANT RF RADIATION.

THE RF LEVEL ON THE DOWN LINK IS VERY LOW AT THE REMOTE HUB UNIT DOWNLINK PORTS. THEREFORE, THERE IS NO DANGEROUS RF RADIATION WHEN THE ANTENNA IS NOT CONNECTED.

THE DESIGN OF THE ANTENNA INSTALLATION NEEDS TO BE IMPLEMENTED IN SUCH A WAY SO AS TO ENSURE RF RADIATION SAFETY LEVELS AND NON ENVIRONMENTAL POLLUTION DURING OPERATION.

1.5.2. Equipment Safety

To avoid damaging your product, please observe the following:

1. Always keep the optical connector covered. Use the fiberoptic cable or a protective cover. Do not allow any dirt and/or foreign material to get on the optical connector bulkheads.
2. The optical fiber jumper cable bend radius is 3 cm. Smaller radii can cause excessive optical loss and/or fiber breakage.

1.5.3. System Performance



WARNING

FOR PROPER SYSTEM PERFORMANCE ONLY USE CABLES EQUIPPED WITH SC/APC CONNECTORS TO CONNECT TO THE FOXCOM WIRELESS LITENNA™ SYSTEM.



2. Introduction to Litenna

The Litenna™, a high performance fiberoptic In-Building RF Distribution System, allows cellular & PCS services to be extended into *shadow* areas. With Litenna™ services can be cost-effectively broadened into BTS, micro and pico cell markets, such as airports, buildings, underground parking and shopping malls. The Litenna™ system means mobile communication that works everywhere, and satisfied customers getting the service that they demand.

The Litenna™ products can accommodate a plurality of services and transmission standards.

The **Litenna™** consists of a fiberoptic backbone which carries signals over singlemode fiberoptic cables. Singlemode optical technology offers the following advantages:

- **Low attenuation:** Singlemode fiberoptic cables have virtually no attenuation (0.38dB/Km), relieving the need to install amplifiers or any other signal enhancing in-line devices. This factor alone greatly reduces the engineering and installation costs.
- **Low noise:** High bandwidth signals can be set over singlemode fibers without encountering noise problems, and transmitted over great distances.
- **Multi Services:** Same infrastructure is used either supporting single service or multiple services, due to the pseudo infinite bandwidth of singlemode fiberoptic cable.



Figure 1 – Litenna™ System

2.1. Applications

The **Litenna™** addresses both public and private markets in order to provide RF distribution solutions for various structure types.

- Typical Public Market
 - ◆ Malls
 - ◆ Airports
 - ◆ Conventions Centers
- Typical Private Market
 - ◆ Office Buildings
 - ◆ Business Centers
 - ◆ Campus

Three types of applications are very common for both markets:

- High Rise Buildings
- Horizontal Structures
- Campus type

Foxcom Wireless addresses these application types with a powerful answer, while still flexible and future expandable. No limitations for building height or structure spread.

2.2. Litenna™ Models

Litenna™ products come in various models, each model covering a different frequency spectrum and standard.

The system installation is identical for all models.

Table 1 – Litenna™ Models

Product	Frequency Range		Service
	Uplink	Downlink	
Single Band Family			
	824-849	869-894	AMPS/TDMA 800
	806-824	851-869	LMR/iDEN 800
	824-849	869-894	CDMA 800
	896-902	935-941	SMR 900
	890-915	935-960	GSM 900
	899-902	928-941	Paging 900
	1710-1785	1805-1880	GSM 1800
	1710-1785	1805-1880	CDMA 1800
	1850-1910	1930-1990	TDMA 1900
	1850-1910	1930-1990	GSM 1900
	1850-1910	1930-1990	CDMA 1900
Dual Band Family			
	890-915 1710-1785	935-960 1805-1880	Dual Band GSM 900/GSM1800
	880-915 1710-1785	925-960 1805-1880	Dual Band E- GSM 900/GSM 1800
	806-824 1850-1910	851-869 930-1990	Dual Band iDEN/LMR 800/PCS 1900
	896-902 1850-1910	935-941 930-1990	Dual Band SMR 900/PCS 9800
	824-849 1850-1910	869-894 930-1990	Dual Band Cellular 800/ PCS 1900
	899-902 1850-1910	928-941 930-1990	Dual Band Paging 900/ PCS 1900



Note

Detailed specifications for all models appear in the Litenna™ data sheet (421300220).

2.2.1. Certification

Foxcom Wireless products have met the approvals of the following certifying organizations:



ISO 9001

For Europe

C E 0681

For US

FCC 47 CFT part 22,24,90

2.2.2. System Block Diagram

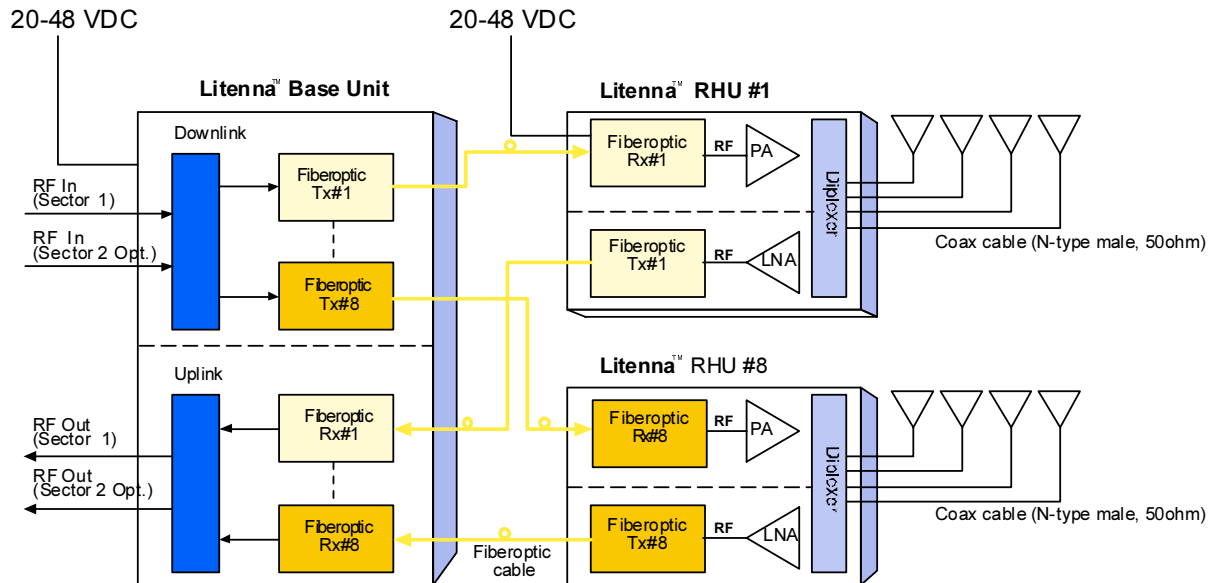


Figure 2 Litenna™ Block Diagram with Power Supply

2.3. Features

The Litenna™ series features the following:

- Wide DC input range.
- Slow start optical power control protects the laser from DC transients upon turn-on.
- Alarm Interface with open collector and dry contact alarms – the alarm loopback is activated when there is a broken or faulty optical fiber, or no power in system.
- LEDs that indicate status of individual optical links and sets of links.
- Can be installed as a wallmount unit or in a 19" rack

2.4. Product Drawings

The following drawings show sample front and rear panels of the Litenna™ units.

2.4.1. Base Unit- Four Ports

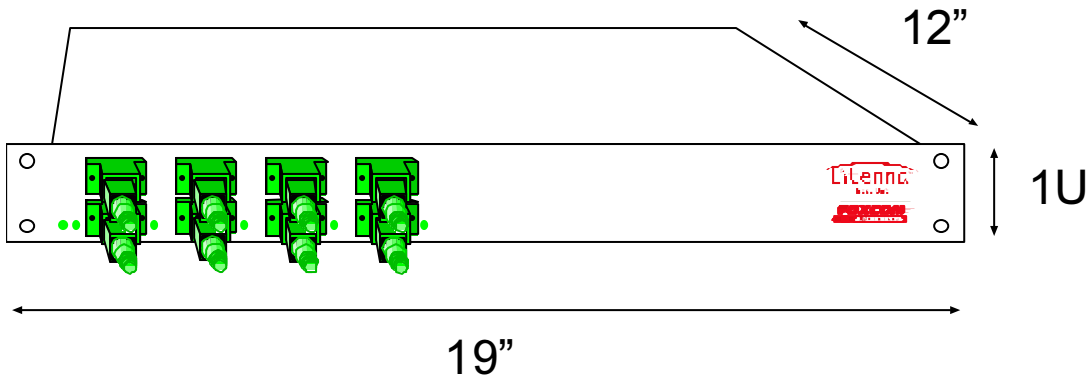


Figure 3 - Base Unit 4 Ports

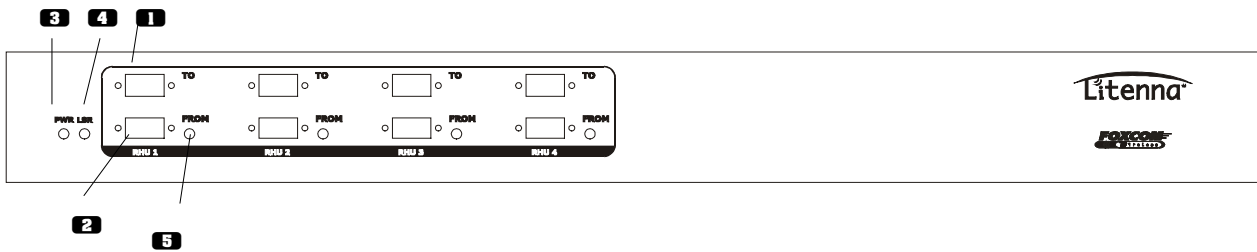


Figure 4 – Base 4 Unit Front Panels

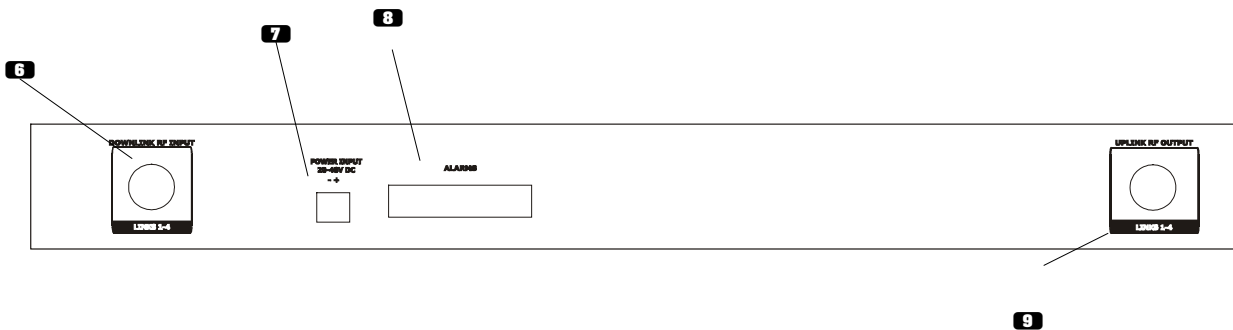


Figure 5 - Base 4 Unit Back Panel

2.4.2. Base Unit- Eight Ports

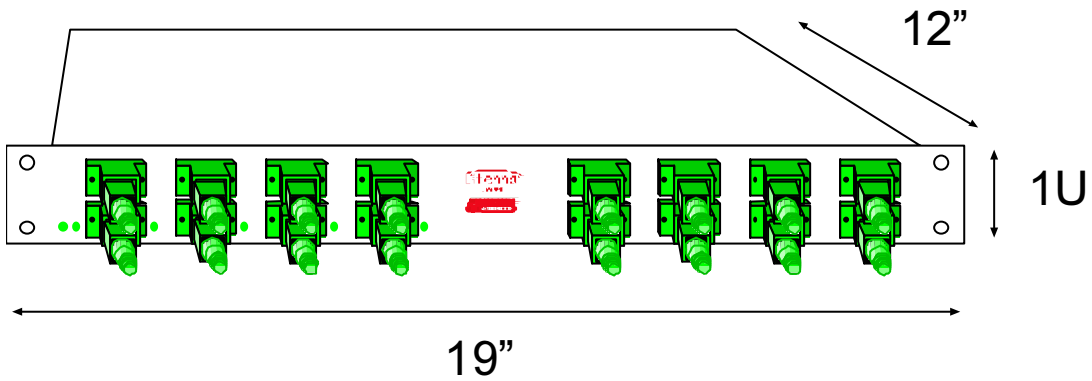


Figure 6 - Base Unit 8 Ports

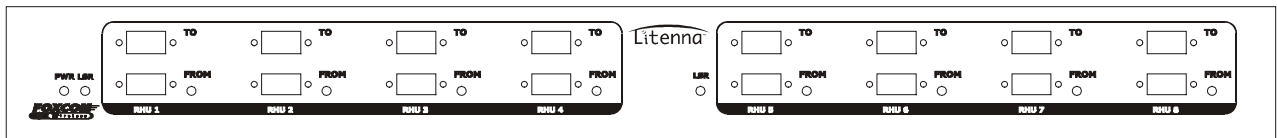


Figure 7 – Base 8 Unit Front Panels



Figure 8 – Base 8 Unit Back Panels

Table 2 – Base Unit Description

Number	Description
1.	Laser Output connection to RHU
2.	Optical Diode Input from RHU
3.	Power LED indicator
4.	Base Unit Laser operational LED indicator
5.	Remote Hub Unit Laser operational LED indicator
6.	Coax input from cellular headend
7.	Power input connector
8.	25 pin Alarm connector
9.	Coax output to cellular headend

2.4.3. Remote Hub Unit

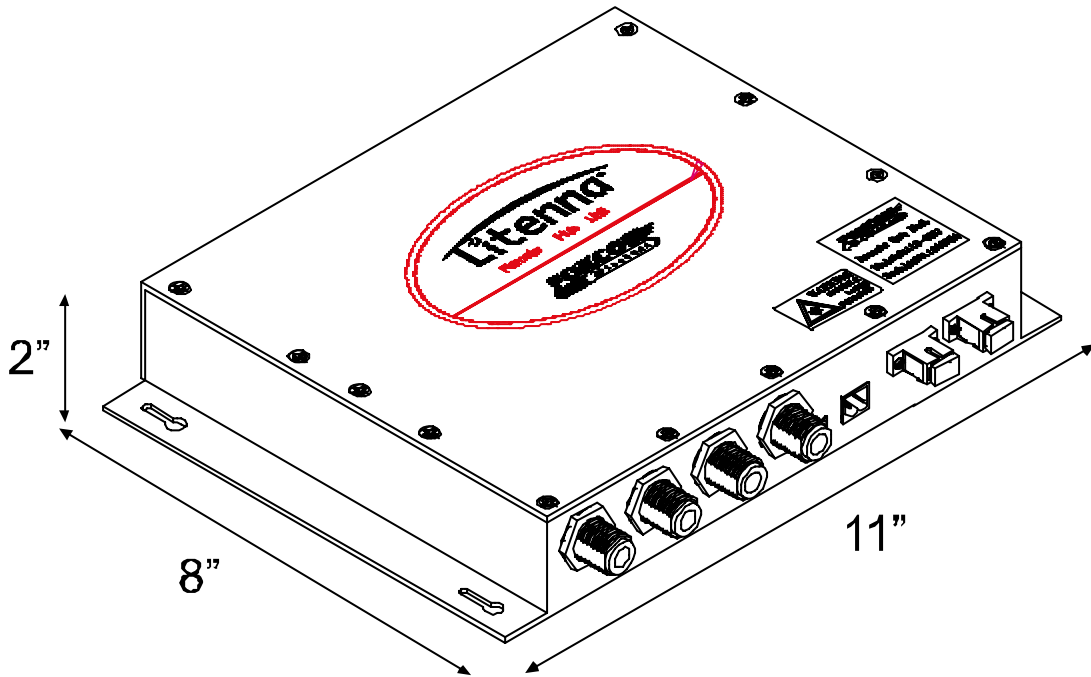


Figure 9 - Remote Hub Unit

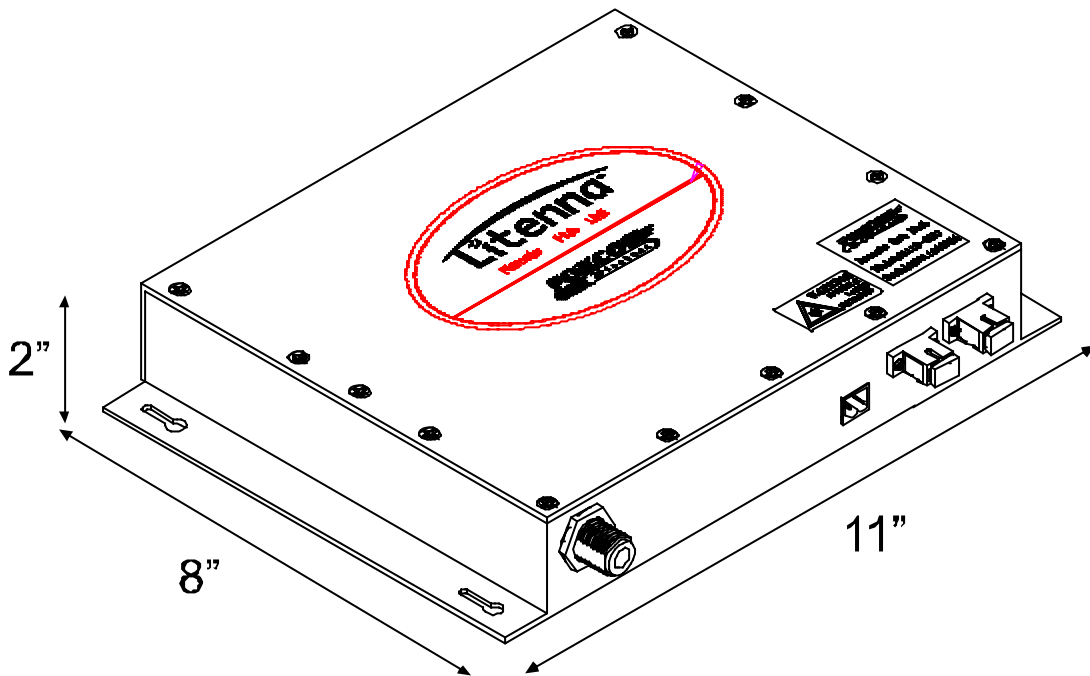


Figure 10 - Remote Hub Unit with one port

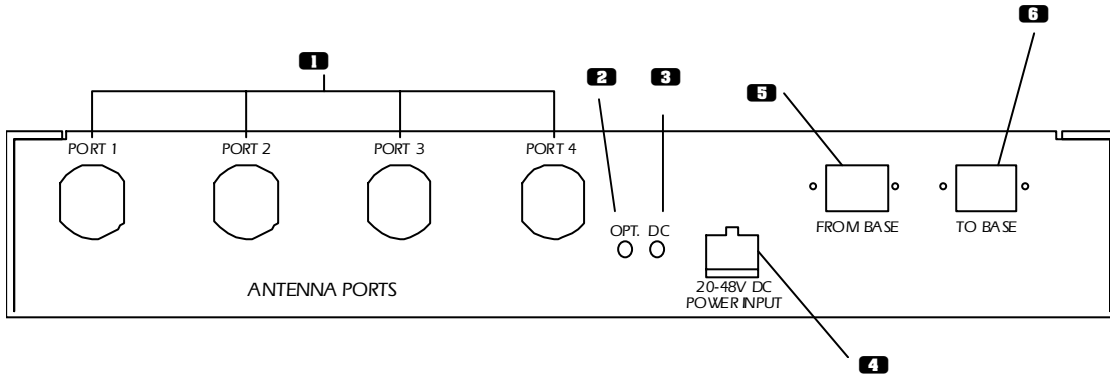


Figure 11 - Remote Hub Unit Front Panel four antenna ports

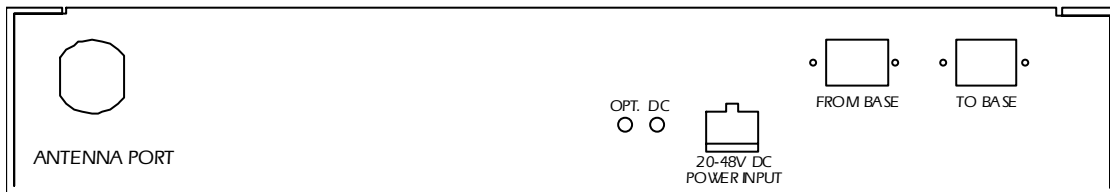


Figure 12 - Remote Hub Unit Front Panel one antenna port

Table 3 – Remote Hub Unit Description

Number	Description
1.	Cellular external antenna
2.	Optical LED for laser operation
3.	DC power LED for power operation
4.	DC power connector
5.	Optical input connector from Base Unit
6.	Laser output connector to Base Unit

3. Set up Tests

This Litenna product has been checked thoroughly before reaching the customer. Foxcom Wireless attests to the suitability of this product for operation. Where the customer desires to check the fitness of the product, the tests listed on the following pages.

The following describes the equipment required for testing the system at setup.

Table 4 – Required Equipment List

Required Setup Equipment	Quantity
HP8753C Network Analyzer or equivalent	1
HP85046A S Parameter test set or equivalent	1
HP8594E Spectrum Analyzer or equivalent	1
Power supply 18/48 @ 1A	1
Signal generator HP8648B or equivalent	2
Amplifier Mini-circuit ZKL-2 or equivalent	1
Digital Multi-meter	1
RF Combiner Mini-Circuit ZAPD-21 or equivalent with N connectors	1
High-grade 50-ohm phase matched cables:	
N to N cables	4
N to SMA cables (in N remote type)	2
SMA to SMA cables (in SMA remote type)	3
Optical power meter (1310 nm) for minimum 3 mW	1
Singlemode duplex fiberoptic cable with SC/APC connectors	3m
Singlemode fiberoptic cable SC/APC connectors	3m
Calibration kit, including	
Through (N-female to N-female)	
Short (N-female)	
50 ohm (N-female)	

This section explains the following test procedures:

- Pre RF Test
- Flatness Test
- Gain/IP3 Test
- Uplink Network Test

In order to carry out the tests, the following connections need to be made.

Connect the Base Unit optical output to the RHU optical input via fiberoptic cable.

Connect power to all units being tested (20V-48V DC).

Use the relevant setup for every test.

3.1. Pre RF Test

To carry out the Pre RF Test, the following procedure needs to be carried out.

1. Make sure all DC LEDs are lit on both units.
2. Measure Tx optical output power for all lasers.
3. Output power should be 1.5-2.4mW (with optical power meter).
4. On the RHU, Make sure that the optical LED is lit.
5. On the BU, make sure the Rx optical LEDs are lit.

3.2. Flatness Test

To carry out the Flatness Test, the following procedure needs to be carried out.

1. Connect the Network Analyzer to the designated Base Unit.
On the Network Analyzer, Base Unit connects to port 2.
On the Network Analyzer RHU connects to port 1 (see Figure 13).
2. After calibrating the network, set Network Analyzer to:

Measure	S21
Format	Log
Scale	1db/div

3. Apply with the required F1 and F2 should be according to Product Spec.
4. Measure the difference between the highest and the lowest signal point, which should be as specified in the data sheet.

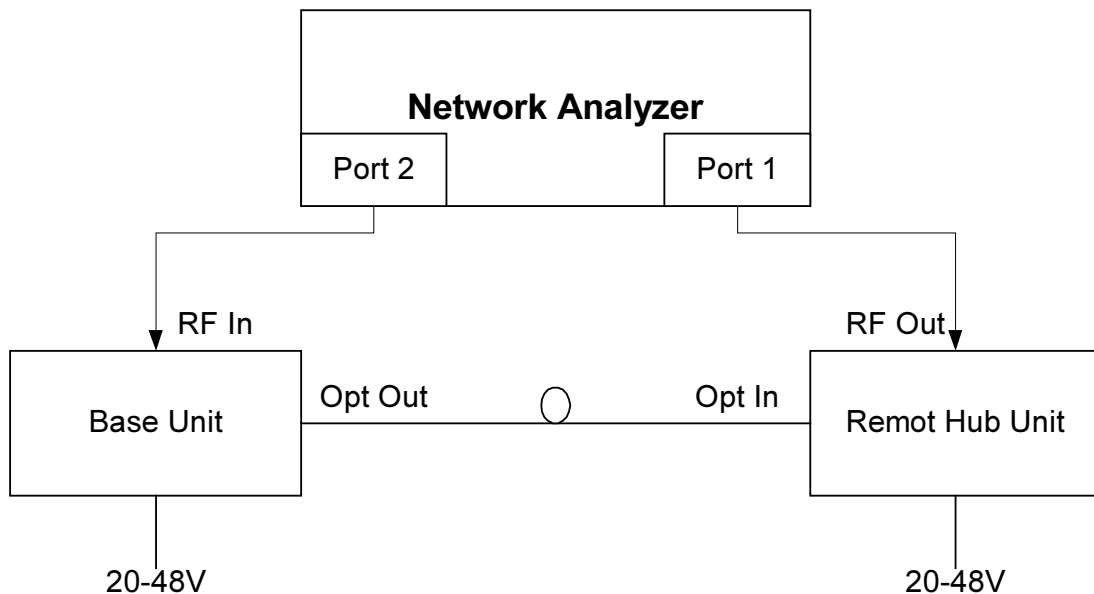


Figure 13 – Network Analyzer Setup Test

3.3. Gain/IP3 Test

To carry out the Gain/IP3 Test, the following procedure needs to be carried out.

1. Set the 2 tone signal from the 2 signal generators.
RF signals F1 and F2 should be according to Product Spec.
2. Combine the signals with ZAPD-21 combiner or equivalent.
3. Connect the 2-tone signal to the input of the base (see Figure 14).
4. Set Spectrum Analyzer to:

Video BW	10khz
RBW	100khz
Attenuation	20db
Span	30Mhz
Center freq.	Refer to Product Spec.
Ref level	10dbm

5. Connect RF cable from the RHU output to the Spectrum Analyzer.
6. Measure output Gain/IP3 from all test RHUs DownLink outputs.
7. IP3 is determine by:
 $IP3 = \text{power tone} + (\text{power tone} - \text{power IM3})/2$.

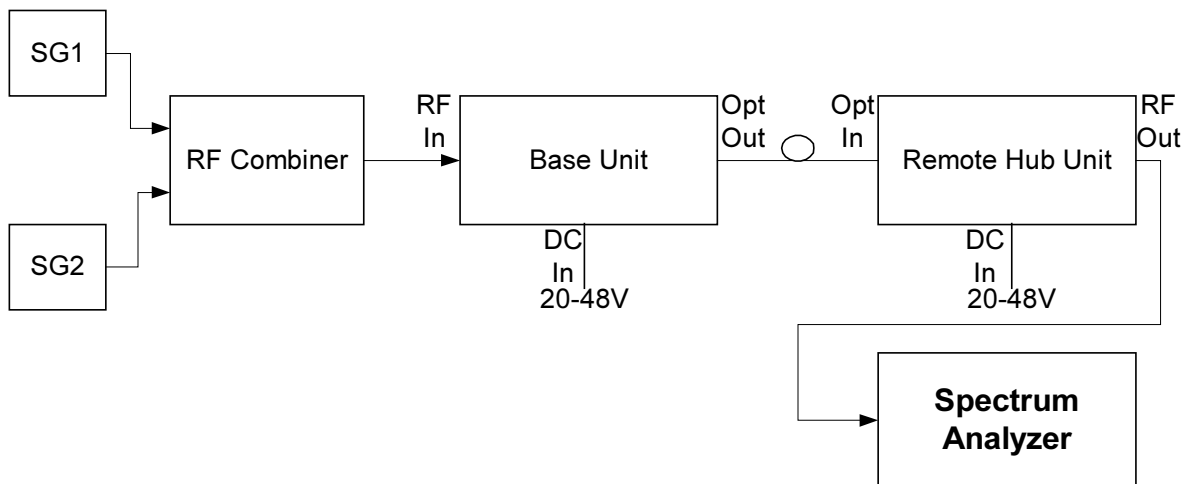


Figure 14 – Spectrum Analyzer Setup Test

3.4. Uplink Network Test

To carry out the Noise Floor test, the following procedure needs to be carried out.

1. Connect the Spectrum Analyzer to the Base Unit uplink port.
Connect 50ohm terminators to the RHU ports, and to all Base Unit uplink ports except for the tested port (see Figure 15).
2. Extra amplification (25db) is applied between Base Unit and Spectrum Analyzer in order to measure the noise floor.
3. Set Spectrum Analyzer to:

Video BW	300hz
RBW	1khz
Attenuation	0db
Span	0hz
Center freq.	Refer to Product Spec.
Ref level	-50dbm
Marker noise	ON

4. The noise figure is formulated as: $-174 + G_{\text{system}} + \text{noise floor}$
(On the RHU, all unused ports must be terminated with 50ohm load.)

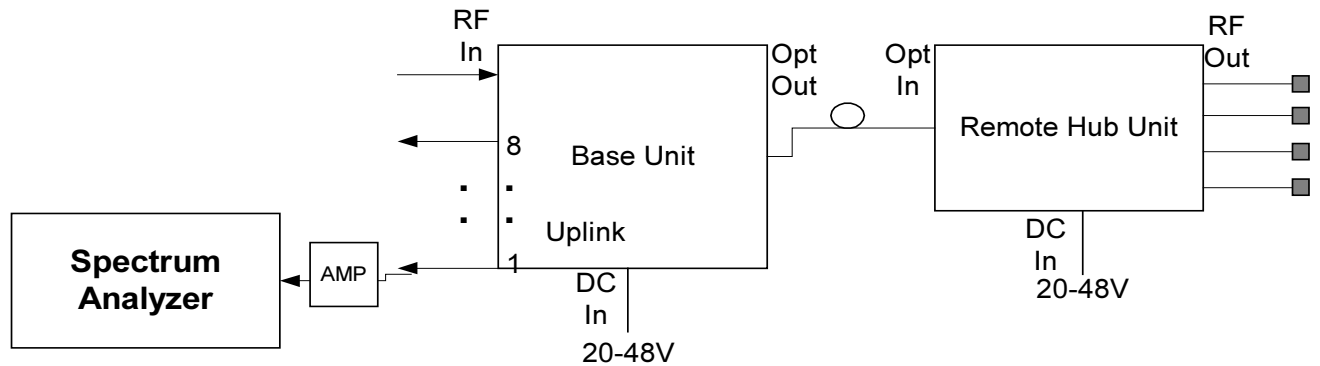


Figure 15 – Uplink Network Test

4. Installation

The following sections describe the Litenna™ installation.

- General Installation.
- Fiber Installation.
- Hi Rise Installation.
- Horizontal Layout Installation.

4.1. General Installation

The Litenna™ components need to be set up, followed by performance verification before installing the system. Foxcom Wireless suggests that a 19" rack-mountable Splice Tray be used at the Base Unit to facilitate optical fiber splicing. In the rack, the Splice Tray is mounted above or below the Base Unit (depending on direction of the incoming cables).

Set up procedures for the Litenna™ Base and Remote units are for the following installations:

- High rise installation.
- Horizontal Layout installation.

For both installations, setting up the Litenna™ Base and Remote units consists of the following steps:

1. Determine antenna placement by system engineer.
2. Pull composite cable or separate fiber and copper cables through building.
3. Install Base Unit in 19" rack, or wall mount (up to 3 Base Units).
4. Install Splice Tray for Base Unit in 19" rack (optional within the patch panel).
5. Install patch panel cabinet with SC/APC adaptors in a 19" rack or wall mount.
6. Fiber contractor splices fiber cable to SC/APC connectorized pigtails.
7. Connect Microcell to Base Unit via ½" coax cable or RG223 or similar with 50Ω impedance.
8. Connect fiber from Remote Hub Unit to Base Unit.
9. Connect Antennas to Remote Hub Unit ½" or 3/8" or similar coax cable with 50Ω impedance.
10. Connect power supply to Base Unit and Remote Hub Unit (refer to power planning).

4.2. Fiber Installation

The following procedure describes the process for setting up fiberoptic cable for the system (see Figure 16).

1. Pull fiberoptic cable and DC cable through building structure
2. Install splice tray (when used) in 19” rack near Base Unit.
3. Near Base Unit, install patch panel cabinet (SC/APC adaptors) for fiberoptic cable connections.
4. Connect (3/125/900) pigtail with SC/APC connectors between splice tray and patch panel cabinet.
5. Connect (3/125/3000) SC/APC jumpers between the corresponding Base Unit and patch panel.
6. Install splice box near RHU (refer to optic planning).
7. Connect fiberoptic cable to splice box and (3/125/3000) pigtails to RHU.

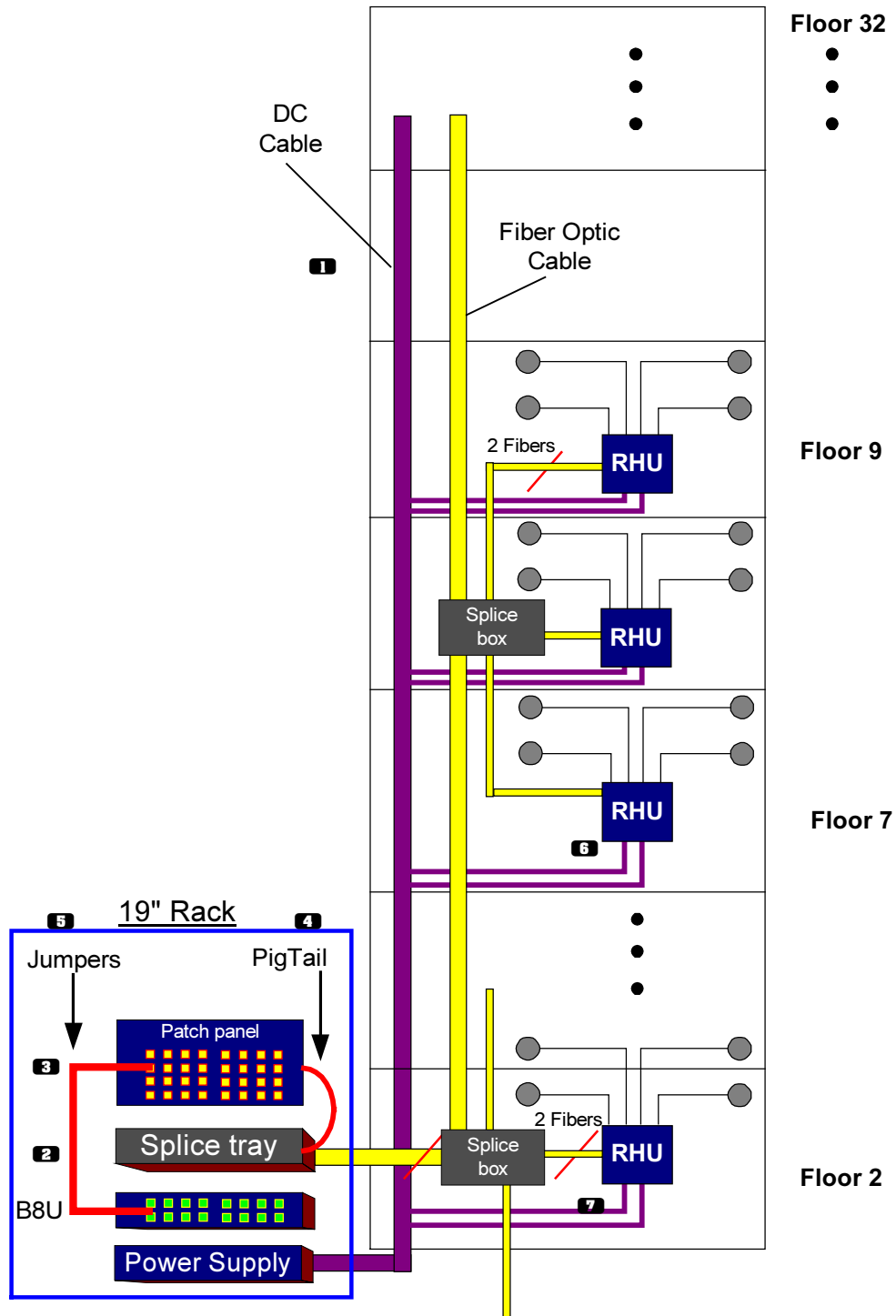
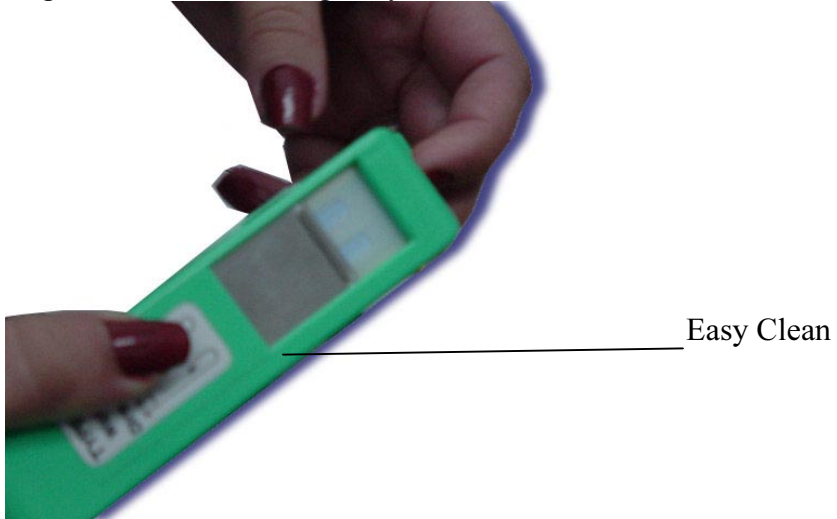


Figure 16 – Example: Litenna™ Installation (fiber and coax)

4.2.1. Fiberoptic Cable

Before connecting the cable:

1. Wipe the connector using Easy Clean.

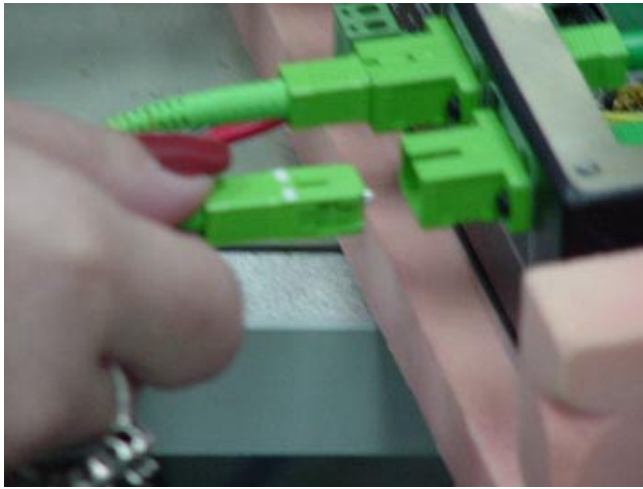


2. Note the polarity key of the optical connector before inserting.



To connect the cable:

1. Line Up the Polarity Key.



2. Insert the connector.



4.2.2. Litenna™ Installation Parts List

The following parts are needed for setting up the Litenna™ Base and Remote Hub Units. A fiber contractor handles cable splicing in order to connect the units. The fiber contractor needs to use the parts list from Table 5 to arrange all equipment necessary for setting up and installing the Litenna™.

Table 5 - Litenna™ Installation Parts List

The following tables refer to a 46 floor building.

Equipment	Description	Quantity	Comment
Coax cable (per 1m)	Connect RHU to antenna.	As needed	
Antenna		As planned	
Optical cable (6 x9)54 fibers – singlemode fiber	Optic cable for short distance & protected environments (tight buffer type).	Total=500m	
Patch panel 48 cabinet with SC/APC adaptors.	Connect jumpers to base and pigtails to splice tray.	2	
Splice box	Connects optic cable from Cabinet and pigtails to RHU.	15	1 per 3 floors
Splice tray	Tray-1*50 connects cable optic and pigtails near base unit.	2	In some cases in patch panel
9/125/3000 2m optical jumpers with SC/APC connector (simplex).	Connect patch panel to base unit.	92	
9/125/900 5m Pigtail with SC/APC connectors (B)	Connect patch panel and splice tray.	92	
9/125/3000 5m Pigtail with SC/APC connectors (R)	Connect patch panel and splice tray.	30	
9/125/3000 15mPigtail with SC/APC connectors(R)	Connects RHU and splice box.	62	
Electricity cables (per 1m)	Delivers power to units.	According to length.	
Electricity ducts (per 1m)	Ducts for moving cables though building.	According to length.	If needed
Coax connectors n-type	Cable connectors	as needed	

Table 6 - Litenna™ Installation Labor List

Labor	Description	Quantity	Comment
Installing splice box + splicing fibers	Installing the box and opening fibers at RHU.	15	
Installing patch panel cabinet + splicing fibers	Installation of the box and opening fibers at base.	92	
Installing Foxcom Wireless equipment	Installing Base Units and RHUs.		
Installing optic cable (per 1m)	Pull and install optic cable through building.		
Installing coax cable antennas	Install cable antennas on each floor		
Installing electricity ducts (per 1m)	Install cables through ducts in building.		If needed
Installing electricity cables	Install cables through ducts in building.		
System checking and report.	Trouble shooting and walk test.		1 day

4.3. High Rise Installation

In a high rise installation all Base Units are placed in the same location. The Base Units are connected to the BTS/RBS, see BTS/RBS connection (page 38). An RHU can be located on every floor according to the RF design. The fiberoptic cable runs from the Base Unit to every floor and terminates at the splice box located on every three floors of the building. Normally every splice box connects three RHUs. From the splice box, the fiberoptic jumpers connects to the associated RHU. From each RHU a coax cable delivers the signal to the antenna.

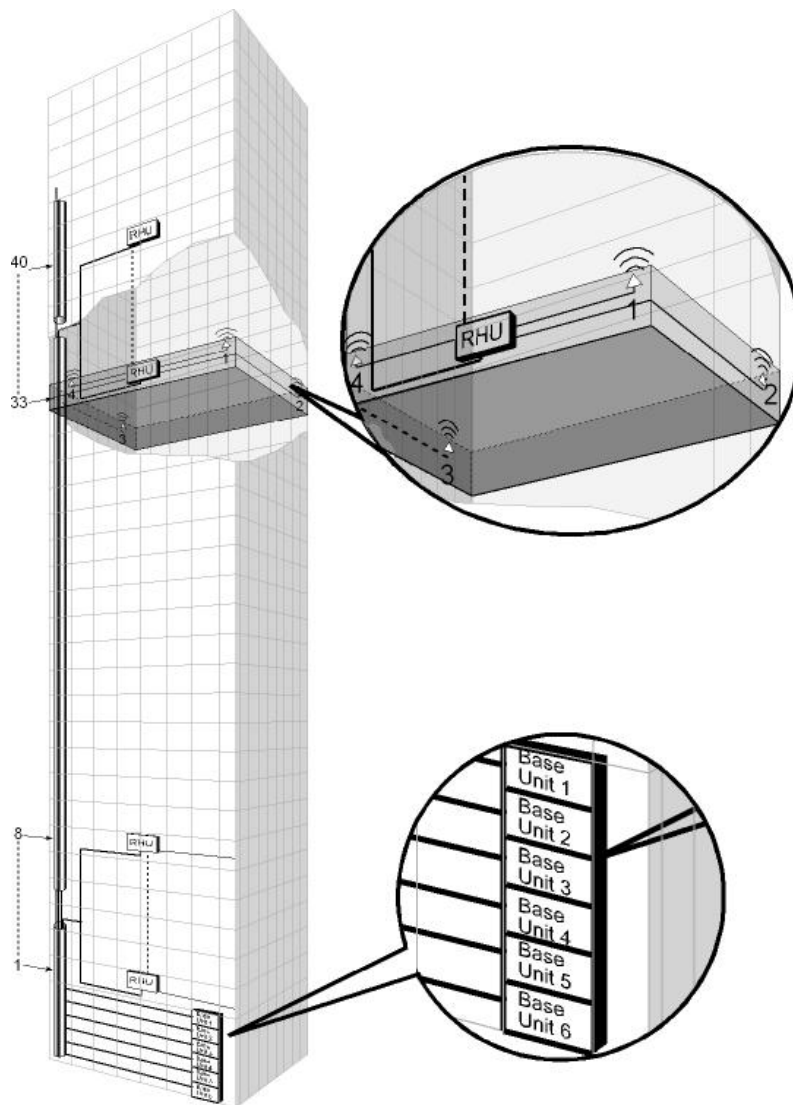


Figure 17 – High Rise Installation

4.4. Horizontal Layout Installation

In a horizontal layout installation, one fiberoptic cable connects the Base Unit to every installed RHU. The fiberoptic cable terminates at a splice box located near the RHU and from the splice box connects to the associated RHU.

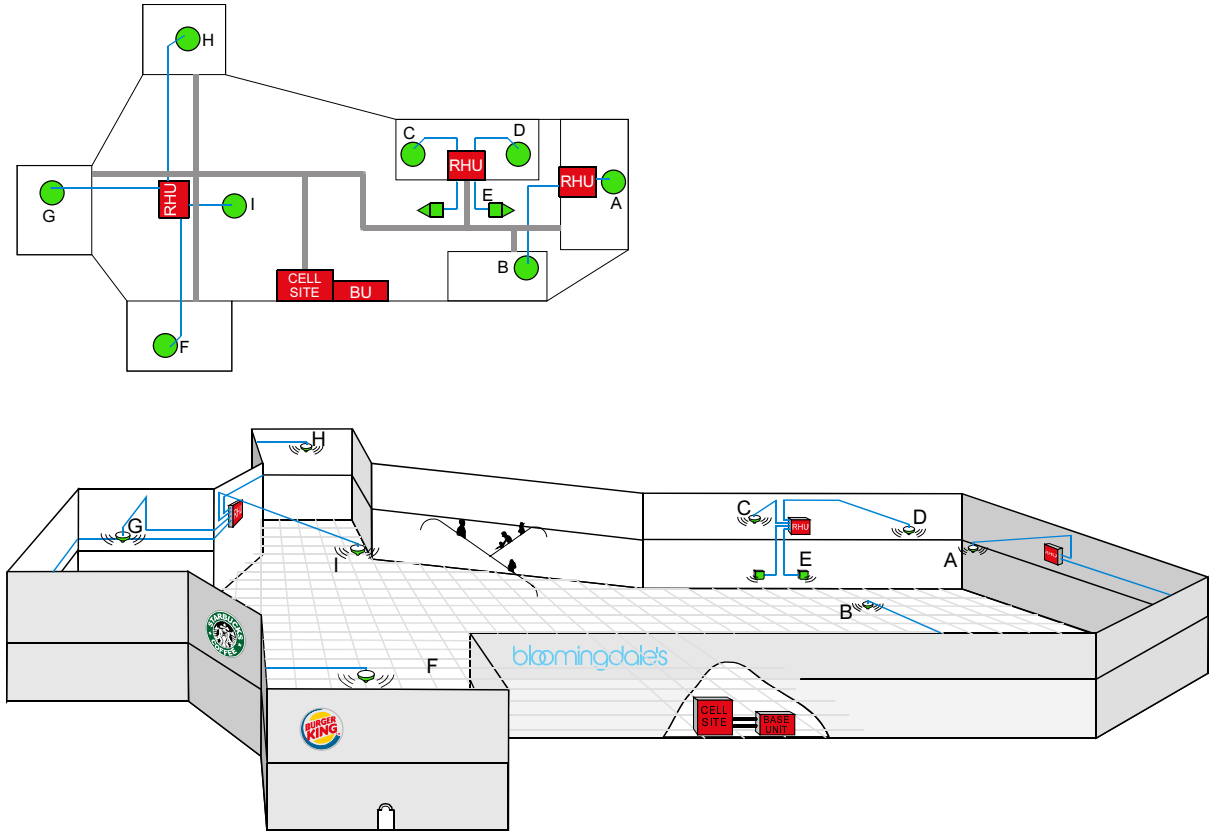


Figure 18 – Horizontal Layout Installation

5. Optical and RF Connections

The following sections describe the Litenna™ optical and RF connections.

- Base Unit
- Remote Hub Unit

5.1. Base Unit

There are two set-up options for the Base Unit:

- BTS/RBS with one port
- BTS/RBS with two ports

5.1.1. BTS/RBS with one port

1. BTS/RBS must be connected to a duplexer (standard), via 50Ω (RG223) coax cable.
2. The downlink port is connected through attenuators to the input on the Base Unit, according to the required input power.
3. When more than one Base 4 Unit is used, splitters are required to connect to the other Base Unit inputs.
4. The uplink will only combine the required ports and connected to the duplexer uplink port via 50Ω (RF 223) coax cable.
5. Connect the fiberoptic cables from the Base Unit to the RHUs through the patch panel cabinet.
6. Connect the power supply to the units, according to power design planning.



Note

All other cables are male to male 50Ω.

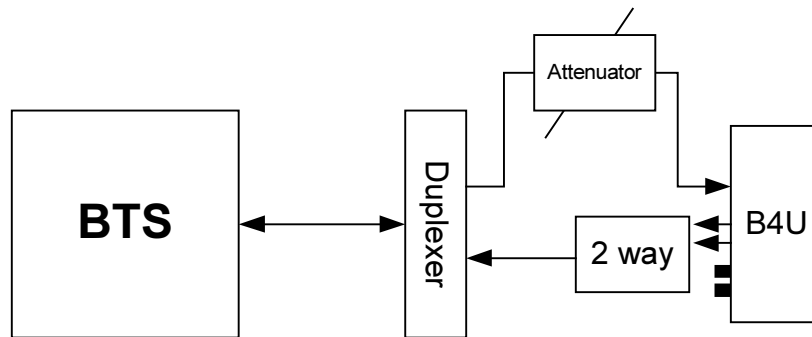


Figure 19 – EXAMPLE: One port BTS/RBS connected to 1 B4U with two uplink ports

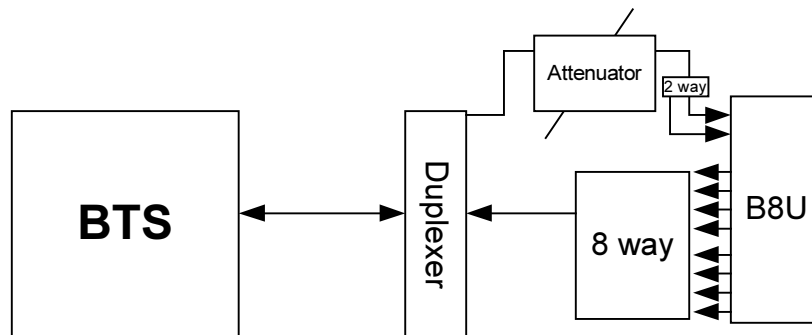


Figure 20 – EXAMPLE: One port BTS/RBS connected to 1 B8U with eight uplink ports

5.1.2. BTS/RBS with two ports

1. The BTS/RBS downlink port should be connected via 50Ω (RG223) coax cable to the Base Unit input via attenuator.
2. The downlink coax cable coming from the BTS/RBS should be split using splitters to all Base Unit input ports (split according to need).
3. The input power for the Base Unit should be calculated to meet the product specifications.
4. For the uplink only the necessary ports will be combined and connected to the BTS/RBS uplink port with suitable splitter.



Note

All cables are coax jumpers (male to male 50Ω).

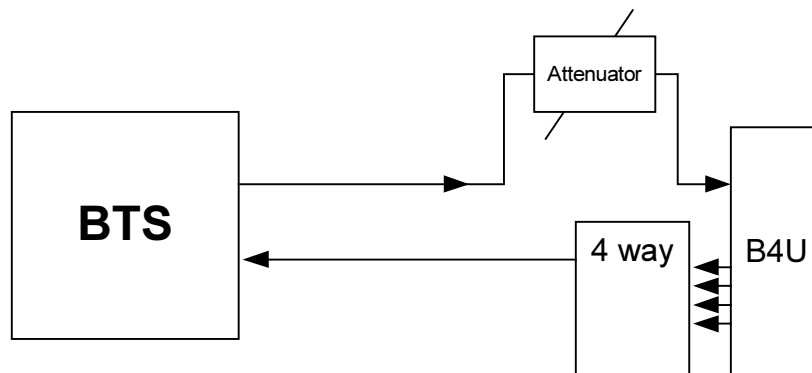


Figure 21 – EXAMPLE: Two port BTS/RBS connected to B4U with four uplink ports

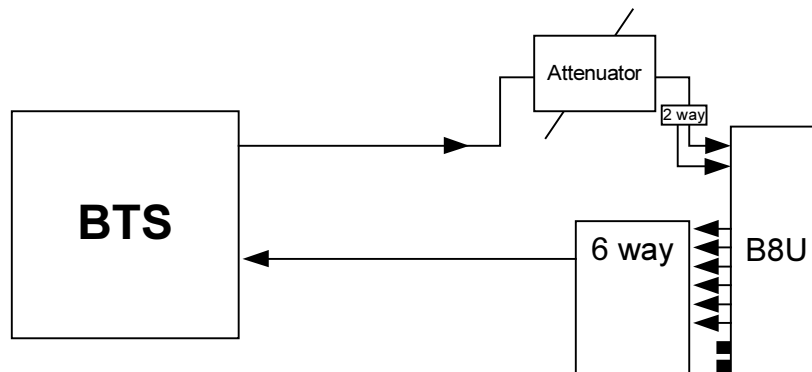


Figure 22 – EXAMPLE: Two port BTS/RBS connected to B8U with six uplink ports

5.2. Remote Hub Unit

1. For Downlink, connect the fiberoptic cable pigtailed from splice box coming from the Base Unit port to the corresponding Remote Hub Unit port.
2. Connect the Remote Hub Unit to antennas according to the RF engineers design. (up to 4 antennas per RHU).
3. For Uplink, connect the fiberoptic cable pigtailed from splice box from the Remote Hub Unit to the uplink port that connects to the Base Unit.
4. Connect the power supply to each RHU according to power design planning.

6. Alarm Monitoring

The BU has a 25 pin D-type connector that is connected to 8 dry contact relays (B8U). Each of the relays indicates the status of the link between the BU and one of the RHUs. This capability provides the status of the optical communications. The relay connections on the 25 pin D-type connector can be connected directly to the BTS alarm relays and can be controlled from the remote end.

In order to transmit the Litenna system as a “major alarm”, all dry contact pins need to be connected in a serial (cascade) formation, for Normally Closed alarm.

All dry contacts need to be connected in parallel formation, for Normally Open alarm.



Note

For further information contact Foxcom Wireless

Table 7 - 25 Pin Alarm Pinouts

Pin	Type of Alarm	Port
1	Dry Contact 4	1
2	Dry Contact 4	2
3	Open Collector	4
4	Dry Contact 1	1
5	Dry Contact 1	2
6	Open Collector	1
7	Dry Contact 2	1
8	Dry Contact 2	2
9	Open Collector	2
10	Dry Contact 3	1
11	Dry Contact 3	2
12	Open Collector	3
13	Dry Contact 8	1
14	Dry Contact 8	2
15	Open Collector	8
16	Dry Contact 5	1
17	Dry Contact 5	2
18	Open Collector	5
19	Dry Contact 6	1
20	Dry Contact 6	2
21	Open Collector	6
22	Dry Contact 7	1
23	Dry Contact 7	2
24	Open Collector	7
25	-	-

7. Power Supply for Litenna

The power supplies to drive the Litenna can be purchased from Foxcom Wireless. The power supplies will be installed into a rack or mounted on a wall and will provide power for both the Base Units and Remote Hub Units.

100W/ 48VDC AC/DC converters provide power for the Litenna system as shown in the example in Figure 23.

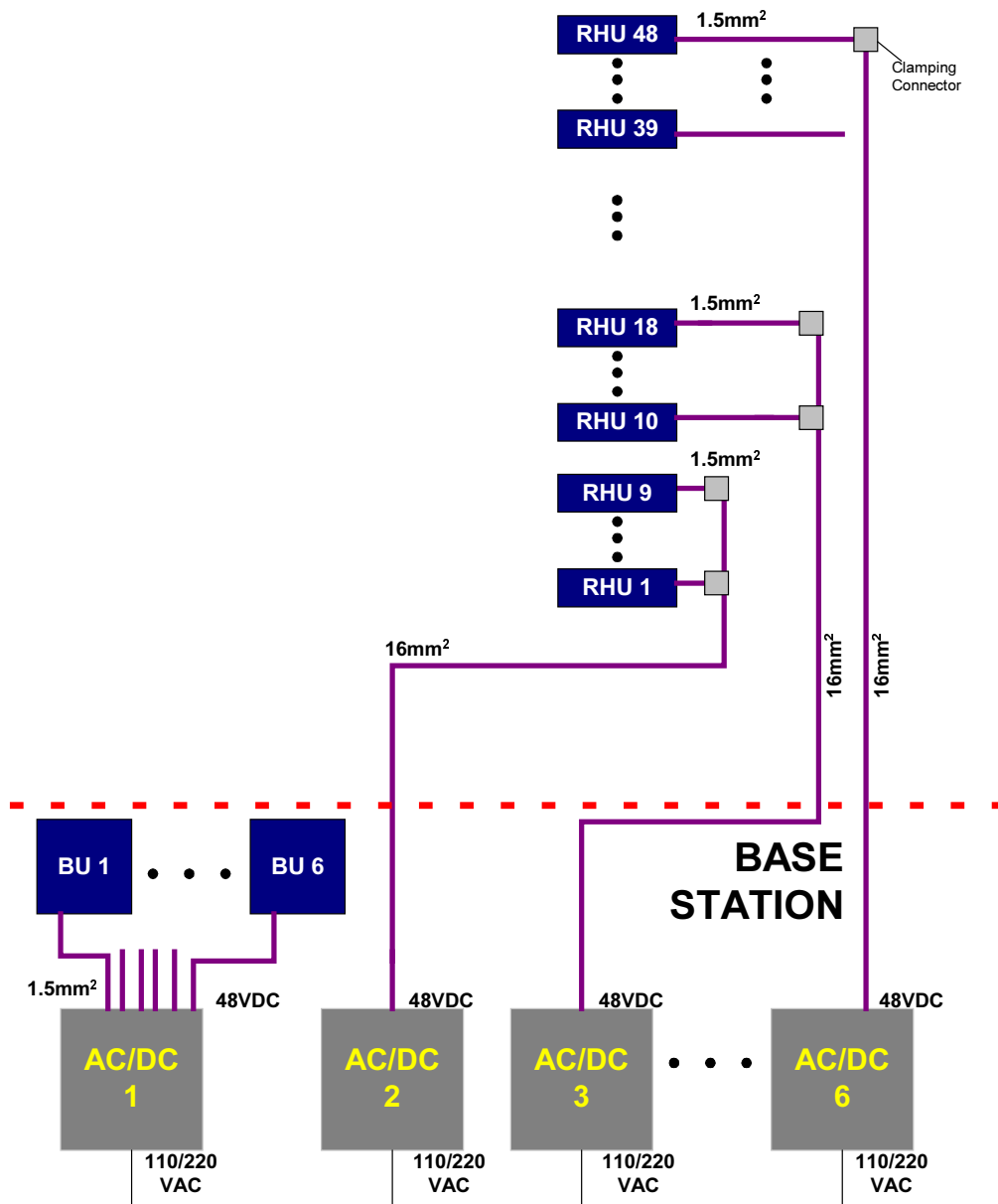


Figure 23 – EXAMPLE: DC Power Supply in High Rise Installation

The power supply that drives the Litenna™ system can be purchased from Foxcom Wireless. Four power supply options are available.

7.1. Option One

In this option the BU is connected to the power supply via electrical cables. In order to power the RHU from the Power supply, two copper electrical wires running through the building (separately from the fiberoptic cables) supply power to each RHU in parallel. For this configuration, electrical power calculations need to be made. This option is shown in Figure 23.

7.2. Option Two

This power supply is located near the BU. The Power supply will drive the BU and RHUs. To provide power, the BU is connected to the power supply via electrical cables. To supply power to the RHU, a composite cable is used (composite cable contains two fiber cables and two copper electrical wires in the same jacket). For this configuration, electrical power calculations need to be made. See example in Figure 18.

7.3. Option Three

In this option the power supply type is a stand alone configuration. Power for both the BU and RHUs will be supplied separately. In this configuration each unit will be co-located with a power supply. This will not require long electrical cable runs.

Table 8 - Power Supply Options

Materials	Model
Local power supply	LPS-24-1A
Remote power supply (no redundancy)	RPS-200-N-48
Remote power supply (fully redundant)	RPS-150-R-48
Remote power supply (fully redundant)	RPS-500-R-48
Remote power supply (fully redundant)	RPS-1000-R-48

8. Optical Test Procedure

This section describes the methods applied to test fiberoptic cable's optical insertion loss and return loss.

8.1. Fiberoptic Cable Test

Due to the extended distances that analog signal transmissions travel on cable, the major challenge is to determine the status of the cable.

In order to determine that the cables are functioning, technical personnel need to perform optical power tests.

The optical power tests covered in this document are:

- Optical insertion loss measurement test
- Optical return loss measurement test

In order to explain the testing procedures, the terms related to these tests need to be explained.

8.2. Fiberoptic Cable – Terms

Fiberoptic cable is produced in a variety of formats with different characteristics. The following terms define the various aspects of fiberoptic cable:

- Fiberoptic cable
 - Jacket
 - Buffer
 - Fiber
- Optical fiber
 - Core
 - Clad
 - Singlemode
 - Multimode
- Fiberoptic connection
 - Splice
 - ◆ Fusion
 - ◆ Mechanical
 - Connector
- Bending Loss
 - Minimum bending radius
- Coupler

8.2.1. Optical Fiber

Fiberoptic cable is described by the amount of fibers contained within.

The cable described by the following terms:

- Glass
- Buffer
- Jacket

Glass

Glass is the middle fiber in the cable. The data sent over the cable travels through the glass.

Buffer

The buffer is the plastic coating that covers the fiberoptic cable. The buffer protects the glass from moisture and other damage.

Jacket

The jacket covers the buffer, providing greater protection to the glass.

The fiber consists of:

- Core
- Clad

The central part of a fiber is known as the core, and the material surrounding the core is known as the clad. The clad has a lower index of refraction than the core, allowing light to be completely reflected off the surface between the core and the clad. As a result, propagated light remains entirely within the core. The cross-section of the cable is expressed as the core diameter followed by the clad diameter. For example, a 9/125 fiber has a core diameter of 9 μ m and a clad diameter of 125 μ m.

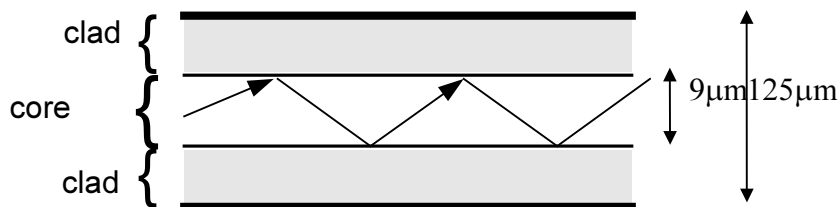
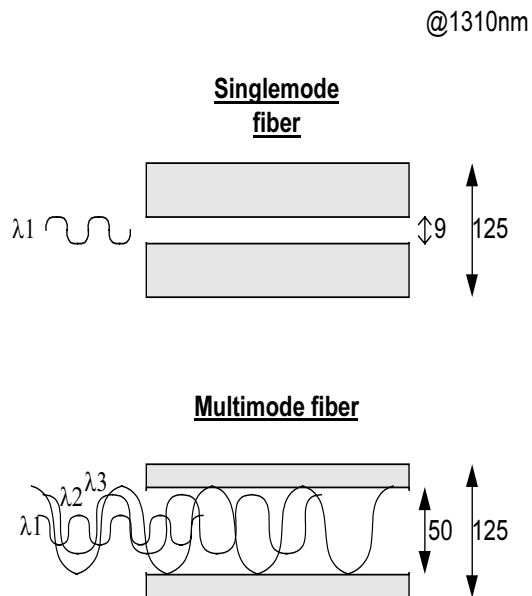


Figure 24 – Fiberoptic Cable Structure

The cables are available in two different modes, each with different propagation properties:

Property	Core	Clad	Attenuation
Singlemode	9 μm	125 μm	.38 dB/Km
Multimode	50 μm	125 μm	1 dB/Km
Multimode	62.5 μm	125 μm	



(For illustration only)

Figure 25 – Singlemode - Multimode Fibers

8.2.2. Connecting Fiberoptic Cable

The following are needed in order to carry out a fiberoptic connection:

- Splice
- Connector

Splice

A splice consists of cutting the fiberoptic cable across the cable's diameter and combining the opening with another fiberoptic cable.

A splice can be carried out in the following methods:

Fusion – following the splice, the cables are warmed and the two fiberoptic cables are melted together.

Mechanical – following the splice, a hard connection is made between the two fiberoptic cables.

Connector

In order to add or connect additional fiberoptic cable, a connector is used to make the connection. There are several types of connectors:

- FC/PC
- SC/PC
- SC/APC (used by Litenna)

8.2.3. Fiberoptic Cable Bending Loss

When the cable has bends or interior irregularities, then the optical signal becomes weaker, known as Bending Loss.

The sharper the bend, the higher the loss. Such losses increase the cable's attenuation.



Note

When installing fiberoptic cable, the minimum bending radius needs to be noted in order to prevent excessive bending of the cable, causing additional loss.

8.2.4. Coupler

Light from the cable can be split or combined, using a **Coupler**. Couplers split light with minimal loss, from one to two fibers or combine light from two fibers into a single fiber.

8.3. Foxcom Wireless System Characteristics

The Litenna™ system consists of the following characteristics:

- Singlemode fiber
- Wavelength 1310nm
- Fiberoptic Cable Measurement Tests

Cable can be measured through several procedures. This document describes the following tests:

- Optical insertion loss measurement test
- Optical return loss measurement test

These tests are intended to be performed by technical personnel that deal with Foxcom Wireless systems.

Other equipment can be used to perform these tests, however the results have to be the same as will appear in the fiberoptic cable test results table (Table 9), at the end of this document.

The insertion loss measurement determines whether the optical signal power travelling the cable length is strong enough to be received by the photo diode, in the receiver.

Following the completion of the insertion loss test, the return loss test determines the optical signal power that returns to the laser. The return power affects the laser, changing the laser's base current.

8.3.1. Test Equipment

In order to perform these tests, the following equipment is necessary:

- Light source (for wavelength 1310nm , 0dbm)
- Optical power meter
- Optical coupler (hosed and connectorized)
- Fiberoptic jumper
- Adapter parts for the cable connectors

For information about equipment suppliers, contact Foxcom Wireless.

8.4. Optical Insertion Loss Measurement Test

The optical insertion loss measurement tests the attenuation of the cable. The insertion loss' value should be minimal and remain in scale to 0.4dB/Km.

The insertion loss measurement can be performed in two methods:

- Two point test
- Single point test

8.4.1. Method #1: Two Point Test

Connection description: Light source connected at one end of the cable and an optical power meter at the other end.

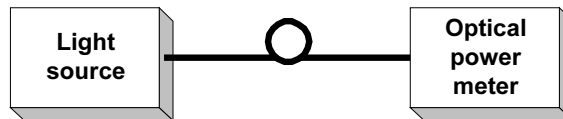


Figure 26 – Two Point Test

1. Connect light source directly to the optical power meter.
2. Measure light source signal power, verifying power of 0dBm.
3. Connect light source to cable end.
4. Connect optical power meter to cable at other end.
5. Measure light source signal power using the optical power meter.
6. Calculate the difference between two signals (dB):

$$\text{(Insertion loss)dB} = \text{(Light source signal at one end)dBm} - \text{(Measured signal at other end)dBm}$$

8.4.2. Method #2: Single Point Test

Connection description: This method assumes that there are two parallel fibers on the path to be tested. Connect fiber jumper at end of the cable being tested to another parallel cable. Connect the light source, optical power meter and optical jumper as shown in Figure 27. This measurement can test two cables simultaneously.

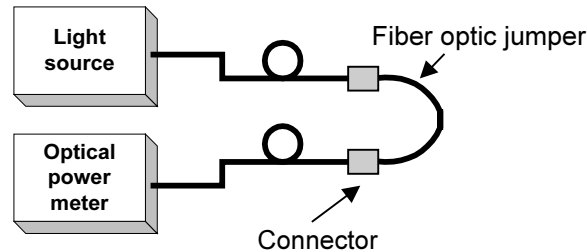


Figure 27 – Single Point Test

1. Use optic jumper to connect the two cables.
 2. Connect light source directly to the optical power meter.
 3. Measure the power of light source signal , verify power of 0dBm.
 4. Connect a light source and optical power meter to one end of each cable.
 5. Measure the power of the signal.
 6. Calculate the difference between the two signals in dB
- (Insertion loss)dB =(Light source signal)dBm– (Measure signal)dBm**

8.4.3. Other Test Equipment

The optical insertion loss measurement test can be performed with more sophisticated measurement equipment.

For information on other types of test equipment contact Foxcom Wireless.

8.5. Optical Return Loss Measurement Test

Connection description: Connect a light source and optical power to the inputs. If the coupler has one output, connect the tested cable to this output. If the coupler has two outputs make a pigtail at the second output.

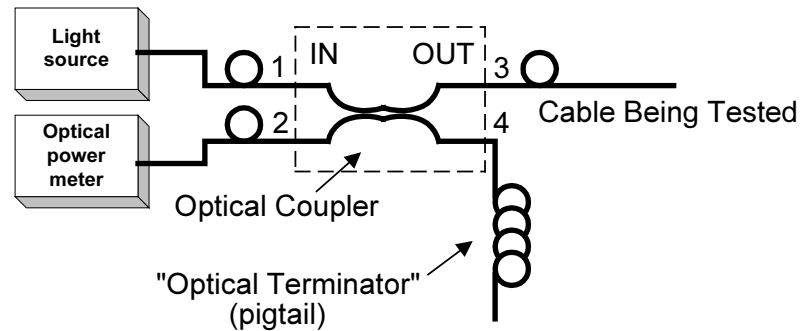


Figure 28 – Optical Return Loss Measurement

8.5.1. Measurement Procedure

Measuring Power Input To Cable Being Tested

1. Verify that light source power is at 0dBm.
2. Connect a light source to connector #1.
3. Connect optical power meter to connector #3.
4. Measure signal power (P_3), power should be approximately -4 dBm.

Measuring Coupler Power Loss

1. Move power meter from connector #3 to connector #2.
2. Move light source from connector #1 to connector #3.
3. Measure power loss of coupler (L_c).

Measuring Return Power

To measure return power:

1. Move light source from connector #3 to connector #1.
2. Connect cable being tested to output connector #3.
3. If coupler has two outputs, then make a pigtail at second output.
4. If cable is longer than 100 meter, then cable needs to be isolated.

To isolate cable:

1. Find place near test point where winding the cable into a pigtail is possible.
2. Make pigtail.
3. If cable is shorter than 100 meter, then verify that cable is disconnected at end.
4. Measure the return light power (P2), connector #2.

Calculating Return Loss

Calculate the difference between the signals in dB.

$$(\text{Return loss})\text{dB} = (P2)\text{dBm} - (P3)\text{dBm} + (Lc)\text{dB}$$

8.6. Results

The following table is filled in by technical personnel testing the fiberoptic cables.

Table 9 - Fiberoptic Cable Test Results

Test	Measurement	Pass Range	Pass/Fail
Optical insertion loss		<0.5 dB/Km	
Optical return loss		< -50 dB	

8.7. Summary

If the fiber fails in the optical insertion loss or optical return loss tests, then the connector needs to be cleaned. Connector cleaning is carried out according to a standard cleaning procedure. Following cleaning, the fiber needs to be tested again. If the failure continues in the fiber following cleaning, then the technical personnel need to refer to the fiberoptic cable manufacturer's troubleshooting guide.

If the fiber passes the optical insertion loss and optical return loss tests, then the tested fiberoptic cable is considered suitable for use with Foxcom Wireless equipment.

9. Final Test

The following checklist should be consulted when reviewing the system's setup.

- Check power supplies.
- Check that all LEDs are lit.
- Carry out Walk Test, checking all antenna locations, and checking the RSSI power levels at those locations.

9.1. Base Unit and Remote Hub Unit Connections

When the Litenna™ is being installed the LEDs on the units can verify that the optical fibers are performing correctly, and that proper connections have been made. Foxcom Wireless recommends checking the status of all connections in the Litenna™ system in order to make sure that the installation was carried out correctly. Verification is done by checking the LEDs on the Base and Remote Hub Units. See Table 10 for an explanation of the possible optical LED performance states and how to deal with problems.



Note

When the RHU not receiving light signal from Base Unit, power to laser is disconnected.

10. Maintenance / Mechanical Adjustment

No maintenance required.

No fine tuning required.

11. Troubleshooting

The following table should be consulted to verify proper operations of all optical connections.

Table 10 - Optical LED States

Optical Out	Optical In				
Base Unit Laser	Base Unit Link	RHU	State	Reasons	Troubleshooting
+	+	+	Both units performing.		
+	-	+	Base Unit sending light and Base Unit not receiving signal from RHU.	<ol style="list-style-type: none"> 1. Defective fiber connection from RHU to Base Unit. 2. Failure in RHU. 	<ol style="list-style-type: none"> 1. Check connection from RHU to Base. Check fiber for break or crimp test. 2. Contact Customer Service at Foxcom Wireless.
+	-	-	RHU not receiving signal from Base Unit.	Defective fiber connection from Base Unit to RHU.	Check connections To RHU. Switch the cable connections, to make sure connected properly.
-	-	-	System not active.	Power not reaching any unit.	Check power connections. If LEDs on, then LEDS have failed at the Base Unit.

+ Optical connection performing correctly (Optical LED lit).

- Optical connection not performing correctly (Optical LED not lit).

12. Frequently Asked Questions (FAQ)

1. What are the BU and the RHU, and for what are they used for?

The Litenna™ system consists of two modules: Base Unit and Remote Hub Unit. The Base Unit interfaces between the microcell or base station and the Remote Hub Unit (RHU). The interface is via either a composite cable or fiberoptic cable. In this description, on the downlink path, the Base Unit converts incoming RF signals to optical signals, transmitting these signals over fiberoptic cable to the RHU. The RHU converts the optical signal back to RF. The RHU drives the four connected antennas. On the uplink path, the RHU combines and converts incoming RF signals from the four antennas into optical signals, transmitting these signals back to the Base Unit. The Base Unit converts the signals back into RF signals.

2. How does the BU connect to the RHU, and which fibers and connectors are required?

The BU connects to the RHU via fiberoptic cable. The system uses 2 fibers for each RHU connection, one fiber for the uplink and one fiber for the downlink. The Litenna™ system requires singlemode fibers and SC/APC connectors.

3. How many RHUs and antennas are required for each floor in a building?

Determine the number of RHUs and antennas per floor depends on the building size and configuration. Each RHU can support up to four antennas. It is possible to connect several BUs together in one installation, increasing the amount of available RHUs. With one BU able to support up to eight RHUs, this translates to up to 32 antennas.

4. Is the RHU and BU power supply AC or DC? and what is the voltage level?

The power needs of the BU and RHU are supplied by DC power. The voltage level is 18V-48V. Foxcom Wireless offers a power supply for the BU as well as the RHU. The power supply options are a Remote-located power supply, or a Local power supply.

The Remote-located power supply is located near the BU. This power supply drives the BU and the RHUs. To provide power, the BU is connected to the power supply via electrical cables. For power to the RHU, a composite cable can be used. [A composite cable contains two fiber cables and two copper electrical wires in the same jacket]

The Local power supply provides power to the BU and to the RHU separately. A Local power supply is co-located with each BU and RHU, not requiring long electrical cable runs.

5. Can the RHU be used in outdoor applications?

Currently, the RHU can be used only for indoor applications. The RHU can be upgraded for outdoor applications.

6. What type of antennas can be used?

All antennas types (appropriate to the cellular standard used) can be used for the Litenna™ system, including leaky coax.

7. Does the RHU require a dedicated power supply or can it be powered by remote?

The RHU can be supplied with a local power supply, or by a remote powering DC cable over fiberoptic cables (composite cable).

8. Can the Litenna™ Base Unit be connected to the BTS/Microcell/BDA/off-air repeater?

The Litenna™ BU can be connected to the following: BTS, Microcell, Off-air Repeater (with virtually no modifications).

9. Does the Litenna™ require any special tuning or adjustments during the installation?

The Litenna™ doesn't required any special tuning or adjustments during the installation.

10. Does the Litenna™ support multi services, like GSM Dual band?

The Litenna™ system is upgradable to support multi services over the same fiber cable, like GSM Dual-Band (900/1800). The system will also be available as a field modular system for UMTS (3G).

11. What are advantages of the Litenna™ compared to a coax solution?

The Litenna™ advantages over coax are: Low cost per antenna, easy to install and maintain, flexible placement, easy to configuration, and future proof.

12. What is the RF input power required at the Base Unit?

The required composite RF input power at the Base Unit is between 0dBm to 7dBm, depending on the operating standard.

13. What alarms are in the system, and how can they be transmitted to a central monitoring system?

The Litenna™ system can support 3 alarm options: Dry Contact alarms (Normally Closed), Dry Contact alarms (Normally Open) and open collector alarms. The alarms can be applied to every link or as a major alarm.

Intentionally Left Blank

13. Appendix A Link Measurements Form

To smoothly carry out link measurements, use the table that appears below. All relevant parameters are listed. This table aids system evaluation and provides necessary feedback to Foxcom Wireless.

The following issues should be taken into account:

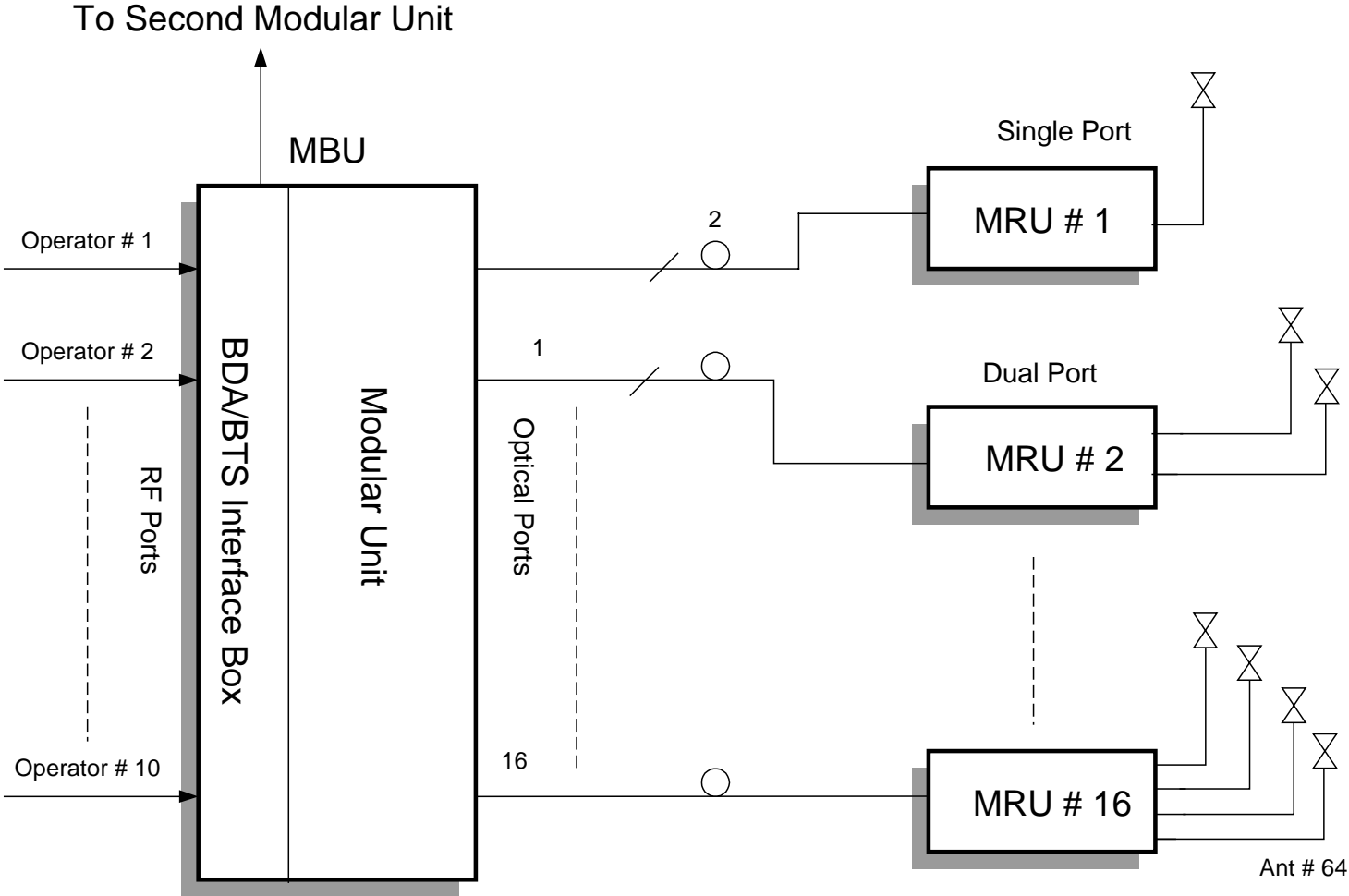
- Measure the optical power for every link with an optical meter and light source, according to the number of links or RHUs.
- Measure the typical signal strength (RSSI) for every installed antennas.
- Check coax cable connection between RHU and every installed antenna.

Table 11 - Link Measurement Table

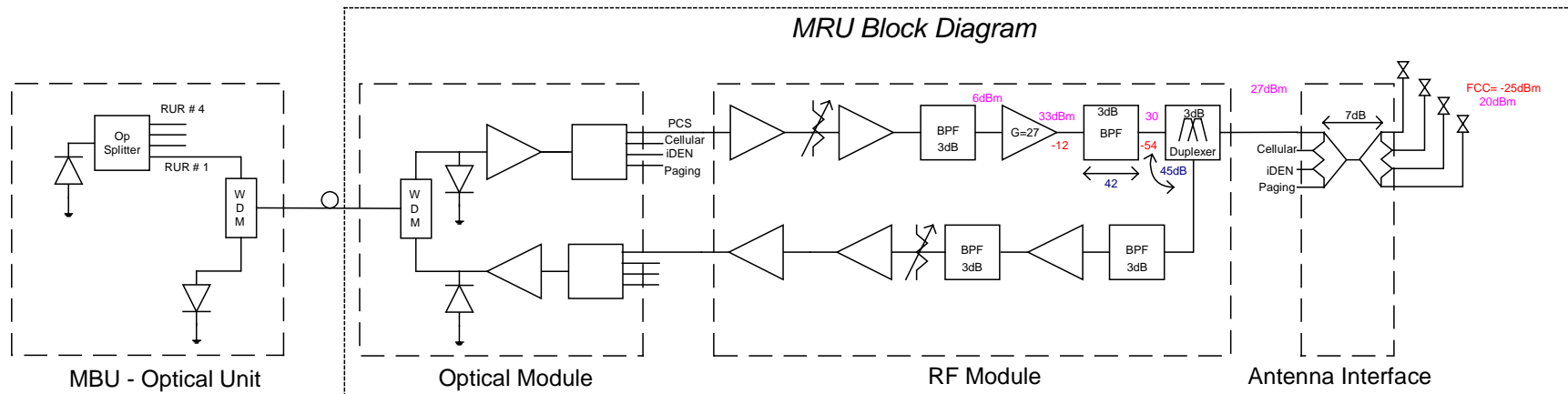
System Link	Power Meter (mW)	RSSI (dBm)				Coax Cable (OK/Fail)			
		Ant1	Ant2	Ant3	Ant4	Ant1	Ant2	Ant3	Ant4
RHU1									
RHU2									
RHU3									
RHU4									
•									
•									
•									
•									
•									
•									

Return this form to Foxcom Wireless (fax: 972-8-918-3844).

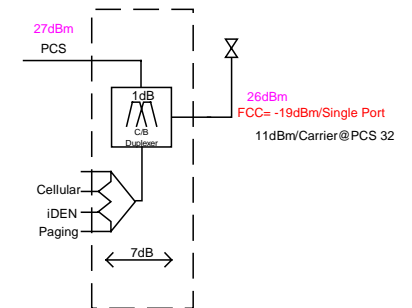
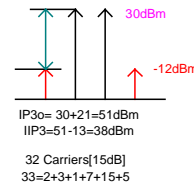
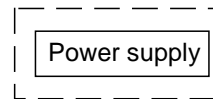
MuduLite Basic Block Diagram



System Block Diagram



PCS Plug In Module {4 Operators}



Preliminary System Spec

Up Link

<i>Parameter</i>	<i>PCS 1900</i>	<i>Cellular 800</i>	<i>iDEN</i>	<i>Page 900</i>
<i>Frequency Range [MHz]</i>	<i>1850-1910</i>	<i>824-849</i>	<i>806-821</i>	<i>901-902</i>
<i>Noise Figure [dB]</i>	<i>22</i>	<i>22</i>	<i>22</i>	<i>22</i>
<i>IIP3 [dBm]</i>	<i>-8</i>	<i>-2</i>	<i>-2</i>	<i>-2</i>
<i>VSWR</i>	<i>1.5:1</i>			
<i>System Gain [dB]</i>	<i>0</i>			

Down link

<i>Parameter</i>	<i>PCS 1900</i>	<i>Cellular 800</i>	<i>iDEN</i>	<i>Page 900</i>
<i>Frequency Range [MHz]</i>	<i>1930-1990</i>	<i>869-894</i>	<i>851-866</i>	<i>929-941</i>
<i>Max carriers per service</i>	<i>32</i>	<i>16</i>	<i>16</i>	<i>3</i>
<i>Output Power per carrier [dBm]</i>	<i>7</i>	<i>3</i>	<i>3</i>	<i>3</i>
<i>Output IP3 [dBm]</i>	<i>According to specific Standard & FCC Reg</i>			
<i>VSWR</i>	<i>1.5:1</i>			

System Features

•Will Serve up to 10 Operators in the following arrangement:

<i>Service</i>	<i>Operators</i>	<i>Carriers</i>
<i>PCS</i>	<i>4</i>	<i>32</i>
<i>Cellular</i>	<i>2</i>	<i>16</i>
<i>iDEN</i>	<i>1</i>	<i>16</i>
<i>Paging</i>	<i>1</i>	<i>3</i>
<i>US 3G</i>	<i>2</i>	<i>2</i>

Alarms:

- *Optical*
- *RF Power*
- *RF Input Power Over Load*
- *Ant*
- *Communication Port*
- *External Alarm Input*

Controls:

- *Out put Power control (Adaptive)*
- *Operator shut off*
- *MRU shut down*
- *System BIT*
- *Local/Remote system set up & configuration*
- *MCU Modem back up powering*
- *Laser shut down*
- *ATE Ready*

Monitoring:

- *RF Input Power*
- *RF Output Power*
- *Temp*

MBU characteristics

Modular Unit

- *4 Optical Modules serving up to 16 Remotes*
- *2 AC/DC DC/DC or Mix of Power Supplies Modules*
- *1 Micro controller Module (Build In MCU Controller)*
- *1 Interface Module*
- *Size 3U 19”*
- *Wight 10 Kg*
- *Consumption 10 Watts*

BTS Interface Unite

- *Size 4 U 19”*
- *Wight 20 Kg*
- *Up to 10 Diplexers & Attenuators*
- *Supports 2 Modular Units*

MRU characteristics

Modular unit

- *Size 26" x 13" x 7" or 19" Mountable*
- *5 RF Service Modules*
- *1 AC/DC or DC/DC Power Supplies Module*
- *1 Micro controller Module*
- *1 BB Optical module*
- *1 RF Interface Unit*
- *Wight 10 Kg*
- *Consumption 85 Watts*

Filter Interface Unit

- *Size U 19"*
- *Wight 10 kg*
- *4 BPF/HP/LP*



IBSP - RF Specifications

TDMA 800/GSM 1800 and GSM 900/GSM 1800

Parameter	TDMA800		GSM900		GSM1800	
	Downlink	Uplink	Downlink	Uplink	Downlink	Uplink
Output Power at antenna port / per carrier (dBm)	4 Ports (1 Port)		4 Ports (1 Port)		4 Ports (1 Port)	
Composite (one carrier):	20 (24)		20 (24)		17 (21)	
2 Carriers:	17 (21)		17 (21)		14 (18)	
4 Carriers:	14 (12)		14 (12)		11 (15)	
10 Carriers:	10 (14)		10 (14)		7 (11)	
Nominal input power (Composite)(dBm):	6	-	6	-	7	-
Mean Gain (dB):	14 (18)	4	14 (18)	4	10(14)	4
Gain Flatness (dB):	±2.0	±2.0	±2.0	±2.0	±2.5	±2.5
Max Intermodulation Distortion (IMD)(dBm):	-13	-	-36	-	-30	-
Input IP3 (dBm):	-	-2	-	-2	-	-6
Noise Figure (dB):	-	18	-	18	-	20
1dB compression point (dBm):	24	-8	24	-8	22	-9
SFDR (dB):	-	72	-	67	-	63