



MobileAccess™ 1000 System

Installation and Configuration Guide

709C001501

UM-1000 Ver. 2.4

February, 2005

MobileAccess 1000

MobileAccess Ltd. Vienna, Virginia Tel: +1-703-848-0200

MobileAccess Ltd. Lod, Israel Tel: +972-8-9183888

<http://www.MobileAccess.com>

Email: sales@MobileAccess.com

Copyright © 2006 MobileAccess.

© 2005 by MobileAccess

This document contains confidential and proprietary information of MobileAccess and may not be copied, transmitted, stored in a retrieval system or reproduced in any format or media, in whole or in part, without the prior written consent of MobileAccess. Information contained in this document supersedes any previous manuals, guides, specifications, data sheets or other information that may have been provided or made available to the user. This document is provided for informational purposes only, and MobileAccess does not warrant or guarantee the accuracy, adequacy, quality, validity, completeness or suitability for any purpose of the information contained in this document. MobileAccess reserves the right to make updates, improvements and enhancements to this document and the products to which it relates at any time without prior notice to the user. MOBILEACCESS MAKES NO WARRANTIES, EXPRESS OR IMPLIED, INCLUDING, WITHOUT LIMITATION, THOSE OF MERCHANTABILITY AND FITNESS FOR A PARTICULAR PURPOSE, WITH RESPECT TO THIS DOCUMENT OR ANY INFORMATION CONTAINED HEREIN.

Trademark acknowledgement

MobileAccess™ is a registered trademark of MobileAccess. This document contains other trademarks, trade names and service marks of MobileAccess and other organizations, all of which are the property of their respective owners.

Policy For Warrantee And Repair

MobileAccess tests and inspects all its products to verify their quality and reliability. MobileAccess uses every reasonable precaution to ensure that each unit meets their declared specifications before shipment. Customers should advise their incoming inspection, assembly, and test personnel about the precautions required in handling and testing our products. Many of these precautions can be found in this manual.

The products are covered by the following warranties:

General Warranty

MobileAccess warrants to the original purchaser all standard products sold by MobileAccess to be free of defects in material and workmanship for one (1) year from date of shipment from MobileAccess. During the warranty period, MobileAccess will repair or replace any product that MobileAccess proves to be defective. This warranty does not apply to any product that has been subject to alteration, abuse, improper installation or application, accident, electrical or environmental over-stress, negligence in use, storage, transportation or handling.

Specific Product Warranty Instructions

All MobileAccess products are warranted against defects in workmanship, materials and construction, and to no further extent. Any claim for repair or replacement of units found to be defective on incoming inspection by a customer must be made within 30 days of receipt of shipment, or within 30 days of discovery of a defect within the warranty period.

This warranty is the only warranty made by MobileAccess and is in lieu of all other warranties, expressed or implied. MobileAccess sales agents or representatives are not authorized to make commitments on warranty returns.

Returns

In the event that it is necessary to return any product against above warranty, the following procedure shall be followed:

1. Return authorization is to be received from MobileAccess prior to returning any unit. Advise MobileAccess of the model, serial number, and discrepancy. The unit may then be forwarded to MobileAccess, transportation prepaid. Devices returned collect or without authorization may not be accepted.
2. Prior to repair, MobileAccess will advise the customer of our test results and any charges for repairing customer-caused problems or out-of-warranty conditions etc.
3. Repaired products are warranted for the balance of the original warranty period, or at least 90 days from date of shipment.

Limitations Of Liabilities

MobileAccess's liability on any claim, of any kind, including negligence for any loss or damage arising from, connected with, or resulting from the purchase order, contract, quotation, or from the performance or breach thereof, or from the design, manufacture, sale, delivery, installation, inspection, operation or use of any equipment covered by or furnished under this contact, shall in no case exceed the purchase price of the device which gives rise to the claim.

EXCEPT AS EXPRESSLY PROVIDED HEREIN, MOBILEACCESS MAKES NO WARRANTY, EXPRESSED OR IMPLIED, WITH RESPECT TO ANY GOODS, PARTS AND SERVICES PROVIDED IN CONNECTION WITH THIS AGREEMENT INCLUDING, BUT NOT LIMITED TO, THE IMPLIED WARRANTIES OF MERCHANTABILITY AND FITNESS FOR A PARTICULAR PURPOSE. MOBILEACCESS SHALL NOT BE LIABLE FOR ANY OTHER DAMAGE INCLUDING, BUT NOT LIMITED TO, INDIRECT, SPECIAL OR CONSEQUENTIAL DAMAGES ARISING OUT OF OR IN CONNECTION WITH FURNISHING OF GOODS, PARTS AND SERVICE HEREUNDER, OR THE PERFORMANCE, USE OF, OR INABILITY TO USE THE GOODS, PARTS AND SERVICE.

Reporting Defects

The units were inspected before shipment and found to be free of mechanical and electrical defects.

Examine the units for any damage that may have been caused in transit. If damage is discovered, file a claim with the freight carrier immediately. Notify MobileAccess as soon as possible.

NOTE: *Keep all packing material until you have completed the inspection*

WARNING: To comply with FCC RF exposure compliance requirements, antennas used for this product must be fixed mounted on indoor permanent structures, providing a separation distance of at least 20 cm from all persons during normal operation.

WARNING: Antenna gain should not exceed 10dB.

WARNING: Each individual antenna used for this transmitter must be installed to provide a minimum separation distance of 20 cm or more from all persons and must not be co-located with any other antenna for meeting RF exposure requirements.

WARNING: The design of the antenna installation needs to be implemented in such a way so as to ensure RF radiation safety levels and non- environmental pollution during operation.

ATTENTION:

Compliance with RF safety requirements:

- MobileAccess™ products have no inherent significant RF radiation.
- The RF level on the down link is very low at the Remote Units (RHUs) downlink ports. Therefore, there is no dangerous RF radiation when the antenna is not connected.

Laser Safety

LASER WARNING



Fiber optic ports of the MobileAccess 1000/2000 emit invisible laser radiation at the 1310 nm wavelength window.

To avoid eye injury never look directly into the optical ports, patchcords or optical cables. Do not stare into beam or view directly with optical instruments. Always assume that optical outputs are on.

Only technicians familiar with fiber optic safety practices and procedures should perform optical fiber connections and disconnections of the MobileAccess 1000/2000 modules and the associated cables.

The MobileAccess 1000/2000 complies with 21 CFR 1040.10 and 1040.11 except for deviations pursuant to Laser Notice NO. 50 (July 26, 2001) & IEC 60825-1, Amendment 2 (Jan. 2001).

Care of Fiber Optic Connectors

F/O Connectors Cautions

Do not remove the protective covers on the fiber optic connectors until a connection is ready to be made. Do not leave connectors uncovered when not connected.

The tip of the fiber optic connector should not come into contact with any object or dust.

Refer to the cleaning procedure for information on the cleaning of the fiber tip.

Certification

MobileAccess products have met the approvals of the following certifying organizations:



ISO 9001

For US: FCC 47 CFT part 22,24,90
 FDA-CDRH

For Canada: RSS-118, RSS-119, RSS-133....

NOTE: This equipment has been tested and found to comply with the limits for a Class B digital device, pursuant to Part 15 of the FCC Rules. These limits are designed to provide reasonable protection against harmful interference in a residential installation. This equipment generates, uses and can radiate radio frequency energy and, if not installed and used in accordance with the instructions, may cause harmful interference to radio communications. However, there is no guarantee that interference will not occur in a particular installation. If this equipment does cause harmful interference to radio or television reception, which can be determined by turning the equipment off and on, the user is encouraged to try to correct the interference by one or more of the following measures:

- Reorient or relocate the receiving antenna.
- Increase the separation between the equipment and receiver.
- Connect the equipment into an outlet on a circuit different from that to which the receiver is connected.
- Consult the dealer or an experienced radio/TV technician for help.

Warning!

Changes or modifications to this equipment not expressly approved by Mobile Access Ltd. could void the user's authority to operate the equipment.

Preface

This user guide provides all the information necessary to install and configure the MobileAccess 1000 System.

Revision History

The revision history for this document is shown in Table 1-1.

Table 1-1: Revision history

Version	Date	Description
1.0	April 2003	Initial version.
2.0	October 2003	Updated version to MobileAccess.
2.1	November 2003	Review and editing
2.2	December 2003	Adding and updating RHU 1200
2.3	August 2004	Connections of RIU connections 1200 Add-on - update
2.4	Jan 2005	Laser warnings and maximum current

Table of Contents

1 Introduction	1
1.1 About MobileAccess™ 1000	1
1.1.1 Features	2
1.2 System Architecture	3
1.3 Configuration Options	3
1.4 MA 410/430 Remote Management	5
1.5 MobileAccess Models	6
2 System Elements	9
2.1 Remote Modules	9
2.1.1 MA 1000 RHUs	9
2.1.1.1 RHU 1000 Front Panel	10
2.1.1.2 RHU 1000 Rear Panel	11
2.1.2 MA 1200 Add-on	12
2.1.2.1 MA 1200 Front Panel	12
2.1.2.2 MA 1200 Rear Panel	13
2.1.3 MA-850 Module	13
2.1.3.1 MA 850 Front Panel	14
2.1.3.2 MA 850 Rear Panel	15
2.2 Radio Interface Unit (RIU)	16
2.2.1.1 RIU Front Panel	17
2.2.1.2 RIU Rear Panel	18
2.3 MA Base Units	18
2.3.1.1 MA BU Front Panel	19
2.3.1.2 BU Rear Panel	20
2.4 MobileAccess NMS System	21
3 Site Preparation	23
3.1 Infrastructure Preparation	23
3.2 Installation Requirements	23
3.3 Coaxial Cable Connections	23
3.3.1 General Cable Installation Procedures	23
3.3.2 Fiber Optic Rules	24
3.3.3 RF Rules	24
3.4 Power Consumption, Connections and Power Supplies	25

- 3.4.1 Power Safety Instructions 25
- 3.4.2 Power Consumption of Units 25
- 3.4.3 Circuit Breakers 26
- 3.4.4 Types of Power Supplies 26
- 3.5 Installation Conventions 27
- 4 System Installation..... 29**
- 4.1 Overview 29
- 4.2 Communication Room Installation 29
 - 4.2.1 Rack Installation General Instructions 30
 - 4.2.2 Rack Installation Safety Instructions 30
 - 4.2.3 Single Building Rack Installation 31
 - 4.2.4 Multi-Building Rack Installation 32
 - 4.2.5 RIU Connections 33
 - 4.2.5.1 Basic Connections 33
 - 4.2.5.2 Connections to Additional BUs 34
 - 4.2.6 BU Connections 34
 - 4.2.7 Controller Connections 34
- 4.3 Remote Site Installation 35
 - 4.3.1 RHU 1000 Installation 35
 - 4.3.1.1 Wall Mount 35
 - 4.3.1.2 Connections 36
 - 4.3.2 MA 1200 Add-on Installation 36
 - 4.3.2.1 Assembly and Connections 36
 - 4.3.3 Antenna Connections 38
- 5 Appendix I: Optical Test Procedures 39**
- 5.1 General 39
- 5.2 Optical Loss Testing 39
 - 5.2.1 Required Test Equipment 39
 - 5.2.2 Test Procedure 40
 - 5.2.3 Example 41
- 5.3 Optical Back-reflection Testing 42
 - 5.3.1 Required Test Equipment 42
 - 5.3.2 Test Procedure 42

1 Introduction

1.1 About MobileAccess™ 1000

MobileAccess™ 1000 converged wireless networks solution provides scalable in-building coverage for multiple wireless data and voice services through a single coax and broadband antenna infrastructure.

The solution is based on combining a number of services, both voice and data, at each covered location and distributing them through a common antenna infrastructure.

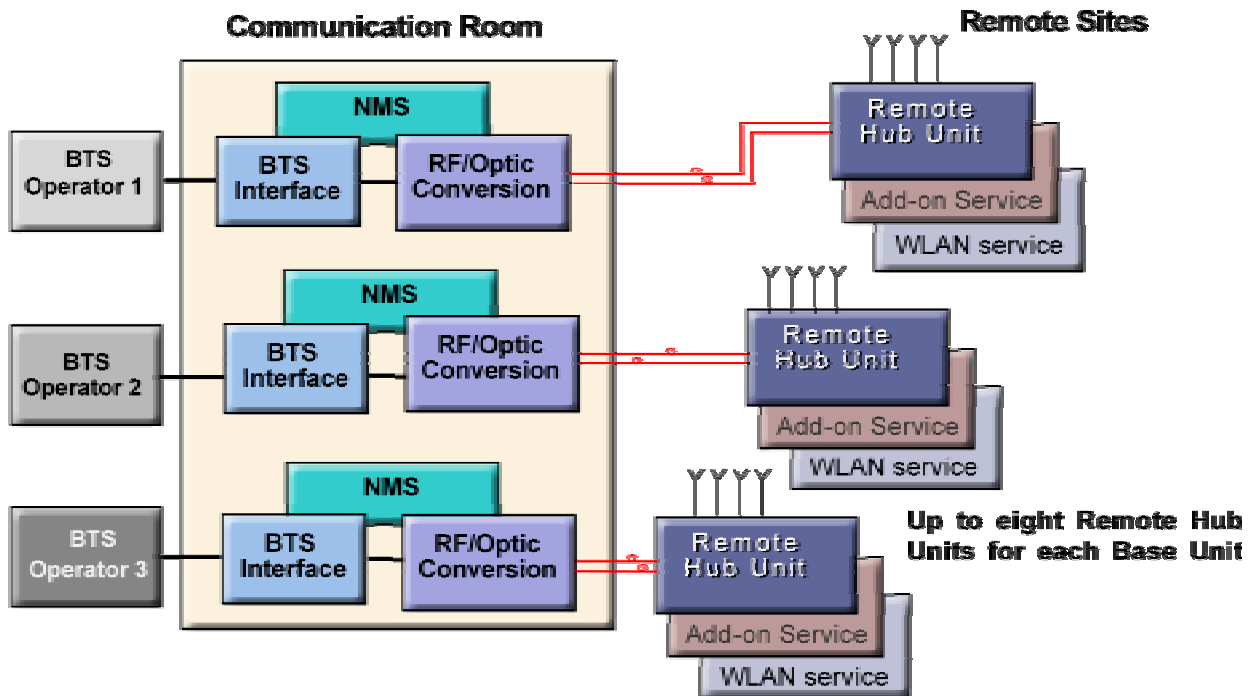


Figure 1-1. MA 1000 System Overview

Voice services are transmitted between the BTS side and the locations via optic fiber after the appropriate conversion from RF to optic, and reconverted to RF at each end. The MA 1000 system provides entry level solutions that can be upgraded *using the same infrastructure* to support additional services as required.

Wireless 802.11/a/b/g coverage may be integrated into the MA 1000 system using the **MA 850** remote module (that supports wireless LAN service distribution).

To optimize system coverage under changing environmental conditions or load, as well as to enable remote monitoring of all system elements from a central location, MobileAccess provides the following MA 1000 system enhancement solutions:

- Manageable BTS interface devices that control the level of the BTS signal fed into the system (Radio Interface Unit)
- Network Management System (NMS) consisting of controllers, adjustment and management software

1.1.1 Features

- Support for all current and future technologies such as TDMA, CDMA, WCDMA and GSM, and services such as PCS/CELLULAR, Paging, iDEN and 802.11 (a/b/g) Wireless LAN
- All services are distributed through a *single* coax and antenna infrastructure
- All active components are located in the communication closet/room
- Modular, scalable and future-safe – additional remote units can *easily* be installed
- Support for remote monitoring through MA 410/430 controllers
- Eliminates RF interferences occurring where multiple antenna systems are used to serve multiple services
- Enables fast deployment for corporate enterprises, property owners and WSP's of new services
- Reduces tenant disruption
- Low power required by the system eliminates the need for high power BTS/RBS, reducing operator expenses
- Provides both local and remote monitoring and control capabilities
- Software programmable parameters including output power, AGC (on/off and levels), and system gain
- Real time component setting capabilities for optimal performance (aging, temperature, optical connectors, etc..)

1.2 System Architecture

The MA 1000 solution is based on the following main elements:

- **MA Base Units (BUs)** – The BUs perform RF to optic conversion on the BTS side.
- **MA Remote Hub Units (RHUs) 1000** – The MA 1000 performs the RF to optic signal conversion at the antenna side for up to two services corresponding to the RHU model. A third service can be added by connecting an add-on remote hub unit (**MA 1200**) to the RHU 1000.
- **MA 850** – The MA 850 is a wireless LAN module that provides secure and centralized connections for 802.11a/b/g Access Points and distributes the wireless services over the same coax and broadband infrastructure as the voice services.

All services are combined and distributed through the same antenna broadband infrastructure.

To provide optimum coverage at all times and monitoring and control of all system elements from a central location MA provides the following devices:

- **MA Radio Interface Units (RIUs)** – The RIUs provide interfaces for up to three BTS/BDA signals, and automatically adjusts the output signal in response to input signal level in order to provide optimal coverage.
- **MA 410/430 controllers** – The controllers enable remote monitoring of the system elements from a *single location* via advanced intuitive GUI.

1.3 Configuration Options

The MobileAccess™ 1000/1200 system includes three basic configuration options:

A) Basic configuration

The Base Unit drives a single or dual band, MobileAccess™ 1000 RHU. The dual band RHU consists of a low band service (cellular 800, iDEN, Paging, or GSM 900) and a high band service (PCS 1900 or DCS 1800).

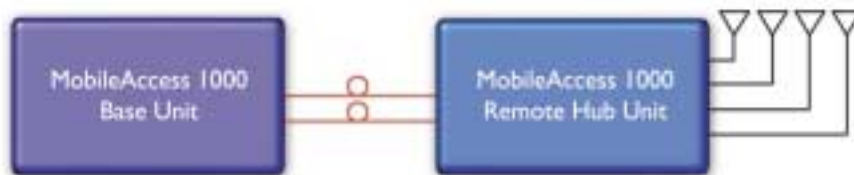


Figure 1-2. MobileAccess 1000 Basic BU – RHU Configuration

B) Using the MobileAccess 1200 add-on unit to provide an additional service

A MobileAccess™ 1200 add-on unit can be connected to a MA RHU 2000 unit to provide a third service. The add-on unit can be Cellular, PCS, UMTS, 3G, or any future service.

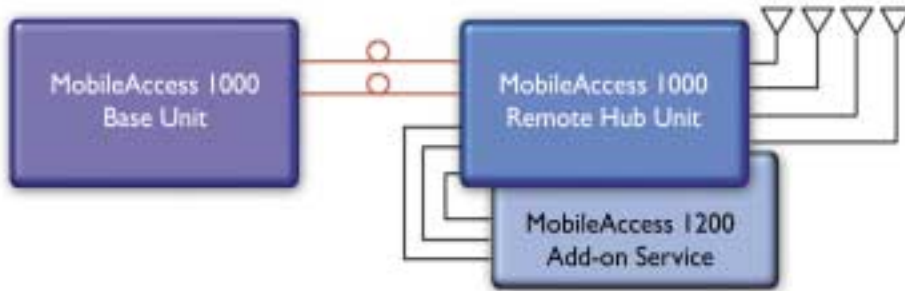


Figure 1-3. MobileAccess 1000/1200 BU – RHU Plus Add-On

C) Using the MobileAccess 800 WLAN module to provide access to high data-rate service

A WLAN module (MobileAccess™ 800) may also be added in a configuration that includes both RHU 1000 and RHU 1200 or only RHU 1000.

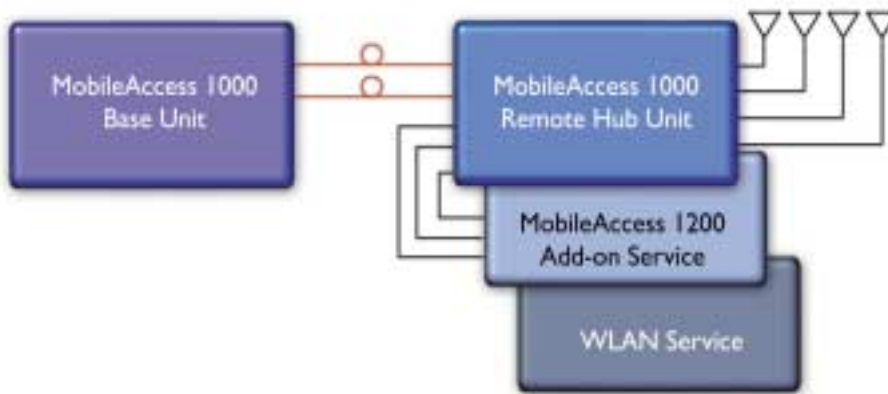


Figure 1-4. MobileAccess 1000/1200 BU – RHU Plus Add-on Plus WLAN Configuration

1.4 MA 410/430 Remote Management

The MobileAccess (MA) Network Management System (NMS) provides complete site coverage and network management. It can be used to provision coverage that can compensate for changing loads. It also provides real-time monitoring, control and diagnostics capabilities for *MobileAccess* devices from a single location.

NOTE: *The MA NMS System is fully described in the MA NMS System Configuration and Operation Guide.*

The MA NMS system consists of:

- **MA 410/430 Controller** – The controller provides the interface between the system elements and the management and control mechanism. Two controller models are available:
 - MobileAccess 410™ – enables management of the connected devices through a local or point-to-point dial-up connection. It can be remotely managed through a connection to the MobileAccess 430 controller.
 - MobileAccess 430™ – enables management of all connected elements and all connected MA 410 controllers and the corresponding elements. Supports SNMP (Simple Network Management Protocol) over TCP/IP connection.
 - MA 430 may be managed through the Network Operator Center (NOC) through Manager of Managers element such as HP OpenView via SNMP.
- **MCT** – a Java based GUI application provided with both controllers. The MCT is used after the installation procedure to adjust MobileAccess devices according to the installation site characteristics in order to optimize coverage for the site.

The application is installed and ran from a computer that is connected either locally or via remote dial-up modem to the controller site to be adjusted or monitored.

- **MobileAccess Manager™** – a Java based GUI software application that provides enhanced monitoring and control capabilities for all your *MA 430™* sites from a single location; each site can consist of a standalone MA 430 controller, or a MA 430 controller in a Master topology with a number of MA 410 controllers connected as slaves. The **MobileAccess Manager** application is not supplied with the controller – it is *purchased separately*.

The MA NMS application is installed on a server and is accessed from any client by connecting to the server from any Web Browser with enhanced Java VM capabilities.

MA NMS manager provides the following features and capabilities:

- Remote SNMP management from a single location
- Client/server management capability over a TCP/IP network with enhanced monitoring and control capabilities
- Intuitive GUI that enables end-to-end fault sourcing from RIU to antennas. The GUI includes:
 - System status at a glance through multi-color tree with upward propagation of fault indications
 - Graphical view of system elements including LED status displays and auxiliary connections
 - Multi-color event monitoring display
 - RF Connections

1.5 MobileAccess Models

Table 1-1: MobileAccess™ BU Models

MobileAccess Universal Base Units (1000, 1200, 2000 support)	
WB-B8U	Wide Band Base 8 Unit supporting 8 RHUs
WB-B4U	Wide Band Base 4 Unit supporting 4 RHUs

Table 1-2: MobileAccess™ RHU Models with Add-on Capabilities

MobileAccess 1000 RHUs (ready for add-on units)	
1000S-CELL-4	Single band-Cellular, 4 ports
1000S-IDEN-4	Single band-iDEN, 4 ports
1000S-PCS-4	Single band-PCS 4 ports
1000D-IDEN-PCS4	Dual band-iDEN/PCS, 4 ports
1000D-SMR-PCS4	Dual band-SMR/PAGING/PCS, 4 ports
1000D-CELL-PCS4	Dual band-Cell/PCS, 4 ports
1000D-CELL-DCS4	Dual band Cell/DCS 4P ready for add-on units
1000D-CL-M-DCS4	Dual band Cell multi operator/DCS 4P ready for add-on units
1000D-GSM-DCS4	Dual band GSM/DCS 4P ready for add-on units
1000D-GSMO-DCS4	Dual band GSM orange/DCS 4P ready for add-on units

Table 1-3: MobileAccess™ RHU Models

MobileAccess 1000 RHUs (Litenna compatible)	
10L-D-IDEN-PCS4	Dual band-iDEN/PCS, 4 ports, LBC
10L-D-SMR-PCS4	Dual band-SMR/PAGING/PCS, 4 ports, LBC
10L-D-CELL-PCS4	Dual band-Cell/PCS, 4 ports, LBC
10L-D-CELL-DCS4	DB Cell/DCS 4P ready for add-on units-LBC
10L-D-CL-M-DCS4	DB Cell multi opr/DCS 4P ready for add-on units-LBC
10L-D-GSM-DCS4	DB GSM/DCS 4P ready for add-on units-LBC
10L-D-GSMO-DCS4	DB GSM orange/DCS 4P ready for add-on units-LBC

Table 1-4: MobileAccess™ 1200 RHU Models

MobileAccess 1200 RHU	
1200-PCS-SA-1	Stand Alone high power PCS, one port
1200-UMTS-SA-1	Stand Alone high power UMTS, one port RHU
1200-PCS-AO	Add-on RHU supporting a PCS service
1200-UMTS-AO	Add-on RHU supporting UMTS service

Table 1-5: MobileAccess™ UMTS Ready RHU Models

MobileAccess 1200 RHU (Litenna UMTS Ready compatible)	
12L-UMTS-AO	Add-on RHU supporting UMTS service LBC

Table 1-6: MobileAccess™ Controller Models

Network Controller	
410	Network Controller – Serial Interface (dial-up)
430	Network Controller –Ethernet/IP Interface

Table 1-7: MobileAccess™ Management System

Network Management System	
NMS-SW-SERVER	GUI and server S/W package (one per site)
NMS-SW-MFEE	NMS annual S/W maintenance fee (per 430-CTLR)

Table 1-8: MobileAccess™ RIU

Radio Interface Unit	
RIU-IM	Radio Interface Unit
RIU-BTSC-CELL	BTS Conditioner for Cellular
RIU-BTSC-IDEN	BTS Conditioner for iDEN
RIU-BTSC-PCS	BTS Conditioner for PCS
RIU-BTSC-SMR	BTS Conditioner for SMR-Paging
RIU-BTSC-GSM	BTS Conditioner for GSM 900MHz
RIU-BTSC-GSM-O	BTS Conditioner for GSM 900MHz for Orange
RIU-BTSC-DCS	BTS Conditioner for DCS 1800MHz
RIU-BTSC-UMTS	BTS Conditioner for UMTS 2100MHz

2 System Elements

This chapter describes each of the system elements, and their individual connections. It can be used as reference to verify the connections of each module or to upgrade your system.

2.1 Remote Modules

The Optical to RF conversion of each service at the individual building floors is performed by remote units corresponding to the service types. These consist of MA 1000 RHUs and in addition, may include MA 1200 add on modules and MA 850 modules.

The configurations depend on the requirements of the site and the supported services. The following sections describe each of the system elements.

NOTE: *The connections as they relate to the MA 1000 system are described in Chapter 4 - System Installation.*

2.1.1 MA 1000 RHUs

Each RHU supports two different services (one high-band and one low-band). All RHUs are add-on ready, meaning that their optic interface and control functionality can support a third (high-power) service through the connections of a MA 1200 Add-on module (see section 0).

Each RHU 1000 is connected to the corresponding BU (located in the communication room) through a fiber optic connection. Remote monitoring is provided through the BU connections to the MA 410/430 controller (see section 2.4).

The RHU 1000 services, MA 1200 add-on service and data services (provided by MA 850 - 2.1.3) at each location are combined and then transmitted over a common infrastructure to strategically placed antennas.

2.1.1.1 RHU 1000 Front Panel

The RHU 1000 front panel contains the fiber optic connections to the BU, four coax connections to the antennas, power connections and status indicators.

If RHU 1000 and MA 1200 add-on units are installed, then the combined services are fed to the coax infrastructure through the *RHU 1000 antenna ports*. However, if MA 850 is also installed, the combined *data and voice* services are fed to the coax infrastructure through the *MA 850 antenna ports*.

NOTE: To provide alarms, the antenna must supply a DC resistance of up to 5K ohms.

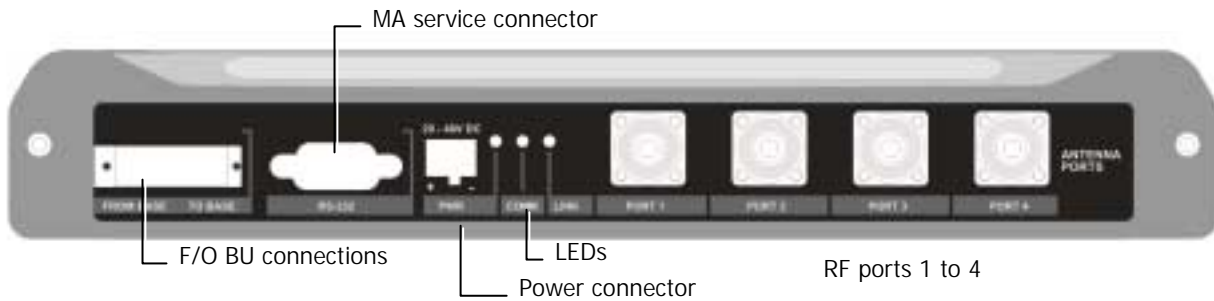


Figure 2-1. RHU 1000 Front Panel

Table 2-1. RHU 1000 Front Panel Indicators

LED	Description
COMM	Active communication detected
LINK	Optical link to BU detected
PWR	DC power connected

2.1.1.2 RHU 1000 Rear Panel

The RHU 1000 rear-panel provides the control, RF interface and optic interface ports that enable connecting an MA 1200 add-on unit to the RHU 1000 module.



Figure 2-2. RHU 1000 Rear

Table 2-2. RHU 1000 Rear Panel Connectors

Add-on control	Transmits the control signals from MA 1200 add-on module to the RHU 1000 module. Connected to the MA 1200 add-on Control From port.
High Band	Connects to the 1200 Add-on High Band port. Provides the interface to the Add-on RF service which is combined with the RHU services and distributed through the common coax infrastructure.
DL, UL	Transmit the RF signals to- and from- the MA 1200 add-on module. These ports are connected to the corresponding ports on the MA 1200 rear panel: DL to DL, UL to UL.

2.1.2 MA 1200 Add-on

The MobileAccess 1200 Add-on module is a high power module, supporting a single frequency band (low or high). It is designed to be integrated with a host *RHU 1000* module. The RHU 1000 module provides the following functionality for both units:

- Optical interface (to the BU) and conversion
- RF interface (to antennas) and conversion
- Control signals

In addition, MA 850 services can also be combined with MA 1200 add-on and RHU 1000 services. (However, in this type of configuration the combined services interface to the coax infrastructure through the MA 850 ports.)

NOTE: *The units are integrated through simple external cable connections between corresponding ports.*

2.1.2.1 MA 1200 Front Panel

The RHU 1200 front panel contains the power connection and status LEDs. (The RS-232 connector is reserved for MA service personnel).

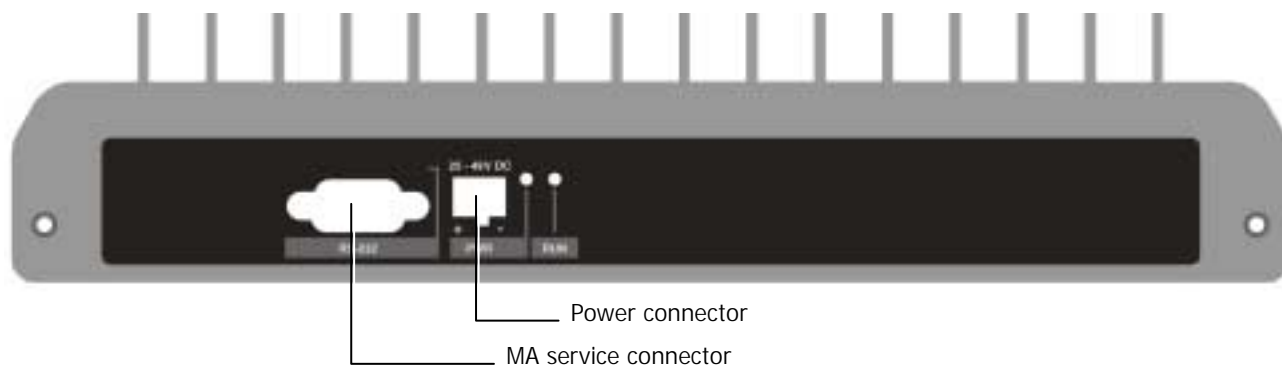


Figure 2-3. RHU 1200 Front panels

Table 2-3. MobileAccess 1200 Front Panel Indicators

LED	Description
RUN	When blinking, indicates that the RHU is in normal operating mode.
PWR	Power ON

2.1.2.2 MA 1200 Rear Panel

The RHU 1200 rear panel contains the connections to the RHU 1000 and MA 850.

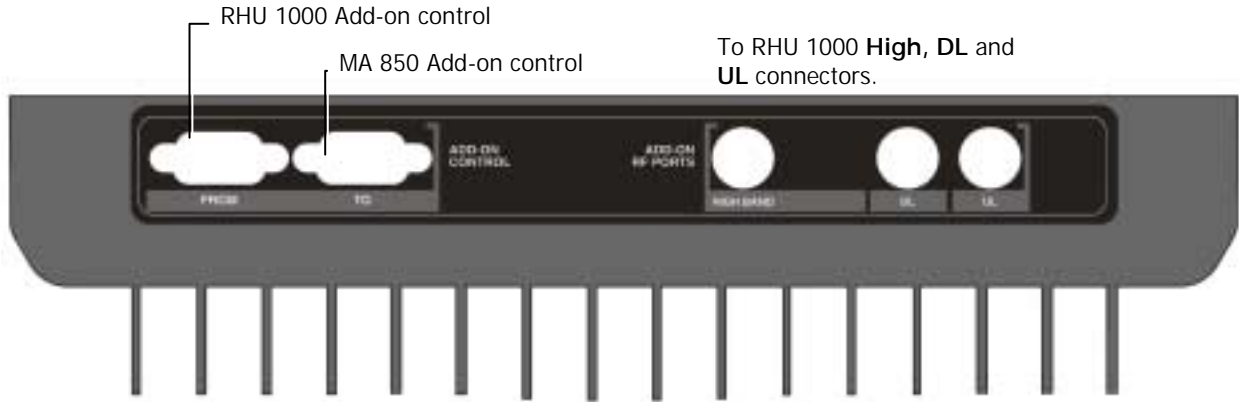


Figure 2-4. RHU 1200 Rear Panel

Table 2-4. RHU 1200 Rear Panel Connectors

Add-on Control	Transmits the control signals between the MA 1200 module and the MA 850 and RHU 1000 modules. From – receives control signals from the RHU 1000. Connected to the RHU 1000 Add-on Control connector. To – for configurations that include MA 850. Transmits control signals to MA 850. Connected to the MA 850 Add-on Control connector.
DL, UL	Transmit the RF signals to- and from- the MA 1200 add-on module. These ports are connected to the corresponding ports on the MA 1000 rear panel: DL to DL, UL to UL.
High	RF service output port connected to the RHU 1000 rear-panel High port.

2.1.3 MA-850 Module

***NOTE:** This section provides a brief overview of the MA 850 module. For detailed information on installation and connections, refer to the MA 850 Installation and Configuration Guide.*

MobileAccess 850 provides a *secure* and *centralized* connection for 802.11a/b/g Access Points. It significantly expands 802.11 coverage and enables distributing data and voice services over the same coax and antenna infrastructure used by MA 1000 system.

MA 850 may be assembled on top of the RHU 1000 or MA 1200 add-on. It is integrated into the MA 1000 system by interconnecting the appropriate connectors. The combined signals

of the MA 1000 system input to the MA 850 module and then distributed through the same coax broadband antenna infrastructure *connected to the MA 850*.

MA 850 may be remotely monitored through the RHU 1000 system to which it is integrated, and remotely configured through a point-to-point Ethernet connection.

The MA 850 front and rear panels, connectors and connections are described in detail in the following sections.

2.1.3.1 MA 850 Front Panel

The MA 850 front panel contains the antenna ports interfaces, local configuration interface and power connection.

NOTE: *Whether connected alone or integrated with RHU 1000 modules, the coax infrastructure is connected to the MA 850 coax ports.*

The following figure shows the MA 850 front panel.



Figure 2-5. MobileAccess 850 Front View

Table 2-5. MA 850 Front Panel Connections

Front Panel	Description
Mobile Services	Four SMA female connections to which the antenna port of the MA 1000 system are connected. To be terminated with 50 ohm terminations when not in use.
Antenna Ports	Four n-type female antenna connections
Local	Local connection for setup
DC	Power connection: 20V to 48V from a standard power supply

2.1.3.2 MA 850 Rear Panel

The MA 850 rear panel contains the connections to the APs, the Ethernet port for remote configuration and the connection to the MA 1200 add-on control (if an MA 1200 add-on unit is installed)



Figure 2-6. MobileAccess 850 Rear View

Table 2-6. MA 850 Rear Panel Connections

Rear Panel	Description
802.11b,g APs	Connection to up to four 802.11 b/g APs, where associated LED Lite under the following conditions: <ul style="list-style-type: none"> • Green: indicates where AP should be connected after configuration • Green flickering: Link with AP established but no data is received • Red: AP transmitting data
802.11a APs	Connection to up to four 802.11 a APs
Connection to control	Connection to MA 1200 To connector on the rear panel. Used for viewing antenna status
Ethernet port	Connection to network for Web configuration

2.2 Radio Interface Unit (RIU)

The RIU is an operator dedicated unit that interfaces to up to three BTS sources and automatically adjusts the signal output according to changing environmental conditions in order to provide optimal coverage for the site. The RIU is remotely monitored and managed.

Each RIU can support up to three **BTS Conditioner (BTSC)** sub-modules, where each sub-module provides interface to a BTS or BDA of *the same type of service*.

Each RIU can be connected to *four* 8-port Base Units (real panel connections) or to *eight* 4-port Base Units.

Additional BUs can be supported by using splitters and combiners connected to the front panel **Expansion** connectors.

The following figures shows an RIU with three BTSC sub-modules.



Figure 2-7. RIU

Note: All connections are via RG223 coax cables with 1/2" N-type male connectors

ATTENTION

The RIU is factory set to 0dB gain on the uplink and downlink. In order to operate properly, an **ADJUSTMENT** process is required in the field.

Any unused input and output connectors **MUST** be terminated with **50 ohms** – otherwise the ADJUSTMENT procedure results may be affected.

2.2.1.1 RIU Front Panel

The RIU front panel contains the indicators and expansion connectors for the connection of additional BUs.

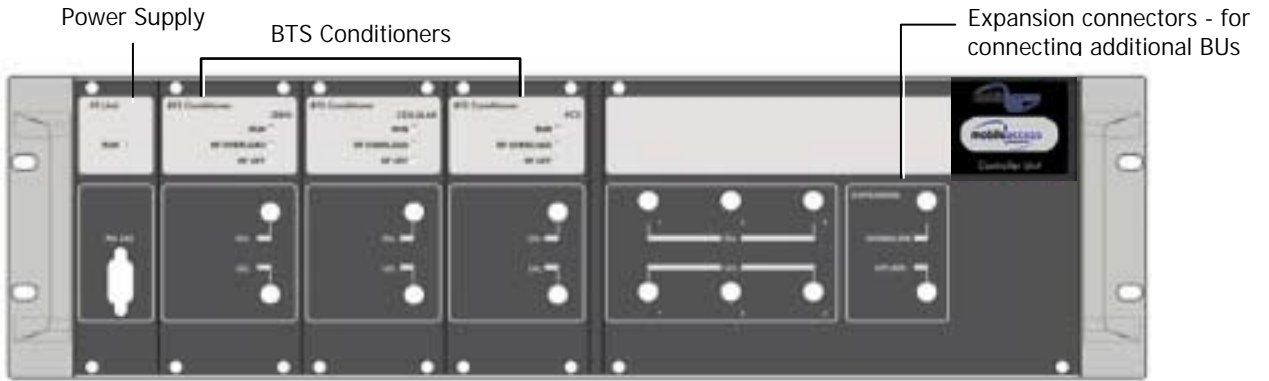


Figure 2-8. RIU Front Panel

Table 2-7. RIU Front Panel Indicators

LED	Description
P.S UNIT PWR	ON – input signal is at the required level.
BTS CONDITIONER RUN	Flashing -- CPU is running and software loaded
BTS CONDITIONER DL OVERLOAD	<p>Continuous Red – RF switch is disconnected to protect the system. This may be due to:</p> <ul style="list-style-type: none"> • Unpredicted power rise for which the attenuation response was insufficient to compensate and reduce the power to the required level. • Software problem detected. <p>Flashing: When the BTSC DL output power is more than 3dB of the calibrated value.</p>
BTS CONDITIONER DL LOW	Continuous Red – if the BTSC DL power is at least 15dB lower than the calibrated BTSC max power level. This condition also triggers an event.

2.2.1.2 RIU Rear Panel

The rear-panel provides all the connections on the BTS side and on the BU side as well as connections to the MobileAccess 410/430 controller and the power connection. Two types of BTS side connections are available for each BTS conditioner: simplex and duplex.

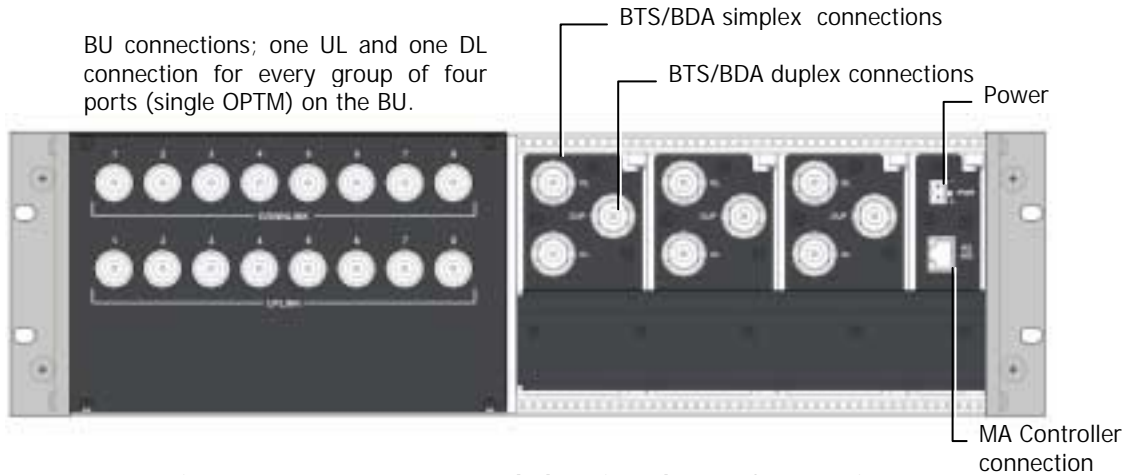


Figure 2-9. RIU Rear Panel showing the RF Connection

2.3 MA Base Units

The BUs (Base Units) perform RF to optical conversion of the signal on the BTS/BDA side. Each can support up to two services (provided by the same operator). Two models of MA BUs are available: four-port unit – supporting four RHUs, and eight-port unit supporting up to eight RHUs. The RBU models correspond to the services supplied through the BUs.

The BU (and all the corresponding remote units) may be remotely monitored and managed via the **MA NMS** (Network Management System).

The BUs are usually installed in the telecom room adjacent to the BTS/BDA signal source. RF ports on the rear panel provide interface to the BTS side (through connection to RIU or passive interface), while optic ports on the front panel provide interface to the RHUs (Remote Units). This following sections describe the MA BU front and rear panels, including indicators and connectors.

2.3.1.1 MA BU Front Panel

The front panel contains the optical connections and indicators. The BU is available in two configurations: **Four-port** - and **Eight-port** BUs. The eight-port BU consists of two four-port elements where each four-port element has a dedicated set of indicators (PWR, LSR and Link 1 to Link 4 or Link 5 to Link 8).

Four ports and corresponding indicators

Four ports and corresponding indicators



Figure 2-10. Eight-Port MA BU Front Panel



Figure 2-11. Four-Port BU Front Panel

Table 2-8. MA BU Front Panel Indicators

LED	Description
PWR	Power input detected for the corresponding unit.
LSR	ON - laser circuitry for the corresponding element (group of four ports) is functioning correctly.
Link 1-4, 5-8	ON - the optical link to/from the connected remote functions within the specifications in both directions. Blinking - optical power from remote is lower than expected by at least 2 dBm

2.3.1.2 BU Rear Panel

The BU rear panel contains the RF, Alarms, NMS and power connections. Note that there are two uplink and two downlink RF connections to the BTS side (to an Interface Box or RIU) - each individual uplink and downlink connection corresponds to a four-port BU element. For a four-port BU, one uplink and one downlink port is connected; for an eight-port BU, two uplink and two downlink ports are connected.

For systems that include MA 430 controllers, the **RS 485** port is connected to the MA 410/430 controller to enable remote monitoring and management of the BU from a central location. For systems without remote management, the **Alarms** dry-contact connector pins can be connected to the BTS to provide alarms functionality.



Figure 2-12. MA BU Rear Panel (RF Connections)

Table 2-9. MobileAccess 1000 Rear Panel Connections

Connector	Description
Uplink output	Uplink connectors to be connected on BTS side.
Downlink input	Downlink connectors to be connected on the BTS side.
Com Port RS485	Connection to MobileAccess 410/430 controller.
PWR	Power connection
Alarms	Dry-contact connections to BTS/BDA (normally closed). Relevant only for system without MA 410/430 controllers.

2.4 MobileAccess NMS System

NOTE: This section provides general information on the MobileAccess 410/430 Controller. For detailed information on the controller, configuration and connections refer to the Mobile Access NMS User's Guide.

The MobileAccess controllers enable managing and controlling the MobileAccess system elements. All the monitoring and control operations can be performed from the Master's location.

Two MobileAccess controller configurations are provided: MobileAccess 410 and MobileAccess 430. The models differ in their remote access capabilities:

- MobileAccess 410 provides point-to-point connectivity implemented via either direct RS232 connection or via connection to a DSPN phone line
- MobileAccess 430 provides client/server management capability over TCP/IP network with enhanced monitoring and control capabilities (in addition to the connectivity options provided by MobileAccess 410).

NOTE: The MobileAccess 430 front panel is differentiated from the MobileAccess 410 front panel by the SNMP Agent Card that provides TCP/IP management capabilities.

Controller Front Panel

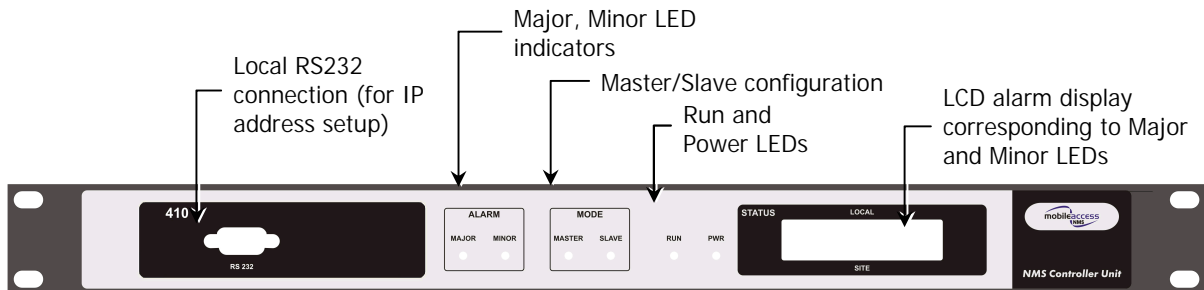


Figure 2-13. MobileAccess 410 Front Panel

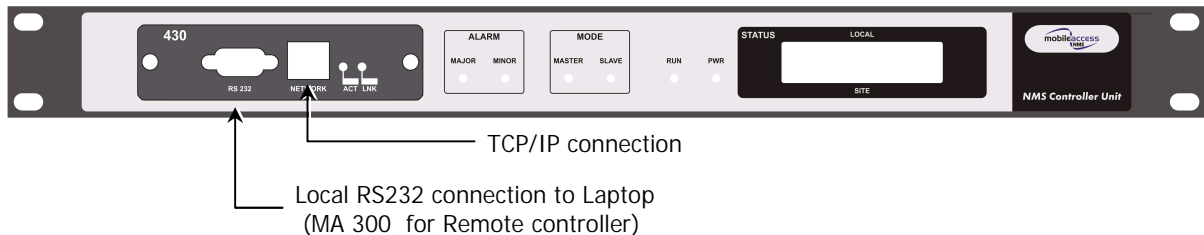


Figure 2-14. MobileAccess 430 Front Panel

Controller Rear Panel

Note: The rear panels for the MobileAccess 410 and MobileAccess 430 are the same.

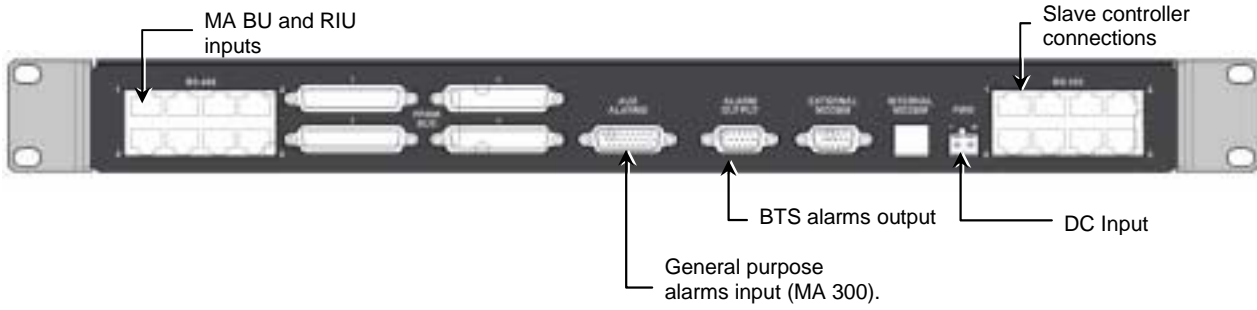


Figure 2-15. MobileAccess 410/430 Rear Panel

3 Site Preparation

3.1 Infrastructure Preparation

This following installation rules are based on the assumption that site survey and installation planning (*including power requirements*) have been completed.

3.2 Installation Requirements

The infrastructure preparation consists of two main phases:

- A. **Floor Planning:** Planning the distribution of the antennas on each floor to provide the required coverage.
- B. **Telecom Closet Planning:** Planning the layout of the devices and cables in the telecom closet or shaft. This includes the MA 850, 802.11 Access Points, cabling and other voice service distribution systems that are relevant to the specific installation.

3.3 Coaxial Cable Connections

3.3.1 General Cable Installation Procedures

Observe the general cable installation procedures that meet with the building codes in your area. The building code requires that all cabling be installed above ceiling level (where applicable). Each length of cable from the risers to each antenna must be concealed above ceiling.

The cable must be properly supported and maintained straight using tie-wraps, cable trays and clamps or hangers every 10 feet (where practical above ceiling level). Where this is not practical, the following should be observed:

- The minimum bending radius of the supplied ½" coax cable should be 7".
- Cable that is kinked or has a bending radius smaller than 7" must be replaced.
- Cable runs that span less than two floors should be secured to suitably located mechanical structures.
- The cables should be supported only from the building structure.

3.3.2 Fiber Optic Rules

- Use only single mode fiber for indoor applications.
- **Use only 8-degree SC/APC connectors (green color).**
- Use **only** fusion splice for connecting two fibers.
- Use minimum splicing/connectors to achieve minimum losses on the fibers (<0.5dB).
- Use precaution while installing, bending, or connecting fiber optic cables.
- Use an optical power meter and OTDR for checking the fiber optic cables.
- Make sure the environment is **clean** while connecting/splicing fiber optic cables.
- All fiber optic connections should be cleaned prior to attaching to termination points using a dry cleaning device (i.e. Cletop or equivalent).
- Fiber connector protective caps should be installed on all non-terminated fibers and removed just before they are terminated.
- Verify the Fiber Optic connections. You may use the Optical Test Procedure described at the end of this manual.
- Pay special attention while connecting the SC/APC connectors - you must hear the "click" when the connection is made.

3.3.3 RF Rules

- Use coax ½", 50ohm, male-to-male N-type, (6-7dB for 1Ghz, 11dB for 2Ghz) for connecting to RHU and RHU ports.
- Use coax RG223, 50ohm, male-to-male N-type for RF connections from the BUs to the BTS/RBS and to the RIU.
- When using the MobileAccess™ system in an environment in which other indoor coverage systems are installed, it is recommended (where possible) that the antennas are placed at least two meters apart
- When bending coax cables, verify that the bending radius does not exceed the coax specifications.
- Use wideband antennas supporting a range of 800Mhz to 2500Mhz
- Use a VSWR meter (i.e. Site Master or equivalent) for checking coax cables, including the antennas. (<2). The VSWR must be measured prior to terminating the RHUs in the remote communication rooms
- Terminate all unused **RHU** and **RIU** ports with a 50 ohm load

3.4 Power Consumption, Connections and Power Supplies

3.4.1 Power Safety Instructions



SAFETY WARNINGS

- When installing or selecting the power supplies:
- Be sure to disconnect all power sources before servicing.
- **Battery replacement in units** - only the MA 410/430 controller has batteries. MA 410/430 Controller lithium type battery should only be replaced by MobileAccess service personnel. **Risk of exploding if battery is replaced by an incorrect type.** Dispose of used batteries according to the instructions.
- Calculate the required power according to the requirements of the specific installation and then determine the configuration of the power supplies. The required DC cables will then be determined by the selected PS configuration.
- Use only **UL** approved power supplies
- **AC and DC power supply cables** – use only the power cords supplied with the units
- Install external over-current protective devices for the system according to the requirements described in section 3.4.3.

3.4.2 Power Consumption of Units

Table 3-1. MobileAccess™ Power Requirements

Unit Type	Voltage Input	Typical Power Consumption	Maximum Current Consumption
Remote Unit 1000	20 to 48VDC	25W	1.25A
Add-on Unit 1200	25 to 48VDC	50W	2.0A
RIU	20 to 48VDC	12W	0.6A
Base Unit	20 to 48VDC	14W	0.7A
410/430 Controller	20 to 48VDC	10W	0.5A
MA 850	20 to 48VDC	20W	1.0A

3.4.3 Circuit Breakers

Install fuse protections for the system according to the following criteria:

- The following system elements require external fuse protection: **RIUs, BUs, and 410/430 Controllers.**
- Referring to Table 3-1, calculate the required fuse protection.
- **Example:** a set of three elements consisting of a BU, RIU and MA 410/430 controller requires a 2A circuit breaker.

3.4.4 Types of Power Supplies

MobileAccess supplies various power supplies that can be installed in a rack or mounted on a wall, depending on your configuration.

Table 3-2: MobileAccess™ Power Supplies

Power Supply	
LPS-48V-40W	Local AC/DC Converter 40W
LPS-48V-100W	Local AC/DC Converter 100W
RPS-200-N-48	Non-redundant 200W 110/220V Wall Mount
RPS-500-R-48	Redundant 500W 110/220V Chassis Mount
RPS-1000-R-48	Redundant 1000W 110/220V Chassis Mount
RPS-14-50W-48	Remote power supply, 14 modules of 50W, 48V
RPS-14-100W-48	Remote power supply, 14 modules of 100W, 48V
RPS-6M-220	Remote power supply enclosure, 6 Modules, 220v in-48VDC
RPS-600W-220	Remote power supply module 600W/48VDC, 220V in
RPS-1200W-220	Remote power supply module 1200W/48VDC, 220V in

3.5 Installation Conventions

Some of the basic installation conventions are listed below for the MA 1000 system:

- **Base Units** – are usually concentrated in the same location, most often in the main communication room.
- **Remote Hub Units** usually placed in the communication shaft or closet of a corresponding floor so they can be easily located. Each RHU can typically cover a floor of up to 30,000 sq ft.
- **Fiber optic cable** - bundled fibers are terminated into the Base Units in the main communication room. The fibers are then routed to each coverage location where individual fibers terminate into splice boxes. The splice box couples the installed fiber into the remote units. Enough spare fibers should be installed to take into account future expansion of the system.

For example, for three remote units, six fibers are required. However, to allow for future upgrades, it is recommended to install additional optic fibers to be connected to additional RHUs.

The following figure illustrates fiber optic routing sufficient to cover 21 floors: each group of strands can cover three floors as illustrated below, with two strands to spare. The first group of strands covers floors 1, 2 and 3; the next group will cover floors 4, 5 and 6 through an additional splice box.

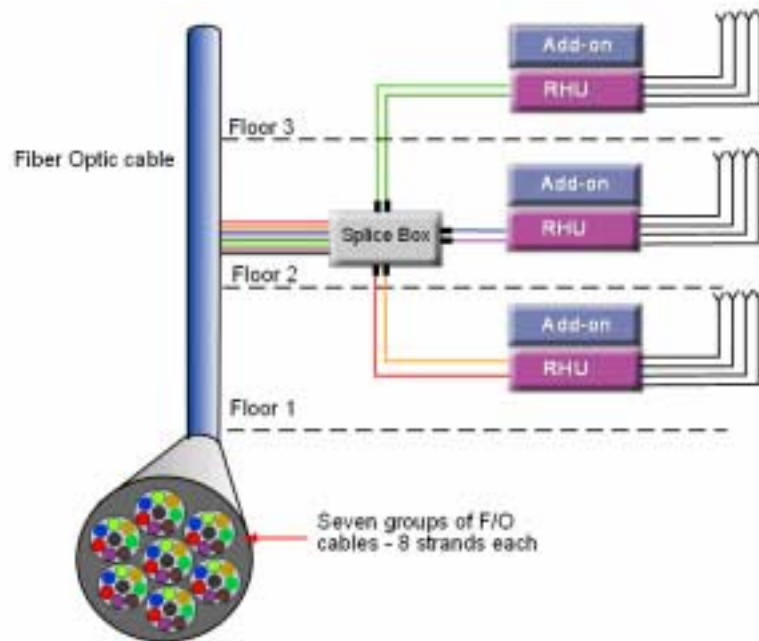


Figure 3-1. Illustration of Fiber Optic Routing

- **For remote power supply configuration** - cable bundles are routed from the main communication room and individual wire pairs are terminated into the power feed of individual units.

By providing power from a single distribution point, maintenance can be reduced and UPS backup can be easily provided. The maximum distance from the source to the termination spot is 1000 feet using 18 gauge wires.

In many locations local codes do not require power to be run through conduit if 100 watts or less is used. Please consult the regulations in your local jurisdiction prior to deploying remote power. When power cables require distances greater than 1000 feet 14 or 16 gauge wire may be used.

- **On each floor** - the antennas are connected to the RHUs using coax cables.

4 System Installation

4.1 Overview

This chapter describes how the communication room and remote locations are installed. The individual system elements are described in Chapter 2. In order to describe the installation process clearly, it will be described as consisting of two logical parts:

- A. **Telecommunications room** – installing the **RIUs, BUs, MA 410/430 controllers**, and the required *passive equipment* in the telecommunication room close to the RF signal source. This installation may differ between single and multi-building topologies.
- B. **Remote locations** – **RHU** and **Add-on** installations and connections. These are *usually* wall mounts.

The installations for two basic topologies are described in detail: for single building and for multi-building. By understanding the two generic installations you will be able to address any variations in system deployment.

NOTE: *For installations that include the MA NMS: Once the installation has been completed, it can be verified using the MCT application (NMS User's Guide) and the devices monitored using the NMS Manager (NMS User's Guide).*

4.2 Communication Room Installation

NOTE: *Usually, each operator installs the equipment that supports their services in a separate rack.*

It is recommended to install the following MobileAccess system modules in a 19" rack in the communication room

- RIU 3U
- BU 1U
- MobileAccess 410/430 controller 1U
- Fiber Optic patch panel and splice tray
- Power supply/supplies (MobileAccess – 3U for each unit; units from other manufacturers may vary in size)

4.2.1 Rack Installation General Instructions

Verify that the rack height can support all the units to be installed, where you may also want to consider future expansions.

Figure 4-1 shows the recommended physical location of the MobileAccess elements in the rack in order to facilitate and simplify the cabling *connections*. The configuration is for a single operator. If the site is serviced by more than one operator, each operator often installs their equipment in a separate rack.

NOTE: Note that the *MobileAccess 410/430 controller* is at eye level to provide an easy view of the LED indicators and LCD display and easy access to the local and remote monitoring connections.

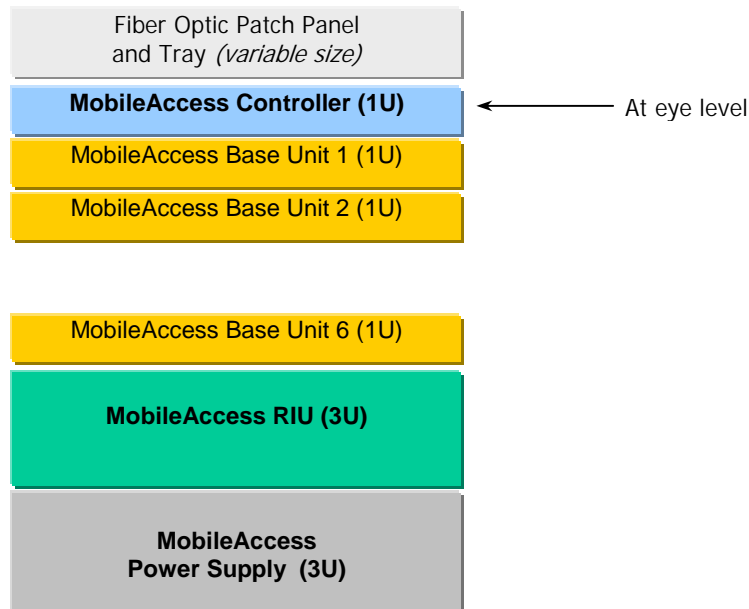


Figure 4-1: Recommended Order in the Communication Room Rack

4.2.2 Rack Installation Safety Instructions

Review the following guidelines to help ensure your safety and protect the equipment from damage during the installation.

- Only trained and qualified personnel should be allowed to install or replace this equipment.
- Verify that ambient temperature of the environment does not exceed 50°C (122°F)
- To maintain a low center of gravity, ensure that heavier equipment is installed near the bottom of the rack and load the rack from the bottom to the top.

- Ensure that adequate airflow and ventilation within the rack and around the installed components so that the safety of the equipment is not compromised. It is recommended to allow for at least about 2 cm of airspace between devices in the rack.
- Verify that the equipment is grounded as required – especially the supply connections.

4.2.3 Single Building Rack Installation

This section provides an example of a single building **main communication room** installation for a 24-floor building with Cellular and PCS coverage.

Since there are 24 floors, then 24 MA RHUs are required – one for each floor. In addition, the following equipment will be installed in the main communication room:

- Three BUs – to support 24 RHUS
- One MA 430 controller for monitoring
- One RIU with Cellular and PCS BTSCs – to interface to the BTS/BDA

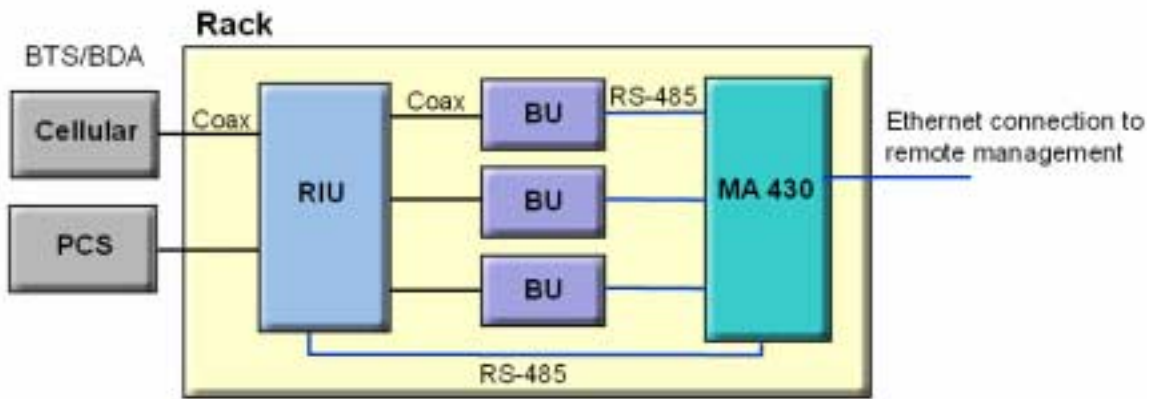


Figure 4-2. Example of Single-building Topology Communication Room Installation

4.2.4 Multi-Building Rack Installation

Figure 4-3 provides an example of a multi-building solution which distributes two bands over a main site and two remote sites. Each site consists of an **8-floor** building, requiring 8 RHUS per building (one on each floor).

The following equipment is required in the main communication room of each building:

- One BU – each BU distributes a high-band and low-band signal from a dedicated operator to eight RHUs (housed in eight separate RCs – one on each floor).
- One MA 430 controller configured as Master in the Main building, and two MA 410 controllers configured as slaves in the Remote buildings.
- MA 300 Main in the main building, and MA 300 Slave in each of the remote buildings.

The MA 300 units extend the RF signal from the Main to the Remote buildings over a single strand of fiber. Uplink and downlink signal are placed on the single fiber at 1310 and 1550 respectively.

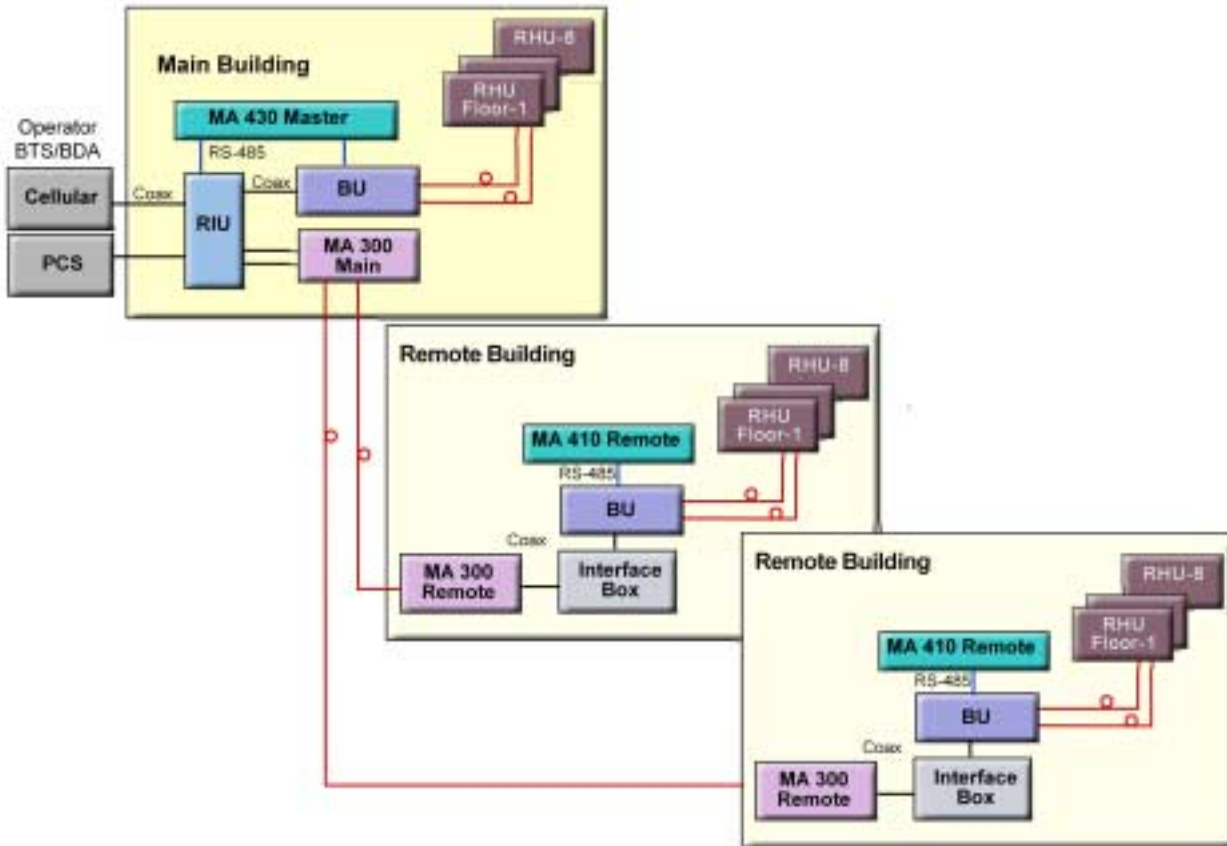


Figure 4-3. Example of Multi-building Topology Communication Room Installation

4.2.5 RIU Connections

4.2.5.1 Basic Connections

1. Connect each **BU** to the corresponding RF **Uplink** and **Downlink** connectors on the **RIU rear panel**. Note that *one uplink* and *one downlink* RIU rear-panel ports are used to connect *one OPTM* (four ports from the BU); two uplink and two downlink ports are used to connect an 8-port BU (two OPTMs).

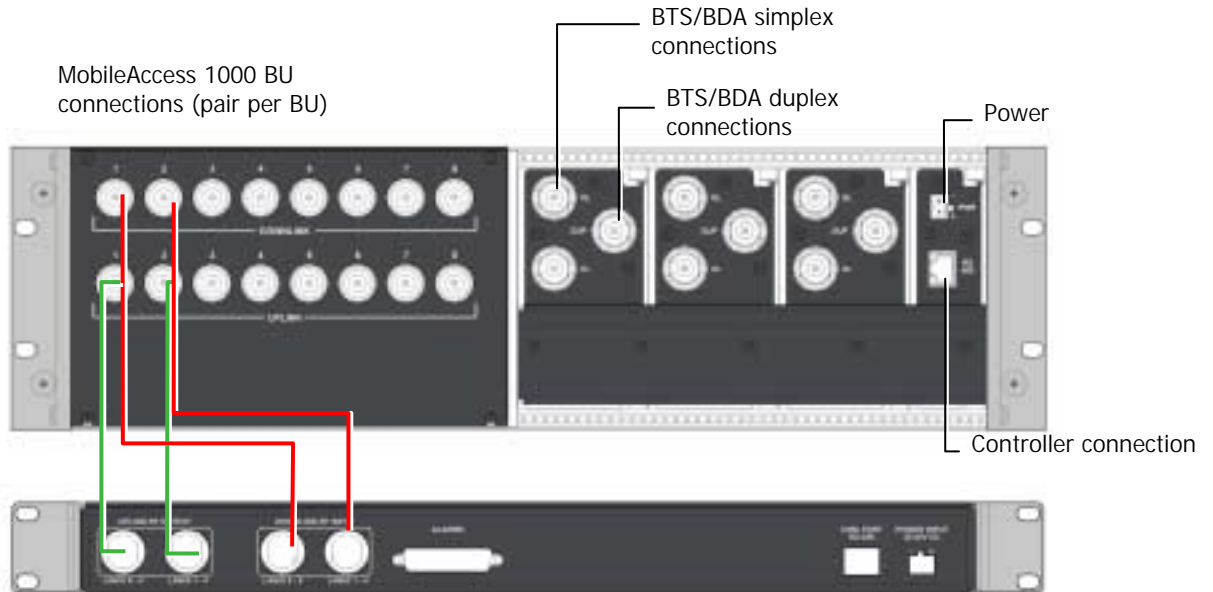


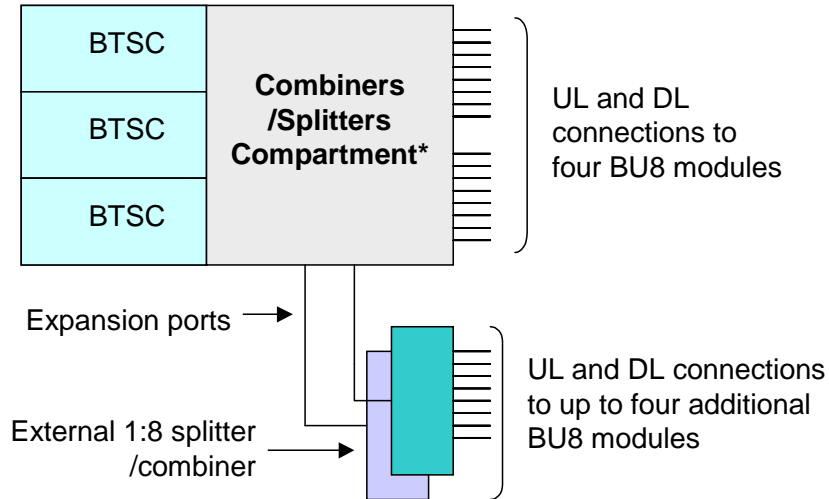
Figure 4-4. RIU Rear Panel showing the RF Connection

NOTE: Up to four 8-port BU may be connected. Additional BUs may be connected through the **Extension** connector on the front panel. Refer to the following section for instructions on how to connect to additional BUs.

2. Connect each BTS/BDA to the corresponding rear panel **BTSC** connectors. For each BTSC connection, both simplex and duplex connections are available:
 - For a duplex connection, connect to the BTSC **DUP** port;
 - For a simplex connection, connect to the BTSC **UL** and **DL** ports;
3. Connect the **Power** connections on the RIU rear panel.
4. If your system includes a MA 410/430 controller, connect the **RS485** port on the RIU rear panel to the controller.

4.2.5.2 Connections to Additional BUs

To connect more than four 8-port BUs or more than eight 4-port BUs to the RIU, Connect an 8W splitter to the **Downlink** connector on the RIU front panel and an 8W combiner to the **Uplink** connector on the RIU front panel and connect additional BUs to the uplink and downlink connections.



4.2.6 BU Connections

NOTE: It is assumed that the patch panel cabinet (SC/APC adaptors) for fiber optic cable connections is installed in the rack near the BUs.

1. Connect (3/125/900) pigtail with SC/APC connectors between **splice tray** and **patch panel** cabinet.
2. Connect (3/125/3000) SC/APC jumpers between the corresponding **BU** and **patch panel**.
3. Connect the fiber optic cables from the **BU** to the **RHUs** through the patch panel cabinet.
4. Connect the **UL RF** Output and **DL RF** Input connectors to the RIU or UL and DL connectors or to the passive interface (such as Interface Box) in topologies that do not include RIUs.

4.2.7 Controller Connections

Refer to the MobileAccess *NMS 410/430 Installation and Configuration Guide* for connections.

4.3 Remote Site Installation

4.3.1 RHU 1000 Installation

Mount and install each RHU on the wall in the communication shaft or communication room.

4.3.1.1 Wall Mount

RHU 1000 is usually mounted on a wall in a clean indoor environment – **RF ports facing down**.

Assembly instructions

1. Place the unit against the wall and mark the four holes to be drilled in the wall.
2. Drill four holes 8mm in diameter and insert the appropriate sized plastic plugs in each hole.
3. Secure the RHU 1000 to the wall using four screws, 4.5mm diameter, 40 mm long.

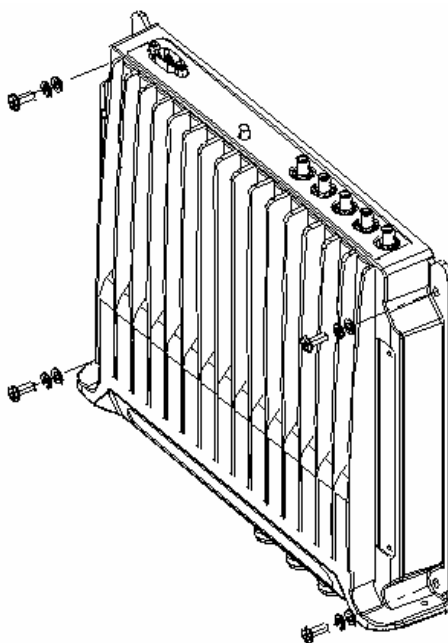


Figure 4-5. RHU 1000 Wall Mount

4.3.1.2 Connections

***NOTE:** Keep in mind the rules for handling and connecting F/O cables. The F/O cables will be connected to the associated BU in the communication room at a later phase.*

1. Connect fiber optic cable to splice box and to SC/APC pigtails to RHU
2. For the **downlink**, connect the fiber optic cable pigtails from splice box coming from the **BU** port to the corresponding **RHU** port.
3. Connect the **RHU** to **antennas** according to the RF engineers design (up to 4 antennas per RHU).
4. For the **uplink**, connect the fiber optic cable pigtails from splice box from the **RHU** to the **uplink port** that connects to the **BU**.
5. Connect the **power** to each RHU according to power design planning.
6. Verify that 50 ohm terminators are placed on the unused uplink and downlink connectors.

4.3.2 MA 1200 Add-on Installation

4.3.2.1 Assembly and Connections

Refer to Figure 4-6.

ATTENTION

To prevent damaging the SMA connectors,
be sure to tighten using a torque of 8lb.

1. Position the supplied bracket on the RHU 1000 and secure the **bracket** to the **RHU 1000** using the four supplied **6-32 NC** screws.
2. Position the RHU 1200 unit on the bracket and secure the **RHU 1200** to the **bracket** using the four supplied **8-32** screws.
3. **Interconnect** the RHU 1000 and RHU 1200 SMA **Uplink, Downlink** and **High** connectors on the rear panels of both units using the **three straight** jumpers.
4. **Interconnect** the RHU 1000 and RHU 1200 **D-type 9-pin** connectors on the rear panels of both units using the supplied flat-cable.
5. Connect the power to the RHU 1200 front-panel **DC** connector.

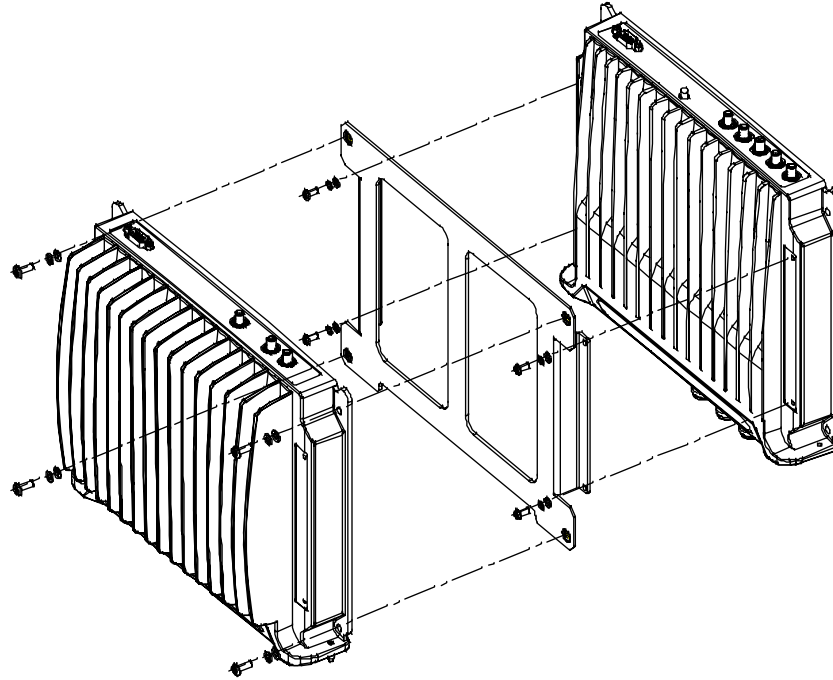


Figure 4-6. RHU 1200 to RHU 1000 Assembly

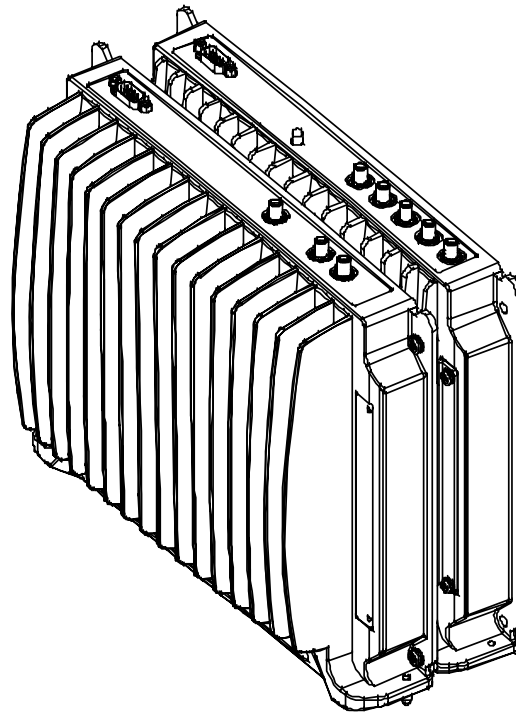


Figure 4-7. RHU 1200 to RHU 1000 Completed Assembly

4.3.3 Antenna Connections

- For systems *without* MA 850 modules - connect the antenna connections to the RHU antenna ports;
- For systems with MA 850 modules - refer to the *MA 850 Installation and Configuration Guide* and connect the antenna ports to the MA 850.

5 Appendix I: Optical Test Procedures

5.1 General

Two parameters are of prime importance when testing optical cables or jumpers for use with Mobile Access products:

- **Optical Loss** – the difference between the optical power at the input and output of an optical cable. It must be measured (usually in dB units) at 1310 nm. The maximum allowable loss should be < 0.5 dB/km for Single Mode (SM) cables and < 0.5 dB for every mated pair of connectors.
- **Optical Backreflection** – the percentage of light backreflected from the fiber input (dB units). The maximum allowable backreflection should be < –55 dB for all jumper cables.

The methods to test these parameters will be described below.

5.2 Optical Loss Testing

This section describes the **optical loss** testing of a Single Mode Cable with SC/APC connectors at each end.

5.2.1 Required Test Equipment

- 1310 nm Stabilized Laser Source
- 1310 nm Optical Power Meter
- Two Fiber Optic Test Jumpers with SC/APC connectors at each end
- Two SC/APC Adapters

5.2.2 Test Procedure

1. Set up the Laser Source, Optical Power Meter, and Test Jumper as shown below.

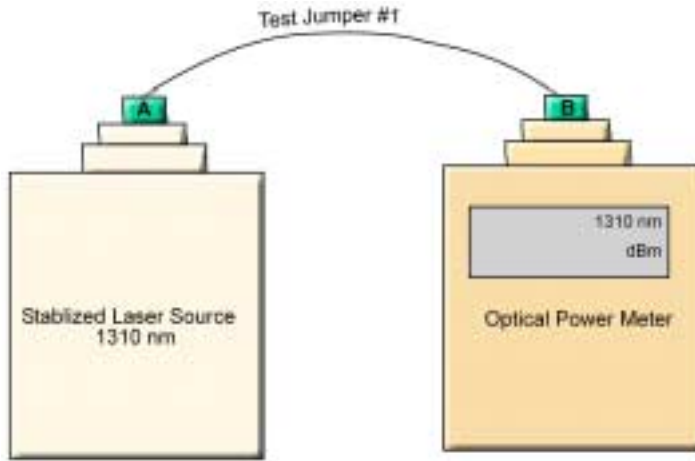


Figure 5-1. Set Up

2. Record reading as **P1** in dBm units.
3. Serially connect the second Test Jumper as shown below.

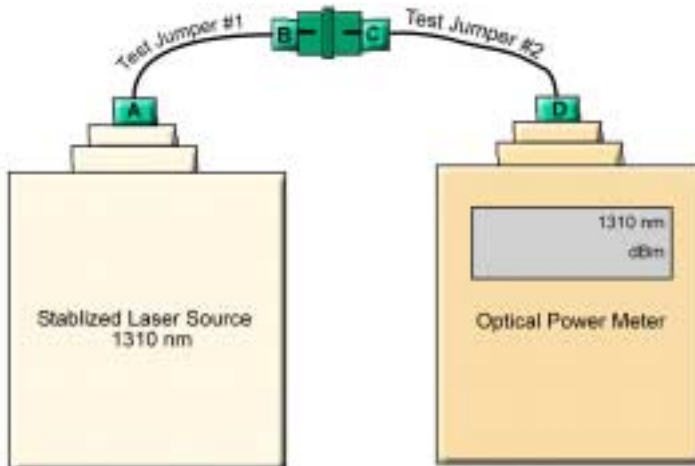


Figure 5-2. Serial Connection of Second Jumper

4. Record the Power Meter Reading as **P2** in dBm units.
5. Calculate Loss **L12** according to the equation: $L12 = P1 - P2$
6. If **L12** is lower than 0.5 dB continue to Step-7; otherwise replace these test cables and repeat from Step-1.

7. Disconnect connectors **B** and **C**. Connect the **Cable Under Test (CUT)** between connector **B** and **C** as shown below.

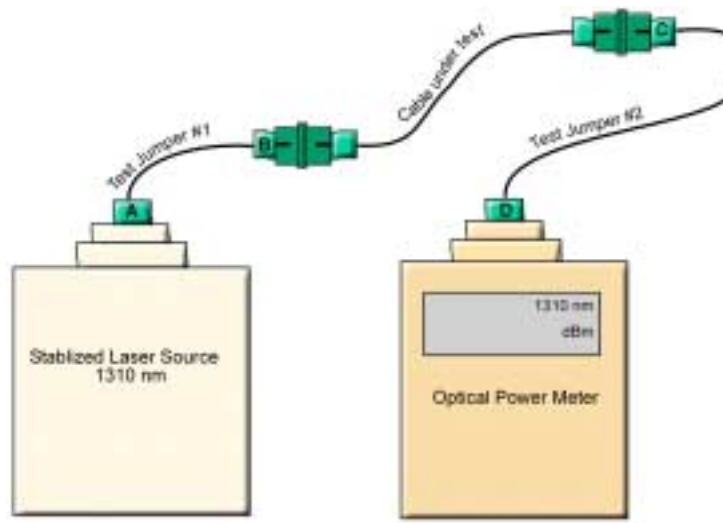


Figure 5-3. Connecting CUT

8. Record Power Meter reading as **Pcut** in dBm units.
9. Calculate Cable Loss **Lcut** from the equation $L_{cut} = P_2 - P_{cut}$.
10. The maximum allowable loss should be < 0.5 dB/km for SM cables and < 0.5 dB for every mated pair of connectors.

5.2.3 Example

Testing a 50 meter cable with SC/APC connectors at each end.

- $P_1 = -1$ dBm
- $P_2 = -1.5$ dBm
- $L_{12} = P_1 - P_2 = -1$ dBm - $(-1.5) = 0.5$ dB

Conclusion: the test cables are of sufficient quality to continue testing.

- $P_{cut} = -2$ dBm
- $L_{cut} = P_2 - P_{cut} = -1.5$ dBm - $(-2$ dBm) = 0.5 dB

This is acceptable since a mated connector pair was added along with the CUT and a loss of -0.5 dB is allowed for every mated pair of connectors.

- 11.

5.3 Optical Back-reflection Testing

This section describes the **optical back-reflection** testing of SM SC/APC connectors at each end of an optical cable.

5.3.1 Required Test Equipment

1. Adjustable 1310 nm Stabilized Laser Source with output power greater than 7dBm.
2. 1310 nm Optical Power Meter with a measurement range of up to -70 dBm.
3. One low loss Singlemode 1310 nm 2x2 50%/50% Fiber Optic Coupler with SC/APC connectors at all four fiber pigtailed ports. Pigtail length should be 50 cm.
4. One SC/APC Adapter

5.3.2 Test Procedure

1. Refer to the following figure for port definitions of the Fiber Optic Coupler. The coupler is symmetrical but for our purposes, each port should be identified as shown in Figure 1-4.



Figure 5-4. Port Identification

2. Measure the loss from port **I1** to **O1** according to the insertion loss method described in the previous section. This loss will be referred to as **LI1O1**. It should be approximately 3.5 dB.
3. Measure the loss from port **O1** to **I2** in a similar manner. This loss will be referred to as **LO1I2**. It should also be approximately 3.5 dB.
4. Calculate Total Loss, **TL** where $TL = LI1O1 + LO1I2$. **TL** should be approximately 7dB.
5. Adjust the laser output power in dBm to the same value as **TL**.
For example, if $TL = 7dB$, adjust the laser output to 7 dBm.

6. Connect the laser to port **I1** of the coupler as shown in Figure 5-5.

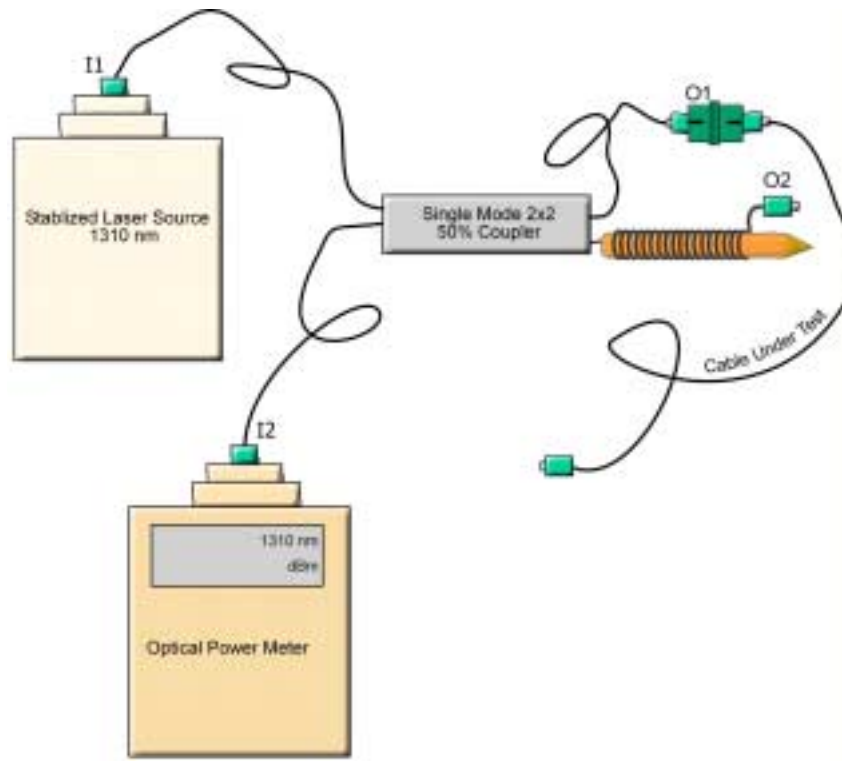


Figure 5-5. Test Procedure Connections

7. Connect the Power Meter to port I2 of the coupler as shown in Figure 5-5.
8. Wrap the **O2** pigtail around a pencil of diameter 7 to 8 mm as illustrated.
9. The power meter readings should be < -58 dBm; otherwise, clean connector **O1** and measure again.
10. Connect the cable under test to connector O1.
11. Record Power Meter Reading as Backreflection, **BRcut**, of the cable under test. The power is measured in dBm units. This is the same value as the backreflection.

For example, if the power meter shows -58 dBm, the backreflection is -58 dB. The maximum backreflection from the SC/APC connectors should be < -57 dB.

Long cables will have a higher BR since the cable itself reflects a small amount of light. This small amount can grow to a considerable amount over a long length of fiber. To factor out this cable backreflection, perform a mandrel wrap on the cable adjacent to the connector under test and perform all measurements with the mandrel wrap.