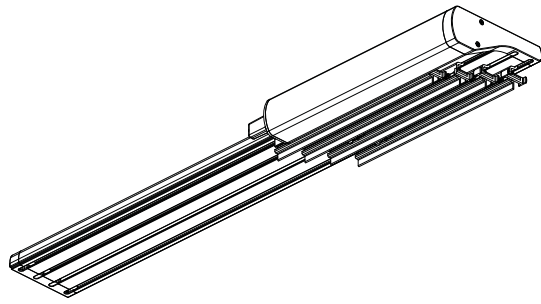


User Manual

Absolute Control

Panel motor ABC-04



coulisse

WARNING: Important safety instructions. Follow all instructions, since incorrect installation can lead to severe injury.

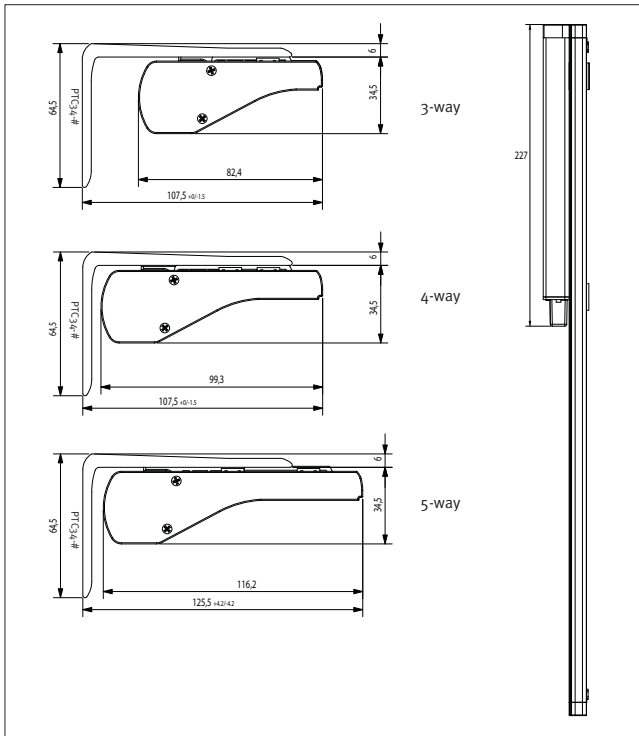
WARNING: Do not make repairs yourself. Do not attempt to open the device or disassemble it. You run the risk of electric shock and voiding the limited warranty. No user-serviceable parts are inside.



1. General information

The ABC-04 is a complete kit to motorize Panel Absolute systems. The kit fits on 3, 4 and 5 track rails. The motorunit is always situated on the left side of the system. The motorunit is operated with a Coulisse remote control only. The software in the motorunit is selflearning and detects its endpoint automatically.

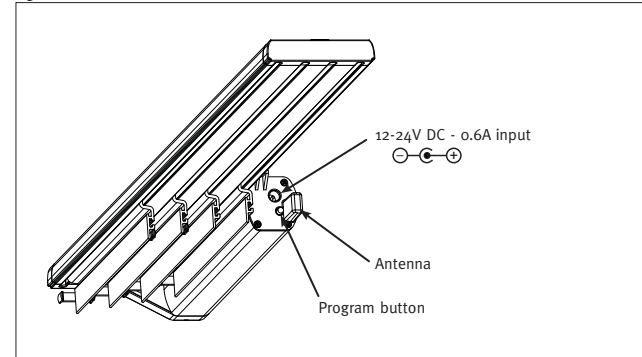
1.1 General dimensions



1.2 Performances

| ABC-04 | |
|-----------------------|------------------|
| Powersupply | 12-24V DC - 0.6A |
| Rated power | 7 W |
| Chain speed | 3,75 mtr/min |
| Max. pullingforce | 3 kg |
| Operating temperature | 5 - 60°C |
| Max. channels to pair | 32 channels |

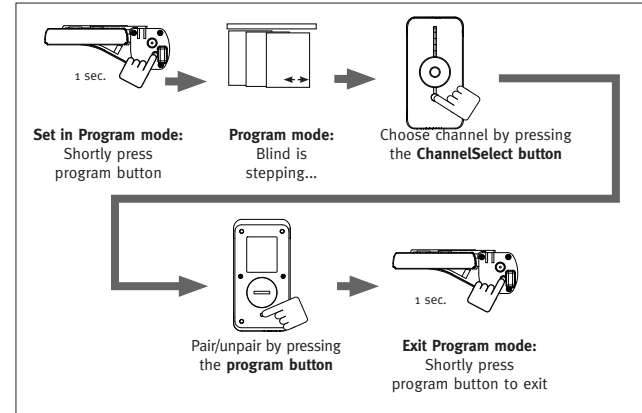
1.3 Connectors and buttons



2. Programming and operating

2.1 Programming

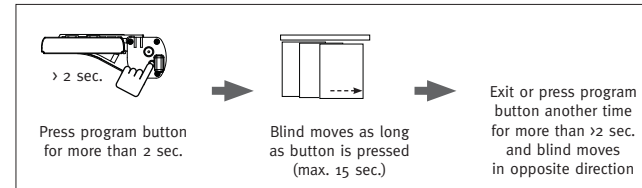
- **Pair to a channel/remote** (also possible by using SingleSelect, see manual Remote control*)



2.2 Operating

- **Control by remote** (see manual Remote control)

- **Manual Control**



2.3 Additional blind settings

| Additional blind settings: | Available |
|----------------------------|-----------|
| Switch rotation direction | Yes |
| Favorite position | Yes |
| BatteryMode | Yes |

We refer to the manual of the Coulisse Remote control to set the additional blind settings.

Disclaimer:

© Copyright Coulisse

All rights reserved. No part of this publication may be reproduced, stored in a retrieval system, or transmitted, in any form, by any means, electronic, mechanical, photocopying, recording, digital or otherwise without the written permission of the publisher. Although this manual has been composed with the most care, Coulisse B.V. does not accept any responsibility for damage due to mistakes and/or faults in this manual.

Coulisse B.V. reserves the right to revise the manual and to revise and/or changes its content at any time, without obligation to notify any person or entity of such revisions or changes.

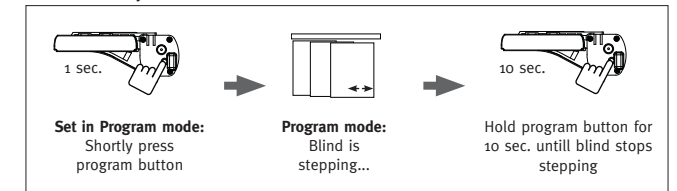
The most recent version replaces older versions of this manual. The most recent version is available at www.coulisse.nl or contact your Coulisse contact person.

We invite you to send remarks and comments about this manual to Coulisse at manuals@coulisse.nl.

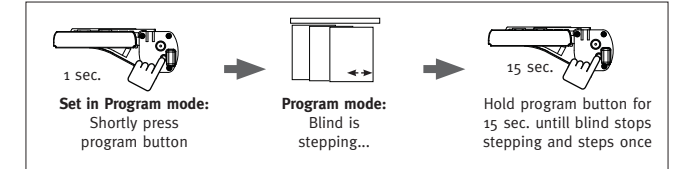
2.4 Reset & initialisation

New motors can be initialized directly without resetting.

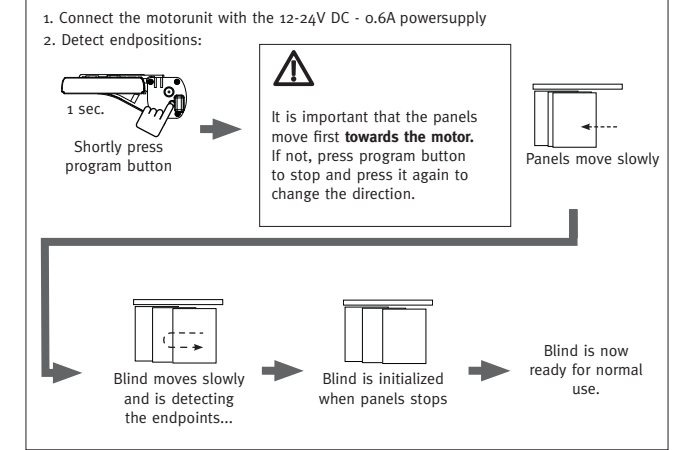
- **Reset to factory defaults**



- **Reset to factory defaults & Erase all paired channels/remotes**



- **Initialisation (only possible after reset)**



3. Tips & Troubleshooting

Please check www.coulisse.nl for the latest tips and troubleshooting guide.

4. Safety & Cleaning

4.1 Safety

WARNING: Do not make repairs yourself. Do not attempt to open the device or disassemble it. You run the risk of electric shock and voiding the limited warranty. No user-serviceable parts are inside.

- Do not let children play with the blind and/or remote control.
- Only use powersupplies or batteries that comply with the specifications on the motor.
- In case of malfunction, unplug the device or remove the batteries and contact your dealer.
- Take care that the blind can move freely and is not blocked by objects.
- Take care that the powersupply cable is out of reach for children.
- Do not paint the device.
- Keep the device dry.

4.2 Cleaning

Follow these general rules when cleaning the outside of the device and its components:

- Make sure the device is unplugged.
- Use a damp, soft, lint-free cloth. Avoid getting moisture in openings.
- Don't use aerosol sprays, solvents, alcohol, or abrasives.

5. Service & Support

WARNING: Do not make repairs yourself. Do not attempt to open the device or disassemble it. You run the risk of electric shock and voiding the limited warranty. No user-serviceable parts are inside.

Online Resources

For the latest information and updated manuals go to www.coulisse.nl.

Obtaining Warranty Service

First follow the advice in this booklet and then go to your local dealer. If the product appears to be damaged or does not function properly, go to your local dealer for instructions on how to obtain warranty service.

coulisse

Coulisse B.V., Vonderweg 48, 7468 DC Enter, The Netherlands

FCC Manual

This device complies with Part 15 of the FCC Rules.
Operation is subject to the following two conditions:
(1) this device may not cause harmful interference, and
(2) this device must accept any interference received,
including interference that may cause undesired operation.

FCC ID: ZY4ABCo4

FCC Warning Messages:

This device and its antenna(s) must not be co-located or operation in conjunction with any other antenna or transmitter.

coulisse

Regulatory information

1 FCC Information to User

This product does not contain any user serviceable components and is to be used with approved antennas only. Any product changes or modifications will invalidate all applicable regulatory certifications and approvals.

2 FCC Guidelines for Human Exposure

Warning:

In order to comply with RF exposure limits, the user is advised to maintain a distance of at least 20 cm from the antenna structure of this device while it is in use.

3 FCC Electronic Emission Notices

This device complies with part 15 of the FCC Rules.

Operation is subject to the following two conditions:

1. This device may not cause harmful interference
2. This device must accept any interference received, including interference that may cause undesired operation.

4 FCC Radio Frequency Interference statement

This equipment has been tested and found to comply with the limits for a class B digital device, pursuant to Part 15 of the FCC Rules. These limits are designed to provide reasonable protection against harmful interference when the equipment is operated in a commercial environment. This equipment generates, uses and can radiate radio frequency energy and, if not installed and used in accordance with the instructions, may cause harmful interference to radio communications.

Operation of this equipment in a residential area may cause harmful interference, in which case the user

will be required to correct the interference at his own expense.

If this equipment does cause harmful interference to radio or television reception, which can be determined by turning the equipment off and on, the user is encouraged to try to correct the interference by one or more of the following measures:

- Reorient or relocate the receiving antenna
- Increase the separation between the equipment and receiver
- Connect the equipment into an outlet on a circuit different from that to which the receiver is connected
- Consult the dealer or an experienced radio/TV technician for help