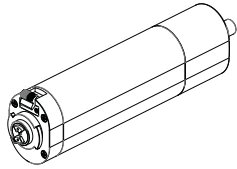


User manual Curtain Motor ABC-23-W120



coulisse

WARNING: Important safety instructions. Follow all instructions, since incorrect installation can lead to severe injury.

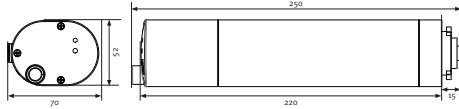
WARNING: Do not make repairs yourself. Do not attempt to open the device or disassemble it. You run the risk of electric shock and voiding the limited warranty. No user-serviceable parts are inside.



1. General information

The ABC-23 is a curtain motor to motorize curtain tracks. The motor can be operated with a coulisse remote control or manually by pulling on the curtain. Limits and favorite position are set with the remote control.

1.1 General dimensions



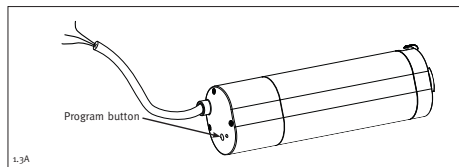
1.2 Performances

Type	Power Supply	Rated Power	Torque-Speed	Curtain weight
ABC-23-W	230V AC 50Hz	0.23A - 45W	0,8Nm, 20 cm/s	50kg
ABC-23-W120	120V AC 60Hz	0.46A - 45W	0,8Nm, 24 cm/s	50kg

Type	Max operating time	Operating temp.	Max. channels to pair	Deg. of protection
ABC-23-W & W(120)	4 min.	5 - 60°	32 channels	IP20

1.2A

1.3 Connectors and buttons



1.3A

Mains cable	230V	120V
Neutral	Blue	White
Phase	Brown	Black
Ground	Yellow-green	Green

1.3B



IMPORTANT: When the mains cable is permanently connected, a readily accessible disconnect device shall be incorporated external to the motor.

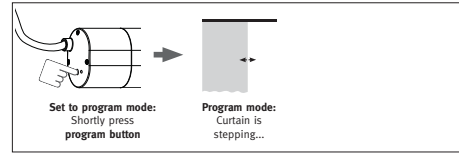
When there is a pluggable connector installed on the mains cable, the socket-outlet shall be installed near the motor and shall be easily accessible.

2. Programming and operating

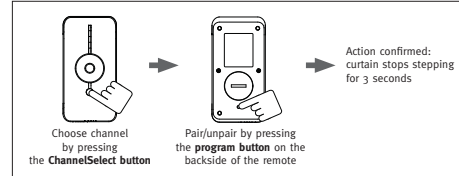
2.1 First use

Step 1: Connect the motor with the powersupply

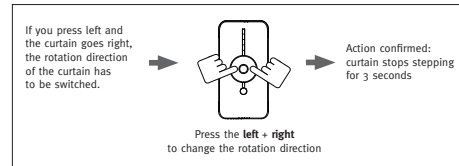
Step 2: Set the curtain in program-mode by pushing the **program button** (also possible by using 'SingleSelect', see manual remote control*)



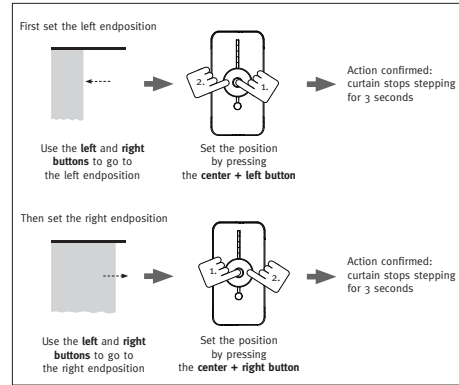
Step 3: Pair the curtain to a channel/remote



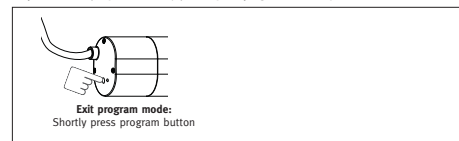
Step 4: Switch the rotating direction



Step 5: Set endpositions



Step 6: Exit the program-mode by pressing the **program button** again

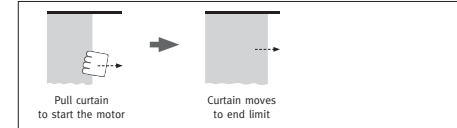


*Manuals are also available on our website www.coulisse.com

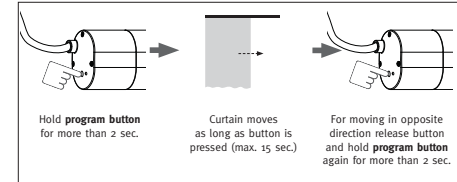
2.2 Operating

- **Control by remote** (see manual remote control)

- **Manual Control** (by pulling)

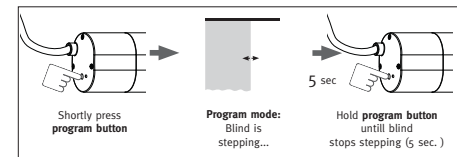


- **Manual Control** (by button)



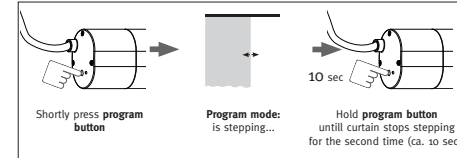
2.3 Direct take over

From factory default 'Direct take over' is activated. A motor will take over the command directly and runs to its endlimit. Switch this function off when it is recommended that the motor must move in small steps.

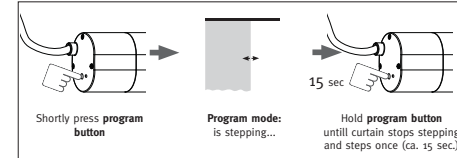


2.4 Reset

- **Reset to factory defaults**



- **Reset to factory defaults & Erase all paired channels/remotes**



2.5 Additional curtain settings

Additional curtain settings:	Available
Switch rotation direction	Yes
Favorite position	Yes
Domotica Box	Yes

We refer to the manual of the Coulisse Remote control to set the additional curtain settings.

Disclaimer:

© Copyright Coulisse
All rights reserved. No part of this publication may be reproduced, stored in a retrieval system, or transmitted, in any form, by any means, electronic, mechanical, photocopying, recording, digital or otherwise without the written permission of the publisher.
Although this manual has been composed with the most care, Coulisse B.V. does not accept any responsibility for damage due to mistakes and/or facts in this manual. Coulisse B.V. reserves the right to revise the manual and to revise and/or change its content at any time, without obligation to notify any person or entity of such revisions or changes.
The most recent version replaces older versions of this manual. The most recent version is available at www.coulisse.com or contact your Coulisse contact person. We invite you to send remarks and comments about this manual to manual@coulisse.com.

3. Tips & Troubleshooting

Please check www.coulisse.com for the latest tips and troubleshooting guide.

4. Safety & Cleaning

4.1 Safety

WARNING: Do not make repairs yourself. Do not attempt to open the device or disassemble it. You run the risk of electric shock and voiding the limited warranty. No user-serviceable parts are inside.

- Do not let children play with the curtain and/or remote control.
- Only use powersupplies or batteries that comply with the specifications on the motor.
- In case of malfunction, unplug the device or remove the batteries and contact your dealer.
- Take care that the curtain can move freely and is not blocked by objects.
- Take care that the powersupply cable is out of reach for children.
- Do not paint the device.
- Keep the device dry.

4.2 Cleaning

Follow these general rules when cleaning the outside of the device and its components:

- Make sure the device is unplugged.
- Use a damp, soft, lint-free cloth. Avoid getting moisture in openings.
- Don't use aerosol sprays, solvents, alcohol, or abrasives.

5. Service & Support

WARNING: Do not make repairs yourself. Do not attempt to open the device or disassemble it. You run the risk of electric shock and voiding the limited warranty. No user-serviceable parts are inside.

Online Resources

For the latest information and updated manuals go to www.coulisse.com.

Obtaining Warranty Service

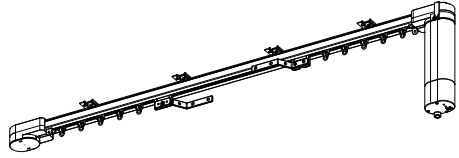
First follow the advice in this booklet and then go to your local dealer.

If the product appears to be damaged or does not function properly, go to your local dealer for instructions on how to obtain warranty service.

coulisse

Coulisse B.V., Vonderweg 48, 7468 DC Enter, The Netherlands

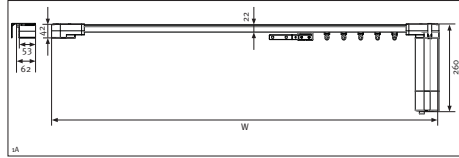
Assembly Manual
Absolute Control
Curtain Motor ABC-23-W120



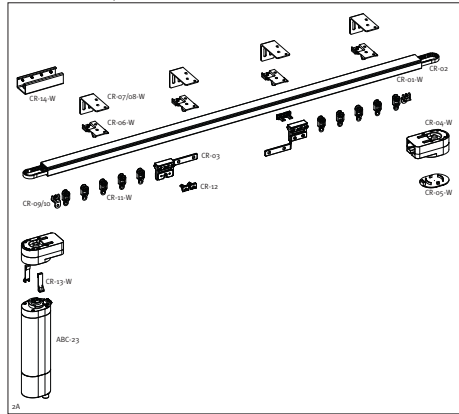
coulisse

1. Calculations

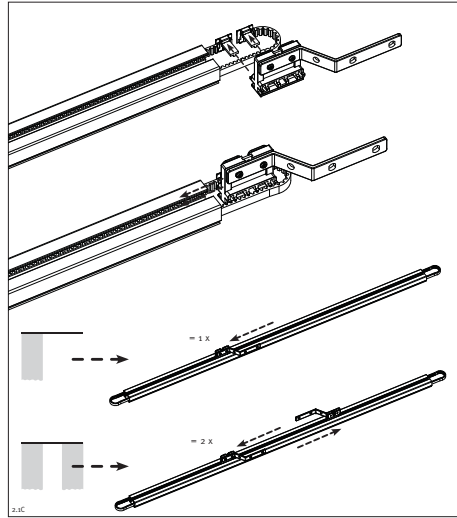
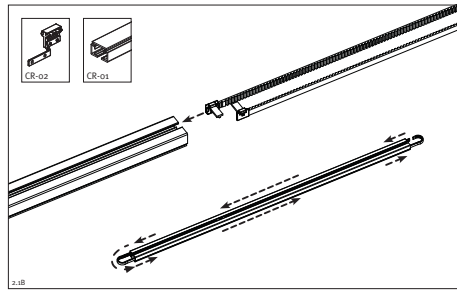
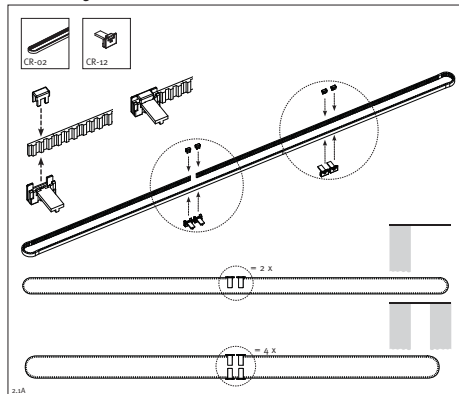
Rail length (CR-01-W) = Width - 150mm
Belt length (CR-02) = 2 x Width - 50mm
Number of runners (CR-11-W) = +/- 8pcs/mtr
Ceiling brackets = (CR06-W) = 1pc/mtr



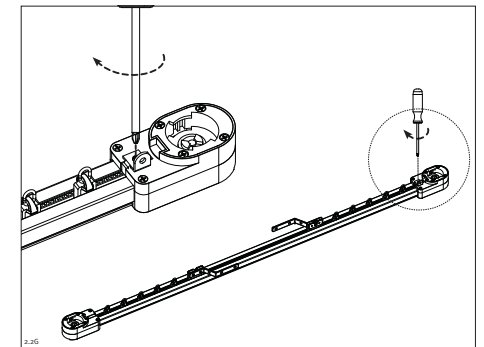
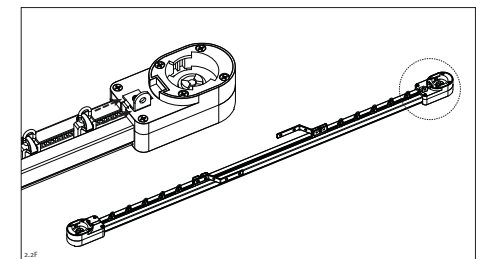
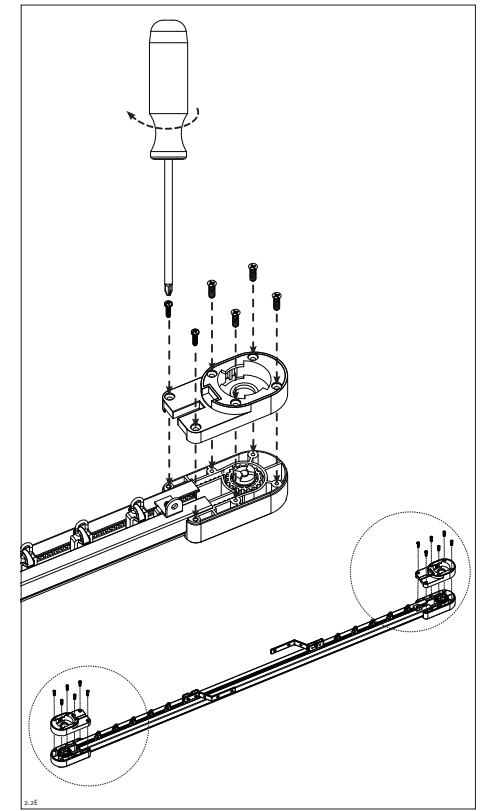
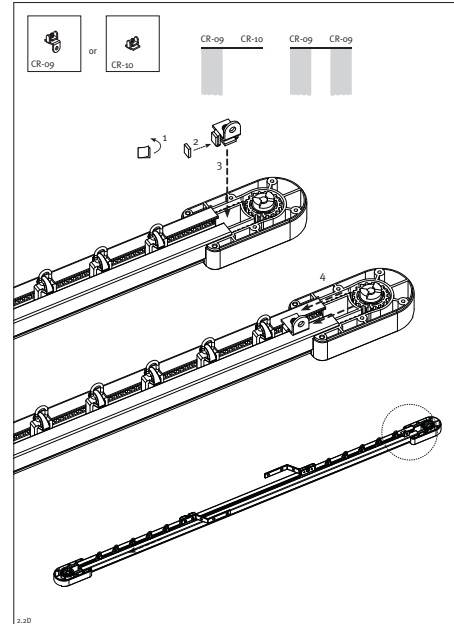
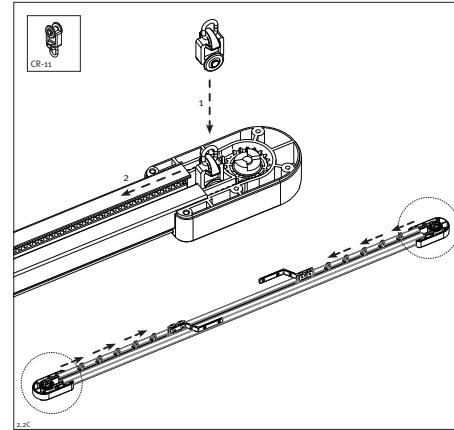
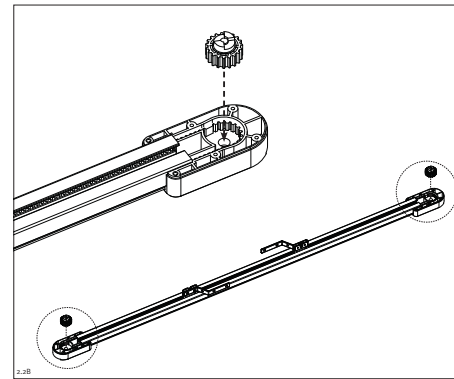
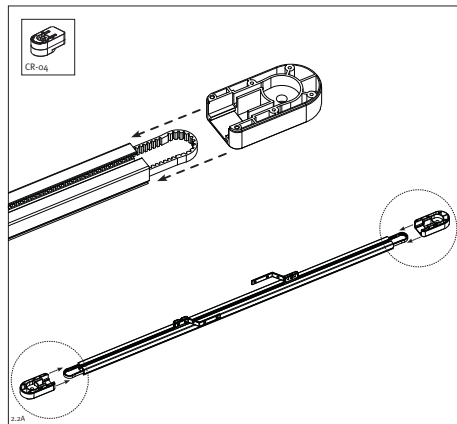
2. Assembly

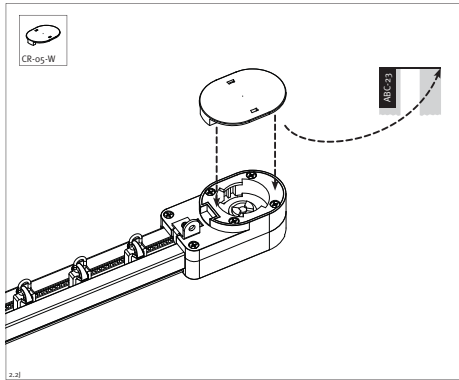
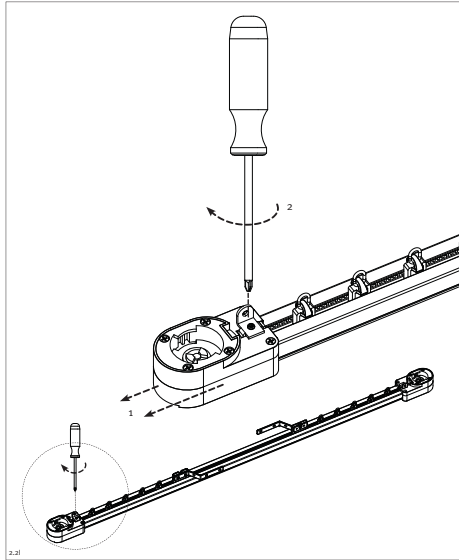
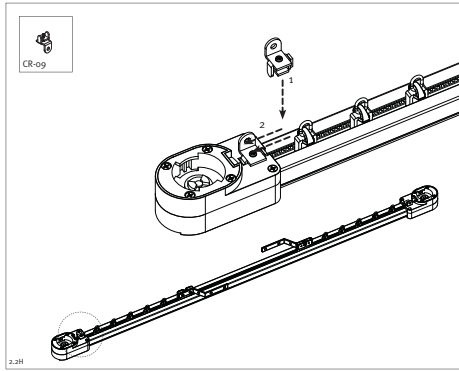


2.1 Assembling Belt

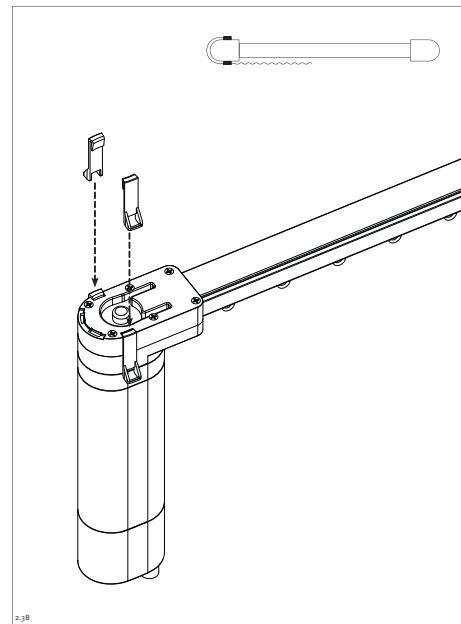
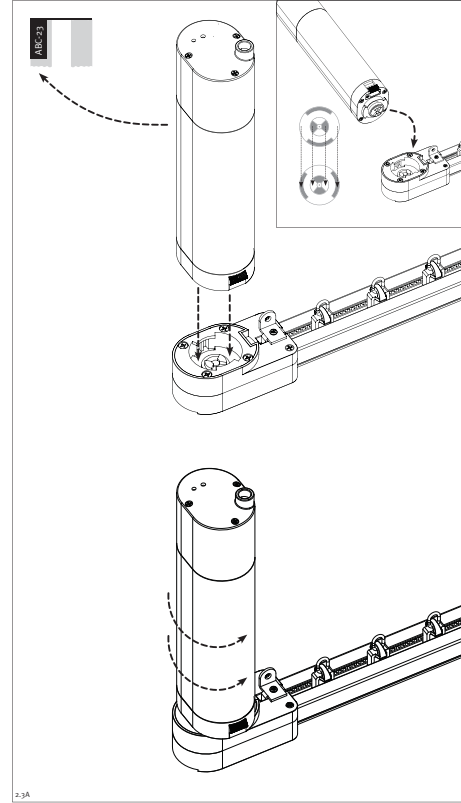


2.2 Assembling Endcaps

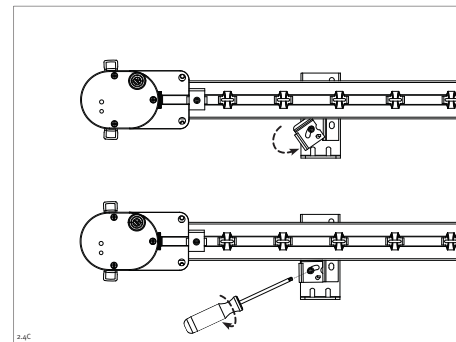
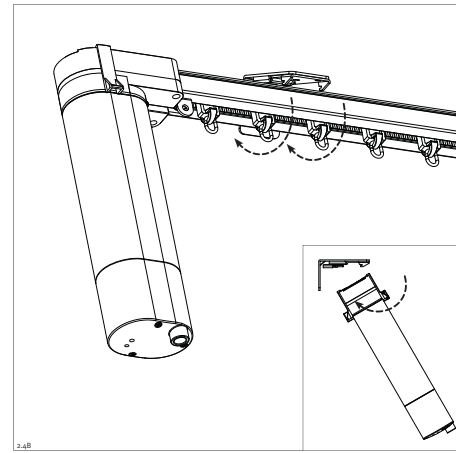
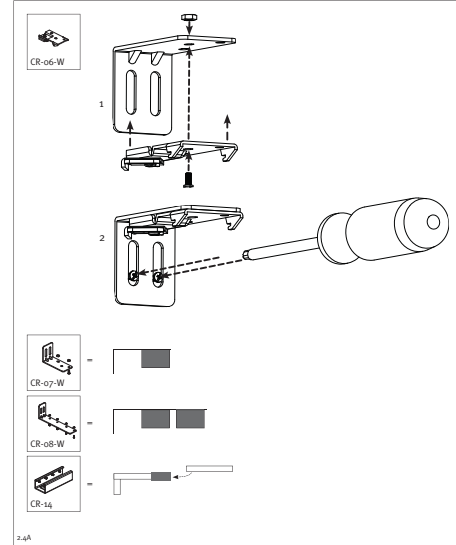




2.3 Assemble motor



2.4 Installation bracket



NOTICE: This device complies with Part 15 of the FCC Rules. Operation is subject to the following two conditions: (1) this device may not cause harmful interference, and (2) this device must accept any interference received, including interference that may cause undesired operation.

Changes or modifications made to this equipment not expressly approved by Shape Technology (Shenzhen) Co., Ltd may void the FCC authorization to operate this equipment. This equipment has been tested and found to comply with the limits for a Class B digital device, pursuant to Part 15 of the FCC Rules. These limits are designed to provide reasonable protection against harmful interference in a residential installation. This equipment generates, uses and can radiate radio frequency energy and, if not installed and used in accordance with the instructions, may cause harmful interference to radio communications. However, there is no guarantee that interference will not occur in a particular installation. If this equipment does cause harmful interference to radio or television reception, which can be determined by turning the equipment off and on, the user is encouraged to try to correct the interference by one or more of the following measures:

- Reorient or relocate the receiving antenna.
- Increase the separation between the equipment and receiver.
- Connect the equipment into an outlet on a circuit different from that to which the receiver is connected.
- Consult the dealer or an experienced radio/TV technician for help.