



## *Fireplace Furnace*

The “smart” fireplace for total home heating.



# Country Flame<sup>®</sup>

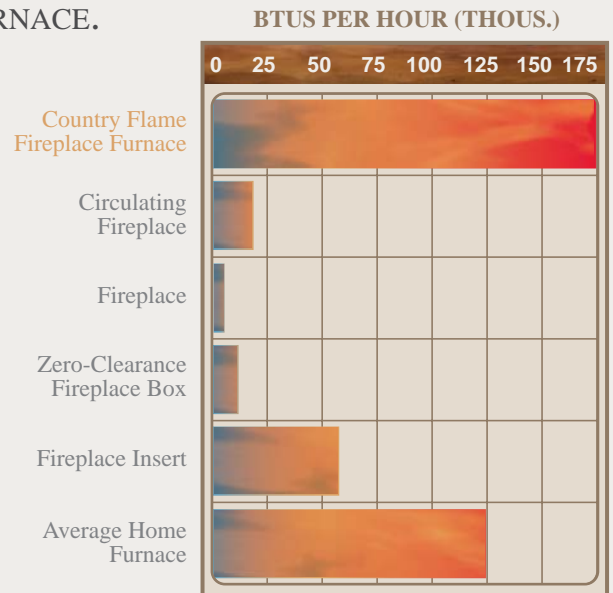
*by American Energy Systems Inc.*

# Fireplace Furnace

THE BEAUTY OF A FIREPLACE. THE COMFORT OF A FURNACE.

*Fully Automatic. Thermostatically Controlled.*

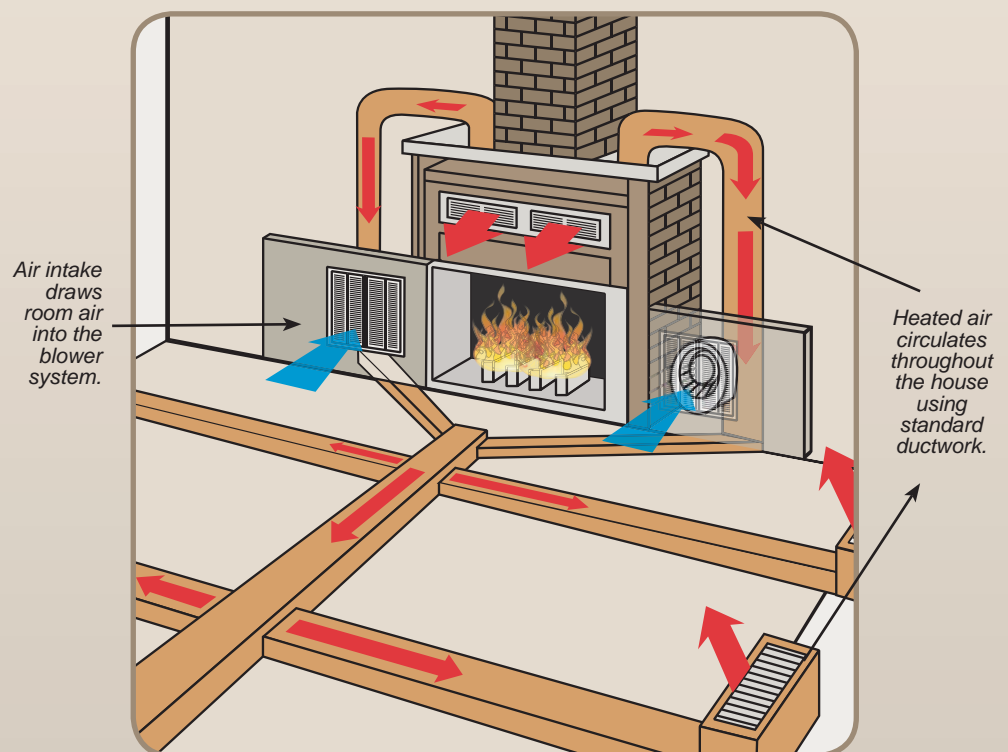
Country Flame's Fireplace Furnace lets you control the temperature with a standard wall thermostat. The unique Country Flame design connects to central heating and air-conditioning ducts (or its own duct system) to form a complete heating system. Engineered to maximize BTU output, Country Flame's baffled heat exchanger provides up to 175,000 BTU/hr – enough heat for a 2,000 to 3,000-square-foot home. The Fireplace Furnace minimizes heat escaping up the chimney and maximizes your energy dollars.



## The Country Flame Fireplace Furnace

CHOOSE A FIREPLACE THAT IS AN EFFICIENT HEAT SOURCE FOR ADDED COMFORT, ENJOYMENT, AND SAVINGS.

When you take into account that the average cost is only slightly more than a traditional masonry fireplace, and consider the added comfort, convenience, and utility savings – plus the enjoyment and aesthetic appeal of a real wood fire – you'll see the Country Flame Fireplace Furnace is amazingly affordable.







500 SERIES DOOR



*Optional Model 400 and 500 Series doors include standard shroud and airwash system.*



400 SERIES DOOR



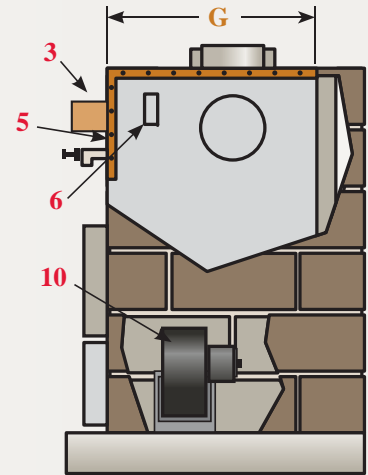
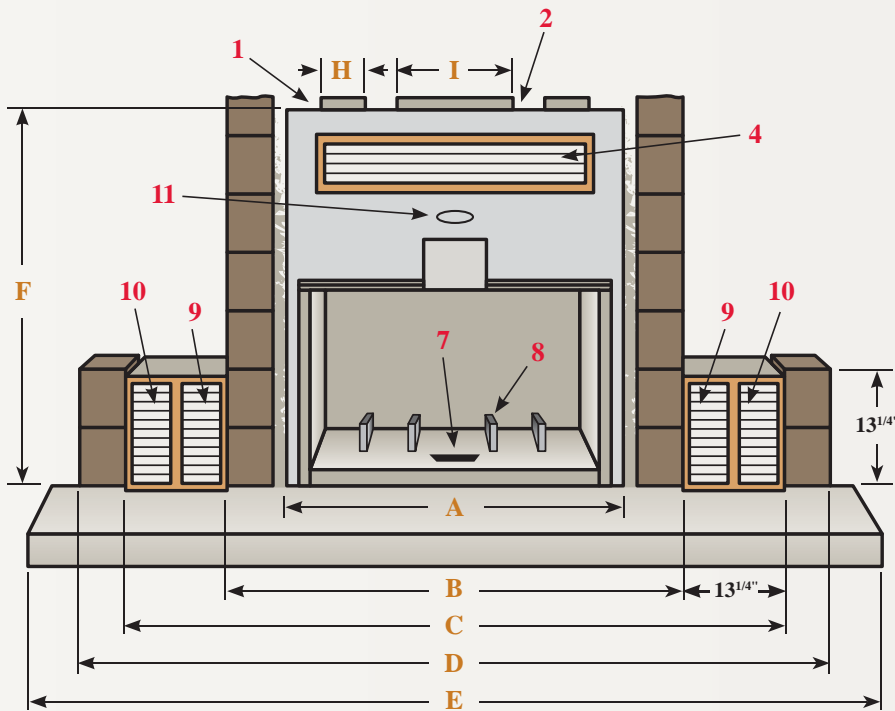
*Optional 500 Series Door features your choice of three finishes: Black, Gold, or Nickel. Visit [countryflame.com](http://countryflame.com) or see our fireplace door literature for details.*

## ENGINEERED FOR MAXIMUM COMFORT AND EFFICIENCY

- The rotary control damper lets you adjust the damper precisely without reaching inside the firebox.
- Two 525 CFM blowers circulate air through your ductwork to start heating distant rooms in as few as 20 minutes after starting a fire.
- The heavy steel firebox is designed for the most rugged use and optimal heat exchange.
- Use either a masonry flue system or a Class A fabricated chimney with your Country Flame Fireplace Furnace in new construction or a remodeling project.
- 10-Year limited warranty on firebox and grate systems.
- Optional super-heavy-duty half-inch steel grates make starting fires easy and will far outlast conventional grates.
- Deep wood box holds more than most fireplaces.



*(Andirons Optional)*

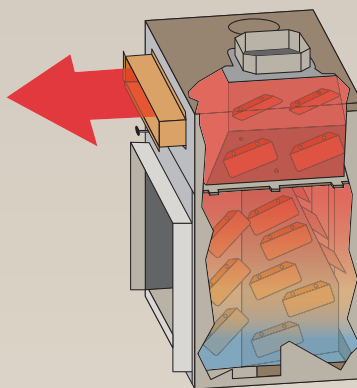


	Model 33	Model 37	Model 42
	33" Firebox width approx. 530 lbs.	37" Firebox width approx. 580 lbs.	42" Firebox width approx. 630 lbs.
A.	38" overall width	42" overall width	48" overall width
B.	50" wide with insulation & concrete blocks	54" wide with insulation & concrete blocks	60" wide with insulation & concrete blocks
C.	76" wide with return air grilles	80" wide with return air grilles	86" wide with return air grilles
D.	84" wide with return air grilles and brick	88" wide with return air grilles and brick	94" wide with return air grilles and brick
E.	92" wide concrete base	96" wide concrete base	102" wide concrete base
F.	48" tall	48" tall	48" tall
G.	26" deep	26" deep	26" deep
H.	6" duct diameter	8" duct diameter	8" duct diameter
I.	13"x13" flue tile	13"x13" flue tile	13"x17" flue tile

	Features
1.	(2) Duct Adapter Rings (optional)
2.	Flue
3.	Heat Grille Holder
4.	Heat Grille
5.	Heat Sensor (mounting bracket behind grille)
6.	Electrical Connection Box
7.	Ash Dump with Sliding Cover
8.	1/2" x 3" Grates and Andirons (optional)
9.	(2) Return Air Grilles
10.	(2) 525 CFM Blowers with Individual Variable Speed Controls
11.	Rotary Damper Rod

The Country Flame Fireplace Furnace is a full masonry unit, to be installed according to Chapter 37 of the Uniform Building Code.

Also Included
1 Wall Thermostat
1 Sliding Ash Dump Cover
1 Clean-Out Door
2 Variable Speed Controls
1 Heat Sensor
1 Roll Insulation



This cutaway drawing shows the Country Flame Fireplace Furnace's inside heat exchanger area. This advanced design transfers fireplace heat to moving air masses; two 525 CFM blowers move this warmed air gently through the duct system into the home. While BTU outputs of up to 175,000 per hour are easily generated, the design of the Fireplace Furnace allows it to provide adequate heat levels from a bed of coals or smaller-size fires.

 **Country Flame**<sup>®</sup>  
by American Energy Systems Inc.

150 Michigan St. S.E., Hutchinson, MN 55350  
Phone: (800) 495-3196 Fax: (320) 587-8872  
information@magnumheat.com  
www.countryflame.com

