

Save This Manual
For Future Reference

SEARS

*owners
manual*

**MODEL NO.
113.178060
12 GALLON**

**MODEL NO.
113.178080
16 GALLON**

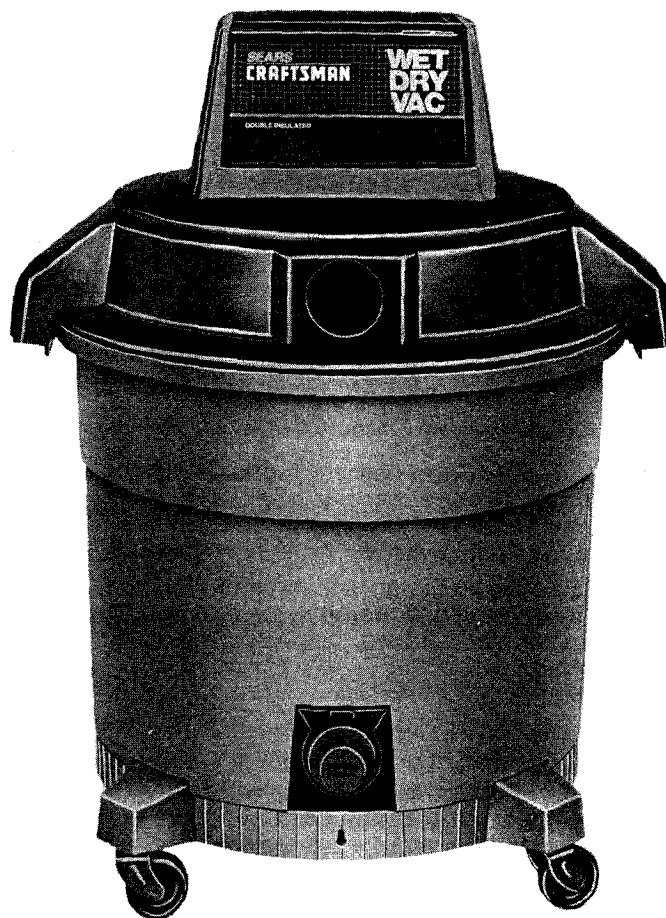
Serial
number _____

Model and serial
number may be found
on the motor cover.

You should record both
model and serial
number in a safe place
for future use.

CAUTION:

Read all safety
instructions carefully



CRAFTSMAN

**12 & 16 GALLON
DOUBLE INSULATED
WET-DRY VAC**

- *assembly*
- *operating*
- *repair parts*

Sold by SEARS, ROEBUCK AND CO., Chicago, IL 60684 U.S.A.

FULL ONE YEAR WARRANTY ON CRAFTSMAN WET-DRY VACS.

If within one year from date of purchase, this Craftsman Wet-Dry Vac fails due to a defect in material or workmanship, Sears will repair it, free of charge.

WARRANTY SERVICE IS AVAILABLE BY SIMPLY RETURNING IT TO THE NEAREST SEARS SERVICE CENTER/DEPARTMENT THROUGHOUT THE UNITED STATES.

This warranty applies only while this product is in use in the United States.

This warranty gives you specific legal rights, and you may also have other rights which vary from state to state.

SEARS, ROEBUCK AND CO., Dept. 698/731A, Sears Tower, Chicago, IL 60684

SAFETY INSTRUCTIONS

1. Know Your Vac

Read and understand the owners manual and labels affixed to the vac. Learn its applications and limitations as well as the specific potential hazards peculiar to this vac.

2. This Vac is Double Insulated which eliminates the need for a separate grounding system. If the use of an extension cord is required be sure that it is in good condition and meets the requirements as listed below.

NOTE: The use of any Extension Cord will cause some loss of power. To keep the loss to a minimum and to prevent overheating and motor burnout, use the table below for the MINIMUM wire size Extension Cord. Cords in poor condition or that are too small can pose fire and shock hazards.

Extension Cord Length	Wire Size
0-50 Feet	No. 14
50-100 Feet	No. 12

3. **WARNING:** To avoid fire or explosion caused by the igniting of vapors or dust due to the arcing of the motor brushes:

- Do not operate this VAC in areas with flammable vapors (such as lighter fluid, cleaners, oil-base paints, gasoline or gasahol) or explosive dust (such as coal, magnesium, grain or gun powder) in the air.
- Do not vacuum explosive dust, flammable or combustible liquids or hot ashes.
- Do not use VAC as a sprayer for any flammable or combustible liquid.

4. **WARNING:** To avoid health hazards from vapors or dusts, do not vacuum toxic materials.

5. Do not use VAC with torn filter. Replace filter if torn.

6. Vac should be plugged into a 110-120 volt A/C power outlet protected by a 15 amp fuse or circuit breaker.

WARNING: To avoid injury from accidental starting, unplug power cord before cleaning or changing filter.

7. To avoid electrical or fire hazards grasp plug to remove from wall socket. Do not pull cord.

8. To avoid dust and dirt accumulation do not oil or grease motor or blower bearings. These are sealed bearings.

9. To avoid injury or damage to vac use only recommended accessories.

10. Note the cautions and warnings that appear on the motor housing and dust drum:



**DOUBLE INSULATED
GROUNDING NOT REQUIRED
WHEN SERVICING USE ONLY
IDENTICAL REPLACEMENT PARTS**

WARNING: To avoid electrical shock do not expose to rain. Store indoors.

WARNING: For your own safety, read and understand Owner's Manual. Do not pick up toxic flammable materials, hot ashes or coals. Do not use around explosive liquids or vapors.

11. Keep the filter in place at all times.

NOTE: Keep Filter clean.



The operation of any utility vac can result in foreign objects being blown into the eyes, which can result in severe eye damage. Always wear safety goggles complying with ANSI Z87.1 (shown on Package) before commencing operation. Safety Goggles are available at Sears retail or catalog stores.

INTRODUCTION

TWO VERY IMPORTANT NOTES — Please Read Carefully

- 1. Exhaust Air** — This wet-dry vac is designed to exhaust air from three (3) areas around the top half of the vac. Air exhausted from these areas is normal and improves the performance of the vac.
- 2. Static Shocks Are Common** — In dry areas or when the relative humidity of the air is low. To reduce the frequency of static shocks in your home the best remedy is to add moisture to the air with a console or installed humidifier.

OWNERS MANUAL CONTENTS

Item	Page
Warranty Information	2
Safety Instructions	2
Introduction	3
Owners Manual Contents	3
Unpacking and Checking Carton Contents	3
Assembly	4
Operation	6
Maintenance	7
Optional Accessories	8
Repair Parts	10

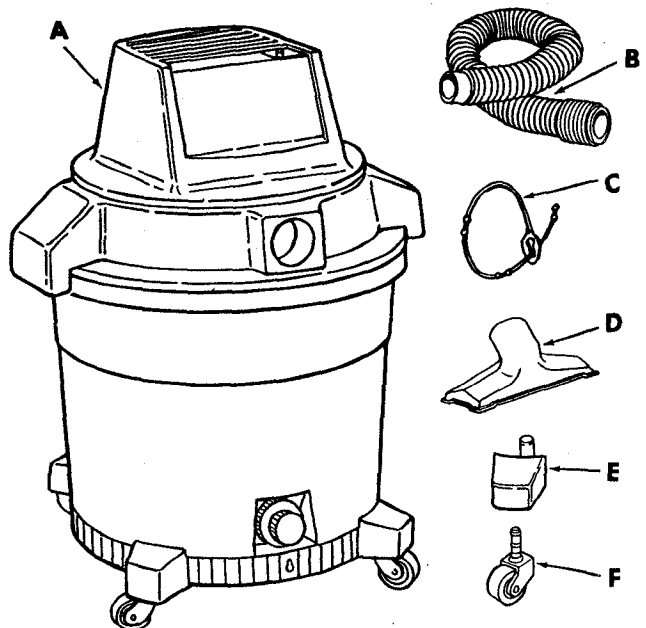
Unpacking and Checking Carton Contents

Remove entire contents of carton. Check each item against the Carton Contents List. Notify your Sears Store immediately if any parts are damaged or missing.

A hose and rectangular nozzle are included with the basic vac unit. However, other accessories are available through your Sears Store at your option and are described on page 8 of this manual.

Carton Contents List

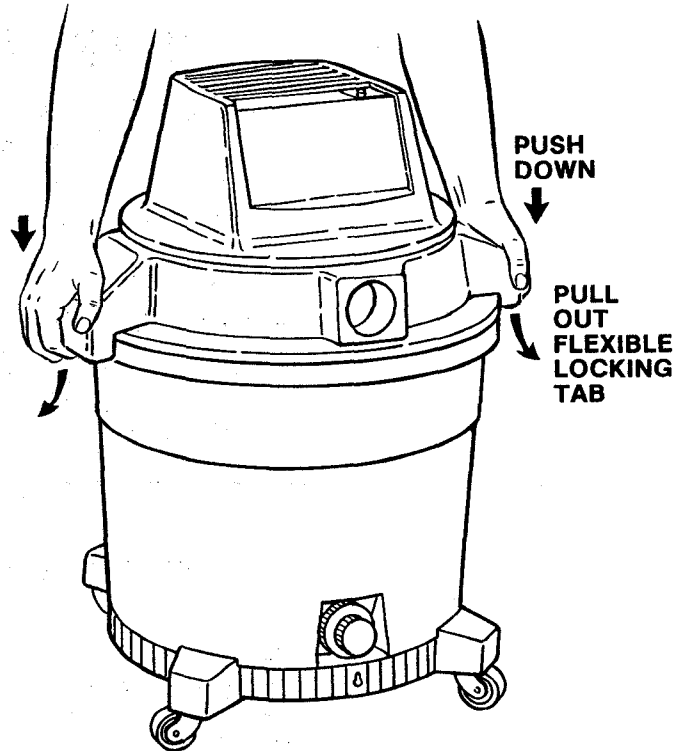
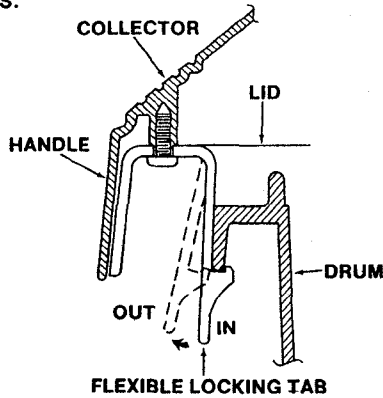
Key	Description	Qty.
A	Vac Assembly	1
B	Hose Assembly	1
C	Hose Strap	1
D	Rectangular Nozzle	1
E	Caster Foot	4
F	Caster	4



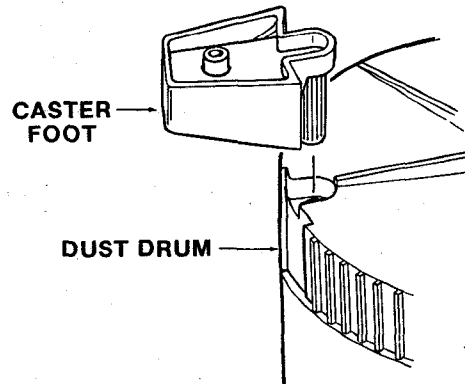
ASSEMBLY

WARNING: For your own safety, never connect plug to power source outlet until assembly steps are complete and you have read and understand the safety and operation instructions. Do not operate vac with any parts damaged or missing.

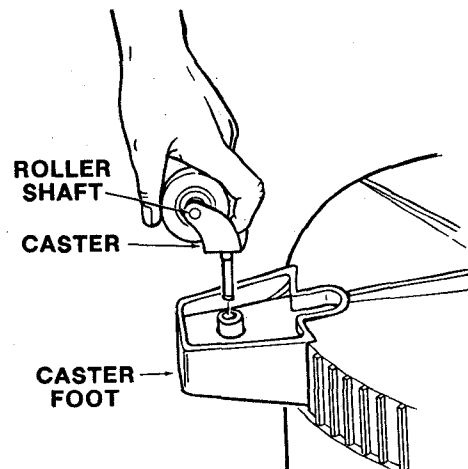
1. Remove the lid assembly on the vac from the bottom section by pulling outward on the flexible latches as shown. Both latches must be pulled outward at the same time using both hands as shown. It may be easier to do if you press down on the vac with the palms of your hands while pulling outward on the flexible latches with your fingers.



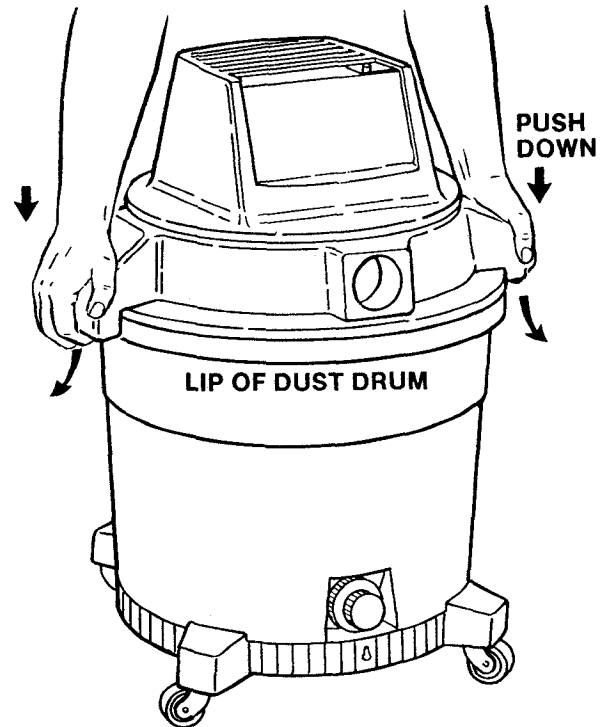
2. With the lid assembly removed, turn the dust drum upside down on the floor. Locate the four caster feet and insert them into the bottom of the drum as shown.



3. Locate the four casters and insert them into the sockets of the caster feet as shown. Be sure the ball on the caster stem is forced all the way into the socket. You will be able to hear the ball snap into the socket and the caster will swivel easily when positioning is correct. Turn drum upright. If your casters are noisy you may put a drop of oil on the roller shaft to make them quieter.



4. Turn lid assembly upright and put the lid assembly on the dust drum by lining up the vacuuming opening of the top with the drain of the dust drum and push down on both handles at once. Make sure that the locking tabs are snapped in place to prevent the lid from coming off.

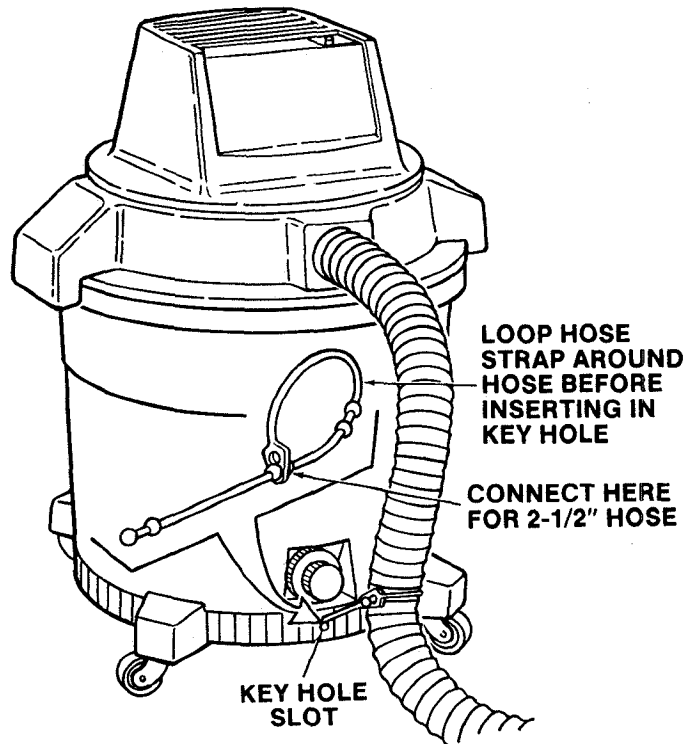


5. Put one end of the swivel hose into the vacuuming opening directly above the drain. Take the hose strap and loop it around the hose about one foot from the vacuuming opening.

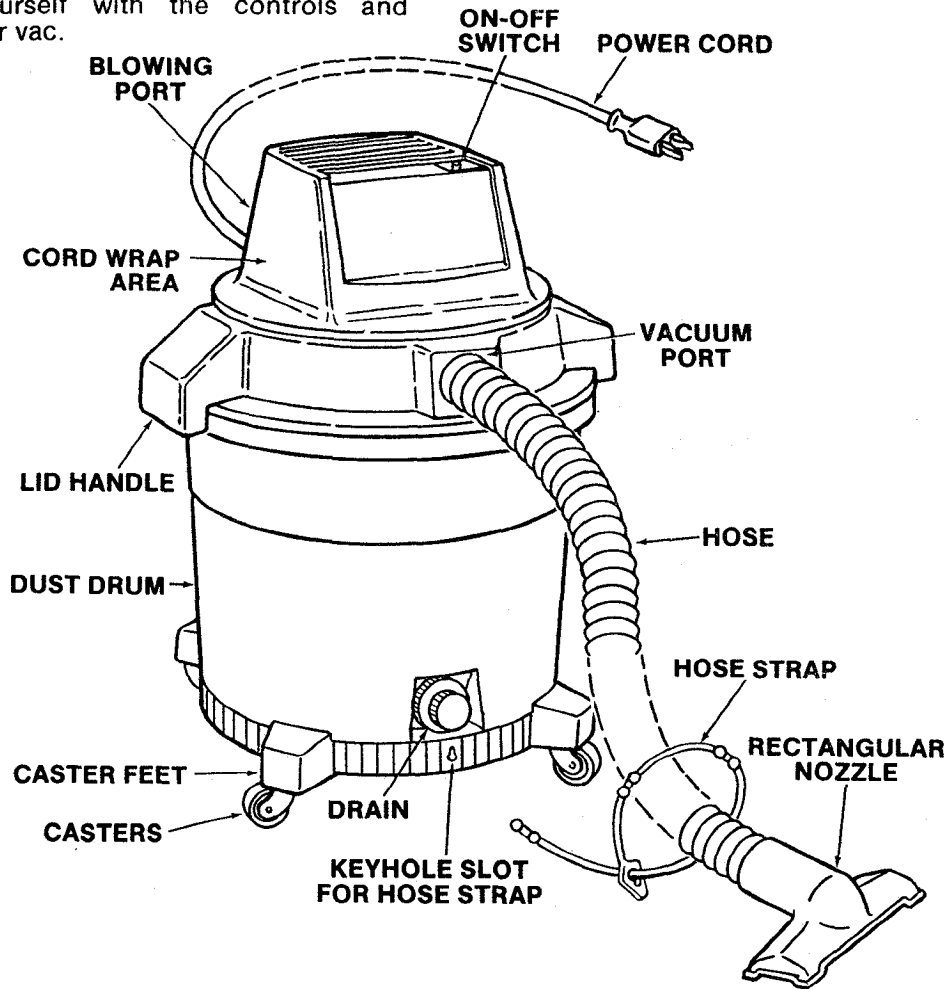
Then put the other end of the hose strap into the keyhole slot just under the drain as shown.

When the vac is pulled around by the hose, the strap between the drum and the hose will help the vac remain easy to handle.

6. Put the nozzle on the other end of the hose and your Vac is ready to use.



7. Familiarize yourself with the controls and features of your vac.



OPERATIONS

WARNING

To avoid fire or explosion caused by the igniting of vapors or dust due to the arcing of the motor brushes do not operate this vac in areas with flammable vapors such as lighter fluid, cleaners, oil-base paints, gasoline, alcohol or explosive dust such as coal, magnesium, grain or gun powder in the air. Do not vacuum explosive dust, flammable or combustible liquids or hot ashes. Do not use this vac as a sprayer for any flammable or combustible liquid. To avoid health hazards from vapors or dusts, do not vacuum toxic materials. To avoid electrical shock do not expose to rain. Store vac indoors. Unplug power cord before changing or cleaning filter or emptying the dust drum.

Vacuuming Dry Materials

1. The Filter must be in correct position at all times to avoid leaks and possible damage to vac.
2. When using your vac to pick up very fine sawdust or dust from drywall type material it will be necessary for you to empty the drum and clean the filter at more frequent intervals to maintain peak suction at the end of the hose.

3. A dry filter is necessary to pick up dry material. If you use your vac to pick up dust when the filter is wet the filter will clog quickly and be very difficult to clean.
4. If your filter is wet but you need to pick up dry material you can quickly dry the filter by letting the vac run for about ten minutes before you use it to pick up the dry material. The clean air rushing through the vac will dry the filter enough for dry use after about 10 minutes of running time.

Vacuuming Liquids

1. The filter must be dried after using the vac to pick up liquids to avoid mildew and possible damage to the filter.
2. When picking up small amounts of liquid the filter will not become very wet. However, when picking up several drums full of liquid the filter will become saturated and misting will appear in the exhaust air. At this time you should dry the filter or change to a dry filter to eliminate the misting and possible dripping of liquid around the lid.
3. This vac is equipped with a float mechanism which will rise automatically to cut off suction when the liquid in the drum reaches a predetermined level. When the float rises turn off the vac, unplug the power cord, and empty the drum. You will know when the float rises because suction at the end of the hose will cease and the motor noise will become higher in pitch.

Draining the Drum

WARNING: To avoid injury from accidental starting, unplug power cord before emptying the drum.

1. Your vac has a drain for easy emptying of liquids. Simply unscrew the drain cap and lift slightly to empty the drum of liquid.
2. You may remove the top section of the vac as described in assembly section and dump the contents into a proper waste disposal container.

Blowing Feature

1. Your vac has limited capabilities for blowing because of the unique method of exhausting air.

However, you may use the vac to blow sawdust off of your tools or workbench by placing the hose in the exhaust port.

Cord Wrap

1. When finished using your vac, unplug the cord and wrap it around the motor cover.

Moving the Vac

1. Should it become necessary to pick the vac up to move it DO NOT pick the vac up by the lid handles. To avoid dropping vac due to latch release or part breakage, pick the vac up by the lip of the dust drum.

MAINTENANCE

FILTER MAINTENANCE

WARNING: To avoid injury from accidental starting, unplug power cord before changing or cleaning filter.

NOTICE:

This filter is made of high quality paper designed to stop very small particles of dust. The filter can be used for wet or dry pick up. Handle the filter carefully when removing to clean or installing it. Creases in the filter pleats may occur from installation but creases will not affect the performance of the filter.

Removal

To remove the old filter for cleaning or replacement remove the nut and the bottom plate from the filter and lift the filter off the cage.

CAUTION: To avoid damage to the blower wheel, always reinstall the filter before using the vac.

Installation

To ensure a proper seal clean the lid area where the filter will set. Slide the new filter over the cage. Replace plate then run nut down threads finger tight only. Do not overtighten as this will cause deformation or cracks in the filter.

WARNING: Do not remove the filter cage. It is there to help prevent your fingers from getting into the blower wheel.

Cleaning

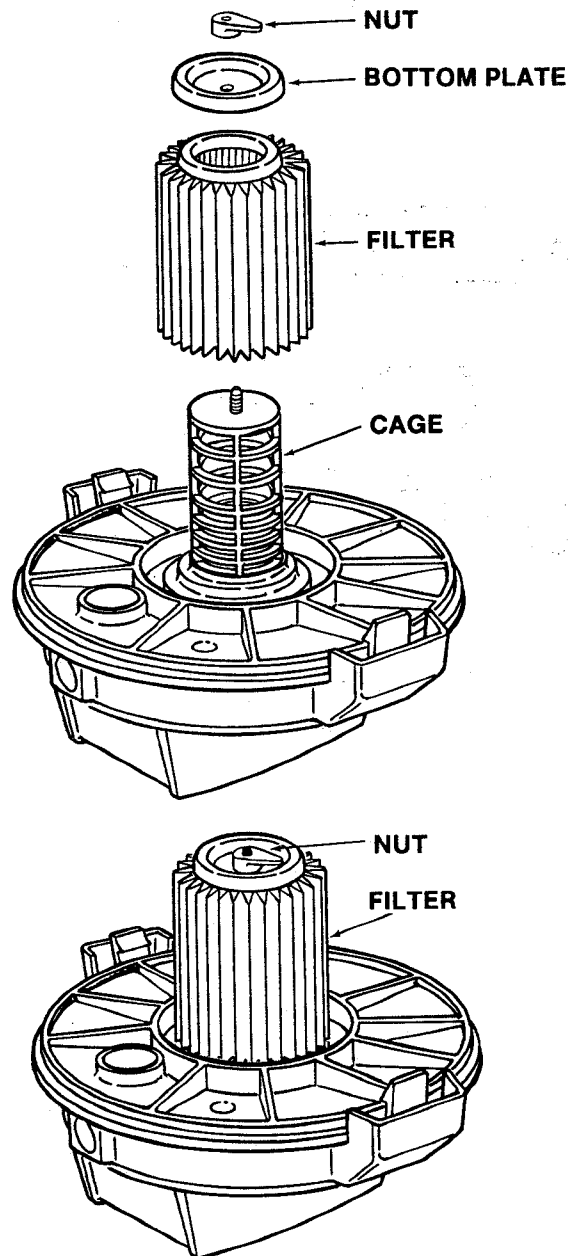
Your filter should be cleaned often to maintain peak performance. Dry filter before storing or picking up dry debris.

Dry Filter

To remove dry debris gently tap the filter against the inside wall of your waste container and the debris will loosen and fall. Some removal of dry debris can be accomplished by slapping your hand on top of the lid while the vac is off and lid is still on the drum.

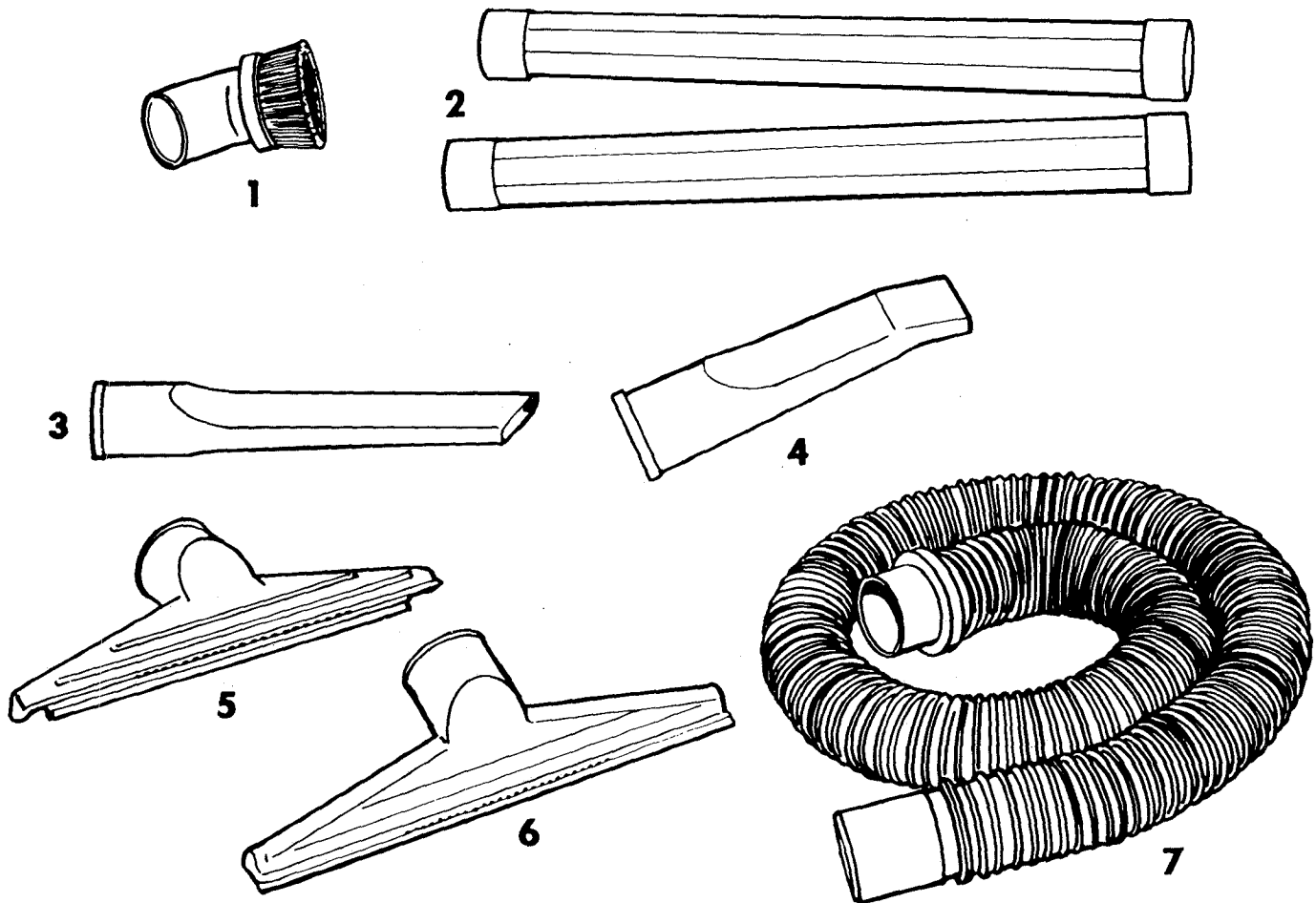
Wet Filter

To clean a wet filter you can run water from a garden hose through it. Take care that the water pressure from the hose is not strong enough to damage the filter.



IMPORTANT: Dry the filter before storing or picking up dry debris. You may run the vac with the filter in place to speed up drying. Check the filter for tears or small holes. Even a small hole can cause a lot of dust to come out of your vac. Do not use a filter with holes or tears in it. Replace it immediately.

SEARS WET-DRY VAC RECOMMENDED ACCESSORIES



2-1/2" DIAMETER PLASTIC ACCESSORIES

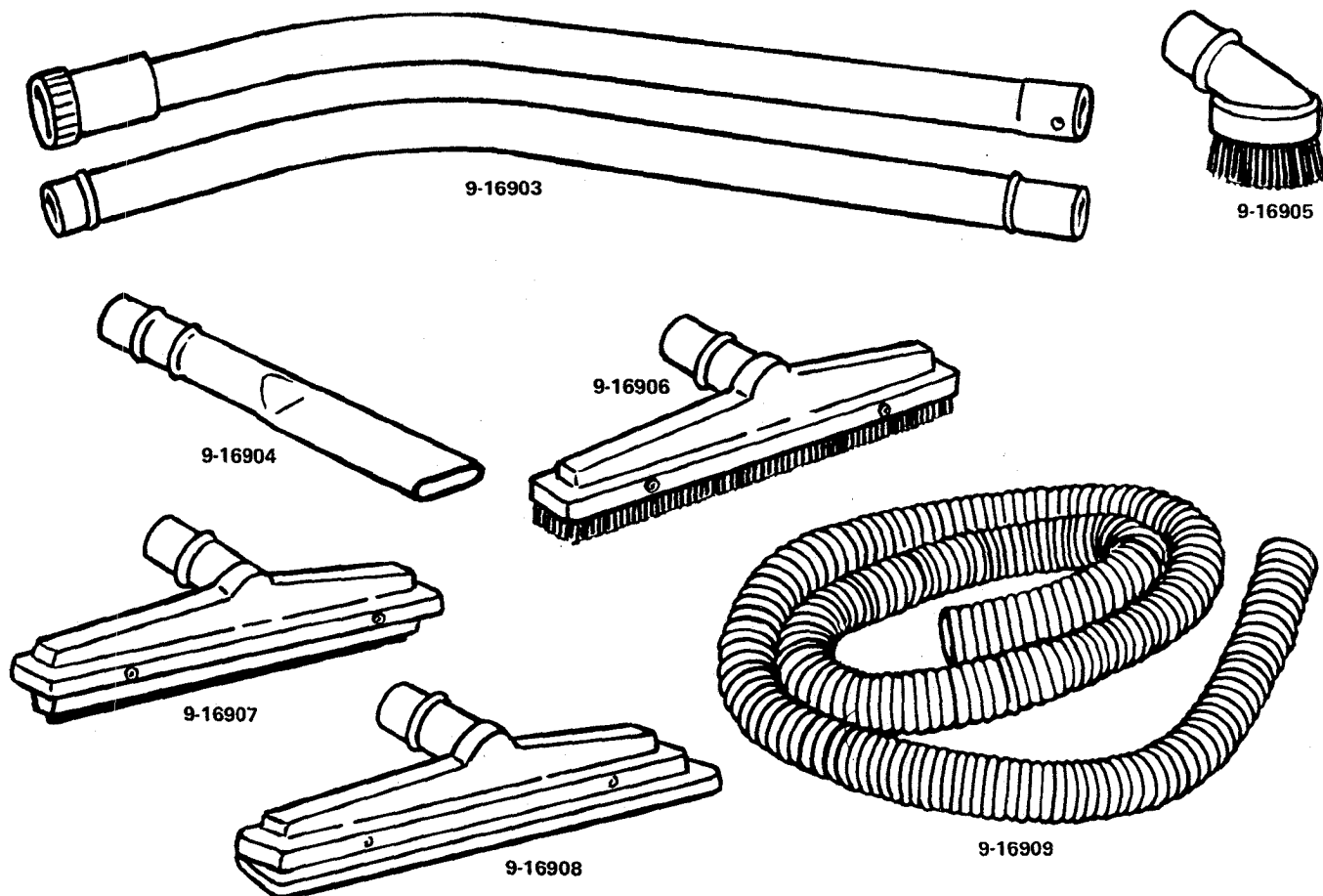
(Pictured above)

1. 9-16901 Round Dusting Brush
2. 9-16964 Two Piece Extension Handle
3. 9-16902 Crevice Tool
4. 9-16978 Car Nozzle
5. 9-16925 Dry Floor Nozzle
6. 9-17817 Squeegee Nozzle
7. 9-17818 Hose

SEARS WET-DRY VAC RECOMMENDED ACCESSORIES

1-1/2" DIAMETER HEAVY DUTY METAL ACCESSORIES

These 1-1/2" Diameter Accessories can be used with any Sears Craftsman Vac provided they are used in conjunction with the 1-1/2" Diameter Hose listed below.



The current 1-1/2" diameter accessories shown above are available at your nearest Sears catalog order store.

9-16903 — Extension handles for 1-1/2" hose. Extends work area range up to 48" more.

9-16905 — Round brush for dusting, great on stairs and blinds. Soft bristles pick up dirt from hard-to-clean areas, convenient angled neck.

9-16909 — 1-1/2" diameter extension hose extends cleaning reach up to 10 Ft. Heavy Duty Plastic Hose may be used with 1-1/2" metal accessories or with 2-1/2" plastic accessories. Adapters included.

9-16907 — Squeegee nozzle for wet pick-up. Complete with built-in, flexible squeegee blade to wipe clean and pick up water, suds and other liquids.

9-16906 — Nozzle with brush for large area pick-up. Gets dust and dirt from bare floors.

9-16904 — Crevice tool cleans hard to reach areas. Remove long-standing dust from behind radiators, under appliances, beneath low-sitting objects, behind seats.

9-16908 — Indoor/outdoor type carpet nozzle.

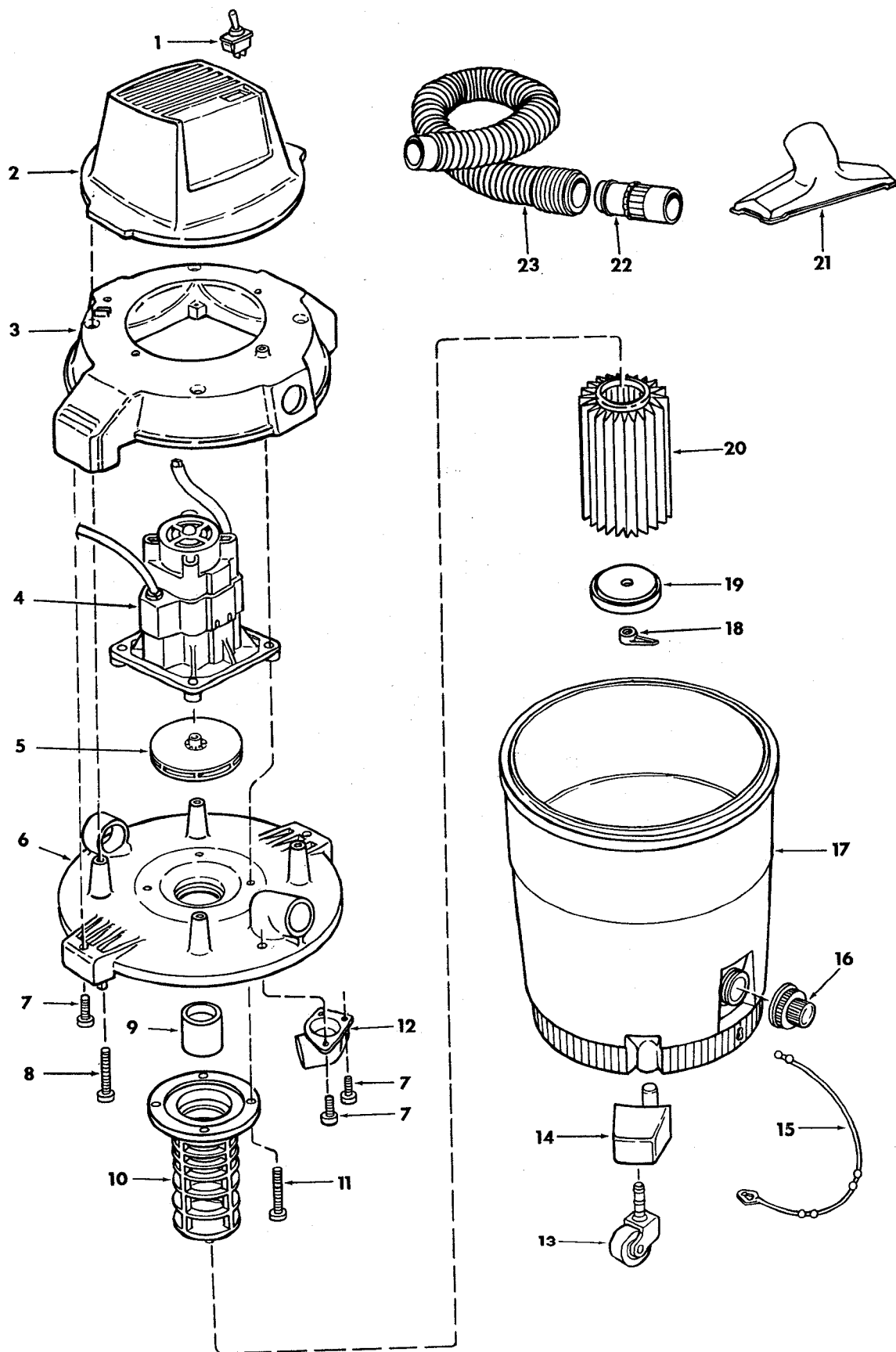
1-1/2" DIAMETER ACCESSORY SET

16911 — Includes 10 foot hose, two piece extension handle, carpet nozzle.

The above recommended accessories were current and available at the time of printing.

REPAIR PARTS

PARTS LIST FOR WET-DRY VAC 113.178060 & 113.178080



PARTS LIST FOR WET-DRY VACS 113.178060 & 113.178080

ALWAYS ORDER BY PART NO. - NOT BY KEY NO.

WARNING: For your safety, this vac is specially insulated. To avoid electrical shock, fire or injury, use only parts identical to those identified in the parts list. Reassemble exactly as original assembly to avoid electrical hazards.

Key No.	Part No.	Description
1	73180	Switch, Toggle
2	73331	Cover, Motor 16 Gallon (Model 113.178080)
	73330	Cover, Motor 12 Gallon (Model 113.178060)
3	73326	Collector
4	73190	Motor, 16 Gallon (Model 113.178080)
	73333	Motor, 12 Gallon (Model 113.178060)
5	73272	Wheel, Blower
6	73329	Lid, 16 Gallon (Model 113.178080)
	73328	Lid, 12 Gallon (Model 113.178060)
7	9426108	Screw, Pan Hd. Type AB No. 10 x 5/8
8	STD611010	*Screw, Pan Hd. Type AB No. 10 x 1
9	73306	Float
10	73302	Cage, Filter

Key No.	Part No.	Description
11	806742-4	Screw, Pan Hd. Type AB No. 10 x 1-3/4
12	28229-01	Nozzle
13	73102	Caster
14	73164	Foot, Caster
15	73166	Strap, Hose
16	73185	Cap, Drain
17	73191	Drum, Dust 16 Gallon (Model 113.178080)
	73332	Drum, Dust 12 Gallon (Model 113.178060)
18	73316	Nut
19	73317	Plate, Filter Retainer
20	9-17816	†Filter
21	20557-01	Nozzle, Rectangular
22	73324	Adapter, Hose 2"
23	73323	Hose
—	73327	Owners Manual (Not Illustrated)

*Standard Hardware Item - May be purchased locally.

†Stock Item - May be secured through the Hardware Department of most Sears Retail Stores or Catalog Houses.

SEARS

*owners
manual*

SERVICE

MODEL NO.
113.178060
12 GALLON

MODEL NO.
113.178080
16 GALLON

HOW TO ORDER REPAIR PARTS

WET-DRY VAC

Service is available by returning this Vac to the nearest Sears Service Center/Department throughout the United States.

Model and serial number may be found on the Motor Cover of your Wet-Dry Vac.

WHEN ORDERING REPAIR PARTS, ALWAYS GIVE THE FOLLOWING INFORMATION:

PART NUMBER	PART DESCRIPTION
MODEL NUMBER 113.178060 OR 113.178080	NAME OF ITEM WET-DRY VAC

All parts listed may be ordered from any Sears Service Center and most Sears stores. If the parts you need are not stocked locally, your order will be electronically transmitted to a Sears Repair Parts Distribution Center for handling.

Sold by SEARS, ROEBUCK AND CO., Chicago, IL 60684 U.S.A.