

Sears

*owners
manual*

**MODEL NO.
113.239201**
SHAPER ONLY

113.239291
SHAPER WITH STEEL
LEGS AND MOTOR

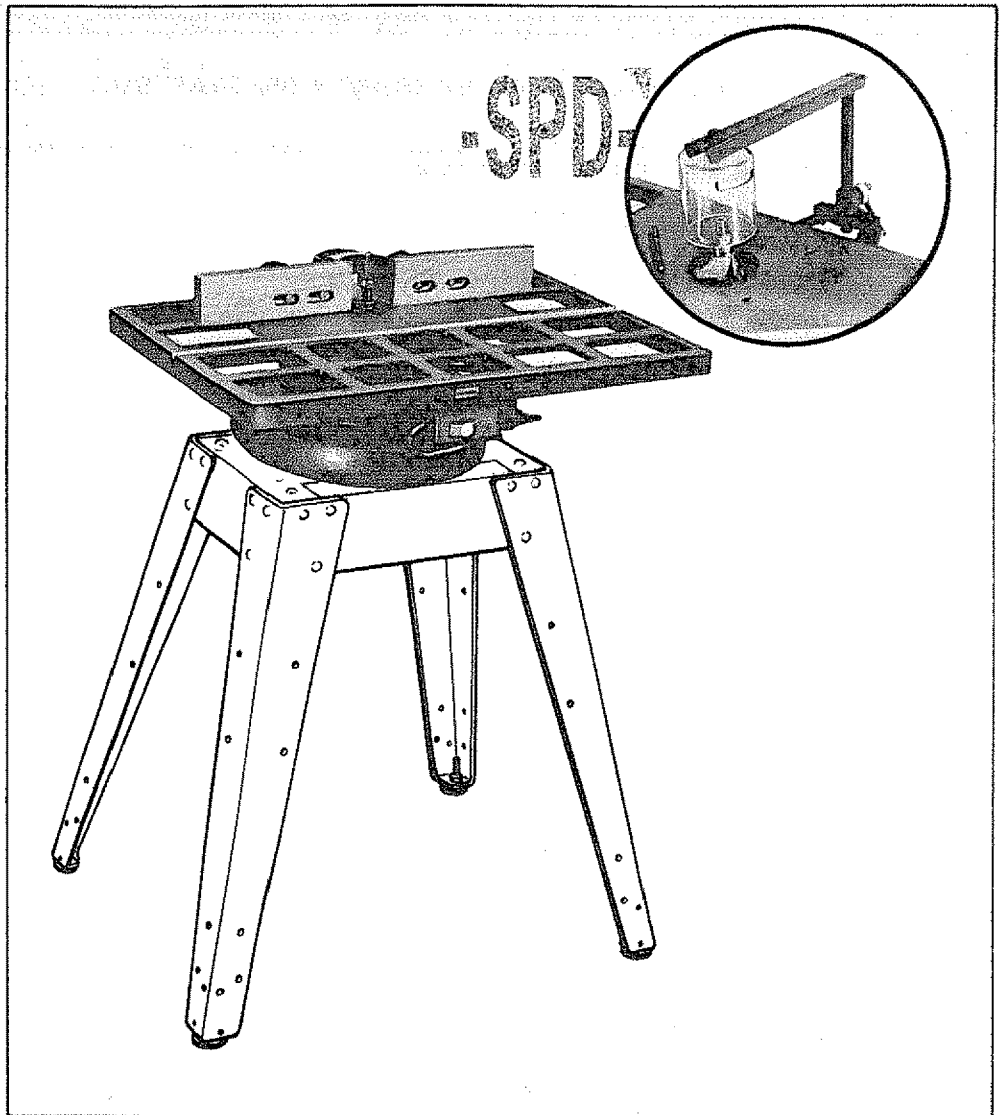
Serial
Number _____

Model and serial
number may be found
on the front of
the table.

You should record both
model and serial number
in a safe place for
future use.

CAUTION:

Read **GENERAL**
and **ADDITIONAL**
SAFETY
INSTRUCTIONS
carefully



Sears

CRAFTSMAN.

WOOD SHAPER

- *assembly*
- *operating*
- *repair parts*

Sold by SEARS, ROEBUCK AND CO., Chicago, IL. 60684 U.S.A.

FULL ONE YEAR WARRANTY ON CRAFTSMAN WOOD SHAPER

If within one year from the date of purchase, this Craftsman Wood Shaper fails due to a defect in material or workmanship, Sears will repair it, free of charge.

WARRANTY SERVICE IS AVAILABLE BY SIMPLY CONTACTING THE NEAREST SEARS STORE OR SERVICE CENTER THROUGHOUT THE UNITED STATES.

This warranty gives you specific legal rights, and you may also have other rights which vary from state to state.

SEARS, ROEBUCK AND CO., Dept. 698/731A, Sears Tower, Chicago, IL 60684

general safety instructions for power tools

1. KNOW YOUR POWER TOOL

Read and understand the owner's manual and labels affixed to the tool. Learn its application and limitations as well as the specific potential hazards peculiar to this tool.

2. GROUND ALL TOOLS

This tool is equipped with an approved 3-conductor cord and a 3-prong grounding type plug to fit the proper grounding type receptacle. The green conductor in the cord is the grounding wire. Never connect the green wire to a live terminal.

3. KEEP GUARDS IN PLACE

in working order, and in proper adjustment and alignment.

4. REMOVE ADJUSTING KEYS AND WRENCHES

Form habit of checking to see that keys and adjusting wrenches are removed from tool before turning it on.

5. KEEP WORK AREA CLEAN

Cluttered areas and benches invite accidents. Floor must not be slippery due to wax or sawdust.

6. AVOID DANGEROUS ENVIRONMENT

Don't use power tools in damp or wet locations or expose them to rain. Keep work area well lighted. Provide adequate surrounding work space.

7. KEEP CHILDREN AWAY

All visitors should be kept a safe distance from work area.

8. MAKE WORKSHOP KID-PROOF

— with padlocks, master switches, or by removing starter keys.

9. DON'T FORCE TOOL

It will do the job better and safer at the rate for which it was designed.

10. USE RIGHT TOOL

Don't force tool or attachment to do a job it was not designed for.

11. WEAR PROPER APPAREL

Do not wear loose clothing, gloves, neckties or jewelry (rings, wrist watches) to get caught in moving parts. Nonslip footwear is recommended. Wear protective hair covering to contain long hair. Roll long sleeves above the elbow.

12. USE SAFETY GOGGLES (Head Protection)

Wear Safety goggles (must comply with ANSI Z87.1) at all times. Everyday eyeglasses only have impact resistant lenses, they are NOT safety glasses. Also, use face or dust mask if cutting operation is dusty, and ear

protectors (plugs or muffs) during extended periods of operation.

13. SECURE WORK

Use clamps or a vise to hold work when practical. It's safer than using your hand, frees both hands to operate tool.

14. DON'T OVERREACH

Keep proper footing and balance at all times.

15. MAINTAIN TOOLS WITH CARE

Keep tools sharp and clean for best and safest performance. Follow instructions for lubricating and changing accessories.

16. DISCONNECT TOOLS

before servicing; when changing accessories such as blades, bits, cutters, etc.

17. AVOID ACCIDENTAL STARTING

Make sure switch is in "OFF" position before plugging in.

18. USE RECOMMENDED ACCESSORIES

Consult the owner's manual for recommended accessories. Follow the instructions that accompany the accessories. The use of improper accessories may cause hazards.

19. NEVER STAND ON TOOL

Serious injury could occur if the tool is tipped or if the cutting tool is accidentally contacted.

Do not store materials above or near the tool such that it is necessary to stand on the tool to reach them.

20. CHECK DAMAGED PARTS

Before further use of the tool, a guard or other part that is damaged should be carefully checked to ensure that it will operate properly and perform its intended function. Check for alignment of moving parts, binding of moving parts, breakage of parts, mounting, and any other conditions that may affect its operation. A guard or other part that is damaged should be properly repaired or replaced.

21. DIRECTION OF FEED

Feed work into a blade or cutter against the direction of rotation of the blade or cutter only.

22. NEVER LEAVE TOOL RUNNING UNATTENDED

Turn power off. Don't leave tool until it comes to a complete stop.

ADDITIONAL SAFETY INSTRUCTIONS FOR WOOD SHAPER

CAUTION: Turn motor switch "OFF" and disconnect Power Cord when changing Shaper cutters or making adjustments.

Safety is a combination of operator common sense and alertness at all times when the Wood Shaper is being used.

WARNING: FOR YOUR OWN SAFETY, DO NOT ATTEMPT TO OPERATE YOUR WOOD SHAPER UNTIL IT IS COMPLETELY ASSEMBLED AND INSTALLED ACCORDING TO THE INSTRUCTIONS... AND UNTIL YOU HAVE READ AND UNDERSTAND THE FOLLOWING:

	PAGE
1. General Safety Instructions for Power Tools	2
2. Getting to Know your Wood Shaper	11
3. Basic Wood Shaper Operation	14
4. Maintenance	18
5. Stability of Machine	

The Shaper must be bolted securely to a stand or work bench, in addition, if there is any tendency for the Shaper to tip over or move during certain operations, it should be bolted to the floor.

6. Location

The Shaper should be positioned so neither the operator nor a casual observer is forced to stand in line with the workpiece when straight line shaping. This Shaper is intended for indoor use only.

7. Protection: Eyes, Hands, Face, Ears, Body

Wear safety goggles that comply with ANSI Z87.1 1968. Wear ear plugs or muffs during extended periods of operation. Do not wear gloves . . . roll long sleeves above the elbow.

8. Always feed against rotation of the cutter. **NEVER** "back up" the workpiece.

9. Do not take deep cuts or feed the stock too rapidly.

10. Be particularly careful in shaping wood that contains cross grains or knots, as these may cause the hands to be thrown into the cutter or cause kickbacks.

11. Before applying power, make sure the keyed washer is installed immediately under the spindle nut and the spindle nut is securely fastened, and all guards are in the proper position. Make sure cutters are sharp.

12. Avoid awkward hand positions, where a sudden slip could cause a hand to move into the cutter. Never reach in back of or around the cutter with either hand to hold down the workpiece.

13. Accumulations of stock or of finished work should not be allowed on the table. Never clear table while cutter is rotating.

14. Rubbish, shavings, stock, or other objects or material should not be allowed on the floor where they may be a tripping hazard.

15. Use working forms, patterns or holders wherever possible, and keep them maintained. Care should be taken that the work is securely fastened in these fixtures. Stock is often of such size or shape that it must be clamped in a holder before being shaped. The inside jaws which clamp directly against the stock should be lined with sand paper. Guards may also be mounted on a holder to afford additional protection.

16. When the fence is used, make sure it is securely fastened and will not slip, and is properly adjusted.

17. Do not wear gloves, neckties, loose sleeves, or ragged or torn clothing of any kind. Wear safety goggles complying with ANSI Z87.1-1968 to protect your eyes from dust or flying particles.

18. **DO NOT** perform layout, assembly, or set-up work on the table while the cutting tool is rotating.

19. **NEVER** perform freehand shaping — Use either the fence, or a starting pin in the table and a collar on the spindle, or a pattern.

20. Do not place your fingers or hands near edge of material being cut.

21. **NEVER** perform irregular shaping operations with the cutter guard removed. Be positive it is installed and adjusted per instructions.

22. **NEVER** perform internal shaping operations on this Shaper.

23. Do not use your hands to remove objects or materials from around cutters; use a brush.

24. Do not tamper with guards nor make them inoperative in any way.

25. **ALWAYS** joint or plane edge on surface of workpiece that will be in contact with fence and/or table.

26. **NEVER** attempt to shape warped or twisted or bowed workpieces.

27. Before leaving the machine, make sure the motor switch is "OFF" the power cord is disconnected from the power source, and the cutter has stopped revolving.

28. Never operate the Shaper without a protective cover on the unused shaft end of a double ended motor.

29. If any part of this Shaper should break, bend, or fail in any way or any electrical component fail to perform properly, or if any is missing, shut off power switch, remove power supply cord from power supply and replace damaged missing and/or failed parts before resuming operation.

WARNING: DO NOT ALLOW FAMILIARITY (GAINED FROM FREQUENT USE OF YOUR WOOD SHAPER) TO BECOME COMMONPLACE. ALWAYS REMEMBER THAT A CARELESS FRACTION OF A SECOND IS SUFFICIENT TO INFLICT SEVERE INJURY.

30. Note and follow Safety Instructions that appears on the Shaper fence.

WARNING

A KEYPED WASHER MUST ALWAYS BE USED UNDER THE SPINDLE NUT

31. Note and follow Safety Instructions that appear on the Shaper Switch assembly.

DANGER

FOR YOUR OWN SAFETY:

READ AND UNDERSTAND OWNER'S MANUAL BEFORE OPERATING MACHINE

- 1 WEAR SAFETY GOGGLES PER ANSI Z87.1 AT ALL TIMES
- 2 BE POSITIVE KEYPED WASHER IS DIRECTLY UNDER SPINDLE NUT AND SPINDLE NUT IS TIGHT BEFORE TURNING SHAPER "ON"
- 3 ALWAYS FEED WORKPIECE AGAINST ROTATION OF CUTTER MOTOR AND CUTTER ROTATE IN SAME DIRECTION
- 4 AVOID AWKWARD HAND POSITIONS
- 5 KEEP FINGERS AWAY FROM REVOLVING CUTTER — USE FIXTURES WHEN NECESSARY
- 6 USE OVERHEAD GUARD WHEN ADJUSTABLE FENCE IS NOT IN PLACE

WARNING: THE 4-3/8" FLAT PULLEY AND THE 2" MOTOR PULLEY FURNISHED, WILL RUN THE CUTTER APPROXIMATELY 9000 R.P.M. WHEN USED WITH A 3450 MOTOR. NEVER SUBSTITUTE THESE PULLEYS TO INCREASE THIS SPEED BECAUSE IT COULD BE DANGEROUS.



The operation of any power tool can result in foreign objects being thrown into the eyes, which can result in severe eye damage. Always wear safety goggles complying with ANSI Z87.1 (shown on Package) before commencing power tool operation. Safety Goggles are available at Sears retail or catalog stores.

MOTOR SPECIFICATIONS AND ELECTRICAL REQUIREMENTS

This machine is designed to use a 3450 R.P.M. Motor only. Do not use any motor that runs faster than 3450 R.P.M. It is wired for operation on 115 volts, 60 Hz., alternating current. **IT MUST NOT BE CONVERTED TO OPERATE ON 230 VOLTS. EVEN THOUGH SOME OF THE RECOMMENDED MOTORS ARE DUAL VOLTAGE.**

THESE CRAFTSMAN MOTORS HAVE BEEN FOUND TO BE ACCEPTABLE FOR USE ON THIS TOOL.

HP	RPM	VOLTS	CATALOG NO.
1/2	3450	115	1216
1/2	3450	115	1218
3/4	3450	115	1219
3/4	3450	115	1226
1/2	3450	115	1269*

*Motor has reversing switch

CAUTION: Do not use blower or washing machine motors or any motor with an automatic reset overload protector as their use may be hazardous.

CONNECTING TO POWER SOURCE OUTLET

This machine must be grounded while in use to protect the operator from electric shock.

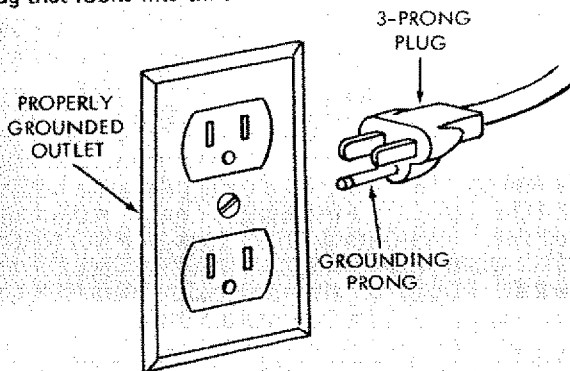
Plug power cord into a 115V properly grounded type outlet protected by a 15 amp dual element time delay or circuit saver fuse or circuit breaker. If you are not sure that your outlet is properly grounded, have it checked by a qualified electrician.

WARNING: DO NOT PERMIT FINGERS TO TOUCH THE TERMINALS OF PLUGS WHEN INSTALLING OR REMOVING THE PLUG TO OR FROM THE OUTLET.

WARNING: IF NOT PROPERLY GROUNDED THIS POWER TOOL CAN INCUR THE POTENTIAL HAZARD OF ELECTRICAL SHOCK. PARTICULARLY WHEN USED IN DAMP LOCATIONS IN PROXIMITY TO PLUMBING. IF AN ELECTRICAL SHOCK OCCURS THERE IS THE POTENTIAL OF A SECONDARY HAZARD SUCH AS YOUR HANDS CONTACTING THE CUTTER BLADE.

If power cord is worn or cut, or damaged in any way, have it replaced immediately.

Your unit is to be used on less than 125 volts and it has a plug that looks like this.



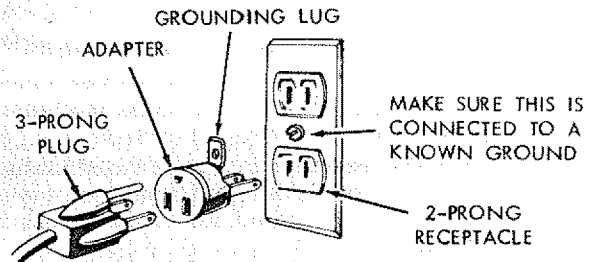
This power tool is equipped with a 3-conductor cord and grounding type plug which has a grounding prong, approved by Underwriters' Laboratories and the Canadian Standards Association. The ground conductor has a green jacket and is attached to the tool housing at one end and to the ground prong in the attachment plug at the other end.

This plug requires a mating 3-conductor grounded type outlet as shown.

If the outlet you are planning to use for this power tool is of the two prong type **DO NOT REMOVE OR ALTER THE GROUNDING PRONG IN ANY MANNER.** Use an adapter as shown and always connect the grounding lug to known ground.

It is recommended that you have a qualified electrician replace the TWO prong outlet with a properly grounded THREE prong outlet.

An adapter as shown below is available for connecting plugs to 2-prong receptacles. The green grounding lug extending from the adapter must be connected to a permanent ground such as to a properly grounded outlet box.



NOTE: The adapter illustrated is for use only if you already have a properly grounded 2-prong receptacle. Adapter is not allowed in Canada by the Canadian Electrical Code.

The use of any extension cord will cause some loss of power. To keep this to a minimum and to prevent overheating and motor burn-out, use the table below to determine the minimum wire size (A.W.G.) extension cord. Use only 3 wire extension cords which have 3-prong grounding type plugs and 3-pole receptacles which accept the tools plug.

Extension Cord Length	Wire Size AWG
Up to 100'	14
100' to 200'	12
200' to 400'	8

CHECK MOTOR ROTATION

WARNING: FOR YOUR OWN SAFETY, MAKE SURE PLUG IS NOT CONNECTED TO POWER SOURCE OUTLET WHEN CHANGING MOTOR ROTATION.

The motor must rotate **COUNTERCLOCKWISE** when viewed from the shaft end to which you will mount the pulley. (See page 8) If it does not, change the direction according to the instructions furnished with the motor.

UNPACKING AND CHECKING CONTENTS

CONTENTS

WARRANTY	2
General Safety Instruction for Power Tools	2
Additional Safety Instructions for Wood Shaper	3
Motor Specifications and Electrical Requirements	4
UNPACKING AND CHECKING CONTENTS	5
List of Loose Parts	5
ASSEMBLY	6
Tools Needed	6
Installing Elevating Rod and Table Support	7
Mounting Belt Guard and Motor to Motor Mount	7
Checking Motor Rotation	8
Installing Motor Pulley	8
Mounting Motor Support Assembly to Shaper	9
Mounting Switch Assembly	9
Assembling Steel Legs	10
Mounting Wood Shaper on Floor Stand	10
Plugging in Motor	11
Installing Shaper Fence — For Straight Edge Shaping only	11
Installing Shaper Cutter Guard — For Curved or Irregular Shaping only	11
GETTING TO KNOW YOUR WOOD SHAPER	13
On-Off Switch	13
Elevating Control Lever	14
Spindle Lock Knob	14
Spindle	14
Spacers	14
Keyed Washer	14
Fence Adjusting Knob	14
Fence Lock Knob	14
Fence Faces	14
Cutter Guard	14
Starting Pin	14
Removing and Installing Cutter	14
ADJUSTMENTS	15
Shaper Fence	15
Fence Faces	15
BASIC SHAPING OPERATIONS	16
Use of Cutter Spacers	16
Straight Edge Shaping	17
Shaping With Use of Miter Gauge and Hold-Down Clamp (Optional Accessory)	17
Irregular or curved Shaping	18
MAINTENANCE	20
LUBRICATION	20
RECOMMENDED ACCESSORIES	20
TROUBLE SHOOTING	21
REPAIR PARTS	22

Model 113.239291 Wood Shaper is shipped complete in one carton and includes steel legs and motor.

Model 113.239201 Wood Shaper is shipped complete in one carton but DOES NOT INCLUDE Steel Legs or Motor.

Separate all parts from packing materials and check each one with the illustration and the list of Loose Parts to make certain all items are accounted for, before discarding any packing material.

If any parts are missing, do not attempt to assemble the Shaper, plug in the power cord or turn the switch on until the missing parts are obtained and are installed correctly.

Remove the protective oil that is applied to the table top and edges of the table. Use any ordinary household type grease and spot remover.

CAUTION: Never use gasoline, naphtha or similar highly volatile solvents.

Apply a coat of automobile wax to the table.

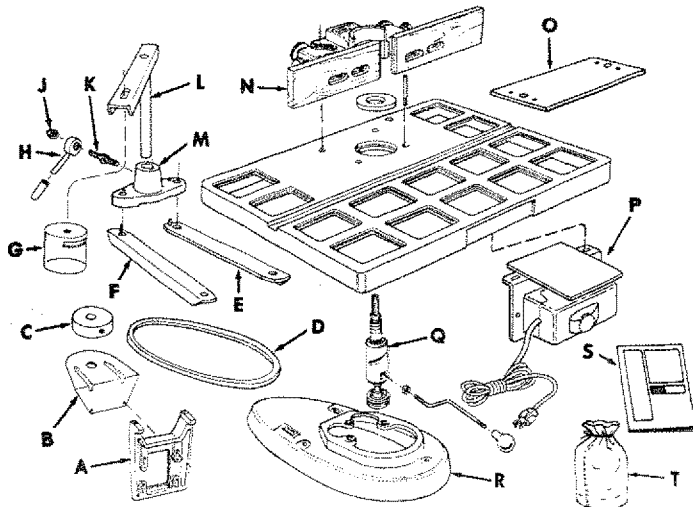
Wipe all parts thoroughly with a clean, dry cloth.

WARNING: FOR YOUR OWN SAFETY, NEVER CONNECT PLUG TO POWER SOURCE OUTLET UNTIL ALL ASSEMBLY STEPS ARE COMPLETE, AND YOU HAVE READ AND UNDERSTAND THE SAFETY AND OPERATIONAL INSTRUCTIONS.

LIST OF LOOSE PARTS

Included with Model No. 113.239201 and 113.239291

Item	Part Name	Qty.
A	Motor Mount	1
B	Guard, Pulley	1
C	Pulley, Motor	1
D	Belt, "V" 1/2 x 33	1
E	Support Assembly, R.H.	1
F	Support Assembly, L.H.	1
G	Guard, Cutter	1
H	Hub Assembly, Lock	1
J	Nut, Lock	1
K	Stud Nut	1
L	Support, Guard	1
M	Bracket, Support	1
N	Fence Assembly	1
O	Plate, Guard	1
P	Switch Box Assembly	1
Q	Spindle Assembly	1
R	Base	1
S	Owners Manual	1
T	Bag Assembly, Loose Parts (Part No. 72022) Containing The Following:	
	Starting Pin	1
	Insert, Table	1
	Wrench	1
	Screw, Hex Hd. 3/8-16 x 1	2
	Washer 25/64 x 1-1/8 x 7/64	2
	Bolt, Carriage 5/16-18 x 1-1/4	4
	Washer 21/64 I.D. x 7/8 O.D. x 1/8	4
	Screw, W/Lockwasher 5/16-18 x 3/4	3
	Washer 11/32 I.D. x 1-1/16 x 1/8	2
	Wrench, Hex "L" 5/32	1
	Wrench, Hex "L" 1/4	1
	Knob	1
	Nut, Hex Jam 3/8-24	1
	Screw, Hex Hd. 5/16-18 x 1 1/4	3
	Nut, Hex 5/16-18	7
	Lockwasher, Int. 5/16	3
	Hanger, Cable	1
	Screw, Hex Hd. 5/16-18 x 2	2
	Elevating Rod	1
	Washer 21/64 x 3/4 x 1/16	5
	Screw, Soc. Set 5/16-18 x 5/16	1



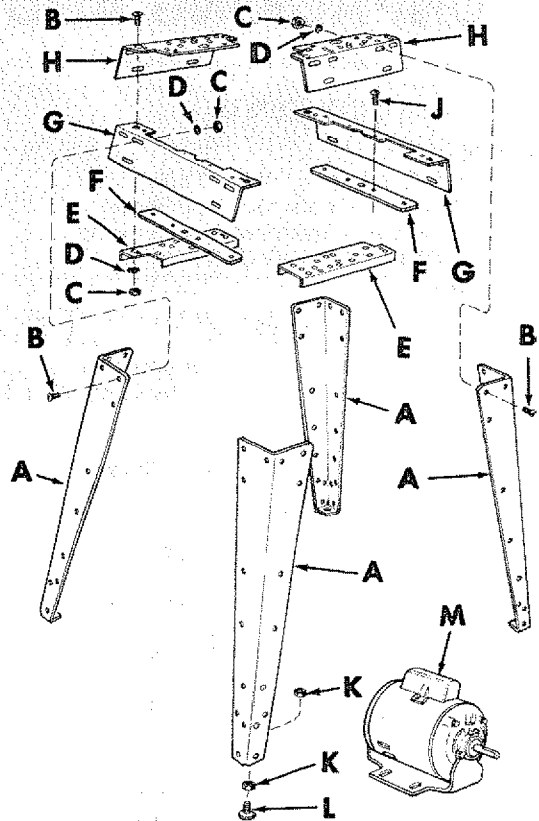
LIST OF LOOSE PARTS
Included with Model No. 113.239291 only

Item	Part Name	Qty.
A	Leg	4
B	• Screw, Truss Hd. 1/4-20 x 5/8	28
C	• Nut, Hex 1/4-20	28
D	• Lockwasher, 1/4 External	28
E	Channel, Support	2
F	Stiffener,	2
G	Stiffener, Side	2
H	Stiffener, End	2
J	• Screw, Pan Hd. Ty. A N8 x 1/2	4
K	• Nut, Hex Hd. 1/2-13	8
L	• Foot, Leveling	4
M	Motor	1

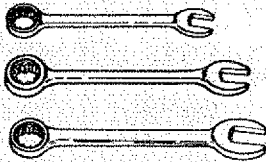
HARDWARE FOR MOUNTING TOOL

—	• Screw, Hex Hd. 5/16-18 x 3	3
—	• Lockwasher, 5/16 External	3
—	• Nut, Hex Jam 5/16-18	3
—	• Washer, 11/32 ID	3

• These parts contained in Loose Parts Bag No. 72031.

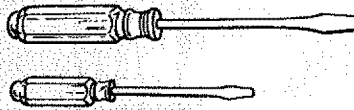


ASSEMBLY



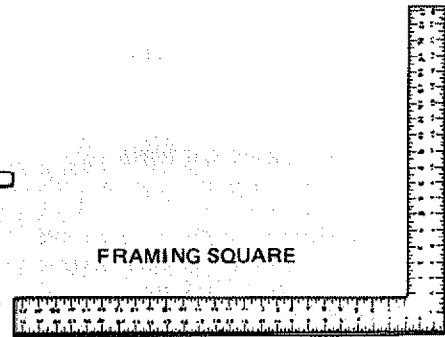
7/16-INCH WRENCH
1/2-INCH WRENCH
9/16-INCH WRENCH

TOOLS NEEDED

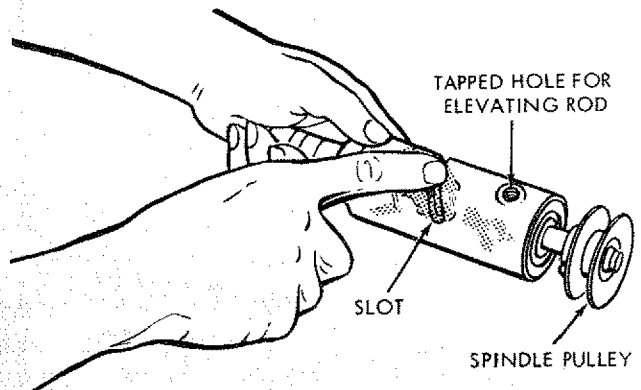


SCREWDRIVER (MEDIUM)
SCREWDRIVER (SMALL)

FRAMING SQUARE



Coat the spindle assembly with cup grease, being sure to wipe some of the grease into the elevating slot milled in the spindle assembly.

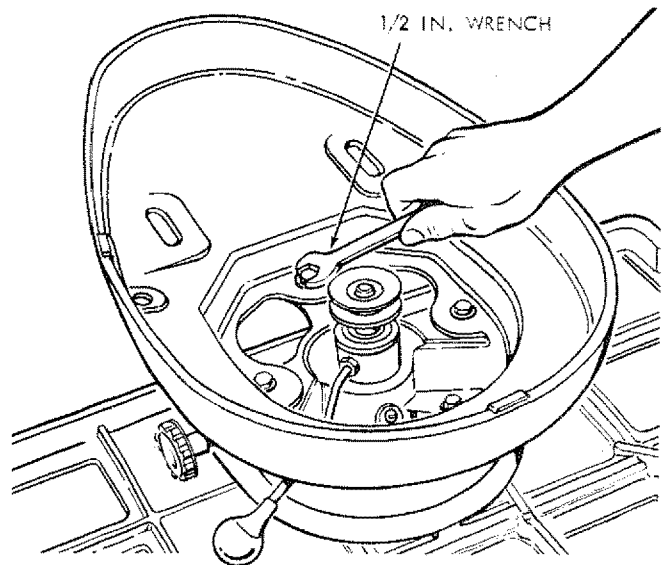
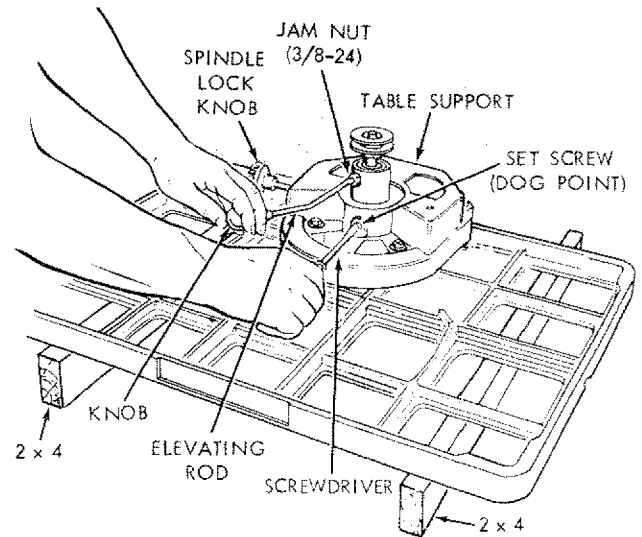


INSTALLING ELEVATING ROD AND TABLE SUPPORT

Position table upside down on 2 x 4's on edge for support and clearance for spindle assembly.

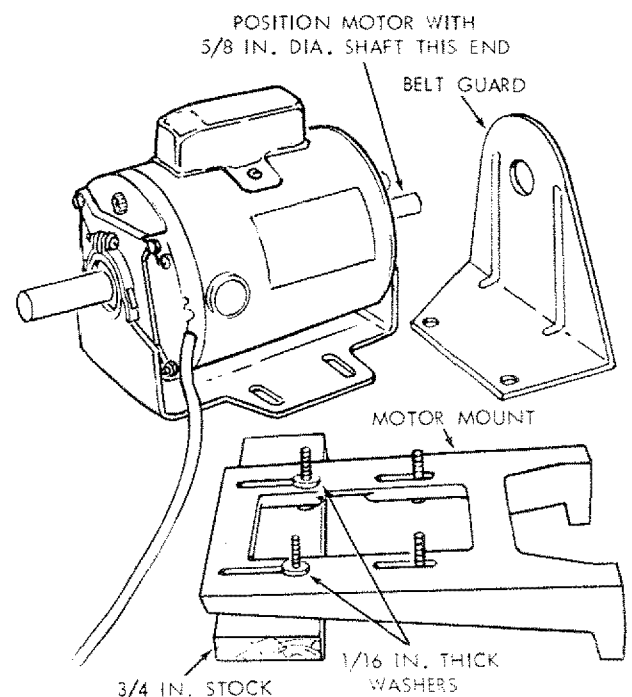
1. Install (3/8-24) jam nut on short threaded end of elevating rod and screw the rod into the threads in the side of spindle assembly.
2. Remove spindle lock knob. Insert the spindle assembly into the table support, position the long angle of the elevating rod straight down and tighten jam nut securely. The angle portion of elevating rod must be parallel with spindle assembly.
3. Install knob on end of elevating rod.
4. Rotate the set screw into the table support, while moving the elevating rod back and forth, until the dog point on end of set screw enters the elevating slot in spindle assembly. This can be felt as the set screw and spindle assembly are rotated. Tighten the set screw, then back it off 1/4 turn. This will allow enough clearance for the spindle assembly slot to slide on dog-point end of set screw.
5. Check operation of spindle several times, by moving elevating control lever back and forth in order to make sure it is not binding, yet slides effectively on the dog-point end of screw. Readjust set screw slightly, if required, for smooth operation.
Reinstall spindle lock knob.

6. Position shaper base on table support casting so the three mounting holes are aligned. Install and tighten the three 5/16-18 x 3/4-inch hex-head screws with lock washers.

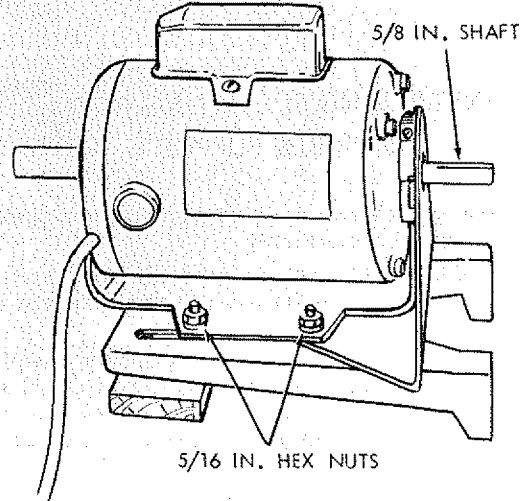


MOUNTING BELT GUARD AND MOTOR TO MOTOR MOUNT

1. Place the motor mount on your workbench.
2. Support rear of motor mount with 3/4" stock as shown.
3. Find four 5/16" x 18 x 1-1/4 carriage bolts, four 5/16-18 hex nuts, and two 21/64 x 3/4 x 1/16 Flat Washers. Position hardware as shown.



- Place Belt Guard under Motor (between Motor Support Bracket and Motor Mount) and make certain 5/8" shaft is centered in Belt Guard hole. Install nuts finger tight.

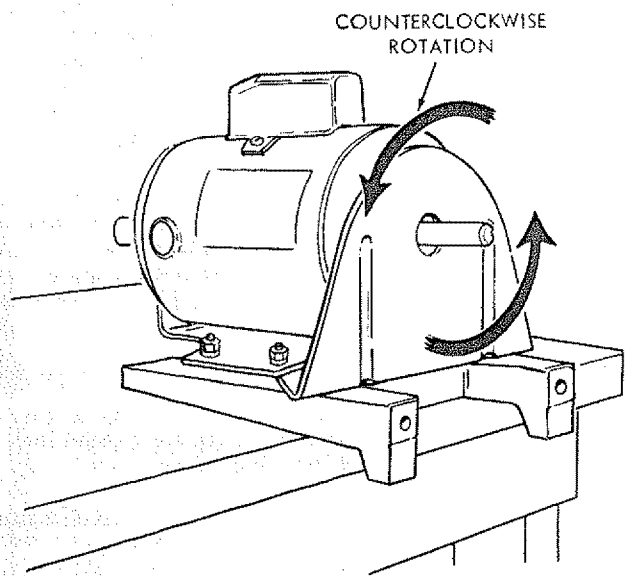


CHECKING MOTOR ROTATION

The motor must rotate COUNTERCLOCKWISE when viewed from the PULLEY end.

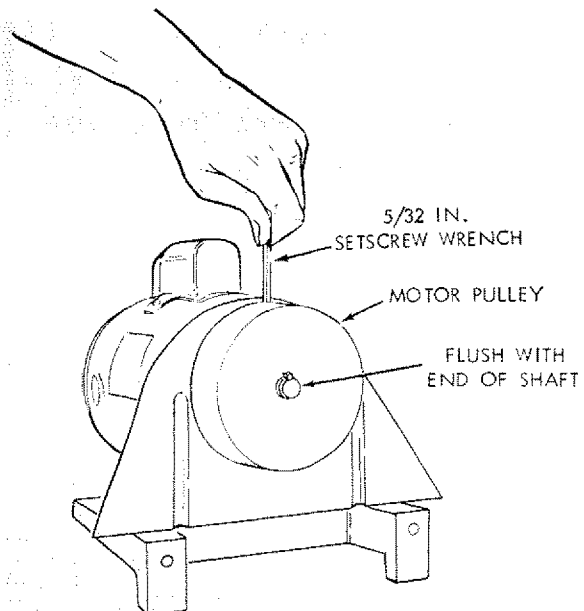
- Place the motor on your workbench or on the floor.
- Stand clear of the motor and plug the cord into a properly grounded outlet (see Page 4). Notice the rotation of the shaft. If it is not turning COUNTERCLOCKWISE, REMOVE the plug from the outlet, and change the rotation of the motor according to the instructions furnished with the motor.

WARNING: FOR YOUR OWN SAFETY, MAKE SURE PLUG IS NOT CONNECTED TO POWER SOURCE OUTLET WHEN CHANGING MOTOR ROTATION.

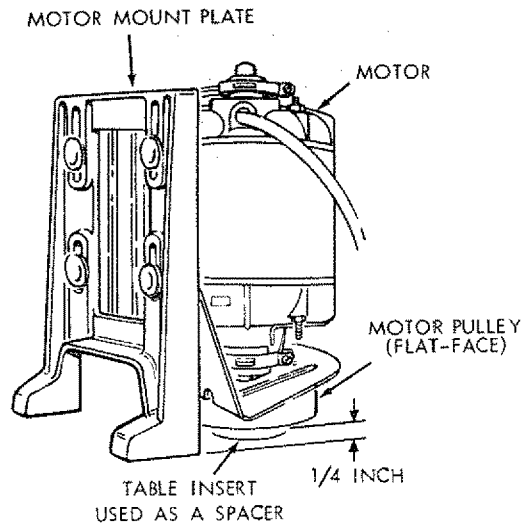


INSTALLING MOTOR PULLEY

- Install motor pulley (flat-faced pulley) on motor shaft, with closed end of pulley facing out. Tighten pulley set screw securely.

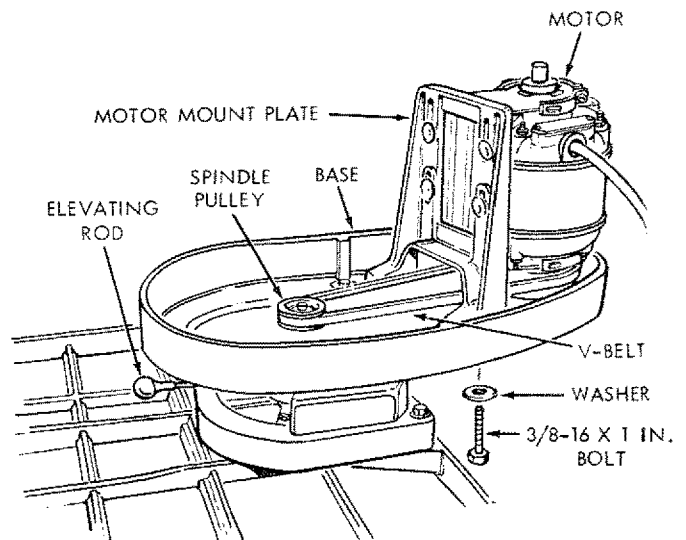


- Using table insert as a spacer, position motor on motor mount plate to provide a distance of 1/4-inch from mounting edge of motor mount plate as shown. Tighten the four motor mount bolts securely and recheck for correct positioning.



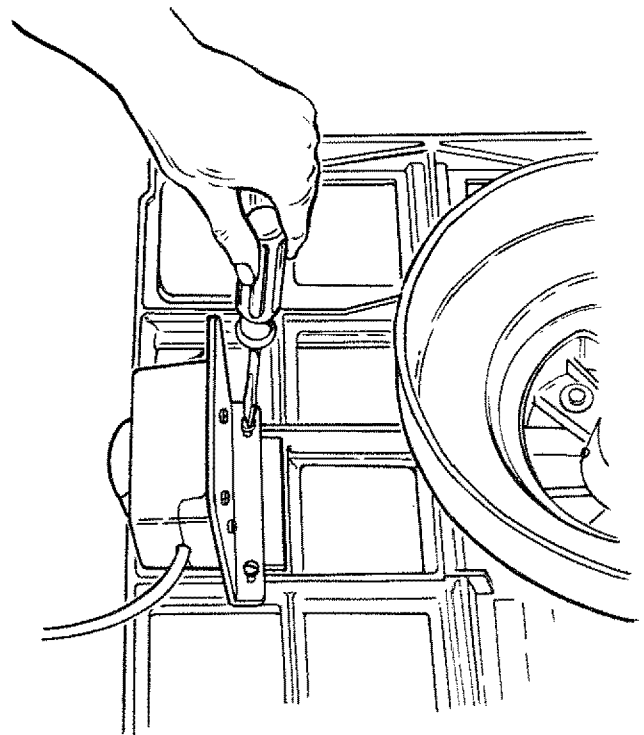
MOUNTING MOTOR SUPPORT ASSEMBLY TO SHAPER

- Place V-belt on motor pulley and attach motor mount plate to shaper base with two bolts (3/8-16 x 1-inch) and washers. Leave bolts finger tight.
- Roll the belt onto spindle pulley, pull motor mount plate toward end of base until belt is tight enough to prevent slipping and tighten the two bolts. Each bolt should be in approximately the same position in the base slots.
- Position elevating rod in approximate mid position and turn spindle pulley by hand several times to see that the belt rides in the approximate mid position of motor pulley. If not, recheck assembly. The belt should change positions on motor pulley as the lever position is changed (while the spindle pulley is rotated by hand).



MOUNTING SWITCH ASSEMBLY

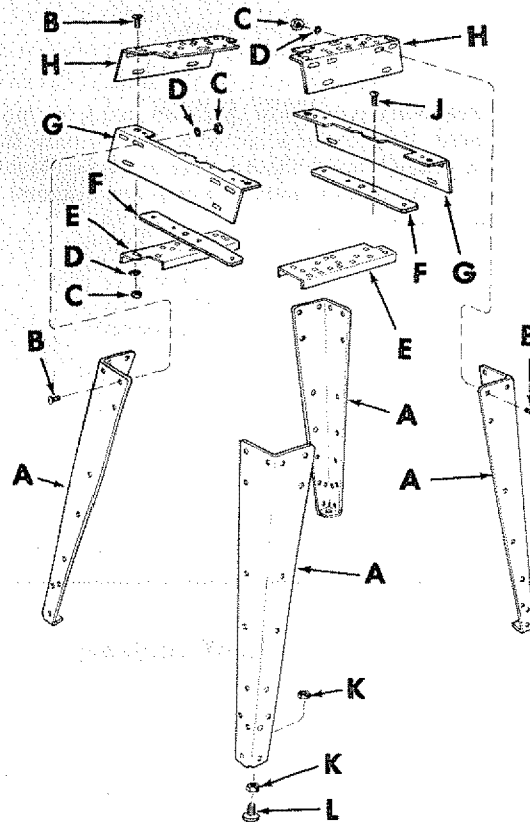
- Attach the switch assembly to the underside of the Shaper table using the two screws and lockwashers packed with the switch.



ASSEMBLING STEEL LEGS
(Supplied with 113.239291 only)

1. Assemble the two (2) End Stiffeners and the two (2) Side Stiffeners using four (4) 1/4-20 Truss head screws. The End Stiffeners are placed on top of each Side Stiffener as shown. Insert screws through the 9/32 inch diameter holes and finger tighten 1/4-20 nuts.
2. Attach the four (4) legs to the side and End Stiffener using 1/4-20 screws, lockwashers and nuts as shown.
3. Remove the four (4) Truss head screws which were assembled in Paragraph No. One. Place the two (2) Support Channels as shown, in position, align holes in supports with holes in the side Stiffeners, replace lockwashers and nuts. Tighten all nuts using 7/16" wrench.
4. The two (2) Stiffeners, (F) are fastened to the top side of each side stiffener using N8 x 1/2 self-threading screws. The guard plate is mounted as shown using same screws.
5. Install leveling feet as shown. To level Leg Set, loosen nut on inside of leg and turn nut on outside to raise or lower feet. Adjust all four levelers, if necessary, and then tighten nuts on inside of leg.

NOTE: These levelers are not intended for height adjustment.



Item	Part Name	Qty.
A	Leg	4
B	• Screw, Truss Hd. 1/4-20 x 5/8	28
C	• Nut, Hex 1/4-20	28
D	Lockwasher, 1/4 External	28
E	Channel, Support	2
F	Stiffener	2
G	Stiffener, Side	2
H	Stiffener, End	2
J	• Screw, Pan Hd. Ty. A N8 x 1/2	4
K	• Nut, Hex Hd. 1/2-13	8
L	• Foot, Leveling	4

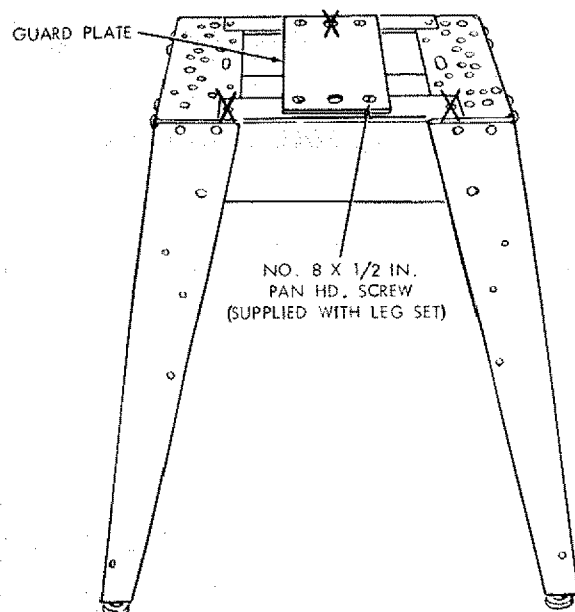
• These parts contained in Loose Parts Bag No. 72031.

MOUNTING WOOD SHAPER ON FLOOR STAND

1. Three mounting holes are provided in the base of the shaper for the purpose of mounting it securely on a substantial tool stand with screws or bolts.
2. The tool stand should be high enough so the top surface of the shaper table will be 35 to 37 inches above the floor. The shaper must be mounted to allow the motor to overhang rear edge of tool stand.

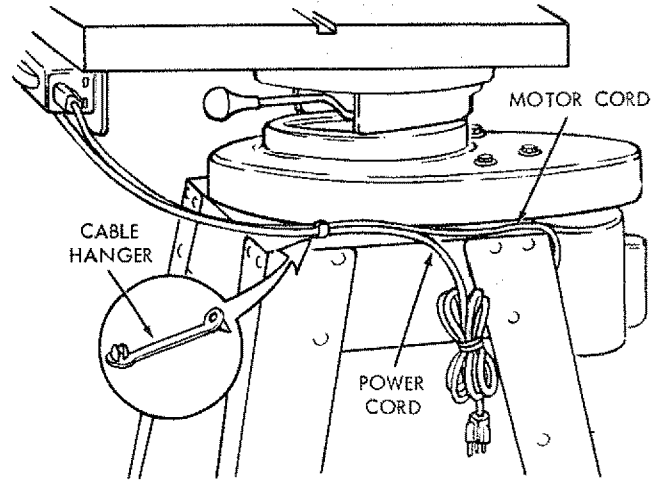
CAUTION: The shaper must be mounted on a substantial tool stand and secured so there is no possibility of tipping. The Shaper must be positioned on the tool stand so that the spindle pulley is guarded from the bottom.

Place the Shaper on the Steel LEGS. Position as shown, and align mounting holes. Secure with 3 ea. 5/16" x 18 x 3" screws; washers and nuts.



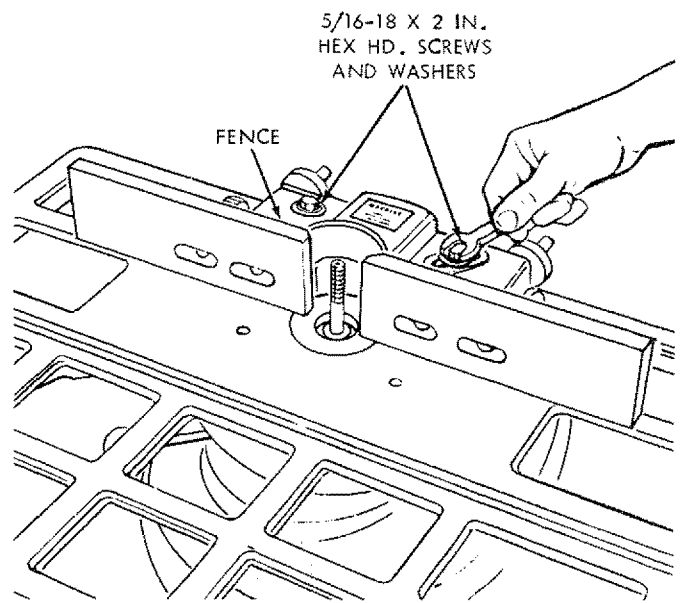
PLUGGING IN MOTOR

1. Find plastic cable hanger from among the loose parts.
2. Route the motor cord behind the motor mount, across the top of the Leg Set and plug it into the receptacle in the side of the switch box.
3. Bring the power cord alongside the motor cord . . . wrap the plastic cable hanger around the cords and attach the hanger to the top of the Leg Set.



INSTALLING SHAPER FENCE — FOR STRAIGHT EDGE SHAPING ONLY

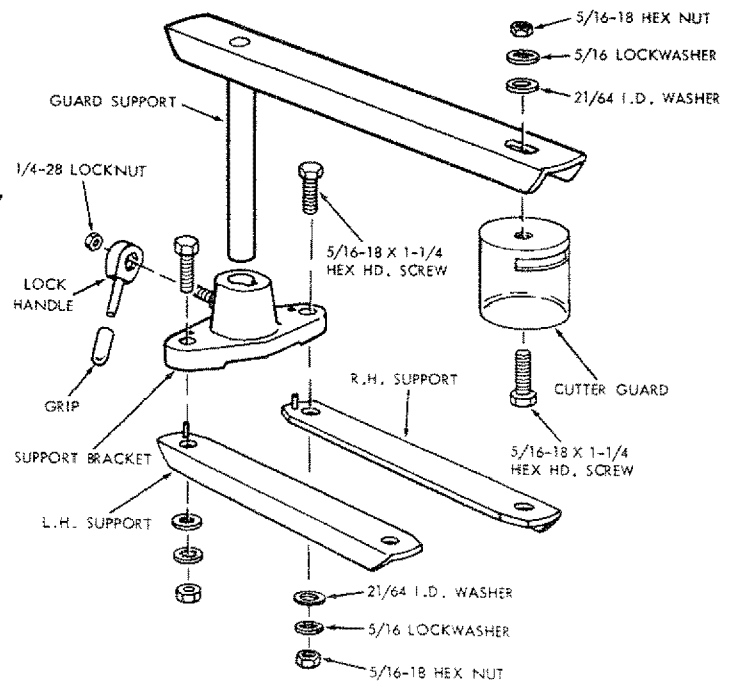
1. Install the fence with two 5/16-18 x 2 inch hex head screws and two plain washers. These screws thread into tapped holes in the table. Adjust the fence as outlined on page 13.



INSTALLING SHAPER CUTTER GUARD — FOR CURVED OR IRREGULAR SHAPING ONLY

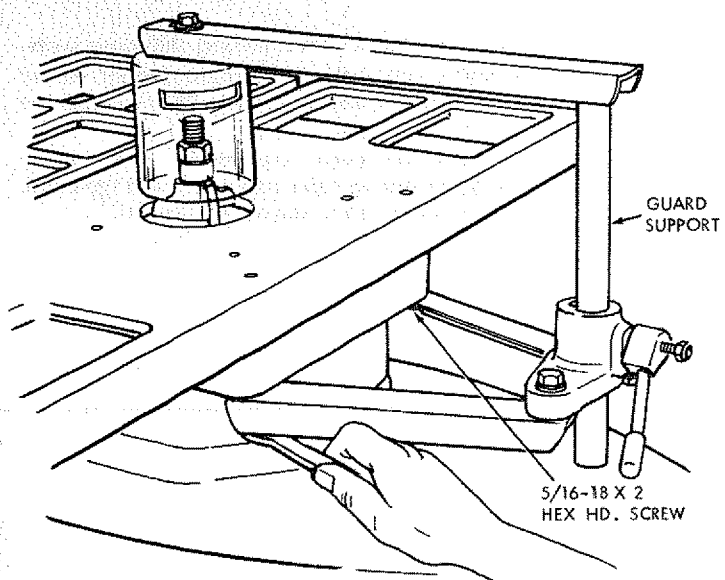
NOTE: Fence must be removed.

1. Assemble Cutter Guard as illustrated.

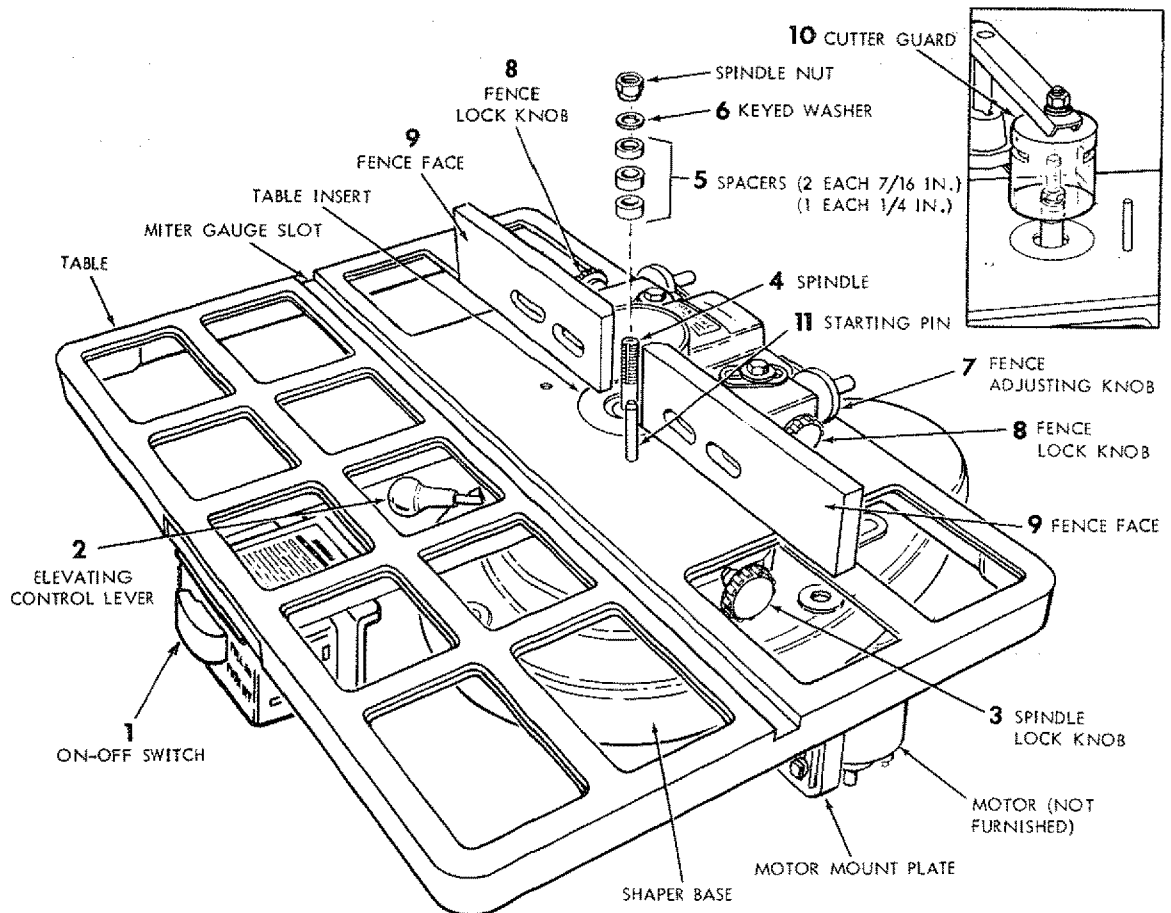


Align the guard support so that it is centered on the shaper spindle (It may be necessary to loosen the 5/16-18 screws which secure the support bracket to the channels to perform this adjustment). After the alignment is achieved tighten all four screws securely.

Install Cutter Guard Assembly to table support using the two 5/16-18 x 2 inch hex head screws located at rear of table support.



GETTING TO KNOW YOUR WOOD SHAPER



CAUTION: All set-up and operational instructions that follow (for the Shaper) relate to and require counterclockwise rotation of the spindle.

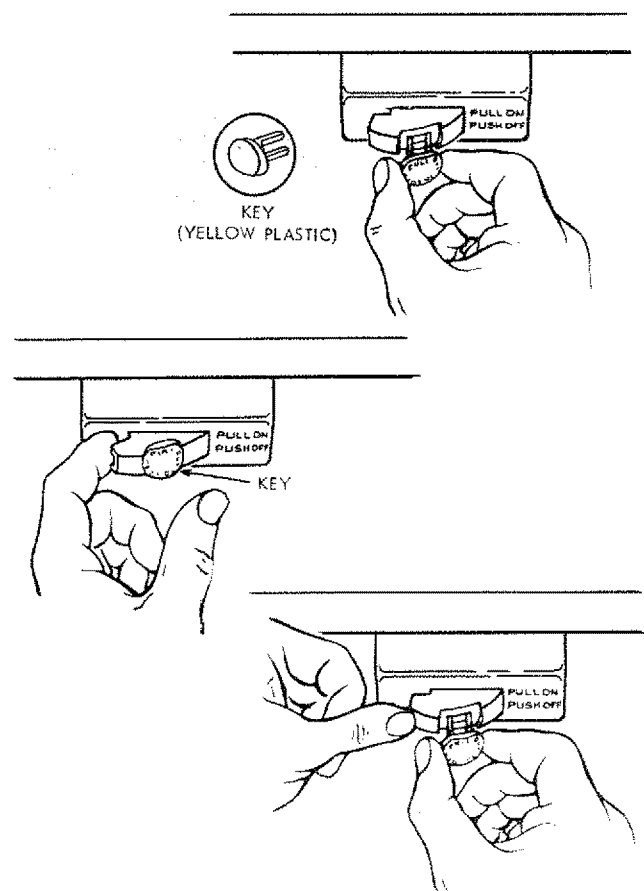
1. ON-OFF SWITCH

CAUTION: Before turning switch on, make sure the cutter is installed properly and the keyed washer is positioned below the spindle nut.

The On-Off Switch has a locking feature. **THIS FEATURE IS INTENDED TO PREVENT UNAUTHORIZED AND POSSIBLE HAZARDOUS USE BY CHILDREN AND OTHERS.**

- a. TO turn Shaper ON . . . insert finger under switch lever and pull END of lever out.
After turning switch ON, always allow the cutter to come up to full speed before cutting.
Do not cycle the motor switch on and off rapidly, as this may cause the cutter to loosen. In the event this should ever occur, allow the cutter to come to a complete stop and retighten the spindle nut normally, not excessively. Never leave the shaper while the power is "ON".
- b. TO turn shaper OFF . . . PUSH lever in. Never leave the shaper until the cutting tool has come to a complete stop.
- c. TO lock switch in OFF position . . . hold switch IN with one hand . . . REMOVE key with other hand.

ALWAYS LOCK THE SWITCH "OFF" WHEN SHAPER IS NOT IN USE . . . REMOVE KEY AND KEEP IT IN A SAFE PLACE . . . ALSO . . . IN THE EVENT OF A POWER FAILURE (ALL OF YOUR LIGHTS GO OUT) TURN SWITCH OFF . . . LOCK IT AND REMOVE THE KEY. THIS WILL PREVENT THE SHAPER FROM STARTING UP AGAIN WHEN THE POWER COMES BACK ON.



2. ELEVATING CONTROL LEVER

The Elevating Control Lever moves the spindle vertically a distance of 7/8-inch to locate the cutter at the desired vertical position.

3. **SPINDLE LOCK KNOB** — used to lock the spindle and quill assembly after the desired height has been determined.

CAUTION: Always release the quill lock knob before attempting to change the position of spindle and tighten the knob securely before starting operation.

4. **SPINDLE** — This shaper is designed for use with maximum 2-1/2-inch diameter cutters having a 1/2-inch diameter bore.

5. **SPACERS** — A total of three spacers are provided, two 7/16 inch thick and one 1/4 inch thick for positioning the cutter for desired shapes.

6. **KEYED WASHER** — Must always be positioned immediately below the spindle nut.

7. **FENCE ADJUSTING KNOB** — Each fence face may be moved forward or backward by turning the fence adjusting knobs.

8. **FENCE LOCK KNOB** — After the desired fence face position has been selected, the fence is secured by tightening the fence lock knobs.

9. **FENCE FACES** — Each fence may be moved forward or backward by releasing the fence lock knob and turning the fence adjusting knobs. Each fence face operates independently of the other, by means of the adjusting mechanism. After the desired fence position has been selected, it is secured by tightening the fence lock knob. The fence faces will close in from a maximum three-inch opening down to one-inch for small diameter cutters, by loosening the two screws in the front of each face and sliding the face to the desired position. The screws must be tightened securely after each setting.

CAUTION: The opening between inner ends of fence faces should never be larger than required to just clear the particular cutter being used. **ALWAYS ROTATE THE SPINDLE BY HAND BEFORE STARTING THE SHAPER MOTOR TO MAKE SURE CUTTER DOES NOT STRIKE FENCE FACES.**

10. CUTTER GUARD

NOTE: Used for curved or irregular shaping only — fence must be removed and starting pin must be in place on in-feed side.

Provides added protection for irregular shaping. Guard is adjustable for various thickness of material.

CAUTION: Always rotate the spindle by hand before starting the shaper motor to make sure cutter does not strike guard.

11. STARTING PIN

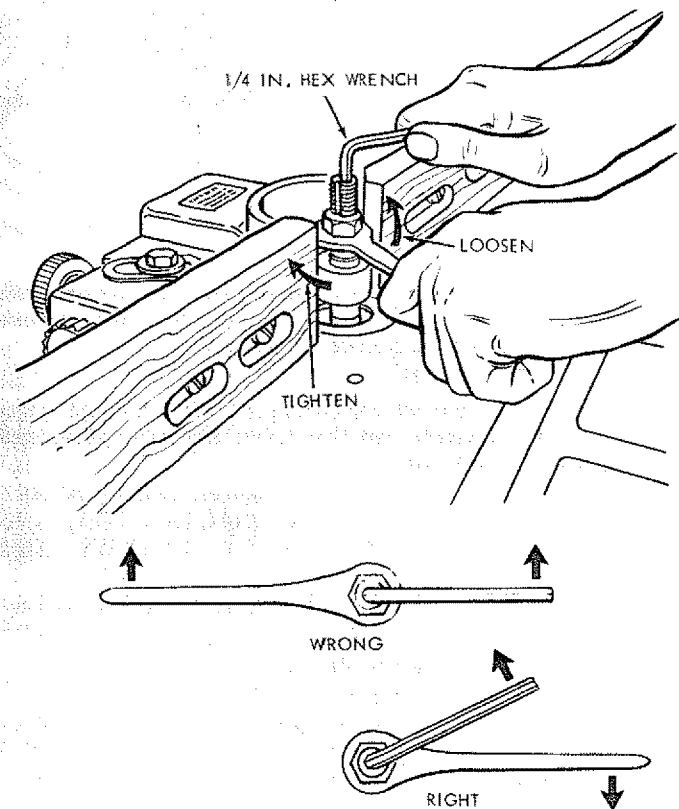
The Starting Pin must be used as a pivot to support the work until it has been fed into the cutter and against the collar. The Starting Pin may be located in either of the two threaded holes near the table insert opening, depending upon the direction of rotation, but **ALWAYS** on the in-feed side.

12. REMOVING AND INSTALLING CUTTERS

- Raise spindle to maximum height
- To **REMOVE** cutter, hold spindle with the 1/4" hex wrench and loosen nut with wrench provided as shown — Reverse procedure to **TIGHTEN SPINDLE NUT.**

NOTE: TO AVOID POSSIBLE BENDING OF THE SPINDLE LOOSEN OR TIGHTEN NUT WITH BOTH WRENCHES POINTING AS NEARLY IN THE SAME DIRECTION AS POSSIBLE.

CAUTION: Always have the keyed washer directly under the nut, otherwise the nut may loosen and serious injury could result.

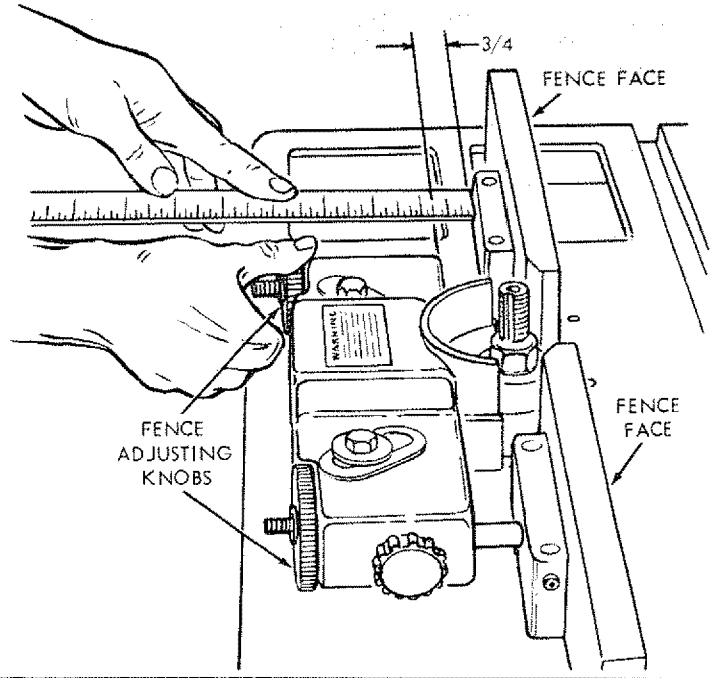


ADJUSTMENTS

WARNING: FOR YOUR OWN SAFETY, TURN SWITCH "OFF" AND REMOVE PLUG FROM POWER SOURCE OUTLET BEFORE MAKING ANY ADJUSTMENTS.

ADJUSTABLE SHAPER FENCE

1. Move both fence faces out $\frac{3}{4}$ " by turning the two fence adjusting knobs.

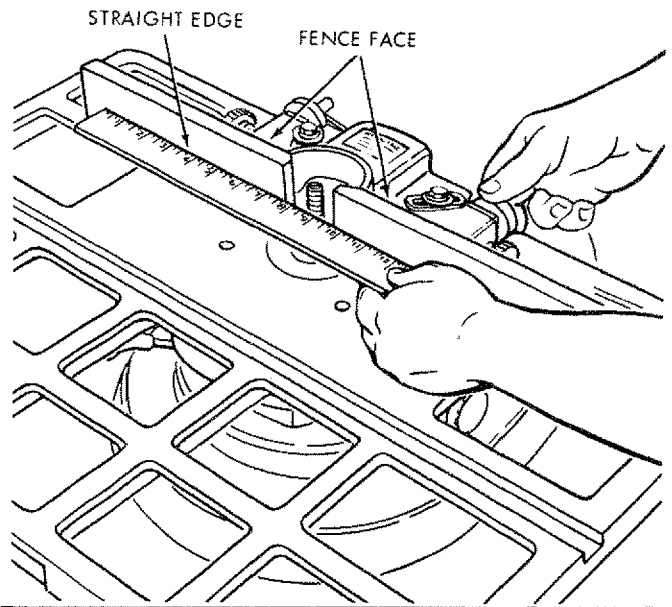


2. Position fence faces in the same plane by using a framing square or straightedge and adjusting the fence adjusting knob.
3. Loosen the fence attaching bolts and shift the complete fence assembly until both fence faces are the same distance from the miter slot.

Tighten fence attaching bolts after fence has been correctly positioned.

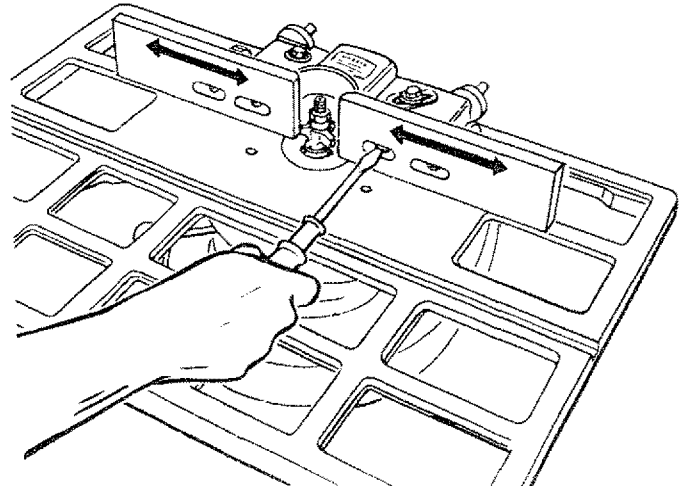
Check this adjustment after tightening bolts to make sure it did not change.

Lock all controls securely after desired settings have been completed.



FENCE FACES

1. Loosen the four (4) screws as shown and slide each fence face in as close to the cutter as possible, but do not permit the cutter to strike fence faces.
2. Set the fence faces so the cutter (Not supplied see Recommended Accessory List) projects far enough beyond them to produce the desired depth of cut. If the cutter is set to remove only a portion of the edge of the work piece, the two fence faces should be set even with each other.



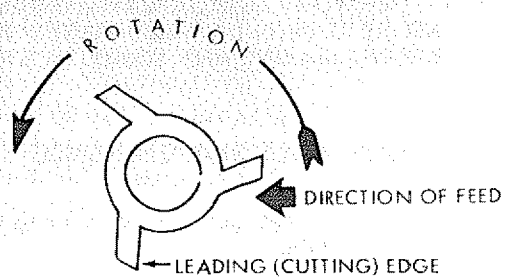
BASIC SHAPING OPERATIONS

NOTE: This shaper is designed for use with maximum 2-1/2-inch diameter cutters having a 1/2-inch diameter bore.

CAUTION: ALL OPERATIONAL INSTRUCTIONS THAT FOLLOW RELATE TO AND REQUIRE COUNTERCLOCKWISE ROTATION OF THE SPINDLE.

1. Some shaper operators prefer to use a motor that rotates clockwise (facing pulley end) which would drive the spindle in a clockwise direction. With this combination, the work would be fed into the cutter from the left-hand side of the table. In most cases, the cutter would have to be turned over.
2. Always remember (when mounting the cutter) that the cutting edge of cutter must lead into the direction of rotation.

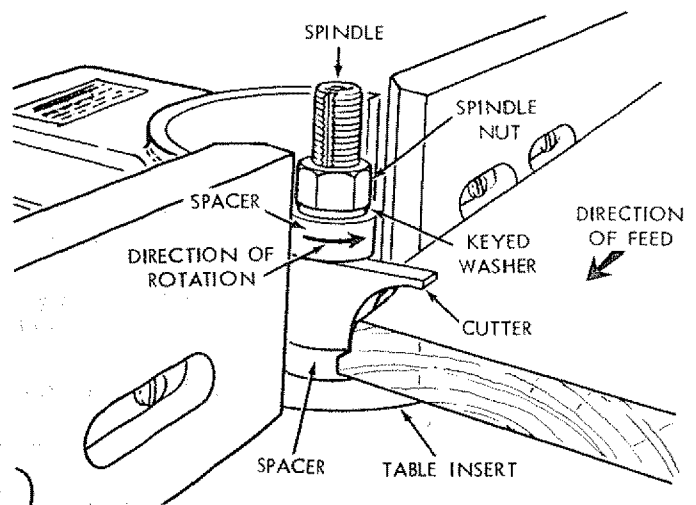
Instructions for reversing the motor rotation are normally found on the motor nameplate, or electrical cover plate. Make sure the plug has been removed from electrical outlet before attempting to reverse rotation.



USE OF CUTTER SPACERS

1. The spacers can be positioned below and above the cutter.

Notice when the spacer is positioned below the cutter how the spacer provides a bearing surface for the uncut edge of the board, in addition to its use as a spacer in vertical positioning of the cutter.



2. This same cutter can be inverted and mounted to produce a shape with the board fed through in the opposite direction IF DIRECTION OF ROTATION OF THE SPINDLE IS REVERSED.

Notice how the spacer again provides a bearing surface for the uncut edge of the board.

3. Cut the workpiece to size, so the shaping cut will be as light as possible to produce the desired pattern.

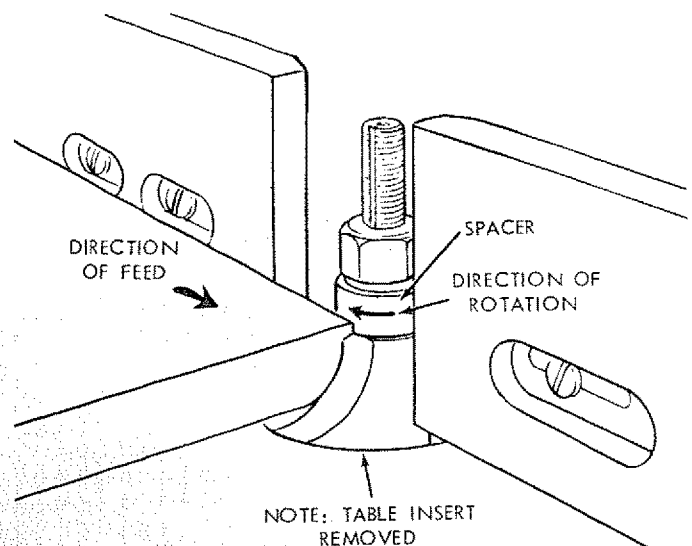
CAUTION: Do not attempt to use the Shaper for sizing a workpiece (except when using the jointer cutter and adjustable fence).

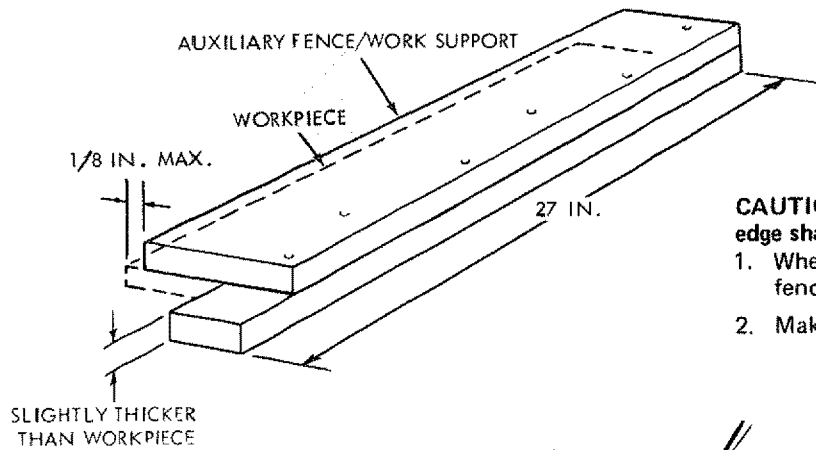
4. Feed workpiece against rotation of cutter.

NOTE: It is a very good practice to make a trial cut on a piece of scrap wood as a double check on the set-up before using the actual workpiece.

CAUTION: Serious injury may result if workpiece is not always fed into the cutter against the direction of rotation of the cutter. Use a smooth even pressure. Experience will soon reveal the best rate of feed for producing the smoothest cut.

5. If the cut removes material over the entire edge, thus reducing the width of the workpiece, set the out-feed fence in front of (toward the operator) the in-feed face enough to provide a contact surface for the work after it passes the cutter. This setting is necessary to properly support the workpiece.

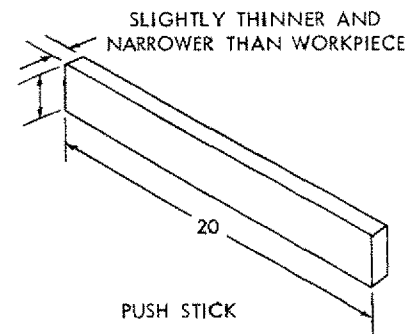
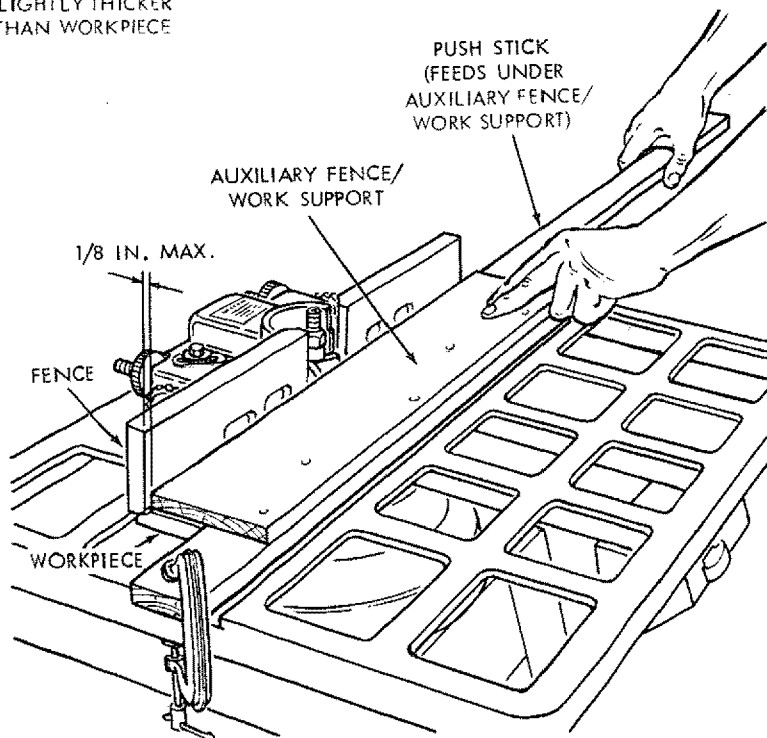




STRAIGHT EDGE SHAPING

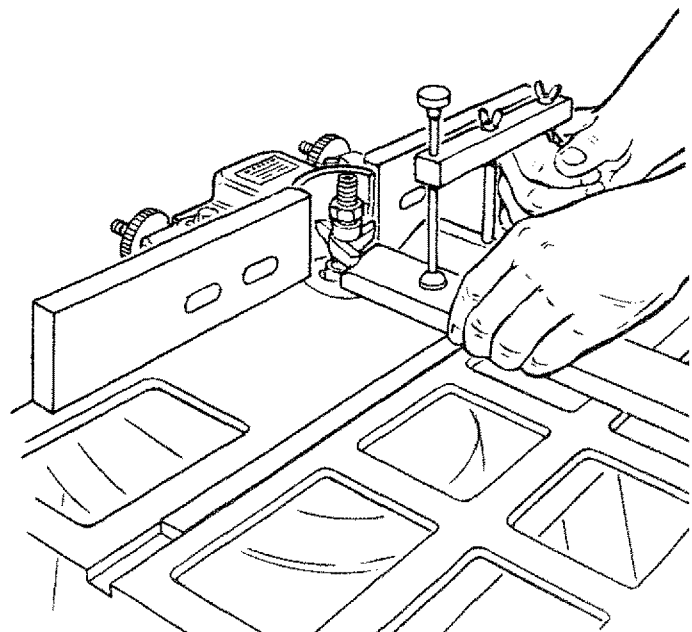
CAUTION: The Shaper fence must be used in all straight edge shaping operations.

1. When shaping stock 3 inches wide or less, an auxiliary fence/work support must be used as shown.
2. Make the push stick as shown.



END SHAPING WITH USE OF MITER GAUGE AND HOLD-DOWN CLAMP (OPTIONAL ACCESSORIES)

1. NEVER use the Miter Gauge on the Shaper without the Hold-down Clamp installed and the workpiece clamped.
2. Both fence faces MUST be positioned so the workpiece cannot contact them.
3. Adjust the head of the miter gauge so the end of the workpiece to be shaped will be exactly parallel to the miter gauge slot in the table. This holds true for all angles of the end of the workpiece.
4. The board is positioned in the miter gauge; then hold the workpiece firmly against the miter gauge head and down on the table with your left hand, and feed by gripping the lock handle with your right hand.

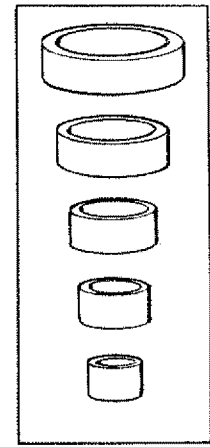
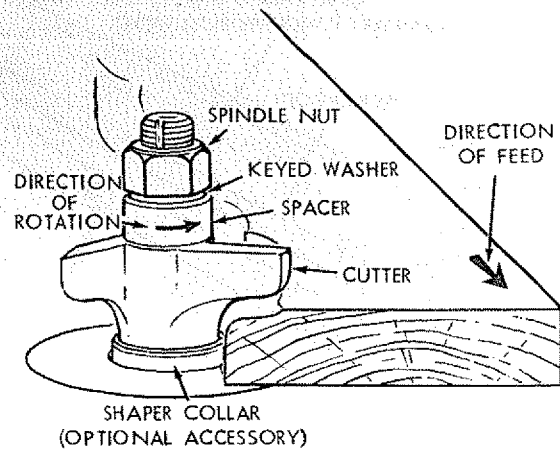


IRREGULAR OR CURVED SHAPING

A variety of shapes may be produced with the shaper by changing the the height of cutter in relation to the workpiece, by using various combinations of cutters on successive passes, and/or by inverting cutter and changing direction of spindle rotation and feed direction. The table insert must be removed if the cutter does not clear the hole in the insert when the cutter is lowered below the table surface: check clearance before turning switch "ON":

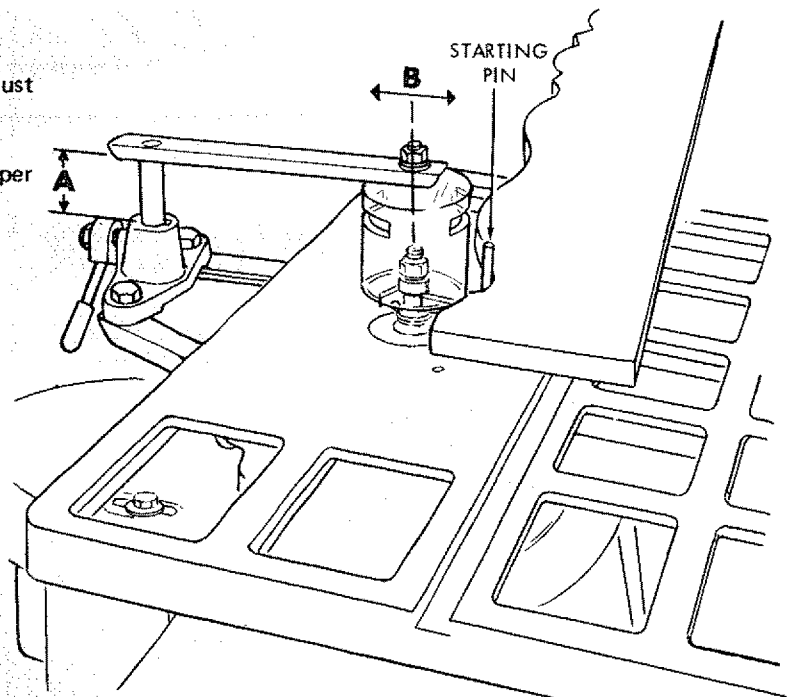
1. To make irregular shaping cuts remove power cable from electrical source, remove the fence assembly, select the shaper collar that will position the cutter to obtain the desired pattern, and lock the shaper collar and cutter on the spindle.

NOTE: A shaper collar may be located above or below a cutter, or between the two cutters selected.



SHAPER COLLAR SET
(OPTIONAL ACCESSORY)

2. Mount the cutter guard and adjust as shown.
Position the Guard vertically (A) (Guard should just clear workpiece)
Center the Guard over the cutter. (B)
NOTE: Rotate cutter by hand and check for proper clearance inside guard.



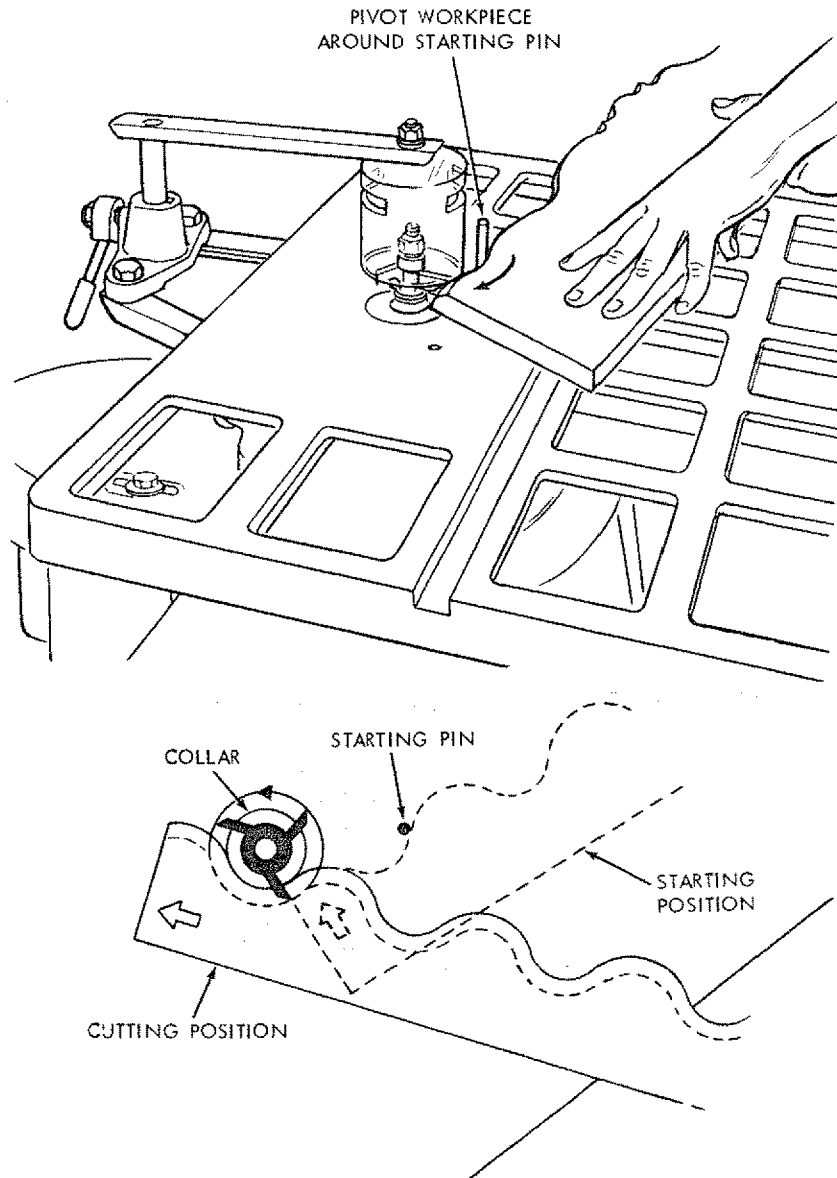
3. The starting pin must be used as a pivot to support the work until it has been fed into the shaper collar. The Starting Pin may be located in either of the two threaded holes near the table insert opening, depending upon the direction of rotation, but always on the in-feed side.
4. Start the workpiece by pivoting it around the starting pin slowly into the path of the cutter until the workpiece contacts the shaper collar.

WARNING: DO NOT ATTEMPT TO SHAPE WARPED LUMBER.

Workpiece **MUST** contact the **FRONT** of the cutter and collar – toward the miter gauge slot.

5. In addition, the following operations are some which can be performed on the shaper – shaping with a pattern, tongue and groove joints, rearing and fluting, etc. ("Power Tool Know How" Handbooks are available) See Recommended Accessories list.

NOTE: After a few hours of operation, tighten both pulley set screws securely with the Hex wrenches provided.



MAINTENANCE

WARNING: FOR YOUR OWN SAFETY, TURN SWITCH "OFF" AND REMOVE PLUG FROM POWER SOURCE OUTLET BEFORE MAINTAINING OR LUBRICATING YOUR SAW.

NOTE: After a few hours of operation, tighten both pulley set screws securely with the Hex wrenches provided.

Frequently clean your cutting tools with Craftsman Gum and Pitch Remover.

A coat of automobile-type wax applied to the table will help to keep the surface clean and allow workpieces to slide more freely.

If the power cord is worn or cut, or damaged in any way, have it replaced immediately.

LUBRICATION

The ball bearings used on the cutter spindle have been packed with lubricant at the factory and require no further attention.

To maintain smooth and easy operation, occasionally add a few drops of oil to the outside of the spindle assembly.

RECOMMENDED ACCESSORIES

IN CANADA, SEE YOUR LOCAL SIMPSONS-SEARS STORE
OR CATALOG FOR ACCESSORY SELECTION AND NUMBERS

ITEM	CAT. NO.	ITEM	CAT. NO.
Floor Base	9-22213	Miter Gauge	9-29929
Steel Legs	9-22236	Miter Gauge Hold Down	9-29928
Casters	9-22222, 9-22221	"Power Tool Know How" handbooks	
Shaper Collar Set	9-23672	Table Saw	9-2918
Shaper Cutters	See Catalog	Radial Saw	9-2917
Push Blocks	9-2299	Universal Jig	9-3231
Motor W/Reversing Switch	9-1269		

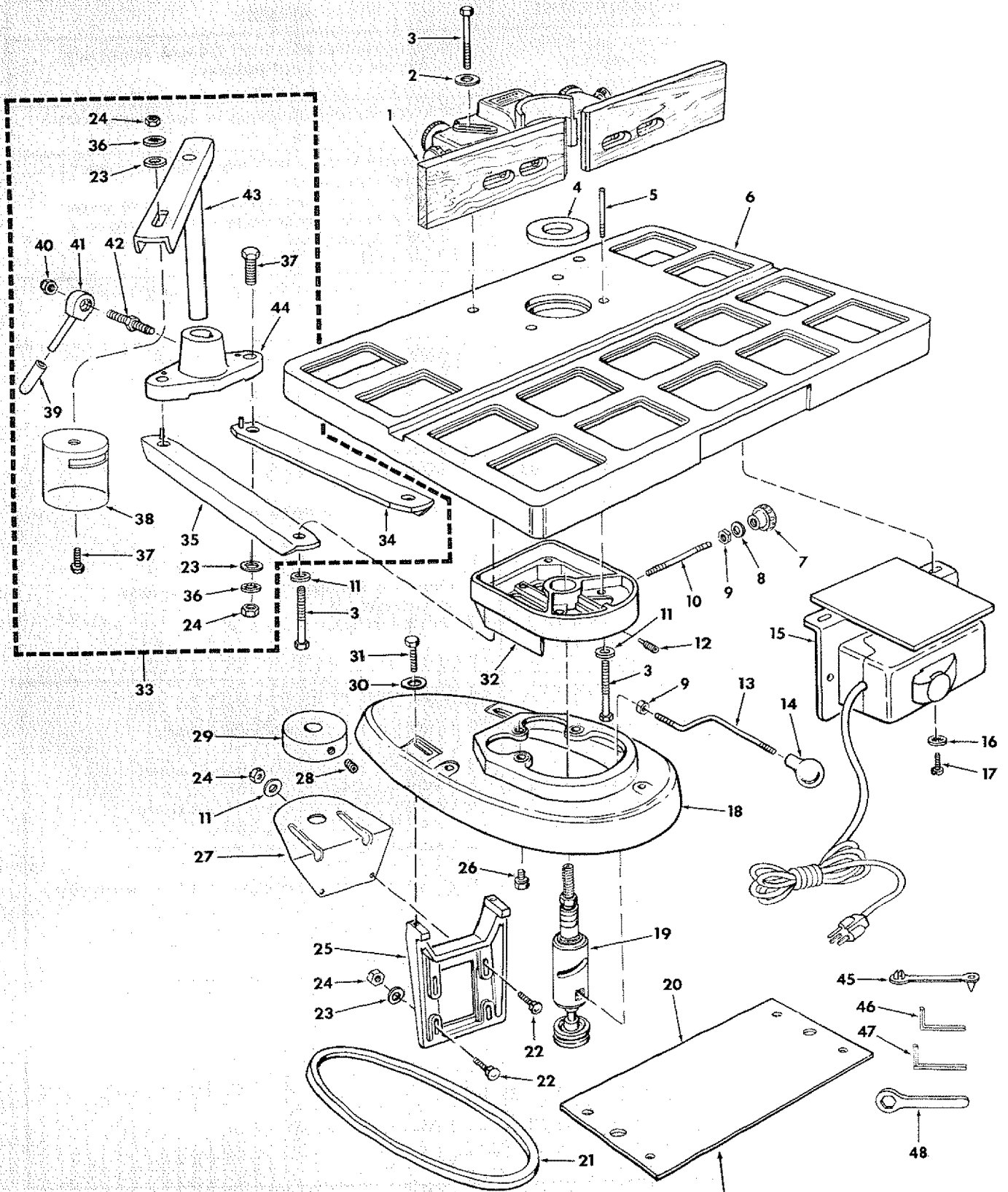
The above recommended accessories are current and were available at the time this manual was printed.

TROUBLE SHOOTING

TROUBLE	PROBABLE CAUSE	REMEDY
Spindle Assembly actuates too hard.	Set screw engaging slot in spindle assembly too tight.	Tighten screw then back it off 1/4 turn. Adjust until action is smooth without end play.
Cutter comes loose during operation.	Keyed washer not properly installed.	The keyed washer must always be used directly under the nut.
Cutter slow down during operation.	<ol style="list-style-type: none"> 1. Work being fed too rapidly. 2. Insufficient belt tension. 3. Glazed belt 	<ol style="list-style-type: none"> 1. Feed work through more slowly to allow cutter to remove stock smoothly. 2. Loosen motor mount plate bolts and move motor slightly toward rear of shaper until belt tension is correct, tighten bolts. 3. Replace belt.
Binding of Fence Boards when adjusting in or out.	Bottoms of fence faces striking table.	Loosen the two screws through front of face, raise it slightly and tighten screws.
Shaper produces ragged or rippel cuts.	<ol style="list-style-type: none"> 1. Work piece not being held firmly against fence and/or table. 2. Interrupted feed past cutter. 3. Dull cutter. 4. Belt slipping – causing cutter speed to vary. 5. Cutter blades not concentric. (Blade segments have uneven lengths.) 6. Work being fed too rapidly. 7. Quality of wood not sufficient to produce desired results. 	<ol style="list-style-type: none"> 1. Apply sufficient hand pressure in both directions or revise Auxiliary Fence/Work Support (pg. 15) accordingly. 2. Maintain continuous feed. 3. Sharpen or replace cutter 4. Adjust belt for proper tension. 5. Replace or resharpen cutter. 6. Feed work through slow enough to produce smooth cut. 7. Use a better grade of material.
Shaper produces a smooth cut, but does not hold a straight edge.	<ol style="list-style-type: none"> 1. Fence faces improperly set. 2. Spindle Assembly lock knob not tight. 3. Workpiece not held snugly against fence. 4. Work piece not held snugly against table. 5. Work being fed to rapidly. 6. Attempting to remove more material than required to produce desired shape. 7. Fence loose on table. 	<ol style="list-style-type: none"> 1. Adjust fence faces. 2. Tighten spindle assembly lock knob. 3. Increase hand pressure or revise Auxiliary Fence/Work Support (pg. 15). 4. Increase hand pressure or revise Auxiliary Fence/Work Support (pg. 15). 5. Feed work through more slowly. 6. Joint workpiece to proper width before shaping edge. 7. Tighten fence.
Shape varies across width of board.	<ol style="list-style-type: none"> 1. Work not held securely to miter gauge and/or to table. 2. End of workpiece not parallel with miter gauge slot. 3. End to be shaped is wavy (not straight). 	<ol style="list-style-type: none"> 1. Hold work firmly against miter gauge and down on the table. 2. Adjust miter gauge. 3. Resaw and/or joint as necessary.

REPAIR PARTS

PARTS LIST FOR CRAFTSMAN WOOD SHAPER
MODEL No. 113.239201 & 113.239291



(used with 9-22236 Steel Leg Set)

**PARTS LIST FOR CRAFTSMAN WOOD SHAPER
MODEL No. 113.239201 & 113.239291**

FIGURE 1

Key No.	Part No.	Description
1	72008	Fence Assembly (See Figure 2)
2	60167	Washer, .343 x 1.062 x 1/8
3	STD 523120	*Screw, Hex Hd. 5/16-18 x 2
4	39411	Insert, Table
5	39613	Pin, Table Dowel
6	39290	Table (Includes Nameplate)
7	39512	Knob, Lock
8	STD 551037	*Washer, 13/32 x 47/64 x 1/16
9	STD 541137	*Nut, Hex. Jam, 3/8-24
10	39629	Stud, Lock
11	60437	*Washer, 21/64 x 7/8 x 1/8
12	38799	Screw, Set, 3/8-24 x 3/4 Dog Pt.
13	39628	Rod, Elevating
14	38546	Knob
15	-----	Switch Box Assembly (See Figure 4)
16	STD 551210	*Lockwasher, Internal No. 10
17	STD 511105	*Screw, Pan Hd. 10-32 x 1/2
18	39215	Base
19	-----	Spindle Assembly (See Figure 5)
20	72014	Plate, Guard
21	STD 304330	*Belt, V, 1/2 x 33
22	STD 533112	*Bolt, Carriage 5/16-18 x 1-1/4
23	STD 551031	*Washer 21/64
24	STD 541231	*Nut, Hex 5/16-18
25	39217	Mount, Motor
26	453068	Screw, Mach., 5/16-18 x 3/4, Hex. Hd. w/Lockwasher

Key No.	Part No.	Description
27	72003	Guard, Pulley
28	STD 503102	*Screw, Set 5/16-18 x 5/16, Soc. Hd. Cup Pt.
29	39230	Pulley, Motor, (w/Set Screw)
30	STD 551037	Washer, 25/64 x 1-9/64 x 7/64
31	STD 523710	*Screw, Hex Hd. 3/8-16 x 1
32	39216	Support Table
33	72027	Guard, Asm. Cutter
34	72024	Support Assembly, R.H.
35	72025	Support Assembly, L.H.
36	STD 551231	*Lockwasher, Internal 5/16
37	STD 523112	Screw, Hex Hd. 5/16 x 18 x 1-1/4
38	72005	Guard, Cutter
39	60262	Grip
40	STD 541525	*Nut, Lock 1/4-28
41	70007	Hub Asm. Lock (Includes Key No. 39)
42	56634	Stud, Nut
43	72026	Arm, Guard
44	72023	Holder, Guard
45	68036	Hanger, Cable
46	37435	*Wrench, Hex., 1/4
47	37837	*Wrench, Hex., 5/32
48	38713	Wrench
—	72022	Bag Asm. Loose Parts (not illustrated)
—	72033	Owners Manual (not illustrated)

*Standard Hardware Items — May be Purchased Locally.

**PARTS LIST FOR CRAFTSMAN WOOD SHAPER
MODEL No. 113.239201 & 113.239291**

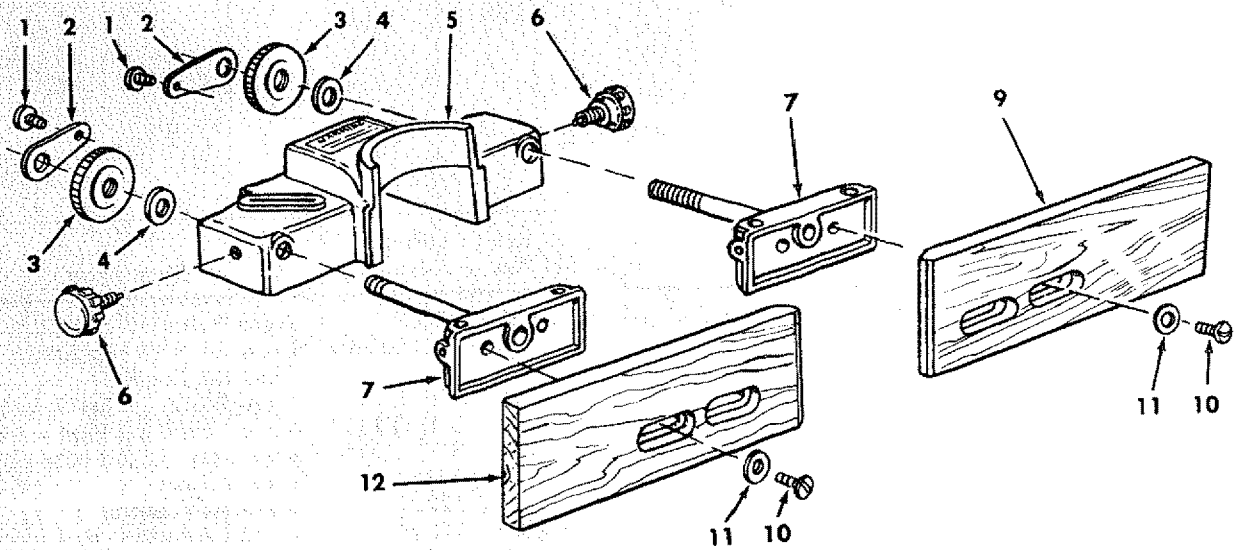


FIGURE 2 – FENCE ASSEMBLY 72008

Key No.	Part No.	Description
—	72008	Fence Assembly Complete
1	STD 511005	*Screw, Pan Hd., 10-24 x 1/2
2	38711	Bracket, Retaining
3	38612	Knob, Adjusting
4	18451	Washer, Spring
5	38413	Frame
6	38531	Knob
7	38110	Shoe Assy., Fence
9	38533	Plate, Work Face (Right)
10	STD 512507	*Screw, Pan Hd., 1/4-20 x 3/4
11	STD 551012	*Washer, Plain, 1/4
12	38532	Plate, Work Face (Left)

*Standard Hardware Item — May be Purchased Locally.

**PARTS LIST FOR CRAFTSMAN WOOD SHAPER
MODEL No. 113.239201 & 113.239291**

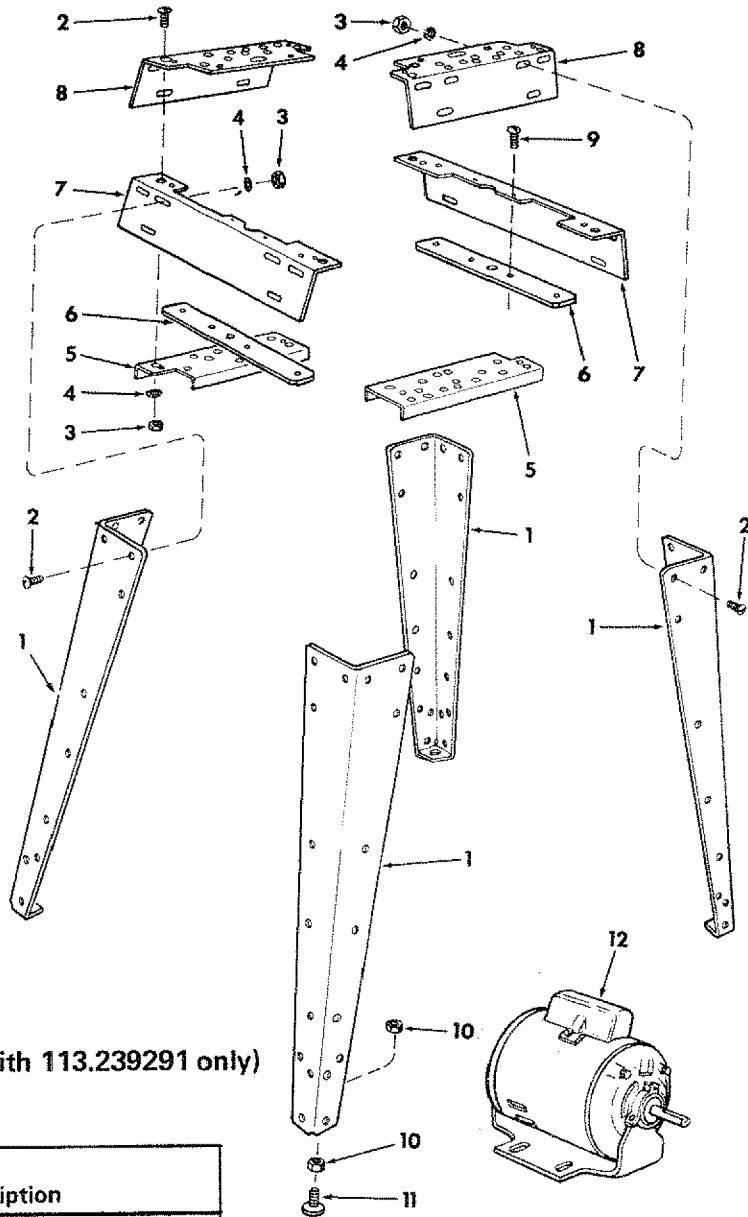


FIGURE 3 – LEGS (Supplied with 113.239291 only)

Key No.	Part No.	Description
1	62614	Leg
2	60314	• Screw, Truss Hd. 1/4-20 x 5/8
3	STD541025	•* Nut, Hex 1/4-20
4	STD551225	•* Lockwasher, 1/4 External
5	68060	Channel, Support
6	72030	Stiffener
7	68059	Stiffener, Side
8	62615	Stiffener, End
9	STD610805	•* Screw, Pan Hd. Ty. A N8 x 1/2
10	STD541050	•* Nut, Hex Hd. 1/2-13
11	803835	• Foot, Leveling
12	72029	† Motor

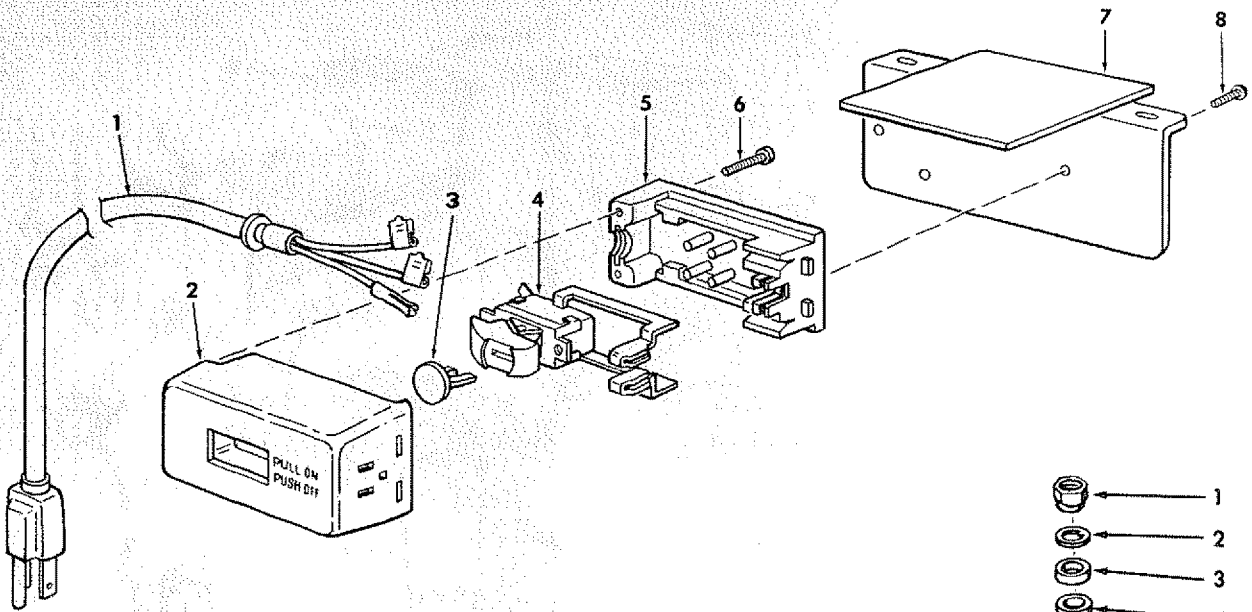
HARDWARE FOR MOUNTING TOOL		
—	STD523130	• Screw, Hex Hd. 5/16-18 x 3
—	STD551131	•* Lockwasher, 5/16 External
—	STD541231	* Nut, Hex Jam 5/16-18
—	STD551031	* Washer, 11/32 ID

* Standard Hardware Item – May be purchased locally.

† Stock Item – May be secured through the Hardware Department of most Sears Retail Stores or Catalog Order Houses.

• These parts contained in Loose Parts Bag No. 72031.

**PARTS LIST FOR CRAFTSMAN WOOD SHAPER
MODEL No. 113.239201 & 113.239291**



**FIGURE 4 –
ON/OFF POWER OUTLET 60382
AND MOUNTING BRACKET**

Key No.	Part No.	Description
—	60382	• On/Off Power Outlet
1	60375	Cord, Molded
2	60378	Housing, Switch
3	60256	Key, Switch
4	60374	Switch, Locking
5	60376	Cover, Switch
6	448007	Screw, Pan Hd. No. 6 x 3/4
7	72034	Bracket, Switch Mounting
8	STD600803	*Screw, Pan Hd. Plastite No. 8 x 3/8

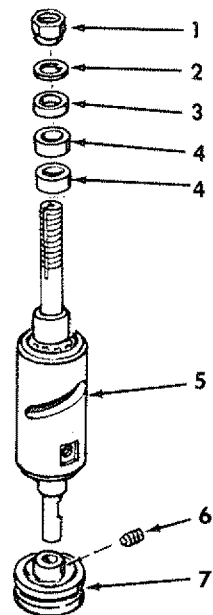


FIGURE 5 – SPINDLE ASSEMBLY*

Key No.	Part No.	Description
—	—	Spindle Assembly Complete
1	39615	Nut, Spindle
2	39711	Washer, Keyed
3	39616	Spacer 1/4
4	39617	Spacer 7/16
5	72007	Spindle Assembly
6	STD 503103	*Screw, Set 5/16-18 x 3/8, Soc. Hd. Cup pt.
7	STD 328011	*Pulley, (w/Set Screw) "V" 2 x 1/2 Bore

*Standard Hardware Item – May be Purchased Locally.

• Does Not Include Key No. 3
Order Separately If Required.

*Standard Hardware Item – May be Purchased Locally.

NOTES



*owners
manual*

SERVICE

**MODEL NO.
113.239201**
SHAPER ONLY

113.239291
SHAPER WITH STEEL
LEGS AND MOTOR

**HOW TO ORDER
REPAIR PARTS**

WOOD SHAPER

Now that you have purchased your wood shaper, should a need ever exist for repair parts or service, simply contact any Sears Service Center and most Sears, Roebuck and Co. stores. Be sure to provide all pertinent facts when you call or visit.

The model number of your wood shaper will be found on a plate attached to your wood shaper on the front of the table.

WHEN ORDERING REPAIR PARTS, ALWAYS GIVE THE FOLLOWING INFORMATION:

PART NUMBER	PART DESCRIPTION
MODEL NUMBER	NAME OF ITEM
113.239201	WOOD SHAPER
113.239291	

All parts listed may be ordered from any Sears Service Center and most Sears stores. If the parts you need are not stocked locally, your order will be electronically transmitted to a Sears Repair Parts Distribution Center for handling.

Sold by SEARS, ROEBUCK AND CO., Chicago, IL. 60684 U.S.A.