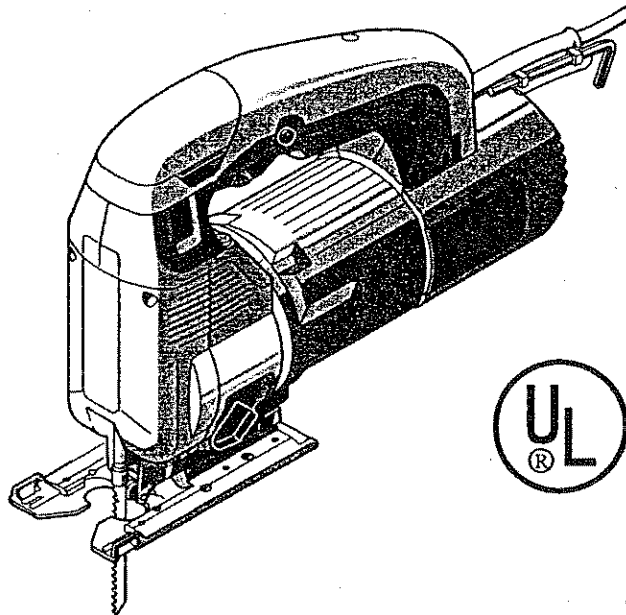


Owner's Manual

CRAFTSMAN.

INDUSTRIAL SABRE SAW

Model No. 130.27719



Caution:

Before using this product,
read this manual and follow
all its Safety Rules and
Operating Instructions.

- Safety
- Operation
- Maintenance
- Parts
- Español

Sears, Roebuck and Co., Hoffman Estates, IL 60179

Table of Contents	Page
Warranty	2
Power Tool Safety Rules	3-5
Symbols	6
Functional Description and Specifications	7
Assembly	8
Operating Instructions	8-10
Tool Tips	10
Maintenance	11
Service Parts	12-13

Sears Warranty
Full One Year Warranty on Craftsman Industrial Sabre Saw

If this Craftsman Industrial Sabre Saw fails to give complete satisfaction within one year from the date of purchase, Sears will replace it free of charge.

If this Industrial Sabre Saw is used for commercial or rental purposes, this warranty applies for only one year from the date of purchase.

Warranty Service

Warranty service is available by returning this Craftsman Industrial Sabre Saw to your nearest Sears Store in the United States.

This warranty applies only while this Industrial Sabre Saw is used in the United States.

This warranty gives you specific legal rights, and you may also have other rights which vary from state to state.

Sears, Roebuck and Co., Dept. 817WA, Hoffman Estates, IL 60179

POWER TOOL SAFETY RULES



WARNING Read and understand all instructions. Failure to follow all instructions listed below, may result in electric shock, fire and/or serious personal injury.

SAVE THESE INSTRUCTIONS

Work Area

Keep your work area clean and well lit. Cluttered benches and dark areas invite accidents.

Do not operate power tools in explosive atmospheres, such as in the presence of flammable liquids, gases, or dust. Power tools create sparks which may ignite the dust or fumes.

Keep by-standers, children, and visitors away while operating a power tool. Distractions can cause you to lose control.

Electrical Safety

Double Insulated tools are equipped with a polarized plug (one blade is wider than the other.) This plug will fit in a polarized outlet only one way. If the plug does not fit fully in the outlet, reverse the plug. If it still does not fit, contact a qualified electrician to install a polarized outlet. Do not change the plug in any way. Double Insulation eliminates the need for the three wire grounded power cord and grounded power supply system. Before plugging in the tool, be certain the outlet voltage supplied is within the voltage marked on the nameplate. Do not use "AC only" rated tools with a DC power supply.

Avoid body contact with grounded surfaces such as pipes, radiators, ranges and refrigerators. There is an increased risk of electric shock if your body is grounded. If operating the power tool in damp locations is unavoidable, a Ground Fault Circuit Interrupter must be used to supply the power to your tool. Electrician's rubber gloves and footwear will further enhance your personal safety.

Don't expose power tools to rain or wet conditions. Water entering a power tool will increase the risk of electric shock.

Do not abuse the cord. Never use the cord to carry the tools or pull the plug from an outlet. Keep cord away from heat, oil, sharp edges or moving parts. Replace damaged cords immediately. Damaged cords increase the risk of electric shock.

When operating a power tool outside, use an outdoor extension cord marked "W-A" or "W." These cords are rated for outdoor use and reduce the risk of electric shock. Refer to "Recommended sizes of Extension Cords" in the Accessory section of this manual.

Personal Safety

Stay alert, watch what you are doing and use common sense when operating a power tool. Do not use tool while tired or under the influence of drugs, alcohol, or medication. A moment of inattention while operating power tools may result in serious personal injury.

Dress properly. Do not wear loose clothing or jewelry. Contain long hair. Keep your hair, clothing, and gloves away from moving parts. Loose clothes, jewelry, or long hair can be caught in moving parts. Keep handles dry, clean and free from oil and grease.

Avoid accidental starting. Be sure switch is "OFF" before plugging in. Carrying tools with your finger on the switch or plugging in tools that have the switch "ON" invites accidents.

Remove adjusting keys or wrenches before turning the tool "ON". A wrench or a key that is left attached to a rotating part of the tool may result in personal injury.

Do not overreach. Keep proper footing and balance at all times. Proper footing and balance enables better control of the tool in unexpected situations.

Use safety equipment. Always wear eye protection. Dust mask, non-skid safety shoes, hard hat, or hearing protection must be used for appropriate conditions.

Tool Use and Care

Use clamps or other practical way to secure and support the workpiece to a stable platform. Holding the work by hand or against your body is unstable and may lead to loss of control.

Do not force tool. Use the correct tool for your application. The correct tool will do

the job better and safer at the rate for which it is designed.

Do not use tool if switch does not turn it "ON" or "OFF". Any tool that cannot be controlled with the switch is dangerous and must be repaired.

Disconnect the plug from the power source before making any adjustments, changing accessories, or storing the tool. Such preventive safety measures reduce the risk of starting the tool accidentally. **Store idle tools out of reach of children and other untrained persons.** Tools are dangerous in the hands of untrained users.

Maintain tools with care. Keep cutting tools sharp and clean. Properly maintained tools, with sharp cutting edges are less likely to bind and are easier to control. Any alteration or modification is a misuse and may result in a dangerous condition.

Check for misalignment or binding of moving parts, breakage of parts, and any other condition that may affect the tools operation. If damaged, have the tool serviced before using. Many accidents are

caused by poorly maintained tools. Develop a periodic maintenance schedule for your tool.

Use only accessories that are recommended by the manufacturer for your model. Accessories that may be suitable for one tool, may become hazardous when used on another tool.

Service

Tool service must be performed only by qualified repair personnel. Service or maintenance performed by unqualified personnel could result in a risk of injury. For example: internal wires may be misplaced or pinched, safety guard return springs may be improperly mounted.

When servicing a tool, use only identical replacement parts. Follow instructions in the Maintenance section of this manual. Use of unauthorized parts or failure to follow Maintenance Instructions may create a risk of electric shock or injury. Certain cleaning agents such as gasoline, carbon tetrachloride, ammonia, etc. may damage plastic parts.

SAFETY RULES FOR SABRE SAWS

Hold tool by insulated gripping surfaces when performing an operation where the cutting tool may contact hidden wiring or its own cord. Contact with a "live" wire will make exposed metal parts of the tool "live" and shock the operator. *Do not drill, fasten or break into existing walls or other blind areas where electrical wiring may exist. If this situation is unavoidable, disconnect all fuses or circuit breakers feeding this worksite.*

Never leave the trigger locked "ON". Before plugging the tool in, check that the trigger lock is "OFF". Accidental start-ups could cause injury.

Be aware of the location and setting of the switch "Lock-ON" button. If the switch is locked "ON" during the use, be ready for emergency situations to switch it "OFF", by

first pulling the trigger then immediately releasing it without pressing the "Lock-ON" button.

Keep hands away from cutting area. Do not reach under the material being cut. The proximity of the blade to your hand is hidden from your sight.

Keep hands from between the gear housing and saw blade holder. The reciprocating blade holder can pinch your fingers.

Do not use dull or damaged blades. Bent blade can break easily or cause kickback.

Before starting to cut, turn tool "ON" and allow the blade to come to full speed. Tool can chatter or vibrate if blade speed is too slow at beginning of cut and possibly kickback.

Always wear safety goggles or eye protection when using this tool. Use a dust mask or respirator for applications which generate dust.

Secure material before cutting. Never hold it in your hand or across legs. Small or thin material may flex or vibrate with the blade, causing loss of control.

Make certain all adjusting screws and the blade holder are tight before making a cut. Loose adjusting screws and holders can cause the tool or blade to slip and loss of control may result.

When removing the blade from the tool avoid contact with skin and use proper protective gloves when grasping the blade or accessory. Accessories may be hot after prolonged use.

If your tool is equipped with a dust bag, empty it frequently and after completion of sawing. Spontaneous combustion, may in time, result from mixture of oil or water with dust particles. Be extremely careful of dust

disposal, materials in fine particle form may be explosive. Do not throw contents on an open fire.




Some dust created by power sanding, sawing, grinding, drilling, and other construction activities contains chemicals known to cause cancer, birth defects or other reproductive harm. Some examples of these chemicals are:

- Lead from lead-based paints,
- Crystalline silica from bricks and cement and other masonry products, and
- Arsenic and chromium from chemically-treated lumber.

Your risk from these exposures varies, depending on how often you do this type of work. To reduce your exposure to these chemicals: work in a well ventilated area, and work with approved safety equipment, such as those dust masks that are specially designed to filter out microscopic particles.

SYMBOLS

IMPORTANT: Some of the following symbols may be used on your tool. Please study them and learn their meaning. Proper interpretation of these symbols will allow you to operate the tool better and safer.

Symbol	Name	Designation/Explanation
V	Volts	Voltage (potential)
A	Amperes	Current
Hz	Hertz	Frequency (cycles per second)
W	Watt	Power
kg	Kilograms	Weight
min	Minutes	Time
s	Seconds	Time
∅	Diameter	Size of drill bits, grinding wheels, etc.
n ₀	No load speed	Rotational speed, at no load
.../min	Revolutions or reciprocation per minute	Revolutions, strokes, surface speed, orbits etc. per minute
0	Off position	Zero speed, zero torque...
1, 2, 3, ... I, II, III,	Selector settings	Speed, torque or position settings. Higher number means greater speed
0 ▲	Infinitely variable selector with off	Speed is increasing from 0 setting
→	Arrow	Action in the direction of arrow
~	Alternating current	Type or a characteristic of current
≡	Direct current	Type or a characteristic of current
⎓	Alternating or direct current	Type or a characteristic of current
□	Class II construction	Designates Double Insulated Construction tools.
⊕	Earthing terminal	Grounding terminal
⚠	Warning symbol	Alerts user to warning messages
	Ni-Cad RBRC seal	Designates Ni-Cad battery recycling program



This symbol designates that this tool is listed by Underwriters Laboratories.



This symbol designates that this tool is listed to Canadian Standards by Underwriters Laboratories.



This symbol designates that this tool complies to NOM Mexican Standards.



This symbol designates that this tool is listed by the Canadian Standards Association.

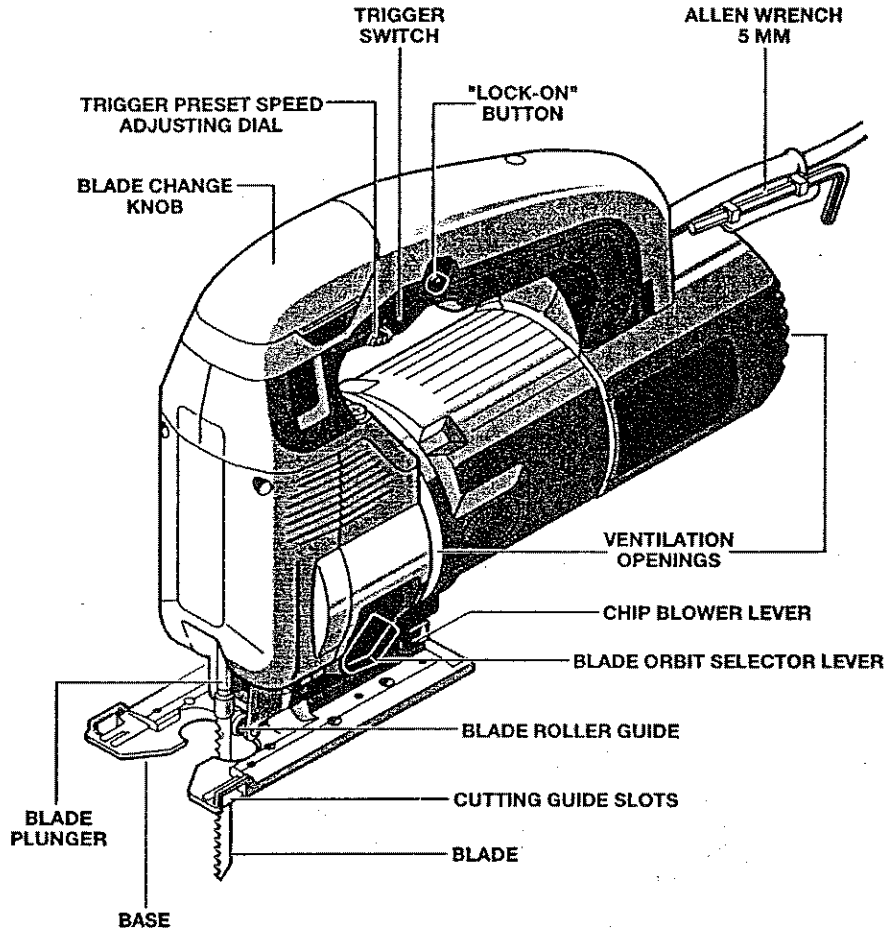


This symbol designates that this tool is listed by Underwriters Laboratories, and listed to Canadian Standards by Underwriters Laboratories.

FUNCTIONAL DESCRIPTION AND SPECIFICATIONS

⚠ WARNING Disconnect the plug from the power source before making any assembly, adjustments or changing accessories. Such preventive safety measures reduce the risk of starting the tool accidentally.

Sabre Saw



NOTE: For tool specifications refer to the nameplate on your tool.

ASSEMBLY

Blade Installation

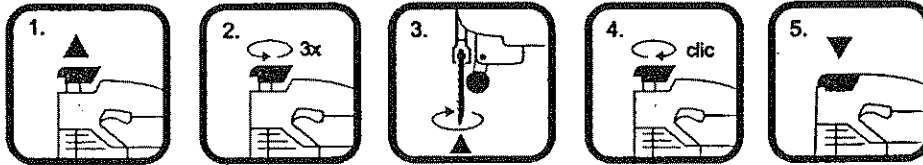
Set the blade orbit selector lever to position III.

1. Pull blade change knob upward as far as it will go.
2. Turn blade change knob three turns counter-clockwise (viewed from the top of the tool).
3. Insert the blade into blade plunger at a 90° angle to the cutting direction. With a slight upward pressure, turn the blade teeth forward (direction of cut) and guide the back of the blade into the groove in the center of blade roller guide. Pull gently down on the blade to seat the blade tabs in the plunger.
4. With the blade in the proper position, turn knob

clockwise until a noticeable "Click" noise is heard, indicating that the blade is locked in place.

5. Depress knob to disengage and continue to turn knob 1 until it is aligned with the curvature of the handle, and can be pressed back into its normal position. Press down on knob until it is flush with the handle, and the jigsaw is ready for use.

Removing the blade is essentially the reverse of the installation procedure, however, take note that once the blade change knob is loosened, gently push the blade upward to release the blade tabs from the plunger.



OPERATING INSTRUCTIONS

Trigger switch and "Lock-ON" button

Your jigsaw can be turned ON or OFF by squeezing or releasing the trigger. Your jigsaw is also equipped with "Lock-ON" button located just above the trigger that allows continuous operation without holding the trigger.

TO LOCK SWITCH ON: squeeze trigger, depress button and release trigger.

TO UNLOCK THE SWITCH: squeeze trigger and release it without depressing the "Lock-ON" button.

⚠ WARNING If the "Lock-ON" button is continuously being depressed, the trigger cannot be released.

Trigger Preset Speed Adjusting Dial

This feature enables you to preset the trigger at desired speeds by rotating the dial on the trigger to a higher or lower setting. Regardless of the the pressure applied on trigger, the tool will

not operate any faster that the maximum speed setting selected.

Setting

A-B	Low stroke
C-D	Medium stroke
E	High stroke

Plunger Speed

The jigsaw cutting speed or stroke rate required depends on the material being cut, the type of blade used, and the feed rate preferred by the operator. The best speed for a particular application is largely determined by experience, though as a general rule, slower speeds are for denser materials and faster speeds for soft materials. Note that when the jigsaw is used at low speed settings for any length of time, the motor temperature will rise due to the slower speed of the internal cooling fan. In such cases, it is necessary to occasionally run the tool at full speed for a few minutes to keep the motor operating at high efficiency.

OPERATING INSTRUCTIONS (CONT.)

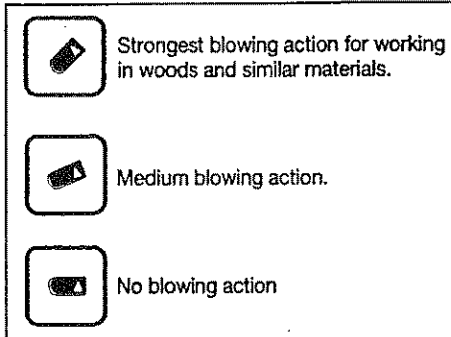
Blade Orbit

Maximum cutting efficiency can be obtained by adjusting the blade orbit selector lever to suit the material being cut. The following chart will help you determine which setting to use for your application. This chart is intended as a guideline only, and test cuts in scrap material should be performed first to determine the best setting.

- Setting O** hard materials such as metal or thin sheet metals and used with knife blades, grit edge blades or rasp work.
- Setting I** soft materials where cleaner cutting or delicate scrolling work is performed.
- Setting II** medium density materials such as harder woods or particle board.
- Setting III** soft materials such as wood, plastics, etc.

Chip Blower

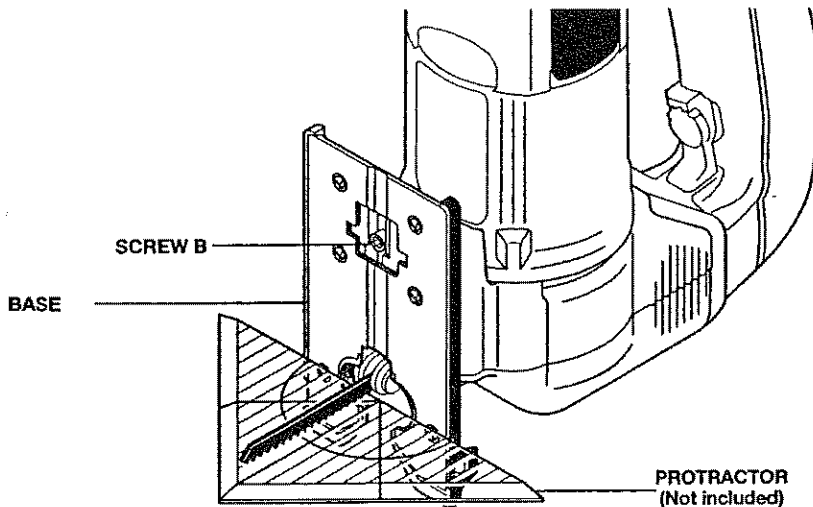
The jigsaw is equipped with a three-position chip blower to help keep the cutting line clear of chips. By adjusting the chip blower lever, the force of the discharged air may be altered as follows;



Base Angle Adjustment

The base may be tilted to allow angle cuts up to 45° in either direction. To adjust base, loosen screw with allen wrench, slide the base towards the front of the tool, and rotate to the desired

angle, as marked on the angle scale. Detent slot will hold the base firmly at 90°. Intermediate angles may be set with a protractor. After positioning the base, securely tighten screw.



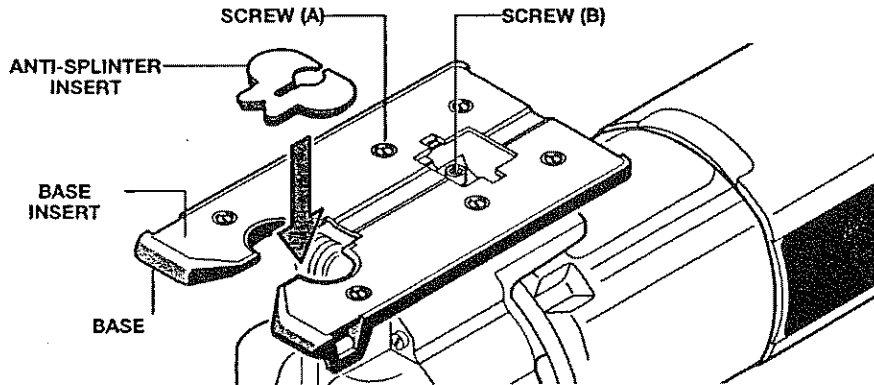
Base Inserts

Model Sears number will accept two base inserts which may be changed by removing the six screws (A). The steel insert is used for most general cutting operations, and the smooth plastic insert may be used to minimize scratches on fine surfaces.

Anti-splinter Insert

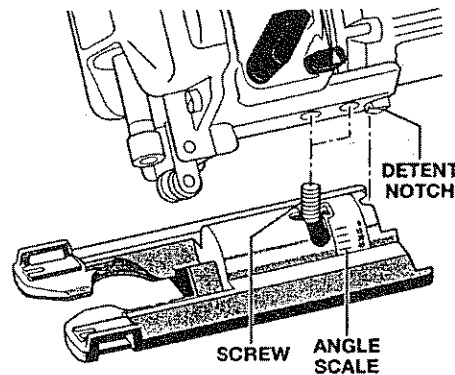
To minimize splintering of the top surface of the material being cut, place the anti-splinter insert in the blade opening of the base.

Note: This insert will only work with blades that have ground sides.



Flush Cutting

To allow the saw to make a perpendicular cut close to a vertical surface, the base may be repositioned as follows. Remove screw B, move base to the front mounting slot, and be sure the detent notch is aligned with the detent slot in the base. Re-insert screw (B) into the threaded hole closest to the detent notch, and securely tighten. Note that when the base is retracted in this manner, only 90° cuts are possible, and the optional cutting guide may not be used.



TOOL TIPS

Always be certain that smaller workpieces are securely fastened to a bench or other support. Larger panels may be held in place by clamps on a bench or sawhorses.

To begin a cut, clearly mark the cutting line, and rest the front of the base on the work. Engage the switch, and move the blade into the work using only enough forward pressure to keep the blade cutting steadily. **DO NOT FORCE**, as this will not make the saw cut faster; let the blade do the work.

When cutting metal, it is often advisable to use a lubricant to cool the blade and extend its life. An optional blade lubricator may be purchased separately.

Choose blades carefully, as the ability of the jigsaw to follow curves, provide smoother finishes, or faster cutting is directly related to the type of blade used.

MAINTENANCE

Service

⚠ WARNING Preventive maintenance performed by unauthorized personnel may result in misplacing of internal wires and components which could cause serious hazard. We recommend that all tool service be performed by a Sears Service Facility.

Tool Lubrication

Your tool has been properly lubricated and is ready to use. It is recommended that tools with gears be regreased with a special gear lubricant at every brush change.

Carbon Brushes

The brushes and commutator in your tool have been engineered for many hours of dependable service. To maintain peak efficiency of the motor, we recommend every two to six months the brushes be examined. Only genuine Sears replacement brushes specially designed for your tool should be used.

Bearings

After about 300-400 hours of operation, or at every second brush change, the bearings

should be replaced at an Authorized Service Center. Bearings which become noisy (due to heavy load or very abrasive material cutting) should be replaced at once to avoid overheating or motor failure.

Cleaning

To avoid accidents always disconnect the tool from the power supply before cleaning or performing any maintenance. The tool may be cleaned most effectively with compressed dry air. **Always wear safety goggles when cleaning tools with compressed air.**

Ventilation openings and switch levers must be kept clean and free of foreign matter. Do not attempt to clean by inserting pointed objects through openings.

⚠ CAUTION Certain cleaning agents and solvents damage plastic parts. Some of these are: gasoline, carbon tetrachloride, chlorinated cleaning solvents, ammonia and household detergents that contain ammonia.

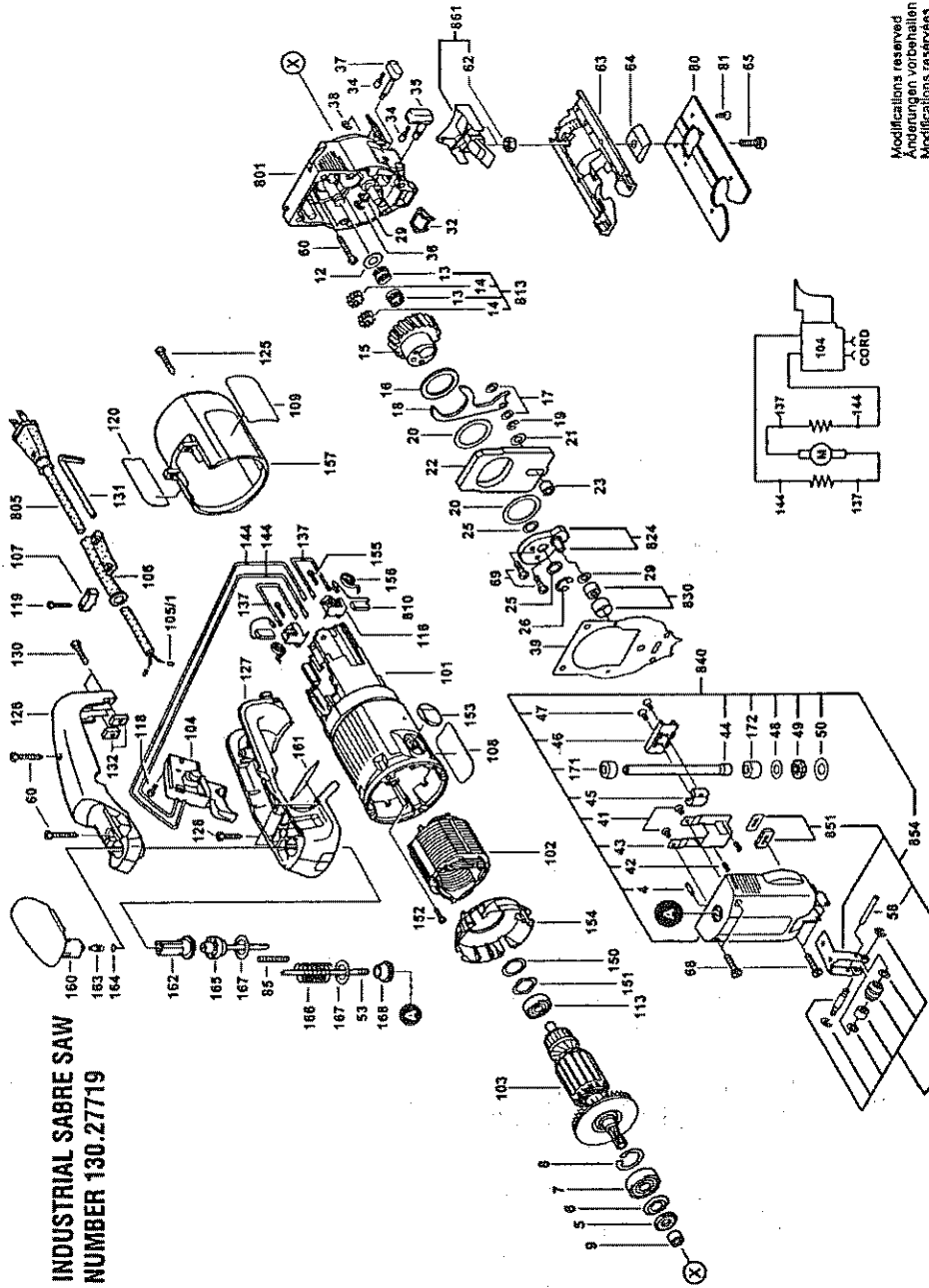
⚠ WARNING If an extension cord is necessary, a cord with adequate size conductors that is capable of carrying the current necessary for your tool must be used. This will prevent excessive voltage drop, loss of power or overheating. Grounded tools must use 3-wire extension cords that have 3-prong plugs and receptacles.

**RECOMMENDED SIZES OF EXTENSION CORDS
120 VOLT ALTERNATING CURRENT TOOLS**

Tool's Ampere Rating	Cord Size in A.W.G.				Wire Sizes in mm ²			
	Cord Length in Feet				Cord Length in Meters			
	25	50	100	150	15	30	60	120
3-6	18	16	16	14	.75	.75	1.5	2.5
6-8	18	16	14	12	.75	1.0	2.5	4.0
8-10	18	16	14	12	.75	1.0	2.5	4.0
10-12	16	16	14	12	1.0	2.5	4.0	—
12-16	14	12	—	—	—	—	—	—

NOTE: The smaller the gauge number, the heavier the cord.

**CRAFTSMAN INDUSTRIAL SABRE SAW
MODEL NUMBER 130.27719**



Modifications reserved
Änderungen vorbehalten
Modificaciones reservadas
Salvo modificaciones

KEY NO.	PART NO.	PART NAME	KEY NO.	PART NO.	PART NAME	KEY NO.	PART NO.	PART NAME	KEY NO.	PART NO.	PART NAME
4	1903201042	Needle	47	2603421040	Screw	130	2914501021	Screw & Washer	130	2914501021	Screw & Washer
5	2600108077	Gasket	48	2600112031	Washer	131	1907950006	Allen Wrench 5mm	131	1907950006	Allen Wrench 5mm
6	2600500002	Washer	49	2600290017	Seal	132	2603320001	Nut	132	2603320001	Nut
7	2600905021	Ball Bearing	50	2600101612	Washer	137	2604448034	Cable	137	2604448034	Cable
8	2916669008	Ring	53	2603490007	Screw	144	1614431010	Cable	144	1614431010	Cable
9	2600400008	Bushing	58	2917530101	Pin	150	2600101023	Shim	150	2600101023	Shim
12	2600101616	Washer	60	2610323133	Screw	151	2600150004	Spring Washer	151	2600150004	Spring Washer
13	2600913036	Needle Cage	62	2915011007	Nut	152	2603435015	Screw	152	2603435015	Screw
14	2603201037	Needle	63	2608000073	Base	153	2610909048	Plug	153	2610909048	Plug
15	2606320048	Eccentric Gear	64	2601030007	Plate	154	2601328045	Air Deflector	154	2601328045	Air Deflector
16	2600102653	Shim	65	2910141197	Screw	155	2910611405	Sheet Metal Screw	155	2910611405	Sheet Metal Screw
17	2600100515	Shim	68	2914501012	Screw & Washer	156	1604652014	Spiral Spring	156	1604652014	Spiral Spring
18	2601923004	Fork Lever	69	2914551176	Screw & Washer	157	2610909049	Housing Cover	157	2610909049	Housing Cover
19	2916808907	Ring	80	2601098011	Steel Base	160	2610909050	Rotary Handle	160	2610909050	Rotary Handle
20	2600102652	Shim	81	2910771118	Screw	161	2610907133	Label	161	2610907133	Label
21	2600100625	Shim	85	2604610040	Compression Spring	162	2606491011	Ratchet	162	2606491011	Ratchet
22	2601098003	Counterweight	101	2610909041	Motor Housing	163	2600423006	Bracket	163	2600423006	Bracket
23	2600309009	Sleeve	102	2610909245	Field	164	1600210034	O-Ring	164	1600210034	O-Ring
25	2600100575	Shim	103	2610909242	Armature	165	2606491014	Ratchet	165	2606491014	Ratchet
26	2916808910	Clip	104	2610909042	Switch	166	2604617004	Spring	166	2604617004	Spring
29	2600100568	Shim	105/1	1900452012	Terminal	167	1600101603	Washer	167	1600101603	Washer
32	2602305042	Air Eliminator	106	2600703028	Strain Relief	168	2600421001	Guide Sleeve	168	2600421001	Guide Sleeve
34	2600590006	Cap/Spring	107	2601035001	Cord Clamp	171	2600301046	Bushing	171	2600301046	Bushing
35	2602026036	Rotary Knob	108	2610909043	Nameplate	172	2600301045	Bushing	172	2600301045	Bushing
36	2916808008	Snap Ring	109	2610909044	Marketing Label	801	2605808917	Gear Housing Assembly	801	2605808917	Gear Housing Assembly
37	2602026037	Rotary Knob	113	1900905018	Ball Bearing	805	3604460555	Cord	805	3604460555	Cord
38	2600116006	Retainer	116	2601323021	Brush Holder	810	2604320910	Brush Set	810	2604320910	Brush Set
39	2601015050	Gasket	118	2603410001	Screw	813	2607001130	Needle Bearing Assembly	813	2607001130	Needle Bearing Assembly
41	2603410042	Screw	119	2610315386	Screw	824	2601072901	Eccentric	824	2601072901	Eccentric
42	2604613000	Spring	120	2610909045	Warning Label	830	2600917900	Needle Sleeve Assembly	830	2600917900	Needle Sleeve Assembly
43	2601322010	Bow	125	2910601321	Screw	840	2605808921	Gear Cover Assembly	840	2605808921	Gear Cover Assembly
44	2600780012	Plunger	126	2610909046	Upper Handle	851	2601015901	Gasket	851	2601015901	Gasket
45	2602329011	Clamp	127	2610909047	Lower Handle	854	2601321902	Roller Guide Assembly	854	2601321902	Roller Guide Assembly
46	2601321017	Clamp	128	2914501023	Screw & Washer	861	2605500900	Fan Cover Assembly	861	2605500900	Fan Cover Assembly

Indice	Página
Garantía	14
Normas de seguridad para herramientas mecánicas.....	15-17
Símbolos	18
Descripción funcional y especificaciones	19
Ensamblaje	20
Instrucciones de funcionamiento	20-22
Consejos para la herramienta	22
Mantenimiento	23
Piezas de repuesto	12-13

Garantía de Sears

Garantía completa de un año para la sierra de vaivén industrial Craftsman

Si no está completamente satisfecho con esta sierra de vaivén industrial Craftsman dentro del plazo de un año a partir de la fecha de compra, Sears la reemplazará gratuitamente.

Si esta sierra de vaivén industrial se utiliza con fines comerciales o de alquiler, esta garantía solamente tiene un año de aplicación a partir de la fecha de compra.

Servicio de garantía

El servicio de garantía se encuentra disponible devolviendo esta sierra de vaivén industrial Craftsman a la tienda Sears más próxima en los Estados Unidos.

Esta garantía tiene aplicación solamente mientras esta sierra de vaivén industrial se utilice en los Estados Unidos.

Esta garantía le confiere a usted derechos legales específicos y es posible que también tenga otros derechos que varían de un estado a otro.

Sears, Roebuck and Co., Dept. 817WA, Hoffman Estates, IL 60179

NORMAS DE SEGURIDAD PARA HERRAMIENTAS MECÁNICAS

⚠ ADVERTENCIA

Lea y entienda todas las instrucciones. El incumplimiento de todas las instrucciones indicadas a continuación puede dar lugar a sacudidas eléctricas, incendios y/o lesiones personales graves.

CONSERVE ESTAS INSTRUCCIONES

Area de trabajo

Mantenga el área de trabajo limpia y bien iluminada. Las mesas desordenadas y las áreas oscuras invitan a que se produzcan accidentes.

No utilice herramientas mecánicas en atmósferas explosivas, tales como las existentes en presencia de líquidos, gases o polvos inflamables. Las herramientas mecánicas generan chispas y éstas pueden dar lugar a la ignición del polvo o los vapores.

Mantenga a las personas que se encuentren presentes, a los niños y a los visitantes alejados al utilizar una herramienta mecánica. Las distracciones pueden hacer que usted pierda el control.

Seguridad eléctrica

Las herramientas con aislamiento doble están equipadas con un enchufe polarizado (un terminal es más ancho que el otro). Este enchufe entrará en un tomacorriente polarizado solamente de una manera. Si el enchufe no entra por completo en el tomacorriente, déle la vuelta. Si sigue sin entrar, póngase en contacto con un electricista competente para instalar un tomacorriente polarizado. No haga ningún tipo de cambio en el enchufe. El aislamiento doble elimina la necesidad del sistema de cordón de energía de tres hilos conectado a tierra y la fuente de energía conectada a tierra. Antes de enchufar la herramienta, asegúrese de que la tensión del tomacorriente suministrada se encuentre dentro del margen de la tensión especificada en la placa del fabricante. No utilice herramientas con capacidad nominal "AC solamente" ("AC only") con una fuente de energía DC.

Evite el contacto del cuerpo con las superficies conectadas a tierra tales como tuberías, radiadores, estufas de cocina y refrigeradores. Hay mayor riesgo de que se produzcan sacudidas eléctricas si su cuerpo está conectado a tierra. Si la utilización de la herramienta mecánica en lugares húmedos es inevitable, se debe usar un interruptor de circuito para fallos a tierra para suministrar la energía a la herramienta. Los guantes de goma para electricista y el calzado antideslizante aumentarán más la seguridad personal.

No exponga las herramientas mecánicas a la lluvia ni a situaciones húmedas. La entrada de agua en una herramienta mecánica aumentará el riesgo de que se produzcan sacudidas eléctricas.

No abuse del cordón. Nunca use el cordón para llevar las herramientas ni para sacar el enchufe de un tomacorriente. Mantenga el cordón alejado del calor, el

aceite, los bordes afilados o las piezas móviles. Cambie los cordones dañados inmediatamente. Los cordones dañados aumentan el riesgo de que se produzcan sacudidas eléctricas.

Al utilizar una herramienta mecánica a la intemperie, utilice un cordón de extensión para intemperie marcado "W-A" o "W". Estos cordones tienen capacidad nominal para uso a la intemperie y reducen el riesgo de que se produzcan sacudidas eléctricas. Consulte "Tamaños recomendados de los cordones de extensión" en la sección Accesorios de este manual.

Seguridad personal

Manténgase alerta, fíjese en lo que está haciendo y use el sentido común cuando utilice una herramienta mecánica. No use la herramienta cuando esté cansado o se encuentre bajo la influencia de drogas, alcohol o medicamentos. Un momento de distracción al utilizar herramientas mecánicas puede dar lugar a lesiones personales graves.

Vístase adecuadamente. No se ponga ropa holgada ni joyas. Sujétese el pelo. Mantenga el pelo, la ropa y los guantes alejados de las piezas móviles. La ropa holgada, las joyas o el pelo largo pueden quedar atrapados en las piezas móviles. Mantenga los mangos secos, limpios y libres de aceite y grasa.

Evite el arranque accidental. Asegúrese de que el interruptor esté en la posición "OFF" (apagado) antes de enchufar la herramienta. El llevar las herramientas con el dedo en el interruptor o el enchufar herramientas que tengan el interruptor en la posición "ON" (encendido) invita a que se produzcan accidentes.

Quite las llaves de ajuste o de tuerca antes de encender la herramienta. Una llave de ajuste o de tuerca que se deje puesta en una pieza giratoria de la herramienta puede ocasionar lesiones personales.

No intente alcanzar demasiado lejos. Mantenga un apoyo de los pies y un equilibrio adecuados en todo momento. El apoyo de los pies y el equilibrio adecuados permiten un mejor control de la herramienta en situaciones inesperadas.

Utilice equipo de seguridad. Use siempre protección de los ojos. Se debe utilizar una máscara antipolvo, zapatos de seguridad antideslizantes, casco o protección de los oídos según lo requieran las condiciones.

Utilización y cuidado de las herramientas

Utilice abrazaderas u otro modo práctico de fijar y soportar la pieza de trabajo a una plataforma estable.

La sujeción de la pieza de trabajo con la mano o contra el cuerpo resulta inestable y puede ocasionar pérdida de control.

No fuerce la herramienta. Use la herramienta correcta para la aplicación que desea. La herramienta correcta hará el trabajo mejor y con más seguridad a la capacidad nominal para la que está diseñada.

No utilice la herramienta si el interruptor no la enciende o apaga. Toda herramienta que no se pueda controlar con el interruptor es peligrosa y debe ser reparada.

Desconecte el enchufe de la fuente de energía antes de hacer cualquier ajuste, cambiar accesorios o guardar la herramienta. Estas medidas de seguridad preventivas reducen el riesgo de arrancar la herramienta accidentalmente.

Guarde las herramientas que no esté usando fuera del alcance de los niños y otras personas no capacitadas. Las herramientas son peligrosas en las manos de los usuarios no capacitados.

Mantenga las herramientas con cuidado. Conserve las herramientas de corte afiladas y limpias. Las herramientas mantenidas adecuadamente, con bordes de corte afilados, tienen menos probabilidades de atascarse y son más fáciles de controlar. Toda alteración o modificación constituye un uso incorrecto y puede tener como resultado una situación peligrosa.

Compruebe la desalineación o el atasco de las piezas móviles, la ruptura de piezas y cualquier otra situación que pueda afectar el funcionamiento de las

herramientas. Si la herramienta está dañada, haga que realicen un servicio de ajustes y reparaciones a la herramienta antes de usarla. Muchos accidentes son causados por herramientas mantenidas deficientemente. Establezca un programa de mantenimiento periódico para la herramienta.

Utilice únicamente accesorios que estén recomendados por el fabricante de su modelo. Los accesorios que pueden ser adecuados para una herramienta pueden volverse peligrosos cuando se utilizan en otra herramienta.

Servicio

El servicio de ajustes y reparaciones de una herramienta debe ser realizado únicamente por personal de reparaciones competente. El servicio o mantenimiento realizado por personal no competente podría ocasionar un peligro de que se produzcan lesiones. Por ejemplo: Los cables internos pueden colocarse mal o pellizcarse, los resortes de retorno de los protectores de seguridad pueden montarse inadecuadamente.

Al realizar servicio de ajustes y reparaciones de una herramienta, utilice únicamente piezas de repuesto idénticas. Siga las instrucciones que aparecen en la sección **Mantenimiento** de este manual. El uso de piezas no autorizadas o el incumplimiento de las instrucciones de Mantenimiento puede ocasionar un peligro de que se produzcan sacudidas eléctricas o lesiones. Ciertos agentes de limpieza, tales como gasolina, tetracloruro de carbono, amoníaco, etc., pueden dañar las piezas de plástico.

NORMAS DE SEGURIDAD PARA SIERRAS DE VAIVÉN

Sujete la herramienta por las superficies de agarre aisladas cuando realice una operación en la que la herramienta de corte pueda entrar en contacto con cables ocultos o con su propio cordón. El contacto con un cable que tenga corriente hará que ésta pase a las partes metálicas descubiertas de la herramienta y que el operador reciba sacudidas eléctricas. *No taladre, rompa, ni haga trabajo de sujeción en paredes existentes ni en otras áreas ciegas donde pueda haber cables eléctricos. Si esta situación es inevitable, desconecte todos los fusibles o cortacircuitos que alimentan este sitio de trabajo.*

Nunca deje el gatillo fijo en la posición "ON" (encendido). Antes de enchufar la herramienta, compruebe que el cierre del gatillo esté en la posición "OFF" (apagado). Un arranque accidental podría causar lesiones.

Sepa la ubicación y la posición del botón de

"Fijación en ON" del interruptor. Si el interruptor está fijo en la posición "ON" durante el uso, esté preparado para en situaciones de emergencia ponerlo en "OFF", tirando primero del gatillo y soltándolo inmediatamente después sin oprimir el botón de "Fijación en ON".

Mantenga las manos alejadas del área de corte. No ponga la mano debajo del material que se está cortando. La proximidad de la hoja a la mano queda oculta a la vista.

Mantenga las manos alejadas del espacio entre la caja de engranajes y el soporte de la hoja de sierra. El soporte de la hoja de vaivén puede pellizcarle los dedos.

No utilice hojas desfiladas ni dañadas. Una hoja doblada puede romperse fácilmente o causar retroceso.

Antes de comenzar el corte, encienda la herramienta y deje que la hoja alcance toda su velocidad. La herramienta puede chirriar o vibrar si la velocidad de la hoja es demasiado lenta al comienzo del corte y posiblemente puede experimentar retroceso.

Use siempre gafas de seguridad o protección de los ojos cuando utilice esta herramienta. Use una máscara antipolvo o un respirador para aplicaciones que generan polvo.

Fije el material antes de cortar. Nunca lo tenga en la mano ni sobre las piernas. El material pequeño o delgado puede curvarse o vibrar con la hoja, causando pérdida de control.

Asegúrese de que todos los tornillos de ajuste y el soporte de la hoja estén apretados antes de hacer un corte. Si los tornillos de ajuste y los soportes están flojos, pueden hacer que la herramienta o la hoja resbale, pudiendo producirse pérdida de control.

Al quitar la hoja de la herramienta, evite el contacto con la piel y use guantes protectores adecuados al agarrar la hoja o el accesorio. Los accesorios pueden estar calientes después del uso prolongado.

Si su herramienta está equipada con una bolsa para polvo, vacíela con frecuencia y después de terminar de aserrar. Al cabo del tiempo se puede producir una combustión espontánea de la mezcla de aceite o agua con las partículas de polvo. Sea extremadamente cuidadoso al tirar el polvo, los materiales en forma de partículas finas pueden ser explosivos. No tire el contenido a un fuego abierto.







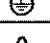


⚠ ADVERTENCIA Cierto polvo generado por el lijado, aserrado, amolado y taladrado mecánicos, y por otras actividades de construcción, contiene agentes químicos que se sabe que causan cáncer, defectos de nacimiento u otros daños sobre la reproducción. Algunos ejemplos de estos agentes químicos son:

- Plomo de pinturas a base de plomo,
- Sílice cristalina de ladrillos y cemento y otros productos de mampostería, y
- Arsénico y cromo de madera tratada químicamente.

Su riesgo por causa de estas exposiciones varía, dependiendo de con cuánta frecuencia realice este tipo de trabajo. Para reducir su exposición a estos agentes químicos: trabaje en un área bien ventilada y trabaje con equipo de seguridad aprobado, como por ejemplo máscaras antipolvo que estén diseñadas especialmente para impedir mediante filtración el paso de partículas microscópicas.

SÍMBOLOS

Importante: Es posible que algunos de los símbolos siguientes se usen en su herramienta. Por favor, estúdielos y aprenda su significado. La interpretación adecuada de estos símbolos le permitirá utilizar la herramienta mejor y con más seguridad.

Símbolo	Nombre	Designación/explicación
V	Volt	Tensión (potencial)
A	Ampere	Corriente
Hz	Hertz	Frecuencia (ciclos por segundo)
W	Watt	Potencia
kg	Kilogramo	Peso
min	Minuto	Tiempo
s	Segundo	Tiempo
∅	Diámetro	Tamaño de las brocas taladradoras, muelas, etc.,
n ₀	Velocidad sin carga	Velocidad rotacional sin carga
.../min	Revoluciones o alternación por minuto	Revoluciones, golpes, velocidad de superficie, órbitas, etc., por minuto
0	Posición "off" (apagado)	Velocidad cero, par motor cero...
1, 2, 3, ... I, II, III,	Graduaciones del selector	Graduaciones de velocidad, par motor o posición. Un número más alto significa mayor velocidadselector settings
	Selector infinitamente variable con apagado	La velocidad aumenta desde la graduación de 0
	Flecha	Acción en la dirección de la flecha
	Corriente alterna	Tipo o una característica de corriente
	Corriente continua	Tipo o una característica de corriente
	Corriente alterna o continua	Tipo o una característica de corriente
	Construcción de clase II	Designa las herramientas de construcción con aislamiento doble.
	Terminal de toma de tierra	Terminal de conexión a tierra
	Símbolo de advertencia	Alerta al usuario sobre mensajes de advertencia
	Sello RBRCTM de Ni-Cd.	Designa el programa de reciclaje de baterías de Ni-Cd.



Este símbolo indica que esta herramienta está catalogada por Underwriters Laboratories.



Este símbolo indica que Underwriters Laboratories ha catalogado esta herramienta indicando que cumple las normas canadienses.



Este símbolo indica que esta herramienta cumple con la norma mexicana oficial (NOM).



Este símbolo indica que esta herramienta está catalogada por la Canadian Standards Association.

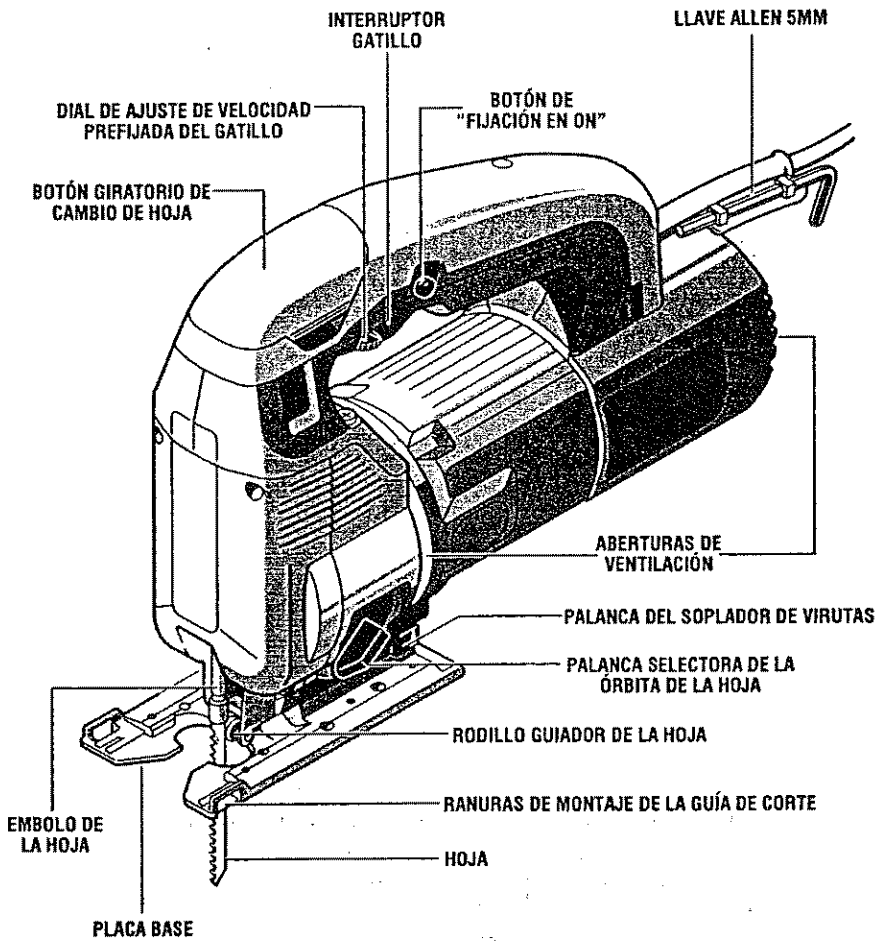


Este símbolo indica que esta herramienta está catalogada por Underwriters Laboratories y que Underwriters Laboratories la ha catalogado según las normas canadienses.

DESCRIPCIÓN FUNCIONAL Y ESPECIFICACIONES

⚠ ADVERTENCIA Desconecte el enchufe de la fuente de energía antes de realizar cualquier ensamblaje o ajuste, o cambiar accesorios. Estas medidas de seguridad preventivas reducen el riesgo de arrancar la herramienta accidentalmente.

Sierra de vaivén



NOTA: Para obtener las especificaciones de la herramienta, consulte la placa del fabricante colocada en la herramienta.

ENSAMBLAJE

Instalación de la hoja

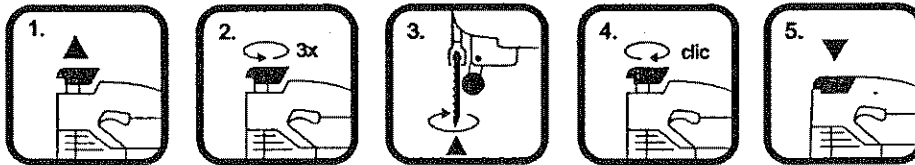
Coloque la palanca selectora de la órbita de la hoja 11 en la posición III.

1. Tire del botón giratorio de cambio de hoja 1 hacia arriba hasta donde se pueda.
2. Gírelo tres vueltas en sentido contrario al de las agujas del reloj (visto desde la parte superior de la herramienta).
3. Introduzca la hoja en el émbolo de la hoja 5 a un ángulo de 90° respecto al sentido de corte. Con una ligera presión hacia arriba, gire los dientes de la hoja hacia adelante (sentido de corte) y guíe la parte posterior de la hoja al interior de la ranura que está en el centro del rodillo guía de la hoja 12. Tire de la hoja hacia abajo suavemente para colocar las lengüetas de la hoja en el émbolo.

4. Con la hoja en la posición adecuada, gire el botón 1 en el sentido de las agujas del reloj hasta que se oiga un sonido de "Clic" notable, indicando que la hoja está fija en su sitio.

5. Oprima el botón 1 para que se desacople y continúe girando dicho botón hasta que se encuentre alineado con la curvatura del mango y se pueda oprimir de vuelta su posición normal. Ejercer presión hacia abajo sobre el botón 1 hasta que éste se encuentre al ras con el mango y la sierra de vaivén queda lista para la utilización.

Quitar la hoja consiste esencialmente en el proceso de instalación a la inversa. Sin embargo, fíjese que una vez que se afloja el botón de cambio de hoja 1, se ha de empujar suavemente la hoja hacia arriba para soltar del émbolo las lengüetas de la hoja. Interruptor gatillo y botón de



INSTRUCCIONES DE FUNCIONAMIENTO

"Fijación en ON"

La sierra de vaivén se puede encender (posición "ON") o apagar (posición "OFF") apretando o soltando el gatillo. La sierra de vaivén también está equipada con un botón de "Fijación en ON" ubicado justo sobre el gatillo, el cual permite un funcionamiento continuo sin tener que apretar el gatillo.

PARA FIJAR EL INTERRUPTOR EN LA POSICIÓN "ON": apriete el gatillo, oprima el botón y suelte el gatillo.

PARA DESBLOQUEAR EL INTERRUPTOR: apriete el gatillo y suéltelo sin oprimir el botón de "Fijación en ON".

⚠ ADVERTENCIA Si se oprime continuamente el botón de "Fijación en ON", no se puede soltar el gatillo.

Dial de ajuste de velocidad prelijada del gatillo
Este dispositivo le permite a usted preajustar el gatillo a las velocidades deseadas girando el dial 3 que está sobre el gatillo hasta una posición más alta o más baja. No importa cual sea la presión ejercida sobre el gatillo, la herramienta no funcionará más deprisa que la posición de velocidad máxima seleccionada.

Posición

A-B	Golpe lento
C-D	Golpe mediano
E	Golpe rápido

Velocidad del émbolo

La velocidad de corte de la sierra de vaivén o velocidad de golpeo requerida depende del material que se está cortando, del tipo de hoja utilizada y de la velocidad de alimentación preferida por el operador. La mejor velocidad para una aplicación específica está determinada en gran parte por la experiencia, aunque como regla general, las velocidades más lentas son para materiales más densos y las velocidades más rápidas para materiales blandos. Tenga en cuenta que, cuando la sierra de vaivén se utilice a baja velocidad durante cualquier período de tiempo, la temperatura del motor subirá debido a una velocidad más lenta del ventilador de refrigeración interno. En tales casos, de vez en cuando es necesario hacer funcionar la herramienta a toda velocidad durante unos minutos para mantener el motor funcionando con alto rendimiento.

INSTRUCCIONES DE FUNCIONAMIENTO (CONT.)

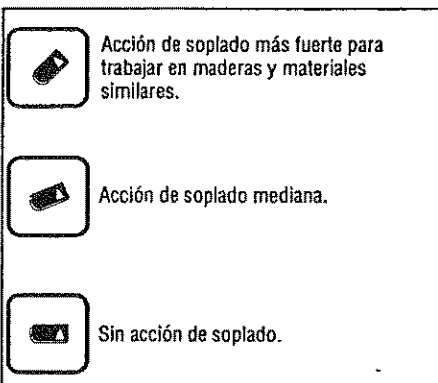
Órbita de la hoja

La máxima eficiencia de corte se puede obtener ajustando la palanca selectora de la órbita de la hoja para adaptarse al material que se está cortando. El cuadro siguiente le ayudará a determinar qué posición utilizar para su aplicación. Este cuadro se destina para servir de guía únicamente y primero se deben realizar cortes de prueba en material de desecho para determinar la mejor posición.

- Posición 0** materiales duros tales como metales o láminas metálicas delgadas y utilizada con hojas de cuchillo, hojas con filo de grano abrasivo o trabajo de raspado.
- Posición I** materiales blandos donde se realiza un corte más nítido o un trabajo de desplazamiento continuo delicado
- Posición II** materiales de densidad media tales como maderas más duras o tableros hechos de partículas de madera
- Posición III** materiales blandos tales como madera, plásticos, etc.

Soplador de virutas

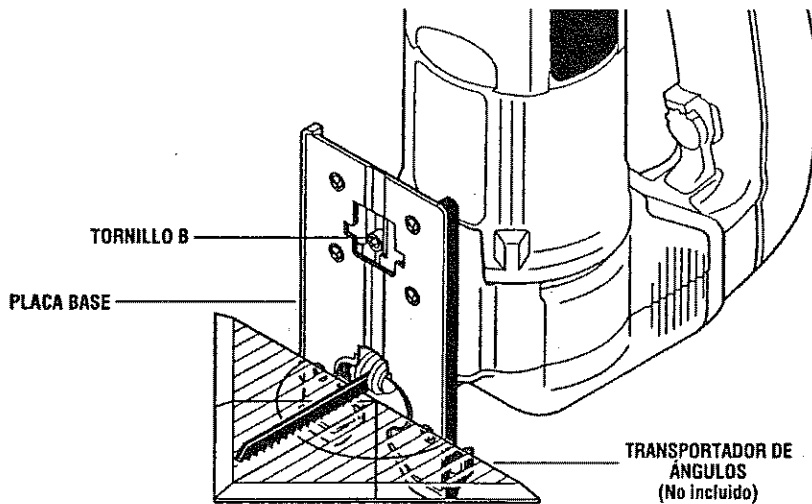
La sierra de vaivén está equipada con un soplador de virutas de tres posiciones para ayudar a mantener la línea de corte libre de virutas. Mediante el ajuste de la palanca del soplador de virutas se puede alterar la fuerza del aire descargado como se indica a continuación:



Ajuste del ángulo de la placa base

La placa base se puede inclinar para permitir cortes en ángulo de hasta 45° en cualquiera de las dos direcciones. Para ajustar la placa base, afloje el tornillo con la llave Allen, deslice la placa base hacia la parte delantera de la herramienta y gire hasta el

ángulo deseado según está marcado en la escala de ángulos. La ranura de relén sujetarán la placa base firmemente a 90°. Los ángulos intermedios se pueden fijar con un transportador de ángulos. Después de colocar la placa base, apriete firmemente el tornillo.



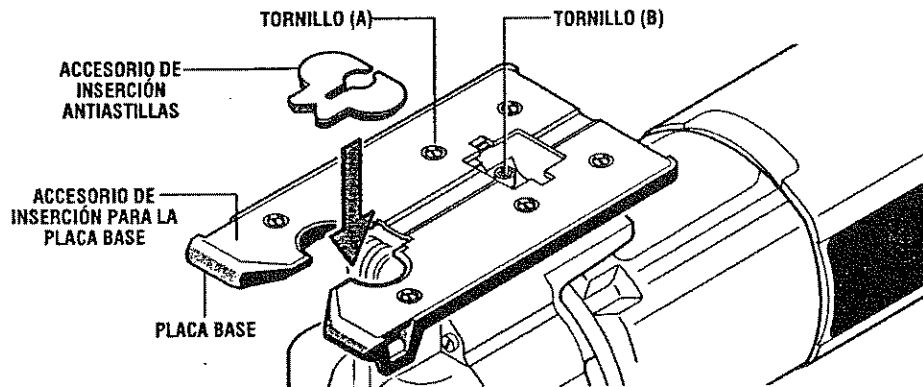
Accesorio inserción para la placa base

Los modelos xxxxxxxx aceptan dos accesorios de inserción de la placa-base que pueden cambiarse quitando los seis tornillos (A). El accesorio de inserción de acero se utiliza para la mayoría de las operaciones generales de corte y el accesorio de inserción de plástico liso se podrá utilizar para minimizar los arañazos en superficies finas.

Accesorio de inserción antiastillas

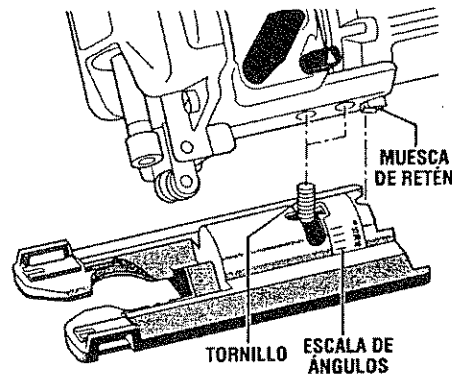
Para minimizar el astillado de la superficie superior del material que se está cortando, coloque el accesorio de inserción antiastillas en la apertura para la hoja de la placa base.

Nota: Este accesorio de inserción funcionará únicamente con hojas que tienen lados amolados.



Corte al ras

Para permitir que la sierra realice un corte perpendicular cerca de una superficie vertical, la placa base se puede cambiar de posición como sigue. Saque el tornillo (B), desplace la placa base hasta la ranura de montaje delantera y asegúrese de que la muesca de retén se encuentra alineada con la ranura de retén de la placa base. Vuelva a introducir el tornillo (B) en el agujero roscado más próximo a la muesca de retén y apriételo firmemente. Observe que cuando se retrae la placa base de esta manera únicamente se pueden realizar cortes de 90° y no se podrá utilizar la guía de corte opcional.



CONSEJOS PARA LA HERRAMIENTA

Asegúrese siempre de que las piezas de trabajo más pequeñas están sujetas de manera segura a un banco o a otro apoyo. Los paneles más grandes se pueden sujetar por medio de abrazaderas sobre un banco o unos caballetes de aserrar.

Para comenzar un corte, marque claramente la línea de corte y apoye la parte delantera de la placa base sobre la pieza de trabajo. Accione el interruptor y haga que la hoja penetre en la pieza de trabajo utilizando únicamente suficiente presión hacia adelante para mantener la hoja cortando firmemente.

NO FUERCE, ya que esto no hará que la sierra corte más rápido; deje que la hoja haga el trabajo.

Cuando se corta metal, suele ser aconsejable utilizar un lubricante para enfriar la hoja y prolongar la vida de ésta. Se puede comprar un lubricante de hojas opcional separadamente.

Elija las hojas cuidadosamente, ya que la capacidad de la sierra para seguir curvas, proporcionar acabados más lisos o cortar más rápido está directamente relacionada con el tipo de hoja utilizada.

MANTENIMIENTO

Servicio

⚠ ADVERTENCIA El mantenimiento preventivo realizado por personal no autorizado puede dar lugar a la colocación incorrecta de cables y componentes internos que podría constituir un peligro serio. Recomendamos que todo el servicio de las herramientas sea realizado por un Centro de servicio de fábrica Sears o por una Estación de servicio Sears autorizada.

Lubricación de las herramientas

Su herramienta ha sido lubricada adecuadamente y está lista para la utilización. Se recomienda que las herramientas con engranajes se vuelvan a engrasar con un lubricante especial para engranajes en cada cambio de escobillas.

Escobillas de carbón

Las escobillas y el conmutador de la herramienta han sido diseñados para muchas horas de servicio fiable. Para mantener un rendimiento óptimo del motor, recomendamos que cada dos a seis meses se examinen las escobillas. Sólo se deben usar escobillas de repuesto Sears genuinas diseñadas específicamente para su herramienta.

Rodamientos

Después de 300-400 horas de funcionamiento, o después de cada segundo cambio de escobillas, los rodamientos deben cambiarse en un

Centro de servicio autorizado. Los rodamientos que se vuelven ruidosos (debido a la pesada carga o al corte de materiales muy abrasivos) deben ser sustituidos inmediatamente para evitar el sobrecalentamiento o el fallo del motor.

Limpieza

⚠ ADVERTENCIA Para evitar accidentes desconecte siempre la herramienta de la fuente de energía antes de la limpieza o de la realización de cualquier mantenimiento. La herramienta se puede limpiar más eficazmente con aire comprimido seco. Use gafas de seguridad siempre que limpie herramientas con aire comprimido.

Las aberturas de ventilación y las palancas de interruptor deben mantenerse limpias y libres de materias extrañas. No intente limpiar introduciendo objetos puntiagudos a través de las aberturas.

⚠ PRECAUCIÓN Ciertos agentes de limpieza y disolventes dañan las piezas de plástico. Algunos de estos son: gasolina, tetracloruro de carbono, disolventes de limpieza clorados, amoníaco y detergentes domésticos que contienen amoníaco.

⚠ ADVERTENCIA Si es necesario un cordón de extensión, se debe usar un cordón con conductores de tamaño adecuado que sea capaz de transportar la corriente necesaria para la herramienta. Esto evitará caídas de tensión excesivas, pérdida de potencia o recalentamiento. Las herramientas conectadas a tierra deben usar cordones de extensión de 3 hilos que tengan enchufes de 3 terminales y receptáculos para 3 terminales.

TAMAÑOS RECOMENDADOS DE CORDONES DE EXTENSION
HERRAMIENTAS DE 120 V CORRIENTE ALTERNA

Capacidad nominal en amperios de la herramienta	Tamaño del cordón en A.W.G.				Tamaños del cable en mm ²			
	Longitud del cordón en pies				Longitud del cordón en metros			
	25	50	100	150	15	30	60	120
3-6	18	16	16	14	.75	.75	1.5	2.5
6-8	18	16	14	12	.75	1.0	2.5	4.0
8-10	18	16	14	12	.75	1.0	2.5	4.0
10-12	16	16	14	12	1.0	2.5	4.0	—
12-16	14	12	—	—	—	—	—	—

NOTA: Cuanto más pequeño es el número de calibre, más grueso es el cordón.

For in-home major brand repair service:

Call 24 hours a day, 7 days a week

1-800-4-MY-HOMESM (1-800-469-4663)

Para pedir servicio de reparación a domicilio - 1-800-676-5811

In Canada for all your service and parts needs call **-1-800-665-4455**
Au Canada pour tout le service ou les pièces

For the repair or replacement parts you need:

Call 7 am - 7 pm, 7 days a week

1-800-366-PART (1-800-366-7278)

Para ordenar piezas con entrega a domicilio - 1-800-659-7084

For the location of a Sears Parts and Repair Center in your area:

Call 24 hours a day, 7 days a week

1-800-488-1222

**For information on purchasing a Sears Maintenance Agreement
or to inquire about an existing agreement:**

Call 9 am - 5 pm, Monday - Saturday

1-800-827-6655



The Service Side of Sears.™