

# Operator's Manual

# CRAFTSMAN®

1-1/2 HP (Maximum Developed)

16 Speeds (200-3630 R.P.M.)

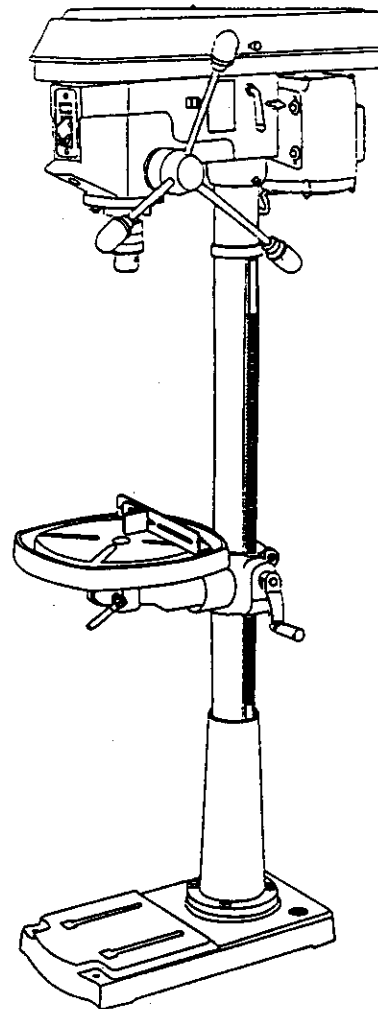
5/8 Inch Chuck

## 17-INCH DRILL PRESS

Model No.

137.229171

Rexon



### CAUTION:

Before using this Drill Press, read this manual and follow all its Safety Rules and Operating Instructions

- Safety Instructions
- Installation
- Operation
- Maintenance
- Parts List
- Español

**Customer Help Line**  
**1-800-843-1682**

Sears, Roebuck and Co., Hoffman Estates, IL 60179-1151 USA

Visit our Craftsman website: [www.sears.com/craftsman](http://www.sears.com/craftsman)

Part No. 137229171001

## TABLE OF CONTENTS

SECTION	PAGE
Warranty .....	2
Product Specifications.....	2
Safety Instructions .....	3
Accessories and Attachments .....	6
Carton Contents .....	6
Know Your Drill Press .....	8
Glossary of Terms .....	9
Assembly and Adjustment .....	10
Operation .....	15
Maintenance .....	20
Troubleshooting Guide .....	21
Parts .....	22
Español .....	25

## WARRANTY

### FULL ONE YEAR WARRANTY

If this Driss Press fails due to a defect in material or workmanship within one year of date of purchase, Sears will at its option repair or replace it free of charge.

Return this Drill Press to a Sears Service Center for repair, or to place of purchase for replacement.

This warranty gives you specific legal rights, and you may also have other rights which may vary from state to state.

Sears, Roebuck and Co., Dept. 817 WA, Hoffman Estates, IL 60179

### **▲ WARNING**

Some dust created by power sanding, sawing, grinding, drilling and other construction activities contains chemicals known to the state of California to cause cancer, birth defects or other reproductive harm. Some examples of these chemicals are:

- Lead from lead-based paints
- Crystalline silica from bricks, cement and other masonry products
- Arsenic and chromium from chemically treated lumber

Your risk from these exposures varies, depending on how often you do this type of work. To reduce your exposure to these chemicals, work in a well-ventilated area and work with approved safety equipment such as dust masks that are specially designed to filter out microscopic particles.

## PRODUCT SPECIFICATIONS

Chuck Size .....	5/8"
Speed .....	16 (200 ~ 3,600 RPM)
Motor.....	120V, 60 Hz, 12 Amps
Horsepower.....	1-1/2 HP (Max. Developed)
Built-in Light .....	60 Watt (Maximum) (Bulb not included)
Table Size .....	14-1/4" x 14-1/4"
Table Tilt .....	45° Right or Left
Spindle Travel.....	3-1/4"
Throat .....	8-1/2"
Base Size .....	11" x 20-3/8"
Height .....	64-7/8"

### **▲ WARNING**

To avoid electrical hazards, fire hazards, or damage to the tool, use proper circuit protection.

Your drill press is wired at the factory for 120V operation. Connect to a 120V, 15 AMP branch circuit and use a 15 AMP time delay fuse or circuit breaker. To avoid shock or fire, replace power cord immediately if it is worn, cut or damaged in any way.

# SAFETY

## GENERAL SAFETY INSTRUCTIONS

### BEFORE USING THE DRILL PRESS

Safety is a combination of common sense, staying alert and knowing how to use your drill press.

#### **▲ WARNING**

To avoid mistakes that could cause serious injury, do not plug the drill press in until you have read and understood the following:

1. **READ** and become familiar with this entire instruction manual. **LEARN** the tool's applications, limitations, and possible hazards.
2. **KEEP GUARDS IN PLACE** and in working order.
3. **DON'T USE IN A DANGEROUS ENVIRONMENT.** Don't use power tools in damp or wet locations, or expose them to rain. Keep work area well lit.
4. **DO NOT** use power tools in the presence of flammable liquids or gases.
5. **KEEP WORK AREA CLEAN.** Cluttered areas and benches invite accidents.
6. **KEEP CHILDREN AWAY.** All visitors should be kept at a safe distance from the work area.
7. **DON'T FORCE THE TOOL.** It will do the job better and safer at the rate for which it was designed.
8. **USE THE RIGHT TOOL.** Don't force tool or the attachment to do a job for which it was not designed.
9. **WEAR PROPER APPAREL.** **DO NOT** wear loose clothing; gloves, neckties, rings, bracelets, or other jewelry which may get caught in moving parts. Nonslip footwear is recommended. Wear protective hair covering to contain long hair.
10. **WEAR A FACE MASK OR DUST MASK.** Drilling operation produces dust.
11. **DISCONNECT TOOLS** before servicing, and when changing accessories, such as blades, bits, cutters, and the like.
12. **REDUCE THE RISK OF UNINTENTIONAL STARTING.** Make sure the switch is in "OFF" position before plugging in.
13. **USE RECOMMENDED ACCESSORIES.** Consult the owner's manual for the recommended accessories. The use of improper accessories may cause risk of injury to persons.
14. **REMOVE ADJUSTING KEYS AND WRENCHES.** Form the habit of checking to see that keys and adjusting wrenches are removed from the tool before turning "ON"
15. **NEVER LEAVE TOOL RUNNING UNATTENDED. TURN THE POWER "OFF".** Don't leave the tool until it comes to a complete stop.
16. **NEVER STAND ON TOOL.** Serious injury could occur if the tool is tipped or if the cutting tool is unintentionally contacted.
17. **DON'T OVERREACH.** Keep proper footing and balance at all times.
18. **MAINTAIN TOOLS WITH CARE.** Keep tools sharp and clean for best and safest performance. Follow instructions for lubricating and changing accessories
19. **CHECK FOR DAMAGED PARTS.** Before further use of the tool, a guard or other part that is damaged should be carefully checked to determine that it will operate properly and perform its intended function. Check for alignment of moving parts, binding of moving parts, breakage of parts, mounting and any other conditions that may affect its operation. A guard or other part that is damaged should be properly repaired or replaced.
20. **MAKE WORKSHOP KID PROOF** with padlocks, master switches, or by removing starter keys.
21. **DO NOT** operate the tool if you are under the influence of any drugs, alcohol or medication that could affect your ability to use the tool properly.
22. Dust generated from certain materials can be hazardous to your health. Always operate the drill press in a well-ventilated area and provide for proper dust removal. Use dust collection systems whenever possible.
23. **ALWAYS WEAR EYE PROTECTION.** Any drill press can throw foreign objects into the eyes which could cause permanent eye damage. **ALWAYS** wear Safety Goggles (not glasses) that comply with ANSI safety standard Z87.1. Everyday eyeglasses have only impact-resistant lenses. They **ARE NOT** safety glasses. Safety Goggles are available at Sears. **NOTE:** Glasses or goggles not in compliance with ANSI Z87.1 could seriously hurt you when they break.



## SAVE THESE INSTRUCTIONS

# SPECIFIC SAFETY INSTRUCTIONS FOR THE DRILL PRESS

## **▲ WARNING**

For your own safety, do not try to use your drill press or plug it in until it is completely assembled and installed according to the instructions, and until you have read and understood this instruction manual:

1. **YOUR DRILL PRESS MUST BE BOLTED** securely to a workbench. In addition, if there is any tendency for your drill press to move during certain operations, bolt the workbench to the floor.
2. **THIS DRILL PRESS** is intended for use in dry conditions, indoor use only.
3. **WEAR EYE PROTECTION.** USE face or dust mask along with safety goggles if drilling operation is dusty. USE ear protectors, especially during extended periods of operation.
4. **DO NOT** wear gloves, neckties, or loose clothing.
5. **DO NOT** try to drill material too small to be securely held.
6. **ALWAYS** keep hands out of the path of a drill bit. Avoid awkward hand positions where a sudden slip could cause your hand to move into the drill bit.
7. **DO NOT** install or use any drill bit that exceeds 175 mm (7") in length or extends 150 mm (6") below the chuck jaws. They can suddenly bend outward or break.
8. **DO NOT USE** wire wheels, router bits, shaper cutters, circle (fly) cutters, or rotary planers on this drill press.
9. **WHEN** cutting a large piece of material make sure it is fully supported at the table height.
10. **DO NOT** perform any operation freehand. **ALWAYS** hold the workpiece firmly against the table so it will not rock or twist. Use clamps or a vise for unstable workpieces.
11. **MAKE SURE** there are no nails or foreign objects in the part of the workpiece to be drilled.
12. **CLAMP WORKPIECE OR BRACE** against the left side of the column to prevent rotation. If it is too short or the table is tilted, clamp solidly to the table and use the fence provided.
13. **IF THE WORKPIECE** overhangs the table such that it will fall or tip if not held, clamp it to the table or provide auxiliary support.
14. **SECURE WORK.** Use clamps or a vise to hold the work when practical. It's safer than using your hand and it frees both hands to operate tool.
15. **WHEN** using a drill press vise, always fasten to the table.
16. **MAKE SURE** all clamps and locks are firmly tightened before drilling.
17. **SECURELY LOCK THE HEAD** and table support to the column, and the table to the table support before operating the drill press.
18. **NEVER** turn your drill press on before clearing the table of all objects (tools, scraps of wood, etc.)
19. **BEFORE STARTING** the operation, jog the motor switch to make sure the drill bit does not wobble or vibrate.
20. **LET THE SPINDLE REACH FULL SPEED** before starting to drill. If your drill press makes an unfamiliar noise or if it vibrates excessively, stop immediately, turn the drill press off and unplug. Do not restart until the problem is corrected.
21. **DO NOT** perform layout assembly or set up work on the table while the drill press is in operation.
22. **USE RECOMMENDED SPEED** for drill accessory and workpiece material. SEE INSTRUCTIONS that come with the accessory.
23. **WHEN DRILLING** large diameter holes, clamp the workpiece firmly to the table. Otherwise, the bit may grab and spin the workpiece at high speed. **DO NOT USE** fly cutters or multiple-part hole cutters, as they can come apart or become unbalanced in use.
24. **MAKE SURE** the spindle has come to a complete stop before touching the workpiece.
25. **TO AVOID INJURY** from accidental starting, always turn the switch "OFF" and unplug the drill press before installing or removing any accessory or attachment or making any adjustment.
26. **KEEP GUARDS IN PLACE** and in working order.
27. **USE ONLY SELF-EJECTING TYPE CHUCK KEY** as provided with the drill press.

## SAVE THESE INSTRUCTIONS

## GROUNDING INSTRUCTIONS

**IN THE EVENT OF A MALFUNCTION OR BREAKDOWN,** grounding provides a path of least resistance for electric current and reduces the risk of electric shock. This tool is equipped with an electric cord that has an equipment grounding conductor and a grounding plug. The plug **MUST** be plugged into a matching receptacle that is properly installed and grounded in accordance with ALL local codes and ordinances.

**DO NOT MODIFY THE PLUG PROVIDED.** If it will not fit the receptacle, have the proper receptacle installed by a qualified electrician.

**IMPROPER CONNECTION** of the equipment grounding conductor can result in risk of electric shock. The conductor with the green insulation (with or without yellow stripes) is the equipment grounding conductor. If repair or replacement of the electric cord or plug is necessary, **DO NOT** connect the equipment grounding conductor to a live terminal.

**CHECK** with a qualified electrician or service personnel if you do not completely understand the grounding instructions, or if you are not sure the tool is properly grounded.

**USE ONLY 3-WIRE EXTENSION CORDS THAT HAVE 3-PRONG GROUNDING PLUGS AND 3-POLE RECEPTACLES THAT ACCEPT THE TOOL'S PLUG. REPAIR OR REPLACE DAMAGED OR WORN CORD IMMEDIATELY.**

## GUIDELINES FOR EXTENSION CORDS

Make sure your extension cord is in good condition. When using an extension cord, be sure to use one heavy enough to carry the current your product will draw. An undersized cord will cause a drop in line voltage resulting in loss of power and overheating. The table below shows the correct size to use according to cord length and nameplate ampere rating. If in doubt, use the next heavier gauge. The smaller the gauge number, the heavier the cord.

**Be sure your extension cord is properly wired** and in good condition. Always replace a damaged extension cord or have it repaired by a qualified person before using it. Protect your extension cords from sharp objects, excessive heat and damp or wet areas.

Use a separate electrical circuit for your tools. This circuit must not be less than #12 wire and should be protected with a 15 Amp time lag fuse. Before connecting the motor to the power line, make sure the switch is in the "OFF" position and the electric current is rated the same as the current stamped on the motor nameplate. Running at a lower voltage will damage the motor.

This tool is intended for use on a circuit that has a receptacle like the one illustrated in **FIGURE A**.

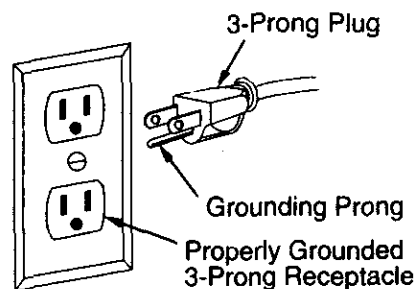
**FIGURE A** shows a 3-prong electrical plug and receptacle that has a grounding conductor. If a properly grounded receptacle is not available, an adapter (**FIGURE B**) can be used to temporarily connect this plug to a 2-contact ungrounded receptacle. The adapter (**FIGURE B**) has a rigid lug extending from it that **MUST** be connected to a permanent earth ground, such as a properly grounded receptacle box. **THE TEMPORARY ADAPTER SHOULD BE USED ONLY UNTIL A PROPERLY GROUNDED OUTLET CAN BE INSTALLED BY A QUALIFIED ELECTRICIAN.** The Canadian Electrical Code prohibits the use of adapters.

**CAUTION:** In all cases, make certain the receptacle in question is properly grounded. If you are not sure have a certified electrician check the receptacle.

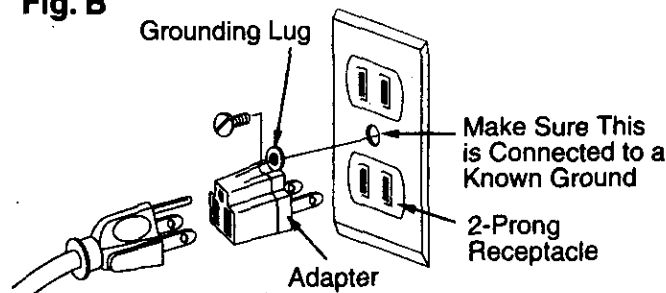
### ⚠ WARNING

This drill press is for indoor use only. Do not expose to rain or use in damp locations.

**Fig. A**



**Fig. B**



### ⚠ WARNING

This tool must be grounded while in use to protect the operator from electrical shock.

MINIMUM GAUGE FOR EXTENSION CORDS (AWG)					
(when using 120 volts only)					
Ampere Rating		Total length of cord in feet			
more than	not more than	25'	50'	100'	150'
0	6	18	16	16	14
6	10	18	16	14	12
10	12	16	16	14	12
12	16	14	12	Not recommended	

**SAVE THESE INSTRUCTIONS**

## ACCESSORIES AND ATTACHMENTS

### AVAILABLE ACCESSORIES

#### ▲ WARNING

Use only accessories recommended for this drill press. Follow instructions that accompany accessories. Use of improper accessories may cause hazards.

Visit your Sears Hardware Department or see the Sears Power and Hand Tool Catalog for the following accessories:

- Drill bits
- Hold-Down and Guide
- Drill Press Vises
  
- Clamping Kit

#### ▲ WARNING

Use only accessories designed for this drill press to avoid injury from thrown broken parts or workpieces.

Sears may recommend other accessories not listed in this manual. See your nearest Sears store or Power and Hand Tool Catalog for other accessories.

Do not use any accessory unless you have completely read the instruction or owner's manual for that accessory.

## CARTON CONTENTS

### UNPACKING AND CHECKING CONTENTS

#### ▲ WARNING

If any part is missing or damaged, do not plug the drill press in until the missing or damaged part is replaced, and assembly is complete.

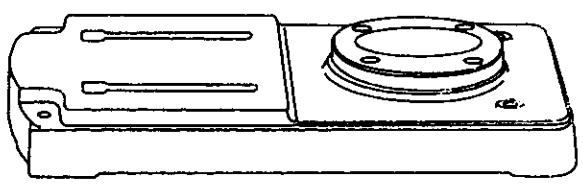
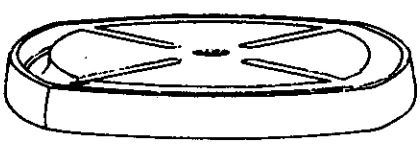
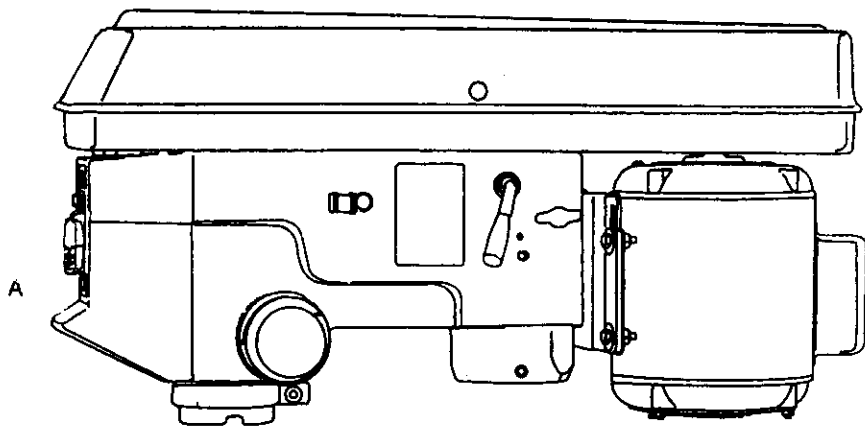
Carefully unpack the drill press and all its parts, and compare against the list below.

To protect the drill press from moisture, a protective coating has been applied to the machined surfaces. Remove this coating with a soft cloth moistened with kerosene or WD-40.

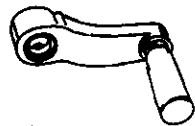
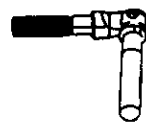
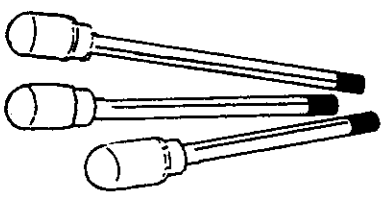
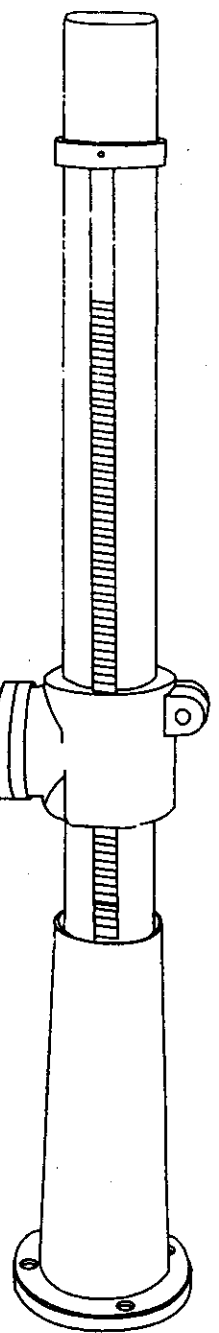
#### ▲ WARNING

To avoid fire or toxic reaction, never use gasoline, naphtha, acetone, lacquer thinner or similar highly volatile solvents to clean the drill press.

ITEM	DESCRIPTION	QUANTITY
A.	Head assembly	1
B.	Table	1
C.	Base	1
D.	Column assembly	1
	Loose parts bag:	
E.	Feed handles	3
F.	Lock handle	1
G.	Crank handle	1
H.	Hex bolts	4
I.	Fence assembly	1
J.	Triangle knobs	2
K.	T-Block	2
L.	Washer	2
M.	Hex wrenches	3
N.	Wedge	1
O.	Arbor	1
	Box:	
P.	Chuck key	1
Q.	Chuck	1



D

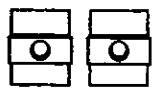
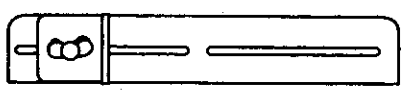


E

F

G

H

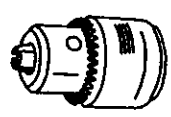
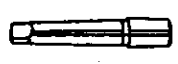


I

J

K

L



M

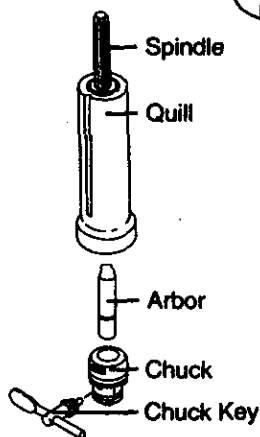
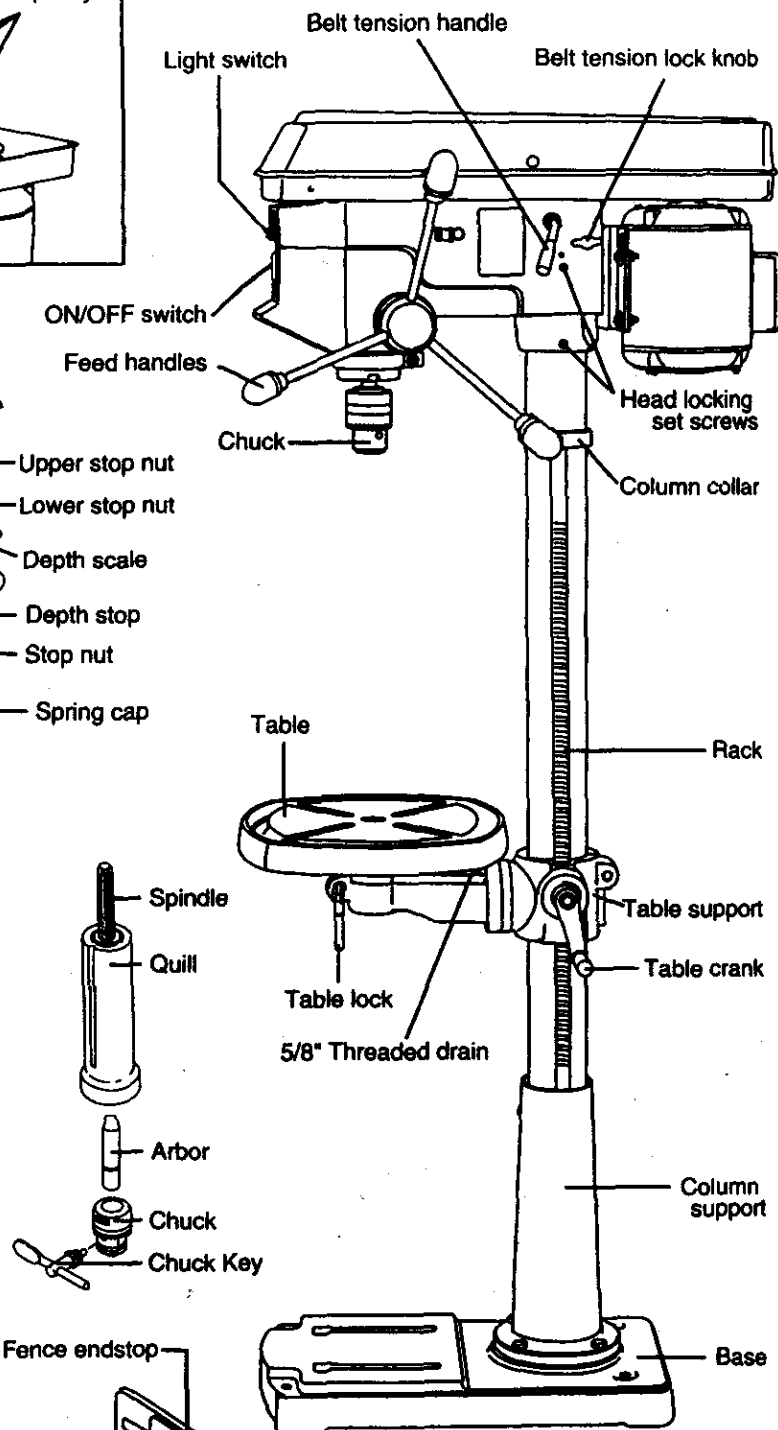
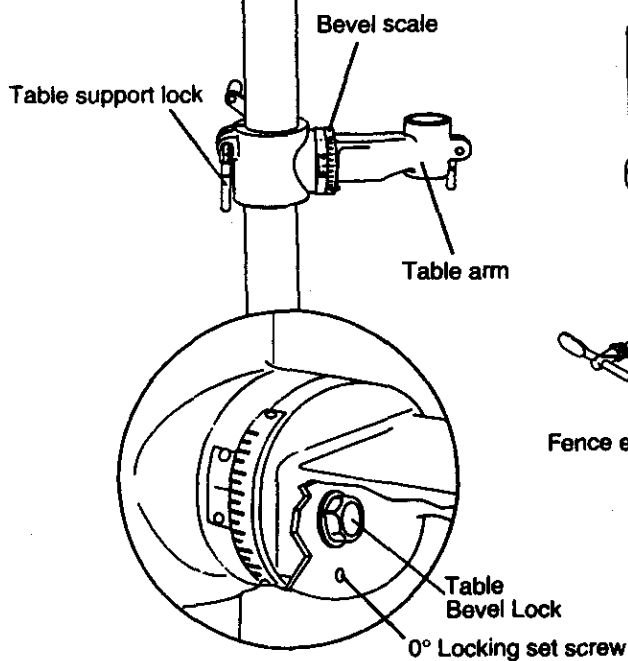
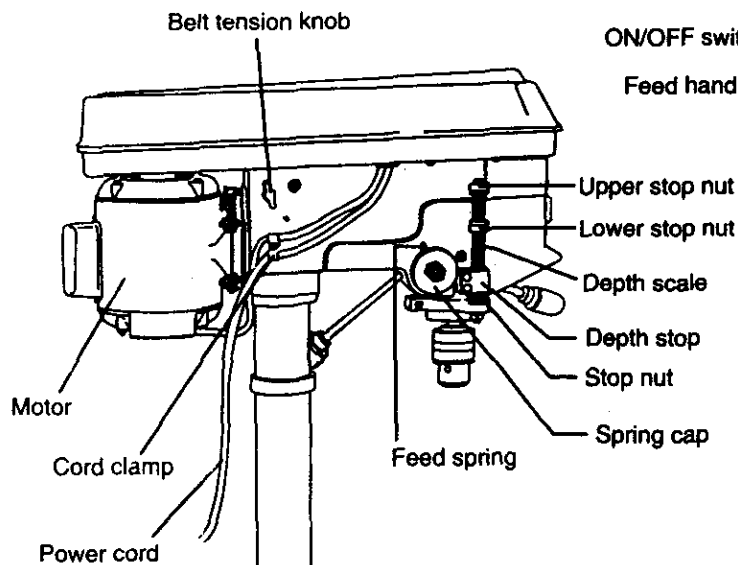
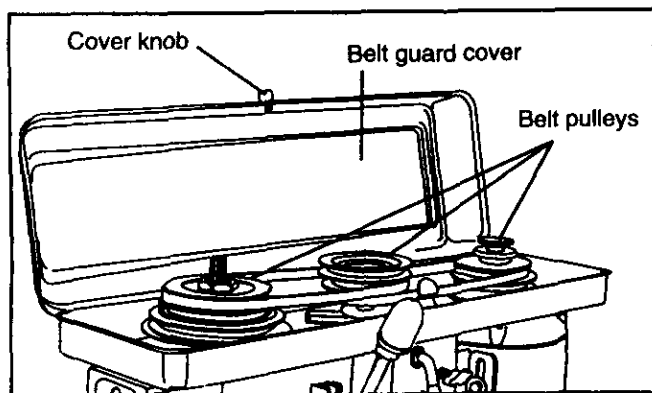
N

O

P

Q

# KNOW YOUR DRILL PRESS





## GLOSSARY OF TERMS

**BASE** – Supports the drill press. For additional stability, holes are provided in the base to bolt the drill press to the floor. (See “Specific Safety Instructions for Drill Presses”.)

**BACKUP MATERIAL** – A piece of scrap wood placed between the workpiece and table. The backup board prevents wood in the workpiece from splintering when the drill passes through the backside of the workpiece. It also prevents drilling into the table top.

**BELT GUARD ASSEMBLY** – Covers the pulleys and belt during operation of the drill press.

**BELT TENSION** – Refer to the “Assembly” Section, “Installing and Tensioning Belt.”

**BELT TENSION HANDLE** – Turn the handle clockwise to apply tension to belt, turn the handle counterclockwise to release belt tension.

**BELT TENSION LOCK KNOBS** – Tightening the knobs locks the motor bracket support and the belt tension handle, maintaining correct belt distance and tension.

**BEVEL SCALE** – Shows the degree of table tilt for bevel operations. The scale is mounted on the side of the arm.

**CHUCK** – Holds the drill bit or other recommended accessory to perform desired operations.

**CHUCK KEY** – A self-ejecting chuck key which will pop out of the chuck when you let go of it. This action is designed to help prevent throwing of the chuck key from the chuck when the power is turned “ON”. Do not use any other key as a substitute; order a new one if damaged or lost.

**COLUMN** – Connects the head, table, and base on a one-piece tube for easy alignment and movement.

**COLUMN COLLAR** – Holds the rack to the column. Rack remains movable in the collar to permit table support movements.

**COLUMN SUPPORT** – Supports the column, guides the rack and provides mounting holes for column to base.

**DEPTH SCALE STOP NUTS** – Lock the spindle to the selected depth.

**DEPTH SCALE** – Indicates depth of hole being drilled.

**DRILL BIT** – The cutting tool used in the drill press to make holes in a workpiece.

**DRILL ON/OFF SWITCH** – Has locking feature. This feature is intended to help prevent unauthorized and possible hazardous use by children and others. Insert the key into the switch to turn the drill press on.

**DRILLING SPEED** – Changed by placing the belt in any of the steps (grooves) in the pulleys. See the Spindle Speed Chart inside the belt guard.

**FEED HANDLE** – Moves the chuck up or down. If necessary, one or two of the handles may be removed whenever the workpiece is of such unusual shape that it interferes with the handles.

**FENCE** – Attaches to the table to align the workpiece or for fast repetitive drilling. Removable. Remove fence when it interferes with other drill press accessories.

**HEAD LOCKS** – Locks the head to the column. ALWAYS lock the head in place while operating the drill press.

**RACK** – Combines with gear mechanism to provide easy elevation of the table by the hand operated table crank.

**REVOLUTION PER MINUTE (R.P.M.)** – The number of turns completed by a spinning object in one minute.

**SPINDLE SPEED** – The R.P.M. of the spindle.

**SPRING CAP** – Adjusts the quill spring tension.

**TABLE SUPPORT LOCK** – Tightening locks the table support to the column. Always have it locked in place while operating the drill press.

**TABLE** – Provides a working surface to support the workpiece.

**TABLE ARM** – Extends beyond the table support for mounting and aligning the table.

**TABLE BEVEL LOCK** – Locks the table in any position from 0° – 45°.

**TABLE CRANK** – Elevates and lowers the table. Turn clockwise to elevate the table. Support lock must be released before operating the crank.

**TABLE LOCK** – Locks the table after it is rotated to various positions.

**TABLE SUPPORT** – Rides on the column to support the table arm and table.

**THREADED DRAIN (5/8")** – Attach a 5/8" (pipe threaded) metal pipe to the threaded opening for draining excess oil into container. For a non-draining surface attach a threaded metal plug. Pipe and plug not included.

**WORKPIECE** – Material being drilled.

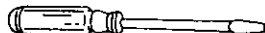
# ASSEMBLY AND ADJUSTMENTS

## ASSEMBLY INSTRUCTIONS

### ⚠ WARNING

For your own safety, never connect plug to power source outlet until all assembly and adjustment steps are completed, and you have read and understood the safety and operating instructions.

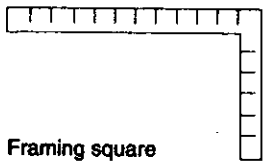
### TOOLS NEEDED



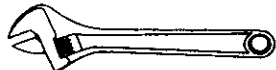
Slotted screwdriver



Combination wrench



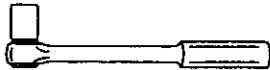
Framing square



8" & 10" Adjustable wrenches



Combination square



Socket wrench with 23 mm. socket

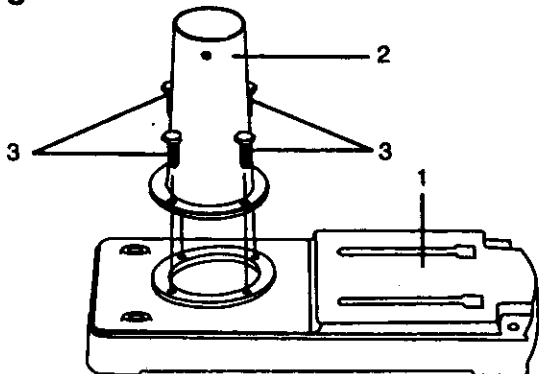
### ⚠ WARNING

The Drill Press is very heavy and MUST be lifted with the help of 2 PEOPLE OR MORE, to safely assemble it.

### COLUMN SUPPORT TO BASE (FIG. A)

1. Position the base (1) on the floor.
2. Place the column (2) on the base, aligning the holes in the column support with the holes in the base.
3. Locate the four long hex bolts (3) from the loose parts bag.
4. Place a bolt in each hole through the column support and the base. Tighten with an adjustable wrench.

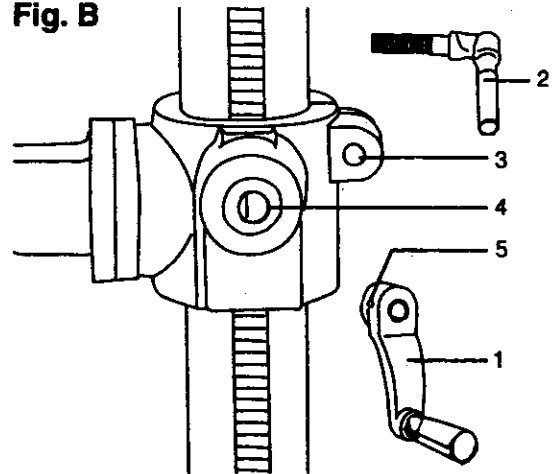
Fig. A



### INSTALLING THE TABLE (FIG. B and C)

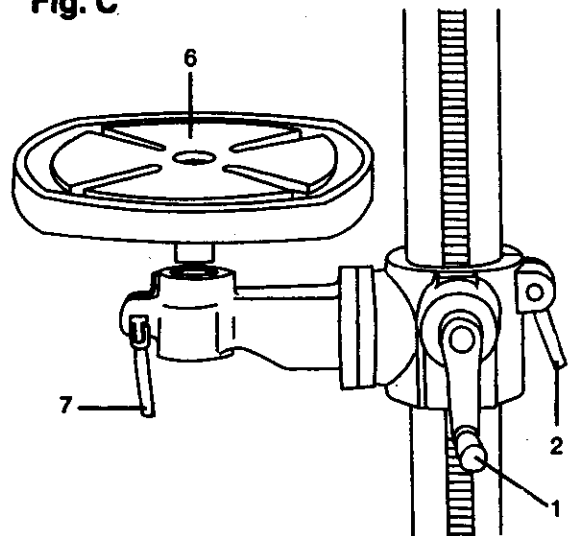
1. Locate the table crank (1) and support lock (2) from the loose parts bag.
2. Insert the support lock handle into the hole (3) at the rear of the table support assembly. Tighten by hand.
3. Install the table crank handle onto the small shaft (4), aligning the set screw (5) with the flat surface of the shaft. Tighten the set screw with a hex wrench.

Fig. B



4. (FIG. C) Loosen the support lock (2). Raise the table arm assembly by turning the crank handle (1) clockwise. Tighten the support lock.
5. Place the table (6) in the table arm assembly. Tighten the table lock handle (7).

Fig. C



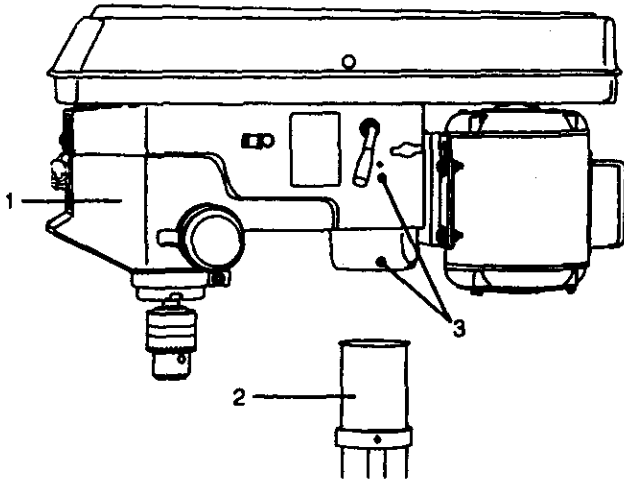
## INSTALLING THE HEAD (FIG. D)

### ▲ WARNING

The Drill Press head is very heavy and **MUST** be lifted with the help of 2 PEOPLE OR MORE, to safely assemble the Drill Press head on the column.

1. Carefully lift the head (1) above the column (2) and slide it onto the column. Make sure the head slides down over the column as far as possible. Align the head with the base.
2. Using the hex wrench, tighten the two head lock set screws (3) on the right side of the head.

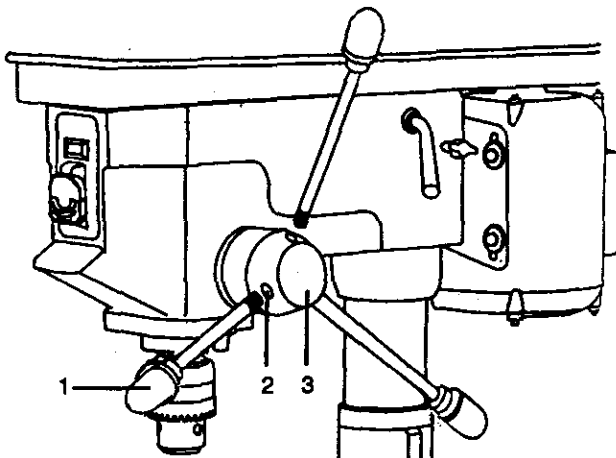
Fig. D



## INSTALLING FEED HANDLES (FIG. E)

1. Locate three feed handles in the loose parts bag.
2. Screw the feed handles (1) into the threaded holes (2) in the hub (3). Tighten.

Fig. E

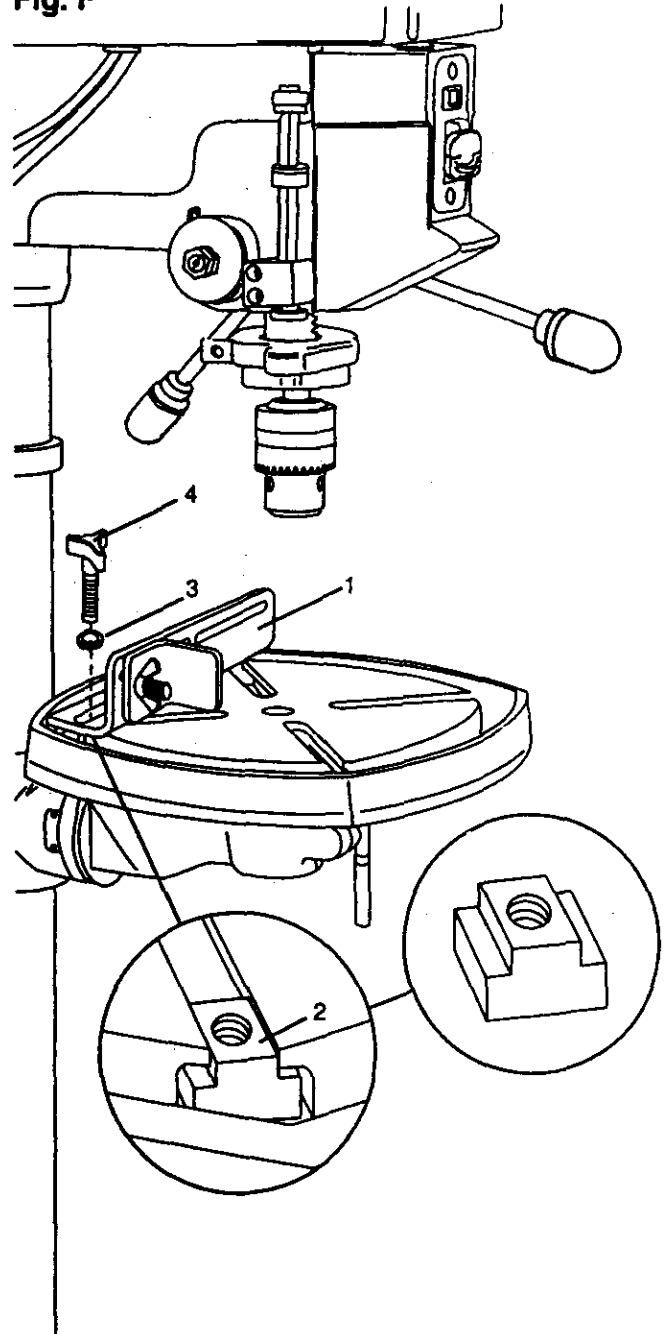


## FENCE ASSEMBLY (FIG. F)

This drill press has a channeled table top.

1. Determine the desired location for the fence (1). Slide the T-blocks (2) into the appropriate channels as shown.
2. Align the mounting holes of the fence over the T-block's threaded holes.
3. Place a washer (3) on the threaded end of the knob (4). Insert the knob through the mounting hole of the fence into the T-block, and tighten.
4. Repeat for the other knob and T-block.

Fig. F

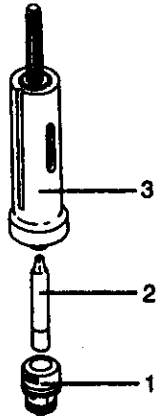


### INSTALLING THE CHUCK (FIG. G, H, and I)

1. Clean out the tapered hole in the chuck (1) with a clean cloth.
2. Clean tapered surfaces on the arbor (2) and spindle (3).

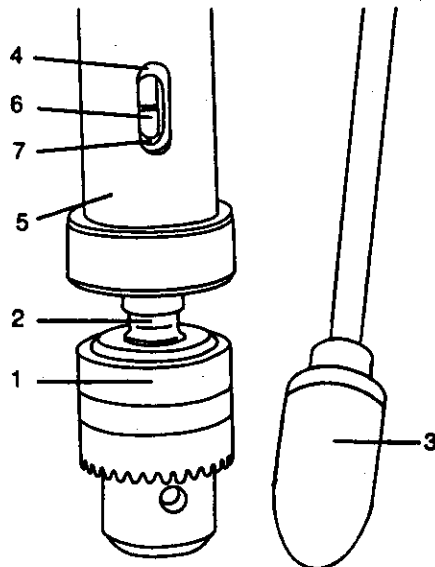
**CAUTION:** Make sure there are no foreign particles sticking to the surfaces. The slightest piece of dirt on any of these surfaces will prevent the chuck from seating properly. This will cause the drill chuck and bit to wobble. If tapered hole is extremely dirty, use a cleaning solvent.

Fig. G



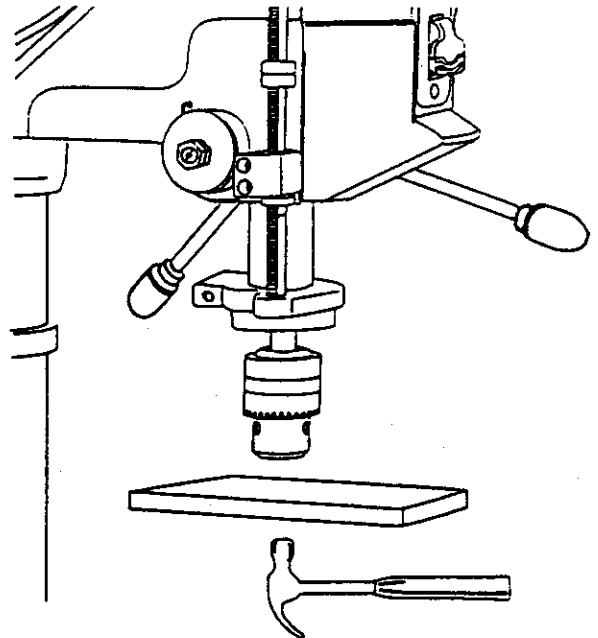
3. (FIG. H) Push the chuck (1) onto the spindle arbor (2). Tap gently to ensure seat.
4. Lower the spindle by turning the feed handles (3) counterclockwise, until the slot (4) appears on the quill (5).
5. Push the chuck and spindle arbor up into the spindle, making sure the tang (6) (upper narrow end of the spindle arbor shank) is engaged and locked in the inner slot (7) of the spindle. This can be seen through the outer slot (4) of the quill by rotating the chuck and arbor until the two slots are aligned.
6. Open the jaws of the chuck (1) by rotating the chuck sleeve clockwise. To prevent damage, make sure the jaws are completely retracted into the chuck.

Fig. H



7. Using a rubber mallet, plastic-tipped hammer, or a block of wood and a hammer, firmly tap the chuck upward into position on the spindle shaft.

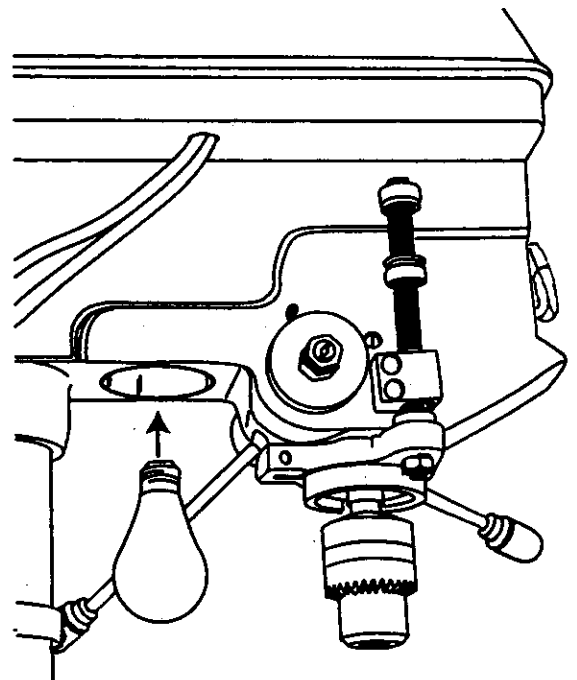
Fig. I



### INSTALLING LIGHT BULB (FIG. J) (not included)

1. Install a light bulb (no larger than 60 watt) into the socket inside the head.

Fig. J



## DRILL PRESS ADJUSTMENTS

**CAUTION:** All the adjustments for the operation of the drill press have been completed at the factory. Due to normal wear and use, some occasional readjustments may be necessary.

### ▲ WARNING

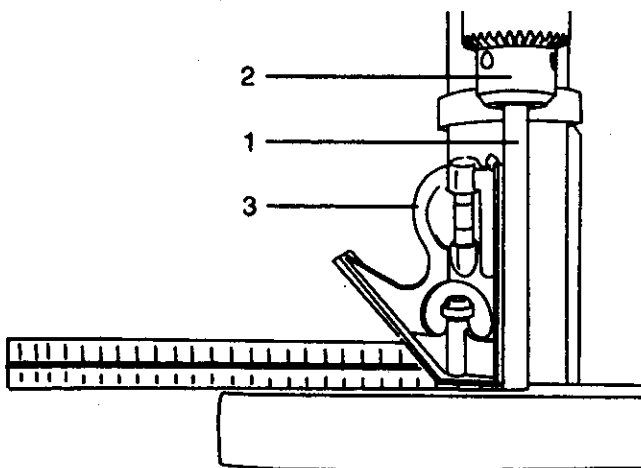
To prevent personal injury, always disconnect the plug from the power source when making any adjustments.

### SQUARING TABLE TO HEAD (FIG. K and L)

**NOTE:** The table arm and support has a predrilled hole with a locking set screw inserted for locking the table to a predetermined 0° horizontal position. It must be loosened to change the angle of the table.

1. Insert a 1/4", or larger diameter, precision ground steel rod (1), approximately 3" long, into the chuck (2). Tighten the chuck jaws.
2. Raise table to working height and lock.
3. Using the combination square (3), place one edge flat on the table, and align the other edge vertically beside the rod (1).

Fig. K



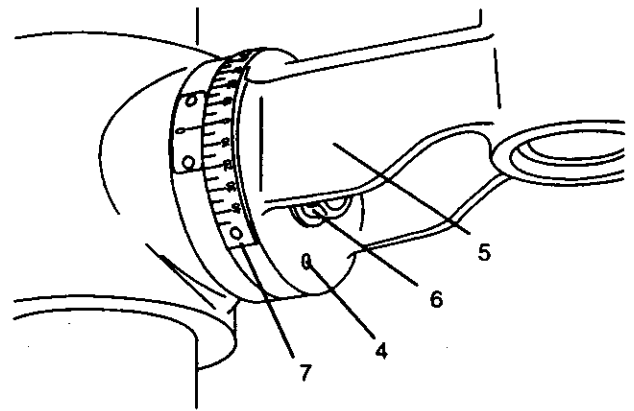
4. If an adjustment is necessary, loosen the locking set screw (4) with the 3 mm hex key to RELEASE the table from the horizontal position.
5. Loosen the large hex head bevel locking bolt (6).

### ▲ WARNING

To prevent injury, be sure to hold the table & table arm assembly, so it will not swivel or tilt.

6. Align the square to the rod by rotating the table until the square and rod are in line.
7. Retighten the large hex bolt. (6).

Fig. L



### BEVEL SCALE (FIG. L and M)

**NOTE:** The bevel scale has been included to measure approximate bevel angles. If precision is necessary, a square or other measuring tool should be used to position the table. To use the bevel scale (7):

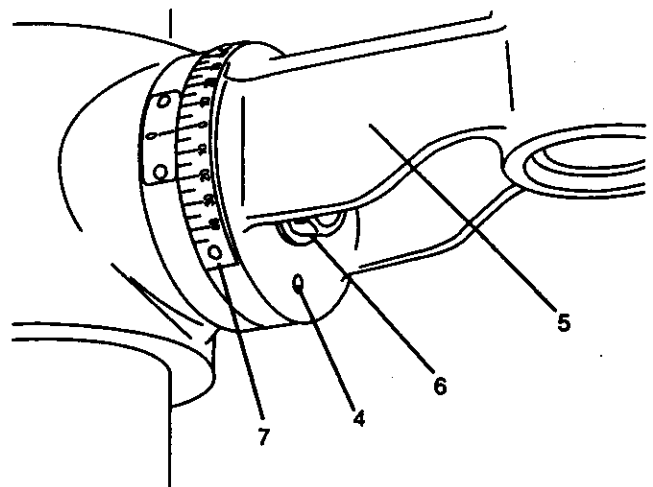
1. Loosen the locking set screw (4) to RELEASE it from the table support.
2. Loosen the large hex head bevel locking bolt (6).

### ▲ WARNING

To prevent injury, be sure to hold the table & table arm assembly, so it will not swivel or tilt.

3. Tilt the table, aligning the desired angle measurement to the zero line opposite the scale (7).
4. Tighten the bevel locking bolt. (6).
5. To return the table to its original position, loosen the bevel locking bolt (6). Realign the bevel scale (7) to the 0° position.
6. Tighten the locking set screw (4) until it is seated in the horizontal 0° hole of the table support.

Fig. M



**▲ WARNING**

To prevent personal injury, always disconnect plug from the power source when making any adjustments.

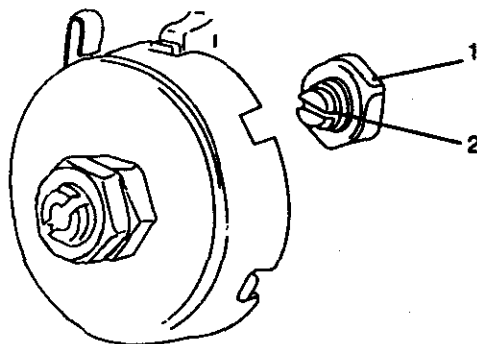
**SPINDLE/QUILL (FIG. N)**

Rotate the feed handles counterclockwise to lower spindle to its lowest position. Hand support the spindle securely and move it back and forth around its axis.

If there is too much play, do the following:

1. Loosen the lock nut (1).
2. Turn the screw (2) clockwise to eliminate the play, but without obstructing the upward movement of the spindle. (A little play in the spindle is normal.)
3. Tighten the lock nut (1).

**Fig. N**



**QUILL RETURN SPRING (FIG. O)**

The quill return spring may need adjustment if the tension causes the quill to return too rapidly or too slowly.

1. Lower the table for additional clearance.
2. Place a screwdriver in the lower front notch (1) of the spring cap (2). Hold it in place while loosening and removing only the outer jam nut (3).
3. With the screwdriver still engaged in the notch, loosen the inner nut (4) just until the notch (5) disengages from the boss (6) on the drill press head.

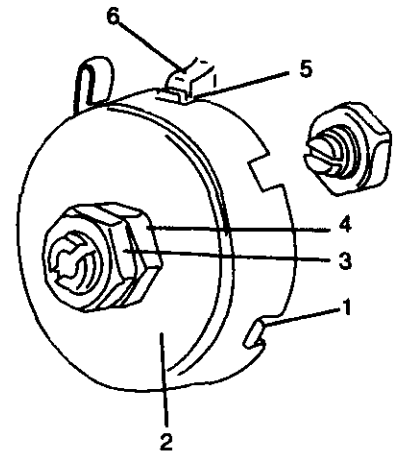
**CAUTION: DO NOT REMOVE THIS INNER NUT,** because the spring will forcibly unwind.

4. Carefully turn the spring cap (2) counterclockwise with the screwdriver, engaging the next notch.
5. Lower the quill to the lowest position by rotating the feed handle in a counterclockwise direction while holding the spring cap (2) in position.
6. If the quill moves up and down as easily as you desire, tighten the standard nut (4) with the adjustable wrench. If too loose, repeat steps 2 through 5 to tighten. If too tight, perform step 4, then 5.

**DO NOT OVERTIGHTEN** and restrict quill movement.

7. Replace the jam nut (3) and tighten against the standard nut (4) to prevent the standard nut from reversing.

**Fig. O**



**▲ WARNING**

To avoid injury from an accidental start, ALWAYS make sure the switch is in the "OFF" position, the switch key is removed, and the plug is not connected to the power source outlet before making belt adjustments.

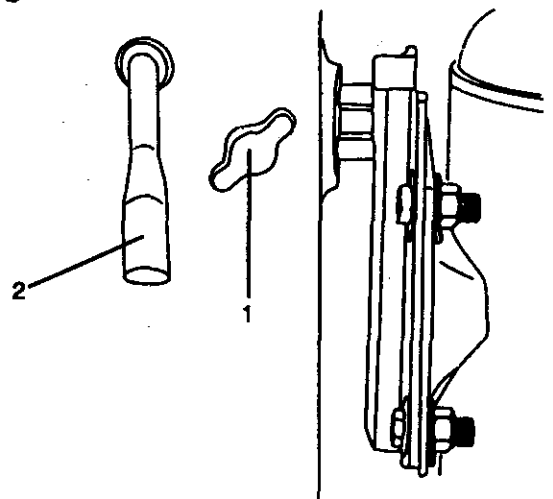
**BELT TENSION (FIG. P)**

Make sure pulleys are aligned properly as shown in Figure R on page 15.

1. To unlock the belt tension, turn the belt tension lock knobs (1) on each side of the drill press head counterclockwise.
2. Tighten the belts by turning the belt tension handle (2) clockwise.
3. Loosen the belts by turning the belt tension handle (2) counterclockwise. Set belts on pulley steps for desired speed.
4. Lock the belt tension lock knobs (1) by turning clockwise.

**NOTE:** Belt tension is correct if the belt deflects approximately 1/2 inch when pressed at its center.

**Fig. P**



## ▲ WARNING

To avoid injury from an accidental start, ALWAYS make sure the switch is in the "OFF" position, the switch key is removed, and the plug is not connected to the power source outlet before making belt adjustments.

### ALIGNING THE BELT PULLEYS (FIG. Q)

Open the head cover of the Drill Press. Check alignment of the pulleys with a straight edge (5) such as a framing square, a level, or a piece of wood. Lay the straight edge across the top of the pulleys. If all three pulleys are NOT aligned:

1. Release belt pressure by loosening the belt tension lock knobs (4) on either side of the head, unlocking the belt tension handle (1).
2. Loosen the motor mount nuts (2). Lift or lower the motor (3) until the pulleys are in line.
3. Tighten the motor mount nuts (2) using an adjustable wrench.

**NOTE:** To avoid rattles or other noise, the motor housing should not touch the lower belt guard housing.

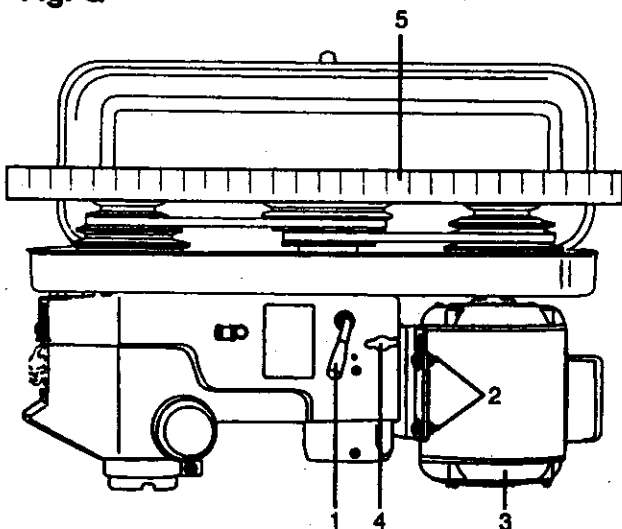
4. Retighten the belts by turning the belt tension handle (1) clockwise, until the belt deflects approximately 1/2 inch when pressed in the center.

**NOTE:** Refer to the chart inside the belt guard cover for recommended drilling speeds and belt / pulley positions.

5. Lock the belt tension lock knobs (4) by turning clockwise.

**NOTE:** When the belts are new, it may be difficult to move the belts. As the machine is used, the belts will gain more elasticity and will be easier to adjust.

Fig. Q



## OPERATION

### BASIC DRILL PRESS OPERATIONS

#### SPEEDS AND BELT PLACEMENT (FIG. R)

This drill press has 16 speeds, as listed below:

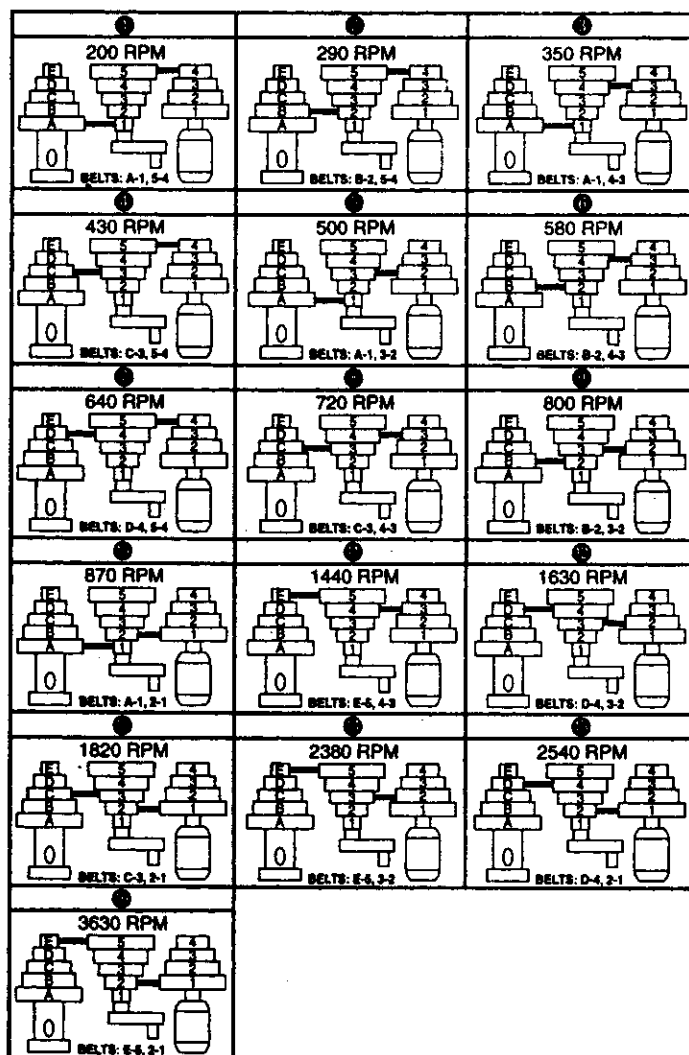
200 RPM	500 RPM	800 RPM	1820 RPM
290 RPM	580 RPM	870 RPM	2380 RPM
350 RPM	640 RPM	1440 RPM	2540 RPM
430 RPM	720 RPM	1630 RPM	3630 RPM

See inside of the belt guard for specific placement of the belts on the pulleys to change speeds.

## ▲ WARNING

To avoid possible injury, keep guard closed, in place, and in proper working order while tool is in operation.

Fig. R

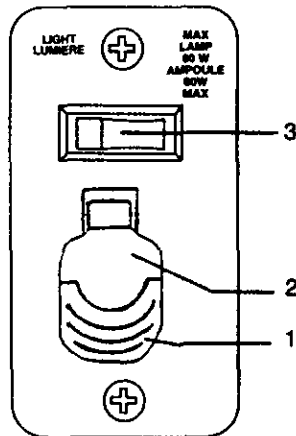


### ON / OFF SWITCH PANEL (FIG. S)

The "ON / OFF" switch has a removable, yellow plastic key. With the key removed from the switch, unauthorized and hazardous use by children and others is minimized.

1. To turn the drill press "ON", insert key (1) into the slot of the switch (2), and move the switch upward to the "ON" position.
2. To turn the drill press "OFF", move the switch downward.
3. To lock the switch in the "OFF" position, grasp the end, or yellow part, of the switch toggle, and pull it out.
4. With the switch key removed, the switch will not operate.
5. If the switch key is removed while the drill press is running, it can be turned "OFF" but cannot be restarted without inserting the switch key.
6. To turn the worklight "ON", press the rocker switch (3).
7. Never leave the drill press unattended. Turn the light switch and power switch "OFF" and wait until it comes to a complete stop.

Fig. S



### ▲ WARNING

ALWAYS lock the switch "OFF" when the drill press is not in use. Remove the key and keep it in a safe place. In the event of a power failure, blown fuse, or tripped circuit breaker, turn the switch "OFF" and remove the key, preventing an accidental startup when the power comes on.

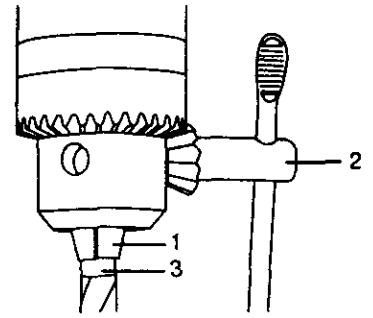
### INSTALLING DRILL BIT IN CHUCK (FIG. T)

1. With the switch "OFF" and the yellow switch key removed, open the chuck jaws (1) using the chuck key (2). Turn the chuck key counterclockwise to open the chuck jaws (1).
2. Insert the drill bit (3) into the chuck far enough to obtain maximum gripping by the jaws, but not far enough to touch the spiral grooves (flutes) of the drill bit when the jaws are tightened.
3. Make sure that the drill is centered in the chuck.
4. Turn the chuck key clockwise to tighten the jaws.

### ▲ WARNING

To avoid injury or accident by the chuck key ejecting forcibly from the chuck when the power is turned "ON", use only the self-ejecting chuck key supplied with this drill press. ALWAYS recheck and remove the chuck key before turning the power "ON".

Fig. T



### ▲ WARNING

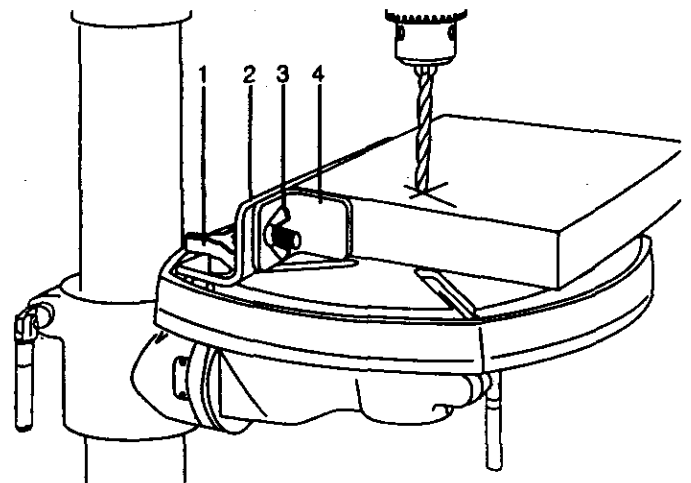
To prevent the workpiece or backup material from being torn from your hands while drilling, you MUST position the workpiece against the LEFT side of the column. If the workpiece or the backup material is not long enough to reach the column, clamp it to the table, or use the fence provided with the drill press to brace the workpiece. Failure to secure the workpiece could result in personal injury.

### USING THE FENCE (FIG. U)

The fence provides a way of accurately and quickly setting up the workpiece for more precision or for repetitive drilling operations.

1. Using a centerpunch or sharp nail, make an indentation in the workpiece where you want to drill.
2. Lower the drill bit to align with the indentation on the workpiece. See "HOLDING A DRILLING LOCATION" page 19.
3. Loosen the knobs (1) and slide the fence back stop (2) firmly against the long side of the workpiece. Tighten the knobs when in position.
4. Loosen the wing nut (3) and slide the end stop (4) along the fence until it is firmly against the left side of the workpiece. Tighten the wing nut.
5. Check the accuracy by drilling a scrap workpiece. Adjust if needed.
6. Hold with your hand or clamp the top surface of the workpiece firmly to prevent it from lifting off the table when the bit is raised.

Fig. U





### DRILLING TO A SPECIFIC DEPTH (FIG. V)

Drilling a blind hole (not all the way through workpiece) to a given depth can be done two ways:

#### Workpiece method

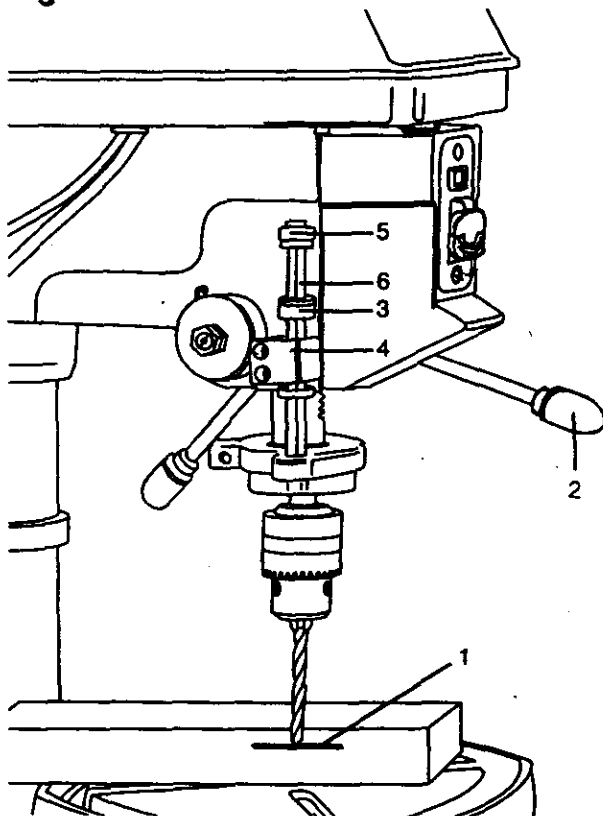
1. Mark the depth (1) of the hole on the side of the workpiece.
2. With the switch "OFF", bring the drill bit down until the tip is even with the mark.
3. Hold the feed handle (2) at this position.
4. Spin the lower nut (3) down to contact the depth stop (4) on the head.
5. Spin the upper nut (5) down and tighten against the lower nut (3).
6. The drill bit will now stop after traveling the distance marked on the workpiece.

#### Depth scale method

**NOTE:** With the chuck up the tip of the drill bit must be just slightly above the top of the workpiece.

1. With the switch "OFF", turn the feed handle (2) until the depth stop (4) points to the desired depth on the depth scale (6) and hold the feed handle in that position.
2. Spin the lower nut (3) down to contact the depth stop (4).
3. Spin the upper nut (5) against the lower nut (3) and tighten.
4. The drill bit will stop after traveling the distance selected on the depth scale.

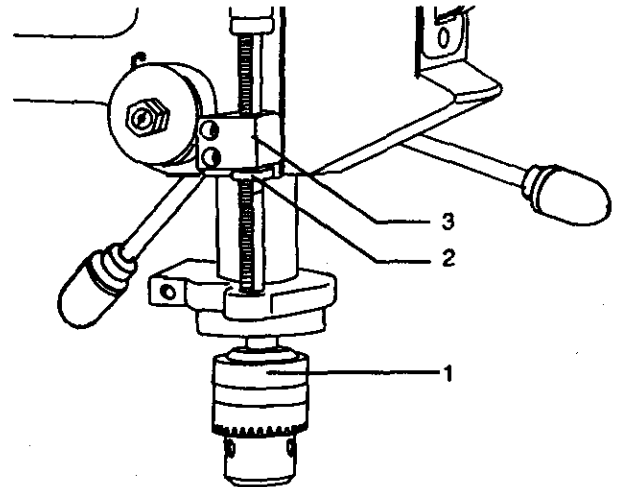
Fig. V



### LOCKING THE CHUCK AT THE DESIRED DEPTH (FIG. W)

1. With the switch "OFF", turn the feed handles until the chuck (1) is at the desired depth. Hold the feed handles at this position.
2. Turn the stop nut (2), located under the depth stop (3), counterclockwise and upwards until it is against the depth stop.
3. The chuck will now be held at this position when the feed handles are released.

Fig. W

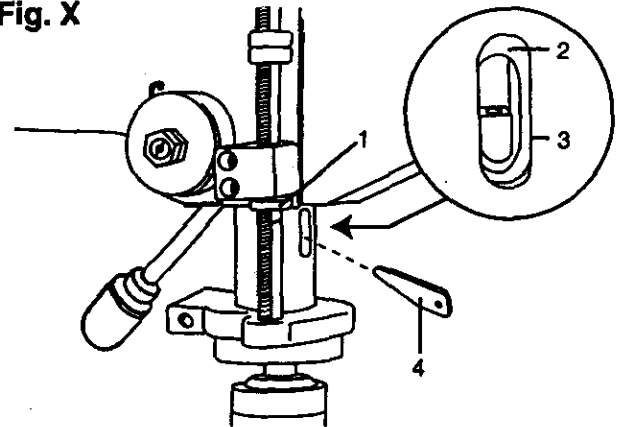


### REMOVING CHUCK AND ARBOR (FIG. X)

1. With the switch OFF, adjust the depth stop nut (1) to hold the drill at a depth of three inches. (See instructions for "LOCKING CHUCK AT DESIRED DEPTH").
2. Align the key holes in the spindle (2) and quill (3) by rotating the chuck by hand.
3. Insert the key wedge (4) into the key holes (2 & 3).
4. Tap the key wedge (4) lightly with a plastic tipped hammer, until the chuck and arbor fall out of the spindle.

**NOTE:** Place one hand below the chuck to catch it when it falls out.

Fig. X



## BASIC OPERATION INSTRUCTIONS

To get the best results and minimize the likelihood of personal injury, follow these instructions for operating your drill press.

### **▲ WARNING**

For your own safety, always observe the SAFETY INSTRUCTIONS listed here and on pages 3, 4, and 5 of the instruction manual.

## YOUR PROTECTION

### **▲ WARNING**

To avoid being pulled into the power tool, do not wear loose clothing, gloves, neckties, or jewelry. Always tie back long hair.

1. If any part of your drill press is missing, malfunctioning, damaged or broken, stop operation immediately until that part is properly repaired or replaced.
2. Never place your fingers in a position where they could contact the drill bit or other cutting tool. The workpiece may unexpectedly shift, or your hand could slip.
3. To avoid injury from parts thrown by the spring, follow instructions exactly when adjusting the spring tension of the quill.
4. To prevent the workpiece from being torn from your hands, thrown, spun by the tool, or shattered, always properly support your workpiece as follows:
  - a. Always position BACKUP MATERIAL (used beneath workpiece) so that it contacts the left side of the column, or use the fence provided and a clamp to brace a smaller workpiece.
  - b. Whenever possible, position the WORKPIECE to contact the left side of the column. If it is too short or the table is tilted, use the fence provided or clamp solidly to the table, using the table slots.
  - c. When using a drill press vise, always fasten it to the table.
  - d. Never do any work freehand (hand-holding the workpiece rather than supporting it on the table), except when polishing.
  - e. Securely lock the head and support to the column, the table arm to the support, and the table to the table arm, before operating the drill press.
  - f. Never move the head or the table while the tool is running.
  - g. Before starting an operation, jog the motor switch to make sure the drill or other cutting tool does not wobble or cause vibration.
  - h. If a workpiece overhangs the table so it will fall or tip if not held, clamp it to the table or provide auxiliary support.
  - i. Use fixtures for unusual operations to adequately hold, guide, and position workpiece.

- j. Use the SPINDLE SPEED recommended for the specific operation and workpiece material. Check the panel on the inside pulley cover or the chart below for drilling speed information. For accessories, refer to the instructions provided with each accessory.

5. Never climb on the drill press table, it could break or pull the entire drill press down on you.
6. Turn the motor switch "OFF", and put away the switch key when leaving the drill press.
7. To avoid injury from thrown work or tool contact, do not perform layout, assembly, or set up work on the table while the cutting tool is rotating.

DRILLING SPEED TABLE (rpm)						
Drill Bit Diam. (Inches)	Material					
	Wood	Aluminum	Plastic	Mild Steel	Stainless	
1/32	3630	3630	3630	3630	3630	
1/16					1630	2830
1/8				1630	2830	870
3/16		2380	2380	870	580	
1/4		2540	2540			1440
5/16		1630	1630	580	350	
3/8		2380	2380			800
7/16		2380	870	870	350	200
1/2		1630	1440	1440		
9/16		580	580	800	580	800
5/8	800	800	800			

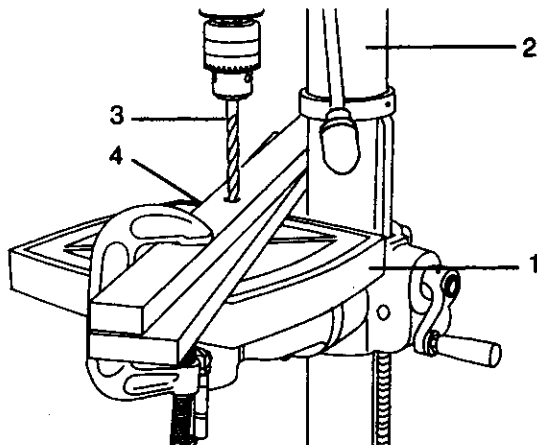
### POSITIONING THE TABLE AND WORKPIECE (FIG. Y, and Z)

1. Lock the table (1) to the column (2) at a position so the tip of the drill bit (3) is just above the top of the workpiece (4).
2. ALWAYS place a BACK-UP MATERIAL (scrap wood) on the table beneath the workpiece. This will prevent splintering or heavy burring on the underside of the workpiece. To keep the back-up material from spinning out of control, it MUST contact the LEFT side of the column.
3. For small pieces that cannot be clamped to the table, use a drill press vise (optional accessory).

#### ⚠ WARNING

To prevent the workpiece or backup material from being torn from your hands while drilling, you MUST position it against the LEFT side of the column. If the workpiece or the backup material is not long enough to reach the column, use the fence provided with the drill press to brace the workpiece, or clamp it to the table. Failure to do this could result in personal injury.

Fig. Y

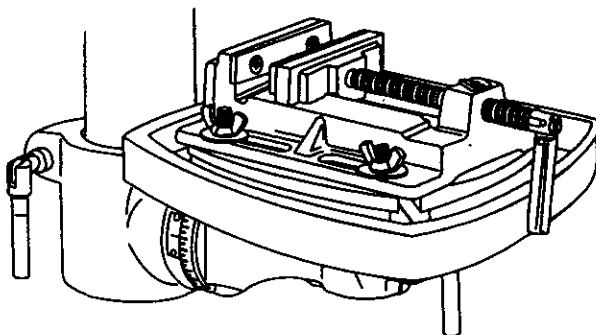


#### ⚠ WARNING

The drill press vise MUST be clamped or bolted to the table to avoid injury from a spinning workpiece, or damaged vise or bit parts.

Remove the drill press fence when it interferes with other drill press accessories.

Fig. Z



### HOLDING A DRILLING LOCATION

1. Using a centerpunch or sharp nail, make an indentation in the workpiece where you want the hole.
2. Using the feed handles, bring the drill down to align with the indentation before turning the drill ON.

### TILTING THE TABLE (FIG. AA)

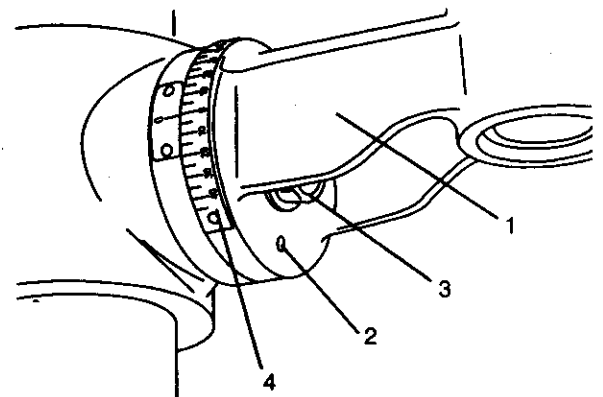
**NOTE:** The table arm and support (1) has a predrilled hole with a locking set screw inserted for locking the table into a predetermined 0° horizontal position.

1. To use the table in a bevel (tilted) position, turn the locking set screw (2) with the hex key counterclockwise to release it from the table support.
2. Loosen the large hex head bevel locking bolt (3).

#### ⚠ WARNING

To prevent injury, be sure to hold the table & table arm assembly, so it will not swivel or tilt.

Fig. AA



3. Tilt the table, aligning the desired angle measurement to the zero line opposite the scale (4). Tighten the bevel locking bolt.
4. To return the table to its original position, loosen the bevel locking bolt (3). Realign the bevel scale (4) to the 0° position.
5. Using the hex key, turn the locking set screw (2) clockwise to seat into the hole.

#### ⚠ WARNING

To avoid injury from spinning work or tool breakage, always clamp workpiece and backup material securely to the table before operating the drill press with the table tilted.

### FEEDING

1. Pull down the feed handles with only enough effort to allow the drill bit to cut.
2. Feeding too slowly might cause the drill bit to burn. Feeding too rapidly might stop the motor, cause the belt or drill to slip, or tear the workpiece loose and break the drill bit.
3. When drilling metal, it may be necessary to lubricate the drill bit tip with motor oil, to prevent burning the tip.

# MAINTENANCE

## MAINTAINING YOUR DRILL PRESS

### **⚠ WARNING**

For your own safety, turn the switch "OFF" and remove the plug from the power source outlet before maintaining or lubricating your drill press.

Frequently blow out, using an air compressor or dust vacuum, any dust that accumulates inside the motor.

A coat of automotive paste wax applied to the table and column will help to keep the surfaces clean.

### **⚠ WARNING**

To avoid shock or fire hazard, if the power cord is worn or cut in any way, have it replaced immediately.

## LUBRICATION

All of the drill press ball bearings are packed with grease at the factory. They require no further lubrication.

Periodically lubricate the gear and rack, table elevation mechanism of the spindle and the rack (teeth) of the quill.

# TROUBLESHOOTING

## TROUBLESHOOTING GUIDE

### **⚠ WARNING**

To avoid injury from an accidental start, turn the switch "OFF" and always remove the plug from the power source before making any adjustments.

- Consult your local Sears Service Center if for any reason the motor will not run.

PROBLEM	PROBABLE CAUSE	REMEDY
Noisy operation.	<ol style="list-style-type: none"> <li>1. Incorrect belt tension.</li> <li>2. Dry spindle.</li> <li>3. Loose spindle pulley.</li> <li>4. Loose motor pulley.</li> </ol>	<ol style="list-style-type: none"> <li>1. Adjust tension. See Section "ASSEMBLY - TENSIONING BELT"</li> <li>2. Lubricate spindle. See Section "LUBRICATION".</li> <li>3. Check tightness of retaining nut on pulley, and tighten if necessary.</li> <li>4. Tighten set screw in motor pulley.</li> </ol>
Drill bit burns.	<ol style="list-style-type: none"> <li>1. Incorrect speed.</li> <li>2. Chips not coming out of hole.</li> <li>3. Dull drill bit.</li> <li>4. Feeding too slowly.</li> <li>5. Not lubricated.</li> </ol>	<ol style="list-style-type: none"> <li>1. Change speed. See Section "BASIC DRILL PRESS OPERATION - SPINDLE SPEEDS"</li> <li>2. Retract drill frequently to clear chips.</li> <li>3. Resharpen drill bit.</li> <li>4. Feed fast enough - allow drill to cut.</li> <li>5. Lubricate drill. See Section "BASIC DRILL PRESS OPERATION-FEEDING"</li> </ol>
Run out of drill bit point - drilled hole not round.	<ol style="list-style-type: none"> <li>1. Hard grain in wood or lengths of cutting flutes and/or angles not equal.</li> <li>2. Bent drill bit.</li> </ol>	<ol style="list-style-type: none"> <li>1. Resharpen drill bit correctly.</li> <li>2. Replace drill bit.</li> </ol>
Wood splinters on underside.	<ol style="list-style-type: none"> <li>1. No backup material under workpiece.</li> </ol>	<ol style="list-style-type: none"> <li>1. Use backup material. See Section "BASIC DRILL PRESS OPERATION".</li> </ol>
Workpiece torn loose from hand.	<ol style="list-style-type: none"> <li>1. Not supported or clamped properly.</li> </ol>	<ol style="list-style-type: none"> <li>1. Support workpiece or clamp it. See Section "BASIC DRILL PRESS OPERATION".</li> </ol>
Drill bit binds in workpiece.	<ol style="list-style-type: none"> <li>1. Workpiece pinching drill bit, or excessive feed pressure.</li> <li>2. Improper belt tension.</li> </ol>	<ol style="list-style-type: none"> <li>1. Support workpiece or clamp it. See Section "BASIC DRILL PRESS OPERATION".</li> <li>2. Adjust tension. See Section "ASSEMBLY - TENSIONING BELT"</li> </ol>
Excessive drill bit runout or wobble.	<ol style="list-style-type: none"> <li>1. Bent drill bit.</li> <li>2. Worn bearings.</li> <li>3. Drill bit not properly installed in chuck.</li> <li>4. Chuck not properly installed.</li> </ol>	<ol style="list-style-type: none"> <li>1. Use a straight drill bit.</li> <li>2. Replace bearings.</li> <li>3. Install drill properly. See Section "BASIC DRILL PRESS OPERATION" and "ASSEMBLY".</li> <li>4. Install chuck properly. See Section "ASSEMBLY -INSTALLING THE CHUCK".</li> </ol>
Quill returns too slow or too fast.	<ol style="list-style-type: none"> <li>1. Spring has improper tension.</li> </ol>	<ol style="list-style-type: none"> <li>1. Adjust spring tension. See Section "ASSEMBLY-ADJUSTMENTS - QUILL RETURN SPRING".</li> </ol>
Chuck will not stay attached to spindle. It falls off when trying to install.	<ol style="list-style-type: none"> <li>1. Dirt, grease, or oil on the tapered inside surface of chuck or on the spindle's tapered surface.</li> </ol>	<ol style="list-style-type: none"> <li>1. Using a household detergent, clean the tapered surface of the chuck and spindle to remove all dirt, grease and oil. See Section "ASSEMBLY - INSTALLING THE CHUCK"</li> </ol>

# PARTS

## 17" DRILL PRESS PARTS LIST

MODEL NO. 137.229171

### ⚠ WARNING

When servicing use only CRAFTSMAN replacement parts. Use of any other parts may create a HAZARD or cause product damage.

### ⚠ WARNING

Any attempt to repair or replace electrical parts on this Drill Press may create a HAZARD unless repair is done by a qualified service technician. Repair service is available at your nearest Sears Service Center.

Always order by PART NUMBER, not by key number.

Key	Description	Size	Qty.	Key	Description	Size	Qty.
05UE	BASE		1	06SY	SWITCH BOX		1
05GB	COLUMN ASS'Y		1	0KDK	CR. RE. PAN HD. SCREW	M5*0.8-16	2
0JQ0	HEX. HD. BOLT	M10*1.5-40	4	0SG4	PULLEY COVER ASS'Y		1
06RY	TABLE BRACKET ASS'Y		1	0SGL	CENTER PULLEY ASS'Y		1
05UW	WORM		1	0JHK	V-BELT		1
05UY	CRANK HANDLE ASS'Y		1	0J8F	FLAT WASHER		4
05V8	TILTING SCALE		1	0KPY	HEX. NUT	1/2*20 T=6.5	2
06RZ	CENTERING SCALE		1	04A4	CLAMP-CORD		3
0SGF	COLUMN LOCK HANDLE		1	0KDH	CR. RE. PAN HD. SCREW	M5*0.8-8	3
05VD	TABLE LOCK HANDLE		1	061R	CHUCK KEY HOLDER		1
06S1	TABLE		1	0JHH	V-BELT		1
05VQ	RACK		1	06TS	SWITCH COVER		1
06K1	RACK RING ASS'Y		1	0K94	CR. RE. TRUSS HD. TAPPING SCREW	M5*12-16	2
06S9	HEAD ASS'Y		1	06KV	MOTOR ROD		1
0JXL	HEX. SOC. SET SCREW	M10*1.5-12	2	0JCM	SPRING PIN		2
072B	HANDLE SHIFTER		1	06ZX	WARNING LABEL		1
05WL	MOTOR BAR SHIFTER ASS'Y		1	22B1	MOTOR LABEL		1
06K9	MOTOR ROD		1	22AY	SPEED DIAGRAM		1
0SGN	SHIFTER BOLT		1	04Q4	STICKER		1
05WV	MOTOR BASE		1	0SGY	TRADE-MARK LABEL		1
0J9M	SPRING WASHER	φ1/2"	2	0K9X	DRIVE SCREW	φ 2.3-5	4
0KMX	HEX. NUT	M12*1.75 T=1	2	0K9X	DRIVE SCREW	φ 2.3-5	2
0SGP	HUB ASS'Y		1	0SG3	HARDWARE BAG ASS'Y		1
0SGG	HANDLE BAR ASS'Y		1	0711	LOCK KNOB		2
05XK	SCALE RING		1	0J7J	FLAT WASHER	3/8*1 5/32-7/16	2
0VJK	SPRING CAP ASS'Y		1	0712	PARALLEL BRACKET		1
05Y1	SPRING RETAINER		1	0713	SLIDE PLATE		2
05Y2	QUILL SET SCREW	M10*1.5-28	1	0KJ0	CAP HD. SQ. NECK BOLT	M6*1.0-16	1
0KMV	HEX. NUT	M10*1.5 T=8	1	0714	PLATE		1
05B8	SPINDLE ASS'Y		1	0KQ5	WING NUT	M6X1.0	1
0SGK	DRIVING SLEEVE ASS'Y		1	06SK	BULB SOCKET ASS'Y		1
05YS	PULLEY SET NUT		1	0KFF	CR. RE. PAN HD. SCREW	M5*0.8-8	2
06SR	SPINDLE PULLEY		1	0JAF	EXTERNAL TOOTH LOCK WASHER		2
0HY8	DRILLING ARBOR		1	0KDZ	CR. RE. PAN HD. SCREW	(... ) M6*1.0-35	2
0J28	CHUCK & KEY		1	06HB	PLUNGER HOUSING		1
0SGZ	CHUCK		1	0KMU	HEX. NUT	M10*1.5 T=8	1
0SH0	CHUCK KEY		1	0SGE	SET BOLT ASS'Y		1
05Z2	WEDGE SHIFTER		1	08CR	NUT	M16*2.0	2
0Q4B	MOTOR		1	08CQ	WASHER		1
0K18	HEX. HD. SCREW AND WASHER	M*1.25	4	0JUY	HEX. SOC. HD. CAP BOLT	M8*1.25-35	1
0J7F	FLAT WASHER	5/16*7/8-5/64	4	0715	SET RING		1
0KMY	HEX. NUT	M8*1.25 T=8	4	06HG	CIRCULAR NUT		1
06ST	MOTOR PULLEY ASS'Y		1	0KDU	CR. RE. PAN HD. SCREW	M6*1.0-12	3
0JG4	PARALLEL KEY		1	0K7K	CR. RE. ROUND WASHER HD. SCREW	M6*1.0-12	5
06SV	CLAMP-CORD		1	0J3M	WRENCH HEX.		1
0KUW	TERMINAL		1	0J3Q	WRENCH HEX.		1
0LWG	ROCKER SWITCH		1	0J3R	WRENCH HEX.		1
				0KYN	LEAD WIRE ASS'Y		1
				0KSQ	STRAIN RELIEF		1







# Get it fixed, at your home or ours!

## Your Home

For repair – **in your home** – of **all** major brand appliances, lawn and garden equipment, or heating and cooling systems, **no matter who made it, no matter who sold it!**

For the replacement parts, accessories and Operator's Manuals that you need to do-it-yourself

For Sears professional installation of home appliances and items like garage door openers and water heaters.

**1-800-4-MY-HOME®** (1-800-469-4663)

Call anytime, day or night (U S A. and Canada)

[www.sears.com](http://www.sears.com)    [www.sears.ca](http://www.sears.ca)

## Our Home

For repair of carry-in items like vacuums, lawn equipment, and electronics, call or go on-line for the location of your nearest **Sears Parts & Repair Center.**

**1-800-488-1222**

Call anytime, day or night (U S A only)

[www.sears.com](http://www.sears.com)

To purchase a protection agreement (U.S.A)  
or maintenance agreement (Canada) on a product serviced by Sears

**1-800-827-6655** (U S A )

**1-800-361-6665** (Canada)

Para pedir servicio de reparación  
a domicilio, y para ordenar piezas

**1-888-SU-HOGAR<sup>SM</sup>**

(1-888-784-6427)

Au Canada pour service en français

**1-800-LE-FOYER<sup>MC</sup>**

(1-800-533-6937)

[www.sears.ca](http://www.sears.ca)

# SEARS

® Registered Trademark / ™ Trademark / ™ Service Mark of Sears Roebuck and Co

® Marca Registrada / ™ Marca de Fabrica / ™ Marca de Servicio de Sears Roebuck and Co

MC Marque de commerce / MC Marque déposée de Sears Roebuck and Co

© Sears Roebuck and Co