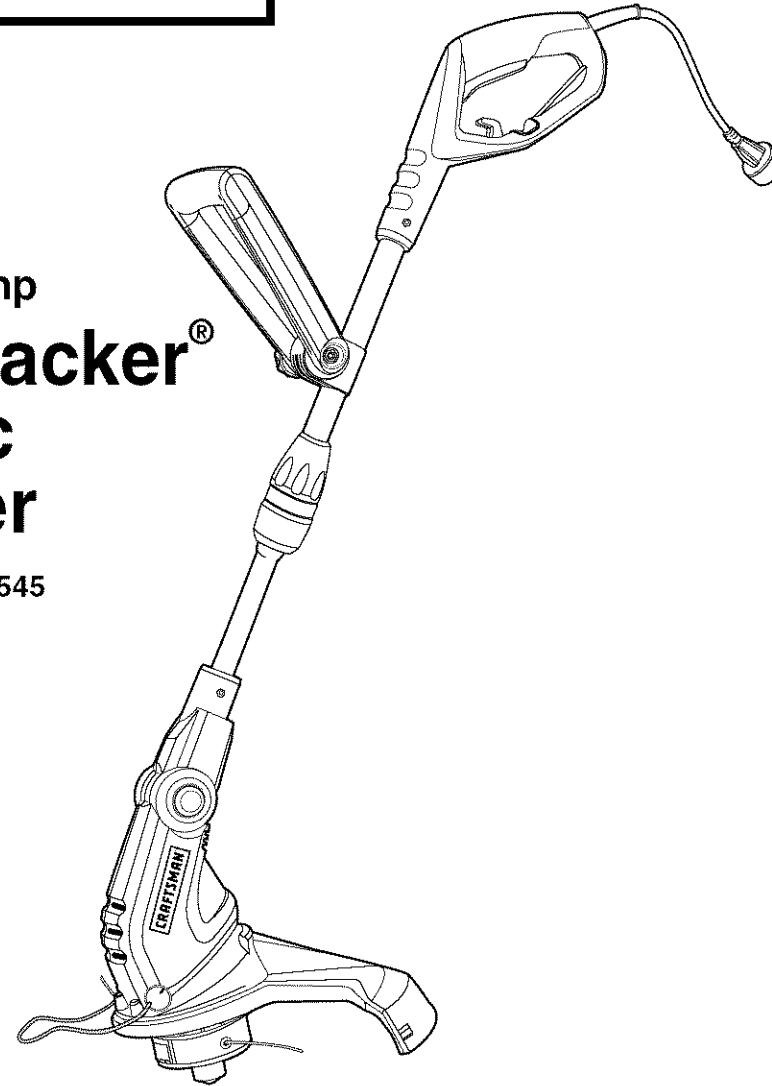


Operator's Manual

CRAFTSMAN[®]

15-in. 5.5 Amp
Weedwacker[®]
Electric
Trimmer

Model No. 172.74545



CAUTION: Read, understand and follow all Safety Rules and Operating Instructions in this Manual before using this product.

Sears, Roebuck and Co., Hoffman Estates, IL 60179 U.S.A
Visit our Craftsman[®] website: www.craftsman.com

- WARRANTY
- SAFETY
- ASSEMBLY
- OPERATION
- MAINTENANCE
- PARTS LIST

TABLE OF CONTENTS

Warranty.....	Page 2
Safety Symbols.....	Page 3
Safety Instructions.....	Pages 4 - 9
Unpacking.....	Page 10
Description.....	Pages 11 - 13
Assembly and Adjustments.....	Pages 13 - 17
Operation.....	Pages 17 - 21
Maintenance.....	Pages 22
Accessories.....	Pages 23
Parts List.....	Pages 24 - 25

TWO YEAR FULL WARRANTY ON CRAFTSMAN WEEDWACKER® ELECTRIC TRIMMER

If this Craftsman product fails due to a defect in material or workmanship within two years from the date of purchase, RETURN IT TO ANY SEARS STORE OR OTHER CRAFTSMAN OUTLET IN THE UNITED STATES FOR FREE REPLACEMENT.

This warranty does not include expendable parts such as cutting line, lamps, batteries, bits, blades, or bonnets.

If this Craftsman product is used for commercial or rental purposes, this warranty applies for only 90 days from the date of purchase.

This warranty gives you specific legal rights, and you may also have other rights, which vary from state to state.

Sears, Roebuck and Co., Hoffman Estates, IL

⚠ WARNING: Some dust created by using lawn and garden power tools contains chemicals known to the State of California to cause cancer and birth defects or other reproductive harm.

**SAVE THESE INSTRUCTIONS!
READ ALL INSTRUCTIONS!**

SAFETY SYMBOLS

The purpose of safety symbols is to attract your attention to possible dangers. The safety symbols, and the explanations with them, deserve your **careful attention and understanding**. The symbol warnings **DO NOT** by themselves eliminate any danger. The instructions and warnings they give are no substitutes for proper accident prevention measures.

⚠ WARNING: BE SURE to read and understand all safety instructions in this manual, including all safety alert symbols such as "DANGER", "WARNING" and "CAUTION", BEFORE using this tool. Failure to follow all instructions listed below may result in electric shock, fire and/or serious personal injury.

SYMBOL MEANING

⚠ SAFETY ALERT SYMBOL: Indicates DANGER, WARNING, OR CAUTION. May be used in conjunction with other symbols or pictographs.

⚠ DANGER Failure to obey this safety warning **WILL** result in death or serious injury to yourself or to others. Always follow the safety precautions to reduce the risk of fire, electric shock and personal injury.

⚠ WARNING Failure to obey this safety warning **CAN** result in death or serious injury to yourself or to others. Always follow the safety precautions to reduce the risk of fire, electric shock and personal injury.

⚠ CAUTION Failure to obey this safety warning **MAY** result in personal injury to yourself or others or property damage. Always follow the safety precautions to reduce the risk of fire, electric shock and personal injury.

DAMAGE PREVENTION AND INFORMATION MESSAGES

These inform user of **important information and/or instructions** that could lead to equipment or other property damage if not followed. Each message is preceded by the word "NOTE:" as in the example below:

NOTE: Equipment and/or property damage may result if these instructions are not followed.



⚠ WARNING: The operation of any trimmer can result in foreign objects being thrown into your eyes, which can result in severe eye damage. Before beginning power tool operation, **ALWAYS** wear safety goggles or safety glasses with side shields and a full-face shield when needed. We recommend a Wide Vision Safety Mask for use over eyeglasses or standard safety glasses with side shields, available at Sears Stores or other Craftsman Outlets.

SAFETY INSTRUCTIONS

⚠ WARNING: If correctly used, this electric trimmer is an easy to handle and efficient tool; if used improperly or without the due precautions it could become a dangerous tool. For pleasant and safe work, **ALWAYS** strictly comply with the safety rules that are contained in this manual.

⚠ WARNING: **BE SURE** to read and understand all instructions in this manual before using this electric trimmer. Failure to follow all instructions listed below may result in electric shock, fire and/or serious personal injury.

⚠ WARNING: To avoid mistakes that could cause serious injury, **DO NOT** plug in this trimmer until the following instructions have been read and understood.

WORK AREA SAFETY

1. **ALWAYS** avoid dangerous conditions. **DO NOT** use in wet or damp areas or expose to rain.
2. **DO NOT** operate in the presence of flammable liquids, gases, or dust. Electric tools create sparks which may ignite dust or fumes.
3. **ALWAYS** keep bystanders and visitors at a safe distance while operating a trimmer. **NEVER** allow children near the tool. Flying objects can injure anyone in the area.
4. **CHILDPROOF** your tools with padlocks and master switches. Lock tools away when not in use. This trimmer is not a toy.
5. **DO NOT** use trimmer at night. **ALWAYS** make sure you have adequate lighting.
6. **BEFORE** using the trimmer, remove any stones, sticks, debris or objects that could be entangled in or thrown by the trimmer.

PERSONAL SAFETY

⚠ WARNING: The operation of any trimmer can result in **FOREIGN OBJECTS BEING THROWN**, which can result in personal injury or property damage. **ALWAYS** use proper safety equipment.

1. **KNOW** your tool. Read the operator's manual carefully. Learn the electric trimmer's applications and limitations, as well as the specific potential hazards related to this tool.
2. **STAY ALERT**, watch what you are doing and use common sense when operating this tool.
3. **DO NOT** use tool while tired or under the influence of drugs, alcohol or medication. A moment of inattention while operating this tool may result in serious personal injury.
4. **DRESS properly**. Wear rubber gloves and substantial rubber soled footwear when working outdoors. **DO NOT** operate lawn and garden tools when barefoot or wearing open sandals. Wear long pants and long sleeves to protect your legs and arms. Trimmers can pick up objects such as rocks and send them flying at fast speeds. **DO NOT** wear loose clothing or jewelry. Keep your hair, clothing, and gloves away from moving parts. Loose clothing or long hair can be caught in moving parts.

SAFETY INSTRUCTIONS cont.

PERSONAL SAFETY cont.

5. **USE SAFETY EQUIPMENT.** Always wear safety goggles or safety glasses with side shields or full face shield, proper work shoes with rubber non-slip soles, heavy-duty non-slip rubber gloves and dust mask or respirator and hearing protection. Hard hat should be used for appropriate conditions.
6. **DO NOT overreach.** Keep proper footing and balance at all times. Proper footing and balance enables better control of the tool in unexpected situations.


TOOL USE AND CARE SAFETY

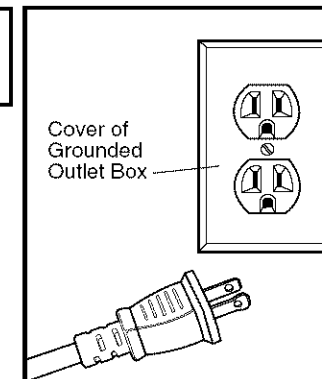
⚠ WARNING: **BE SURE** to read and understand all instructions before operating this tool. Failure to follow all instructions listed below may result in electric shock, fire and/or serious personal injury.

1. **DO NOT** use the tool if switch does not turn it "On" or "Off". Any tool that cannot be controlled with the switch is dangerous and must be repaired.
2. **DISCONNECT** the plug from the power source before making any adjustments, changing cutting line, or storing the tool. Such preventive safety measures reduce the risk of starting the tool accidentally.
3. **STORE** idle tools out of the reach of children and other untrained persons. **Children MUST NOT** operate the tool. Tools are dangerous in the hands of untrained users.
4. **MAINTAIN** tools with care. **ALWAYS** keep cutting tools clean and in good working order.
5. **CHECK** for misalignment or binding of moving parts, breakage of parts, and any other condition that may affect the tool's operation. **If damaged**, have the tool serviced before using. Many accidents are caused by poorly maintained tools.
6. **USE ONLY** cutting line that is recommended for this trimmer. Cutting line that may be suitable for one trimmer may become hazardous when used on another trimmer.

ELECTRICAL SAFETY

⚠ WARNING: Do not permit fingers to touch the terminals of plug when installing or removing the plug from the outlet.

1. Double insulated tools are equipped with a polarized plug (one blade is wider than the other). This plug will fit in a polarized outlet only one way. If the plug does not fit fully in the outlet, reverse the plug. If it still does not fit, contact a qualified electrician to install a polarized outlet. **Do not change or alter** the plug in any way.
2. Double insulation  eliminates the need for the three-wire grounded power cord and grounded power supply system. Applicable only to Class II (double-insulated) tools. This trimmer is a double insulated tool.



SAFETY INSTRUCTIONS cont.

ELECTRICAL SAFETY cont.

⚠ WARNING: GFCI (Ground Fault Circuit Interrupter) protection should be provided on all circuits or outlets to be used for electric lawn and garden power tools. Receptacles are available having built-in GFCI protection and should be used for this measure of protection.

⚠ CAUTION: This trimmer has a 12-in. Pigtail Power Cord that must be plugged into a proper extension cord (see below).

⚠ WARNING: Double insulation **DOES NOT** take the place of normal safety precautions when operating this tool.

- BEFORE** plugging in the tool, **BE SURE** that the outlet voltage supplied is within the voltage marked on the tool's data plate. **DO NOT** use "AC only" rated tools with a DC power supply.
- DO NOT** expose tools to rain or wet conditions or use electric tools in wet or damp locations. Water entering an electric tool will increase the risk of electric shock.
- If operating an electric tool in damp locations is unavoidable, **ALWAYS USE a Ground Fault Circuit Interrupter to supply power to your tool. ALWAYS WEAR electrician's rubber gloves and footwear in damp conditions.**
- When operating a power tool outside, **ALWAYS** use an outdoor extension cord marked "W-A" or "W". these cords are rated for outdoor use and reduce the risk of electric shock.
- INSPECT tool cords for damage.** Have damaged tool cords repaired at a Sears Service Center. **BE SURE** to stay constantly aware of the cord location and keep it well away from the spinning cutting lines.
- DO NOT abuse the cord. NEVER use the cord to carry the tool by or to pull the plug from the outlet.** Keep cord away from heat, oil, sharp edges or moving parts. Replace damaged cords immediately. Damaged cords increase the risk of electric shock.

EXTENSION CORDS

Use a proper extension cord. ONLY use cords listed by Underwriters Laboratories (UL). Other extension cords can cause a drop in line voltage, resulting in a loss of power and overheating of tool.

For this tool an AWG (American Wire Gauge) size of a least 14-gauge is recommended for an extension cord of 25- ft. or less in length. Use 12-gauge for an extension cord of 50-ft. **Extension cords 100-ft. or longer are not recommended.**

Remember, a **smaller wire gauge size has greater capacity than a larger number** (14-gauge wire has more capacity than 16-gauge wire; 12-gauge wire has more capacity than 14-gauge). When in doubt use the smaller number.

When operating a power tool outdoors, use an outdoor extension cord marked "W-A" or "W". These cords are rated for outdoor use and reduce the risk of electric shock.

⚠ CAUTION: Keep the extension cord clear of the work area. Position the cord so that it will not get caught on bushes, hedges, tree trunks, lawnmowers or other obstructions while you are working with the trimmer.

SAFETY INSTRUCTIONS cont.

EXTENSION CORDS cont.

⚠ WARNING: Check extension cords before each use. If damaged replace immediately. Never use tool with a damaged cord since touching the damaged area could cause electrical shock, resulting in serious injury.

The label on your tool may include the following symbols.

V.....	Volts
A.....	Amps
Hz.....	Hertz
W.....	Watts
min.....	Minutes
~.....	Alternating current
—.....	Direct current
no.....	No-load speed
□.....	Class II construction, Double Insulated
RPM.....	Revolutions per minute
SPM.....	Strokes per minute
OPM.....	Orbits per minute
⚠.....	Indicates danger, warning or caution. It means attention! Your safety is involved.

SERVICE SAFETY

- If any part of this trimmer is missing or should break, bend, or fail in any way; or should any electrical component fail to perform properly: **SHUT OFF** the power switch and remove the trimmer plug from the power source and have the missing, damaged or failed parts replaced **BEFORE** resuming operation.
- Tool service should be performed at a Sears Parts and Repair Center.** Service or maintenance performed by unqualified personnel could result in a risk of injury.
- When servicing a tool, use only identical replacement parts. Follow instructions in the maintenance section of this manual.** Use of unauthorized parts or failure to follow maintenance instructions may create a risk of electric shock or injury.

SAFETY RULES FOR ELECTRIC TRIMMERS

- KNOW your electric trimmer. Read operator's manual carefully.** Learn the applications and limitations, as well as the specific potential hazards related to this tool. Following this rule will reduce the risk of electric shock, fire or serious injury.
- DO NOT** use trimmer without adequate lighting. **ALWAYS** make sure that you can see what you are trimming and edging.
- Use trimmer **ONLY** when grass and weeds are dry.
- ALWAYS** remove objects such as stones, sticks, and debris from the trimming/edging path that could become entangled in, or thrown by, the trimmer.
- ALWAYS** hold the trimmer by both the main rear handle and the auxiliary handle for greater control and balance. **NEVER** reach under the safety guard.
- AVOID accidental starting. DO NOT** carry a plugged in trimmer with your finger on the switch.

SAFETY INSTRUCTIONS cont.

SAFETY RULES FOR ELECTRIC TRIMMERS cont.

7. **DO NOT** carry the trimmer by the cord or pull the cord to disconnect it from the receptacle. Keep cord away from heat, oil and sharp edges.
8. **DO NOT** grasp or touch the exposed cutting line when picking up or holding the trimmer.
9. **DO NOT FORCE the trimmer.** Do not try to cut more than what the trimmer is designed for. It will do a better job with less chance of injury when used at the rate for which it is designed.
10. **MAINTAIN** the trimmer with care. **ALWAYS** inspect the extension cord and replace it if damaged.
11. **KEEP the handle** dry, clean and free of oil and grease. Use a clean cloth when cleaning. **DO NOT** use solvents, brake fluids, gasoline, or other petroleum products to clean the trimmer. They can damage plastic parts.
12. **NEVER**, for any reason, touch the cutting line or other moving parts during use.
13. **WHEN INSTALLING SAFETY GUARD OR CUTTING LINE OR CHANGING CUTTING LINE SPOOL** be careful of the line cutter on the guard. Cutter is sharp and can cause injury (see page 14, Fig. 4a).
14. **KEEP guard in place** and in good working order. Keep guard positioned between you and cutting line. Keep hands and feet away from cutting line.
15. **ALWAYS** store the trimmer indoors when not in use. It should be stored in a dry place, high up or locked in a place that is out of the reach of children.
16. **ALWAYS** use only the cutting line provided with this trimmer or sold by Sears. Use of any other cutting line may create a hazardous situation.
17. **ALWAYS** keep ventilation openings clear of debris.
18. **BEFORE** using the trimmer, remove any stones, sticks, debris or objects that could be entangled in or thrown by the trimmer.
19. **NYLON CUTTING LINE** Keep face, hands and feet clear of rotating nylon line at all times.
20. **THE ROTATING LINE PERFORMS A CUTTING FUNCTION.** Use care when trimming around screens and flowers and other objects that you **DO NOT** want damaged or cut.
21. **KEEP ALL BYSTANDERS AWAY** at a safe distance from the work area, especially children. Make sure that persons and pets are at least 100 feet away.

⚠ IMPORTANT WARNING:

When this tool is being used as a trimmer or edger, stones and other objects can be thrown out at high speed by the line. The tool and guard are designed to help reduce the danger. However, the following special precautions should be taken.

TO REDUCE THE RISK of rebound or ricochet injury, always work away from any solid objects such as walls, steps, large stones, landscape bricks, timbers, trees, etc. Use extreme care when working close to solid objects and when necessary edge or trim by hand.

SAFETY INSTRUCTIONS cont.

⚠ WARNING: : Some dust particles created by lawn and garden tools contain chemicals known to cause cancer, birth defects or other reproductive harm. Some examples of these chemicals are:

- Compounds in fertilizers, herbicides, pesticides, and insecticides.
- Arsenic and chromium from chemically treated lumber.

Your risk from these exposures varies, depending upon how often you do this type of work. To reduce your exposure to these chemicals:

- Work in a well-ventilated area
- Work with approved safety equipment, such as those dust masks that are specially designed to filter out microscopic particles.

⚠ WARNING: NEVER reach under the trimmer (cutting line area) until trimmer has completely stopped. The trimmer's cutting line will continue to rotate for a few seconds after it is switched off.

ADDITIONAL RULES FOR SAFE OPERATION

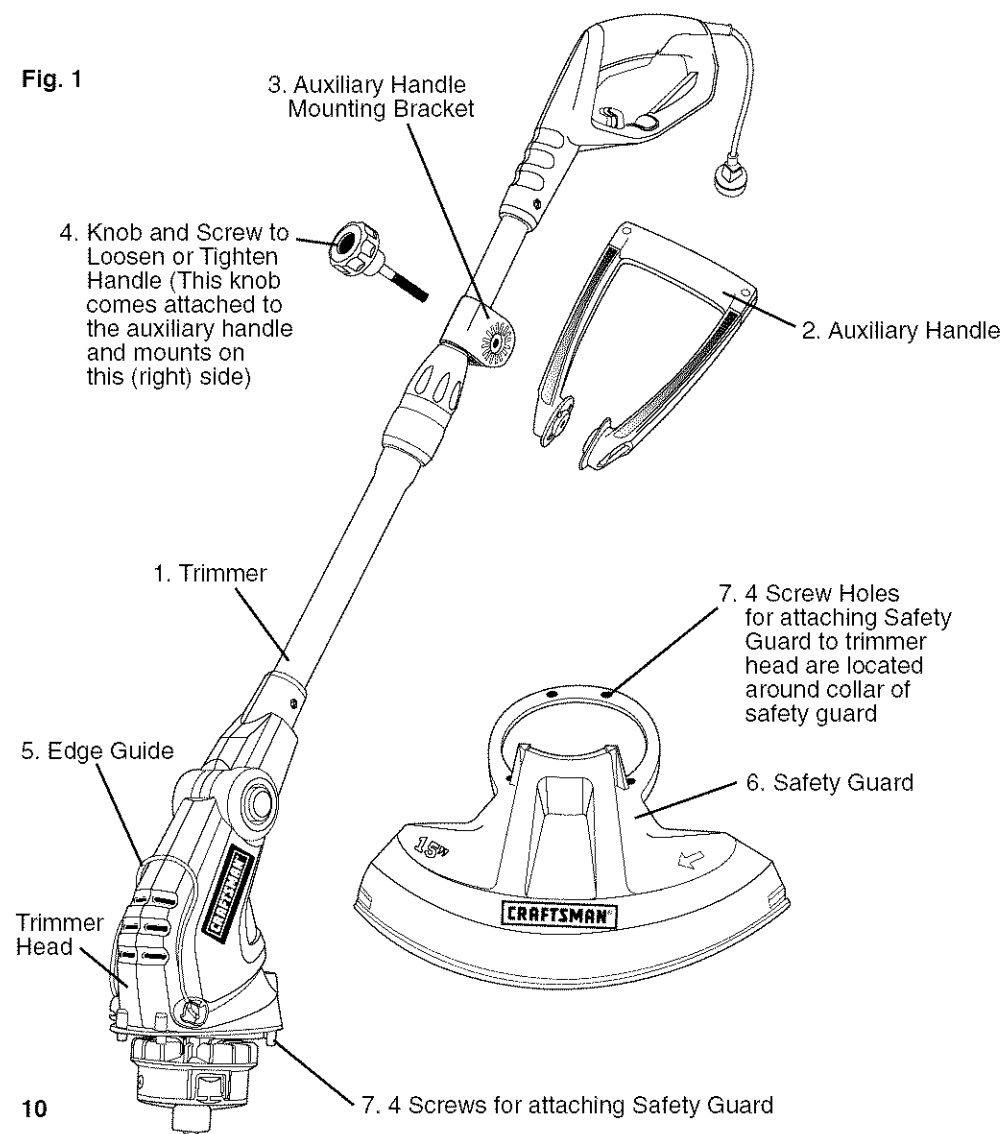
⚠ WARNING: BE SURE to read and understand all instructions. Failure to follow all instructions listed below may result in electric shock, fire and/or serious personal injury.

1. **ALWAYS wear safety glasses or eye shields when using this tool**
Everyday eyeglasses have only impact-resistant lenses; they are **NOT** safety glasses.
2. **PROTECT your lungs.** Wear a face mask, dust mask or respirator if the operation is dusty.
3. **PROTECT your hearing.** Wear appropriate personal hearing protection during use. Under some conditions noise from this product may contribute to hearing loss.
4. **ALL VISITORS AND BYSTANDERS MUST** wear the same safety equipment that the operator of the tool wears.
5. **ALWAYS check the tool for damaged parts.** Before further use of the tool, a guard or other part that is damaged should be carefully checked to determine if it will operate properly and perform its intended function. Check for misalignment or binding of moving parts, breakage of parts, and any other condition that may affect the tool's operation. A guard or other part that is damaged should be properly repaired or replaced at a Sears Service center.
6. **SAVE THESE INSTRUCTIONS.** Refer to them frequently and use them to instruct others who may use this tool. If someone borrows this tool, make sure they have these instructions also.

UNPACKING

1. The trimmer comes assembled except for the **safety guard** and **auxiliary handle**, which must be attached.
2. Remove the **trimmer**, **auxiliary handle** and **safety guard** from the carton and inspect your trimmer.
3. Do not discard box or packing material until all parts are examined.

⚠ WARNING: If any part of the trimmer is missing or damaged, do not plug in the trimmer until the damaged part is repaired or replaced.



DESCRIPTION

KNOW YOUR TRIMMER / EDGER (Fig. 2, 2a, 2b and 3)

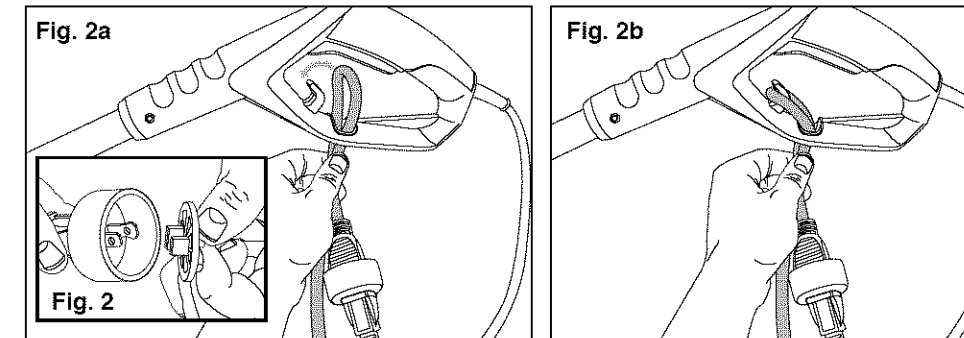
NOTE: Before attempting to use this product, familiarize yourself with all operating features and safety rules.

Your trimmer/edger has a precision built electric motor and it should only be connected to a 120-volt, 60 Hz AC ONLY power supply (normal household current). The trimmer should always be used with a GFCI (Ground Fault Circuit Interrupter) outlet.

DO NOT operate this trimmer on direct current (DC). The large voltage drop would cause a loss of power and the motor would overheat.

If the trimmer does not operate when plugged into correct 120-volt, 60 Hz AC ONLY outlet, check the power supply. The trimmer comes with a 12-in. pigtail power cord and should be plugged into a proper extension cord.

PIGTAIL POWER CORD (Fig. 2 and 2a)



Your trimmer/edger has a 12-inch pigtail power cord. This cord must be attached to a proper extension cord (see page 6). Remove the plug guard from the pigtail power cord (see Fig. 2). Make a loop in the extension cord. Push loop through hole in the handle (see Fig. 2a). Fasten loop around cord retention hook. Plug trimmer's power cord into extension cord plug (see Fig. 2b).

This Trimmer/Edger has the following features:

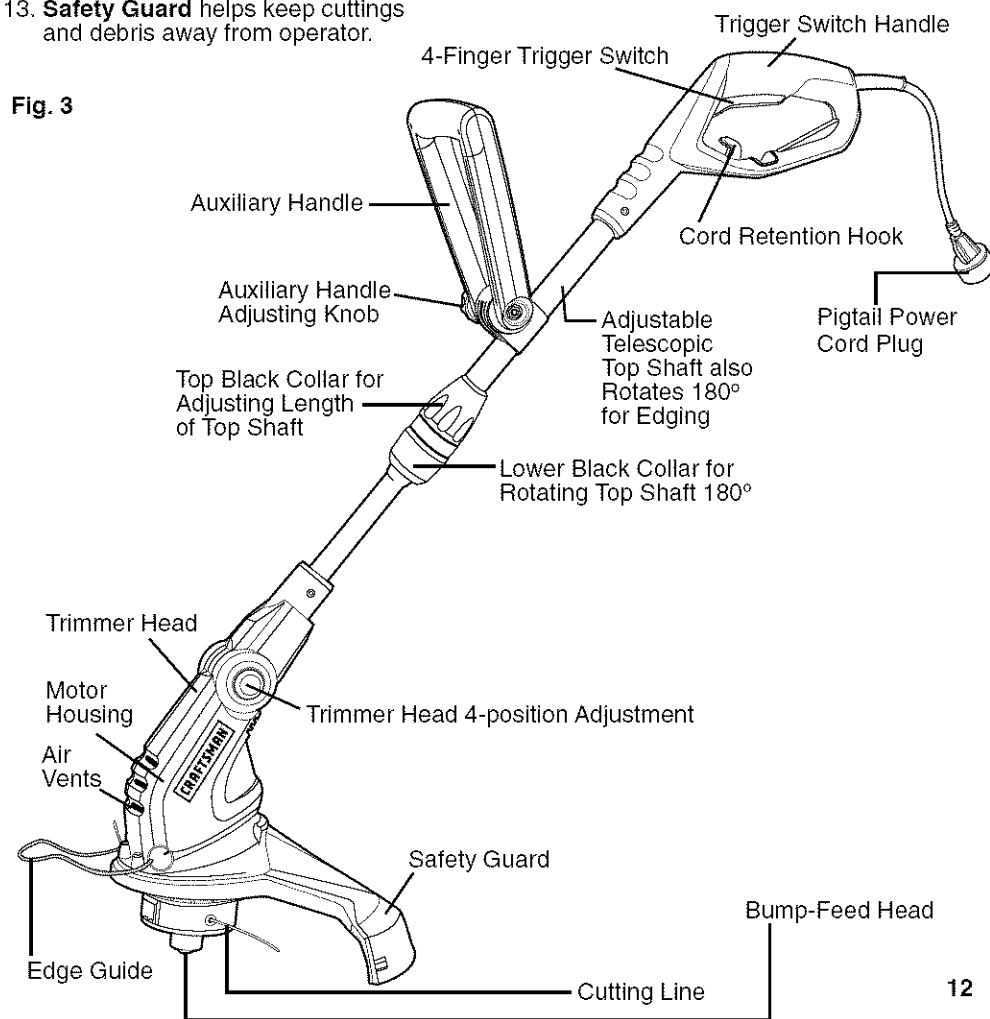
1. **15-inch Cutting Path**
2. **Twist and Edge . . . Two Tools in One.** . . . rear handle and upper shaft (and auxiliary handle) easily rotates 180° for trimming or edging.
3. **5.5 Amp, 7200 RPM (no-load speed) motor.** Provides power for trimming and edging in medium duty applications.
4. **Ergonomically Designed Rear Handle** for maximum control and gripping comfort with reduced operator fatigue.
5. **Four finger Trigger Switch** for easy on / off.
6. **4-Position Trimmer Head** easily adjusts to the desired working angle for optimum operator control in all trimming and edging applications. From trimming around hard-to-reach flower beds and shrubs, to deck supports, fences and stairways, to edging sidewalks, driveways and landscaping.

DESCRIPTION cont.

This Trimmer/Edger has the following features cont.:

7. **Edge Guide** provides a cutting guide to help protect flowers, plants, screens and fences from being cut by trimmer line.
8. **Adjustable Telescopic Shaft** allows adjustments from 16 to 25 inches for your ideal working height.
9. **Lightweight and Ergonomically Designed** for easy use, handling comfort and efficient trimming and edging.
10. **Bump-Feed Head** allows you to simply bump the trimmer head to advance cutting line.
11. **Your Trimmer uses** 0.065-in. round line. Use Craftsman 71-85967 bump feed replacement spool and line. It's factory wound for maximum reliability.
12. **Cord Retention Hook** helps keep the extension cord in place.
13. **Safety Guard** helps keep cuttings and debris away from operator.

Fig. 3



12

DESCRIPTION cont.

SPECIFICATIONS

Cutting Path	15 inches
Speed	7200 RPM
Rating	5.5 Amp
Line Diameter	0.065 inch round line
Line Feed Mechanism	Bump feed
Trimmer Head Tilt	4 positions
Adjust Height of Shaft	From 16 to 25 inches
Cord Length	12 inch Pigtail Power cord
Power Requirement	120-volt, 60 Hertz AC Only

ASSEMBLY & ADJUSTMENTS

NOTE: THE GUARD MUST BE ATTACHED to the trimmer head before use.

INSTALLING THE SAFETY GUARD (Figs. 4 and 4a)

1. Disconnect the trimmer from the power supply.

⚠ WARNING: To avoid injury, ALWAYS turn off and disconnect the trimmer from the power outlet BEFORE installing parts or cleaning the trimmer or making any adjustments.

2. Turn the trimmer's motor housing head over to provide access to underside base of the head by the cutting line spool.
3. Locate the 4 screws in the base of the trimmer head and remove the screws (see Fig. 4).

13

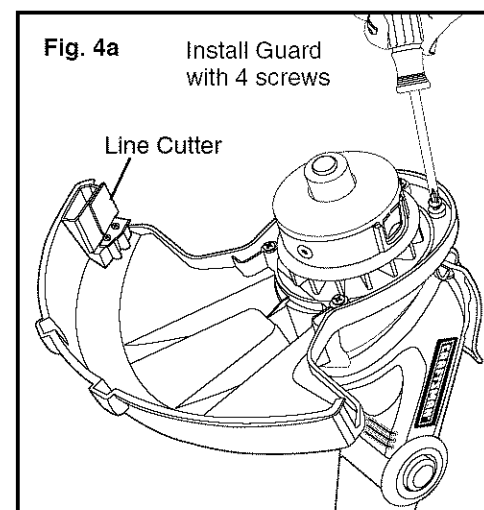
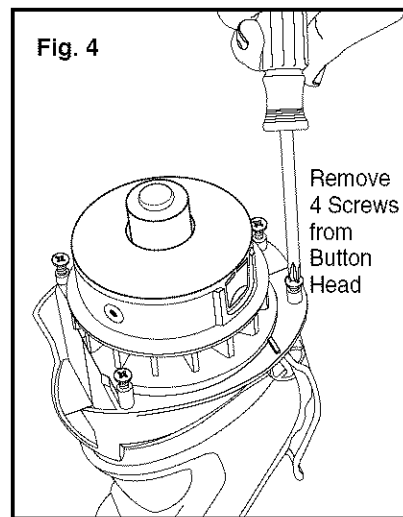
ASSEMBLY & ADJUSTMENTS cont.

INSTALLING THE SAFETY GUARD cont. (Figs. 4 and 4a)

4. Insert the edge of the guard into the slot along the back of the trimmer's head, carefully lining the 4 screw holes in the guard up with the 4 screw holes in the trimmer head.
5. Insert screws and securely attach the safety guard (see Fig. 4a).

NOTE: Safety Guard will only fit one way.

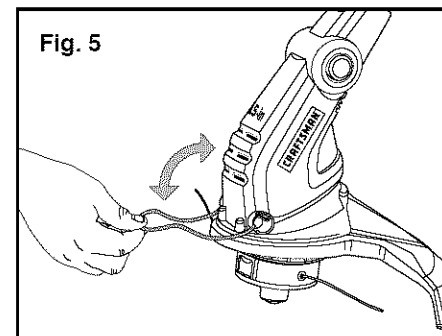
CAUTION: Line cutter on edge of safety guard is sharp. Use caution when handling.



THE EDGE GUIDE (Fig. 5)

Your trimmer comes with an Edge Guide that is handy for use as a cutting guide. It can be used to help keep the cutting line away from items you don't want cut, such as flowers, or damaged, such as fences or screens.

Each end of the wire edge guide is force-fitted into a hole located on each side of the trimmer's head. To use the edge guide, pull (force) it down into the guide position as shown in Fig. 5.



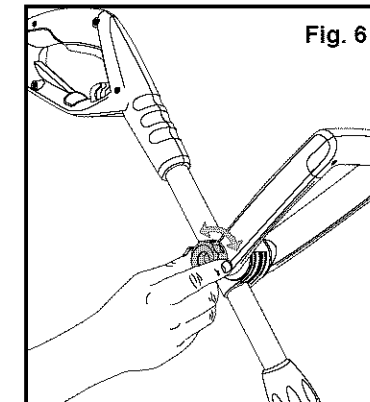
ASSEMBLY & ADJUSTMENTS cont.

ATTACHING THE AUXILIARY HANDLE cont. (Fig. 6 and 6a)

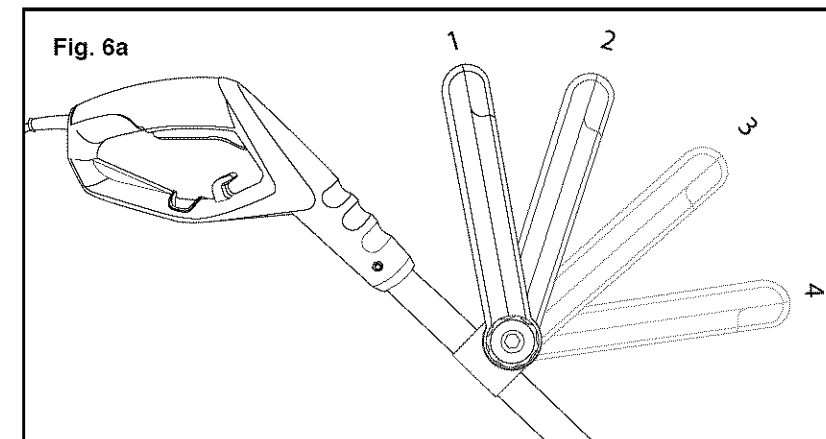
NOTE: THE AUXILIARY HANDLE MUST BE ATTACHED to the trimmer shaft before use.

WARNING: To avoid injury, ALWAYS turn off and disconnect the trimmer from the power outlet BEFORE installing parts or cleaning the trimmer or making any adjustments.

1. Disconnect the trimmer from the power supply.
2. Unscrew the auxiliary handle's tightening knob (counterclockwise) and remove from handle.
3. Position auxiliary handle onto handle bracket assembly located on trimmer's top-shaft (see Fig. 6).
4. Position the knob and screw through the auxiliary handle and bracket, and tighten knob (turn clockwise). Do not tighten completely until you have adjusted the auxiliary handle to your desired working position.



WARNING: To avoid injury, adjust the auxiliary handle for maximum control and balance. DO NOT overreach when operating the trimmer. ALWAYS KEEP proper balance for better control of the tool in unexpected situations.



ADJUSTING THE AUXILIARY HANDLE (Fig. 6a)

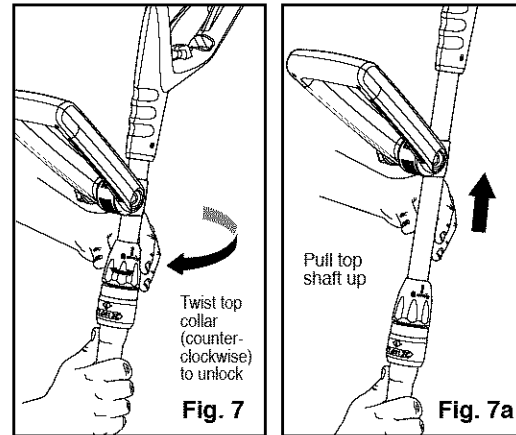
1. The auxiliary handle's bracket can be moved up or down on the shaft and the auxiliary handle itself can be moved forward or backward into 4 different locked positions (see Fig. 6a).
2. When the handle is in desired position, turn knob and tighten securely.

ASSEMBLY & ADJUSTMENTS cont.

ADJUSTING THE HEIGHT (Fig. 7 and 7a)

The Trimmer's Telescopic Shaft Comes in the Collapsed Position

1. To raise the telescopic shaft, twist top collar (counterclockwise) to unlock, and pull (extend) top of shaft up, to desired height.
2. Twist top collar (clockwise) to lock top shaft in place.
3. To lower or collapse the shaft simply reverse the above steps, 1 and 2.



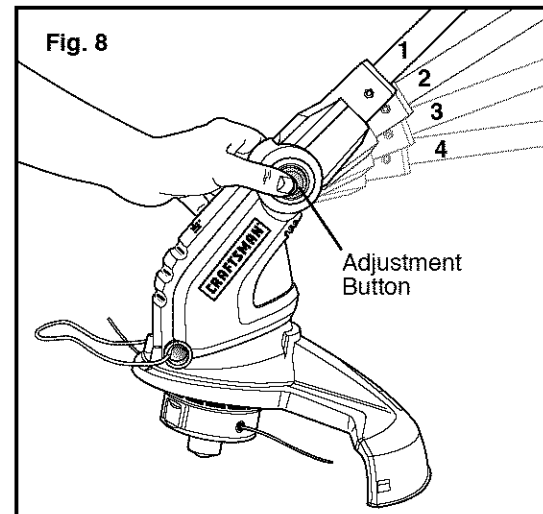
ADJUSTING THE CUTTING ANGLE (Fig. 8)

Your trimmer has a 4-position tilting head that easily adjusts to the desired working angle for optimum operator control and comfort. To adjust the trimmer head angle:

1. Disconnect the trimmer from the power supply.

⚠ WARNING: To avoid injury, ALWAYS turn off and disconnect the trimmer from the power outlet BEFORE installing parts or cleaning the trimmer or making any adjustments.

2. Press the red trimmer head adjustment button on the motor housing (see Fig. 8).
3. Move the trimmer head to one of four different angles and release the button. Head will click into position. Easily readjust the angle to a more comfortable or efficient position as needed.

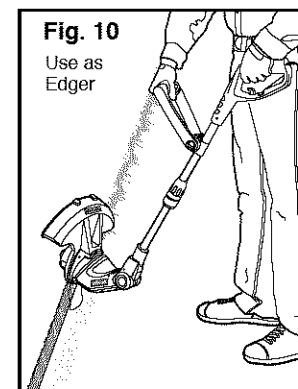
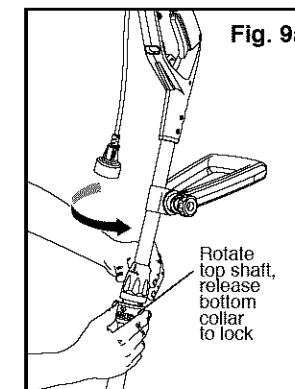
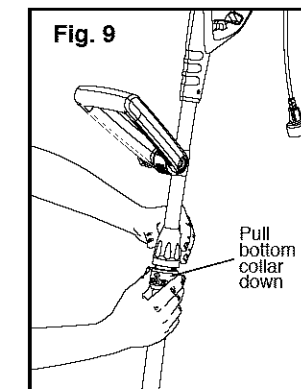


⚠ WARNING: BEFORE connecting your trimmer to the power outlet, BE SURE you are not pressing in on the trigger switch. Failure to do so could result in accidental start-up, which may cause serious personal injury.

ASSEMBLY & ADJUSTMENTS cont.

TO USE TRIMMER FOR EDGING: ROTATE REAR HANDLE AND UPPER SHAFT 180° (Figs. 9, 9a and 10)

1. Disconnect the trimmer from the power supply.
2. To rotate the top shaft 180°, pull bottom collar down (see Fig. 9) and rotate the top shaft with rear handle (and auxiliary handle) 180°.
3. Release bottom collar to lock shaft in place.



OPERATION

⚠ WARNING: To avoid injury, DO NOT carry the trimmer with your finger on the trigger switch.

⚠ WARNING: If any part of the trimmer is missing or damaged, do not plug in the trimmer until the damaged part is repaired or replaced.

PIGTAIL POWER CORD (See Figs. 2, 2a and 2b on page 11)

Your edger trimmer has a 12-inch pigtail power cord. This cord must be attached to a proper extension cord. Refer to page 11, Figs. 2, 2a and 2b for attaching extension cord.

TURNING TRIMMER ON AND OFF

Your edger / trimmer has an extended length (4-finger) ON / OFF trigger switch.

Turning Trimmer ON

1. Plug the trimmer's pigtail power cord into extension cord.
2. Plug extension into power outlet.
3. Squeeze trigger switch to start trimmer.
4. The trimmer will stay ON as long as the trigger switch is squeezed.

Turning Trimmer OFF

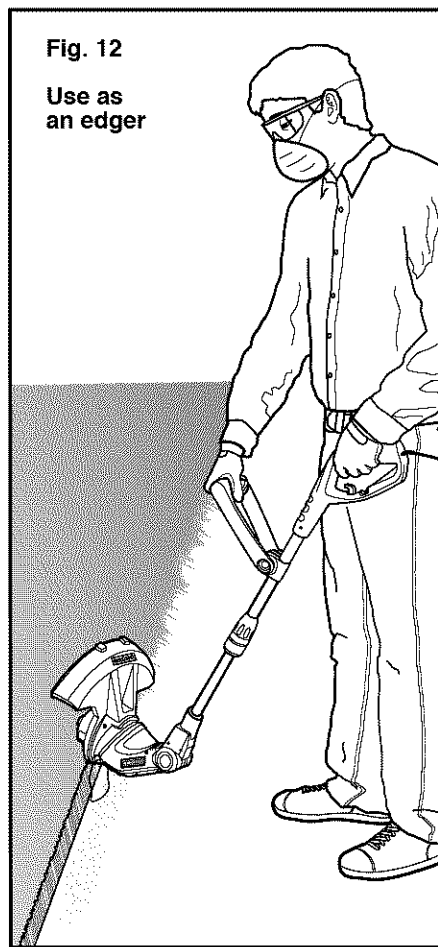
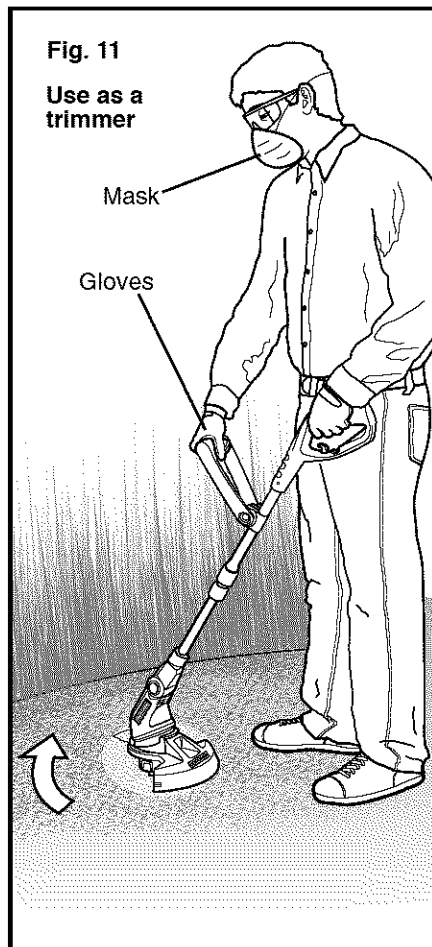
1. Release the trigger switch to turn trimmer OFF.
2. Allow at least 5 seconds for the cutting spool (line) to stop rotating.

OPERATION cont.

TRIMMING AND EDGING (Figs. 11 and 12)

When trimming, cut from left to right for cutting efficiency; this throws the clippings away from the operator (See Fig. 11).

To edge, rotate the shaft 180° (See Page 17, Figs. 8 and 9). Place edge guide and trimmer head above the surface you are going to edge, as shown in Fig. 12.



NOTE: ALWAYS keep the air vents on the trimmer head (motor housing) free of obstructions when operating the trimmer.

⚠ WARNING: The operation of any trimmer can result in FOREIGN OBJECTS BEING THROWN, which can result in personal injury or property damage. ALWAYS use proper safety equipment and keep bystanders safely away.

OPERATION cont.

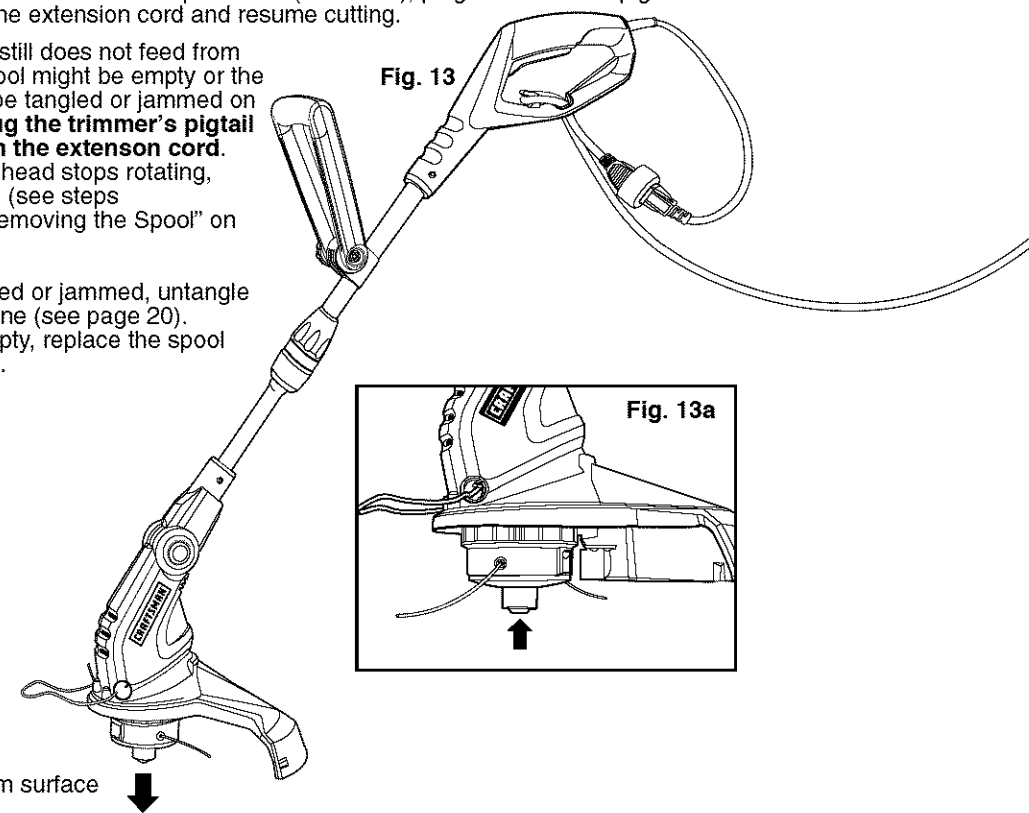
EXTENDING THE CUTTING LINE (Fig. 13 and 13a)

During operation, cutting lines shorten due to normal wear. For greater convenience and efficiency, your trimmer has been equipped with a bump feed head that allows you to simply bump the trimmer head to extend the cutting lines while the trimmer is operating. Cutting line will wear faster and require more feeding if the cutting or edging is done along sidewalks or other abrasive surfaces or heavier weeds are being cut.

1. While the trimmer is on and spinning, gently bump the spool housing on a firm surface (hard ground or sidewalk). This should release additional cutting line from the spool.
2. If no line is released, bump the trimmer head more sharply or try bumping it on a firmer surface.
3. If there is no change in the cutting line length, **un-plug the trimmer's pigtail power cord from the extension cord.** After the trimmer head stops rotating, gently pull at the cutting lines manually. Once the lines are pulled out (extended), plug the trimmer's pigtail power cord into the extension cord and resume cutting.

4. If the cutting line still does not feed from the spool, the spool might be empty or the cutting line may be tangled or jammed on the spool. **Un-plug the trimmer's pigtail power cord from the extension cord.** After the trimmer head stops rotating, remove the spool (see steps 1 through 3 in "Removing the Spool" on page 20).

If the line is tangled or jammed, untangle and replace the line (see page 20).
If the spool is empty, replace the spool (see page 20-21).



⚠ WARNING: To avoid injury, ALWAYS turn off and disconnect the trimmer from the power outlet BEFORE installing parts or cleaning the trimmer or making any adjustments.

OPERATION cont.

TO REPLACE CUTTING LINE (Fig. 14) REMOVE THE SPOOL

For easy spool replacement we recommend using Craftsman 71-85967, bump feed replacement spool with 0.065 cutting line. It is factory wound for maximum reliability.

1. Disconnect the trimmer from the power supply. Turn trimmer over to access spool head cover.

⚠ WARNING: To avoid injury, ALWAYS turn off and disconnect the trimmer from the power outlet BEFORE installing parts or cleaning the trimmer or making any adjustments.

2. Press the release tabs on the spool head cover and remove cover, pulling it straight off of spool.
3. Lift the spool out of the spool housing.

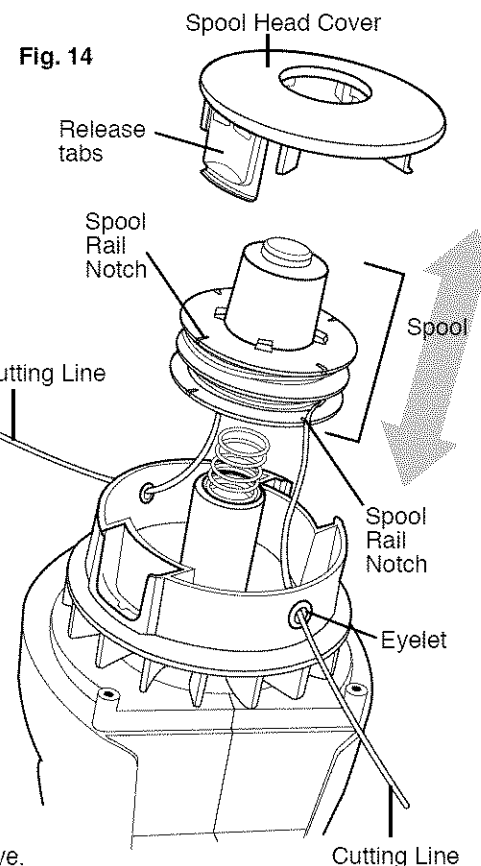
REPLACE THE SPOOL

1. Replace the spool with a new factory pre-wound spool, Craftsman 71-85967, available from your Sears store or other Craftsman outlet.
2. Insert the end of one line through an eyelet in the spool housing. Insert the other line through the other eyelet.
3. Insert the spool into housing and press it down gently until you feel it drop into place. Take care to keep the line from becoming trapped under the spool.
4. Snap the spool head cover back on and at the same time pull lines and be sure that they are released from spool rail notch.

FILLING SPOOL WITH CUTTING LINE

You may wind new cutting line onto an empty spool. Replacement packs of 0.065 inch (1.65mm) Craftsman Cutting Line 71-85822 are available from your Sears store.

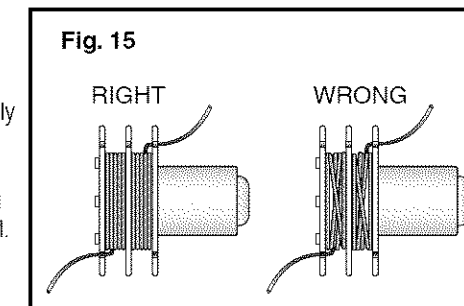
1. Remove the empty spool from the tool as described in "REMOVE THE SPOOL" above.
2. Remove any remaining cutting line from the spool.
3. First wind new line onto the uppermost part of the spool. Feed 3/4 inch of cutting line into one of the line anchoring slots. Wind the cutting line onto the spool in the direction of the arrow on the spool. Make sure to wind the line neatly and in layers Do not crisscross (see Fig. 15).



OPERATION cont.

FILLING SPOOL WITH CUTTING LINE cont. (Fig. 15)

4. When the wound cutting line reaches the eyelets (recesses), and cut the line. Temporarily park the line in the spool rail notch on one side of the spool as shown in Fig. 15.
5. Repeat the above procedure for the second cutting line on the lower section of the spool.
6. Fit the spool onto the tool as described in "REPLACE THE SPOOL" page 20.



⚠ CAUTION: Before you begin trimming, only use the appropriate type of cutting line. Ensure that cutting line is present in both sections of the spool. (Fig. 15).

OPERATING TIPS

1. Before each use make sure the protective safety guard is securely installed. Tighten the guard screws, but **DO NOT** over tighten.
2. Be sure to check the auxiliary handle before each use, to make sure it is firmly tightened into desired working position.
3. **Before trimming**, inspect the area for string, wire, branches, rocks, toys, or other objects that could be entangled in or thrown by the cutting line.
4. Stand with the cutting head tipped down at an angle in front, guiding the trimmer in a semi-circular motion around you.
5. Cut from left to right whenever possible. Cutting to the right improves the unit's cutting efficiency and clippings are thrown away from the operator.
6. To produce a smoothly trimmed area, move the trimmer in and out of the area being cut with constant speed and height.
7. Use only the tip of the cutting line to do the trimming, especially near walls and fences. Trimming with the side of the cutting line may overload the motor, wear out the line faster, and break the line more often.
8. **DO NOT** rest the trimmer spool on the ground while you are trimming. This will cause spool wear.
9. When cutting vegetation that is over 6 inches in height, work from top to bottom in small increments to avoid premature line wear or engine drag.
10. When the trimmer is stopped and the spool stops rotating, the cutting line will relax and may recede. Feed extra cutting line before storing the trimmer to prevent losing the line in the spool housing.
11. If the diameter of the cutting area gets smaller, the line is worn down and needs to be advanced.
12. If the trimmer is not cutting correctly, the cutting line may not be feeding properly. Remove and rewind the line spool. (See FILLING SPOOL WITH CUTTING LINE, pg. 20).

MAINTENANCE

⚠ WARNING: To avoid injury, ALWAYS turn off and disconnect the trimmer from the power outlet BEFORE installing line, cleaning the trimmer or making any adjustments.

GENERAL MAINTENANCE

Keep your trimmer clean and in good repair for maximum long-lasting performance. Before each use, inspect the switch and cord for damage.

Check for damaged, missing, or worn parts. Check for loose screws, misalignment, moving parts that are jammed, or any other conditions that may affect the operation. If abnormal vibration or noise occurs, turn off the tool immediately and have the problem corrected before further use.

DO NOT use the trimmer if it has any broken parts. Have damaged, missing, worn or broken parts replaced before using trimmer.

CLEANING

⚠ WARNING: To avoid injury, ALWAYS turn off and disconnect the trimmer from the power outlet BEFORE installing line, cleaning the trimmer or making any adjustments.

⚠ WARNING: To avoid damage or electric shock, DO NOT use strong solvents or detergents on the plastic housing or plastic components. Certain household cleaners may damage plastic and may also cause a shock hazard.

Wipe the outside of the trimmer with a dry, soft cloth.
DO NOT hose down or wash the trimmer with water. Scrape the guard and spool area to remove dried clippings and mud. Brush or blow dust, debris and grass clippings out of the air vents

ALWAYS keep the air vents free from obstruction when operating the trimmer.

ACCESSORIES

⚠ WARNING: The use of attachments or accessories (cutting line) that are not recommended for this tool will be dangerous and can result in serious personal injury. Do not attempt to use fishing line or other lines that are not recommended.

REPLACEMENT SPOOLS

Replace the spool with a new pre-wound spool (Craftsman Spool 71-85967).

REPLACEMENT CUTTING LINE

If you are replacing the cutting line, **ONLY** use nylon monofilament single-wound 0.065 line (Craftsman Cutting Line 71-85822).

Line and spools are available at Sears Stores or other Craftsman outlets.

Visit your local Sears store or other Craftsman outlets or shop sears.com/craftsman.

⚠ WARNING: To avoid injury, ALWAYS turn off and disconnect the trimmer from the power outlet BEFORE installing line, cleaning the trimmer or making any adjustments.

NEED MORE HELP?

You'll find the answer and a more on managemyhome.com – for free!

- Find this and all your other product manuals online.
- Get answers from our team of home experts.
- Get a personalized maintenance plan for your home.
- Find information and tools to help with home projects.

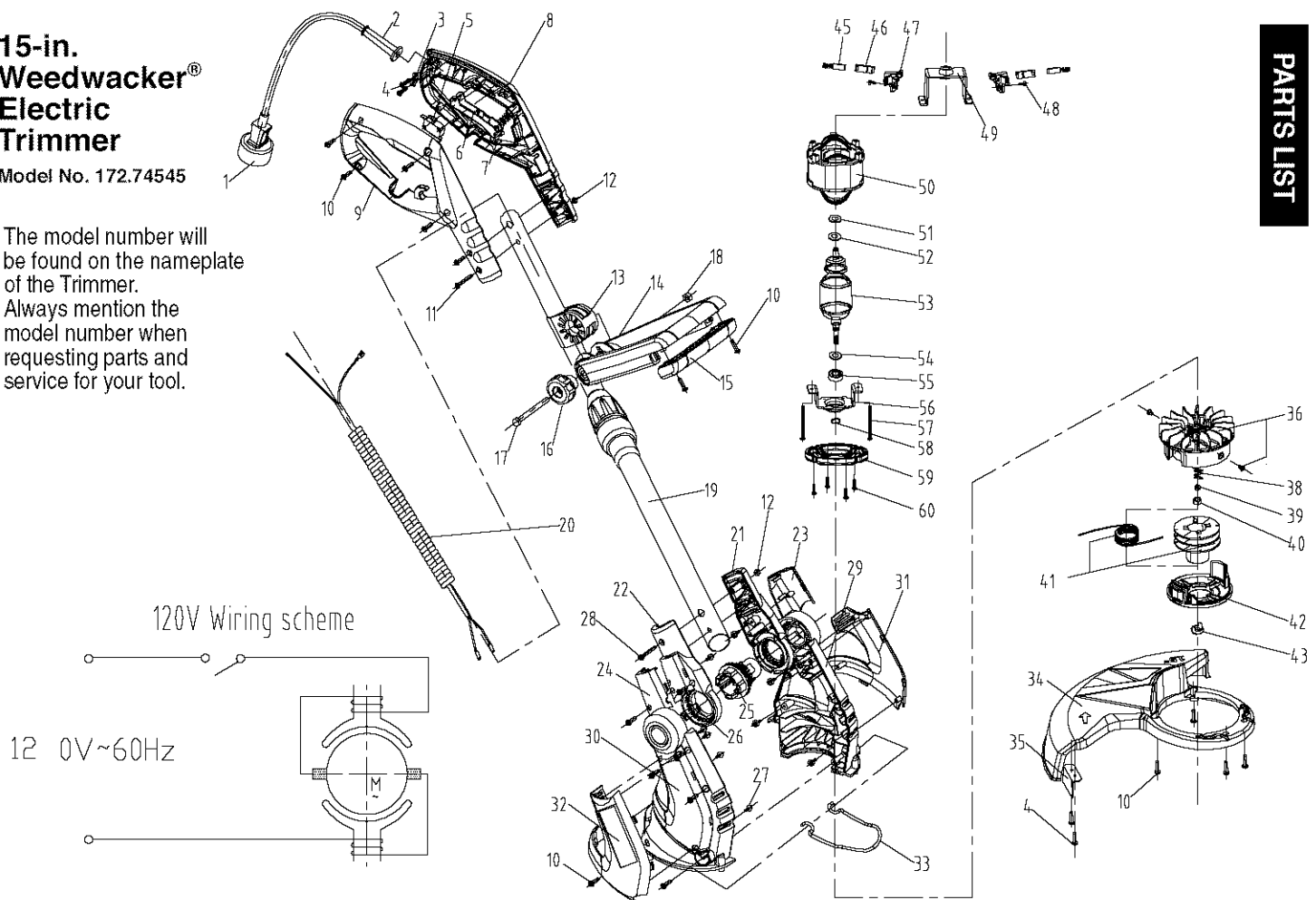
manage my home

brought to you by Sears

15-in. Weedwacker® Electric Trimmer

Model No. 172.74545

The model number will be found on the nameplate of the Trimmer. Always mention the model number when requesting parts and service for your tool.



24

15-in. Weedwacker® Electric Trimmer

Model No. 172.74545

The model number will be found on the nameplate of the Trimmer. Always mention the model number when requesting parts and service for your tool.

Item No.	Parts No.	Part Description	Qty.
1	GGT4502U-1	Cable Assembly	1
2	GGT4502U-2	Insulation Sheath	1
3	GGT4502U-3	Press Plate	1
4	GGT4502U-4	Self Tapping Screw(ST3.9x13)	2
5	GGT4502U-5	Switch	1
6	GGT4502U-6	Switch Button	1
7	GGT4502U-7	Spring 0.8X8.8X23	1
8	GGT4502U-8	Left Handle	1
9	GGT4502U-9	Right Handle	1
10	GGT4502U-10	Self Tapping Screw(ST3.9x16)	24
11	GGT4502U-11	Screw (M4X32)	1
12	GGT4502U-12	Nut 4	2
13	GGT4502U-13	Tighten Collar	1
14	GGT4502U-14	Steady Handle Supper	1
15	GGT4502U-15	Steady Handle Cover	1
16	GGT4502U-16	Pivot Release Lever	1
17	GGT4502U-17	Stud M6X65	1
18	GGT4502U-18	Nut 6	1
19	GGT4502U-19	Telescope Tube	1
20	GGT4502U-20	Spring line	1
21	GGT4502U-21	Swivel Shell Loc	1
22	GGT4502U-22	Swivel Cover Shell	1
23	GGT4502U-23	Swivel Shell Loc husk	1
24	GGT4502U-24	Swivel Cover Shell husk	1
25	GGT4502U-25	Lock Button	1
26	GGT4502U-26	spring	1
27	GGT4502U-27	Self Tapping Screw(ST2.9x16)	10
28	GGT4502U-28	Screw (M4X35)	1
29	GGT4502U-29	Left Housing	1

25

Item No.	Parts No.	Part Description	Qty.
30	GGT4502U-30	Right Housing	1
31	GGT4502U-31	Left Housing husk	1
32	GGT4502U-32	Right Housing husk	1
33	GGT4502U-33	Edging Space	1
34	GGT4502U-34	Guard	1
35	GGT4502U-35	Cutting Blade	1
36	GGT4502U-36	Cuting Head&Rivet	1
38	GGT4502U-38	spring 1X13X29.5	1
39	GGT4502U-39	B-1 Nut 6	1
40	GGT4502U-40	Insulation Cap	1
41	GGT4502U-41	Winding Spool&Cutting Line	1
42	GGT4502U-42	Bottom Cover	1
43	GGT4502U-43	Winding Spool decorate Cover	1
45	GGT4502U-45	Carbon Brush	2
46	GGT4502U-46	Brush Holder	2
47	GGT4502U-47	Brush Holder Assmebly	2
48	GGT4502U-48	Rivet	1
49	GGT4502U-49	Rear Bracket	1
50	GGT4502U-50	Stator (120V)	1
51	GGT4502U-51	Washer(=)	1
52	GGT4502U-52	Washer(≡)	2
53	GGT4502U-53	Armature(120V)	1
54	GGT4502U-54	Washer(-)	2
55	GGT4502U-55	Bearing 608Z	1
56	GGT4502U-56	Front Bracket	1
57	GGT4502U-57	Stud M4X55	2
58	GGT4502U-58	Washer by Axis	1
59	GGT4502U-59	Fixing Block	1
60	GGT4502U-60	metal Self Tapping Screw(ST3x10)	4

PARTS LIST

Get it fixed, at your home or ours!

Your Home

For expert troubleshooting and home solutions advice:

manage my home

www.managemyhome.com

For repair – **in your home** – of **all** major brand appliances, lawn and garden equipment, or heating and cooling systems, **no matter who made it, no matter who sold it!**

For the replacement parts, accessories and owner's manuals that you need to do-it-yourself.

For Sears professional installation of home appliances and items like garage door openers and water heaters.

1-800-4-MY-HOME[®] Call anytime, day or night
(1-800-469-4663) (U.S.A. and Canada)
www.sears.com www.sears.ca

Our Home

For repair of carry-in items like vacuums, lawn equipment, and electronics, call anytime for the location of the nearest **Sears Parts & Repair Service Center**

1-800-488-1222 (U.S.A.) **1-800-469-4663** (Canada)
www.sears.com www.sears.ca

To purchase a protection agreement on a product serviced by Sears:

1-800-827-6655 (U.S.A.) **1-800-361-6665** (Canada)

Para pedir servicio de reparación a domicilio, y para ordenar piezas: Au Canada pour service en français:

1-888-SU-HOGAR[®] **1-800-LE-FOYER**^{MC}
(1-888-784-6427) (1-800-533-6937)
www.sears.ca

Sears

© Sears Brands, LLC

® Registered Trademark / ™ Trademark / ™ Service Mark of Sears Brands, LLC

® Marca Registrada / ™ Marca de Fábrica / ™ Marca de Servicio de Sears Brands, LLC

^{MC} Marque de commerce / ^{MD} Marque déposée de Sears Brands, LLC