

# Operators Manual

# CRAFTSMAN<sup>®</sup>

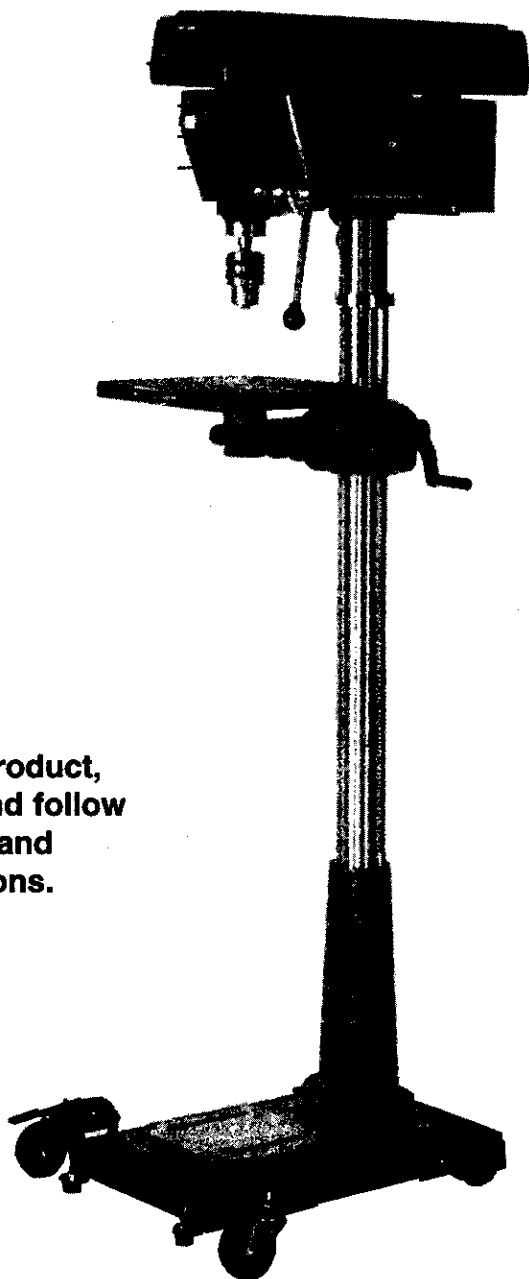
## Adjustable Universal **MOBILE BASE**

Model No. 22252

- Safety
- Assembly
- Operation
- Parts

### **CAUTION:**

Before using this product,  
read this manual and follow  
all its Safety Rules and  
Operating Instructions.



Sears, Roebuck and Co., Hoffman Estates, IL 60179 U.S.A.  
Visit our Craftsman website: [www.sears.com/craftsman](http://www.sears.com/craftsman)

## General Safety Instructions for Power Tools

Using power tools of any kind can be dangerous if safe operating procedures are not followed. Recognizing the hazards of each tool and using them with respect and caution will considerably limit the possibility of personal injury. However, if safety precautions are ignored, personal injury will likely result. Always use common sense – your personal safety is your responsibility.

1. Know your power tool. Read and understand the Owner's Manual and observe the warnings and instruction labels affixed to the tool.
2. Properly ground all tools.
3. Keep guards in place.
4. Remove adjusting keys and wrenches.
5. Keep work area clean and dry.
6. Keep children away.
7. Never leave running machines/tools unattended.
8. Disconnect tools from service.
9. Regularly maintain tools.
10. Use correct tools for the job.
11. Never force a tool.
12. Wear safety apparel.
13. Use safety glasses/goggles.
14. Never stand or sit on tools.
15. Replace damaged components immediately.
16. Make sure your work platform is sufficiently sturdy to do the specific job at hand.
17. Use power tools in a well lit area with a level surface on which to stand that is clean and free from any obstruction.
18. Clamp work piece securely.
19. Properly anchor power tools to work stands.
20. Use correct blade for job being done.
21. Think Safety. Safety is a combination of operator awareness, common sense and alertness at all times.

## Safety Instructions for Mobile Bases

1. Be careful when moving to limit any finger pinch points.
2. Place base on a level surface and adjust levelers before placing the machine in position. This should keep the machine from rocking, while testing it for stability.
3. Test for stability in both the up (on the casters) and the down positions. Exercise caution when testing the stability of top heavy machines (drill presses, band saws, etc.).
4. Unplug any power tool before moving or repositioning your tool.
5. Always test your set-up for stability and safety after repositioning.
6. Care should be taken when planning the orientation of the machine onto the universal mobile base. Transfer of weight off of the levelers to the casters will result in the machine tilting 1/2" toward the fixed wheels. When positioning top heavy tools such as a drill press or band saw, take advantage of the center of gravity, and position so that it will remain stable while on casters.
7. Never use your machine while it is suspended on the two swivel casters. Always lower the machine onto the non-skid levelers before operating.
8. When moving, always push the base, not the machine.

## Assembly Instructions

Tools required: 7/16", 1/2", 9/16" wrench, 7/16" socket, tape measure, pliers.

1. Unpack and identify all components and hardware. Make sure there are no missing parts and that there is no shipping damage.  
**Note:** Read instructions thoroughly before proceeding.
2. Carefully measure the footprint of your machine (or whatever you are mobilizing) and add about 1" to the dimension. (1" allows clearance for the fasteners). Keep in mind the base adjusts in 1" increments.

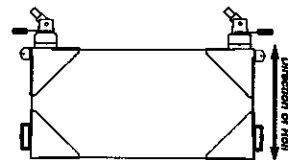
**Note:** Most machines with 4-legged stands are somewhat adjustable, by loosening and retightening the bolts that hold them together.

3. First ensure the machine is stable on the mobile base, then determine direction of roll. Carefully review assembly examples shown below to help you determine the fixed wheel, caster and leveler placement. As these are examples only, you must determine what best suits your particular machine's requirements for stability.
4. Select and arrange the Side Rail sizes as necessary to assemble the base to your machine's footprint.  
**Note:** If help to lift your machine into the base is not available, you may want to assemble the base around your machine. Use 2 x 4's to block the machine up.
5. Bolt the Side Rails to the corners and each other using these simple rules:  
A: All connections require the use of (2) 1/4"-20 x 1/2" bolts (Q) and (2) 1/4"-20 nuts (R) at each end of the connections.  
B: Position Side Rails into corners as far as is practical.  
C: It is recommended you keep your machine stand symmetrical by using the same size and positioning of Side Rails on opposite sides.  
**Note:** Insert bolts so that the nuts are on the inside of the mobile base.
6. Re-check dimensions, then tighten all bolts and nuts.

## Assembly Examples

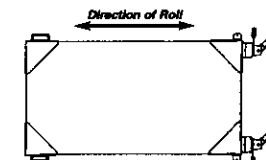
Be sure to follow safety and Assembly Instructions. Keep in mind the actual operation of your machine and the effect it has on overall stability.

Figure 1



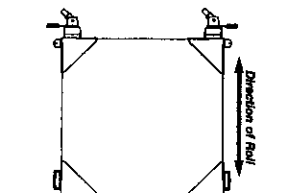
A wide, narrow base, such as on an edge sander, may benefit from this arrangement.

Figure 2



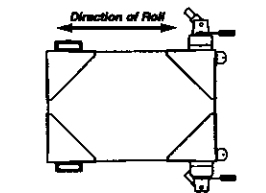
A long, narrow base, such as on a jointer, would benefit from this arrangement.

Figure 3



Basically square machines can be arranged to the convenience of the user.

Figure 4



A short, narrow base, such as on a drill press or band saw, would benefit from this arrangement. This configuration will add stability to top heavy machines.

## Attaching Wheels and Casters

1. Review the diagrams on the previous page for wheel, caster and leveler placement.
2. Starting on the left common corner (A), attach caster bracket (D) to corner using (2) 1/4"-20 x 5/8" bolts (V) and (2) 1/4"-20 nuts (R). Position the caster bracket at the edge of the common corner, as shown.
3. Attach swivel plate (E) to the caster bracket (D) using pivot rod (J) and (2) E-clips (S). For proper orientation, refer to Figure 5.
4. Attach actuator cam lever (H) to caster bracket (D) using 1/4"-20 x 2" zinc (silver) pivot bolt (P) and 1/4"-20 self-locking zinc nut (O).  
**Note:** The Actuator Cam Levers can be oriented in either direction. Some pre-planning now can keep the lever in an "out of the way" configuration when the base is in the down position.
5. Attach swivel caster (L) to swivel plate (E) using 3/8"-16 nut (U).
6. Attach foot bracket (I) to the corner (A) using (2) 1/4"-20 x 5/8" bolts (V) and (2) 1/4"-20 nuts (R). Position the foot bracket as close to the actual corner of the common corner bracket as possible. Refer to Figure 6.
7. Insert threaded rubber foot (M) into the threaded hole in foot bracket (I). Spin 5/16"-18 jamb nut (T) onto the top of the threaded rubber foot (M).
8. Repeat steps 1 through 7 on the right common corner (A).
9. Slip wheel (K) into position on left and right corners (B&C).
10. Insert 1/4"-20 x 1 3/4" bolt (N) through hole in the outer edge of wheel housing, through wheel (K), through nylon bushing (W), and secure to corner using 1/4"-20 self locking zinc (silver) nut (O). Use care not to overtighten. Over tightening will prevent the wheel from turning. Refer to Figure 7.  
**Note:** Prior to placing your machine or accessory onto the universal mobile base, be sure to read and understand all safety instructions. Adjust rubber feet as needed to level the base before adding any machine.
11. Lift your machine or item to be mobilized into place.

**CAUTION:** Check stability in both the up and down positions before using. Failure to follow safety and assembly instructions may result in personal injury or damage to product.

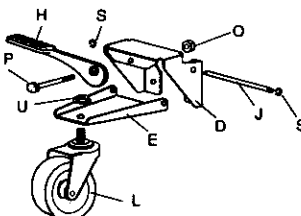


Figure 5

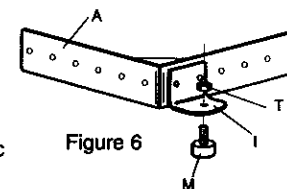


Figure 6

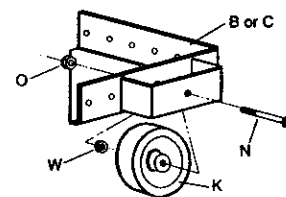


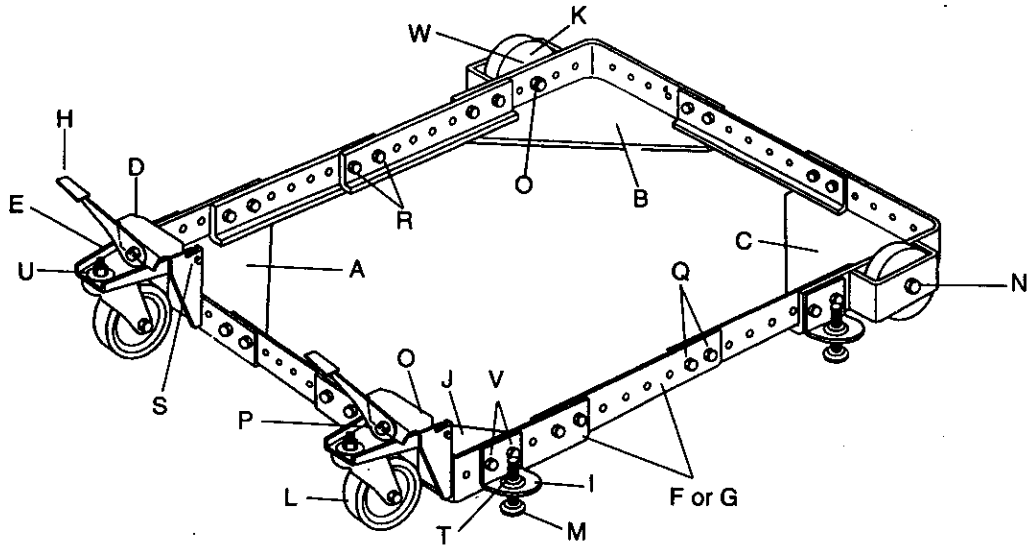
Figure 7

## FULL ONE YEAR WARRANTY

If this Craftsman Mobile Base fails to give complete satisfaction within one year from the date of purchase, RETURN IT TO (OR CONTACT) THE NEAREST SEARS SERVICE CENTER IN THE UNITED STATES, and Sears will repair it, free of charge.

This warranty gives you specific legal rights and you may also have other rights which vary from state to state.

Sears, Roebuck and Co.,  
Dept. 817WA, Hoffman Estates, IL 60179



A	Corner	2751	2
B	Corner, Left	2751L	1
C	Corner, Right	2751R	1
D	Caster Bracket	2764	2
E	Swivel Plate	2763	2
F	Side Rail, 12"	2748	4
G	Side Rail, 18"	2749	4
H	Actuator Cam	2762	2
I	Foot Bracket	2765	4
J	Pivot Rod	2766	2
K	Wheel, 3"	G-703	2
L	Swivel Caster	G-704	2
M	Rubber Foot	G-208	4
N	1/4"-20 Bolts, Axle 1 3/4"	D-115	2
O	1/4"-20 Nuts, Self Locking, Zinc (Silver)	D-117	4
P	1/4"-20 Bolts, Pivot 1/4 Zinc (Silver)	D-116	2
Q	1/4" -20 Bolts, 1/2" (Black)	D-114	24
R	1/4"-20 Nuts, Flanged/Serrated	D-118	32
S	E-Clips	D-909	4
T	5/16"-18 Nuts	C-202	4
U	3/8"-16 Nuts, Flanged/Serrated	C-405	2
V	1/4"-20 5/8" Bolts (Silver)	D-122	12
W	Nylon Wheel Bushing	A-102	2

**For In-home major brand repair service:**

Call 24 hours a day, 7 days a week

**1-800-4-MY-HOME<sup>SM</sup>** (1-800-469-4663)

Para pedir servicio de reparación – 1-800-676-5811

**For the repair and replacement parts you need:**

Call 6 am – 11 pm CST, 7 days a week

**PartsDirect<sup>SM</sup>**

**1-800-336-PART** (1-800-366-7278)

Para ordenar piezas – 1-800-659-7084

**For the location of a**

**Sears Service Center in your area:**

Call 24 hours a day, 7 days a week

**1-800-488-1222**

**To purchase or inquire about a**

**Sears Maintenance Agreement:**

Call 7 a.m.–5 p.m. CST, Monday – Saturday

**1-800-488-6655**

