

# Operator's Manual

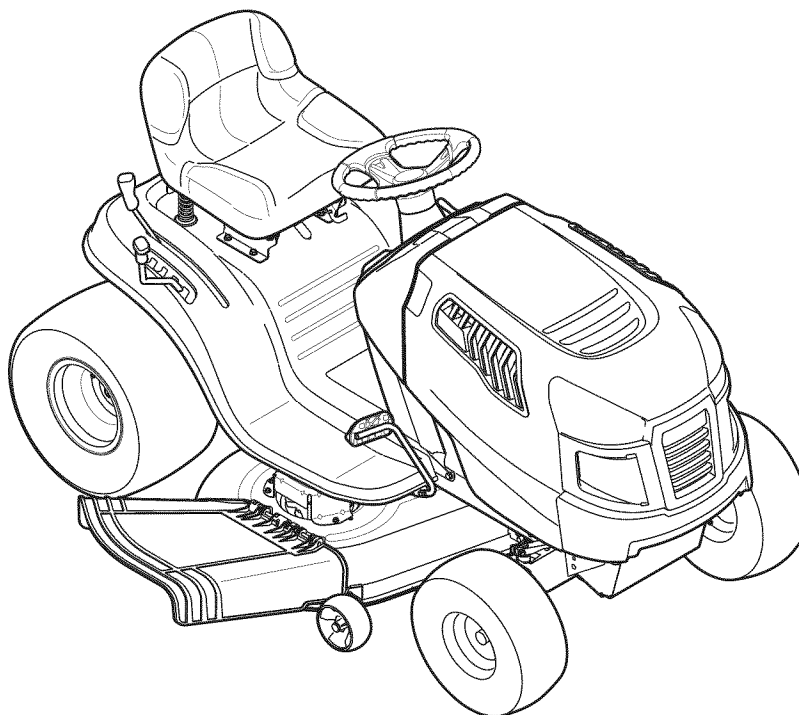
# CRAFTSMAN®

**LAWN TRACTOR**

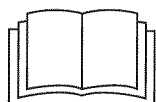
**19.5 HP, Variation Speed**

**42" Deck**

Model No. 247.288841



- Espanol, P. 59



This product has a low emission engine which operates differently from previously built engines. Before you start the engine, read and understand this Operator's Manual.

## **⚠ CAUTION**

Before using this equipment, read this manual and follow all safety rules and operating instructions.

For answers to your questions about this product, Call:

**1-800-659-5917**

**Craftsman Tractor Help Line**

7 am - 7 pm CT, Mon. - Sun.

**Sears Brands Management Corporation, Hoffman Estates, IL 60179 U.S.A.**

Visit our website: [www.craftsman.com](http://www.craftsman.com)

Form No. 769-06421A  
(January 1, 2011)

# TABLE OF CONTENTS

Warranty Statement .....	2	Off-Season Storage .....	27
Safety Instructions .....	3	Troubleshooting .....	28
Slope Gauge .....	8	Labels .....	29
Safety Labels .....	9	Parts List .....	30
Assembly .....	10	Español.....	59
Operation .....	12	Service Numbers .....	Back Cover
Service and Maintenance .....	18		

## WARRANTY STATEMENT

### CRAFTSMAN FULL WARRANTY

FOR TWO YEARS from the date of purchase, all non-expendable parts of this riding equipment are warranted against any defects in material or workmanship. A defective non-expendable part will receive free in-home repair or replacement if repair is impossible.

FOR FIVE YEARS from the date of purchase, the frame and front axle of this riding equipment are warranted against any defects in material or workmanship. A defective frame or front axle will receive free in-home repair or replacement if repair is impossible.

FOR 90 DAYS from the date of purchase, the battery (an expendable part) of this riding equipment is warranted against any defects in material or workmanship (our testing proves that it will not hold a charge). A defective battery will receive free in-home replacement.

#### ADDITIONAL LIFETIME LIMITED WARRANTY on CAST IRON FRONT AXLE (if equipped)

FOR AS LONG AS IT IS USED by the original owner after the fifth year from the date of purchase, the cast iron front axle (if equipped) of this riding equipment is warranted against any defects in material or workmanship. With proof of purchase, a defective cast front axle will receive free in-home replacement.

#### WARRANTY SERVICE

For warranty coverage details to obtain free repair or replacement, call 1-800-659-5917 or visit the web site: [www.craftsman.com](http://www.craftsman.com)

In all cases above, if part repair or replacement is impossible, the riding equipment will be replaced free of charge with the same or an equivalent model.

All of the above warranty coverage is void if this riding equipment is ever used while providing commercial services or if rented to another person.

**This warranty covers ONLY defects in material and workmanship. Warranty coverage does NOT include:**

- Expendable parts (except battery) that can wear out from normal use within the warranty period, including but not limited to blades, spark plugs, air cleaners, belts, and oil filters.
- Standard maintenance servicing, oil changes, or tune-ups.
- Tire replacement or repair caused by punctures from outside objects, such as nails, thorns, stumps, or glass.
- Tire or wheel replacement or repair resulting from normal wear, accident, or improper operation or maintenance.
- Repairs necessary because of operator abuse, including but not limited to damage caused by towing objects beyond the capability of the riding equipment, impacting objects that bend the frame, axle assembly or crankshaft, or over-speeding the engine.
- Repairs necessary because of operator negligence, including but not limited to, electrical and mechanical damage caused by improper storage, failure to use the proper grade and amount of engine oil, failure to keep the deck clear of flammable debris, or failure to maintain the riding equipment according to the instructions contained in the operator's manual.
- Engine (fuel system) cleaning or repairs caused by fuel determined to be contaminated or oxidized (stale). In general, fuel should be used within 30 days of its purchase date.
- Normal deterioration and wear of the exterior finishes, or product label replacement.

This warranty gives you specific legal rights, and you may also have other rights which vary from state to state.

Sears Brands Management Corporation, Hoffman Estates, IL 60179

## PRODUCT SPECIFICATIONS

Engine Oil:	SAE 30
Fuel:	Unleaded Gasoline
Spark Plug:	Champion® RC12YC
Engine:	Briggs & Stratton Intek®

## MODEL NUMBER

Model Number: \_\_\_\_\_  
Serial Number: \_\_\_\_\_  
Date of Purchase: \_\_\_\_\_

Record the model number, serial number,  
and date of purchase above.

# SAFETY INSTRUCTIONS

## WARNING

This symbol points out important safety instructions which, if not followed, could endanger the personal safety and/or property of yourself and others. Read and follow all instructions in this manual before attempting to operate this machine. Failure to comply with these instructions may result in personal injury. When you see this symbol, HEED ITS WARNING!

## WARNING

### CALIFORNIA PROPOSITION 65

Engine Exhaust, some of its constituents, and certain vehicle components contain or emit chemicals known to State of California to cause cancer and birth defects or other reproductive harm. Battery posts, terminals, and related accessories contain lead and lead compounds, chemicals known to the State of California to cause cancer and reproductive harm. Wash hands after handling.

## DANGER

This machine was built to be operated according to the safe operation practices in this manual. As with any type of power equipment, carelessness or error on the part of the operator can result in serious injury. This machine is capable of amputating fingers, hands, toes and feet and throwing debris. Failure to observe the following safety instructions could result in serious injury or death.

## WARNING

**Your Responsibility**—Restrict the use of this power machine to persons who read, understand and follow the warnings and instructions in this manual and on the machine.

**SAVE THESE INSTRUCTIONS!**

## GENERAL OPERATION

- Read, understand, and follow all instructions on the machine and in the manual(s) before attempting to assemble and operate. Keep this manual in a safe place for future and regular reference and for ordering replacement parts.
- Be familiar with all controls and their proper operation. Know how to stop the machine and disengage them quickly.
- Never allow children under 14 years old to operate this machine. Children 14 years old and over should read and understand the operation instructions and safety rules in this manual and should be trained and supervised by a parent.
- Never allow adults to operate this machine without proper instruction.
- To help avoid blade contact or a thrown object injury, keep bystanders, helpers, children and pets at least 75 feet from the machine while it is in operation. Stop machine if anyone enters the area.
- Thoroughly inspect the area where the equipment is to be used. Remove all stones, sticks, wire, bones, toys, and other foreign objects which could be picked up and thrown by the blade(s). Thrown objects can cause serious personal injury.
- Plan your mowing pattern to avoid discharge of material toward roads, sidewalks, bystanders and the like. Also, avoid discharging material against a wall or obstruction which may cause discharged material to ricochet back toward the operator.
- Always wear safety glasses or safety goggles during operation and while performing an adjustment or repair to protect your eyes. Thrown objects which ricochet can cause serious injury to the eyes.
- Wear sturdy, rough-soled work shoes and close-fitting slacks and shirts. Loose fitting clothes and jewelry can be caught in movable parts. Never operate this machine in bare feet or sandals.
- Be aware of the mower and attachment discharge direction and do not point it at anyone. Do not operate the mower without the discharge cover or entire grass catcher in its proper place.
- Do not put hands or feet near rotating parts or under the cutting deck. Contact with the blade(s) can amputate hands and feet.
- A missing or damaged discharge cover can cause blade contact or thrown object injuries.
- Stop the blade(s) when crossing gravel drives, walks, or roads and while not cutting grass.
- Watch for traffic when operating near or crossing roadways. This machine is not intended for use on any public roadway.
- Do not operate the machine while under the influence of alcohol or drugs.
- Mow only in daylight or good artificial light.
- Never carry passengers.
- Disengage blade(s) before shifting into reverse. Back up slowly. Always look down and behind before and while backing to avoid a back-over accident.

# SAFETY INSTRUCTIONS

- Slow down before turning. Operate the machine smoothly. Avoid erratic operation and excessive speed.
- Disengage blade(s), set parking brake, stop engine and wait until the blade(s) come to a complete stop before removing grass catcher, emptying grass, unclogging chute, removing any grass or debris, or making any adjustments.
- Never leave a running machine unattended. Always turn off blade(s), set parking brake, stop engine and remove key before dismounting.
- Use extra care when loading or unloading the machine into a trailer or truck. This machine should not be driven up or down ramp(s), because the machine could tip over, causing serious personal injury. The machine must be pushed manually on ramp(s) to load or unload properly.
- Muffler and engine become hot and can cause a burn. Do not touch.
- Check overhead clearances carefully before driving under low hanging tree branches, wires, door openings etc., where the operator may be struck or pulled from the machine, which could result in serious injury.
- Disengage all attachment clutches and depress the brake pedal completely before attempting to start engine.
- Your machine is designed to cut normal residential grass of a height no more than 10". Do not attempt to mow through unusually tall, dry grass (e.g., pasture) or piles of dry leaves. Dry grass or leaves may contact the engine exhaust and/or build up on the mower deck presenting a potential fire hazard.
- Use only accessories and attachments approved for this machine by the machine manufacturer. Read, understand and follow all instructions provided with the approved accessory or attachment. For a list of approved accessories and attachments, call 1-800-659-5917.
- Data indicates that operators, age 60 years and above, are involved in a large percentage of riding mower-related injuries. These operators should evaluate their ability to operate the riding mower safely enough to protect themselves and others from serious injury.
- If situations occur which are not covered in this manual, use care and good judgment. Contact 1-800-659-5917 for information and assistance.

## SLOPE OPERATION

Slopes are a major factor related to loss of control and tip-over accidents which can result in severe injury or death. All slopes require extra caution. If you cannot back up the slope or if you feel uneasy on it, do not mow it.

For your safety, use the Slope Guide included as part of this manual to measure slopes before operating this machine on a sloped or hilly area. If the slope is greater than 15 degrees as shown on the Slope Guide, do not operate this machine on that area or serious injury could result.

### Do:

- Mow up and down slopes, not across. Exercise extreme caution when changing direction on slopes.
- Watch for holes, ruts, bumps, rocks, or other hidden objects. Uneven terrain could overturn the machine. Tall grass can hide obstacles.
- Use slow speed. Choose a low enough speed setting so that you will not have to stop or shift while on the slope. Tires may lose traction on slopes even though the brakes are functioning properly. Always keep machine in gear when going down slopes to take advantage of engine braking action.
- Follow the manufacturer's recommendations for wheel weights or counterweights to improve stability. For recommendations, call 1-800-659-5917.
- Use extra care with grass catchers or other attachments. These can change the stability of the machine.
- Keep all movement on the slopes slow and gradual. Do not make sudden changes in speed or direction. Rapid engagement or braking could cause the front of the machine to lift and rapidly flip over backwards which could cause serious injury.
- Avoid starting or stopping on a slope. If tires lose traction, disengage the blade(s) and proceed slowly straight down the slope.

### Do Not:

- Do not turn on slopes unless necessary; then, turn slowly and gradually downhill, if possible.
- Do not mow near drop-offs, ditches or embankments. The mower could suddenly turn over if a wheel is over the edge of a cliff, ditch, or if an edge caves in.
- Do not try to stabilize the machine by putting your foot on the ground.
- Do not use a grass catcher on steep slopes.
- Do not mow on wet grass. Reduced traction could cause sliding.
- Do not attempt to coast downhill. Over-speeding may cause the operator to lose control of the machine resulting in serious injury or death.
- Do not tow heavy pull behind attachments (e.g. loaded dump cart, lawn roller, etc.) on slopes greater than 5 degrees. When going down hill, the extra weight tends to push the tractor and may cause you to lose control (e.g. tractor may speed up, braking and steering ability are reduced, attachment may jack-knife and cause tractor to overturn).

# SAFETY INSTRUCTIONS

## CHILDREN

Tragic accidents can occur if the operator is not alert to the presence of children. Children are often attracted to the machine and the mowing activity. They do not understand the dangers. Never assume that children will remain where you last saw them.

- Keep children out of the mowing area and in watchful care of a responsible adult other than the operator.
- Be alert and turn machine off if a child enters the area.
- Before and while backing, look behind and down for small children.
- Never carry children, even with the blade(s) shut off. They may fall off and be seriously injured or interfere with safe machine operation.
- Use extreme care when approaching blind corners, doorways, shrubs, trees or other objects that may block your vision of a child who may run into the machine.
- To avoid back-over accidents, always disengage the cutting blade(s) before shifting into Reverse. If equipped, the "Reverse Caution Mode" (blades operate while machine rides in reverse) should not be used when children or others are around.
- Keep children away from hot or running engines. They can suffer burns from a hot muffler.
- Remove key when machine is unattended to prevent unauthorized operation.

Never allow children under 14 years of age to operate this machine. Children 14 and over should read and understand the instructions and safe operation practices in this manual and on the machine and should be trained and supervised by an adult.

## TOWING

- Tow only with a machine that has a hitch designed for towing. Do not attach towed equipment except at the hitch point.
- Follow the manufacturers recommendation for weight limits for towed equipment and towing on slopes. For recommendations, call 1-800-659-5917.
- Never allow children or others in or on towed equipment.
- On slopes, the weight of the towed equipment may cause loss of traction and loss of control.
- Always use extra caution when towing with a machine capable of making tight turns (e.g. "zero-turn" ride-on mower). Make wide turns to avoid jack-knifing.
- Travel slowly and allow extra distance to stop.
- Do not coast downhill.

## SERVICE

### Safe Handling of Gasoline

To avoid personal injury or property damage use extreme care in handling gasoline. Gasoline is extremely flammable and the vapors are explosive. Serious personal injury can occur when gasoline is spilled on yourself or your clothes which can ignite. Wash your skin and change clothes immediately.

- Use only an approved gasoline container.
- Never fill containers inside a vehicle or on a truck or trailer bed with a plastic liner. Always place containers on the ground away from your vehicle before filling.
- When practical, remove gas-powered equipment from the truck or trailer and refuel it on the ground. If this is not possible, then refuel such equipment on a trailer with a portable container, rather than from a gasoline dispenser nozzle.
- Keep the nozzle in contact with the rim of the fuel tank or container opening at all times until fueling is complete. Do not use a nozzle lock-open device.
- Extinguish all cigarettes, cigars, pipes and other sources of ignition.
- Never fuel machine indoors.
- Never remove gas cap or add fuel while the engine is hot or running. Allow engine to cool at least two minutes before refueling.
- Never over fill fuel tank. Fill tank to no more than ½ inch below bottom of filler neck to allow space for fuel expansion.
- Replace gasoline cap and tighten securely.
- If gasoline is spilled, wipe it off the engine and equipment. Move machine to another area. Wait 5 minutes before starting the engine.
- To reduce fire hazards, keep machine free of grass, leaves, or other debris build-up. Clean up oil or fuel spillage and remove any fuel soaked debris.
- Never store the machine or fuel container inside where there is an open flame, spark or pilot light as on a water heater, space heater, furnace, clothes dryer or other gas appliances.
- Allow a machine to cool at least five minutes before storing.

# SAFETY INSTRUCTIONS

## General Service

- Never run an engine indoors or in a poorly ventilated area. Engine exhaust contains carbon monoxide, an odorless, and deadly gas.
- Before cleaning, repairing, or inspecting, make certain the blade(s) and all moving parts have stopped. Disconnect the spark plug wire and ground against the engine to prevent unintended starting.
- Periodically check to make sure the blades come to complete stop within approximately (5) five seconds after operating the blade disengagement control. If the blades do not stop within the this time frame, your machine should be serviced professionally by a Sears or other qualified service dealer .
- Check brake operation frequently as it is subjected to wear during normal operation. Adjust and service as required.
- Check the blade(s) and engine mounting bolts at frequent intervals for proper tightness. Also, visually inspect blade(s) for damage (e.g., excessive wear, bent, cracked). Replace the blade(s) with the original equipment manufacturer's (O.E.M.) blade(s) only, listed in this manual. Use of parts which do not meet the original equipment specifications may lead to improper performance and compromise safety!
- Mower blades are sharp. Wrap the blade or wear gloves, and use extra caution when servicing them.
- Keep all nuts, bolts, and screws tight to be sure the equipment is in safe working condition.
- Never tamper with the safety interlock system or other safety devices. Check their proper operation regularly.
- After striking a foreign object, stop the engine, disconnect the spark plug wire(s) and ground against the engine. Thoroughly inspect the machine for any damage. Repair the damage before starting and operating.
- Never attempt to make adjustments or repairs to the machine while the engine is running.
- Grass catcher components and the discharge cover are subject to wear and damage which could expose moving parts or allow objects to be thrown. For safety protection, frequently check components and replace immediately with original equipment manufacturer's (O.E.M.) parts only, listed in this manual. Use of parts which do not meet the original equipment specifications may lead to improper performance and compromise safety!

- Do not change the engine governor settings or over-speed the engine. The governor controls the maximum safe operating speed of the engine.
- Maintain or replace safety and instruction labels, as necessary.
- Observe proper disposal laws and regulations for gas, oil, etc. to protect the environment.
- According to the Consumer Products Safety Commission (CPSC) and the U.S. Environmental Protection Agency (EPA), this product has an Average Useful Life of seven (7) years, or 270 hours of operation. At the end of the Average Useful Life, buy a new machine or have the machine inspected annually by a Sears or other qualified service dealer to ensure that all mechanical and safety systems are working properly and not worn excessively. Failure to do so can result in accidents, injuries or death.

## DO NOT MODIFY ENGINE

To avoid serious injury or death, do not modify engine in any way. Tampering with the governor setting can lead to a runaway engine and cause it to operate at unsafe speeds. Never tamper with factory setting of engine governor.

## NOTICE REGARDING EMISSIONS

Engines which are certified to comply with California and federal EPA emission regulations for SORE (Small Off Road Equipment) are certified to operate on regular unleaded gasoline, and may include the following emission control systems: Engine Modification (EM) and Three Way Catalyst (TWC) if so equipped.

## SPARK ARRESTOR

### WARNING

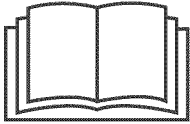









This machine is equipped with an internal combustion engine and should not be used on or near any unimproved forest-covered, brushcovered or grass-covered land unless the engine's exhaust system is equipped with a spark arrestor meeting applicable local or state laws (if any).

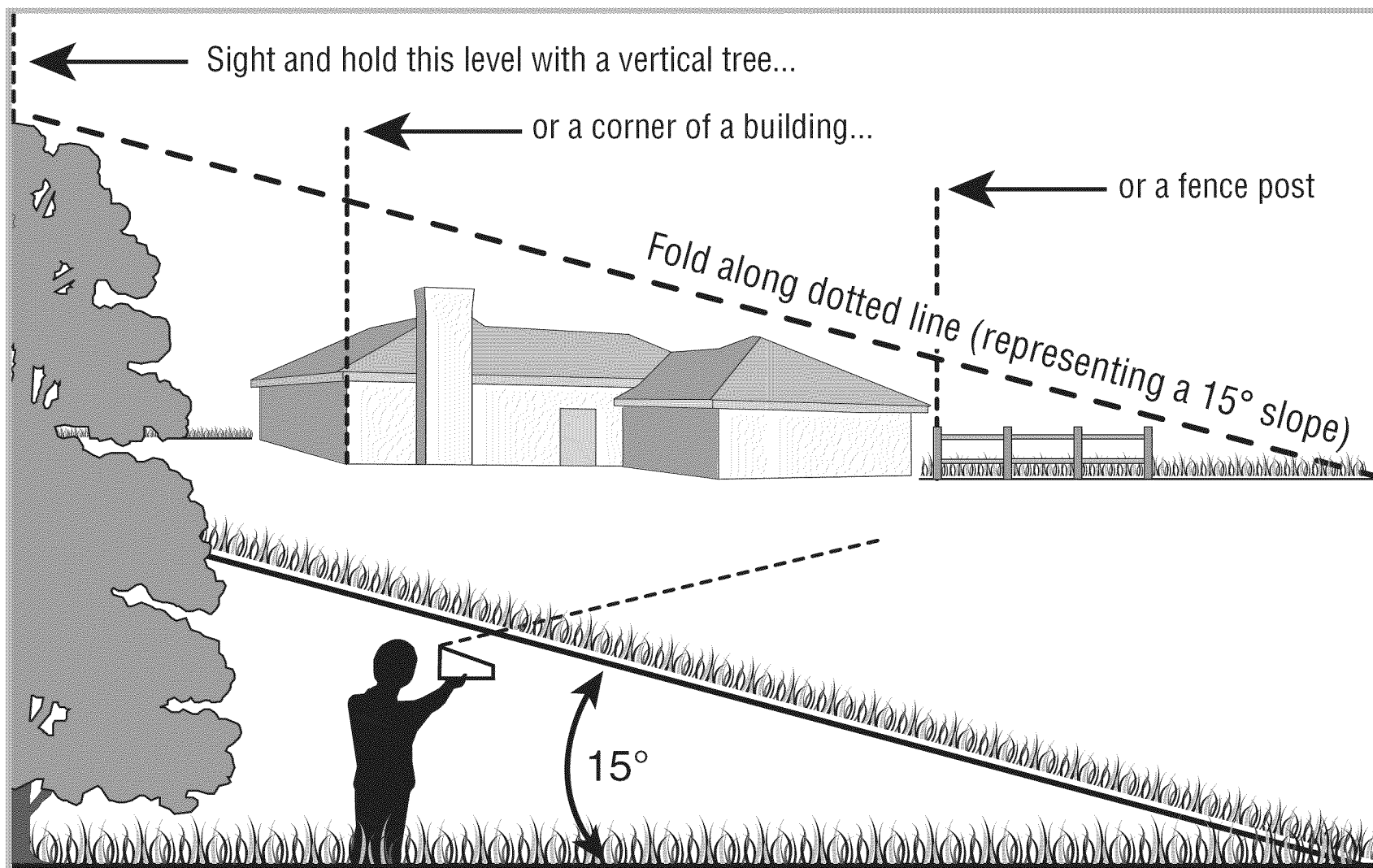
If a spark arrestor is used, it should be maintained in effective working order by the operator. In the State of California the above is required by law (Section 4442 of the California Public Resources Code). Other states may have similar laws. Federal laws apply on federal lands. A spark arrestor for the muffler is available through your nearest Sears Parts and Repair Service Center.

# SAFETY INSTRUCTIONS

## SAFETY SYMBOLS

This page depicts and describes safety symbols that may appear on this product. Read, understand, and follow all instructions on the machine before attempting to assemble and operate.

Symbol	Description
	<b>READ THE OPERATOR'S MANUAL(S)</b> Read, understand, and follow all instructions in the manual(s) before attempting to assemble and operate
	<b>DANGER— ROTATING BLADES</b> Never carry passengers. Never carry children, even with the blades off.
	<b>DANGER— ROTATING BLADES</b> Always look down and behind before and while backing to avoid a back-over accident.
	<b>WARNING— ROTATING BLADES</b> Do not put hands or feet near rotating parts or under the cutting deck. Contact with the blade(s) can amputate hands and feet.
	<b>WARNING—THROWN OBJECTS</b> This machine may pick up and throw and objects which can cause serious personal injury.
	<b>WARNING—THROWN OBJECTS</b> This machine may pick up and throw and objects which can cause serious personal injury.
	<b>BYSTANDERS</b> Keep bystanders, helpers, children and pets at least 75 feet from the machine while it is in operation.
	<b>WARNING— SLOPE OPERATION</b> Do not operate this machine on a slope greater than 15 degrees.
	<b>WARNING— HOT SURFACE</b> Engine parts, especially the muffler, become extremely hot during operation. Allow engine and muffler to cool before touching.
	<b>DANGER — ROTATING BLADES</b> To reduce the risk of injury, keep hands and feet away. Do not operate unless discharge cover or grass catcher is in its proper place. If damaged, replace immediately.



8

**⚠ WARNING**

Use this page as a guide to determine slopes where you may not operate safely.

Do not operate your lawn mower on such slopes. Do not mow on inclines with a slope in excess of 15 degrees (a rise of approximately 2-1/2 feet every 10 feet). A riding mower could overturn and cause serious injury. Operate riding mowers up and down slopes, never across the face of slopes.



# SAFETY LABELS

**DANGER**

**ROTATING BLADES CAUSE SERIOUS INJURY OR DEATH**

- DO NOT MOW WHEN CHILDREN OR OTHERS ARE AROUND
- NEVER CARRY CHILDREN EVEN WITH BLADE(S) OFF.
- LOOK DOWN AND BEHIND BEFORE AND WHILE BACKING.
- MOWING IN REVERSE IS NOT RECOMMENDED.

**WARNING**

**TO AVOID SERIOUS INJURY OR DEATH**

- GO UP AND DOWN SLOPES, NOT ACROSS.
- AVOID SUDDEN TURNS.
- DO NOT OPERATE THE UNIT WHERE IT COULD SLIP OR TIP.
- IF MACHINE STOPS GOING UPHILL, STOP BLADE(S) AND BACK DOWNHILL SLOWLY.
- KEEP SAFETY DEVICES (GUARDS, SHIELDS, AND SWITCHES, ETC.) IN PLACE AND WORKING.
- REMOVE OBJECTS THAT COULD BE THROWN BY THE BLADE(S).
- KNOW LOCATION AND FUNCTION OF ALL CONTROLS.
- BE SURE BLADE(S) AND ENGINE ARE STOPPED BEFORE PLACING HANDS OR FEET NEAR BLADE(S).
- BEFORE LEAVING OPERATOR'S POSITION, DISENGAGE BLADE(S), ENGAGE PARKING BRAKE, SHUT OFF AND REMOVE KEY.

**READ OPERATOR'S MANUAL**

**WARNING**

Operation Of This Equipment May Create Sparks That Can Start Fires Around Dry Vegetation. A Spark Arrestor May Be Required. The Operator Should Contact Local Fire Agencies For Laws Or Regulations To Fire Prevention Requirements.

## WARNING

This symbol points out important safety instructions which, if not followed, could endanger the personal safety and/or property of yourself and others. Read and follow all instructions in this manual before attempting to operate this machine. Failure to comply with these instructions may result in personal injury. When you see this symbol **HEED ITS WARNING!**

**Your Responsibility**  
Restrict the use of this power machine to persons who read, understand, and follow the warnings and instructions in this manual and on the machine.

**DANGER**

**AVOID SERIOUS INJURY OR DEATH**

- KEEP HANDS AND FEET AWAY FROM ROTATING PARTS
- REMOVE OBJECTS THAT CAN BE THROWN BY THE BLADE IN ANY DIRECTION. WEAR SAFETY GLASSES.
- DO NOT MOW WHEN CHILDREN OR OTHERS ARE AROUND. NEVER CARRY CHILDREN EVEN WITH BLADES OFF.
- USE EXTRA CAUTION ON SLOPES. DO NOT MOW SLOPES GREATER THAN 15°. MOW UP AND DOWN, NOT ACROSS. AVOID SUDDEN TURNS. USE LOW SPEED.

S30018 MAX 15

READ OPERATOR'S MANUAL. KEEP SAFETY DEVICES IN PLACE AND WORKING.

## PARKING BRAKE PEDAL

NOTICE

TO OPERATE:

- DISENGAGE PARKING BRAKE.
- USE SPEED CONTROL LEVER TO REGULATE GROUND SPEED.

TO STOP:

- MOVE SPEED CONTROL LEVER TO NEUTRAL.
- ENGAGE PARKING BRAKE.

I23405 AC

**DANGER**

**KEEP HANDS AND FEET AWAY. DO NOT OPERATE MOWER UNLESS CHUTE DEFLECTOR OR ENTIRE GRASS CATCHER IS IN ITS PROPER PLACE.**

S30503

ASSEMBLE CHUTE DEFLECTOR TO THIS UNIT BEFORE OPERATING.

# ASSEMBLY

**IMPORTANT:** Your tractor is shipped with motor oil in the engine. However, you **MUST** check the oil level before operating. Refer to the Service & Maintenance section for instructions on checking the oil level.

## Attaching the Battery Cables

### ⚠ WARNING

#### CALIFORNIA PROPOSITION 65

Battery posts, terminals, and related accessories contain lead and lead compounds, chemicals known to the State of California to cause cancer and reproductive harm. Wash hands after handling.

### ⚠ CAUTION

When attaching battery cables, always connect the POSITIVE (Red) wire to its terminal first, followed by the NEGATIVE (Black) wire.

For shipping reasons, both battery cables on your equipment have been left disconnected from the terminals at the factory. To connect the battery cables, proceed as follows:

**NOTE:** The positive battery terminal is marked Pos. (+). The negative battery terminal is marked Neg. (-).

1. Remove the plastic cover, if present, from the positive battery terminal and attach the red cable to the positive battery terminal (+) with the bolt and hex nut. See Figure 1.
2. Remove the plastic cover, if present, from the negative battery terminal and attach the black cable to the negative battery terminal (-) with the bolt and hex nut. See Figure 1.

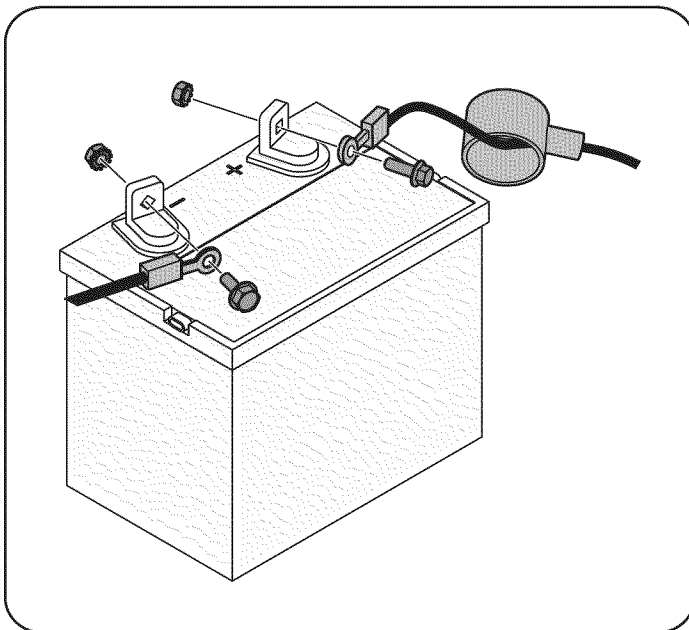


Figure 1

3. Position the red rubber boot over the positive battery terminal to help protect it from corrosion.

**NOTE:** If the battery is put into service after the date shown on top of battery, charge the battery as instructed in the Service & Maintenance section of this manual prior to operating the tractor.

## Shipping Brace Removal

### ⚠ WARNING

Make sure the riding mower's engine is off, remove the ignition key, and set the parking brake before removing the shipping brace. Refer to the Operation section for instructions on how to set the parking brake.

- Locate the shipping brace, if present, and accompanying warning tag found on the right side of the mower, between the discharge chute deflector and the cutting deck. See Fig. 2.

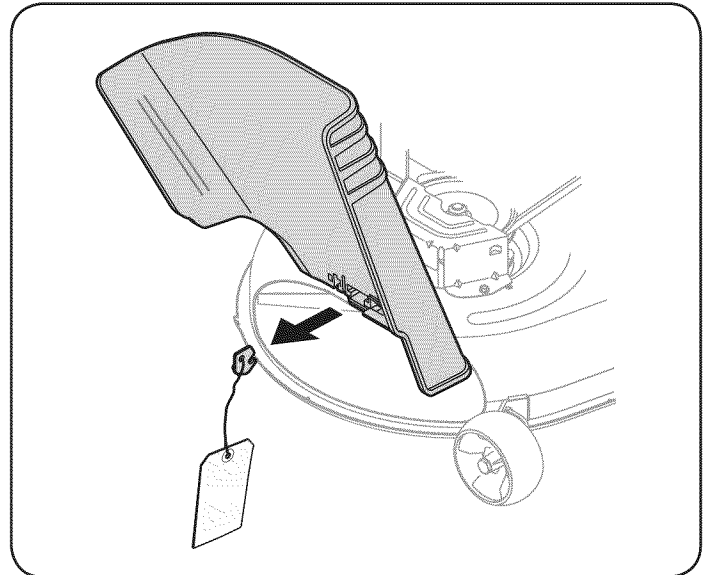


Figure 2

- Place the deck lift lever in the highest cutting position. Refer to Setting the Cutting Height in the Operation section of this manual.
- While pushing the discharge chute deflector towards the machine with your left hand, remove the shipping brace with your right hand by grasping it between your thumb and index finger and rotating it clockwise.

### ⚠ WARNING

The shipping brace, used for packaging purposes only, must be removed and discarded before operating your riding mower.

### ⚠ WARNING

The mowing deck is capable of throwing objects. Failure to operate the riding mower without the discharge cover in the proper operating position could result in serious personal injury and/or property damage.

## Attaching The Steering Wheel

If the steering wheel for your tractor did not come attached, the hardware for attaching it has been packed within the steering wheel, beneath the steering wheel cap. Carefully pry off the steering wheel cap and remove the hardware.

1. With the wheels of the tractor pointing straight forward, place the steering wheel over the steering shaft.
2. Place the washer (with the cupped side down) over the steering wheel and secure with the hex bolt. See Fig. 3.

# ASSEMBLY

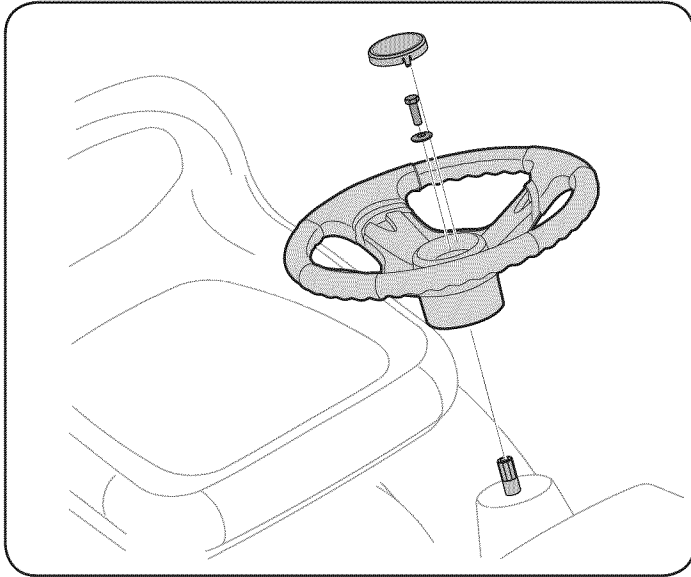


Figure 3

3. Place the steering wheel cap over the center of the steering wheel and push downward until it "clicks" into place.

## Attaching The Seat

NOTE: For shipping reasons, the seat is either fastened to the tractor seat's pivot bracket with a plastic tie, or mounted backward to the pivot bracket. In either case, free the seat from its shipping position being careful not to bend or kink the wiring harness and follow the instructions below to attach it.

1. Remove the two hex screws and nuts from the seat pivot bracket.
2. Align the front holes of the seat mounting bracket with the holes in the seat pivot bracket on your tractor and secure with previously removed hex screws and nuts. See A in Figure 4.
3. Plug the wiring harness into the seat safety switch in the bottom of the seat, as shown in B of Figure 4.

NOTE: The tractor will not operate with the wiring harness disconnected.

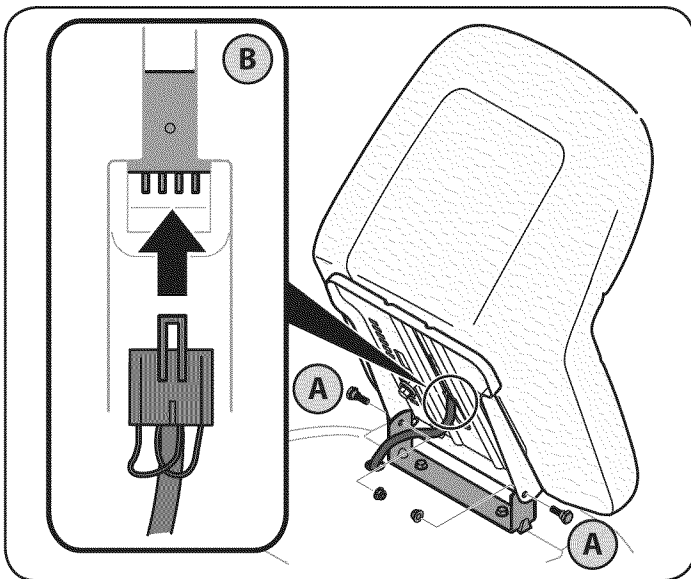


Figure 4

## Adjusting the Seat

To adjust the position of the seat, pull up and hold the seat adjustment lever. Slide the seat forward or rearward to the desired position; then release the adjustment lever. Make sure seat is locked into position in a seat-stop before operating the tractor. See Figure 5.

### ⚠ WARNING

Before operating the tractor, make sure the seat is engaged in a seat-stop. Engage the parking brake. Stand behind the machine and pull back on seat until it clicks into place.

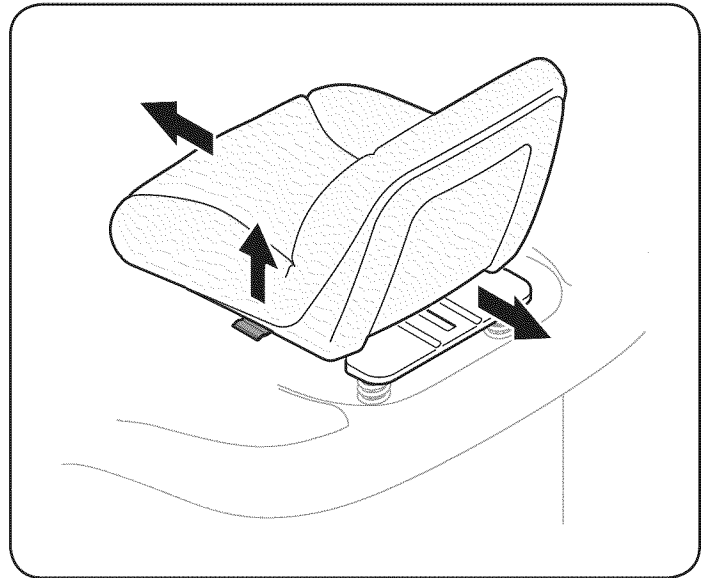


Figure 5

## Tire Pressure

### ⚠ WARNING

Maximum tire pressure under any circumstances is 30 psi. Equal tire pressure should be maintained at all times. Never exceed the maximum inflation pressure shown on the sidewall of the tire.

The recommended operating tire pressure is:

Approximately 10 psi for the rear tires

Approximately 14 psi for the front tires

**IMPORTANT:** Refer to the tire sidewall for exact tire manufacturer's recommended or maximum psi. Do not overinflate. Uneven tire pressure could cause the cutting deck to mow unevenly.

# OPERATION

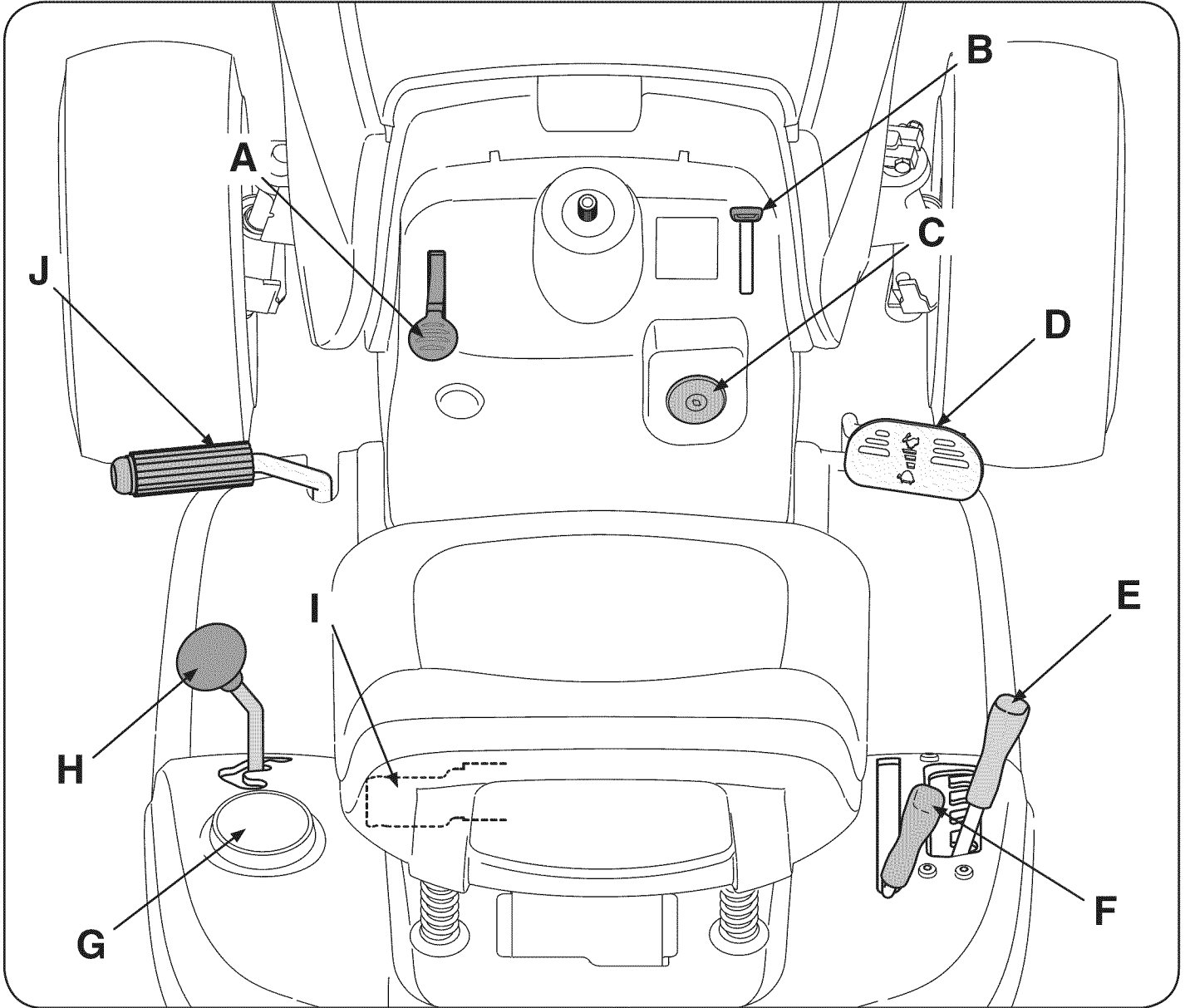


Figure 6

A	Parking Brake Lever
B	Throttle/Choke Control Lever
C	Ignition Switch Module
D	Auto-drive Pedal
E	Deck Lift Lever

F	PTO Lever (Blade Engage)
G	Cup Holder
H	Shift Lever
I	Seat Adjustment Lever
J	Brake Pedal

**NOTE:** Any reference in this manual to the RIGHT or LEFT side of the tractor is observed from operator's seat position facing forward towards the front of tractor.

## Meets ANSI Safety Standards

Craftsman Tractors conform to the safety standard of the American National Standards Institute (ANSI).

# OPERATION

## PARKING BRAKE LEVER

**To set the parking brake:** Fully depress the brake pedal. Move the parking brake lever into the parking brake position. Release the brake pedal to allow the parking brake to engage.

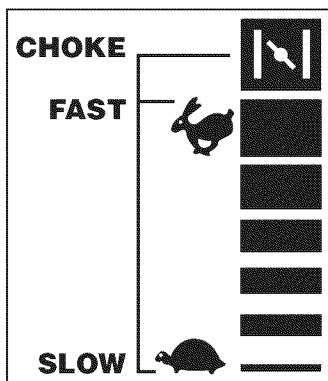
**To release the parking brake:** Depress the brake pedal and the parking brake lever will move out of the parking brake position on its own. The parking brake will then be released. Release the brake pedal.

**NOTE:** The parking brake must be set if the operator leaves the seat with the engine running or the engine will automatically shut off.

## THROTTLE/CHOKE CONTROL LEVER

The throttle/choke control lever is located on the right side of the tractor's dash panel. This lever controls the speed of the engine and when pushed all the way forward, the choke control also. When set in a given position, the throttle will maintain a uniform engine speed.

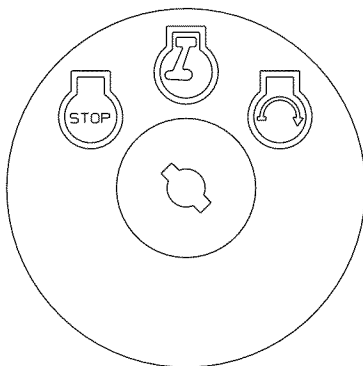
**IMPORTANT:** When operating the tractor with the cutting deck engaged, the throttle/choke control lever must always be in the FAST (rabbit) position.



## IGNITION SWITCH

The key switch module is used to start and stop the engine. Insert key into the key switch module and turn clockwise to the START position. Release the key into the normal mowing position once engine has started. The headlights will be activated automatically.

To stop the engine, turn the ignition key counterclockwise to the STOP position.



**IMPORTANT:** Prior to operating the tractor, refer to both the "Safety Interlock System" and "Starting The Engine" later in this section of this manual for detailed instructions regarding the Ignition Switch Module.

## ⚠ WARNING

Never leave a running machine unattended. Always disengage PTO (Blade Engage Lever), move shift lever into neutral position, set parking brake, stop engine and remove key to prevent unintended starting.

## SEAT ADJUSTMENT LEVER

The seat adjustment lever is located below the front/left of the seat. The lever allows for adjustment of the fore and aft position of the seat. Refer to the Assembly section of the manual for more detailed instructions for adjusting the seat position.

## AUTO-DRIVE PEDAL

The drive pedal is located on the right side of the tractor, along the running board. Depress the drive pedal forward and the tractor will move in the direction that the shift lever is engaged in. To cause the tractor to travel forward, while at a complete stop, move the shift lever into the Forward position. Gradually step on the drive pedal and the tractor will begin to move forward. To move in Reverse, follow the same procedure only move the shift lever into the reverse position.

The ground speed is controlled with the drive pedal. The further forward that the pedal is pivoted, the faster the tractor will travel. The pedal will return to its original position when it's not depressed. Refer to the Operation section of this manual for detailed instructions regarding the drive pedal.

**IMPORTANT:** Always set the parking brake when leaving the tractor unattended.

## DECK LIFT LEVER

Found on your tractor's right fender, the deck lift lever is used to change the height of the cutting deck. To use, move the lever to the left, then place in the notch best suited for your application.

## PTO (BLADE ENGAGE) LEVER

Found on the tractor's right fender, the PTO (blade engage) lever is used to engage power to the cutting deck or other (separately available) attachments. To operate, move the lever all the way forward. Moving the lever all the way rearward into the PTO OFF position disengages power to the cutting deck/ attachment.

**NOTE:** The PTO (blade engage) lever must be in the disengaged (PTO OFF) position when starting the engine.

## CUP HOLDER

The tractor's cup holder is located on the fender to the left of the seat.

## SHIFT LEVER

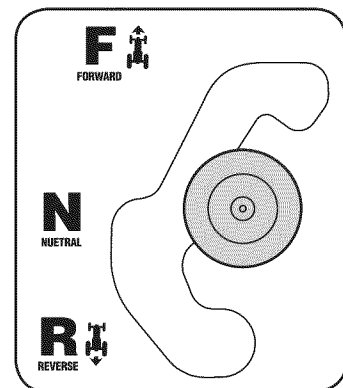
The shift lever is located on the left side of the fender and has three positions, FORWARD, NEUTRAL and REVERSE. The brake pedal must be depressed and the tractor must not be in motion when the moving shift lever.

**IMPORTANT:** Never force the shift lever. Doing so may result in serious damage to the tractor's transmission.

## BRAKE PEDAL

The brake pedal is located on the left side of the lawn tractor, along the running board. Depress the brake pedal to engage the disc brake and bring the tractor to a complete stop.

**NOTE:** The pedal must be depressed to start the engine. Refer to Safety Interlock Switches later in this section of this manual.



# OPERATION

## GAS AND OIL FILL-UP

### Oil

**IMPORTANT:** Your tractor is shipped with motor oil in the engine. However, you **MUST** check the oil level before operating. Be careful not to overfill.

For instructions on how to check the engine oil, refer to Checking The Engine Oil in the Service and Maintenance section of this manual.

### Gasoline

The gasoline tank is located under the hood. Do not overfill.

#### **⚠ WARNING**

Use extreme care when handling gasoline. Gasoline is extremely flammable and the vapors are explosive. Never fuel machine indoors or while the engine is hot or running. Extinguish cigarettes, cigars, pipes, and other sources of ignition.

**NOTE :** Purchase gasoline in small quantities. Do not use gasoline left over from the previous season, to minimize gum deposits in the fuel system.

- This engine is certified to operate on unleaded gasoline. For best results, fill the fuel tank with only clean, fresh, unleaded gasoline with a pump sticker octane rating of 87 or higher.
- Gasohol (up to 10% ethyl alcohol, 90% unleaded gasoline by volume) is an approved fuel. Other gasoline/alcohol blends, such as E85, are not approved.
- Methyl Tertiary Butyl Ether (MTBE) and unleaded gasoline blends (up to a maximum of 15% MTBE by volume) are approved fuels. Other gasoline/ether blends are not approved.
- Fill fuel tank outdoors or in well-ventilated area.
- Do not overfill fuel tank. Fill tank to no more than 1/2 inch below bottom of filler neck to allow space for fuel expansion.
- Never remove gas cap or add fuel while the engine is hot or running. Allow engine to cool at least two minutes before refueling.
- If gasoline is spilled, wipe it off the engine and equipment. Move machine to another area. Wait 5 minutes before starting the engine.

### To Add Gasoline

1. Turn the engine off and let engine cool at least 2 minutes before removing the fuel cap. The gasoline tank is located under the hood. Remove the fuel cap by turning it counterclockwise.
2. Fill the fuel tank with gasoline. Use only clean, fresh (no more than 30 days old), unleaded gasoline. Fill tank to no more than 1/2 inch below bottom of filler neck to allow space for fuel expansion.
3. Reinstall the fuel cap.

**IMPORTANT:** Do not overfill the tank. Fill tank to no more than 1/2 inch below bottom of filler neck to allow space for fuel expansion. See Fig. 7.

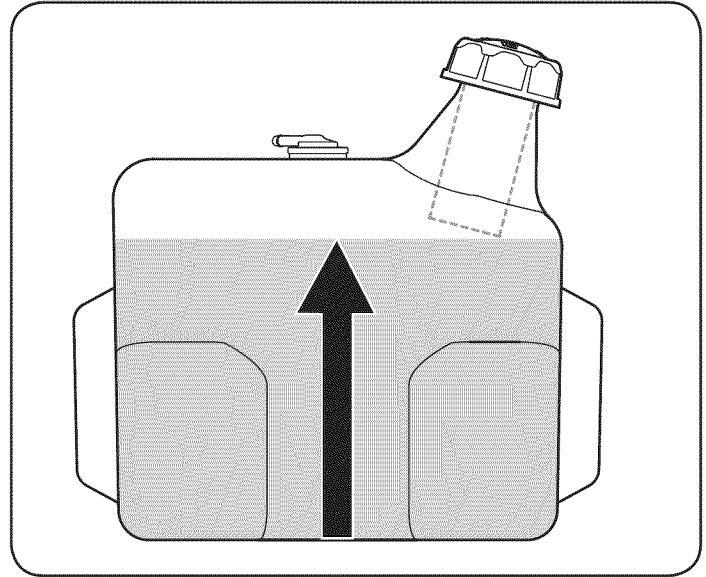


Figure 7

#### **⚠ WARNING**

##### **Avoid Serious Injury or Death**

- Go up and down slopes, not across.
- Avoid sudden turns.
- Do not operate the unit where it could slip or tip.
- If machine stops going uphill, stop blades and back downhill slowly.
- Do not mow when children or others are around.
- Never carry children, even with blades off.
- Look down and behind before and while backing.
- Keep safety devices (guards, shields, and switches) in place and working.
- Remove objects that could be thrown by the blades.
- Know location and function of all controls.
- Be sure blades and engine are stopped before placing hands or feet near blades.
- Before leaving operator's position, stop tractor, disengage blades, engage parking brake, shut engine off, and remove key.

**Read Operator's Manual**

# OPERATION

## SAFETY INTERLOCK SYSTEM

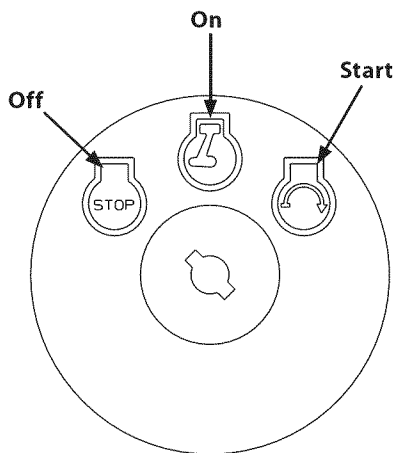
The safety interlock system is designed for safe operation of the tractor. If this system should ever malfunction, do not operate the tractor. Immediately contact 1-800-4-MY-HOME to have the system serviced.

- The safety interlock system prevents the engine from starting unless the parking brake is engaged and the PTO (Blade Engage) lever is in the disengaged (OFF) position.
- The safety interlock system will automatically shut off the engine if the operator leaves the seat before engaging the parking brake.
- The safety interlock system will automatically shut off the engine if the operator leaves the tractor's seat with the PTO (Blade Engage) lever engaged, regardless of whether the parking brake is engaged.

## IGNITION SWITCH

The ignition switch is activated to start the engine. Insert key into the ignition switch and turn clockwise to the START position. Release the key into the ON position once engine has fired.

To stop the engine, turn the ignition key counterclockwise to the OFF position.



### **⚠ WARNING**

Never leave a running machine unattended. Always disengage PTO, move shift lever into neutral position, set parking brake, stop engine and remove key to prevent unintended starting.

## ENGAGING THE PARKING BRAKE

**To engage the parking brake:**

1. Fully depress the brake pedal and hold it down with your foot.
2. Move the speed control lever all the way down and into the parking brake position.
3. Release the brake pedal to allow the parking brake to engage.

**To release the parking brake:**

1. Depress the brake pedal and move the speed control lever out of the parking brake position and into a desired speed.

## SETTING THE CUTTING HEIGHT

1. Select the height position of the cutting deck by placing the deck lift lever in any of the different cutting height notches on the right side of the fender.
2. Adjust the deck wheels so that they are between ¼-inch and ½-inch above the ground when the tractor is on a smooth, flat surface such as a driveway.

**To adjust Deck Wheels:**

1. Remove the flange lock nut on the shoulder bolt securing the deck wheel.
2. Position the wheel to the desired height as listed above. See Fig. 8.
3. Secure the shoulder bolt with the flange lock nut.

### **⚠ WARNING**

Keep hands and feet away from the discharge opening of the cutting deck.

**NOTE:** The deck wheels are an anti-scalp feature of the deck and are not designed to support the weight of the cutting deck. Refer to Leveling in the Maintenance & Service section of this manual for more detailed instructions regarding various deck adjustments.

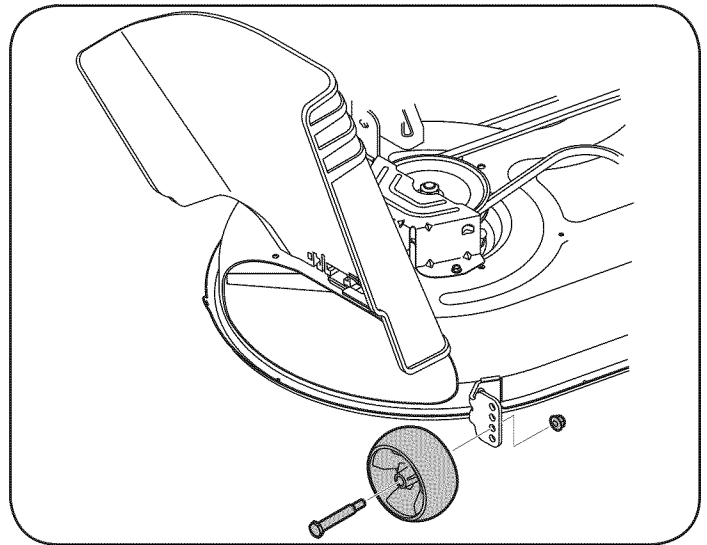


Figure 8

## STARTING THE ENGINE

### **⚠ WARNING**

Do not operate the tractor if the interlock system is malfunctioning. This system was designed for your safety and protection.

**NOTE:** Refer to the Gasoline and Oil fill-up instructions earlier in this section.

1. Insert the tractor key into the ignition switch.
2. Place the PTO (Blade Engage) lever in the disengaged (OFF) position.
3. Engage the tractor's parking brake.
4. Activate the choke control by moving the throttle/choke lever all the way up into the choke position.

# OPERATION

5. Turn the ignition key clockwise to the START position. After the engine starts, release the key. It will return to the ON (or Normal Mowing) position.

## ⚠ CAUTION

Do NOT hold the key in the START position for longer than ten seconds at a time. Doing so may cause damage to your engine's electric starter.

6. After the engine starts, deactivate the choke control and place the throttle control in the FAST position.

**NOTE:** Do NOT leave the choke control on while operating the tractor. Doing so will result in a "rich" fuel mixture and cause the engine to run poorly.

## STOPPING THE ENGINE

### ⚠ WARNING

If you strike a foreign object, stop the engine, disconnect the spark plug wire(s) and ground against the engine. Thoroughly inspect the machine for any damage. Repair the damage before restarting and operating

1. If the blades are engaged, place the PTO (Blade Engage) lever in the disengaged (OFF) position.
2. Turn the ignition key counterclockwise to the STOP position.
3. Remove the key from the ignition switch to prevent unintended starting.

## DRIVING THE TRACTOR

### ⚠ WARNING

Avoid sudden starts, excessive speed and sudden stops.

### ⚠ WARNING

Do not leave the seat of the tractor without first placing the PTO (Blade Engage) lever in the disengaged (OFF) position, depressing the brake pedal and engaging the parking brake. If leaving the tractor unattended, also turn the ignition key off and remove the key.

### ⚠ WARNING

Always look down and behind before and while backing up to avoid a back-over accident.

1. Depress the brake pedal to release the parking brake and then let the pedal up.
2. Move the throttle lever into the FAST (rabbit) position.
3. Place the shift lever in either the FORWARD or REVERSE position.

**IMPORTANT:** Do NOT use the shift lever to change the direction of travel when the tractor is in motion. Always use the brake pedal to bring the tractor to a complete stop before shifting.

4. Gradually begin to apply pressure to the drive pedal. The further down the pedal is pushed, the faster the tractor will travel in the desired direction based on the position of the shift lever.
5. The lawn tractor is brought to a stop by releasing the drive pedal and then depressing the brake pedal.

### ⚠ WARNING

Before leaving the operator's position for any reason, disengage the blades, place the shift lever in neutral, engage the parking brake, shut engine off and remove the key.

When stopping the tractor for any reason while on a grass surface, always:

1. Place the shift lever in neutral,
2. Engage the parking brake,
3. Shut engine off and remove the key. Doing so will minimize the possibility of having your lawn "browned" by hot exhaust from your tractor's running engine.



# OPERATION

## DRIVING ON SLOPES

Refer to the SLOPE GAUGE in the Safety Instructions section of the manual to help determine slopes where you may operate this tractor safely.

### WARNING

Do not mow on inclines with a slope in excess of 15 degrees (a rise of approximately 2-1/2 feet every 10 feet). The tractor could overturn and cause serious injury.

- Mow up and down slopes, NEVER across.
- Exercise extreme caution when changing direction on slopes.
- Watch for holes, ruts, bumps, rocks, or other hidden objects. Uneven terrain could overturn the machine. Tall grass can hide obstacles.
- Avoid turns when driving on a slope. If a turn must be made, turn down the slope. Turning up a slope greatly increases the chance of a roll over.
- Avoid stopping when driving up a slope. If it is necessary to stop while driving up a slope, start up smoothly and carefully to reduce the possibility of flipping the tractor over backward.

## ENGAGING THE BLADES

Engaging the PTO (Blade Engage) transfers power to the cutting deck or other (separately available) attachments. To engage the blades, proceed as follows:

1. Move the throttle/choke control lever to the FAST (rabbit) position.
2. Grasp the PTO (Blade Engage) lever and pivot it all the way forward into the engaged (ON) position.
3. Keep the throttle lever in the FAST (rabbit) position for the most efficient use of the cutting deck or other (separately available) attachments.

**NOTE:** The engine will automatically shut off if the PTO is engaged with the shift lever in position for reverse travel with the ignition key in the ON position.

## MULCHING

A mulch kit is available as an attachment. Mulching is a process of recirculating grass clippings repeatedly beneath the cutting deck. The ultra-fine clippings are then forced back into the lawn where they act as a natural fertilizer.

A mulch kit can be purchased through the retail location in which you purchased this tractor. **For more information, simply contact Sears at 1-800-4-MY-HOME®.**

## USING THE DECK LIFT LEVER

To raise the cutting deck, move the deck lift lever to the left, then place it in the notch best suited for your application. Refer to Setting The Cutting Height earlier in this section.

## MOWING

### WARNING

To help avoid blade contact or a thrown object injury, keep bystanders, helpers, children and pets at least 75 feet from the machine while it is in operation. Stop machine if anyone enters the area.

The following information will be helpful when using the cutting deck with your tractor:

### WARNING

Plan your mowing pattern to avoid discharge of materials toward roads, sidewalks, bystanders and the like. Also, avoid discharging material against a wall or obstruction which may cause discharged material to ricochet back toward the operator.

- Do not mow at high ground speed, especially if a mulch kit or grass collector is installed.
- For best results it is recommended that the first two laps be cut with the discharge thrown towards the center. After the first two laps, reverse the direction to throw the discharge to the outside for the balance of cutting. This will give a better appearance to the lawn.
- Do not cut the grass too short. Short grass invites weed growth and yellows quickly in dry weather.
- Mowing should always be done with the engine at full throttle.
- Under heavier conditions it may be necessary to go back over the cut area a second time to get a clean cut.
- Do NOT attempt to mow heavy brush and weeds and extremely tall grass. Your tractor is designed to mow lawns, NOT clear brush.
- Keep the blades sharp and replace the blades when worn. Refer to Cutting Blades in the Service section of this manual for proper blade sharpening instructions.

## HEADLIGHTS

- The lamps are ON whenever the tractor's engine is running.
- The lamps turn OFF when the ignition key is moved to the STOP position.

# SERVICE AND MAINTENANCE

## MAINTENANCE SCHEDULE

### WARNING

Before performing any type of maintenance/service, disengage all controls and stop the engine. Wait until all moving parts have come to a complete stop. Disconnect spark plug wire and ground it against the engine to prevent unintended starting. Always wear safety glasses during operation or while performing any adjustments or repairs.

Follow the maintenance schedule given below. This chart describes service guidelines only. Use the Service Log column to keep track of completed maintenance tasks. **To locate the nearest Parts & Repair Service Center or to schedule service, simply contact 1-800-4-MY-HOME®.**

Interval	Item	Service	Service Log
Before Each Use	<ol style="list-style-type: none"> <li>Engine oil level</li> <li>Muffler area and controls</li> <li>Finger guard</li> </ol>	<ol style="list-style-type: none"> <li>Check</li> <li>Clean</li> <li>Clean</li> </ol>	
In the First Five Hours	<ol style="list-style-type: none"> <li>Engine Oil</li> </ol>	<ol style="list-style-type: none"> <li>Change</li> </ol>	
Every 10 Hours	<ol style="list-style-type: none"> <li>Hood/ Dash air vents</li> <li>Battery terminals</li> <li>Deck spindles and idler bracket</li> </ol>	<ol style="list-style-type: none"> <li>Clean</li> <li>Clean</li> <li>Lubricate</li> </ol>	
Every 25 hours	<ol style="list-style-type: none"> <li>Air filter's precleaner*</li> <li>Air filter*</li> <li>Mid steering arms, pivot shafts, and axles</li> <li>Front wheel bearings</li> <li>Front deck wheels</li> </ol>	<ol style="list-style-type: none"> <li>Clean</li> <li>Clean</li> <li>Lubricate</li> <li>Lubricate</li> <li>Lubricate</li> </ol>	
Every 50 hours	<ol style="list-style-type: none"> <li>Engine oil/ Oil filter</li> <li>Muffler</li> </ol>	<ol style="list-style-type: none"> <li>Change/ Replace</li> <li>Check</li> </ol>	
Annually	<ol style="list-style-type: none"> <li>Air filter</li> <li>Air filter's pre-cleaner</li> <li>Spark plug</li> <li>Air cooling system*</li> <li>Fuel filter</li> <li>Steering Gears</li> <li>Rear Wheels</li> </ol>	<ol style="list-style-type: none"> <li>Replace</li> <li>Replace</li> <li>Replace</li> <li>Clean</li> <li>Replace</li> <li>Clean</li> <li>Remove and grease axles</li> </ol>	
Before Storage	<ol style="list-style-type: none"> <li>Hood/ Dash air vents</li> <li>Battery terminals</li> <li>Mid steering arms, pivot shafts, and axles</li> <li>Front wheel bearings</li> <li>Front deck wheels</li> <li>Deck spindles and idler bracket</li> <li>Pedal pivot points</li> </ol>	<ol style="list-style-type: none"> <li>Clean</li> <li>Clean</li> <li>Lubricate</li> <li>Lubricate</li> <li>Lubricate</li> <li>Lubricate</li> <li>Lubricate</li> </ol>	

\*Service more frequently under dusty conditions.

### WARNING

Before performing any maintenance or repairs, disengage the PTO (Blade Engage Lever), engage the parking brake, stop the engine and remove the key to prevent unintended starting.

### WARNING

If the engine has been recently run, the engine, muffler and surrounding metal surfaces will be hot and can cause burns to the skin. Exercise caution to avoid burns.

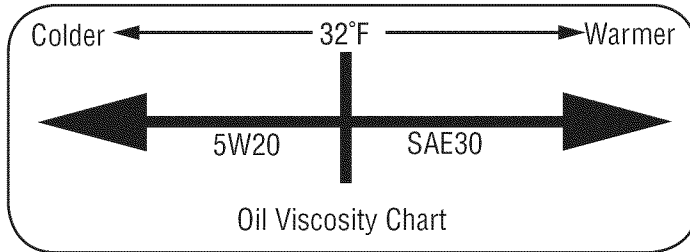
# SERVICE AND MAINTENANCE

## ENGINE MAINTENANCE

### Checking the Engine Oil

Only use high quality detergent oil rated with API service classification SF, SG, SH, or SJ. Select the oil's SAE viscosity grade according to the expected operating temperature. Follow the chart below.

Although multi-viscosity oils (5W20, 10W30, etc.) improve starting in cold weather, they will result in increased oil consumption when used above 32°F. Check your engine oil level more frequently to avoid possible engine damage from running low on oil.



To check the engine oil, proceed as follows:

- Ensure that the tractor is on a level surface.
  - Clean the oil fill area of any debris.
1. Remove the dipstick and wipe with a clean cloth.
  2. Insert and tighten dipstick.
  3. Remove the dipstick and check the oil level. It should be at the Full mark on the dipstick. See Figure 9.

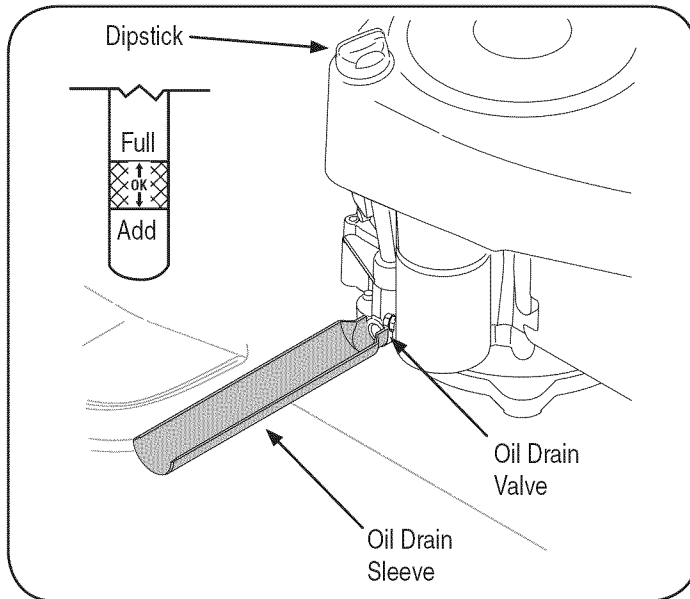


Figure 9

4. If low, add oil slowly into the engine oil fill. Do not overfill. After adding oil, wait one minute and then recheck the oil level.

### CAUTION

Do not overfill. Overfilling with oil may cause the engine to not start, hard starting, or engine smoking. If over the FULL mark on the dipstick, drain oil to reduce oil level to FULL mark on dipstick.

5. Replace and tighten dipstick.

### Changing Engine Oil

The engine oil should be changed in the first 5 hours and then every 50 hours or once a season. To change the engine oil, proceed as follows:

1. With engine OFF but still warm, disconnect spark plug wire and keep it away from spark plug.
2. Remove the oil fill cap/dipstick from the oil fill tube. See Figure 9.
3. Turn the steering wheel all the way to the right to better expose the drain plug.
4. Clip the oil drain sleeve (packed with this manual) onto the oil drain port. Route the opposite end of the sleeve into an appropriate oil collection container with a capacity great enough to collect the used oil.
5. Remove the oil drain plug. The oil will begin to drain out of the engine.
6. After the oil has finished draining, replace the oil drain plug and tighten. Be careful not to overtighten.
7. Remove the oil drain sleeve and store for later use.
8. Refill the engine with new motor oil until the oil level on the dipstick reads FULL. Replace the oil fill cap/dipstick.

### CAUTION

Used oil is a hazardous waste product. Dispose of used oil properly. Do not discard with household waste. Check with your local authorities or contact 1-800-4-MY-HOME for a list of safe disposal/recycling facilities.

### Changing the Oil Filter

1. Drain the oil from the engine as described above.
2. Remove the oil filter and dispose of properly. See Figure 10.
3. Before you install the new oil filter, lightly lubricate the oil filter

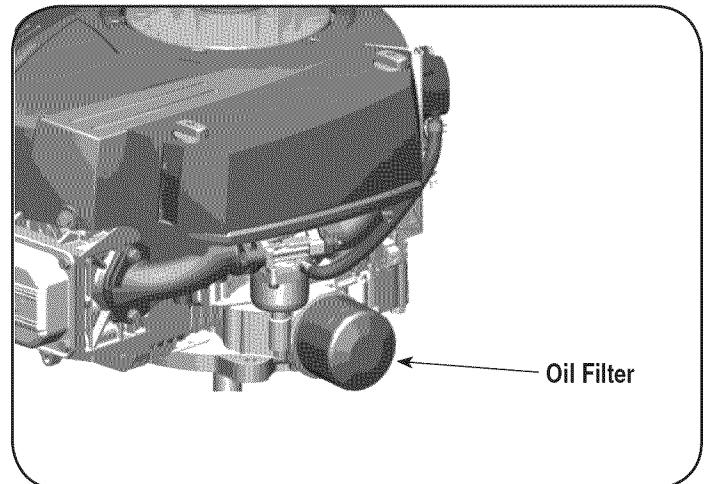


Figure 10

- gasket with fresh, clean oil.
4. Install the oil filter by hand until the gasket contacts the oil filter adapter, then tighten the oil filter 1/2 to 3/4 turns.
5. Add oil as described above.
6. Start and run the engine. As the engine warms up, check for oil leaks.
7. Stop the engine and check the oil level. It should be at the FULL

# SERVICE AND MAINTENANCE

mark on the dipstick.

## Fuel Filter

### ⚠ WARNING

Gasoline and its vapors are extremely flammable and explosive. Fire or explosion can cause severe burns or death.

- Keep gasoline away from sparks, open flames, pilot lights, heat, and other ignition sources.
- Check fuel lines, tank, cap, and fittings frequently for cracks or leaks. Replace if necessary.
- Before replacing the fuel filter, drain the fuel tank as per the instructions below.
- Do not drain fuel when the engine is hot. Allow the engine adequate time to cool. Drain fuel into an approved container outdoors, away from open flame.
- Drain any large volume of fuel from the tank by disconnecting the fuel line from the in-line fuel filter near the engine.
- Remove the fuel line from the In-line side (side towards the fuel tank) of the fuel filter.
- Replacement parts must be the same and installed in the same position as the original parts.
- If fuel spills, wait until it evaporates before starting engine.
- Before replacing the fuel filter, drain the fuel tank. Otherwise, fuel can leak out and cause a fire or explosion.

### To Drain the fuel:

1. Locate the fuel filter, which is routed on the left side of the engine between the fuel tank and the carburetor, and may be attached to the engine with a tie strap. Cut the tie strap, if present, then pinch the in-line clamp on the fuel filter with a pair of pliers, slide the clamp up the fuel line. Pull the fuel line free from the filter and place the open end of the line into an approved container to drain the fuel.

### To change the fuel filter:

1. Use pliers to squeeze the tabs on the other clamp (the out-line side of the fuel filter), then slide the clamp away from the fuel filter. Twist and pull the fuel line off of the fuel filter. See Figure 11.
2. Check the fuel lines for cracks or leaks. Replace if necessary.
3. Replace the fuel filter with an original equipment replacement filter. Call 1-800-4-MY-HOME® to purchase the original equipment replacement filter.
4. Secure the fuel lines with the clamps.

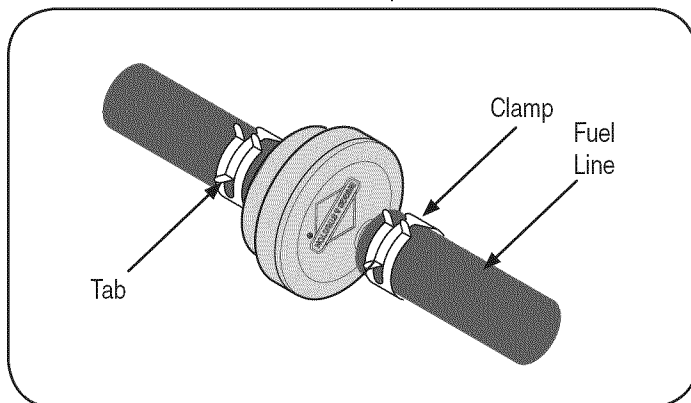


Figure 11

## Air Cleaner

### ⚠ WARNING

If filters, or covers are not installed correctly serious injury or death could result from backfire. Do not attempt to start the engine with them removed.

### ⚠ CAUTION

Do not use pressurized air or solvents to clean the air cleaner cartridge.

The air filter system uses a cylindrical cartridge.

1. Remove the fasteners (A) and the air filter cover (B). See Figure 12.
2. To remove the filter (C), lift the end of the filter and then pull the filter off the intake (D).
3. To loosen debris, gently tap the filter on a hard surface. If the filter is excessively dirty, replace with a new filter.
4. Install the filter on the intake. Push the end of the filter into the

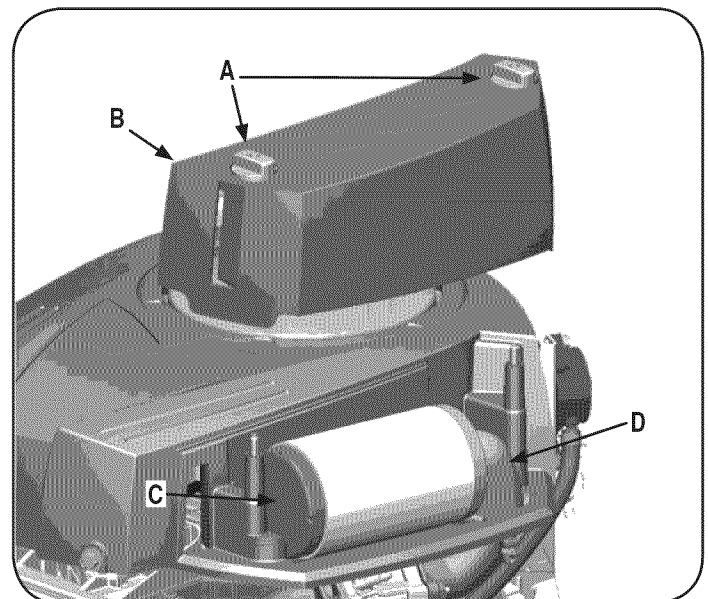


Figure 12

5. Install air filter cover and secure with fasteners.

# SERVICE AND MAINTENANCE

## Spark Plug

1. Clean area around the spark plug base. Do not sandblast spark plug. Spark plug should be cleaned by scraping or wire brushing and washing with a commercial solvent
2. Remove and inspect the spark plug. Check gap to make sure it is set at .030". See Figure 13.

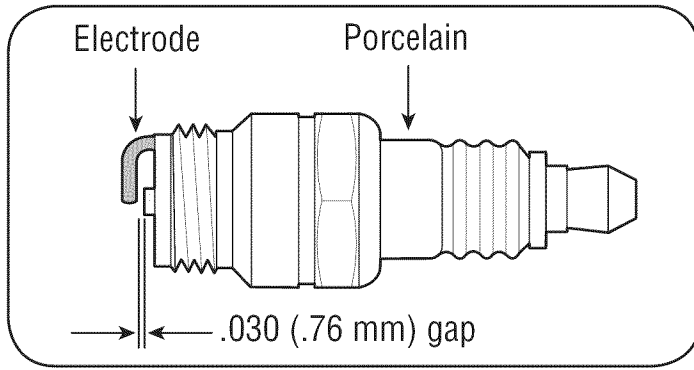


Figure 13

3. Replace the spark plug (Champion® RC12YC) once a season .

## Muffler

### ⚠ WARNING

Temperature of muffler and nearby engine areas may exceed 150° F (65°C). Avoid contact with these areas.

- Inspect muffler periodically, and replace if necessary. Replacement parts for the muffler must be the same and installed in the same position as the original parts.

## Clean Engine

- Daily or before every use, clean grass, chaff or accumulated debris from engine. Keep linkage, spring, and controls clean.
- Keep area around and behind muffler free of any combustible debris.
- Keeping engine clean allows air movement around engine.
- Engine parts should be kept clean to reduce the risk of overheating and ignition of accumulated debris.

### ⚠ CAUTION

Do not use water to clean engine parts. Water could contaminate fuel system. Use a brush or dry cloth.

## Carburetor Adjustment

- The carburetor on this engine is not adjustable.

## LUBRICATION

### ⚠ WARNING

Before lubricating, repairing, or inspecting, always disengage PTO (Blade Engage Lever), move shift lever into neutral position, set parking brake, stop engine and remove key to prevent unintended starting.

## Pivot Points & Linkage

Lubricate all the pivot points on the drive system, parking brake and lift linkage at least once a season with light oil.

## Rear Wheels

The rear wheels should be removed from the axles once a season. Lubricate the axles and the rims well with an all-purpose grease before re-installing them.

## Front Axles

Each end of the tractor's front pivot bar may be equipped with a grease fitting. Lubricate with a grease gun after every 25 hours of tractor operation.

## Battery

The battery is sealed and is maintenance-free. Acid levels cannot be checked.

- Always keep the battery cables and terminals clean and free of corrosive build-up.
- After cleaning the battery and terminals, apply a light coat of petroleum jelly or grease to both terminals.
- Always keep the rubber boot positioned over the positive terminal to prevent shorting.

**IMPORTANT:** If removing the battery for any reason, disconnect the NEGATIVE (Black) wire from its terminal first, followed by the POSITIVE (Red) wire. When re-installing the battery, always connect the POSITIVE (Red) wire to its terminal first, followed by the NEGATIVE (Black) wire. Be certain that the wires are connected to the correct terminals; reversing them could change the polarity and result in damage to your engine's alternating system.

## Cleaning Battery

Clean the battery by removing it from the tractor and washing with a baking soda and water solution. If necessary, scrape the battery terminals with a wire brush to remove deposits. Coat terminals and exposed wiring with grease or petroleum jelly to prevent corrosion.

## Battery Failures

Some common causes for battery failure are:

- Incorrect initial activation
- Overcharging
- Freezing
- Undercharging
- Corroded connections

These failures are NOT covered by your tractor's warranty.

# SERVICE AND MAINTENANCE

## CLEANING THE ENGINE AND DECK

Any fuel or oil spilled on the machine should be wiped off promptly. Do NOT allow debris to accumulate around the cooling fins of the engine or on any other part of the machine.

**IMPORTANT:** The use of a pressure washer to clean your tractor is NOT recommended. It may cause damage to electrical components, spindles, pulleys, bearings or the engine.

A screw plug can be found on your tractor's deck surface as seen in Fig. 14. This plug can be replaced with a water port to be used as part of a separately-available deck wash system.

The Deck Wash System™ is used to rinse grass clippings from the deck's underside and prevent the buildup of corrosive chemicals.

**NOTE:** A deck wash system can be purchased through the retail location in which you purchased this tractor. For more information, call 1-800-4-MY-HOME®.

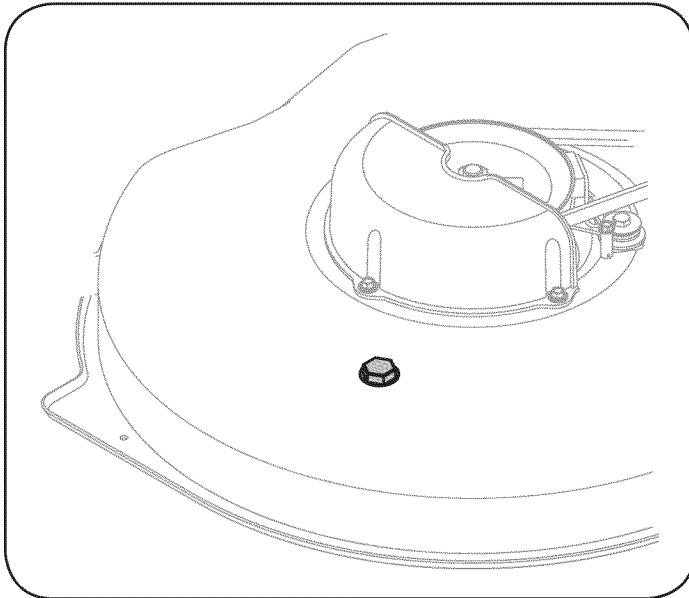


Figure 14

## ADJUSTMENTS

### ⚠ WARNING

Never attempt to make any adjustments while the engine is running, except where specified in the operator's manual.

### Leveling the Deck

**NOTE:** Check the tractor's tire pressure before performing any deck leveling adjustments. Refer to Tires in the Service section of this manual for more information regarding tire pressure.

#### Front To Rear

The front of the cutting deck is supported by a stabilizer bar that can be adjusted to level the deck from front to rear. The front of the deck should be between ¼-inch and ⅜-inch lower than the rear of the deck. Adjust if necessary as follows:

1. With the tractor parked on a firm, level surface, place the lever for lifting the platform on the second to the top notch (second highest position) and rotate the blade as close as possible to the discharge channel that is parallel to the tractor.

2. Measure the distance from the front of the blade tip to the ground and the rear of the blade tip to the ground. The first measurement taken should be between ¼" and ⅜" less than the second measurement. Determine the approximate distance necessary for proper adjustment and proceed, if necessary, to the next step.
3. Locate the flange lock nut on the front side of the stabilizer bracket. See Fig. 15.
  - Tighten the flange lock nut to raise the front of the deck;
  - Loosen the flange lock nut to lower the front of the deck.

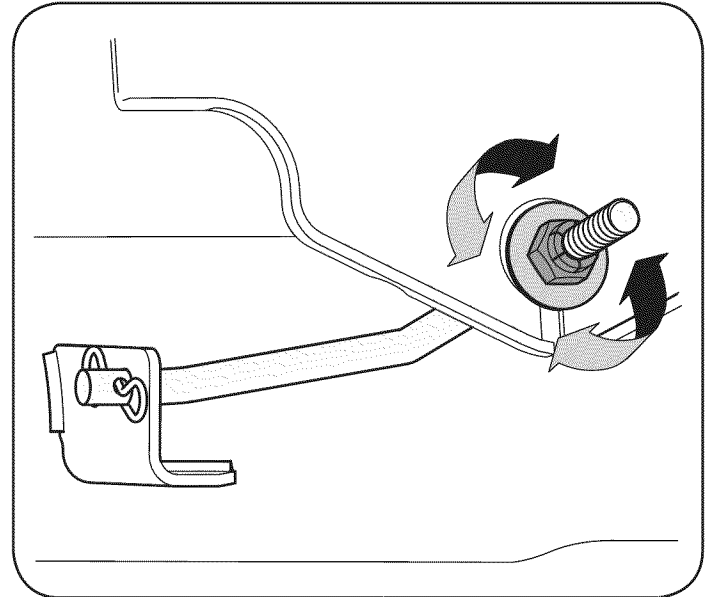


Figure 15

#### Side to Side

If the cutting deck appears to be mowing unevenly, a side to side adjustment can be performed. Adjust if necessary as follows:

1. With the tractor parked on a firm, level surface, place the deck lift lever in the second from the top notch (second highest position) and rotate both blades so that they are perpendicular with the tractor.
2. Measure the distance from the outside of the left blade tip to the ground and the distance from the outside of the right blade tip to the ground. Both measurements taken should be equal. If they're not, proceed to the next step.
3. Loosen, but do NOT remove, the hex cap screw on the left deck hanger bracket. See Fig. 16.
4. Balance the deck by using a wrench to turn the adjustment gear (found immediately behind the hex cap screw just loosened) clockwise/up or counterclockwise/down. The deck is properly balanced when both blade tip measurements taken earlier are equal.
5. Retighten the hex cap screw on the left deck hanger bracket when proper adjustment is achieved.

## SERVICE AND MAINTENANCE

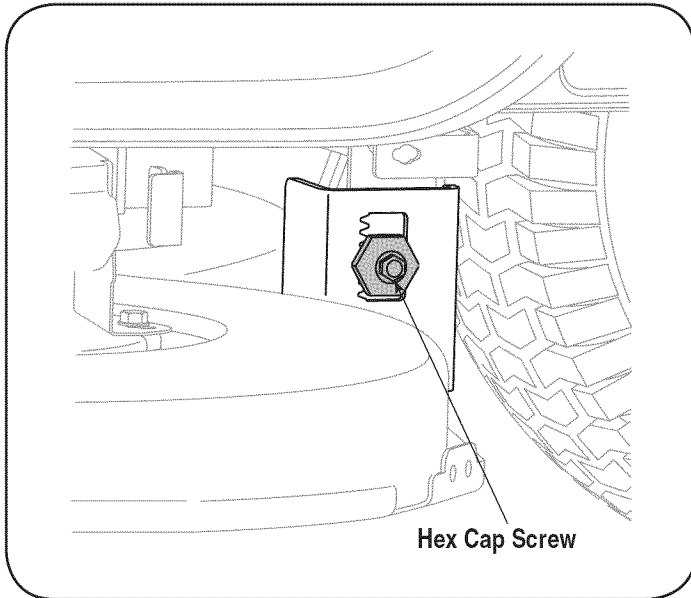


Figure 16

### Seat Adjustment

Refer to the Assembly section of this manual for seat adjustment instructions.

### Parking Brake Adjustment

#### ⚠ WARNING

Never attempt to adjust the brakes while the engine is running. Always disengage PTO (blade engage) lever, move shift lever into neutral position, stop engine and remove key to prevent unintended starting.

If the tractor does not come to a complete stop when the brake pedal is completely depressed, or if the tractor's rear wheels can roll with the parking brake applied, the brake is in need of adjustment. Contact the nearest Sears Service Center to have your brakes properly adjusted. To locate the nearest Parts & Repair Service Center or to schedule service, contact 1-800-4-MY-HOME®.

### CUTTING DECK REMOVAL

To remove the cutting deck, proceed as follows:

1. Place the PTO (Blade Engage) lever in the disengaged (OFF) position and engage the parking brake.
2. Lower the deck by moving the deck lift lever into the bottom notch on the right fender.
3. Remove the self-tapping screw (A) that secures the belt-keeper rod from around the tractor's PTO pulley, then remove the belt keeper rod (B). See Fig. 17.

**NOTE:** Make a mental note what hole the other end of the belt-keeper rod is inserted in for reinstallation purposes.

4. Remove the belt (C) from around the tractor's PTO pulley. See Fig. 17.

#### ⚠ WARNING

Avoid pinching injuries. Never place your fingers on the idler spring or between the belt and a pulley while removing the belt.

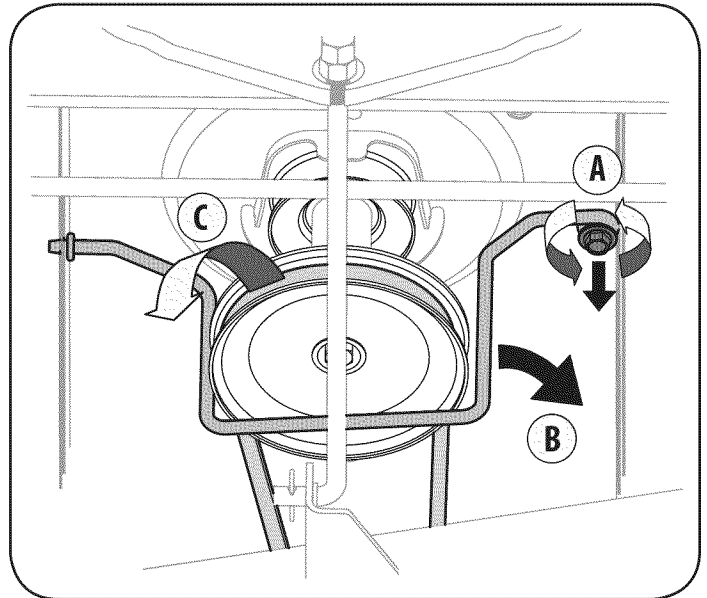


Figure 17

5. Looking at the cutting deck from the left side of the tractor, locate the bow-tie pin that secures the deck support rod on the rear left side of the deck. See Fig. 18. Remove the bow-tie pin that secures the deck support rod, and carefully remove the deck support from the deck lift arm.

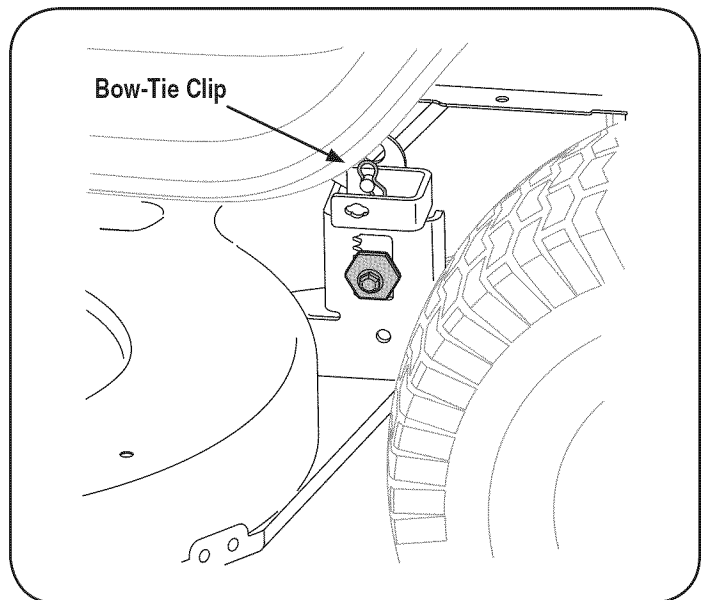


Figure 18

6. Repeat the above steps on the tractor's right side.

**NOTE:** The bow-tie clips should be re-installed from the top down.

7. Move the deck lift lever into the top notch on the right fender to raise the deck lift arms up and out of the way.

# SERVICE AND MAINTENANCE

8. Remove the bow-tie cotter pin securing the deck stabilizer rod to the deck. Slide the deck lift rod from the mounting bracket on the deck as seen in Fig. 19.

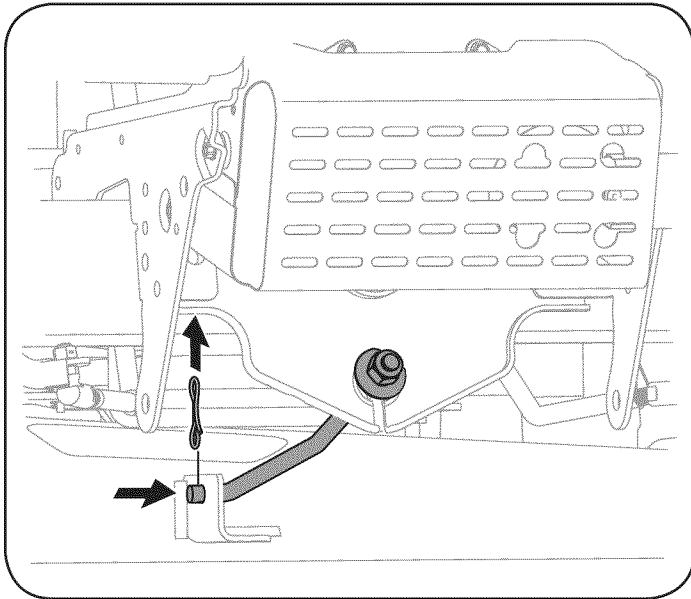


Figure 19

9. Carefully remove the PTO cable from the rear of the cutting deck by removing the bow-tie cotter pin which secures it. Remove the spring from the deck idler bracket. See Fig. 20.

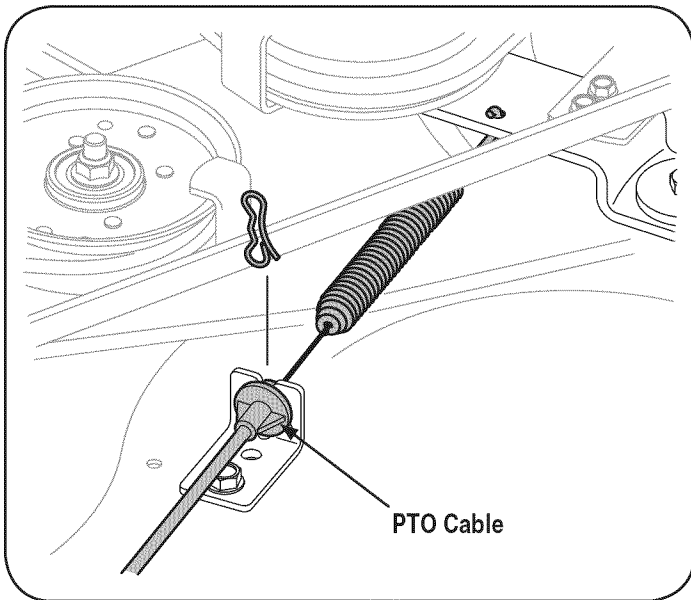


Figure 20

10. Gently slide the cutting deck (from the left side) out from underneath the tractor.

## TIRES

### ⚠ WARNING

Never exceed the maximum inflation pressure shown on the sidewall of tire.

### The recommended operating tire pressure is:

- Approximately 10 psi for the rear tires
- Approximately 14 psi for the front tires

**IMPORTANT:** Refer to the tire sidewall for exact tire manufacturer's recommended or maximum psi. Do not overinflate. Uneven tire pressure could cause the cutting deck to mow unevenly.

## BATTERY

California Proposition 65 WARNING! Battery posts, terminals, and related accessories contain lead and lead compounds, chemicals known to the State of California to cause cancer and reproductive harm. Wash hands after handling.

### ⚠ CAUTION

If removing the battery, disconnect the NEGATIVE (Black) wire from its terminal first, followed by the POSITIVE (Red) wire. When re-installing the battery, always connect the POSITIVE (Red) wire to its terminal first, followed by the NEGATIVE (Black) wire.

## JUMP STARTING

### ⚠ WARNING

Never jump start a damaged or frozen battery. Be certain the vehicles do not touch, and ignitions are off. Do not allow cable clamps to touch.

1. Connect positive (+) cable to positive post (+) of your tractor's discharged battery.
2. Connect the other end of the cable to the positive (+) post of the jumper battery.
3. Connect the second cable negative (-) to the negative post (-) of the jumper battery.
4. Connect the other end of the negative cable to the engine block of the tractor, away from the battery. Attach to an unpainted part to assure a good connection.

### ⚠ WARNING

If the jumper battery is installed on a vehicle (i.e. car, truck), do NOT start the vehicle's engine when jump starting your tractor.

5. Start the tractor (as instructed earlier in this section of this manual).
6. Set the tractor's parking brake before removing the jumper cables, in reverse order of connection.

## CHARGING

### ⚠ WARNING

Batteries give off an explosive gas while charging. Charge the battery in a well ventilated area and keep away from an open flame or pilot light as on a water heater, space heater, furnace, clothes dryer or other gas appliances.

### ⚠ CAUTION

When charging your tractor's battery, use only a charger designed for 12V lead-acid batteries. Read your battery charger's Owner's Manual prior to charging your tractor's battery. Always follow its instructions and heed its warnings.



# SERVICE AND MAINTENANCE

If your tractor has not been put into use for an extended period of time, charge the battery as follows:

1. Set your battery charger to deliver a max of 10 amperes. If your battery charger is automatic, charge the battery until the charger indicates that charging is complete. If the charger is not automatic, charge for no fewer than eight hours.

## FUSE

One 20 AMP fuse is installed in your tractor's wiring harness to protect the tractor's electrical system from damage caused by excessive amperage.

If the electrical system does not function, or your tractor's engine will not crank, first check to be certain that the fuse has not blown. It can be found at the rear of the unit, underneath the fender located by the battery.

### ⚠ WARNING

Always use a fuse with the same amperage capacity for replacement.

## CUTTING BLADES

### ⚠ WARNING

Shut the engine off and remove ignition key before removing the cutting blade(s) for sharpening or replacement. Protect your hands by using heavy gloves when grasping the blade.

### ⚠ WARNING

Periodically inspect the blade and/or spindle for cracks or damage, especially after you've struck a foreign object. Do not operate the machine until damaged components are replaced.

To remove the blades, proceed as follows.

1. Remove the deck from beneath the tractor, (refer to Cutting Deck Removal earlier in this section) then gently flip the deck over to expose its underside.
2. Place a block of wood between the center deck housing baffle and the cutting blade to act as a stabilizer. See Fig. 21.

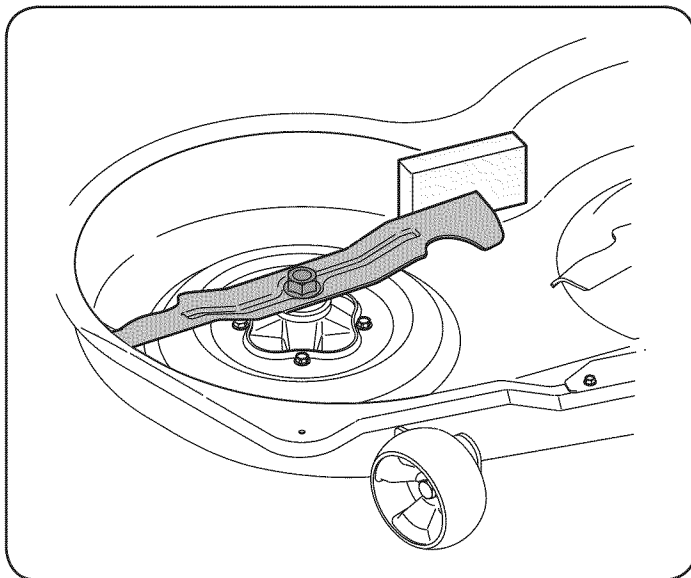


Figure 21

3. Remove the hex flange nut that secures the blade to the spindle assembly. See Fig. 21.
4. To properly sharpen the cutting blades, remove equal amounts of metal from both ends of the blades along the cutting edges, parallel to the trailing edge, at a 25°- to 30° angle. Always grind each cutting blade edge equally to maintain proper blade balance. See Fig. 22.

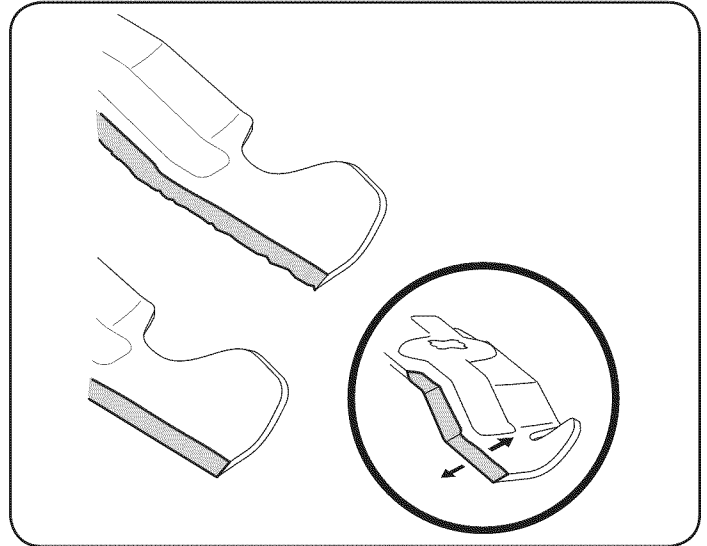


Figure 22

### ⚠ CAUTION

If the cutting edge of the blade has previously been sharpened, or if any metal separation is present, replace the blades with new ones.

### ⚠ WARNING

A poorly balanced blade will cause excessive vibration, may cause damage to the tractor and/or result in personal injury.

5. Test the blade's balance using a blade balancer. Grind metal from the heavy side until it balances evenly.

**NOTE:** When replacing the blade, be sure to install the blade with the side of the blade marked "Bottom" (or with a part number stamped in it) facing the ground when the mower is in the operating position.

### ⚠ CAUTION

Use a torque wrench to tighten the blade spindle hex flange nut to between 70 lbs-ft and 90 lbs-ft.

## CHANGING THE DECK BELT

### ⚠ WARNING

Be sure to shut the engine off, remove ignition key, disconnect the spark plug wire(s) and ground against the engine to prevent unintended starting before removing the belt.

### ⚠ CAUTION

All belts on your tractor are subject to wear and should be replaced if any signs of wear are present.

# SERVICE AND MAINTENANCE

**IMPORTANT:** The V-belt found on your tractor is specially designed to engage and disengage safely. A substitute (non-OEM) V-belt can be dangerous by not disengaging completely. For a proper working machine, use identical equipment belts as listed in the parts pages of this Operator's Manual.

To change or replace the deck belt on your tractor, proceed as follows:

1. Remove the deck as instructed earlier in this section.
2. Remove the belt covers from the spindle pulleys by removing the hex screws that fasten the covers to the deck. See Fig. 23.
3. It may also be necessary to loosen the hex nut on the left deck idler pulley to get the belt off the pulley and around the belt guard.
4. Carefully remove the deck belt from around the two spindle pulleys and the two deck idler pulleys. See Fig. 23.
5. To place the new belt, begin by routing the belt around the two outer spindle pulleys as shown in Fig. 23.
6. Then route the belt around the two deck idler pulleys as shown in Fig. 23.
7. Retighten the belt keeper rod loosened earlier.
8. Remount the belt guards removed earlier.
9. Re-install the deck, making sure the belt remains routed around the pulleys as instructed. The complete belt routing is shown in Fig. 23.
10. Pull the right side of the belt, and place the narrow V side of the belt into the PTO pulley.

11. While holding the belt and pulley together, rotate the pulley to the left. Continue holding and rotating the pulley and belt until the belt is fully rolled into the PTO pulley.

## PARKING BRAKE ADJUSTMENT

### ⚠ WARNING

Never attempt to adjust the brakes while the engine is running. Always disengage PTO (Blade Engage Lever), move shift lever into neutral position, stop engine and remove key to prevent unintended starting.

If the tractor does not come to a complete stop when the clutch-brake pedal is completely depressed, or if the tractor's rear wheels can roll with the parking brake applied, the brake is in need of adjustment. Contact the nearest **Parts & Repair Service Center** to have your brakes serviced.

To locate the nearest **Parts & Repair Service Center** or to schedule service, contact 1-800-4-MY-HOME®.

## CHANGING THE TRANSMISSION DRIVE BELT

**NOTE:** Several components must be removed and special tools (i.e. air/impact wrench) in order to change the tractor's drive belt. Contact the nearest **Parts & Repair Service Center** to have your transmission drive belt serviced.

To locate the nearest **Parts & Repair Service Center** or to schedule service, contact 1-800-4-MY-HOME®.

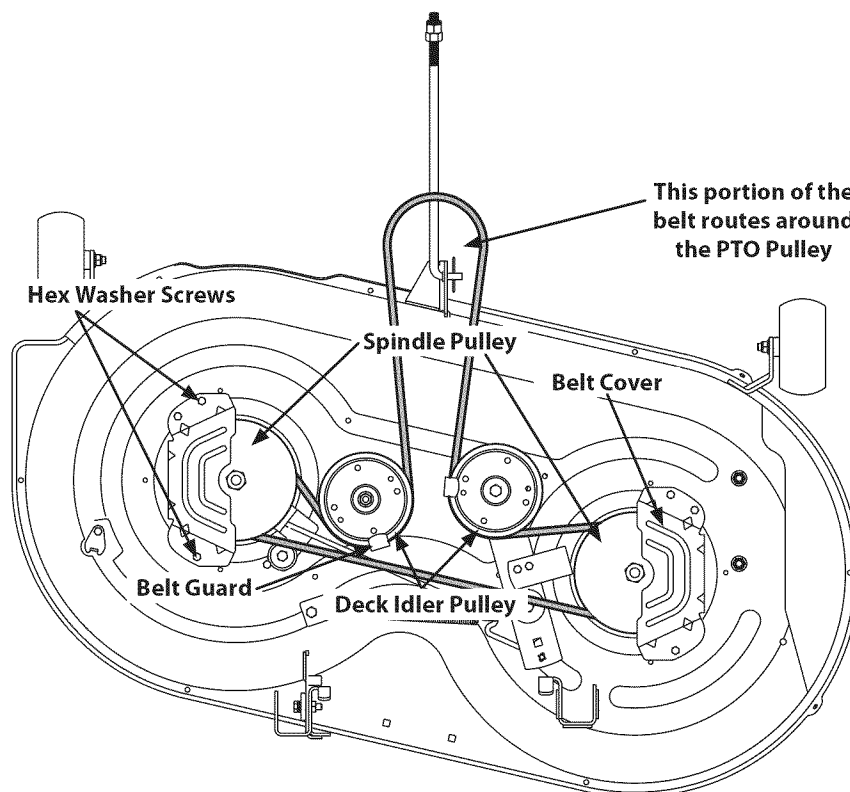


Figure 23

# OFF-SEASON STORAGE

## WARNING

Never store lawn tractor with fuel in tank indoors or in poorly ventilated areas where fuel fumes may reach an open flame, spark, or pilot light as on a furnace, water heater, clothes dryer, or gas appliance.

## PREPARING THE ENGINE

**IMPORTANT:** Fuel left in the fuel tank during warm weather deteriorates and will cause serious starting problems.

To prevent gum deposits from forming inside the engine's carburetor and causing possible malfunction of the engine, the fuel system must be either completely emptied, or the gasoline must be treated with a stabilizer to prevent deterioration.

1. If using a fuel stabilizer:
  - a. Read the product manufacturer's instructions and recommendations.
  - b. Add to clean, fresh gasoline the correct amount of stabilizer for the capacity of the fuel system.
  - c. Fill the fuel tank with treated fuel and run the engine for 2-3 minutes to get stabilized fuel into the carburetor.
2. If emptying the fuel system:
  - a. Do not drain fuel when the engine is hot. Allow the engine adequate time to cool. Drain fuel into an approved container outdoors, away from open flame.
  - b. Drain any large volume of fuel from the tank by disconnecting the fuel line from the in-line fuel filter near the engine. See the complete instructions for Draining The Fuel later in this section.

## WARNING

Gasoline is extremely flammable and can be explosive under certain conditions. Drain gasoline before storing the equipment for extended periods. Drain fuel only into an approved container outdoors, away from an open flame. Allow engine to cool. Extinguish cigarettes, cigars, pipes, and other sources of ignition prior to draining fuel. Store gasoline in an approved container in safe location.

- c. Reconnect the fuel line and run the engine until it starts to falter, then use the choke to keep the engine running until all fuel in the carburetor has been exhausted.
- d. Disconnect the fuel line and drain any remaining gasoline from the system.

## WARNING

Gasoline is a toxic substance. Dispose of gasoline properly. Contact your local authorities for approved disposal methods.

3. Remove the spark plug and pour one (1) ounce of engine oil through the spark plug hole into the cylinder. Crank the engine several times to distribute the oil. Replace the spark plug.

## DRAINING THE FUEL

1. Locate the fuel filter, which is located on the left side of the engine, and may be attached to the engine with a tie strap.
2. Cut the tie strap, if present, then pinch the in-line clamp on the fuel filter with a pair of pliers, slide the clamp up the fuel line.
3. Pull the fuel line free from the filter and place the open end of the line into an approved container to drain the fuel.

## PREPARING THE LAWN TRACTOR

1. Clean and lubricate tractor thoroughly as described in the lubrication instructions.
2. Do not use a pressure washer or garden hose to clean your unit.
3. Store mower in a dry, clean area. Do not store next to corrosive materials, such as fertilizer.

# TROUBLESHOOTING

Problem	Cause	Remedy
Engine fails to start	<ol style="list-style-type: none"> <li>1. PTO/Blade Engage lever engaged.</li> <li>2. Parking brake not engaged.</li> <li>3. Spark plug wire(s) disconnected.</li> <li>4. Throttle/Choke control lever not in correct starting position.</li> <li>5. Choke not activated</li> <li>6. Fuel tank empty, or stale fuel.</li> <li>7. Blocked fuel line.</li> <li>8. Faulty spark plug(s).</li> <li>9. Engine flooded.</li> <li>10. Blown Fuse(s)</li> </ol>	<ol style="list-style-type: none"> <li>1. Place lever in disengaged (OFF) position.</li> <li>2. Engage parking brake.</li> <li>3. Connect wire(s) to spark plug(s).</li> <li>4. Place Throttle/Choke lever into the FAST position.</li> <li>5. Move the Throttle/Choke lever into the Choke position.</li> <li>6. Fill tank with clean, fresh (less than 30 days old) gas.</li> <li>7. Replace the fuel line and replace fuel filter.</li> <li>8. Clean, adjust gap or replace plug(s).</li> <li>9. Crank engine with throttle in FAST position.</li> <li>10. Replace Fuse(s)</li> </ol>
Engine runs erratically	<ol style="list-style-type: none"> <li>1. Unit running with CHOKE activated.</li> <li>2. Spark plug wire(s) loose.</li> <li>3. Blocked fuel line or stale fuel.</li> <li>4. Vent in gas cap plugged.</li> <li>5. Water or dirt in fuel system.</li> <li>6. Dirty air cleaner.</li> </ol>	<ol style="list-style-type: none"> <li>1. Deactivate the CHOKE.</li> <li>2. Connect spark plug wire(s).</li> <li>3. Replace the fuel line; fill tank with clean, fresh gasoline and replace fuel filter.</li> <li>4. Clear vent or replace cap if damaged.</li> <li>5. Drain fuel tank. Refill with clean, fresh gasoline.</li> <li>6. Replace air cleaner paper element or clean foam pre-cleaner, if equipped.</li> </ol>
Engine overheats	<ol style="list-style-type: none"> <li>1. Engine oil level low.</li> <li>2. Air flow restricted.</li> </ol>	<ol style="list-style-type: none"> <li>1. Fill crankcase with proper amount and weight of oil.</li> <li>2. Clean grass clippings and debris from around the engine's cooling fins and housing.</li> </ol>
Engine hesitates at high RPM	<ol style="list-style-type: none"> <li>1. Spark plug gap too close.</li> </ol>	<ol style="list-style-type: none"> <li>1. Remove spark plug and reset the gap.</li> </ol>
Engine idles rough	<ol style="list-style-type: none"> <li>1. Spark plug fouled, faulty or gap too wide.</li> <li>2. Dirty air cleaner.</li> </ol>	<ol style="list-style-type: none"> <li>1. Replace spark plug. Set plug gap.</li> <li>2. Replace air cleaner element and/or clean pre-cleaner.</li> </ol>
Excessive vibration	<ol style="list-style-type: none"> <li>1. Cutting blade loose or unbalanced.</li> <li>2. Damaged or bent cutting blade.</li> </ol>	<ol style="list-style-type: none"> <li>1. Tighten blade and spindle.</li> <li>2. Replace blade.</li> </ol>
Mower will not mulch grass	<ol style="list-style-type: none"> <li>1. Engine speed too low.</li> <li>2. Wet grass.</li> <li>3. Excessively high grass.</li> <li>4. Dull blade.</li> </ol>	<ol style="list-style-type: none"> <li>1. Place throttle in FAST (rabbit) position.</li> <li>2. Do not mulch when grass is wet.</li> <li>3. Mow once at a high cutting height, then mow again at desired height or make a narrower cutting swath.</li> <li>4. Sharpen or replace blade.</li> </ol>
Uneven cut	<ol style="list-style-type: none"> <li>1. Deck not leveled properly.</li> <li>2. Dull blade.</li> <li>3. Uneven tire pressure.</li> </ol>	<ol style="list-style-type: none"> <li>1. Perform side-to-side deck adjustment.</li> <li>2. Sharpen or replace blade.</li> <li>3. Check tire pressure in all four tires.</li> </ol>

## NEED MORE HELP?

You'll find the answer and more on [managemylife.com](http://managemylife.com) -- for free!

- Find this and all your other product manuals online.
- Get answers from our team of home experts.
- Get a personalized maintenance plan for your home.
- Find information and tools to help with home projects.

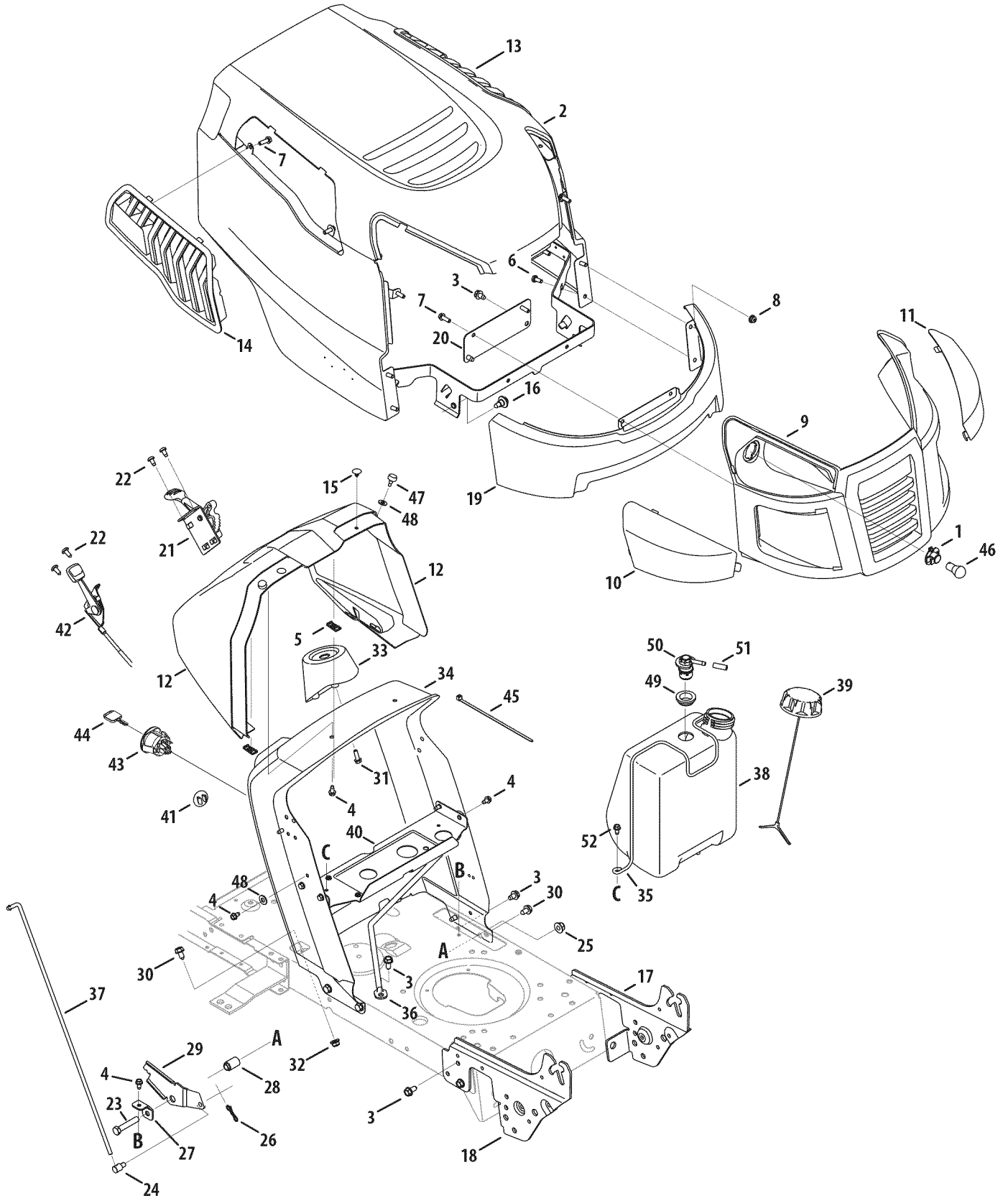


brought to you by Sears



# PARTS LIST

Craftsman Model 247.288841



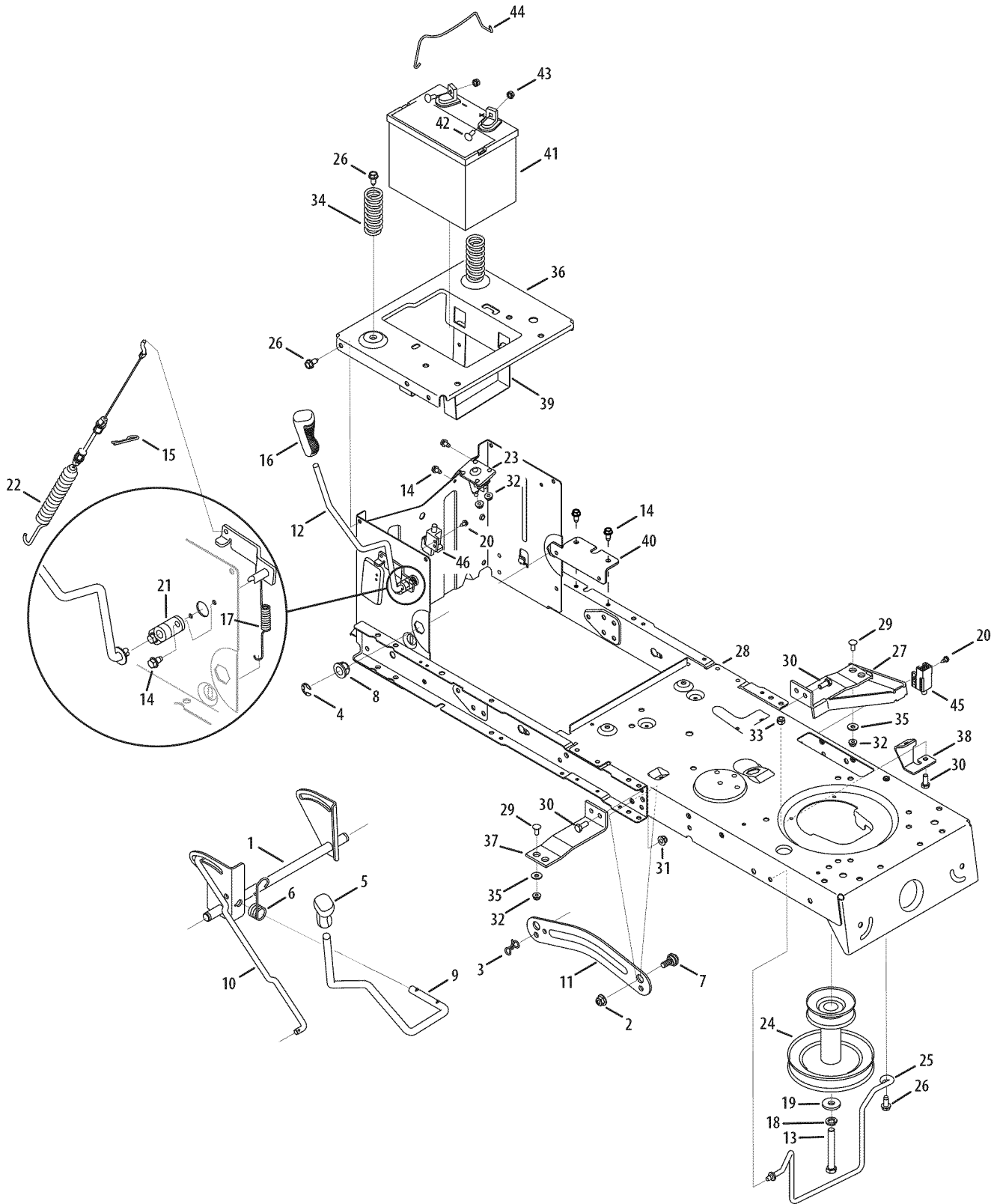
# PARTS LIST

## Craftsman Model 247.288841

Ref. No.	Part No.	Description	Ref. No.	Part No.	Description
1	925-1649	Bulb Socket	27	783-06823	Speed Latch Support Tab
2	683-04619-4044	Hood Assembly	28	750-04465B	Flange Spacer
3	710-04484	Screw, 5/16-18 x .750	29	783-04903A	Speed latch
4	710-0599	Hex Washer Screw, 1/4-20 x .500	30	710-0604A	Self-Tap Screw, 5/16-18
5	712-0292	Tin Clip Nut, 1/4-20	31	710-05108	Hex Screw, 1/4 x .750
6	710-0751	Hex Screw, 1/4-20 x .620	32	712-04063	Nut, Hex Flange Lock, 5/16-18
7	710-05108	Screw, 1/4 x .750	33	731-04945	Steering Support
8	712-04064	Nut, Hex Flange Insert Lock, 1/4-20	34	783-04873B-0637	Dash
9	931-07668	Grill	35	747-05371	Fuel Tank Support Rod
10	731-07458	Headlight Lens, RH	36	747-05326	Dash support Rod
11	731-07459	Headlight Lens, LH	37	747-04430	Speed Selector Control Rod
12	731-07460	Dash Collar	38	951-04304	1.36 Gallon Fuel Tank
13	731-07711	Hood Scoop, LH	39	951-12179	Fuel Cap
14	731-07712	Hood Scoop, RH	40	783-04584B-0637	Gas Tank Support Bracket
15	735-0271A	Bumper	41	731-05265	Choke Plug
16	738-04091A	Shoulder Screw, 5/16-18	42	746-04364	Throttle/Choke Assembly
17	783-05327B-0637	Left Support Pivot Bracket	43	925-04659	Key Switch Module
18	783-05328A-0637	Right Support Pivot Bracket	44	625-04124	Key (2 pack)
19	783-06598-4043	Lower Grill	45	725-0157	Cable Tie
20	783-06610-0637	Lower Grill Bracket	46	925-0963	Headlight Bulb
21	983-04503	Speed Selector, 7-Speed	47	726-04072A	Ratchet Clip: .250 x .500
22	710-05070	Self-Tap Screw, 1/4-20	48	936-0463	Flat Washer, .25 x .630 x .0515
23	710-3144	Hex Head Screw, 3/8-16	49	735-04081	Rubber Grommet
24	711-0736	Ferrule, 1/4-20 x 1.00	50	751-12118	Fuel Rollover Valve
25	712-04065	Nut, Hex Flange Insert Lock, 3/8-16	51	751-12089-28	Vent Hose
26	714-04040	Cotter Pin	52	710-1652	Hex Washer Screw, 1/4-20 x .625

# PARTS LIST

Craftsman Model 247.288841





# PARTS LIST

## Craftsman Model 247.288841

Ref. No.	Part No.	Description	Ref. No.	Part No.	Description
1	683-04155A-0637	Shaft, Lift	24	756-04196A	Engagement Pulley
2	712-04065	Nut, Hex Flange Insert Lock, 3/8-16	25	747-04857	Belt Keeper Rod Assembly
3	714-04040	Bow-Tie Pin, 91, RH	26	710-04484	Screw, Hd. Tapp, 5/16-18 x .75
4	716-0106A	E-ring, .625 Shaft	27	683-04195-0637	Support Bracket Assembly
5	720-0311	Grip, Handle	28	683-04601-0637	Rider Frame Assembly
6	732-04225	Spring, Lift Handle Torsion	29	710-0134	Carriage Screw, 1/4-20 x .62
7	738-04130	Bolt, Shoulder, .625 x .175:3/8-16	30	710-3008	Screw, Hx. Hd., 5/16-18 x .75
8	941-0225	Bearing, Hex Flange,	31	712-04063	Nut, Hex Flange Insert Lock, 5/16-18
9	747-05296	Handle, Lift	32	712-04064	Nut, Hex Flange Insert Lock, 1/4-20
10	747-04393	Lift Rod, 13.68	33	912-0429	Hexlock Nut, 5/16-18
11	783-04494C-0637	Arm, Deck Lift RH	34	732-04035	Spring, Compress., 1.28 x 3.125
	783-04711C-0637	Arm, Deck Lift LH	35	736-0173	Flat Washer, .28 x .74 x .063
12	647-04096-0637	PTO Handle Assembly	36	783-04548C-0637	Seat Bracket Frame
13	710-04608	Screw, Hx. Hd., 7/16-20 x 3.25	37	783-04637-0637	Running Board Bracket
14	710-0599	Screw, Hd. Tapp, 1/4-20 x .5	38	783-04753-0637	Frame Support Bracket
15	714-04040	Click Pin	39	783-04869A-0637	Battery Bracket
16	720-04049A	Handle Grip	40	783-05389A-0637	Frame Brace Bracket
17	732-04276A	PTO Spring, Extension	41	725-05090	Die Hard Battery
18	936-0171	Washer, Flat, 7/16	42	738-1132	Screw, Shoulder, .250 x .150
19	736-0322	Washer, Flat, .450 x .250 x .164	43	712-0271	Nut, Sems, 1/4-20
20	738-04237A	Shoulder Screw, #10-32 x .500	44	683-04448-0637	Battery Rod
21	741-04119A	PTO Bearing	45	925-04039	Screw Mount Interlock Switch
22	946-04173C	Deck Engagement Cable	46	725-04363	Interlock Switch
23	725-04439	12v. Solenoid			



# PARTS LIST

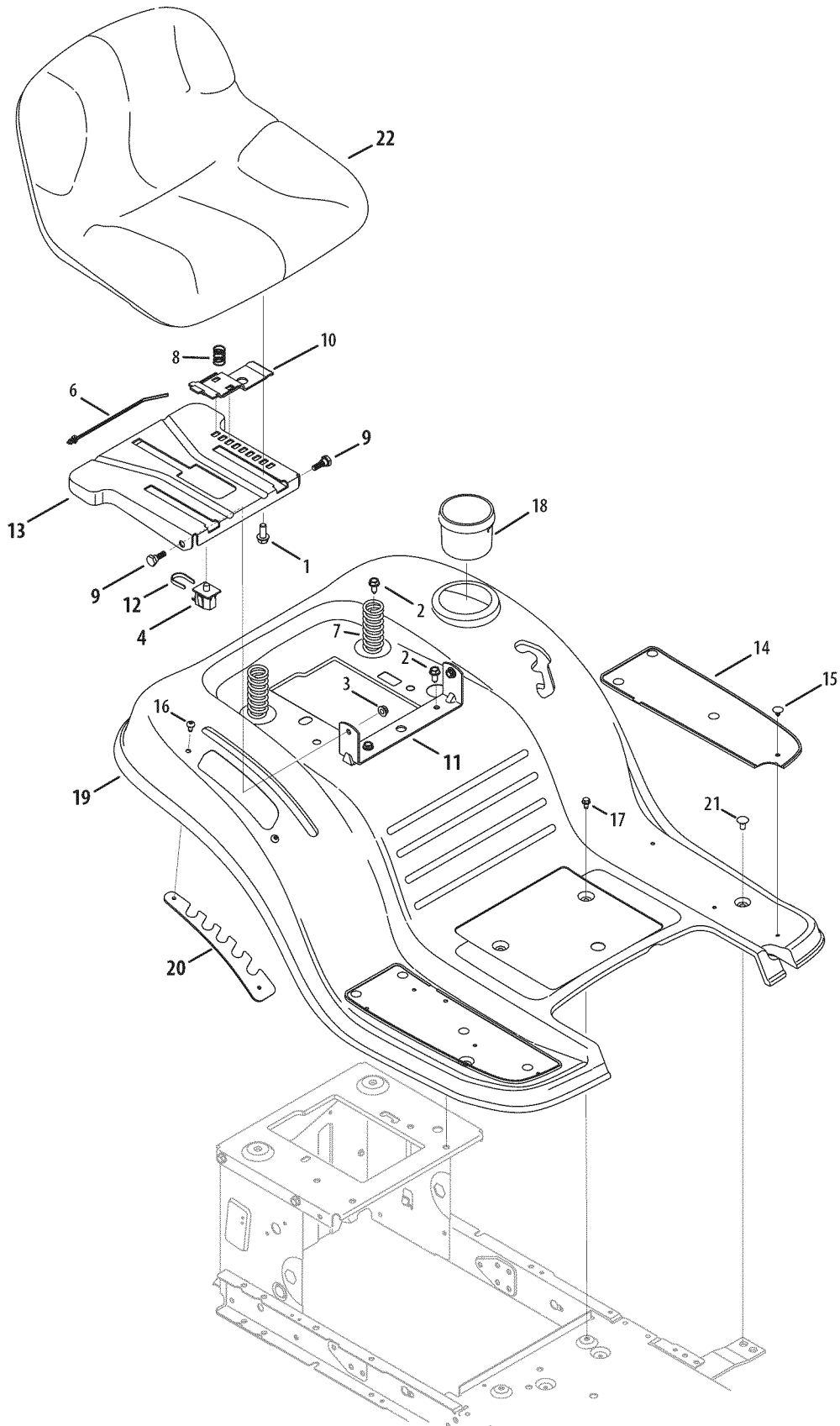
## Craftsman Model 247.288841

Ref. No.	Part No.	Description
1	617-04094	Gear Assembly, Steering
2	710-0643	Screw, 5/16-18, 1.00, Gr5, Lock
3	710-1309	Screw, Mach, 5/16-18, 0.750
4	710-3094A	Hex Head Screw, 3/8-16 x 1.00
5	710-3180	Screw, 5/16-18, 1.75, Gr5
6	912-0214	Nut, Jam Lock, 3/8-24
7	912-0240	Nut, Jam, 7/16-20, Gr2
8	712-04063	Nut, Flange Lock, 5/16-18, Grf
9	712-04065	Nut, Flange Lock, 3/8-16, Grf
10	923-0448A	Ball Joint, 7/16-20, Lock
11	736-0242	Washer, Bell, .340 x .872 x .060
12	931-0484A	Hub Cap
13	738-04141	Shoulder Screw, 5/16-18
14	738-04162A	Shoulder Spacer, .8840 x .190
15	738-0919A	Steering Shaft, 5/8 Spline x 21.86
16	941-04124	Bearing, Flange, Hex 5/8
17	747-05385	Drag Link, Steering
18	948-0389	Cap, 1.25 x .16
19	748-04065-0637	Steering, Block
20	748-04068	Spacer, .710 ID x .125 OD x .56

Ref. No.	Part No.	Description
21	683-0128B-0637	Pivot Bar Axle Assembly
22	710-04484	Screw, 5/16-18, 0.750
23	712-04065	Nut, Flange Lock, 3/8-16, GrF
24	714-04039A	Pin, Cotter, 5/32, 1.25
25	914-0474	Pin, Cotter, 1/8 x 0.75
26	736-0341	Push Cap, 3/4
27	731-04057A	Axle Cap
28	736-04228A	Washer, Flat, .781 x 1.59
29	738-04128	Screw, Shlder, .500 x 2.380, 3/8-16
30	741-0660A	Flange Bearing
31	747-04299A	Tie Rod
32	783-05326B-0637	Pivot Bar Bracket
33	938-04007A-0637	Axle Assembly LH
34	638-04008P	Axle Assembly RH
35	631-04028	Steering Wheel, Standard Grip
36	731-06825	Cap, Steering Wheel (Crafts. logo)
37	634-04086-0961	Wheel Assembly
38	934-04081-4042	Rim
39	734-1731-0901	Tire, 15 x 6 x 6 Sq. Shoulder
40	934-0255	Valve Stem

# PARTS LIST

Craftsman Model 247.288841



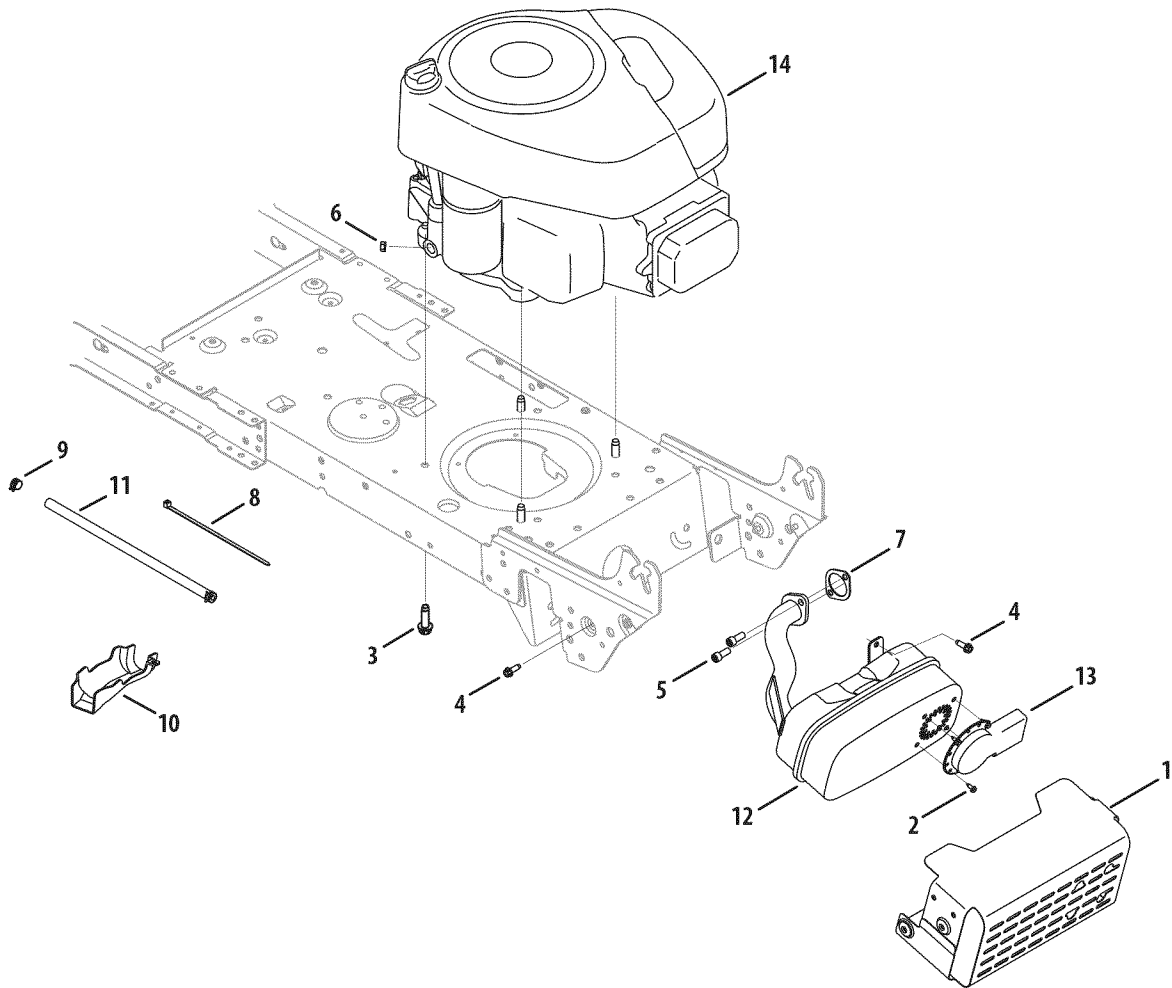
# PARTS LIST

Craftsman Model 247.288841

Ref. No.	Part No.	Description
1	710-04482	Hex Flange Bolt, 3/8-16 x .875
2	710-04484	Screw, Hd. Tapp, 5/16-18 x .75
3	712-3004A	Flange Lock Nut, 5/16-18
4	925-05013	Seat Safety Switch
5	725-05277	Seat Jumper Harness <i>(not shown)</i>
6	926-0154	Push Mount Cable Tie
7	732-04035	Spring, Compress., 1.28 x 3.125
8	732-04563	Spring, Compress., .68 x 1.065 x .055
9	938-0296	Shoulder Screw, 5/16-18 x .437 x .268
10	783-06050	Seat Adjustment Lever
11	783-06088-0637	Seat Pivot Bracket
12	783-06448	Switch Retainer Clip
13	783-06840	Seat Mounting Bracket
14	735-04047	Rubber Foot Pad, LH
	735-04048	Rubber Foot Pad, RH
15	726-3046	Ratchet Clip, .250
16	710-05070	Tap Screw, 1/4-20 x .5
17	710-0599	Screw Pan Torx Head, 1/4-20 x .500
18	731-04591A	Cup Holder
19	783-04587D-4043	Fender
20	783-04843-0637	Lift Adjuster Bracket
21	710-0134	Carriage Screw, 1/4-20 x .62
22	757-04144	Seat

# PARTS LIST

Craftsman Model 247.288841



# PARTS LIST

Craftsman Model 247.288841

Ref.	Part No.	Description
1	683-04549-0637	Muffler Shield Assembly
2	710-0227	Screw, AB #8-18 0.500
3	710-04683	Tap Screw, 3/8-16 1.000
4	710-0642	Tap Screw, 1/4-20 0.750
5	710-1314A	Screw, Socket Head, 5/16-18 x .750
6	712-0271	Sems Nut, 1/4-20
7	BS-692236	Exhaust Gasket
8	725-0157	Cable Tie, 3/16 X .05 X 7.4
9	726-0205	Hose Clamp, .490 Dia.
10	731-05628	Oil Drain Sleeve
11	751-10349	Low Permeation Fuel Hose, 1/4
12	751-10448B	Briggs Single Muffler
13	751-10353	Long Muffler Deflector
14	31P677-3373-G2/G6	Engine





# PARTS LIST

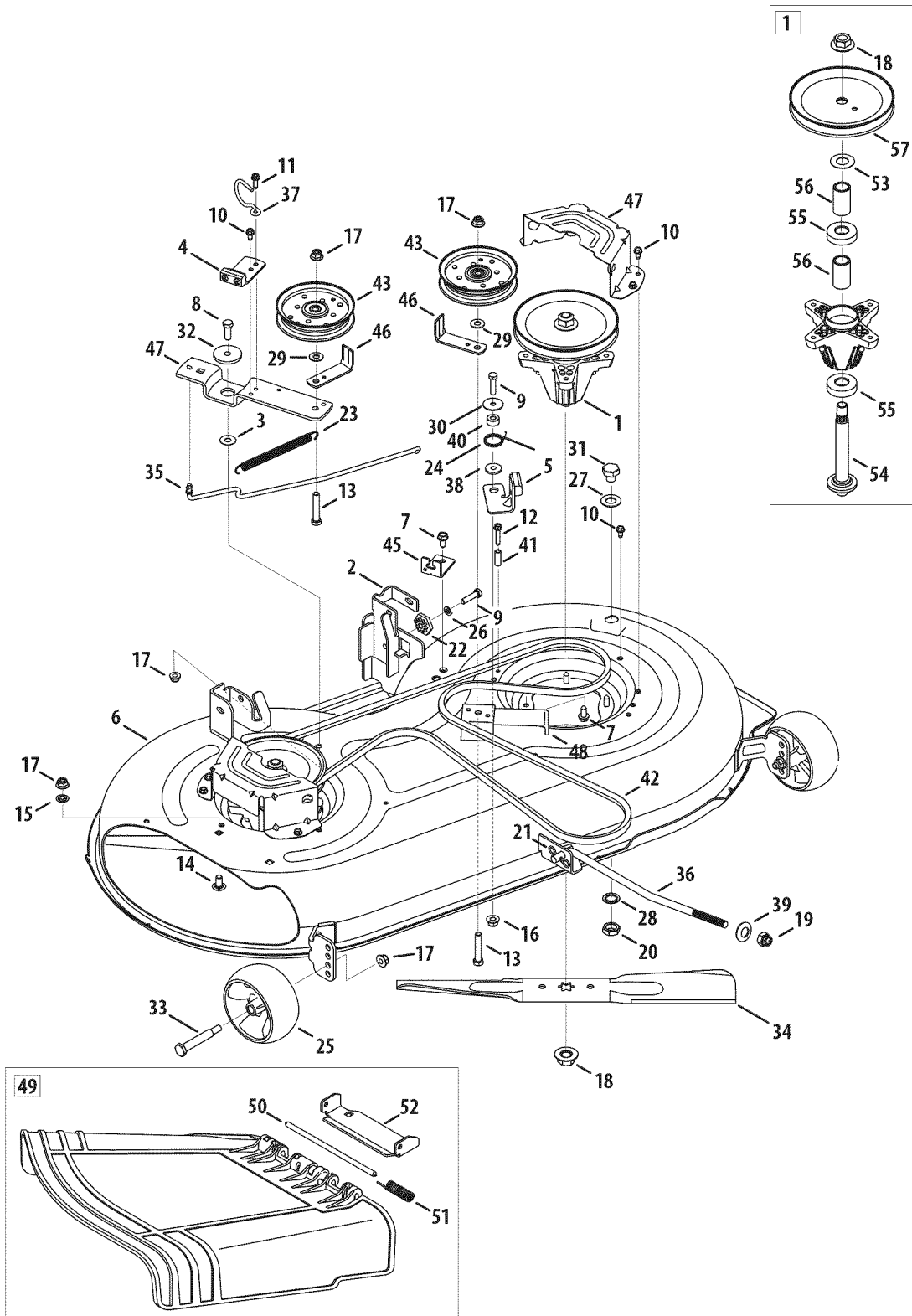
## Craftsman Model 247.288841

Ref.	Part No.	Description
1	918-04566	Dr Assembly, Autodrive Lt-5
2	683-04606	Auto-drive Bracket Assembly
3	753-06662	Idler Bracket Assembly
4	710-1260A	Tap Screw, 5/16-18 x 0.750
5	712-04065	Flange Lock Nut, 3/8-16
6	738-0322A	Shoulder Screw, .625 x .217
7	956-04015A	Pulley Assembly, Var. Spd. 4.75 Od
8	683-04522	Belt Keeper Assembly
9	683-04612-0637	Variable Bracket Assembly
10	710-0627	Hex Screw 5/16-24 .750
11	710-0778	Tap Screw, 1/4-20 1.500
12	718-04261	Bearing Cup
13	736-0362	Wash, Flat .330 X 1.25 X .06
14	941-0600	Ball Bearing, 17 x 40 x 12.6203
15	647-04035	Lvr Assembly, Shft
16	647-04201-0637	Ped Assembly, Drive, Autodrive
17	647-04203A-0637	Ped Assembly, Cont, Autodrive
18	683-04607	Bracket Assembly, Pedal, Autodrive
19	710-0227	Screw, Ab, #8-18, 0.500
20	710-04484	Screw, Tt, 5/16-18, .750
21	710-0604A	Screw, Tt, 5/16-18, 0.625
22	710-0809	Screw, Tt, 1/4-20, 1.250
23	710-0859	Hex Hd. Screw, 3/8-16, 2.50
24	710-1007	Screw, Ttsems, 3/8-16, 1.500
25	710-1266	Hex Hd. Screw, 5/16-18, 3.50
26	710-1325	Screw, Tt, 1/4-20, 1.625,
27	710-1858A	Screw, Tt, 3/8-16 x 1.75
28	710-3008	Hex Hd. Screw, 5/16-18, .75
29	912-0240	Nut, Jam, 7/16-20
30	712-0241	Nut, Hex, 3/8-24
31	712-04063	Nut, Flange Lock Nut, 5/16-18
32	912-0431	Nut, Flange Lock Nut, 3/8-16
33	712-0700	Nut, Flg, 9/16-18
34	914-0111	Pin, Cot, 3/32, 1.0
35	914-0209	Pin, Cotter Int- .125 Dia
36	714-04040	Pin, Cot, Bow-Tie 72
37	718-04407	Hub, Pulley, 5/8 Spline
38	720-04028	Knob, Shft
39	923-3018	Ball, Joint
40	725-0157	Cable, Tie, 3/16 X .05 X 7.4
41	725-1644	Switch, Spring, Short
42	726-0214	Cap, Push 5/8
43	926-0320	Plate, Insulator Nut
44	731-04602	Sleeve, .758 X .821 X 3.3125

Ref.	Part No.	Description
45	731-04604	Sleeve, .758 X .821 X 2.4375
46	731-06330	Plug, Deck Hole, 7/8
47	731-06894	Shift Plate Bearing
48	732-04488	Spring, Ext, .38 Od X 3.25 Lg
49	732-04612	Spring, Extn, .70 Dia X 12.00 Lg
50	732-04616B	Spring, Extn, .97 Od X 6.18 Lg
51	732-04764	Spring, Extn, .56 X 12.05 x .068
52	732-0716D	Spring, Extn, .59 Od X 4.00 Lg
53	735-0239	Pad, Foot, 4.0 Long
54	735-0662	Pad, Cont
55	936-0169	Wash, Lock, 3/8, Regular Duty
56	936-0185	Wash, Flat, .375 X .738 X .063
57	738-0372B	Spacer, Shoulder, 1.00 X .38 X .38
58	738-04091A	Screw, Shoulder, .43x.29, Tt, 5/16-18
59	741-0495	Bearing, Flg, .630 Idx .695 Od X .60
60	741-3065B	Bearing, Hex Flg, .628 Id, Split
61	747-05188	Rod, Brake, Lt-5 Trans
62	747-05243	Rod, Shift, Lt-5 Stretch 46"
63	747-05251A	Rod, Adj, Idlr, 3/8
64	747-05415	Rod, Trans, Footpedal Bypass
65	948-0334	Spacer, T-Axle .68
66	750-04456	Spacer, .260 X .372 X 1.420 Lg
67	750-0566A	Spacer, .260 X .375 X 1.030 Lg
68	954-04208	Belt, V Typ, 5l X 40.9 Lg Poly
69	954-0467A	Belt, V Typ, 5l, 90.80, Poly
70	956-04002	Pulley, Idlr, Flat 7.25 Od
71	756-04224	Pulley, Idlr, Flat 2.75 Od
72	756-04325	Pulley, Idlr, V-Type X 3.06
73	783-04536B-0637	Bracket, Ped, Support Lt-5
74	783-04595A	Bracket, Shft, Adj
75	783-06278	Plt, Bracket, Reinforcement
76	783-06562-0637	Bracket, Ped, Frame Rh
77	783-06592A	Bracket, Idlr, Dbl Autodrive
78	783-06641	Bracket, Supt, Pedal Stap
79	783-06769	Bracket, Idlr, Center Dbl
80	783-06807	Pedal Stop Plate
81	725-04363	Interlock Switch
82	17962	Switch Plate
83	634-0104-0961	Wheel Assembly, 20 x 8 x 8 Sq. Sh.
84	934-0255	Valve Stem
85	634-04369-4042	Rim Assembly
86	734-1730-0901	Tire, 20 x 8 x 8 Sq. Sh.
87	736-0242	Bell Washer, .340 x .872 x .060
—	925-04082	Wiring Harness (Not Shown)

# PARTS LIST

Craftsman Model 247.288841



# PARTS LIST

## Craftsman Model 247.288841

Ref. No.	Part No.	Description	Ref. No.	Part No.	Description
1	918-04822A	Spindle Pulley Assembly	30	736-0362	Flat Washer, .330 x 1.25 x .06
2	683-0254B-0637	Deck Hanger Bracket Assembly	31	738-04146	Bolt Plug, M16 x 1.5
3	936-0344	Wash, Flat, .385 x 1.0 x .030	32	738-04162A	Shoulder Spacer, .8840 x .190
4	983-04511	Brake Assembly	33	938-3056	Shoulder Bolt, 3/8-16
5	983-04525	Brake Assembly	34	942-04308	Cutting Blade, 21.23": 2 in 1
6	983-04572-0637	Deck	35	747-05105	Brake Control Rod
7	710-04484	Screw, 5/16-18 x .750	36	747-05141A	Deck Lift Rod
8	710-0514	Screw, 3/8-16 x 1.00	37	747-05323	Belt Keeper Rod
9	710-0528	Hex Screw, 5/16-18 x 1.25	38	748-0234	Shoulder Spacer
10	710-0599	Screw, 1/4-20 x .500	39	748-04069	Deck Lift Pivot Cup
11	710-0642	Screw, 1/4-20 x .750	40	750-0258	Spacer
12	710-0778	Screw, 1/4-20 x 1.50	41	750-0566A	Spacer
13	710-3144	Hex Head Screw, 3/8-16	42	954-04060B	V-Type Belt, 96.5
14	710-3178	Carriage Bolt, 3/8-16 x .75	43	756-04129B	Idler Pulley, 4.25 Diameter
15	712-0229	Push Nut, 3/8	44	783-05946	Idler Pivot Bracket
16	712-04063	Flangelock Nut, 5/16-18	45	783-06243-0637	Deck Cable Engagement Bracket
17	712-04065	Flangelock Nut, 3/8-16	46	783-06368A-0637	Belt Pulley Guard
18	712-0417A	Flange Nut, 5/8-18	47	783-06424A-0637	Deck Belt Cover
19	712-04243	Flangelock Nut, 1/2-13	48	783-06643-0637	Deck Support Bracket
20	912-0641	Hex Nut, M16 - 1.5	49	631-04288	Chute Deflector Assembly
21	714-04043	Cotter Pin, Bow-Tie	50	711-04847B	Hinge Pin
22	917-04074	Deck Adjuster Gear	51	732-04372	Torsion Spring, .44 x 2.0
23	932-0384	Extension Spring, .62 x 6.12	52	783-06074A	Chute Bracket
24	732-04727	Torsion Spring, 1.0 x 1.17	53	936-0351	Flat Washer, .760 x 1.50
25	734-04155	Deck Wheel, 5" Dia. Ball	54	738-1186A	Spindle Shaft
26	936-0119	Lock Washer, 5/16	55	941-0919	Ball Bearing, .787 x 1.85 x .551
27	736-0187	Flat Washer, .64 x 1.24 x .06	56	750-04936	Spacer, .792 x 1.060 x 1.860
28	736-0225	Flat Washer, .5/8 Int. Tth.	57	956-1227	Deck Pulley, 6.3 dia.
29	736-0262	Flat Washer, .385 x .870 x .092			

# PARTS LIST

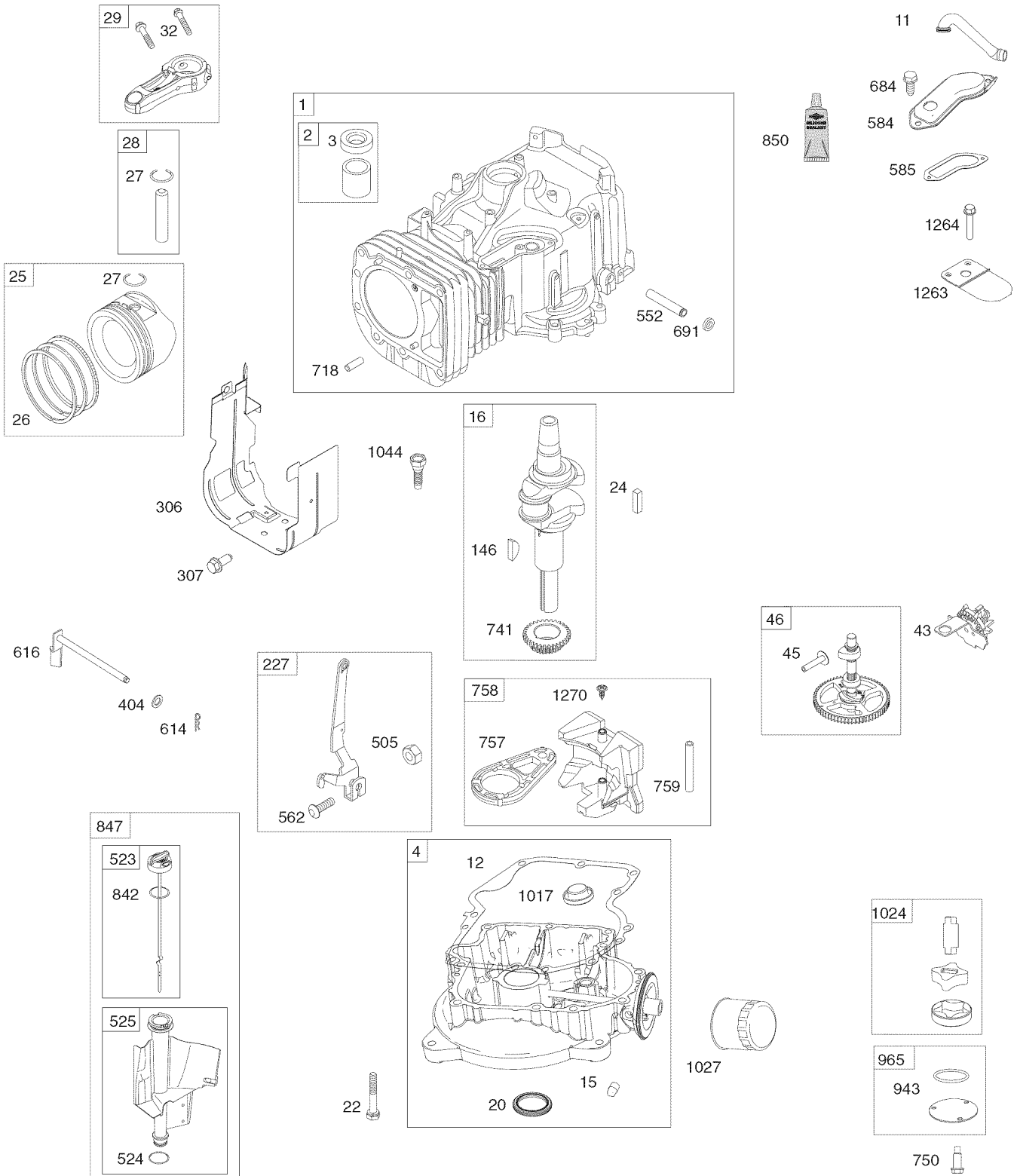
Craftsman Engine Model 31P677-3373-G2/G6 For Model 247.288841

48 SHORT BLOCK

1058 OPERATOR'S MANUAL

1329 REPLACEMENT ENGINE

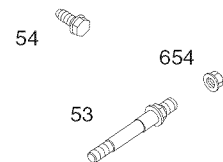
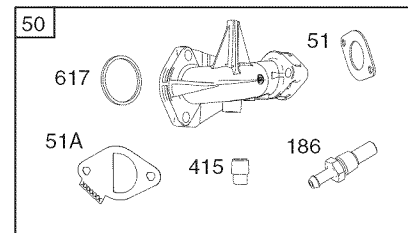
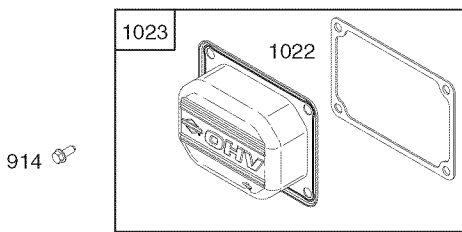
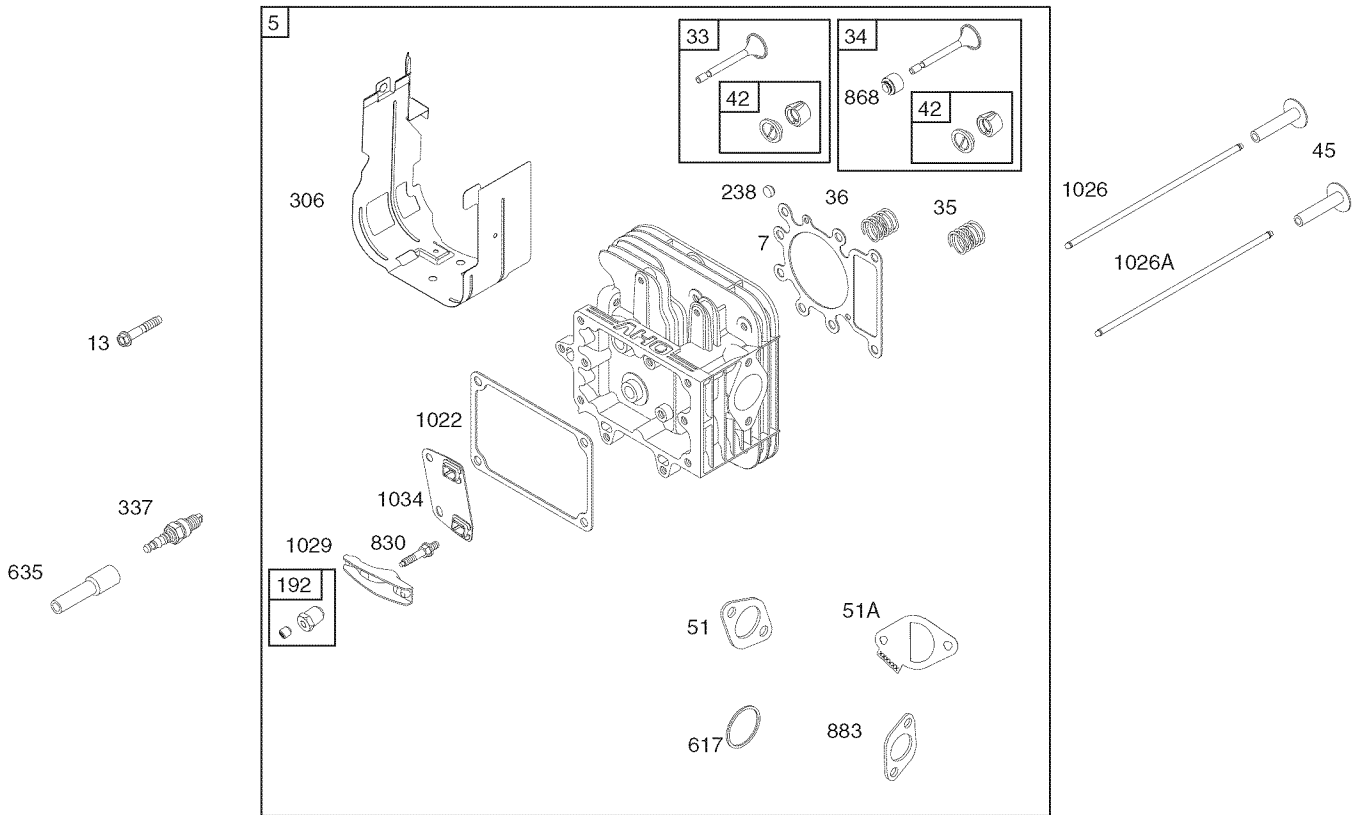
1330 REPAIR MANUAL



Assemblies include all parts shown in frames.

# PARTS LIST

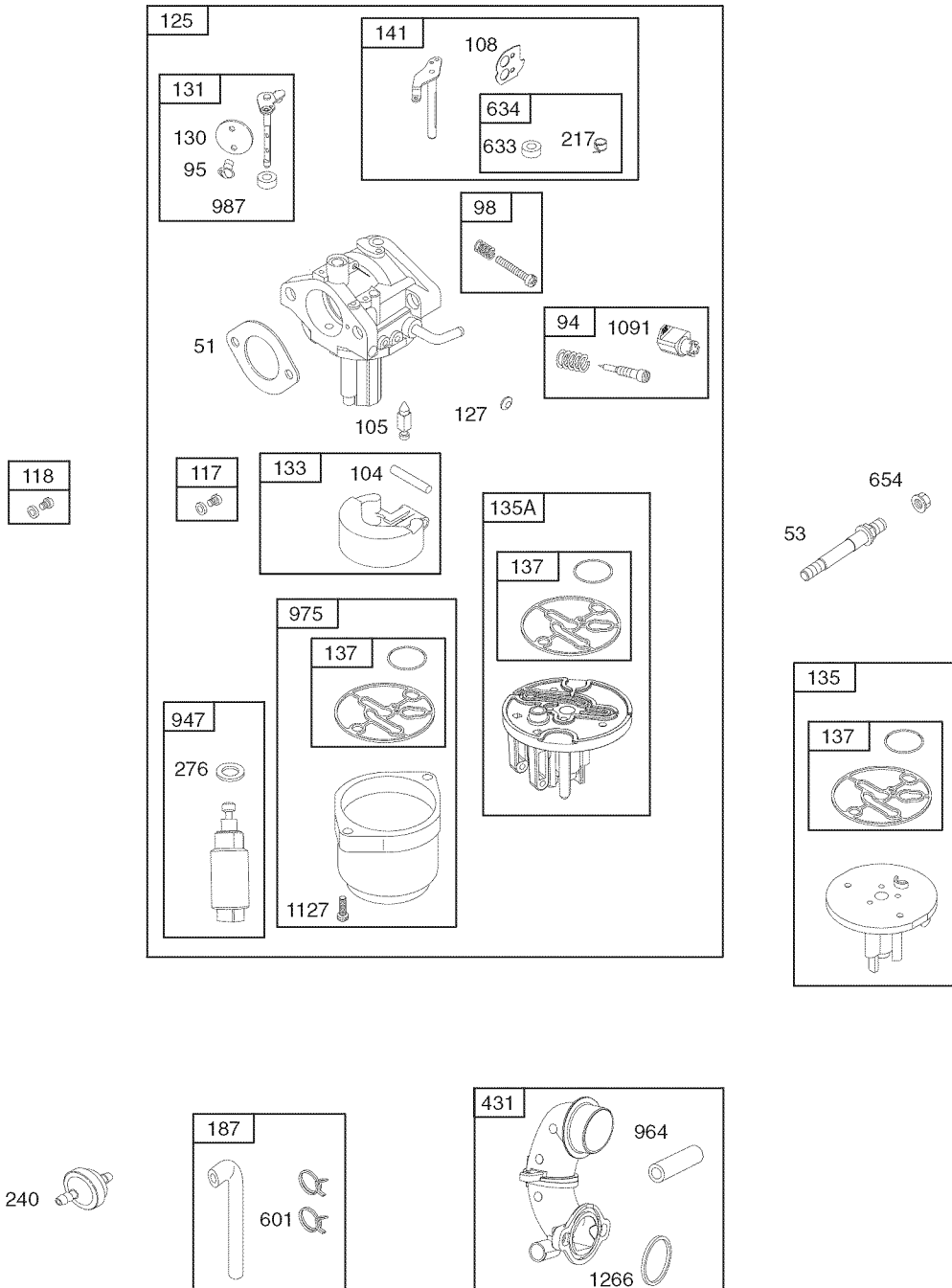
Craftsman Engine Model 31P677-3373-G2/G6 For Model 247.288841



*Assemblies include all parts shown in frames.*

# PARTS LIST

Craftsman Engine Model 31P677-3373-G2/G6 For Model 247.288841

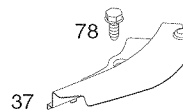
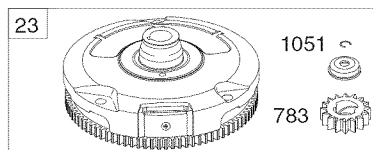
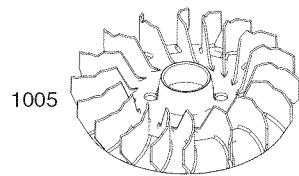
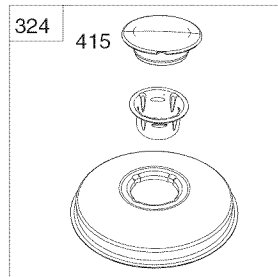
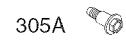
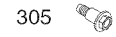
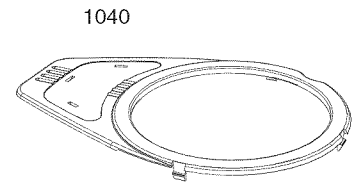
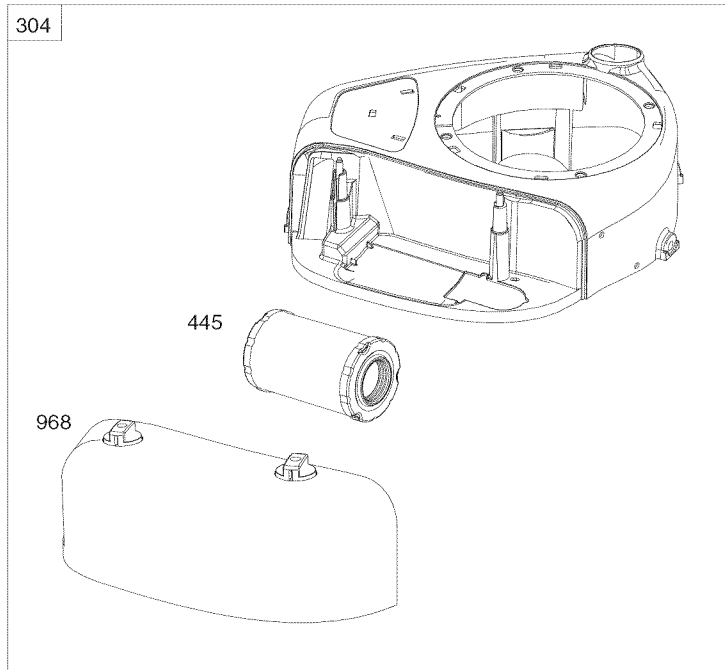


*Assemblies include all parts shown in frames.*

# PARTS LIST

Craftsman Engine Model 31P677-3373-G2/G6 For Model 247.288841

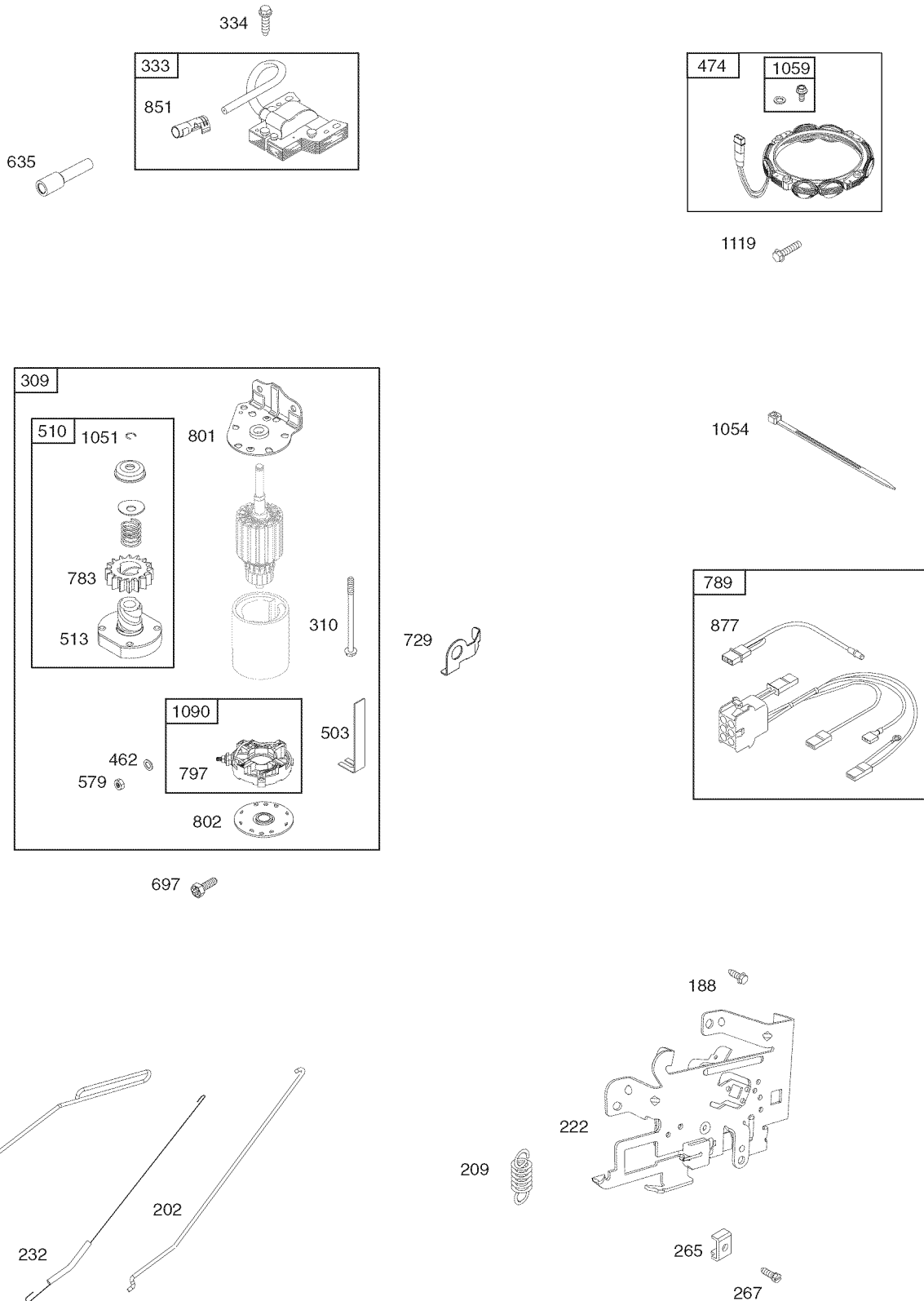
1036 EMISSIONS LABEL



**Assemblies include all parts shown in frames.**

# PARTS LIST

Craftsman Engine Model 31P677-3373-G2/G6 For Model 247.288841

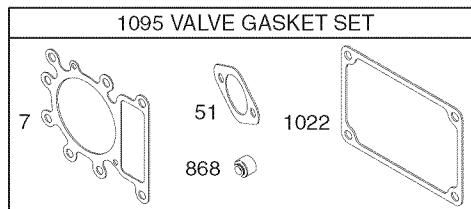
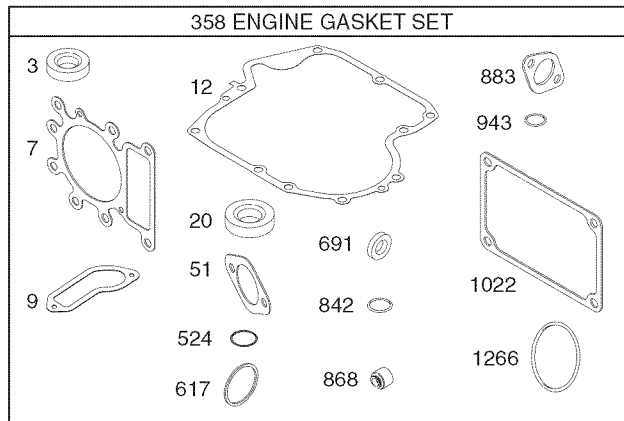
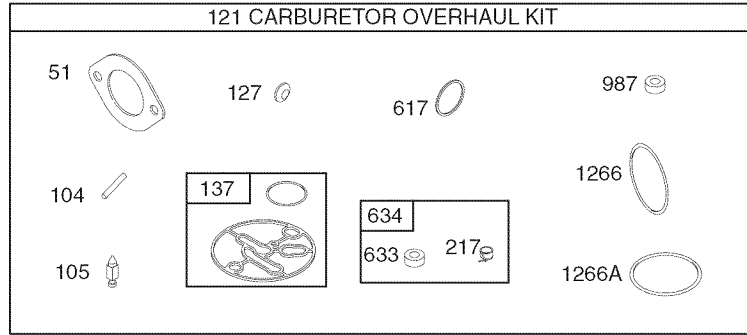


*Assemblies include all parts shown in frames.*



# PARTS LIST

Craftsman Engine Model 31P677-3373-G2/G6 For Model 247.288841



*Assemblies include all parts shown in frames.*

# PARTS LIST

## Craftsman Engine Model 31P677-3373-G2/G6 For Model 247.288841

Ref. No.	Part No.	Description	Ref. No.	Part No.	Description
1	796010	Cylinder Assembly	104	694918	Pin-Float Hinge
2	399265	Kit-Bushing/Seal (Magneto Side)	105	696136	Valve-Float Needle
3	391086s	Seal-Oil (Magneto Side)	108	695419	Valve-Choke
4	697188	Sump-Engine	117	699773	Jet-Main (Standard)
5	796026	Head-Cylinder	118	843099	Jet-Main (High Altitude)
7	796584	Gasket-Cylinder Head	121	796184	Kit-Carburetor Overhaul
11	794683	Tube-Breather	125	796110	Carburetor (Service Carburetor)
12	697110	Gasket-Crankcase	127	690727	Plug-Welch
13	793988	Screw (Cylinder Head)	130	792747	Valve-Throttle
15	690946	Plug-Oil Drain	131	792765	Kit-Throttle Shaft
16	797759	Crankshaft	133	694914	Float-Carburetor
20	795387	Seal-Oil (PTO Side)	135	698780	Tube-Fuel Transfer (Original Carburetor)
22	692125	Screw (Crankcase Cover/Sump)	135A	792022	Tube-Fuel Transfer (Service Carburetor)
23	698281	Flywheel	137	698781	Gasket-Float Bowl
24	796335	Key-Flywheel (Steel)	141	792777	Kit-Choke Shaft
25	796172	Piston Assembly (Standard)	146	691639	Key-Timing
	796173	Piston Assembly (.020" Oversize)	186	794873	Connector-Hose (Intake Manifold)
26	791936	Ring Set (Standard)	187	791805	Line-Fuel (Formed) (Cut to Required Length)
	792649	Ring Set (.020" Oversize)	188	691693	Screw (Control Bracket)
27	698469	Lock-Piston Pin	192	691986	Adjuster-Rocker Arm
28	796007	Pin-Piston	202	691841	Link-Mechanical Governor
29	794122	Rod-Connecting	209	692208	Spring-Governor (Green)
32	791118	Screw (Connecting Rod)	216	691840	Link-Governor
33	792868	Valve-Exhaust	217	695409	Spring-Choke Return
34	791935	Valve-Intake	222	694042	Bracket-Control
35	691279	Spring-Valve (Intake)	227	691374	Lever-Governor Control
36	691279	Spring-Valve (Exhaust)	232	691842	Spring-Governor Link
37	697352	Guard-Flywheel	238	691843	Cap-Valve
42	499586	Keeper-Valve	240	394358s	Filter-Fuel
43	691968	Slinger-Governor/Oil	265	691024	Clamp-Casing
45	690564	Tappet-Valve	267	794904	Screw (Casing Clamp)
46	793880	Camshaft	276	695410	Washer-Sealing
48	N/A	Short Block (Not Available At This Printing)	304	797900	Housing-Blower
50	796180	Manifold-Intake	305	697102	Screw (Blower Housing) (Blower Housing to Cylinder) (1/4-20x1.14)
51	692137	Gasket-Intake	305A	793376	Screw (Blower Housing) (1/4-20x.68)
51A	796081	Gasket-Intake	305B	795891	Screw (Blower Housing) (To Carburetor Elbow) (#10-16x.43)
53	690227	Stud (Carburetor)	305C	799370	Screw (Blower Housing) (After Date Code: 10120500) (1/4-20x.90)
54	691148	Screw (Intake Manifold)			
78	691693	Screw (Flywheel Guard)			
94	793610	Kit-Idle Mixture			
95	690718	Screw (Throttle Valve)			
98	695408	Kit-Idle Speed			

# PARTS LIST

## Craftsman Engine Model 31P677-3373-G2/G6 For Model 247.288841

Ref. No.	Part No.	Description	Ref. No.	Part No.	Description
306	796006	Shield-Cylinder	684	697157	Screw (Breather Passage Cover)
307	691693	Screw (Cylinder Shield)	691	692407	Seal-Governor Shaft
309	693551	Motor-Starter	697	690372	Screw (Drive Cap)
310	690323	Screw (Starter Motor)	718	690959	Pin-Locating
324	796308	Screen/Cup Assembly	729	691224	Clip-Wire
333	795315	Armature-Magneto	741	697128	Gear-Timing
334	691061	Screw (Magneto Armature)	750	790832	Screw (Oil Pump Cover)
337	491055s	Plug-Spark	757	793242	Link-Counterweight
358	796187	Gasket Set-Engine	758	793763	Counterweight
404	691691	Washer (Governor Crank)	759	697392	Pin-Counterweight
415	794129	Plug (Cover/Retainer)	783	693713	Gear-Pinion
415A	690283	Plug (Intake Manifold)	789	698329	Harness-Wiring
431	797901	Elbow-Intake	797	693167	Nut (Brush Retainer)
445	796031	Filter-Air Cleaner Cartridge	801	691283	Cap-Drive
462	691261	Washer (Starter Cable)	802	691286	Cap-End
474	696459	Alternator	830	691095	Stud-Rocker Arm
503	691532	Strap-Starter	842	691031	Seal-O Ring (Dipstick Tube)
505	691251	Nut (Governor Control Lever)	847	790442	Dipstick/Tube Assembly
510	693699	Drive-Starter	850	100106	Sealant-Liquid
513	692024	Clutch-Drive	851	692424	Terminal-Spark Plug
523	699908	Dipstick	868	690968	Seal-Valve
524	691032	Seal-Dipstick Tube	877	790544	Wire/Connector-Alternator
525	697184	Tube-Dipstick	883	692236	Gasket-Exhaust
552	697144	Bushing-Governor Crank	914	697551	Screw (Rocker Cover)
562	691119	Bolt (Governor Control Lever)	943	690589	Seal-O Ring (Oil Pump Cover)
579	691029	Nut (Starter Cable)	947	699915	Solenoid-Fuel
584	794682	Cover-Breather Passage	964	799159	Cap-Connector
585	697109	Gasket-Breather Passage	965	499613	Cover-Oil Pump
601	791850	Hose-Clamp (Green)	968	797902	Cover-Air Cleaner
614	691620	Pin-Cotter (Governor Crank)	975	699502	Bowl-Float
616	692012	Crank-Governor	987	698777	Seal-Throttle Shaft
617	692138	Seal-O Ring (Intake Manifold) (Red)	1005	796083	Fan-Flywheel
633	699813	Seal-Choke/Throttle Shaft (Choke Shaft)	1017	796981	Screen-Oil Pump
634	698779	Spring/Seal Assembly (Choke Shaft)	1022	272475s	Gasket-Rocker Cover
635	691909	Boot-Spark Plug	1023	797421	Cover-Rocker
643	698401	Retainer-Air Filter	1024	794644	Pump-Oil
654	690958	Nut (Carburetor)	1026	692003	Rod-Push (Intake)

# PARTS LIST

## Craftsman Engine Model 31P677-3373-G2/G6 For Model 247.288841

Ref. No.	Part No.	Description
1026A	692011	Rod-Push (Exhaust)
1027	492932s	Filter-Oil
1029	691751	Arm-Rocker
1034	690822	Guide-Push Rod
1036		Label-Emissions (Available from a Briggs & Stratton Authorized Dealer)
1040	699852	Plate-Trim
1044	698139	Screw (Flywheel)
1051	691265	Ring-Retaining
1054	280275	Tie-Cable
1058	276344	Operator's Manual
1059	698516	Kit-Screw/Washer (Alternator)
1070	690363	Screw (Flywheel Fan)
1090	691293	Retainer-Brush
1091	691333	Cap-Limiter
1095	794152	Gasket Set-Valve
1119	691183	Screw (Alternator)
1127	695407	Screw (Float Bowl)
1263	697124	Reed-Breather
1264	697104	Screw (Breather Reed)
1266	691917	Seal-O Ring (Intake Elbow) (Red)
1270	793243	Plug-AVS Counterweight
1329	31P677-3373-G2/G6	Replacement Engine
1330	276781	Repair Manual

Engine Gasket Set                      Key No. 358

Valve Gasket Set                      Key No. 1095

Carburetor Overhaul Kit              Key No. 121

## Notes Page

This page intentionally left blank. Use this page to make any notes regarding your tractor.

## Look For Relevant Emissions Durability Period and Air Index Information On Your Engine Emissions Label

Engines that are certified to meet the California Air Resources Board (CARB) Tier 2 Emission Standards must display information regarding the Emissions Durability Period and the Air Index. Sears Brands Management Corporation makes this information available to the consumer on our emission labels.

The Emissions Durability Period describes the number of hours of actual running time for which the engine is certified to be emissions compliant, assuming proper maintenance in accordance with the Operating & Maintenance Instructions. The following categories are used:

**Moderate:** Engine is certified to be emission compliant for 125 hours of actual engine running time.

**Intermediate:** Engine is certified to be emission compliant for 250 hours of actual engine running time.

**Extended:** Engine is certified to be emission compliant for 500 hours of actual engine running time.

For example, a typical walk-behind lawn mower is used 20 to 25 hours per year. Therefore, the **Emissions Durability Period** of an engine with an **intermediate** rating would equate to 10 to 12 years.

The **Air Index** is a calculated number describing the relative level of emissions for a specific engine family. The lower the **Air Index**, the cleaner the engine. This information is displayed in graphical form on the emissions label.

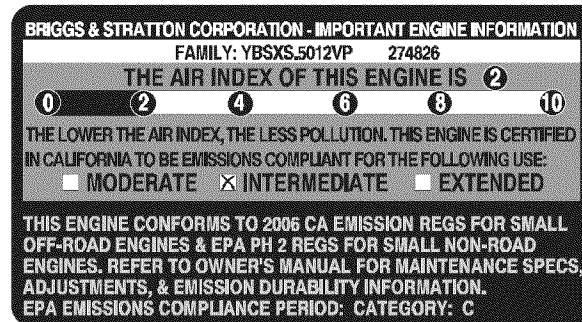
### After July 1, 2000, Look For Emissions Compliance Period On Engine Emissions Compliance Label

After July 1, 2000 certain Sears Brands Management Corporation engines will be certified to meet the United States Environmental Protection Agency (USEPA) Phase 2 emission standards. For Phase 2 certified engines, the Emissions Compliance Period referred to on the Emissions Compliance label indicates the number of operating hours for which the engine has been shown to meet Federal emission requirements.

For engines less than 225 cc displacement, Category C = 125 hours, B = 250 hours and A = 500 hours.

For engines of 225 cc or more, Category C = 250 hours, B = 500 hours and A = 1000 hours.

This is a generic representation of the emission label typically found on a certified engine.



(This page applicable in the U.S.A. and Canada only.)

**Sears Brands Management Corporation (Sears), the California Air Resources Board (CARB)  
and the United States Environmental Protection Agency (U.S. EPA)  
Emission Control System Warranty Statement (Owner's Defect Warranty Rights and Obligations)**

EMISSION CONTROL WARRANTY COVERAGE IS APPLICABLE TO CERTIFIED ENGINES PURCHASED IN CALIFORNIA IN 1995 AND THEREAFTER, WHICH ARE USED IN CALIFORNIA, AND TO CERTIFIED MODEL

YEAR 1997 AND LATER ENGINES WHICH ARE PURCHASED AND USED ELSEWHERE IN THE UNITED STATES (AND AFTER JANUARY 1, 2001 IN CANADA).

**California and United States Emission Control Defects Warranty Statement**

The California Air Resources Board (CARB), U.S. EPA and Sears are pleased to explain the Emission Control System Warranty on your model year 2000 and later small off-road engine (SORE). In California, new small off-road engines must be designed, built and equipped to meet the State's stringent anti-smog standards. Elsewhere in the United States, new non-road, spark-ignition engines certified for model year 1997 and later must meet similar standards set forth by the U.S. EPA. Sears must warrant the emission control system on your

engine for the periods of time listed below, provided there has been no abuse, neglect or improper maintenance of your small off-road engine. Your emission control system includes parts such as the carburetor, air cleaner, ignition system, muffler and catalytic converter. Also included may be connectors and other emission related assemblies. Where a warrantable condition exists, Sears will repair your small off-road engine at no cost to you including diagnosis, parts and labor.

**Sears Emission Control Defects Warranty Coverage**

Small off-road engines are warranted relative to emission control parts defects for a period of one year, subject to provisions set forth below. If any covered

part on your engine is defective, the part will be repaired or replaced by Sears.

**Owner's Warranty Responsibilities**

As the small off-road engine owner, you are responsible for the performance of the required maintenance listed in your Operating and Maintenance Instructions. Sears recommends that you retain all your receipts covering maintenance on your small off-road engine, but Sears cannot deny warranty solely for the lack of receipts or for your failure to ensure the performance of all scheduled maintenance. As the small off-road engine owner, you should however be aware that Sears may deny you warranty coverage if your small off-road engine or a part has failed due to abuse, neglect, improper maintenance or unap-

proved modifications. You are responsible for presenting your small off-road engine to an Authorized Sears Service Dealer as soon as a problem exists. The undisputed warranty repairs should be completed in a reasonable amount of time, not to exceed 30 days. If you have any questions regarding your warranty rights and responsibilities, you should contact a Sears Service Representative at 1-800-469-4663. The emission warranty is a defects warranty. Defects are judged on normal engine performance. The warranty is not related to an in-use emission test.

**Sears Emission Control Defects Warranty Provisions**

The following are specific provisions relative to your Emission Control Defects Warranty Coverage. It is in addition to the Sears engine warranty for non-regulated engines found in the Operating and Maintenance Instructions.

**1. Warranted Parts**

Coverage under this warranty extends only to the parts listed below (the emission control systems parts) to the extent these parts were present on the engine purchased.

- a. Fuel Metering System
  - Cold start enrichment system
  - Carburetor and internal parts
  - Fuel Pump
- b. Air Induction System
  - Air cleaner
  - Intake manifold
- c. Ignition System
  - Spark plug(s)
  - Magneto ignition system
- d. Catalyst System
  - Catalytic converter
  - Exhaust manifold
  - Air injection system or pulse valve
- e. Miscellaneous Items Used in Above Systems
  - Vacuum, temperature, position, time sensitive valves and switches
  - Connectors and assemblies

**2. Length of Coverage**

Sears warrants to the initial owner and each subsequent purchaser that the Warranted Parts shall be free from defects in materials and workmanship which caused the failure of the Warranted Parts for a period of one year from the date the engine is delivered to a retail purchaser.

**3. No Charge**

Repair or replacement of any Warranted Part will be performed at no charge to the owner, including diagnostic labor which leads to the determination that a Warranted Part is defective, if the diagnostic work is performed at an Authorized Sears Service Dealer. For emissions warranty service contact your nearest Authorized Sears Service Dealer as listed in the "Yellow Pages" under "Engines, Gasoline," "Gasoline Engines," "Lawn Mowers," or similar category.

**4. Claims and Coverage Exclusions**

Warranty claims shall be filed in accordance with the provisions of the Sears Engine Warranty Policy. Warranty coverage shall be excluded for failures of Warranted Parts which are not original Sears parts or because of abuse, neglect or improper maintenance as set forth in the Sears Engine Warranty Policy. Sears is not liable to cover failures of Warranted Parts caused by the use of add-on, non-original, or modified parts.

**5. Maintenance**

Any Warranted Part which is not scheduled for replacement as required maintenance or which is scheduled only for regular inspection to the effect of "repair or replace as necessary" shall be warranted as to defects for the warranty period. Any Warranted Part which is scheduled for replacement as required maintenance shall be warranted as to defects only for the period of time up to the first scheduled replacement for that part. Any replacement part that is equivalent in performance and durability may be used in the performance of any maintenance or repairs. The owner is responsible for the performance of all required maintenance, as defined in the Sears Operating and Maintenance Instructions.

**6. Consequential Coverage**

Coverage hereunder shall extend to the failure of any engine components caused by the failure of any Warranted Part still under warranty.

In the USA and Canada, a 24 hour hot line, **1-800-469-4663**, has a menu of pre-recorded messages offering you engine maintenance information.

## FEDERAL and/or CALIFORNIA EMISSION CONTROL WARRANTY STATEMENT

### YOUR WARRANTY RIGHTS AND OBLIGATIONS

MTD Consumer Group Inc, the United States Environmental Protection Agency (EPA), and, for those products certified for sale in the state of California, the California Air Resources Board (CARB) are pleased to explain the emission (evaporative and/or exhaust) control system (ECS) warranty on your outdoor 2006 and later small off-road spark-ignited engine and equipment (outdoor equipment engine) In California, new outdoor equipment engines must be designed, built and equipped to meet the State's stringent anti-smog standards (in other states, 1997 and later model year equipment must be designed, built, and equipped to meet the U.S. EPA small off-road, spark ignition engine regulations. MTD Consumer Group Inc must warrant the ECS on your outdoor equipment engine for the period of time listed below provided there has been no abuse, neglect or improper maintenance of outdoor equipment engine.

Your ECS may include parts such as the carburetor, fuel-injection system, the ignition system, catalytic converter, fuel tanks, fuel lines, fuel caps, valves, canisters, filters, vapor hoses, clamps, connectors, and other associated emission-related components.

Where a warrantable condition exists, MTD Consumer Group Inc will repair your outdoor equipment engine at no cost to you including diagnosis, parts and labor.

#### MANUFACTURER'S WARRANTY COVERAGE:

This emission control system is warranted for two years. If any emission-related part on your outdoor equipment engine is defective, the part will be repaired or replaced by MTD CONSUMER GROUP INC.

#### OWNER'S WARRANTY RESPONSIBILITIES:

As the outdoor equipment engine owner, you are responsible for performance of the required maintenance listed in your owner's manual. MTD Consumer Group Inc recommends that you retain all receipts covering maintenance on your outdoor equipment engine, but MTD Consumer Group Inc cannot deny warranty solely for the lack of receipts.

As the outdoor equipment engine owner, you should however be aware that MTD Consumer Group Inc may deny you warranty coverage if your outdoor equipment engine or a part has failed due to abuse, neglect, or improper maintenance or unapproved modifications.

You are responsible for presenting your outdoor equipment engine to MTD Consumer Group Inc's distribution center or service center as soon as the problem exists. The warranty repairs should be completed in a reasonable amount of time, not to exceed 30 days. If you have a question regarding your warranty coverage, you should contact the MTD Consumer Group Inc Service Department at 1-800-800-7310 or via email at <http://support.mtdproducts.com>

#### GENERAL EMISSIONS WARRANTY COVERAGE:

MTD Consumer Group Inc warrants to the ultimate purchaser and each subsequent purchaser that the outdoor equipment engine is: Designed, built and equipped so as to conform with all applicable regulations; and free from defects in materials and workmanship that cause the failure of a warranted part to be identical in all material respects to that part as described in MTD Consumer Group Inc's application for certification.

The warranty period begins on the date the outdoor equipment engine is delivered to an ultimate purchaser or first placed into service. The warranty period is two years.

Subject to certain conditions and exclusions as stated below, the warranty on emission-related parts is as follows:

1. Any warranted part that is not scheduled for replacement as required maintenance in the written instructions supplied, is warranted for the warranty period stated above. If the part fails during the period of warranty coverage, the part will be repaired or replaced by MTD Consumer Group Inc according to subsection (4) below. Any such part repaired or replaced under warranty will be warranted for the remainder of the period.
2. Any warranted part that is scheduled only for regular inspection in the written instructions supplied is warranted for the warranty period stated above. Any such part repaired or replaced under warranty will be warranted for the remaining warranty period.
3. Any warranted part that is scheduled for replacement as required maintenance in the written instructions supplied is warranted for the period of time before the first scheduled replacement date for that part. If the part fails before the first scheduled replacement, the part will be repaired or replaced by MTD Consumer Group Inc according to subsection (4) below. Any such part repaired or replaced under warranty will be warranted for the remainder of the period prior to the first scheduled replacement point for the part.
4. Repair or replacement of any warranted part under the warranty provisions herein must be performed at a warranty station at no charge to the owner.
5. Notwithstanding the provisions herein, warranty services or repairs will be provided at all of our distribution centers that are franchised to service the subject engines or equipment.
6. The outdoor equipment engine owner will not be charged for diagnostic labor that is directly associated with diagnosis of a defective, emission-related warranted part, provided that such diagnostic work is performed at a warranty station.
7. MTD Consumer Group Inc is liable for damages to other engine or equipment components proximately caused by a failure under warranty of any warranted part.
8. Throughout the off-road engine and equipment warranty period stated above, MTD Consumer Group Inc will maintain a supply of warranted parts sufficient to meet the expected demand for such parts.
9. Any replacement part may be used in the performance of any warranty maintenance or repairs and must be provided without charge to the owner. Such use will not reduce the warranty obligations of MTD Consumer Group Inc.
10. Add-on or modified parts that are not exempted by the Air Resources Board may not be used. The use of any non-exempted add-on or modified parts by the ultimate purchaser will be grounds for disallowing a warranty claims. MTD Consumer Group Inc will not be liable to warrant failures of warranted parts caused by the use of a non-exempted add-on or modified part.



---

## WARRANTED PARTS:

The repair or replacement of any warranted part otherwise eligible for warranty coverage may be excluded from such warranty coverage if MTD Consumer Group Inc demonstrates that the outdoor equipment engine has been abused, neglected, or improperly maintained, and that such abuse, neglect, or improper maintenance was the direct cause of the need for repair or replacement of the part. That notwithstanding, any adjustment of a component that has a factory installed, and properly operating, adjustment limiting device is still eligible for warranty coverage. Further, the coverage under this warranty extends only to parts that were present on the off-road engine and equipment purchased.

The following emission warranty parts are covered (if applicable):

(1) Fuel Metering System

- Cold start enrichment system (soft choke)
- Carburetor and internal parts (or fuel injection system)
- Fuel pump
- Fuel tank

(2) Air Induction System

- Air cleaner
- Intake manifold

(3) Ignition System

- Spark plug(s)
- Magneto ignition system

(4) Exhaust System

- Catalytic converter
- SAI (Reed valve)

(5) Miscellaneous Items Used in Above System

- Vacuum, temperature, position, time sensitive valves and switches
- Connectors and assemblies

(6) Evaporative Control

- Fuel hose
- Fuel hose clamps
- Tethered fuel cap
- Carbon canister
- Vapor lines

# REPAIR PROTECTION AGREEMENT

Congratulations on making a smart purchase. Your new Craftsman® product is designed and manufactured for years of dependable operation. But like all products, it may require repair from time to time. That's when having a Repair Protection Agreement can save you money and aggravation.

Here's what the Repair Protection Agreement\* includes:

- **Expert service** by our 10,000 professional repair specialists
- **Unlimited service and no charge** for parts and labor on all covered repairs
- **Product replacement** up to \$1500 if your covered product can't be fixed
- **Discount of 10%** from regular price of service and related installed parts not covered by the agreement; also, 10% off regular price of preventive maintenance check
- **Fast help by phone** – we call it Rapid Resolution – phone support from a Sears representative. Think of us as a “talking owner's manual.”

Once you purchase the Agreement, a simple phone call is all that it takes for you to schedule service. You can call anytime day or night, or schedule a service appointment online.

The Repair Protection Agreement is a risk-free purchase. If you cancel for any reason during the product warranty period, we will provide a full refund. Or, a prorated refund anytime after the product warranty period expires. Purchase your Repair Protection Agreement today!

**Some limitations and exclusions apply. For prices and additional information in the U.S.A. call 1-800-827-6655.**

**\*Coverage in Canada varies on some items. For full details call Sears Canada at 1-800-361-6665.**

## **Sears Installation Service**

For Sears professional installation of home appliances, garage door openers, water heaters, and other major home items, in the U.S.A. or Canada call **1-800-4-MY-HOME®**.

# ÍNDICE

Operación segura Prácticas	Páginas 59
Etiquetas De Seguridad	Page 65
Asamblea	Page 66
Operación de	Páginas 68
De Servicio y Mantenimiento de	Páginas 75

Fuera de temporada de almacenamiento	Page 85
Solución de problemas	Page 86
Lista de piezas	Páginas 30
Reparación de Acuerdo de Protección	Page 91
Servicio de números	atrasados Page

## DECLARACIÓN DE GARANTÍA

### CRAFTSMAN GARANTÍA TOTAL

POR DOS AÑOS a partir de la fecha de compra, todas las partes no fungibles de este equipo de equitación están garantizados contra cualquier defecto de material o mano de obra. Una pieza defectuosa no fungibles recibirán reparación gratuita en el hogar o la sustitución si la reparación es imposible.

Durante cinco años desde la fecha de compra, el eje del marco y el frente de este equipo de equitación están garantizados contra cualquier defecto de material o mano de obra. Un cuadro defectuoso o eje delantero recibirá reparación gratuita en el hogar o la sustitución si la reparación es imposible.

POR 90 DÍAS a partir de la fecha de compra, la batería (una parte fungibles) de este equipo de equitación está garantizada contra cualquier defecto de material o mano de obra (nuestras pruebas demuestra que no mantiene la carga). Una batería defectuosa recibirá reemplazo gratuito en el hogar.

#### ADICIONAL DE GARANTÍA LIMITADA DE POR VIDA en FUNDICIÓN eje delantero (si está instalado)

PARA SIEMPRE Y COMO SE UTILIZA por el propietario original después del quinto año desde la fecha de compra, el hierro fundido eje delantero (si existe) de este equipo de equitación está garantizada contra cualquier defecto de material o mano de obra. Con el comprobante de compra, un eje delantero fundido defectuoso recibirá reemplazo gratuito en el hogar.

#### GARANTÍA DE SERVICIO

Para obtener información detallada cobertura de la garantía para obtener la reparación o sustitución gratuita, llame al 1-800-659-5917 o visite el sitio web: [www.craftsman.com](http://www.craftsman.com)

En todos los casos anteriores, si la reparación o reemplazo de una parte es imposible, el equipo de equitación será reemplazado de forma gratuita con el mismo o equivalente.

Todos los de la cobertura de la garantía anterior es inválida si este equipo de montar a caballo es utilizado alguna vez, mientras que la prestación de servicios comerciales o si se alquila a otra persona.

#### Esta garantía cubre los defectos SOLO de materiales y fabricación. La garantía no incluye:

- Las partes consumibles (excepto la batería) que puede gastarse por el uso normal dentro del periodo de garantía, incluyendo pero no limitado a, cuchillas, bujías, filtros de aire, correas y filtros de aceite.
- Los servicios de mantenimiento, cambios de aceite, o puestas a punto.
- Tire el reemplazo o reparación de pinchazos causados por objetos externos, tales como clavos, espinas, tocones o vidrio.
- Tire de la rueda o el reemplazo o la reparación resultantes del desgaste normal, accidente o mal funcionamiento o mantenimiento.
- Las reparaciones necesarias debido al abuso del operador, incluyendo pero no limitado a los daños causados por el remolque de los objetos más allá de la capacidad del equipo de equitación, el impacto de objetos que doblen la estructura, el montaje del eje o del cigüeñal, o de exceso de velocidad del motor.
- Las reparaciones necesarias debido a la negligencia del operador, incluyendo pero no limitado a, daños eléctricos y mecánicos causados por un almacenamiento inadecuado, no utilización de la calidad o cantidad de aceite de motor, no mantener el piso libre de residuos inflamables, o falta de mantenimiento del Equipo ecuestre de acuerdo a las instrucciones contenidas en el manual del operador.
- El motor (sistema de combustible) de limpieza o reparaciones provocadas por un combustible que se contaminado u oxidado (viejo). En general, el combustible debe ser utilizado dentro de los 30 días siguientes a la fecha de compra.
- deterioro y desgaste normal de los acabados exteriores, o reemplazo de la etiqueta del producto.

Esta garantía le otorga derechos legales específicos, y usted también puede tener otros derechos que varían de estado a estado.

Sears Brands Management Corporation, Hoffman Estates, IL 60179

## ESPECIFICACIONES DEL PRODUCTO

Aceite del motor: SAE 30  
Combustible: Gasolina sin plomo  
Bujía: Champion® RC12YC  
Motor: Briggs & Stratton

## NÚMERO DE MODELO

Número de modelo .....  
Número de serie .....  
Fecha de compra .....

Registre arriba el número del modelo, el número de serie y la fecha de compra

# INSTRUCCIONES DE SEGURIDAD

## ⚠️ ADVERTENCIA

La presencia de este símbolo indica que se trata de instrucciones importantes de seguridad que se deben respetar para evitar poner en peligro su seguridad personal y/o material y la de otras personas. Lea y siga todas las instrucciones de este manual antes de poner en funcionamiento esta máquina. Si no respeta estas instrucciones podría provocar lesiones personales. Cuando vea este símbolo, ¡preste atención a la advertencia!

## ⚠️ ADVERTENCIA

### PROPOSICIÓN 65 DE CALIFORNIA

El escape del motor de este producto, algunos de sus componentes y algunos componentes del vehículo contienen o liberan sustancias químicas que el estado de California considera que pueden producir cáncer, defectos de nacimiento u otros problemas reproductivos. Los bornes de la batería y los accesorios afines contienen plomo y compuestos de plomo, sustancias químicas que según lo establecido por el Estado de California causan cáncer y daños en el sistema reproductivo. *Lávese las manos después de estar en contacto con estos componentes.*

## ⚠️ PELIGRO

Esta máquina fue construida para ser operada de acuerdo con las reglas de seguridad contenidas en este manual. Al igual que con cualquier tipo de equipo motorizado, un descuido o error por parte del operador puede producir lesiones graves. Esta máquina es capaz de amputar manos y pies y de arrojar objetos con gran fuerza. De no respetar las instrucciones de seguridad siguientes se pueden producir lesiones graves o la muerte.

## ⚠️ ADVERTENCIA

**Su responsabilidad**—Restrinja el uso de esta máquina motorizada a las personas que lean, comprendan y respeten las advertencias e instrucciones que aparecen en este manual y en la máquina.

**¡GUARDE ESTAS INSTRUCCIONES!**

## FUNCIONAMIENTO GENERAL

- Lea, entienda y cumpla todas las instrucciones incluidas en la máquina y en los manuales antes de montarla y utilizarla. Guarde este manual en un lugar seguro para consultas futuras y periódicas, así como para solicitar repuestos.
- Familiarícese con todos los controles y con el uso adecuado de los mismos. Sepa cómo detener la máquina y desactivar los controles rápidamente.
- No permita nunca que los niños menores de 14 años utilicen esta máquina. Los niños de 14 años en adelante deben leer y entender las instrucciones de operación y normas de seguridad contenidas en este manual, y en la máquina y deben ser entrenados y supervisados por un adulto.
- Nunca permita que los adultos operen esta máquina sin recibir antes la instrucción apropiada.
- Para ayudar a evitar el contacto con las cuchillas o una lesión por algún objeto que sea arrojado, mantenga a los observadores, a los ayudantes, niños y mascotas alejados al menos 25 metros de la máquina mientras está en funcionamiento. Detenga la máquina si alguien entra en la zona.
- Inspeccione minuciosamente el área donde utilizará el equipo. Retire todas las piedras, palos, cables, huesos, juguetes y otros objetos extraños que podrían ser recogidos y arrojados por la acción de las cuchillas. Los objetos arrojados por la máquina pueden producir lesiones graves.
- Planifique el patrón de corte del césped que ha de seguir para evitar la descarga de material hacia los caminos, las veredas, los observadores, etc. Evite además descargar material contra las paredes y obstrucciones que podrían provocar que el material descargado rebote contra el operador.
- Para protegerse los ojos utilice siempre anteojos o antiparras de seguridad mientras opera la máquina o mientras la ajusta o repara. Los objetos arrojados que rebotan pueden producir lesiones oculares graves.
- Utilice zapatos de trabajo resistentes, de suela fuerte, así como pantalones y camisas ajustados. Las prendas sueltas o las alhajas pueden quedar atrapadas en las piezas móviles. Nunca opere la máquina descalzo o con sandalias.
- Esté atento a la cortadora y a la dirección de la descarga de los aditamentos y no apunte a nadie. Nunca opere la cortadora de césped sin que estén en su lugar apropiado la cubierta de descarga o el colector de recortes de césped.
- No ponga las manos o los pies cerca de las piezas rotatorias o debajo de la plataforma de corte. El contacto con las cuchillas puede producir la amputación de manos y pies.
- Una cubierta de descarga faltante o dañada puede provocar el contacto con la cuchilla o lesiones por objetos arrojados.
- Detenga la(s) cuchilla(s) cuando atraviese senderos, sendas o caminos de grava y cuando no esté cortando el césped.
- Vigile el tránsito vehicular cuando esté operando cerca de o en cruces de caminos. Esta máquina no debe utilizarse en la vía pública.
- No opere esta máquina bajo los efectos del alcohol o de drogas.
- Corte el césped solamente con luz de día o con una buena luz artificial.
- Nunca transporte pasajeros.
- Desenganche la(s) cuchilla(s) antes de colocar la marcha atrás. Retroceda lentamente. Siempre mire hacia abajo y hacia atrás antes y mientras retrocede, para evitar accidentes.
- Reduzca la velocidad antes de dar la vuelta. Opere la máquina suavemente. Evite la operación errática y la velocidad excesiva.
- Desenganche la(s) cuchilla(s), coloque el freno de estacionamiento, detenga el motor y espere hasta que la(s) cuchilla(s) se detenga(n) por completo antes de retirar el colector de césped, vaciar los recortes, destapar el canal, retirar restos de césped o desechos, o hacer cualquier ajuste.

# INSTRUCCIONES DE SEGURIDAD

- Nunca deje la máquina en funcionamiento sin vigilancia. Apague siempre las cuchillas, coloque el freno de mano, detenga el motor y retire la llave antes de bajarse del vehículo.
  - Tenga sumo cuidado al cargar o descargar la máquina en un remolque o camión. Esta unidad no debe conducirse en ascenso o descenso de rampas, porque podría ladearse y provocar lesiones personales graves. En las rampas la máquina se debe empujar manualmente para cargarla o descargarla correctamente.
  - El silenciador y el motor se calientan y pueden causar quemaduras. No los toque.
  - Revise el espacio libre por encima de la cabeza antes de conducir bajo las ramas bajas de árboles, cables, cerramientos de puertas, etc. en los cuales el operador podría atorarse o ser empujado fuera de la máquina, lo que podría resultar en lesiones graves.
  - Desenganche todos los embragues de los accesorios y presione totalmente el pedal del freno antes de intentar arrancar el motor.
  - La máquina está diseñada para cortar césped residencial normal, con una altura no mayor a 10". No intente cortar césped demasiado crecido, seco (por ej., pastura) ni pilas de hojas secas. El césped y las hojas secas pueden entrar en contacto con el escape del motor y/o acumularse en la plataforma de la cortadora de césped, convirtiéndose en un peligro de incendio.
  - Utilice solamente accesorios y aditamentos aprobados para esta máquina por el fabricante de la misma. Lea, comprenda y siga todas las instrucciones proporcionadas con los accesorios o aditamentos aprobados. Para obtener una lista de los accesorios aprobados y los archivos adjuntos, llame 1-800-659-5917.
  - Los datos estadísticos muestran que los operadores de 60 años y mayores se ven involucrados en un alto porcentaje de lesiones relacionadas con tractores corta césped. Estos operadores deben evaluar su capacidad para operar el tractor corta césped en forma suficientemente segura para protegerse a ellos mismos y a los demás contra lesiones graves.
  - Si se presentan situaciones que no están previstas en este manual sea cuidadoso y use el sentido común. Contacto 1-800-659-5917 para información y asistencia.
- Vaya a baja velocidad. Elija una velocidad lo suficientemente baja, de modo que no tenga que detenerse o hacer cambios mientras está sobre la pendiente. Los neumáticos podrían perder tracción sobre las pendientes aún cuando los frenos funcionaran apropiadamente. Siempre mantenga la máquina en cambio mientras desciende las pendientes, para poder frenar con el motor.
  - Siga las recomendaciones del fabricante para los pesos o contrapesos de las ruedas, para mejorar la estabilidad de la máquina. Para recomendaciones, llame al 1-800-659-5917.
  - Tenga especial cuidado con los colectores de césped u otros aditamentos. Los mismos pueden modificar la estabilidad de la máquina.
  - Haga que todos los movimientos en las pendientes sean lentos y graduales. No cambie repentinamente la velocidad ni la dirección. Un frenado o cambio de velocidad repentinos pueden causar que el frente de la máquina se levante y dé una voltereta hacia atrás, lo que podría producir lesiones graves.
  - Evite arrancar o detenerse en una pendiente. Si los neumáticos pierden la tracción, desenganche las cuchillas y descienda lentamente la pendiente.

## No haga lo siguiente:

- No gire sobre las pendientes a menos que sea necesario. Si es posible, gire lentamente y gradualmente durante el descenso.
- No corte el césped cerca de pozos, hundimientos o terraplenes. La cortadora de césped puede volcarse repentinamente si una de las ruedas está sobre el borde de un acantilado, zanja o si un borde se desmorona.
- No intente estabilizar la máquina poniendo el pie en el suelo.
- No utilice un colector de césped en pendientes empinadas.
- No pise el césped húmedo. Una menor tracción podría causar derrapes.
- No para descender. El exceso de velocidad puede hacer que el operador pierda el control de la máquina, ocasionando lesiones graves e incluso la muerte.
- No remolque cargas pesadas detrás de los aditamentos (carrito de basura cargado, podadora de rodillos, etc) en pendientes mayores de 5 grados. Cuando se desplaza pendiente abajo, el peso adicional tiende a empujar el tractor y puede hacer que se pierda el control del mismo (por ejemplo, el tractor se puede acelerar, se reduce la capacidad para frenar y maniobrar, los accesorios pueden plegarse como un cortaplumas y hacer que el tractor vuelque).

## FUNCIONAMIENTO EN PENDIENTES

Las pendientes son un factor importante relacionado con accidentes por derrape y vuelcos que pueden producir lesiones graves e incluso la muerte. La operación en pendientes requiere mayor precaución. Si no puede retroceder en la pendiente o si no se siente seguro, no realice ninguna operación de corte.

Para su seguridad, use el indicador de pendientes que se incluye como parte de este manual para medir la pendiente antes de operar la máquina en una zona inclinada. Si la pendiente es mayor de 15 grados según el medidor, no opere esta máquina en ese sector, pues podría causar lesiones graves.

### Haga lo siguiente:

- Pise hacia arriba y abajo de las pendientes, no de forma transversal. Tenga cuidado cuando cambie de dirección al operar en pendiente.
- Esté atento a los hoyos, surcos, baches, rocas, u otros objetos ocultos. El terreno desnivelado puede voltear la máquina. El césped alto puede ocultar obstáculos.

## NIÑOS

Pueden ocurrir accidentes trágicos si el operador no está atento a la presencia de niños. Por lo general, los niños se sienten atraídos por este tipo de máquinas y su funcionamiento. No entienden los riesgos ni los peligros. Nunca asuma que los niños permanecerán en el mismo lugar donde los vio por última vez.

- Mantenga a los niños fuera del área de trabajo y bajo estricta vigilancia de un adulto responsable además del propio operador.
- Esté alerta y apague la máquina si un niño ingresa al área.
- Antes y mientras está retrocediendo, mire hacia atrás y cuide que no haya niños.
- Nunca transporte niños, aún con la cuchilla apagada. Podrían caerse y resultar severamente heridos o interferir con la operación segura de la máquina.
- Tenga extrema precaución cuando se aproxime a esquinas ciegas, portales, arbustos, árboles u otros objetos que puedan impedirle ver a un niño que se cruce en el recorrido de la máquina.

# INSTRUCCIONES DE SEGURIDAD

- Para evitar accidentes al operar en marcha atrás, siempre desenganche las cuchillas antes de colocar marcha atrás. Si está instalado, el “Modo Precaución Marcha Atrás” (hojas de operar la máquina, mientras que los paseos a la inversa) no debe utilizarse cuando hay niños u otras personas presentes.
- Mantenga a los niños alejados de los motores en marcha o calientes. Pueden sufrir quemaduras con un silenciador caliente.
- Retire la llave cuando deje la máquina sin vigilancia, evite que una persona sin autorización la maneje.

No permita nunca que los niños menores de 14 años utilicen esta máquina. Los niños de 14 años en adelante deben leer y entender las instrucciones de operación y normas de seguridad contenidas en este manual, y en la máquina y deben ser entrenados y supervisados por un adulto.

## REMOLQUE

- Remolque únicamente con una máquina que cuente con un enganche diseñado para remolcar. No acople equipo remolcado excepto en el punto de enganche.
- Siga las recomendaciones del fabricante en lo que respecta a los límites de peso de los equipos a remolcar y al remolque en pendientes. Para recomendaciones, llame al 1-800-659-5917.
- Nunca permita la presencia de niños u otras personas dentro o sobre los equipos remolcados.
- En las pendientes, el peso del equipo remolcado puede causar pérdida de tracción y pérdida de control de la máquina.
- Siempre use extra la precaución remolcando con una máquina capaz de hacer vueltas apretadas (p.ej paseo “de vuelta cero” - en el cortacésped). Haga amplias vueltas para evitar al gato-knifing.
- Desplácese lentamente y deje distancia adicional para frenado.
- No para descender.

## SERVICIO

### Manejo seguro de la gasolina

Para evitar lesiones personales o daños materiales sea sumamente cuidadoso al manipular la gasolina. La gasolina es sumamente inflamable y sus vapores pueden causar explosiones. Se puede lesionar gravemente si derrama gasolina sobre usted o sobre la ropa, ya que ésta se puede incendiar. Lávese la piel y cámbiese de ropa de inmediato.

- Utilice sólo los recipientes para gasolina autorizados.
- Nunca llene los recipientes en el interior de un vehículo o camión o caja de remolque con recubrimiento plástico. Coloque siempre los recipientes en el piso y lejos del vehículo antes de realizar la carga.
- Cuando sea factible, retire el equipo a gasolina del camión o remolque y llénelo en el suelo. Si esto no es posible, llene el equipo en un remolque con un contenedor portátil, en vez de hacerlo con una boquilla dispensadora de gasolina.
- Mantenga la boquilla de llenado en contacto con el borde del depósito de combustible o con la abertura del recipiente en todo momento, hasta terminar la carga. No utilice un dispositivo de boquilla de apertura/cierre.

- Apague todos los cigarrillos, cigarros, pipas y otras fuentes de combustión.
- Nunca cargue combustible en la máquina en un espacio cerrado.
- Nunca saque la tapa del combustible ni agregue combustible mientras el motor está caliente o en marcha. Deje que el motor se enfríe por lo menos dos minutos antes de volver a cargar combustible.
- Nunca llene en exceso el depósito de combustible. Llene el tanque no más de ½ pulgada por debajo de la base del cuello del tapón de carga, para dejar espacio para la expansión del combustible.
- Vuelva a colocar la tapa de la gasolina y ajústela bien.
- Limpie el combustible que se haya derramado sobre el motor y el equipo. Traslade la máquina a otra zona. Espere 5 minutos antes de encender el motor.
- Para reducir el riesgo de incendio, mantenga la máquina limpia de pasto, hojas y de acumulación de otros residuos. Limpie los derrames de aceite o combustible y saque todos los residuos embebidos de combustible.
- Nunca guarde la máquina o el recipiente de combustible en un espacio cerrado donde haya fuego, chispas o luz piloto, como por ejemplo de calentadores de agua, calefactores de ambientes, hornos, secadores de ropa u otros aparatos a gas.
- Deje que la máquina se enfríe cinco minutos por lo menos antes de guardarla.

### Servicio general

- Nunca encienda el motor en espacios cerrados o en una zona con poca ventilación. El escape del motor contiene monóxido de carbono, un gas inodoro y letal.
- Antes de limpiar, reparar o inspeccionar la máquina, compruebe que la(s) cuchilla(s) y todas las partes en movimiento se hayan detenido. Desconecte el cable de la bujía y póngalo haciendo masa contra el motor para evitar que se encienda accidentalmente.
- Revise periódicamente para asegurarse que las cuchillas se detengan por completo en aproximadamente cinco (5) segundos después de accionar el control de desenganche de la(s) cuchilla(s). Si las cuchillas no se detienen dentro de este lapso de tiempo, su unidad deberá ser reparada por su distribuidor de servicio autorizado MTD.
- Revise con frecuencia el funcionamiento del sistema de frenos ya que está sujeto a desgaste por la operación normal. Ajuste y efectúe mantenimiento según se requiera.

# INSTRUCCIONES DE SEGURIDAD

- Revise los pernos de montaje de la(s) cuchilla(s) y del motor a intervalos frecuentes para verificar que estén bien apretados. Además, inspeccione visualmente la(s) cuchilla(s) en busca de daños (por ejemplo, desgaste excesivo, abolladuras, rajaduras, etc.). Reemplace la(s) cuchilla(s) únicamente con las cuchillas de fabricantes de equipos originales (O.E.M.) listadas en este manual. El uso de piezas que no cumplen con las especificaciones del equipo original podría tener como resultado un rendimiento incorrecto y además poner en riesgo la seguridad.
- Las cuchillas de las podadoras son muy afiladas. Envuelva la cuchilla o utilice guantes y extreme las precauciones cuando efectúe mantenimiento.
- Mantenga todos los pernos, tuercas y tornillos bien ajustados para asegurarse de que la máquina se encuentra en condiciones seguras de operación.
- Nunca altere el sistema de enclavamiento de seguridad ni otros mecanismos de seguridad. Controle periódicamente que funcionen correctamente.
- Después de golpear con algún objeto extraño, detenga el motor, desconecte el cable de la bujía y conecte el motor a masa. Inspeccione minuciosamente la máquina para ver si está dañada. Repare el daño antes de arrancar y utilizar la máquina.
- Nunca trate de hacer ajustes o reparaciones a la máquina mientras el motor está en marcha.
- Los componentes del colector de césped y la cubierta de descarga, están sujetos a desgaste y daños que podrían dejar expuestas partes en movimiento o permitir que se arrojen objetos. Para proteger su seguridad, verifique frecuentemente todos los componentes y reemplácelos inmediatamente sólo con piezas de los fabricantes del equipo original, listados en este manual. El uso de piezas que no cumplen con las especificaciones del equipo original podría tener como resultado un rendimiento incorrecto y además poner en riesgo la seguridad.
- No cambie la configuración del regulador del motor ni lo opere a sobrevelocidad. El regulador del motor controla la velocidad máxima segura de funcionamiento del motor.
- Mantenga o reemplace las etiquetas de seguridad e instrucciones según sea necesario.
- Respete las normas referentes a la disposición correcta y las reglamentaciones sobre gasolina, aceite, etc. para proteger el medio ambiente.
- Según la Comisión de Seguridad de Productos para el Consumidor de los Estados Unidos (CPSC) y la Agencia de Protección Ambiental de los Estados Unidos (EPA), este producto tiene una vida útil media de siete (7) años, ó 270 horas de funcionamiento. Al finalizar la vida útil media, adquiera una máquina nueva o haga inspeccionar anualmente ésta Sears por uno u otro distribuidor de servicios para cerciorarse de que todos los sistemas mecánicos y de seguridad funcionan correctamente y no tienen excesivo desgaste. Si no lo hace, pueden producirse accidentes, lesiones o muerte.

## NO MODIFIQUE EL MOTOR

Para evitar lesiones graves o la muerte, no modifique el motor bajo ninguna circunstancia. Si cambia la configuración del regulador del motor el motor puede descontrolarse y operar a velocidades inseguras. Nunca cambie la configuración de fábrica del regulador del motor.

## AVISO REFERIDO A EMISIONES

Los motores que están certificados y cumplen con las regulaciones de emisiones federales EPA y de California para SORE (Equipos pequeños todo terreno) están certificados para operar con gasolina común sin plomo y pueden incluir los siguientes sistemas de control de emisiones: Modificación de motor (EM) y catalizador de tres vías (TWC) si están equipados de esa manera.

## GUARDACHISPAS

### ADVERTENCIA

Esta máquina está equipada con un motor de combustión interna y no debe ser utilizada en o cerca de un terreno agreste cubierto por bosque, malezas o hierba excepto si el sistema de escape del motor está equipado con un amortiguador de chispas que cumpla con las leyes locales o estatales correspondientes, en caso de haberlas.

Si se utiliza un amortiguador de chispas el operador lo debe mantener en condiciones de uso adecuadas. En el Estado de California las medidas anteriormente mencionadas son exigidas por ley (Artículo 4442 del Código de Recursos Públicos de California). Es posible que existan leyes similares en otros estados. Las leyes federales se aplican en territorios federales.

Puede conseguir el amortiguador de chispas para el silenciador a través de su distribuidor autorizado de motores o poniéndose en contacto con el centro de servicio Sears.

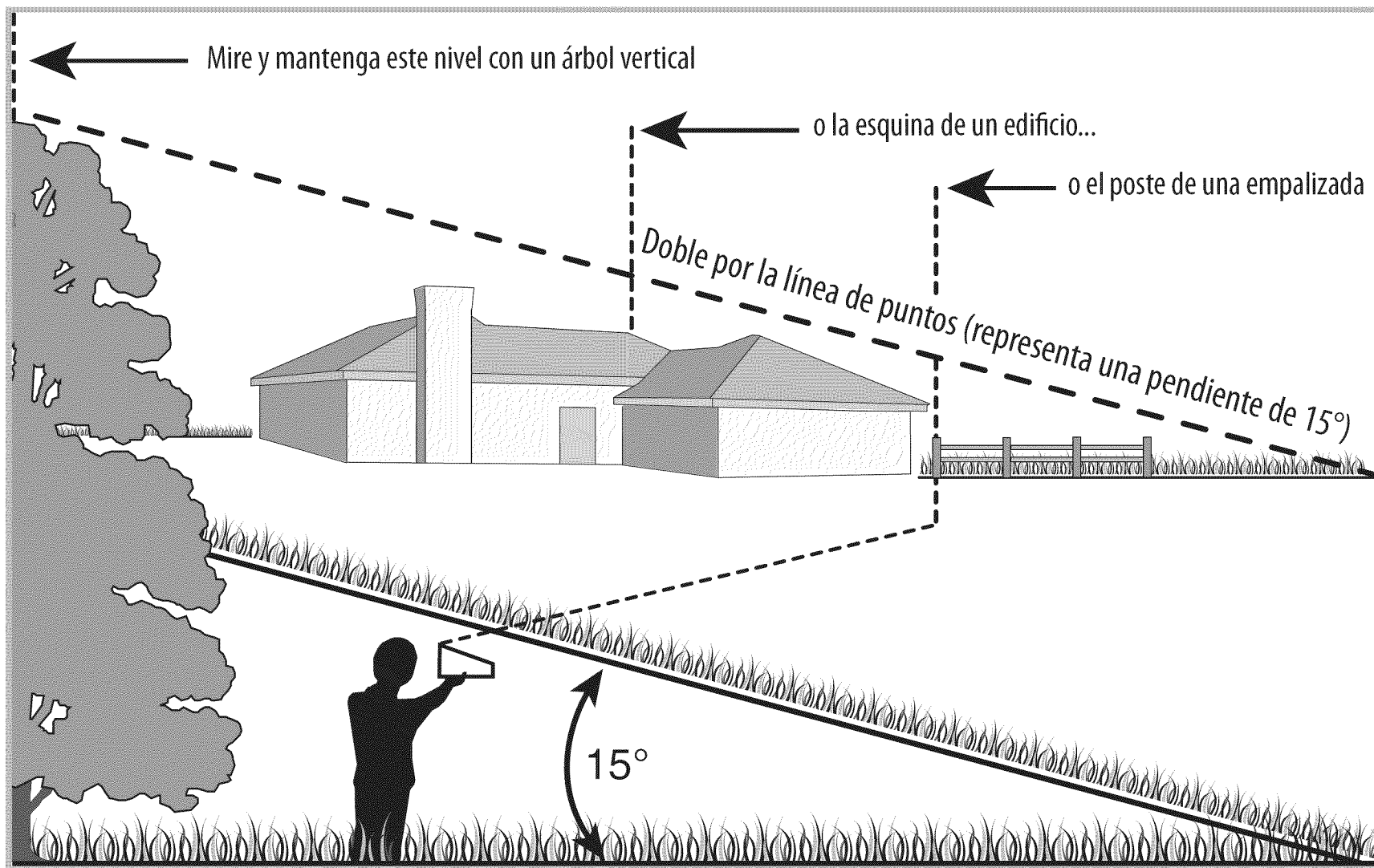
# INSTRUCCIONES DE SEGURIDAD

## SÍMBOLOS DE SEGURIDAD

Esta página representa y describe la seguridad los símbolos que pueden parecer en este producto. Lea, comprenda, y siga todas instrucciones en la máquina antes procurar para reunir y operar.

Symbol	Description
	LEA EL MANUAL(S) DEL OPERADOR leído, entienda, y siga todas las instrucciones en el manual(s) antes de procurar montar y funcionar
	PELIGRO— DÉ EL CORTE DE PIE Nunca transporte pasajeros. Nunca transporte niños, aún con la cuchilla apagada.
	PELIGRO— DÉ EL CORTE DE PIE Retroceda lentamente. Siempre mire hacia abajo y hacia atrás antes y mientras retrocede, para evitar accidentes.
	PELIGRO— DÉ EL CORTE DE PIE Guarde manos y pies lejos de hacer girar partes.
	PELIGRO— ESCOMBROS LANZADOS Quite objetos que pueden ser lanzados por la lámina en cualquier dirección. Lleve gafas de seguridad..
	PELIGRO— ESCOMBROS LANZADOS Quite objetos que pueden ser lanzados por la lámina en cualquier dirección. Lleve gafas de seguridad.
	PERSONAS PRESENTES Guarde a las personas presentes, a los ayudantes y a niños por lo menos 75 pies lejos.
	PELIGRO— CUESTAS Use extra la precaución en cuestas. No siegue cuestas mayores que 15°.
	ADVERTENCIA — SUPERFICIE CALIENTE Las partes del motor, especialmente el silenciador, llega a ser muy caliente durante la operación. Permita motor y silenciador para ponerse frío antes de tocar.
	PELIGRO— GIRANDO HOJAS Para reducir el riesgo de herida, guarde manos y pies lejos. No funcione a menos que la tapa de descarga o el receptor de hierba estén en su lugar apropiado. De ser dañado, sustituya inmediatamente.





**⚠ ADVERTENCIA**

Use esta página como guía para determinar en qué pendientes no puede operar el tractor de manera segura.

No opere la cortadora de césped en dichas pendientes. No corte en inclinaciones mayores de 15 grados (elevación aproximada de 2 1/2 pies por cada 10 pies). El tractor corta césped podría voltearse y causar lesiones graves. En las pendientes opere con los tractores corta-césped hacia arriba y abajo, nunca de forma transversal.

# ETIQUETAS DE SEGURIDAD

**DANGER**

**ROTATING BLADES CAUSE SERIOUS INJURY OR DEATH**

- DO NOT MOW WHEN CHILDREN OR OTHERS ARE AROUND
- NEVER CARRY CHILDREN EVEN WITH BLADE(S) OFF.
- LOOK DOWN AND BEHIND BEFORE AND WHILE BACKING.
- MOWING IN REVERSE IS NOT RECOMMENDED.

**WARNING**

**TO AVOID SERIOUS INJURY OR DEATH**

- GO UP AND DOWN SLOPES, NOT ACROSS.
- AVOID SUDDEN TURNS.
- DO NOT OPERATE THE UNIT WHERE IT COULD SLIP OR TIP.
- IF MACHINE STOPS GOING UPHILL, STOP BLADE(S) AND BACK DOWNHILL SLOWLY.
- KEEP SAFETY DEVICES (GUARDS, SHIELDS, AND SWITCHES, ETC.) IN PLACE AND WORKING.
- REMOVE OBJECTS THAT COULD BE THROWN BY THE BLADE(S).
- KNOW LOCATION AND FUNCTION OF ALL CONTROLS.
- BE SURE BLADE(S) AND ENGINE ARE STOPPED BEFORE PLACING HANDS OR FEET NEAR BLADE(S).
- BEFORE LEAVING OPERATOR'S POSITION, DISENGAGE BLADE(S), ENGAGE PARKING BRAKE, SHUT OFF AND REMOVE KEY.

**READ OPERATOR'S MANUAL**

**WARNING**

Operation Of This Equipment May Create Sparks That Can Start Fires Around Dry Vegetation. A Spark Arrestor May Be Required. The Operator Should Contact Local Fire Agencies For Laws Or Regulations To Fire Prevention Requirements.

## ADVERTENCIA

Este símbolo señala a cabo las instrucciones de seguridad importantes que, si no se siguen, podría poner en peligro la seguridad personal y / o la propiedad de sí mismo y los demás. Lea y siga las instrucciones en este manual antes de intentar operar esta máquina. El incumplimiento de estas instrucciones puede resultar en lesiones personales. Cuando vea este símbolo de prestar atención a sus ¡ADVERTENCIA!

**Su Responsabilidad**

Restringir el uso de esta máquina de poder a las personas que leer, comprender y seguir las instrucciones y advertencias en este manual y en la máquina.

**DANGER**

**AVOID SERIOUS INJURY OR DEATH**

- KEEP HANDS AND FEET AWAY FROM ROTATING PARTS
- REMOVE OBJECTS THAT CAN BE THROWN BY THE BLADE IN ANY DIRECTION. WEAR SAFETY GLASSES.
- DO NOT MOW WHEN CHILDREN OR OTHERS ARE AROUND. NEVER CARRY CHILDREN EVEN WITH BLADES OFF.
- USE EXTRA CAUTION ON SLOPES. DO NOT MOW SLOPES GREATER THAN 15°. MOW UP AND DOWN, NOT ACROSS. AVOID SUDDEN TURNS. USE LOW SPEED.

S30018
MAX 15

**READ OPERATOR'S MANUAL. KEEP SAFETY DEVICES IN PLACE AND WORKING.**

**DANGER**

**KEEP HANDS AND FEET AWAY. DO NOT OPERATE MOWER UNLESS CHUTE DEFLECTOR OR ENTIRE GRASS CATCHER IS IN ITS PROPER PLACE.**

S30503

**ASSEMBLE CHUTE DEFLECTOR TO THIS UNIT BEFORE OPERATING.**

**PARKING BRAKE PEDAL**

**NOTICE**

**TO OPERATE:**

- DISENGAGE PARKING BRAKE.
- USE SPEED CONTROL LEVER TO REGULATE GROUND SPEED.

**TO STOP:**

- MOVE SPEED CONTROL LEVER TO NEUTRAL.
- ENGAGE PARKING BRAKE.

I23405 AC

# ASAMBLEA

**IMPORTANTE:** Su tractor se entrega con aceite de motor en el motor. Sin embargo, debe comprobar el nivel de aceite antes de operar. Consulte la sección de Servicio y Mantenimiento para obtener instrucciones sobre la comprobación del nivel de aceite.

## CONEXIÓN DE LOS CABLES DE LA BATERÍA

### ⚠ ADVERTENCIA

#### PROPOSICIÓN 65 DE CALIFORNIA

Postes de la batería, terminales y accesorios relacionados, contienen plomo y compuestos de plomo, sustancias que en el Estado de California por causar cáncer y daños reproductivos. Lávese las manos después de manipular.

### ⚠ PRECAUCIÓN

Cuando conecte los cables de la batería, siempre conecte el positivo (rojo) de alambre a su terminal en primer lugar, seguido por el negativo (Negro) de alambre.

Por razones de envío, tanto de cables de la batería de su equipo se han quedado desconectado de los terminales en la fábrica. Para conectar los cables de la batería, haga lo siguiente:

**NOTA:** La terminal de Pos positivo de la batería está marcada (+). El terminal negativo de la batería está marcada Neg. (-).

1. Quite la cubierta de plástico, si está presente, desde el terminal positivo de la batería y conectar el cable rojo al terminal positivo de la batería (+) con el perno y tuerca hexagonal. Véase la figura 1.

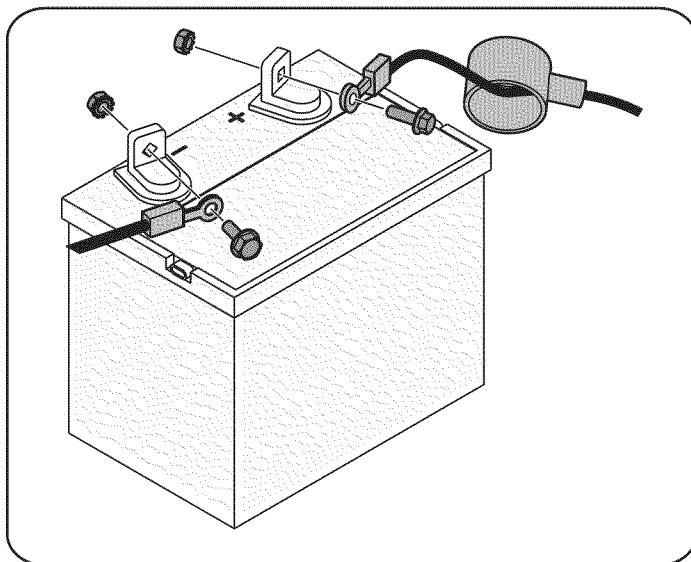


Figura 1

2. Quite la cubierta de plástico, si está presente, desde el terminal negativo de la batería y conectar el cable negro al terminal negativo de la batería (-) con el perno y tuerca hexagonal. Véase la figura 1.
3. La posición de la bota de goma roja sobre el terminal positivo de la batería para ayudar a proteger de la corrosión.

**NOTA:** Si la batería se pone en servicio después de la fecha indicada en la parte superior de la batería, cargue la batería como se indica en el Servicio y Mantenimiento de la sección de este manual antes de operar el tractor.

## ENVÍO BRACE ELIMINACIÓN

### ⚠ ADVERTENCIA

Asegúrese de que el motor del tractor cortacésped es, retire la llave de encendido, y poner el freno antes de quitar la llave de envío. Consulte la sección de Operación para obtener instrucciones sobre cómo establecer el freno de estacionamiento.

- Busque la llave de envío, si existe, y la etiqueta de advertencia que acompaña a encontrarse en el lado derecho de la cortadora de césped, entre la tolva de descarga y la plataforma de corte. Véase la figura. 2.

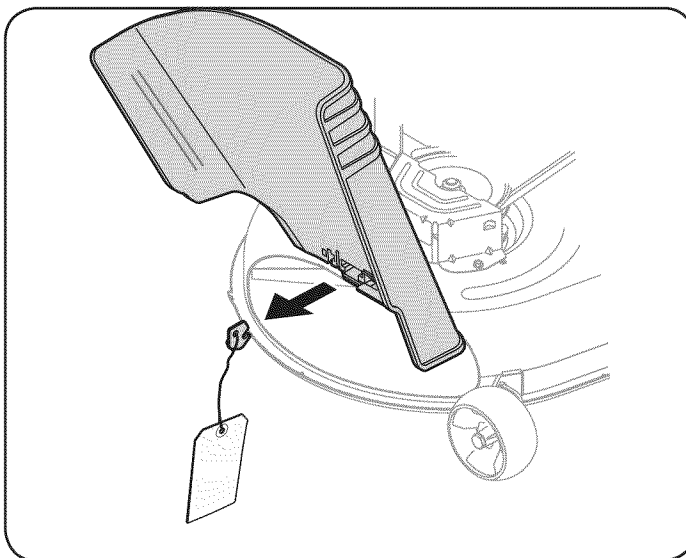


Figura 2

- Coloque la palanca de elevación de cubierta en la posición más alta de corte. Consulte Ajuste de la altura de corte en la sección de Operación de este manual.
- Mientras presiona la tolva de descarga hacia la máquina con la mano izquierda, retire la llave de transporte marítimo con la mano derecha agarrando entre el pulgar y el dedo índice y girando en sentido horario.

### ⚠ ADVERTENCIA

El envío llave, usado para los propósitos únicamente el envasado, debe ser removido y desechado antes de operar su cortacésped.

### ⚠ ADVERTENCIA

La cubierta de la siega es capaz de lanzar objetos. La falta de operar el cortacésped sin la cubierta de descarga en la posición apropiada de operación podría resultar en lesiones personales graves y / o daños a la propiedad.

## QUE UNE EL VOLANTE

Si el volante de su tractor no llegó adjunta, el hardware de la colocación se ha embalado en el volante, por debajo de la tapa del volante. Con cuidado la tapa de la palanca del volante y quitar el hardware.

1. Con las ruedas del tractor, apuntando directamente hacia delante, colocar el volante sobre el eje de dirección.

# ASAMBLEA

- Coloque la arandela (con la parte ahuecada hacia abajo) sobre el volante y segura con el tornillo hexagonal. Véase la figura. 3.

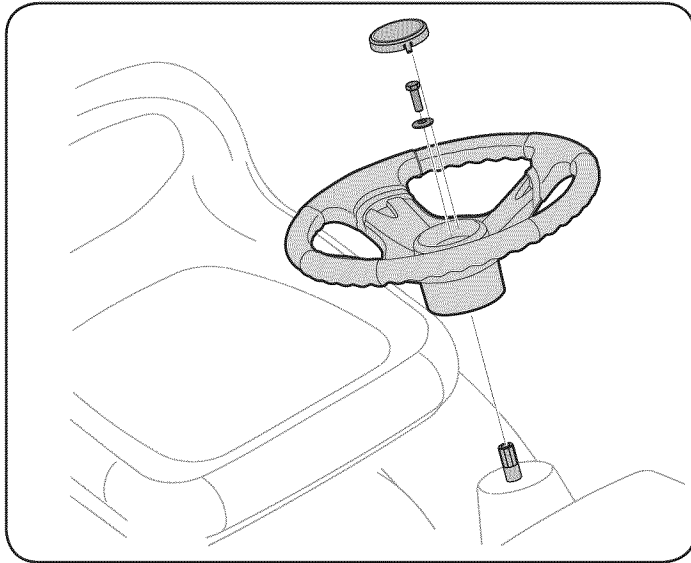


Figura 3

- Coloque la tapa del volante sobre el centro del volante y empuje hacia abajo hasta que "clics" en su lugar.

## COLOCACIÓN DE LA SEDE

NOTA: Por razones de envío, el asiento está bien sujeto al soporte de pivote del asiento del tractor con una abrazadera de plástico, o montados hacia atrás en el soporte de pivote. En cualquier caso, libere el asiento de su posición de envío teniendo cuidado de no doble ni retuerza el cable de alimentación y siga las instrucciones abajo para fijarla.

- Retire los dos tornillos de cabeza hexagonal y las tuercas de la sede soporte de pivote.
- Alinear los agujeros delanteros del asiento con el soporte de montaje los orificios del soporte de pivote del asiento de su tractor y seguro con que quitó los tornillos hexagonales y tuercas. Vea las A en Figuras 4.

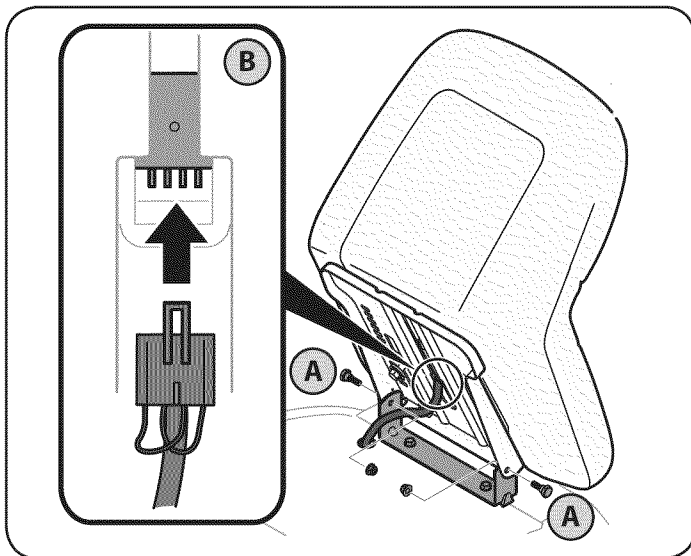


Figura 4

- Conecte el mazo de cables en el interruptor de seguridad del asiento en la parte inferior del asiento, como se muestra en B de la Figura 4.

NOTA: El tractor no funciona con el cable de alimentación desconectado.

## Ajuste del asiento

Para ajustar la posición del asiento, tírelo hacia arriba y sostenga la palanca de ajuste del asiento. Deslice el asiento hacia adelante o hacia atrás a la posición deseada; luego suelte la palanca de ajuste. Asegúrese de que el asiento esté trabado en un tope de asiento antes de operar el tractor.

Vea la Figura 5.

## ⚠ ADVERTENCIA

Antes de operar el tractor, asegúrese de que el asiento esté en-ganchado en el tope del asiento. Coloque el freno de mano. Párese detrás de la máquina y tire del asiento hacia atrás hasta que encaje en su lugar haciendo clic.

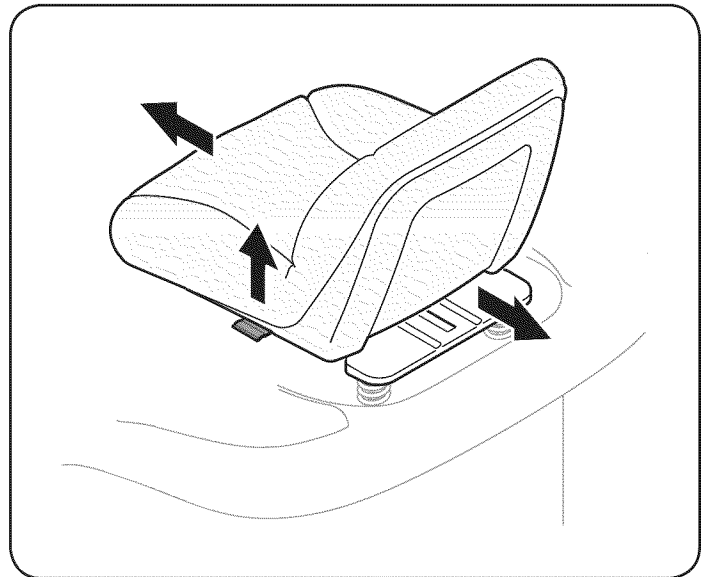


Figura 5

## PRESIÓN DE LAS LLANTAS

### ⚠ ADVERTENCIA

Máxima presión de los neumáticos, en ningún caso es de 30 psi. Igualdad de presión de los neumáticos deben mantenerse en todo momento. No sobrepasar nunca la presión máxima de inflado figuran en el flanco del neumático.

La presión de los neumáticos recomendada de funcionamiento es el siguiente:

- Aproximadamente el 10 psi para los neumáticos traseros
- Aproximadamente el 14 psi para los neumáticos delanteros

**IMPORTANTE:** Refiérase a la pared del neumático para la ISP recomendados o máximos fabricante de neumáticos es exacto. No inflar demasiado. La presión del neumático desigual podría causar que la plataforma de corte para cortar de manera desigual.

# OPERACIÓN

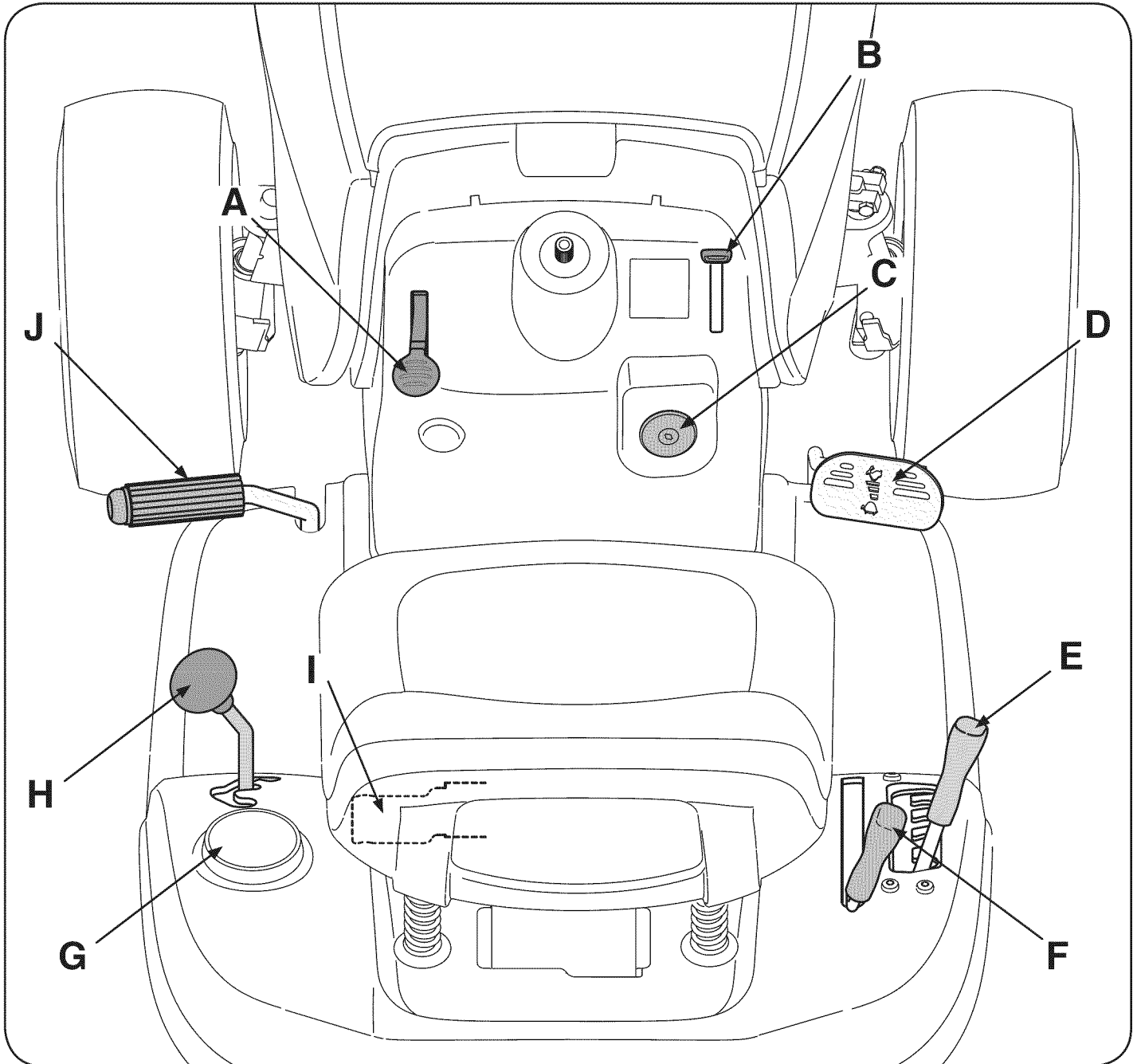


Figure 6

**NOTA:** Cualquier referencia hecha en este manual al lado DERECHO o IZQUIERDO del tractor debe entenderse tal como se observa desde la posición del operador.

## Cumple con los estándares de seguridad de ANSI

Las máquinas quitanieve de Craftsman cumplen con los estándares de seguridad del instituto estadounidense de estándares nacionales (ANSI).

A	Palanca del freno de estacionamiento
B	Acelerador y palanca de control de Choke
C	Ignition Switch Module
D	Auto-disco pedal
E	Levante la palanca de la cubierta
F	Toma de fuerza de palanca (Blade Engage)
G	Portavasos
H	De Velocidad
I	Palanca de ajuste del asiento
J	Pedal de freno

# OPERACIÓN

## FRENO DE ESTACIONAMIENTO

Para ajustar el freno de estacionamiento: completamente el pedal de freno. Mover la palanca del freno de estacionamiento en la posición del freno de estacionamiento. Suelte el pedal del freno para que el freno de estacionamiento a participar.

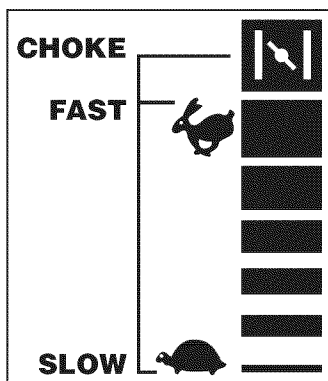
Para liberar el freno de estacionamiento: Presione el pedal de freno y la palanca del freno de estacionamiento se moverá de la posición del freno de estacionamiento por su propia cuenta. El freno de estacionamiento será puesto en libertad. Suelte el pedal de freno.

**NOTA:** El freno de estacionamiento se debe establecer si el operador deja el asiento con el motor en marcha o el motor se apagará automáticamente.

## ACELERADOR Y PALANCA DE CONTROL DE ESTRANGULADOR

El acelerador / cebador palanca de control se encuentra en el lado derecho del panel de instrumentos del tractor. Esta palanca controla la velocidad del motor y, cuando se empuja todo el camino a seguir, el control del estrangulador también. Cuando se pone en una posición determinada, el acelerador será mantener una velocidad uniforme.

**IMPORTANTE:** Cuando opere el tractor con la plataforma de corte comprometido, estar seguros de que la palanca del acelerador está siempre en el FAST (conejo) la posición.

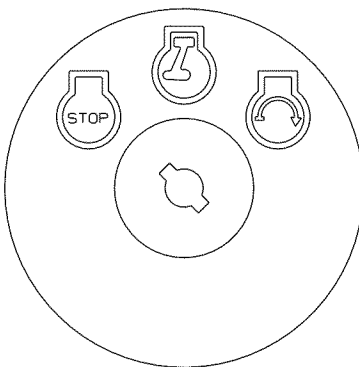


## INTERRUPTOR DE ENCENDIDO

El módulo de interruptor de la llave se utiliza para iniciar y parar el motor. Introduzca la llave en el módulo de interruptor de la llave y gire hacia la derecha a la posición START. Suelte la tecla en la posición de corte normal una vez que el motor ha arrancado. Los faros se activará automáticamente.

Para apagar el motor gire a la izquierda la llave de encendido hasta la posición de STOP.

**IMPORTANTE:** Antes de operar el tractor, se refieren tanto al "Sistema de bloqueo de seguridad" y "Arranque del motor" más adelante en esta sección de este manual para instrucciones detalladas sobre la llave de encendido del módulo.



## LEVANTE LA PALANCA DE LA CUBIERTA

Encontrado en el guardabarros derecho de su tractor, la palanca de levantar la cubierta se usa para cambiar la altura de la plataforma de corte. Para utilizar, mover la palanca a la izquierda, se colocará en la primera categoría más adecuada para su aplicación.

## PTO (BLADE ENGAGE) PALANCA

Encontrado en el guardabarros derecho del tractor, la toma de fuerza (hoja de participar) la palanca se utiliza para poder dedicarse a la plataforma de corte o de otro tipo (disponible por separado) los archivos adjuntos. Para operar, mueva la palanca de todo el camino a seguir. Moviendo la palanca hacia atrás, todo el camino hacia la posición OFF PTO desconecta de alimentación a la plataforma de corte / archivo adjunto.

**NOTA:** La toma de fuerza (hoja de participar) de la palanca debe estar en la desembragar (PTO OFF) cuando la posición de arrancar el motor.

## PORTAVASOS

Titular de la taza del tractor se encuentra en el guardabarros a la izquierda del asiento.

## AUTO-UNIDAD DE PEDAL

La unidad de pedal se encuentra en el lado derecho del tractor, a lo largo del estribo. Presione el pedal hacia delante la unidad y el tractor se mueve en la dirección que la palanca de cambios está comprometido pulgadas a causar que el tractor para viajar hacia adelante, mientras que a una parada completa, mueva la palanca de cambios en la posición delantera. Poco a poco, paso en la unidad de pedal y el tractor comenzará a avanzar. Para moverse en reversa, siga el mismo procedimiento, sólo mover la palanca de cambios en la posición inversa.

La velocidad de tierra se controla con la unidad de pedal. Lo más adelante que el pedal se giró, el más rápido, el vehículo de viaje. El pedal volverá a su posición original cuando no está deprimido. Consulte la sección de Operación de este manual para instrucciones detalladas sobre la unidad de pedal.

**IMPORTANTE:** Siempre ponga el freno de estacionamiento al salir del tractor sin vigilancia.

## PALANCA DE AJUSTE DEL ASIENTO

La palanca de ajuste del asiento se encuentra debajo de la parte frontal / izquierda del asiento. La palanca permite el ajuste de la parte delantera y la posición longitudinal del asiento. Consulte la sección de la Asamblea del manual para obtener instrucciones más detalladas para ajustar la posición del asiento.



## ⚠ ADVERTENCIA

Nunca deje a un equipo que ejecuta sin supervisión. Siempre desconecte toma de fuerza, palanca de cambio se ponga en posición neutral, el freno de mano, apague el motor y quite la llave para evitar el arranque no deseado.

# OPERACIÓN

## EMBRAGUE-PEDAL DE FRENO

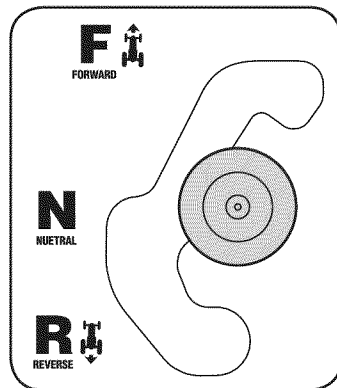
EL embrague-pedal del freno está situado en el lado izquierdo del tractor de césped, a lo largo del estribo. Pisar el embrague-pedal de freno para la participación del disco de freno y llevar el tractor a una parada completa.

**NOTA:** El pedal debe ser presionada para encender el motor. Consulte Interruptores de enclavamiento de seguridad más adelante en esta sección de este manual.

## LA PALANCA DE CAMBIO

LA palanca de cambios está situada en el lado izquierdo de la defensa y tiene tres posiciones, FORWARD, neutral y REVERSE. El embrague-pedal de freno debe estar deprimido y el tractor no debe estar en movimiento cuando la palanca de cambios en movimiento.

**IMPORTANTE:** Nunca fuerce la palanca de cambios. Si lo hace, puede resultar en graves daños a la transmisión del tractor.



## CARGA DE ACEITE Y GASOLINA

### Aceite

**IMPORTANTE:** Su tractor se envía con aceite en el motor. Sin embargo, usted DEBE controlar el nivel de aceite antes de hacerlo funcionar. Vea la sección "Servicio y Mantenimiento".

### Gasolina

#### ⚠ ADVERTENCIA

Tenga mucho cuidado al trabajar con gasolina. La gasolina es sumamente inflamable y sus vapores pueden causar explosiones. Nunca cargue combustible en la máquina en un espacio cerrado o cuando el motor está caliente o en marcha. Apague cigarrillos, cigarras, pipas y otras fuentes de combustión.

**NOTA :** Compre gasolina en pequeñas cantidades. No use gasolina que haya quedado de la temporada anterior, para minimizar la formación de depósitos de goma en el sistema de combustible.

- Este motor está habilitado para funcionar con gasolina sin plomo. Para obtener el mejor resultado, llene el depósito de combustible únicamente con gasolina sin plomo limpia y fresca, en un surtidor que indique un octanaje igual a 87 o más.
- El gasohol (hasta 10% de alcohol etílico, 90% de gasolina sin plomo por volumen) es un combustible aprobado. No se aprueba el uso de otras mezclas de gasolina/alcohol, como E85.
- El éter metílico terciario-butílico (MTBE) y las mezclas de gasolina sin plomo (hasta un máximo de 15% de MTBE por volumen) son combustibles aprobados. No se aprueba el uso de otras mezclas de gasolina/éter.

- Llenar el depósito de combustible al aire libre o en lugar bien ventilado.
- Nunca llene en exceso el depósito de combustible. Llene el tanque no más de 1/2 pulgada por debajo de la base del cuello del tapón de carga, para dejar espacio para la expansión del combustible.
- Nunca saque la tapa del combustible ni agregue combustible mientras el motor está caliente o en marcha. Deje que el motor se enfríe por lo menos dos minutos antes de volver a cargar combustible.
- Limpie el combustible que se haya derramado sobre el motor y el equipo. Traslade la máquina a otra zona. Espere 5 minutos antes de encender el motor.

### Para agregar gasolina

1. Apague el motor y deje que el motor se enfríe por lo menos 2 minutos antes de remover la tapa del combustible. El tanque de gasolina se encuentra debajo del capó. Retire la tapa del combustible girando hacia la izquierda.
2. Llene el tanque de combustible con gasolina. Utilice sólo limpia y fresca (no más de 30 días de edad), la gasolina sin plomo. Llene el tanque no pulgada más de 1/2 debajo de la base del cuello de llenado para dejar espacio para la expansión del combustible.
3. Vuelva a colocar la tapa del combustible.

**IMPORTANTE:** No llene demasiado el tanque. Llene el tanque no pulgada más de 1/2 debajo de la base del cuello de llenado para dejar espacio para la expansión del combustible. Véase la figura. 7.

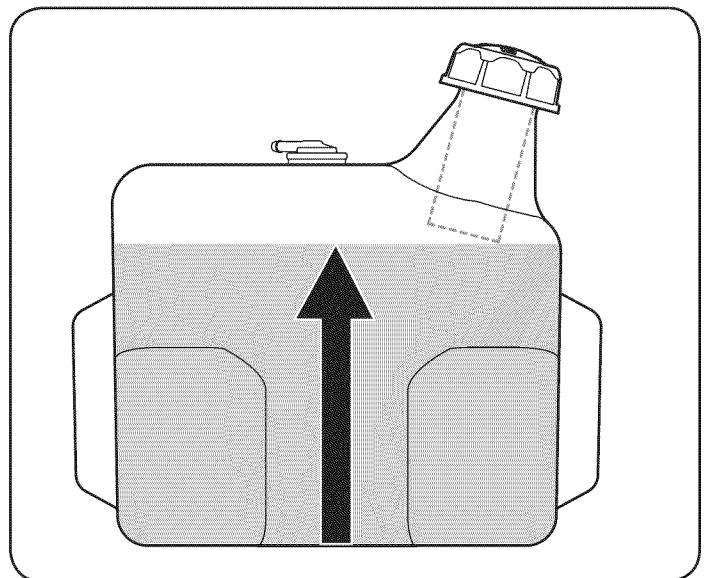


Figura 7

# OPERACIÓN

## ⚠ ADVERTENCIA

### Evite lesiones personales graves o la muerte

- En las pendientes conduzca hacia arriba y hacia abajo, no de forma transversal.
- Evite maniobras de giro bruscas.
- No opere la unidad en áreas donde puede derrapar o ladearse.
- Si la máquina deja de subir la pendiente detenga las cuchillas y retroceda lentamente bajando la pendiente.
- No corte el césped cuando haya niños u otras personas cerca.
- Nunca transporte niños, ni siquiera si las cuchillas están desconectadas.
- Mire hacia abajo y hacia atrás antes y mientras opera en marcha atrás.
- Mantenga todos los dispositivos de seguridad (protecciones, escudos e interruptores) en su lugar y en correcto funcionamiento.
- Retire los objetos que puedan ser arrojados por las cuchillas en cualquier dirección.
- Conozca la ubicación y función de todos los controles.
- Asegúrese de que las cuchillas y el motor se detengan antes de colocar las manos o los pies cerca de las cuchillas.
- Antes de abandonar la posición del operador, dejar de tractor, desenganche las cuchillas, coloque el freno de mano, apague el motor y retire la llave.

**Lea el manual del operador**

## SISTEMA DE BLOQUEO DE SEGURIDAD

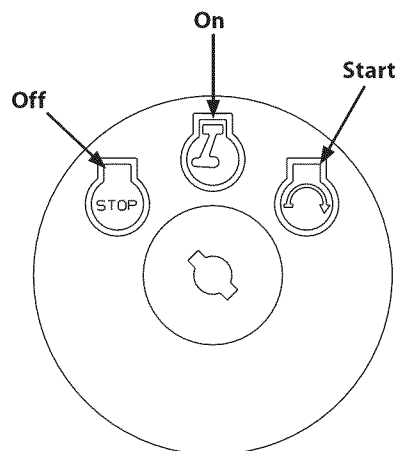
El sistema de bloqueo de seguridad está diseñado para la operación segura del tractor. Si este sistema nunca deja de funcionar correctamente, no opere el tractor, contacte inmediatamente con su Sears Parts & Repair Service Center.

- El sistema de bloqueo de seguridad impide el arranque del vehículo a menos que el freno de estacionamiento y se dedica a la toma de fuerza (Blade Engage) palanca está en la posición OFF desconectado posición ().
- El sistema de bloqueo de seguridad se apagará automáticamente el motor si el operador deja el asiento antes de iniciar el freno de estacionamiento.
- El sistema de bloqueo de seguridad se apagará automáticamente el motor cuando el operador abandona su asiento del tractor con la toma de fuerza (Blade Engage) palanca comprometido, independientemente de si está activado el freno de estacionamiento.

## INTERRUPTOR DE ENCENDIDO

El interruptor de encendido se activa al arrancar el motor. Inserte la llave en el interruptor de encendido y gire a la derecha a la posición START. Suelte la llave en la posición de encendido una vez que el motor se ha disparado.

Para detener el motor, gire la llave de encendido a la posición OFF.



## ⚠ WARNING

Never leave a running machine unattended. Always disengage PTO, move shift lever into neutral position, set parking brake, stop engine and remove key to prevent unintended starting.

## ACCIONADO EL FRENO DE ESTACIONAMIENTO

### Para activar el freno de estacionamiento:

1. Completamente el pedal de freno y mantenga hacia abajo con el pie.
2. Mover la palanca del freno de estacionamiento hasta el fondo y en el freno de estacionamiento (ON) la posición.
3. Suelte el pedal del freno para que el freno de estacionamiento a participar.

### Para liberar el freno de estacionamiento:

1. Presione el pedal de freno y mover la palanca del freno de estacionamiento fuera del freno de estacionamiento (ON) la posición y en la posición OFF.

## AJUSTE DE LA ALTURA DE CORTE

1. Seleccione la posición de altura de la plataforma de corte mediante la colocación de la palanca de levantar la cubierta en cualquiera de los diferentes muescas altura de corte en el lado derecho de la defensa.
2. Ajuste de las ruedas de cubierta para que se entre ¼ pulgadas y ½ pulgada por encima del suelo cuando el tractor se encuentra en una superficie lisa, plana como una entrada.
  - a. Ajustar las ruedas de cubierta mediante la eliminación de la tuerca de la brida y tornillo que sujeta el hombro de cada rueda y llevarlos a uno de los agujeros que permite que las ruedas para estar entre ¼ pulgadas y ½ pulgada por encima del suelo cuando el tractor se encuentra en un suave, superficie plana, como un camino de entrada. Véase la figura. 8.



# OPERACIÓN

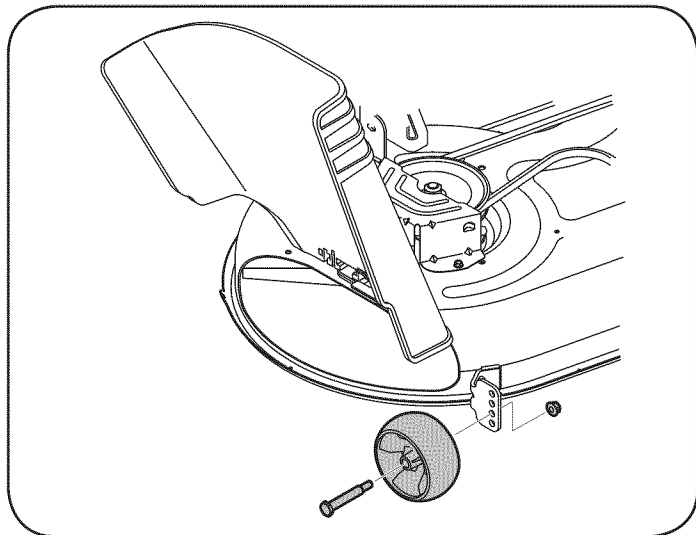


Figura 8

## ⚠ ADVERTENCIA

Mantenga las manos y pies de distancia de la abertura de descarga de la plataforma de corte.

**NOTA:** Las ruedas de la cubierta son una función anti-cuero cabeludo de la cubierta y no están diseñados para soportar el peso de la plataforma de corte. Consulte la nivelación en la sección de Servicio y Mantenimiento de este manual para instrucciones más detalladas sobre los ajustes de cubierta diferentes.

## ARRANQUE DEL MOTOR

## ⚠ ADVERTENCIA

No haga funcionar el tractor, si el sistema de bloqueo no funciona correctamente. Este sistema fue diseñado para su seguridad y protección.

**NOTA:** Refiérase a la gasolina y el aceite hasta completar las instrucciones anteriormente en esta sección.

1. Inserte la llave del tractor en el interruptor de encendido.
2. Colocar la toma de fuerza (Blade Engage) palanca en la posición OFF desconectado posición.
3. El freno de estacionamiento del tractor.
4. Active el control del estrangulador.
5. Gire a la izquierda la llave de encendido a la posición inicial. Después de que el motor arranque, suelte la tecla. Se volverá a la ON (Normal o cortar el césped) posición.

## ⚠ ADVERTENCIA

NO tienen la llave en la posición inicial durante más de diez segundos a la vez. Si lo hace puede causar daños al motor de arranque eléctrico del motor.

6. Después de que el motor arranque, desactivar el control del estrangulador y coloque el control del acelerador en la posición de FAST.

**NOTA:** NO deje el control del estrangulador en durante el funcionamiento del tractor. Si lo hace, dará lugar a una mezcla "rica" de combustible y causar que el motor funcione mal.

## PARO DEL MOTOR

## ⚠ ADVERTENCIA

Si se golpea un objeto extraño, detenga el motor, desconecte el cable de la bujía (s) y tierra contra el motor. Inspeccionar cuidadosamente el equipo de los daños. Reparación de los daños antes de reiniciar y de funcionamiento.

1. Si se dedican a las hojas, colocar la toma de fuerza (Blade Engage) palanca en la posición OFF desconectado posición.
2. Gire a la izquierda la llave de encendido a la posición STOP.
3. Retire la llave de la llave de encendido para evitar el arranque no deseado.

## LA CONDUCCIÓN DEL TRACTOR

## ⚠ ADVERTENCIA

Evite comienza pronto, el exceso de velocidad y paradas bruscas.

## ⚠ ADVERTENCIA

No deje el asiento del tractor, sin colocar la toma de fuerza (Blade Engage) palanca en la posición OFF desembragar ( ) posición, presionando el pedal de freno y accionado el freno de estacionamiento. Si no puede salir del tractor sin vigilancia, también a su vez la llave de encendido apagado y quitar la llave.

## ⚠ ADVERTENCIA

Siempre mire hacia abajo y detrás antes y durante la copia de seguridad para evitar la copia de más de un accidente.

1. Pisar el embrague-pedal de freno para liberar el freno de estacionamiento y dejar que el pedal.
2. Mover la palanca del acelerador en el FAST (conejo) la posición.
3. Coloque la palanca de cambios tanto en la posición inversa o FORWARD.

**IMPORTANTE:** NO intente cambiar la dirección de la marcha cuando el tractor esté en movimiento. Siempre lleve el tractor a una parada completa antes de mover la palanca de control de velocidad hacia adelante a atrás o viceversa. El no hacerlo podría resultar en serios daños a la transmisión de su tractor.

4. Poco a poco comienzan a ejercer presión en la unidad de pedal. Cuanto más abajo el pedal se empuja, más rápido que el tractor se desplazará en la dirección deseada sobre la base de la posición de la palanca de cambios.
5. El tractor de césped es llevado a una parada por la liberación de la unidad de pedal y luego oprimir el pedal de freno.

Al parar el tractor, por cualquier motivo, mientras que en una superficie de hierba, siempre:

1. Coloque la palanca de cambios en punto muerto,
2. Aplique el freno de estacionamiento,
3. Apague el motor y quitar la llave. Si lo hace, reducirá al mínimo la posibilidad de que su césped se dore por el escape caliente del motor de su tractor.

## ⚠ ADVERTENCIA

Antes de abandonar la posición del operador por cualquier razón, separar las hojas, poner la palanca de control de velocidad en neutral, ponga el freno de estacionamiento, parada motor apagado y quitar la llave.

# OPERACIÓN

## CONDUCCIÓN EN LAS LADERAS

Refieren al ancho de la pendiente en la seguridad de las prácticas de operación importante sección del manual para ayudar a determinar zonas de ladera donde puede operar el tractor con total seguridad.

### ADVERTENCIA

No corte el césped en pendientes con una inclinación de más de 15 grados (un aumento de aproximadamente 2-1/2 pies cada 10 pies). El tractor puede volcar y causar lesiones graves.

- Corte el césped y las pendientes, nunca transversal.
- Tenga extrema precaución al cambiar de dirección en las pendientes.
- Watch para los agujeros, grietas, baches, piedras u otros objetos ocultos. Terreno irregular puede revertir la máquina. El césped alto puede ocultar obstáculos.
- Evite girar cuando se circula por una pendiente. Si una vez, debe hacerse, a su vez por la pendiente. El regreso de una pendiente aumenta la posibilidad de un roll over.
- Evite detenerse cuando se conduce por una pendiente. Si es necesario detener mientras se conduce por una pendiente, puesta en marcha sin problemas y con cuidado para reducir la posibilidad de voltear el tractor hacia atrás.

## INVOLUCRAR A LOS BLADES

Participación de la toma de fuerza (Blade Engage) las transferencias de energía a la plataforma de corte o de otro tipo (disponible por separado) los archivos adjuntos. Para participar de las hojas, haga lo siguiente:

1. Mover la palanca de control del acelerador a la rápida (conejo) la posición.
2. Sujete la toma de fuerza (Blade Engage) y girar la palanca de todo el camino a seguir a los novios (ON) la posición.
3. Mantenga la palanca del acelerador en el FAST (conejo) la posición para el uso más eficiente de la plataforma de corte o de otro tipo (disponible por separado) los archivos adjuntos.

**NOTA:** El motor se apagará automáticamente si la toma de fuerza está comprometido con la palanca de cambios en la posición de marcha atrás con la llave de encendido en la posición ON.

## USO DE LA CUBIERTA DE LEVANTE LA PALANCA DE

Para elevar la plataforma de corte, mover la palanca de elevación de cubierta a la izquierda, luego se coloca en la ranura más adecuada para su aplicación. Consulte Ajuste la altura de corte anteriormente en esta sección.

# OPERACIÓN

## CORTAR

### ADVERTENCIA

Para ayudar a evitar el contacto con la cuchilla o una lesión en el objeto lanzado, Mantenga a los espectadores, los ayudantes, los niños y las mascotas por lo menos 75 pies de distancia de la máquina mientras está en funcionamiento. Parada de la máquina, si alguien entra en el área.

La siguiente información será útil cuando se utiliza la plataforma de corte con su tractor:

### ADVERTENCIA

Plan de su patrón de corte para evitar la descarga de materiales hacia las carreteras, aceras, transeúntes, etc. Además, evite material que se descarga contra una pared o una obstrucción que puede causar alta material a rebotar hacia el operador.

- No corte el césped a la velocidad de terreno elevado, especialmente si se ha instalado un kit de mantillo o colector de césped.
- Para obtener los mejores resultados se recomienda que las dos primeras vueltas se cortará con la aprobación de la gestión arrojado hacia el centro. Tras las dos primeras vueltas, invertir el sentido de lanzar la descarga hacia el exterior de la balanza de corte. Esto le dará una mejor apariencia al césped.
- No corte el césped demasiado corto. Pasto corto invita crecimiento de malas hierbas y los amarillos con rapidez en el tiempo seco.
- Cortar el césped siempre se debe hacer con el motor a todo gas.
- Bajo las condiciones más pesadas, puede ser necesario volver sobre la zona del corte por segunda vez para obtener un corte limpio.
- NO intente cortar espesa maleza y malas hierbas y el pasto muy alto. Su tractor está diseñado para cortar el césped, un cepillo no está claro.
- Mantenga las cuchillas afiladas y sustituir las cuchillas en caso de desgaste. Consulte Hojas de corte en el servicio y la sección Mantenimiento de este manual de instrucciones de afilar la hoja adecuada.

## FAROS

- Las lámparas están ON cuando el motor del tractor se está ejecutando.
- Las luces se apaga cuando la llave de contacto se mueve a la posición STOP.

# SERVICIO Y MANTENIMIENTO

## LISTA DE MANTENIMIENTO

### ⚠ ADVERTENCIA

Antes de realizar cualquier tipo del mantenimiento/servicio, suelte todos los mandos y pare el motor. Espere hasta que todas las partes de movimiento hayan venido a una parada completa. Desconecte el alambre de bujía y béselo contra el motor para prevenir el comienzo involuntario. Siempre lleve puestos cristales inastillables durante la operación o realizando cualquier ajuste o reparaciones.

Siga la lista de mantenimiento dada abajo. Esta carta describe pautas de servicio sólo. Use la columna de Tronco de Servicio para guardar la pista de tareas de mantenimiento completadas.

**Localizar el más cercano Chamusca el Centro de Servicio o programar el servicio, simplemente ponerse en contacto Chamusca en 1-800-4-MY-HOME®.**

Intervalo	Artículo	Servicio	Tronco de Servicio
Antes de cada uso	<ol style="list-style-type: none"> <li>Nivel del aceite de motor</li> <li>Silenciador zona y los controles</li> <li>Dedo de la mano de guardia</li> </ol>	<ol style="list-style-type: none"> <li>Comprobar</li> <li>Limpie</li> <li>Limpie</li> </ol>	
Los primeros cinco horas	<ol style="list-style-type: none"> <li>El aceite del motor</li> </ol>	<ol style="list-style-type: none"> <li>Cambie</li> </ol>	
Cada 10 horas	<ol style="list-style-type: none"> <li>El capó/los respiraderos</li> <li>Los bornes de la batería</li> <li>Los husillos y la ménsula intermedia de la plataforma</li> </ol>	<ol style="list-style-type: none"> <li>Limpie</li> <li>Limpie</li> <li>Lubrique</li> </ol>	
Cada 25 horas	<ol style="list-style-type: none"> <li>El depurador del filtro de aire*</li> <li>Filtro de aire*</li> <li>Los brazos de mando intermedios, ejes del pivote y ejes</li> <li>Los rodamientos de las ruedas delanteras</li> <li>Las ruedas delanteras de la plataforma</li> </ol>	<ol style="list-style-type: none"> <li>Limpie</li> <li>Limpie</li> <li>Lubrique</li> <li>Lubrique</li> <li>Lubrique</li> </ol>	
Cada 50 horas	<ol style="list-style-type: none"> <li>El aceite del motor/ el filtro de aceite</li> <li>Silenciador</li> </ol>	<ol style="list-style-type: none"> <li>Cambie/ reemplace</li> <li>Comprobar</li> </ol>	
Anualmente	<ol style="list-style-type: none"> <li>Filtro de aire</li> <li>El depurador del filtro de aire</li> <li>Bujía</li> <li>Sistema de refrigeración por aire *</li> <li>Filtro de combustible</li> <li>Directivo Engranajes</li> <li>Ruedas traseras</li> </ol>	<ol style="list-style-type: none"> <li>Reemplace</li> <li>Reemplace</li> <li>Reemplace</li> <li>Limpie</li> <li>Reemplace</li> <li>Limpie</li> <li>Quite la grasa y los ejes</li> </ol>	
Antes de Almacenaje	<ol style="list-style-type: none"> <li>El capó/los respiraderos</li> <li>Los bornes de la batería</li> <li>Los brazos de mando intermedios, ejes del pivote y ejes</li> <li>Los rodamientos de las ruedas delanteras</li> <li>Las ruedas delanteras de la plataforma</li> <li>Los husillos y la ménsula intermedia de la plataforma</li> <li>Los puntos de pivote del pedal</li> </ol>	<ol style="list-style-type: none"> <li>Limpie</li> <li>Limpie</li> <li>Lubrique</li> <li>Lubrique</li> <li>Lubrique</li> <li>Lubrique</li> <li>Lubrique</li> </ol>	

\* Realice el servicio más frecuentemente cuando haya mucho polvo.

### ⚠ ADVERTENCIA

Antes de realizar tareas de mantenimiento o reparaciones, desconecte la potencia de arranque (PTO), coloque el freno de mano, apague el motor y retire la llave, para evitar el encendido accidental del motor.

### ⚠ ADVERTENCIA

Si el motor se ha puesto en funcionamiento recientemente, el motor, silenciador y las superficies metálicas circundantes estarán calientes y pueden causar quemaduras a la piel. Tenga precaución para evitar quemaduras.

# SERVICIO Y MANTENIMIENTO

## MANTENIMIENTO DEL MOTOR

### Comprobar el aceite del motor

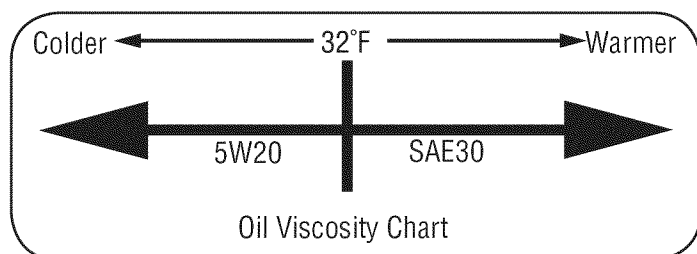
Sólo el uso de aceite de alta detergente se evaluó la calidad con la clasificación de servicio API

SF, SG, SH, o SJ. Seleccione el aceite de grado de viscosidad SAE de acuerdo con

de la temperatura de funcionamiento. Siga la tabla de abajo.

Aunque varios de los aceites de viscosidad (5W20, 10W30, etc) mejorar la partida

en clima frío, que se traducirá en el consumo de petróleo aumenta cuando



utilizado por encima de 32 ° F. Revise el nivel de aceite del motor con más frecuencia para evitar la

posibles daños en el motor de agotarse el petróleo.

Para comprobar el aceite del motor, siga estos pasos:

1. Asegúrese de que el tractor se encuentra en una superficie plana.
2. Limpie el área de llenado de aceite de cualquier residuo.

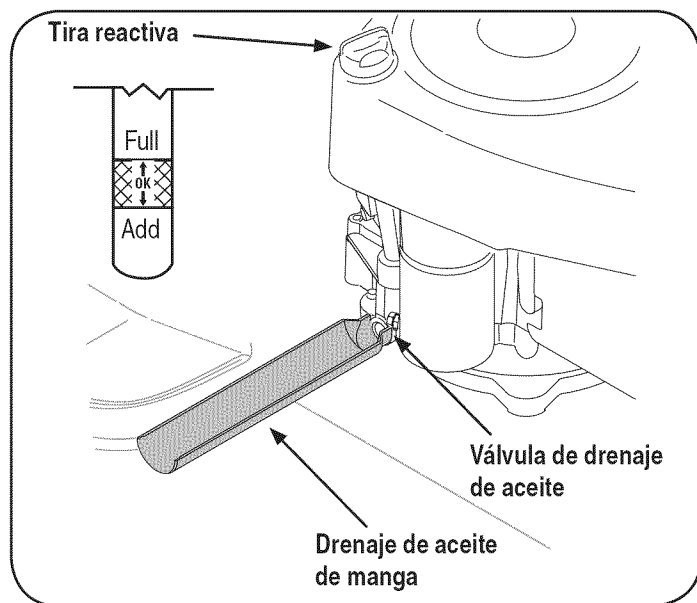


Figura 11

3. Retire la varilla y limpiar con un paño limpio.
4. Inserte y apriete varilla.
5. Retire la tira reactiva y de comprobar el nivel de aceite. Debe ser por la marca de lleno en la varilla. Ver Figura 11.
6. Si está bajo, agregue el aceite poco a poco en el aceite del motor de relleno. No llene demasiado. Después de agregar el aceite, espere un minuto y luego vuelva a comprobar el nivel de aceite.
7. Ponga y ajuste con tira reactiva.

## ⚠ PRECAUCIÓN

No llene demasiado. Llenado excesivo de aceite puede provocar que el motor no empiece, difícil de partida, o fumar motor. Si más de la marca FULL en la varilla, el aceite de drenaje para reducir el nivel de aceite en FULL marca en la varilla de medición.

### Cambio de aceite de motor

El aceite del motor debe ser cambiado en las primeras 5 horas y luego cada 50 horas o una vez por temporada. Para cambiar el aceite del motor, siga estos pasos:

1. Con el motor apagado pero aún caliente, desconecte el cable de la bujía y manténgalo alejado de la bujía.
2. Retire la tapa de llenado de aceite / varilla medidora del tubo de llenado de aceite. Ver Figura 12.
3. Clip de la manga de drenaje de aceite (empaquetado con este manual) en el puerto de drenaje de aceite. Ruta de el extremo opuesto de la manga en un recipiente apropiado de recolección de aceite con una gran capacidad suficiente para recoger el aceite usado.
4. Retire el tapón de desagüe y drenaje de aceite en un recipiente adecuado con una capacidad de no menos de 64 oz
5. Realizar los pasos anteriores en el orden inverso, después del petróleo ha terminado la evacuación.
6. Vuelva a llenar el motor con el aceite de motor nuevo hasta el nivel de aceite en la varilla dice FULL. Vuelva a colocar la tapa de llenado de aceite / varilla de medición.

## ⚠ PRECAUCIÓN

El aceite usado es un producto de residuos peligrosos. Deseche el aceite usado correctamente. No desechar con los residuos domésticos. Consulte con las autoridades locales o Sears Centro de Servicio para la eliminación segura / instalaciones de reciclaje.

## ⚠ PRECAUCIÓN

El aceite usado es un producto de residuos peligrosos. Deseche el aceite usado correctamente. No desechar con los residuos domésticos. Consulte con las autoridades locales o Sears Centro de Servicio para la eliminación segura / instalaciones de reciclaje.

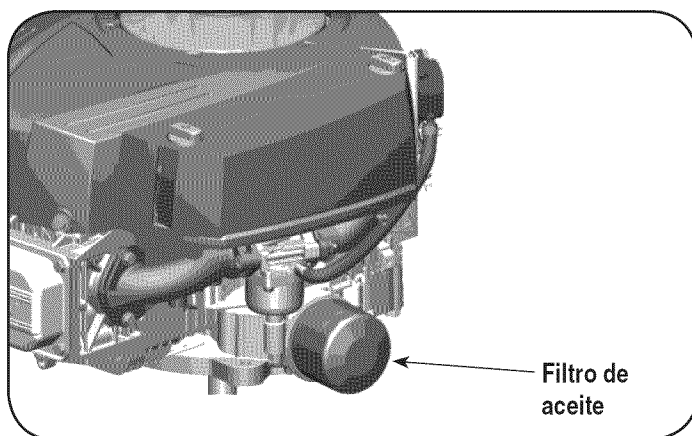


Figura 12

# SERVICIO Y MANTENIMIENTO

## Fuel Filter

- Mantenga la gasolina lejos de chispas, llamas, luces piloto, el calor, y otras fuentes de ignición.
- Compruebe las líneas de combustible, el tanque, la tapa y los accesorios con frecuencia para detectar rajaduras o escapes. Reemplazar si es necesario.
- Antes de reemplazar el filtro de combustible, vaciar el tanque de combustible según las instrucciones de abajo.
- No fuga de combustible cuando el motor está caliente. Deje que el motor de tiempo adecuado para enfriar. Evacuar el combustible en un recipiente aprobado al aire libre, lejos de llamas abiertas.
- Cualquier fuga de gran volumen de combustible desde el depósito de desconectar la línea de combustible del filtro en la línea de combustible cerca del motor.
- Quite la línea de combustible de la LN-lado de la línea (lado hacia el tanque de combustible) del filtro de combustible.
- Las piezas de recambio debe ser la misma e instalados en la misma posición que las piezas originales.
- Si se derrama combustible, espere hasta que se evapora antes de arrancar el motor.
- Antes de reemplazar el filtro de combustible, vaciar el tanque de combustible. De lo contrario, el combustible puede filtrarse y provocar un incendio o una explosión.

### Para drenar el combustible:

1. Localice el filtro de combustible, que se transfieren en el lado izquierdo del motor entre el tanque de combustible y el carburador, y puede ser conectado al motor con una correa de empate. Cortar la correa de la corbata, si está presente, entonces emergente en la abrazadera en línea en el filtro de combustible con un par de alicates, deslice la abrazadera de la línea de combustible. Quite la línea de combustible en la línea y la fuga de combustible en un recipiente aprobado.

### Para cambiar el filtro de combustible:

1. Use pinzas para apretar las pestañas de la abrazadera (el lado de la línea de fuera del filtro de combustible), a continuación, deslice la abrazadera lejos del filtro de combustible. Twist y tirar de la línea de combustible fuera del filtro de combustible. Véase la figura 13.
2. Compruebe las líneas de combustible para las grietas o fugas. Reemplazar si es necesario.

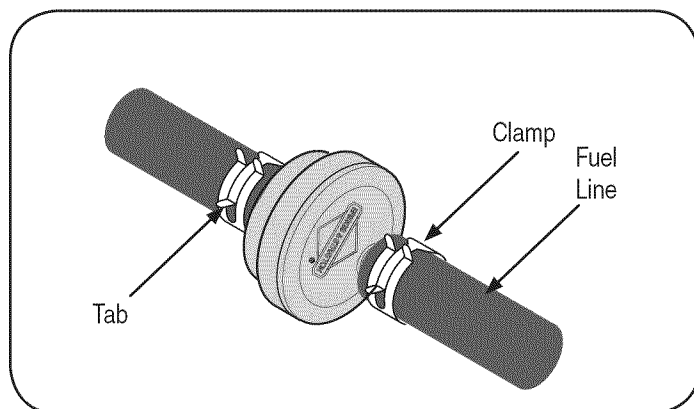


Figura 13

3. Reemplace el filtro de combustible con un original filtro de reemplazo de equipo. Contacto Sear's al 1-800-4-MY-HOME® para comprar el original de filtro de reemplazo del equipo.
4. Asegure las líneas de combustible con las pinzas.

## LIMPIADOR DE AIRE

### ⚠ ADVERTENCIA

Si los filtros, o cubiertas no están instalados correctamente lesiones graves o la muerte podría deberse a fracasar. No trate de encender el motor con las retiren.

### ⚠ PRECAUCIÓN

No use aire comprimido o disolventes para limpiar el cartucho del filtro de aire.

El sistema de filtro de aire utiliza un cartucho cilíndrico. Este modelo también incluye un pre-limpiador que se pueden lavar y reutilizar.

1. Retire los sujetadores (A) y el filtro de aire (B). Ver Figura 14.
2. Para quitar el filtro (C), levante el extremo del filtro y luego tire el filtro fuera de la ingesta (D).

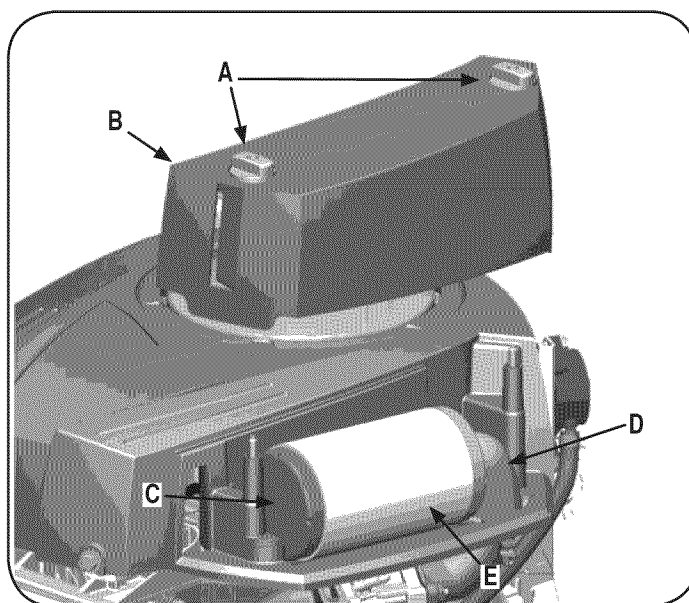


Figura 14

3. Quite el pre-filtro (E), si está equipado, desde el filtro.
4. Para aflojar los desechos, golpear suavemente el filtro en una superficie dura. Si el filtro está muy sucio, cámbielo por un nuevo filtro.
5. Lavar el pre-limpiador de detergente líquido y agua. Luego, le permiten a fondo el aire seco. No de petróleo de la pre-limpia.
6. Montar el pre tintorería al filtro.
7. Instalar el filtro en la ingesta. Presione el extremo del filtro en la base como se muestra. Asegúrese de filtro encaja de forma segura en la base.
8. Instalar filtro de aire y segura con los sujetadores.

# SERVICIO Y MANTENIMIENTO

## Bujía

1. Limpie el área alrededor de la base de la bujía. No chorro de arena de la bujía. La bujía debe limpiarse por raspado o cepillo de alambre y el lavado con un disolvente comercial de
2. Retirar e inspeccionar la bujía. Brecha Asegúrese de que se ha fijado en .030 ". Ver Figura 15.

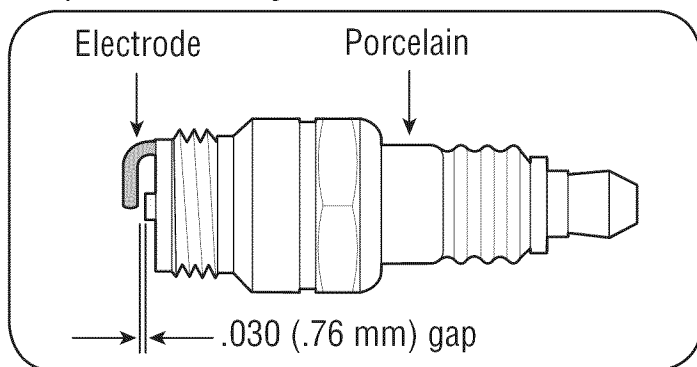


Figura 15

3. Cambiar la bujía (Champion® RC12YC) una vez por temporada.

## Silenciador

### ⚠ ADVERTENCIA

Temperatura del silenciador y áreas cercanas del motor podrá ser superior a 150 ° F (65 ° C). Evite el contacto con estas áreas.

Inspeccione periódicamente el silenciador, y reemplazar si es necesario. Piezas de repuesto para el silenciador debe ser el mismo e instalado en la misma posición que las piezas originales.

## LIMPIEZA DEL MOTOR

### ⚠ PRECAUCIÓN

No utilice agua para limpiar las piezas del motor. El agua puede contaminar el sistema de combustible. Utilice un cepillo o un paño seco.

1. Diariamente o antes de cada uso, limpiar de hierba, paja o desechos acumulados en el motor. Mantener la vinculación, la primavera, y los controles de limpieza.
2. Mantenga el área alrededor y detrás del silenciador libre de cualquier residuo combustible.
3. Mantener limpio el motor permite el movimiento del aire alrededor del motor.
4. Piezas de motor deben mantenerse limpias para reducir el riesgo de sobrecalentamiento y la ignición de los residuos acumulados.

## Carburador de ajuste

- El carburador en este motor no es ajustable.

## LUBRICACIÓN

### ⚠ ADVERTENCIA

Antes de lubricantes, reparación o inspección, siempre desconectar toma de fuerza, palanca de cambio se ponga en posición neutral, el freno de mano, apague el motor y quite la llave para evitar el arranque no deseado.

## Puntos de pivote y Vinculación

Lubricar todos los puntos de giro en el sistema de tracción, freno de estacionamiento y la vinculación levantar al menos una vez al año con aceite de la luz.

## Ruedas traseras

Las ruedas traseras deben retirarse de los ejes de una vez por temporada. Lubricar los ejes y las llantas y todo con un objetivo de grasa antes de volver a instalarlos.

## Frente Ejes

Cada extremo de delante del tractor, la barra de articulación puede estar equipado con un ajuste de la grasa. Lubricar con una pistola de grasa cada 25 horas de funcionamiento del tractor.

## Batería

La batería está sellada y es libre de mantenimiento. Los niveles de ácido no se puede comprobar.

- Siempre mantenga los cables de la batería y los terminales limpios y libres de corrosión en los contenedores.
- Después de la limpieza de la batería y terminales, aplicar una ligera capa de vaselina o grasa a ambas terminales.
- Mantener siempre el cargador de goma colocado sobre el polo positivo para evitar cortocircuitos.

**IMPORTANTE:** Si al quitar la batería por cualquier razón, desconecte el cable negativo (Negro) es el cable de la terminal en primer lugar, seguido por el positivo (rojo) de alambre. Cuando vuelva a instalar la batería, conecte el positivo (rojo) de alambre de su terminal en primer lugar, seguido por el negativo (cable Negro). Asegúrese de que los cables están conectados a los terminales correctos, inversión de ellos podría cambiar la polaridad y provocar daños al sistema de alternancia de su motor.

## Limpieza de la batería

Limpieza de la batería al sacarlo del tractor y el lavado con una solución de bicarbonato y agua. Si fuera necesario, raspe las terminales de la batería con un cepillo de alambre para quitar los depósitos. Escudo terminales y los cables expuestos con grasa o vaselina para evitar la corrosión.

## Faltas de la batería

Algunas causas comunes de fallas en la batería son los siguientes:

- La activación inicial incorrecta
- Sobrecarga
- Congelación
- La subfacturación
- Conexiones corroídas

Estos fallos no son cubiertos por la garantía del tractor.

# SERVICIO Y MANTENIMIENTO

## LIMPIEZA DE LAS MÁQUINAS Y LA CUBIERTA

Cualquier combustible o aceite derramado en la máquina debe ser borrado de inmediato. NO permita que los desechos que se acumulan alrededor de las aletas de refrigeración del motor o en cualquier otra parte de la máquina.

**IMPORTANTE:** El uso de una lavadora de presión para limpiar su tractor no se recomienda. Puede causar daños a los componentes eléctricos, ejes, poleas, rodamientos o el motor.

A 1 / 4 "tornillo que sostiene en un enchufe se puede encontrar en la superficie de la cubierta de su tractor como se ve en la figura. 8. Este complemento se puede reemplazar con un puerto de aguas para ser utilizado como parte de un sistema disponible por separado la cubierta de lavado.

El sistema de lavado de cubierta <sup>TM</sup> se utiliza para enjuagar los recortes de césped de la parte inferior de la cubierta y evitar la acumulación de sustancias químicas corrosivas.

**NOTA:** Consulte la sección Accesorios y adjuntos de este manual para obtener información sobre éste y otros accesorios disponibles por separado y accesorios para su tractor.

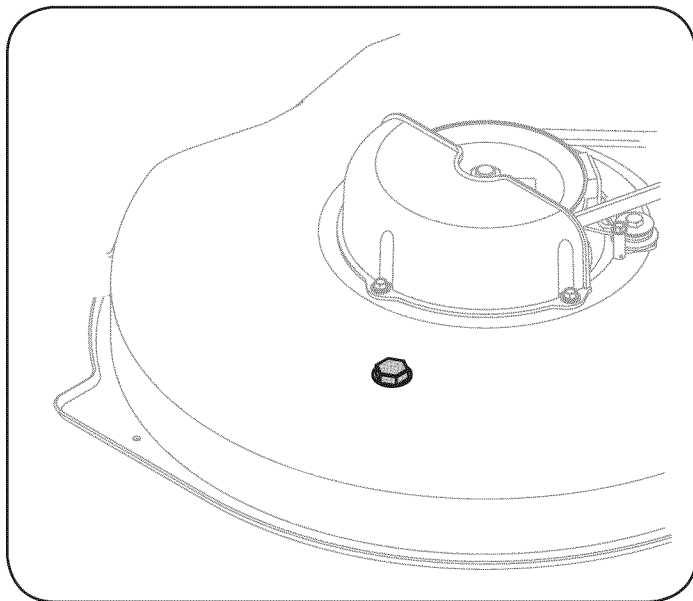


Figura 16

## AJUSTES

### ⚠ ADVERTENCIA

Nunca trate de hacer los ajustes mientras el motor esté en marcha, excepto si se especifica en el manual del operador.

### Nivelación de la cubierta de

**NOTA:** Verifique la presión del neumático del tractor antes de realizar cualquier paquete de nivelación de los ajustes. Consulte a los neumáticos en la sección de servicios de este manual para obtener más información sobre la presión de los neumáticos.

### Delante a atrás

El frente de la plataforma de corte es apoyado por una barra estabilizadora que se puede ajustar al nivel de la cubierta de delante a atrás.

La parte frontal de la cubierta debe ser de 1/4 pulgadas y 3/8-pulgada inferior a la parte trasera de la cubierta. Ajuste si es necesario lo siguiente:

1. Con el tractor estacionado en una superficie firme y nivelada, coloque la palanca de elevación de la plataforma en la segunda a la primera categoría (segunda posición más alta), y gire la hoja lo más cerca del canal de descarga que es paralelo al tractor.
2. Medir la distancia desde la parte frontal de la punta de la pala en el suelo y la parte trasera de la punta de la pala en el suelo. La primera medida tomada debe estar entre 1/4 "y 3 / 8" menos de la segunda medición. Determinar la distancia aproximada necesaria para un buen ajuste y proceder, si fuera necesario, el siguiente paso.

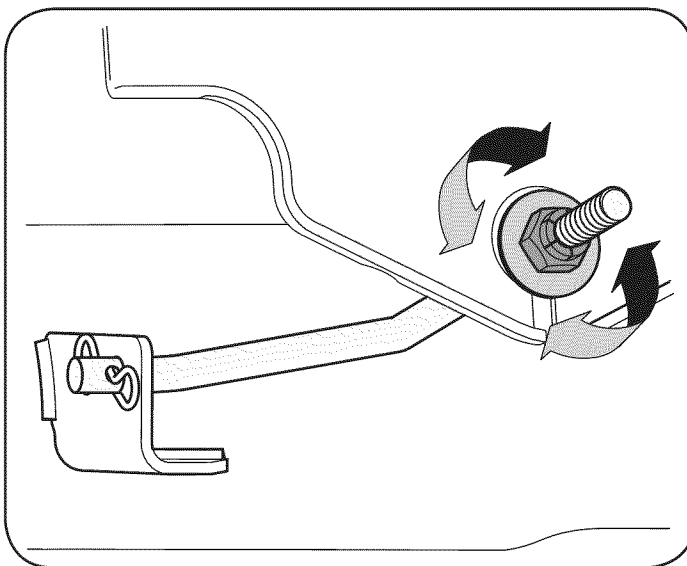


Figura 17

3. Busque la tuerca y la tuerca de bloqueo en la parte frontal del soporte del estabilizador. Véase la figura. 17 Después de aflojar la tuerca de bloqueo:
  - Apretar la tuerca de bloqueo para elevar la parte delantera de la cubierta;
  - Aflojar la tuerca de bloqueo para bajar la parte delantera de la cubierta.
4. Volver a apretar la tuerca aflojado antes, cuando se logra el ajuste adecuado.

### Un lado a otro

Si la plataforma de corte parece ser la siega de forma desigual, un lado a lado de ajuste puede ser realizado. Ajuste si es necesario lo siguiente:

1. Con el tractor estacionado en una superficie firme y nivelada, coloque la palanca de levantar la cubierta en la segunda de la primera categoría (segunda posición más alta) y girar ambas hojas de modo que sean perpendiculares con el tractor.
2. Medir la distancia desde el exterior de la punta de la pala a la izquierda en el suelo y la distancia desde el exterior de la punta de la pala derecho a la tierra. Ambas medidas adoptadas deben ser iguales. Si no es así, continúe con el paso siguiente.
3. Afloje, pero no lo quite, el tornillo hexagonal de la izquierda soporte de la cubierta de colgar. Véase la figura. 18.



## SERVICIO Y MANTENIMIENTO

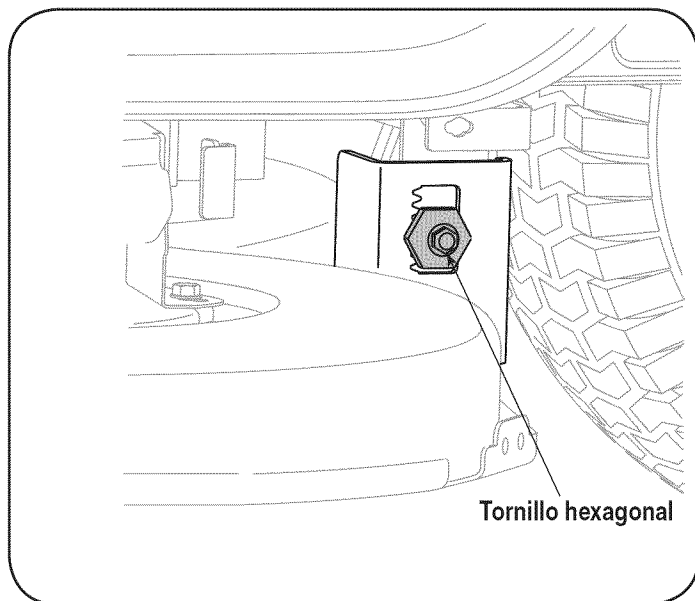


Figura 18

4. Balance de la cubierta con una llave para encender el equipo de ajuste (que se encuentra inmediatamente detrás del tornillo hexagonal sólo aflojar) hacia la derecha / arriba o hacia la izquierda o hacia abajo. La cubierta está bien equilibrado cuando las mediciones de ambas hoja punta adoptada anteriormente son iguales.
5. Vuelva a apretar el tornillo hexagonal de la izquierda soporte de la cubierta suspensión cuando se logra el ajuste adecuado.

### Ajuste del asiento

Consulte la sección de la Asamblea de este manual para instrucciones de ajuste del asiento.

### Freno de estacionamiento de ajuste

#### ⚠ ADVERTENCIA

Nunca intente ajustar los frenos cuando el motor está funcionando. Siempre desconecte toma de fuerza, palanca de cambio se ponga en posición neutral, apague el motor y quite la llave para evitar el arranque no deseado.

Si el tractor no llega a detenerse por completo cuando el pedal del freno está totalmente deprimido, o si las ruedas traseras del tractor puede rodar con el freno de estacionamiento aplicado, el freno está en la necesidad de ajuste. Comuníquese con el Centro de Servicio más cercano Sears que los frenos correctamente ajustado.

Para ubicar el Centro de Servicio más cercano Sears o para programar el servicio, simplemente póngase en contacto con Sears al 1-800-4-MY-HOME ®.

### PLATAFORMA DE CORTE DE ELIMINACIÓN

Para quitar la plataforma de corte, haga lo siguiente:

1. Colocar la toma de fuerza (Blade Engage) palanca en la posición OFF desembragar la posición y ponga el freno de estacionamiento.

2. Bajo la cubierta moviendo la palanca de elevación de cubierta en la muesca en la parte inferior del guardabarros derecho.
3. Extracción de la auto-Tornillo (A) que asegura el cinturón-Rod de todo poseedor de la polea del motor del tractor, a continuación, quitar la varilla poseedor del cinturón (B). Véase la figura. 11.

**NOTA:** Haga una nota mental de lo agujero al otro extremo de la cinta-Rod poseedor se inserta en los propósitos de reinstalación.

4. Retire la correa (C) de alrededor de la polea del motor del tractor. Véase la figura. 19.

#### ⚠ ADVERTENCIA

Evite las lesiones pellizcos. Nunca coloque sus dedos en la primavera ocioso o entre la correa y una polea, mientras se quita el cinturón.

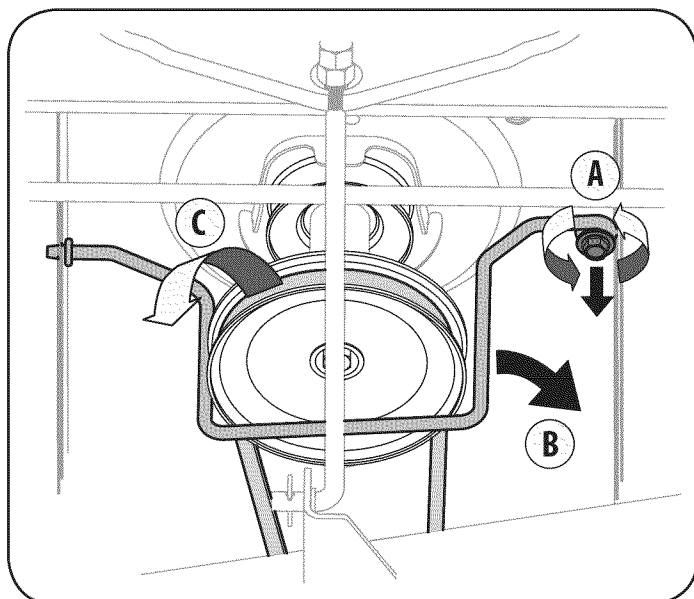


Figura 19

5. En cuanto a la plataforma de corte desde el lado izquierdo del tractor, busque el arco alfiler de corbata que asegura la vara de apoyo de cubierta en la parte trasera izquierda de la cubierta.

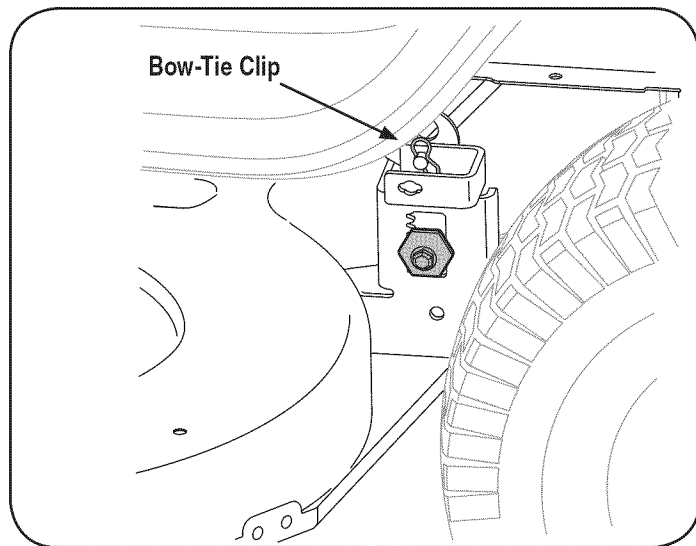


Figura 20

# SERVICIO Y MANTENIMIENTO

Véase la figura. 20. Retire el arco alfiler de corbata que asegura la vara de apoyo de cubierta, y retirar con cuidado el apoyo de la cubierta de los brazos de elevación de la cubierta.

6. Repita los pasos anteriores en el lado derecho del tractor.

**NOTA:** El arco de pelo alfiler de corbata clips debe ser instalado desde arriba hacia abajo.

7. Mover la palanca de elevación en la cubierta de primera clase en el guardabarros derecho a plantear la cubierta de levantar los brazos hacia arriba y fuera del camino.
8. Retire la pajarita chaveta garantizar la barra estabilizadora de cubierta a cubierta. Deslice la barra de levantar la cubierta de la soldadura de montaje en la cubierta como se ve en la figura. 21.

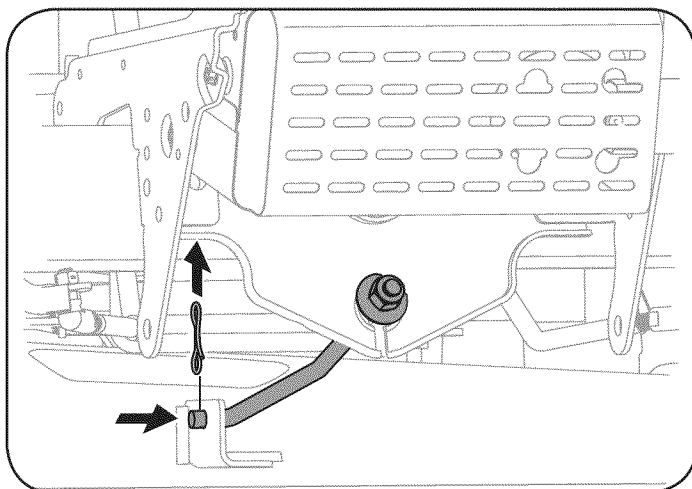


Figura 21

9. Retire con cuidado el cable de toma de fuerza de la parte trasera de la plataforma de corte al eliminar el clip de horquilla que lo sujeta. Retire el muelle del soporte rueda loca de la cubierta. Véase la figura. 22.

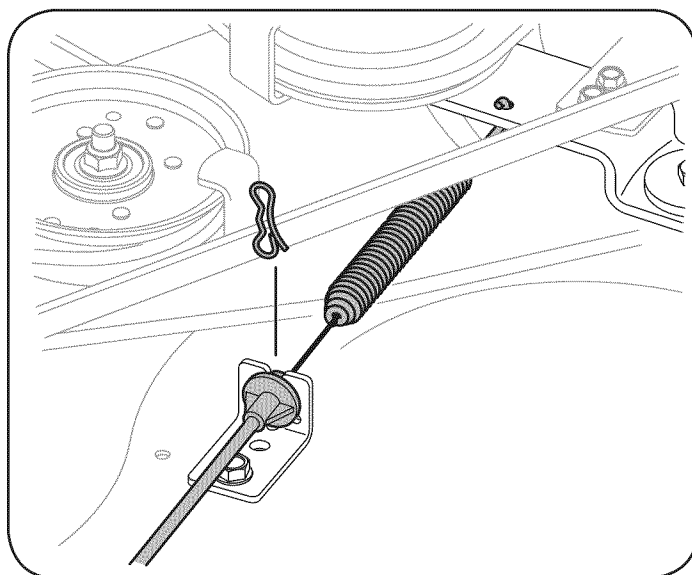


Figura 22

10. Deslice suavemente la plataforma de corte (de la izquierda) la parte de debajo del tractor.

## NEUMÁTICOS

### ⚠ ADVERTENCIA

No sobrepasar nunca la presión máxima de inflado que aparece en la pared lateral de la llanta.

### La presión de los neumáticos recomendada de funcionamiento es el siguiente:

- Aproximadamente el 10 psi para los neumáticos traseros
- Aproximadamente el 14 psi para los neumáticos delanteros

**IMPORTANTE:** Refiérase a la pared del neumático para la ISP recomendados o máximos fabricante de neumáticos es exacto. No sobre inflar. La presión del neumático desigual podría causar que la plataforma de corte para cortar de manera desigual.

## BATERÍA

Proposición 65 de California ¡ADVERTENCIA! Postes de la batería, terminales y accesorios relacionados, contienen plomo y compuestos de plomo, sustancias que en el Estado de California por causar cáncer y daños reproductivos. Lávese las manos después de manipular.

### ⚠ PRECAUCIÓN

Si al quitar la batería, desconecte el cable negativo (Negro) es el cable de la terminal en primer lugar, seguido por el positivo (rojo) de alambre. Cuando vuelva a instalar la batería, conecte el positivo (rojo) de alambre de su terminal en primer lugar, seguido por el negativo (cable Negro).

## EL ARRANQUE

### ⚠ ADVERTENCIA

Nunca salte iniciar una batería dañada o congelados. Esté seguro de los vehículos no se tocan, y están fuera de ignición. No permita que las abrazaderas de cable al tacto.

1. Conectar positivo (+) para enviar por cable positivo (+) de la batería descargada de su tractor.
2. Conecte el otro extremo del cable a la (positivo +) después de la batería de puente.
3. Conecte el segundo cable (negativo -) para el otro puesto de la batería del puente.
4. Hacer la conexión final en el bloque del motor del tractor, lejos de la batería. Adjuntar a una parte sin pintar, para asegurar una buena conexión.

### ⚠ ADVERTENCIA

Si la batería puente está instalado en un vehículo (coche, es decir, camiones), no arranque el motor del vehículo cuando el arranque de su tractor.

5. Inicio del tractor (como se indica anteriormente en esta sección de este manual).
6. El freno de mano del tractor antes de retirar los cables de puente, en el orden inverso de la conexión.

# SERVICIO Y MANTENIMIENTO

## CARGA

### ⚠ ADVERTENCIA

Baterías emiten un gas explosivo durante la carga. Carga de la batería en un área bien ventilada y manténgase lejos de una llama abierta o piloto como en un calentador de agua, estufa, horno, secadora de ropa o de otros aparatos de gas.

### ⚠ PRECAUCIÓN

Al cargar la batería de su tractor, utilice sólo un cargador de 12V diseñado para baterías de plomo-ácido. Lea su cargador de batería manual del propietario antes de cargar la batería de su tractor. Siga siempre las instrucciones y preste atención a sus ADVERTENCIAS.

Si el tractor no se ha puesto en uso durante un período de tiempo prolongado, cargue la batería de la siguiente manera:

1. Fije su cargador de batería para ofrecer un máximo de 10 amperios.

Si el cargador de la batería es automática, cargue la batería hasta el cargador indica que la carga esté completa. Si el cargador no está automática, cargue por no menos de ocho horas.

## FUSIBLE

Un fusible de 20 AMP está instalado en los juegos de cables de su tractor para proteger el sistema eléctrico del tractor de daños causados por el amperaje excesivo.

Si el sistema eléctrico no funciona, o el motor de su tractor no arranca, compruebe primero que tener la certeza de que el fusible no se ha quemado. Se puede encontrar en la parte trasera de la unidad, debajo del guardabarros situada por la batería.

### ⚠ ADVERTENCIA

Siempre use un fusible con la capacidad de potencia equivalente para la sustitución.

## CUCHILLAS DE CORTE

### ⚠ ADVERTENCIA

Apague el motor y quite la llave de encendido antes de retirar la cuchilla de corte (s) para afilar o de sustitución. Proteja sus manos usando guantes gruesos al sujetar la hoja.

### ⚠ ADVERTENCIA

Inspeccione periódicamente la hoja y / o husillo de grietas o daños, sobre todo después de haber llegado a un objeto extraño. No haga funcionar la máquina hasta que se sustituirán los elementos dañados.

Para quitar las hojas, haga lo siguiente:

1. Quite la cubierta de debajo del tractor, (ver plataforma de corte de eliminación anteriormente en esta sección) y luego se tira suavemente de la cubierta para exponer la parte inferior.
2. Coloque un bloque de madera entre el centro y el deflector de la vivienda cubierta de la cuchilla de corte para actuar como un estabilizador. Véase la figura. 23.
3. Quite la tuerca hexagonal brida que sujeta la hoja a la Asamblea del husillo. Véase la figura. 23.

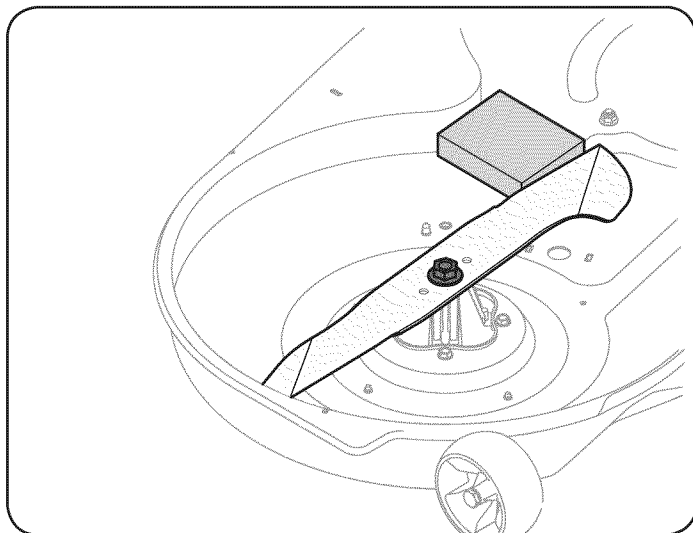


Figura 23

4. Para afinar correctamente las hojas de corte, retire la misma cantidad de metal de ambos extremos de las hojas a lo largo de los bordes de corte, paralelo al borde de fuga, en un 25° - 30° de ángulo. Siempre moler cada filo de la cuchilla de corte por igual a mantener el equilibrio de la hoja adecuada. Véase la figura. 24.

### ⚠ PRECAUCIÓN

Si el filo de la hoja ha sido previamente afilado, o si cualquier separación de metal está presente, sustituir las hojas por otras nuevas.

### ⚠ ADVERTENCIA

Una hoja mal equilibrada causará excesiva vibración, puede causar daños en el tractor y / o resultar en lesiones personales.

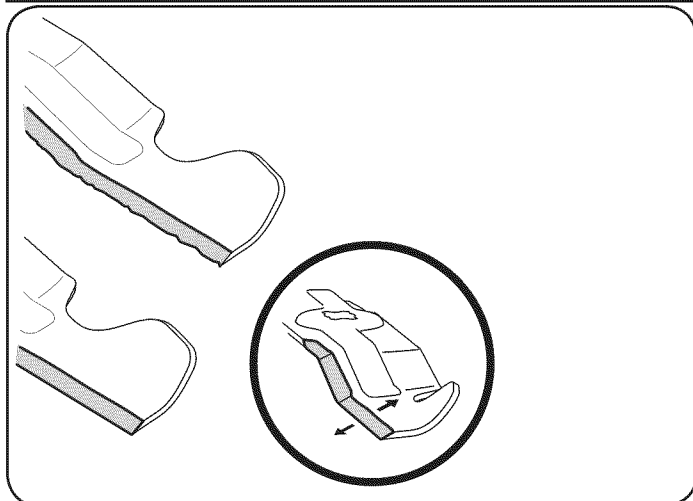


Figura 24

5. Prueba de equilibrio de la hoja con un balanceador de la hoja. Grind metal desde el lado más pesado hasta que se equilibre de manera uniforme.

# SERVICIO Y MANTENIMIENTO

**NOTA:** Cuando tenga que reemplazar la hoja, asegúrese de instalar la hoja con la cara de la hoja marcada "fondo" (o con un número estampado en él) frente a la tierra cuando el cortacésped se encuentra en la posición de funcionamiento.

## ⚠ PRECAUCIÓN

Utilice una llave de par para apretar la tuerca de husillo de la hoja brida hexagonal a entre 70 libras-pie y 90 libras-pie.

## DE CAMBIAR LA CORREA DE CUBIERTA

### ⚠ ADVERTENCIA

Asegúrese de que apague el motor, quitar la llave de encendido, desconecte el cable de la bujía (s) y tierra contra el motor para evitar involuntaria de partida antes de quitar el cinturón.

### ⚠ PRECAUCIÓN

Todos los cinturones en su tractor están sujetos a desgaste y deben ser reemplazados en caso de cualquier signo de desgaste están presentes.

**IMPORTANTE:** El V-cinturón se encuentra en su tractor está especialmente diseñado para conectar y desconectar de forma segura. Un sustituto (no OEM) V-correa puede ser peligroso al no desvincularse completamente. Para una máquina de buen funcionamiento, la fábrica de cinturones de uso aprobado.

Para cambiar o sustituir la cinta de la cubierta en su tractor, haga lo siguiente:

1. Quite la cubierta como se indica anteriormente en esta sección.
2. Retire la cinta cubre mediante la eliminación de los tornillos hexagonales que sujetan a la cubierta. Véase la figura. 25.
3. También puede ser necesario aflojar la tuerca hexagonal de la polea tensora a la izquierda para obtener el cinturón alrededor de la polea y el protector de la correa.

4. Retire con cuidado la cinta de cubierta de alrededor de las dos poleas del husillo y las dos poleas polea tensora de la cubierta. Véase la figura. 25.
5. Para colocar la correa nueva, empieza haciendo que el cinturón alrededor de las dos poleas exterior del huso, como se muestra en la figura. 25.
6. Luego, la cinta de ruta alrededor de las dos polines poleas de la cubierta como se muestra en la figura. 25.
7. Volver a apretar la barra poseedor del cinturón aflojado antes.
8. Volver a montar la cinta de los guardias de retirarse antes.
9. Vuelva a instalar la cubierta, asegurándose de que la cinta sigue siendo derrotados en las poleas con las instrucciones. El enrutamiento de banda completa se muestra en la figura. 25.
10. Tire de la parte derecha de la cinta, y coloque el lado V estrecha de la correa en la polea PTO.
11. Mientras se mantiene la correa y la polea juntos, girar la polea a la izquierda. Seguir manteniendo y rotación de la polea y la correa hasta que la correa es totalmente enrollado en la polea PTO.

## CAMBIO DE LA CORREA DE TRANSMISIÓN DE TRANSMISIÓN

**NOTA:** Varios componentes deben ser retirados y herramientas especiales (es decir aire / Llave de impacto) a fin de cambiar la correa de transmisión del tractor. Comuníquese con el Centro de Servicio más cercano Sears que su correa de transmisión de transmisión de los servicios.

**Para ubicar el Centro de Servicio más cercano Sears o para programar el servicio, simplemente póngase en contacto con Sears al 1-800-4-MY-HOME ®.**

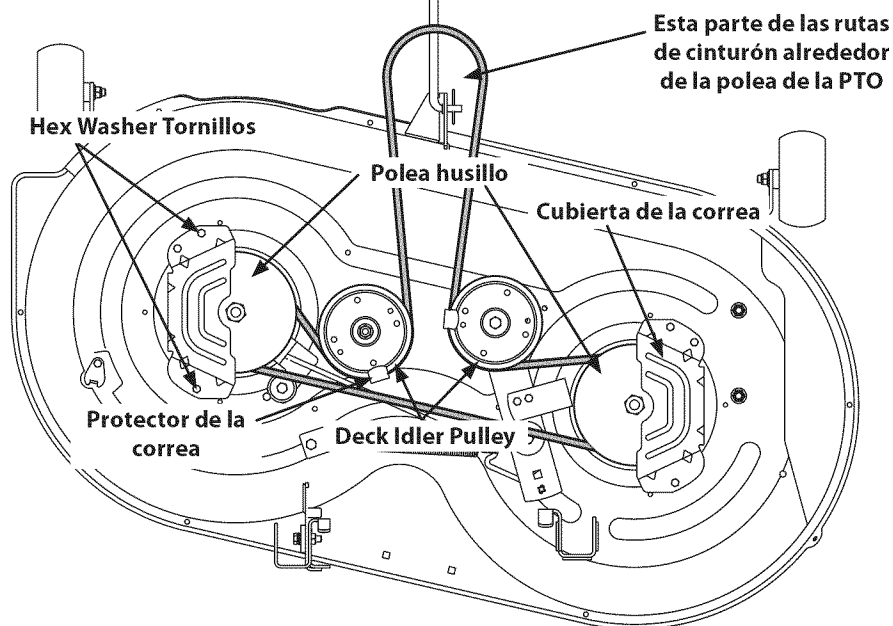


Figura 25

# ALMACENAMIENTO FUERA DE TEMPORADA

## ⚠ ADVERTENCIA

Nunca almacene tractor de césped con combustible en el tanque en un espacio cerrado o en áreas con poca ventilación, donde los gases del combustible puedan alcanzar el fuego, chispas o una luz piloto como la que tienen algunos hornos, calentadores de agua, secadores de ropa o algún otro dispositivo a gas.

## PREPARACIÓN DEL MOTOR

**IMPORTANTE:** El combustible que queda en el tanque cuando hace calor se deteriora y ocasiona graves problemas de encendido.

Para evitar que se formen depósitos de goma dentro del carburador del motor y posibles desperfectos en el motor, el sistema de combustible debe ser vaciado completamente, o se debe tratar la gasolina con un estabilizador para evitar el deterioro.

1. Si utiliza un estabilizador de combustible:
  - a. Lea las instrucciones y recomendaciones del fabricante del producto.
  - b. Agregue la cantidad correcta de estabilizador para la capacidad del sistema de combustible a gasolina limpia y nueva.
  - c. Llene el depósito de combustible con combustible tratado y haga funcionar el motor 2-3 minutos para estabilizar el combustible dentro del carburador.
4. Cuando vacíe el sistema de combustible:
  - a. No drene el combustible cuando el motor está caliente. Permita que el motor se enfríe bien. Drene el combustible dentro de un recipiente aprobado y al aire libre, lejos de cualquier llama expuesta.
  - b. Drene un gran volumen de combustible desde el depósito, desconectando la línea de combustible del filtro de combustible en línea que se encuentra cerca del motor.
  - c. Vuelva a conectar la línea de combustible y haga funcionar el motor hasta que comience a fallar, use entonces el cebador para mantener el motor en marcha hasta agotar todo el combustible del carburador.
  - d. Vuelva a desconectar la línea de combustible y drene la gasolina restante en el sistema.
5. Extraiga la bujía y vierta una (1) onza de aceite para motor por el orificio de la bujía en el cilindro. Haga girar el motor varias veces para distribuir el aceite. Vuelva a colocar la bujía.

## ⚠ ADVERTENCIA

La gasolina es sumamente inflamable y puede ser explosiva en ciertas condiciones. Vacíe la antes de almacenar el equipo durante períodos prolongados. Drene el combustible únicamente dentro de un recipiente aprobado y al aire libre, lejos de cualquier llama expuesta. Deje que el motor se enfríe. Antes de drenar el combustible, apague cigarrillos, cigarros, pipas y otras fuentes de combustión. Vacíe la gasolina en un área bien ventilada, lejos de cualquier fuente de llama o chispas, incluido cualquier artefacto con luz piloto. Almacene la gasolina en un recipiente aprobado, en un lugar seguro.

## EL DRENAJE DE LOS COMBUSTIBLES

1. Localice el filtro de combustible, que se encuentra en el lado izquierdo del motor, y puede ser conectado al motor con una correa de empate.
2. Cortar la correa de la corbata, si está presente, entonces emergente en la abrazadera en línea en el filtro de combustible con un

## ⚠ ADVERTENCIA

La gasolina es una sustancia tóxica. Elimine la gasolina adecuadamente. Comuníquese con las autoridades locales para averiguar cuáles son los métodos adecuados para eliminar la gasolina.

- par de alicates, deslice la abrazadera de la línea de combustible.
3. Quite la línea de combustible en la línea y la fuga de combustible en un recipiente aprobado.

## PREPARACIÓN DE LA TRACTOR DE CÉSPED

- Limpie y lubrique la tractor como se describe en las instrucciones de lubricación.
- No utilice una lavadora a presión ni una manguera de jardín para limpiar su unidad.
- Almacene la tractor en una zona limpia y seca. No la almacene cerca de materiales corrosivos como por ejemplo fertilizantes.

# SOLUCIÓN DE PROBLEMAS

Problema	Causa	Remedio
El motor no arranca	<ol style="list-style-type: none"> <li>1. Perilla de potencia de arranque (PTO) conectada.</li> <li>2. No está colocado el freno de mano.</li> <li>3. Se ha desconectado el cable de las bujías.</li> <li>4. La palanca de control del regulador no está en la posición de arranque correcta.</li> <li>5. No se ha activado el cebador</li> <li>6. El depósito de combustible está vacío o el combustible se ha echado a perder.</li> <li>7. La línea del combustible está bloqueada.</li> <li>8. Las bujías no funcionan correctamente.</li> <li>9. Motor ahogado.</li> <li>10. Fusible fundido (s)</li> </ol>	<ol style="list-style-type: none"> <li>1. Coloque la perilla en la posición de desconexión (OFF).</li> <li>2. Coloque el freno de mano.</li> <li>3. Conecte el cable a las bujías.</li> <li>4. Mueva la palanca del regulador a la posición FAST (rápido).</li> <li>5. Tire el control del CEBADOR hacia afuera.</li> <li>6. Llene el depósito con gasolina limpia y nueva (de menos de 30 días).</li> <li>7. Limpie la línea de combustible y reemplace el filtro de combustible.</li> <li>8. Limpie o cambie las bujías o ajuste la separación.</li> <li>9. Arranque el motor con el regulador en posición FAST (rápido).</li> <li>10. Reemplace el fusible (s)</li> </ol>
El motor funciona de manera errática	<ol style="list-style-type: none"> <li>1. La unidad está funcionando con el CEBADOR activado.</li> <li>2. Se han aflojado los cables de la bujía.</li> <li>3. La línea del combustible está tapada o el combustible se ha echado a perder.</li> <li>4. La ventilación en la tapa del combustible está obstruida.</li> <li>5. Agua o suciedad en el sistema del combustible.</li> <li>6. El filtro de aire está sucio.</li> </ol>	<ol style="list-style-type: none"> <li>1. Presione el control del CEBADOR.</li> <li>2. Conecte los cables de la bujía.</li> <li>3. Limpie la línea de combustible; llene el tanque con gasolina limpia y nueva y reemplace el filtro de combustible.</li> <li>4. Destape la ventilación o reemplace la tapa si está dañada.</li> <li>5. Vacíe el tanque de combustible. Llene el tanque con gasolina limpia y nueva.</li> <li>6. Reemplace el elemento de papel del filtro de aire o limpie el depurador de espuma.</li> </ol>
El motor recalienta	<ol style="list-style-type: none"> <li>1. El nivel de aceite del motor está bajo.</li> <li>2. Flujo de aire restringido.</li> </ol>	<ol style="list-style-type: none"> <li>1. Llene el cárter con la adecuada cantidad y peso de aceite.</li> <li>2. Limpie los recortes de pasto y la suciedad acumulados alrededor de las aletas de refrigeración del motor y del alojamiento del soplador.</li> </ol>
El motor vacila a altas revoluciones	<ol style="list-style-type: none"> <li>1. La separación de las bujías es muy pequeña.</li> </ol>	<ol style="list-style-type: none"> <li>1. Retire las bujías y reajuste la separación</li> </ol>
El motor funciona con dificultad en ralentí	<ol style="list-style-type: none"> <li>1. Bujía atorada, averiada o exceso de separación.</li> <li>2. El filtro de aire está sucio.</li> </ol>	<ol style="list-style-type: none"> <li>1. Reemplace las bujías. Configure la separación de la bujía.</li> <li>2. Reemplace el elemento del filtro de aire y/o limpie el depurador.</li> </ol>
Demasiada vibración	<ol style="list-style-type: none"> <li>1. Cuchilla de corte floja o descentrada.</li> <li>2. Cuchilla dañada o curvada</li> </ol>	<ol style="list-style-type: none"> <li>1. Apriete la cuchilla y el husillo.</li> <li>2. Reemplace la cuchilla.</li> </ol>
La cortadora de césped no regresa el recorte de césped como abono	<ol style="list-style-type: none"> <li>1. La velocidad del motor es demasiado lenta.</li> <li>2. Césped húmedo.</li> <li>3. Césped demasiado alto.</li> <li>4. La cuchilla de la cortadora no está afilada.</li> </ol>	<ol style="list-style-type: none"> <li>1. Coloque el control del regulador en la posición FAST (velocidad rápida, representada por una liebre).</li> <li>2. No realice abono cuando el césped está húmedo.</li> <li>3. Corte una vez a una altura de corte elevada y luego vuelva a cortar el césped a la altura deseada, o haga una pasada de corte más angosta.</li> <li>4. Afile o cambie la cuchilla.</li> </ol>
Corte desigual	<ol style="list-style-type: none"> <li>1. La plataforma no está correctamente nivelada.</li> <li>2. La cuchilla de la cortadora no está afilada.</li> <li>3. Presión de neumáticos desigual.</li> </ol>	<ol style="list-style-type: none"> <li>1. Realice un ajuste de la plataforma lado a lado.</li> <li>2. Afile o cambie la cuchilla.</li> <li>3. Verifique la presión de los cuatro neumáticos.</li> </ol>

## Busque el período de duración de emisiones importantes y la información de clasificación de aire en la etiqueta de emisiones de su motor

Los motores cuyo cumplimiento con los estándares de emisión Tier 2 de la Comisión de Recursos Ambientales de California (CARB) esté certificado deben exhibir la información relacionada con el período de duración de las emisiones y la clasificación de aire. Sears Brands Management Corporation ponen esta información a disposición del consumidor en nuestras etiquetas de emisiones.

El Período de Duración de las Emisiones describe el número de horas de tiempo real de funcionamiento para el cual se certifica que el motor cumple con las reglas de emisión, descontando el mantenimiento adecuado del mismo según las instrucciones de operación y mantenimiento. Se utilizan las siguientes categorías:

**Moderado:** Se certifica que el motor cumple con las reglas de emisión durante 125 horas de tiempo real de funcionamiento del motor.

**Inmediato:** Se certifica que el motor cumple con las reglas de emisión durante 250 horas de tiempo real de funcionamiento del motor.

**Extendido:** Se certifica que el motor cumple con las reglas de emisión durante 500 horas de tiempo real de funcionamiento del motor.

Por ejemplo, una cortadora de césped típica que se empuja desde atrás se usa entre 20 y 25 horas por año. Por lo tanto, el **Período de Duración de Emisiones** de un motor con una **clasificación intermedia** sería equivalente a entre 10 y 12 años.

La **clasificación de aire** es un número calculado para describir el nivel relativo de emisiones para un grupo de motores en particular. Cuanto menor sea la **clasificación de aire**, mayor es la limpieza del motor. La información se presenta de forma gráfica en la etiqueta de emisiones.

### Después del 1 de julio de 2000, busque el período de cumplimiento de las reglas de emisiones en la etiqueta de cumplimiento de las reglas de emisiones del motor

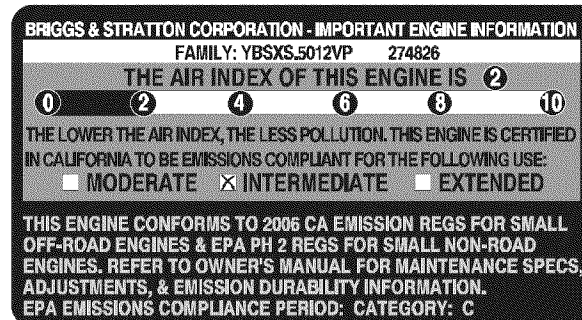
Después del 1 de julio de 2000 se certificará que determinados motores Sears Brands Management Corporation cumplen con los estándares de emisiones de la fase 2 de la Agencia de Protección Ambiental de los Estados Unidos (USEPA). Para los motores certificados para la etapa 2, el período de cumplimiento con las reglas de emisiones al cual se hace referencia en la etiqueta de cumplimiento con las reglas de emisiones indica el número de horas de funcionamiento para el cual se ha demostrado que el motor cumple con los requerimientos federales de emisión.

Para los motores con desplazamiento inferior a 225 cc, Categoría C = 125 horas, B = 250 horas y A = 500 horas.

Para los motores con desplazamiento de 225 cc o más, Categoría C = 250 horas, B = 500 horas y A = 1000 horas.

El desplazamiento de los motores de la serie modelo 150112 es 249 cc.

La presente es una representación genérica de la etiqueta de emisión que se encuentra generalmente en un motor certificado.



(Esta página se aplica sólo en EE.UU. y Canadá).

**Sears Brands Management Corporation, el Consejo de Recursos Ambientales de California (CARB)  
y la Agencia de Protección Ambiental de los Estados Unidos (EPA)**

**Declaración de garantía del sistema de control de emisiones (derechos y obligaciones de la garantía de defectos del propietario)**

LA COBERTURA DE LA GARANTÍA DE CONTROL DE EMISIONES ES APLICABLE A LOS MOTORES CERTIFICADOS COMPRADOS EN CALIFORNIA EN 1995 Y POSTERIORMENTE, QUE SE UTILIZAN EN CALIFORNIA,

**Declaración de garantía sobre defectos en el control de emisiones para California y los Estados Unidos**

El Consejo de Recursos Ambientales de California (CARB), la EPA (Agencia de Protección Ambiental de los EE.UU.) y Sears tienen el gusto de explicar la garantía del sistema de control de emisiones para motores del año 2000 y para el futuro con relación a motores pequeños todo terreno (SORE). En California, los nuevos motores pequeños todo terreno deben estar diseñados, construidos y equipados para cumplir con las rigurosas normas anti-smog del estado. En el resto de los Estados Unidos, los motores nuevos todo terreno de encendido por chispa certificados para el año 1997 deben cumplir estándares similares establecidos por la EPA. Sears debe garantizar el sistema de control de emi-

Y PARA LOS MODELOS CERTIFICADOS DEL AÑO 1997 Y POSTERIORES, QUE SE COMPREN Y UTILICEN EN CUALQUIER PARTE DE LOS ESTADOS UNIDOS (Y A PARTIR DEL 1 DE ENERO DE 2001 EN CANADÁ).

siones de su motor para los períodos de tiempo enumerados a continuación, siempre que no haya abuso, negligencia o mantenimiento indebido de su motor todo terreno pequeño. Su sistema de control de emisiones puede incluir piezas tales como el carburador, el filtro de aire, el sistema de encendido, el silenciador y el convertidor catalítico. También puede incluir conectores y otras unidades relacionadas con las emisiones. Donde exista una condición cubierta por la garantía, Sears reparará su pequeño motor todo terreno sin costo alguno incluyendo diagnóstico, piezas y mano de obra

**Cobertura de la garantía Sears para defectos en el control de emisiones**

Los motores todo terreno pequeños están garantizados en lo relativo al control de emisiones para defectos en piezas durante un período de dos años, sujeto

**Responsabilidades del propietario en relación con la garantía**

Como propietario del motor todo terreno pequeño, Ud. es responsable de la realización del mantenimiento requerido que se incluye en las instrucciones de operación y mantenimiento. Sears recomienda que se conserven todos los recibos relativos al mantenimiento de su motor todo terreno pequeño, pero no puede denegar la garantía simplemente por la falta de los mismos, o por su incumplimiento del mantenimiento programado. Como propietario del motor pequeño todoterreno debe saber que, sin embargo, Sears le puede negar la cobertura de la garantía si su motor todoterreno pequeño o una pieza del mismo han fallado debido a abuso, negligencia, mantenimiento indebido o

**Disposiciones de la garantía Sears para defectos en el control de emisiones**

Las siguientes son disposiciones específicas relacionadas con la cobertura de la garantía para defectos en el control de emisiones. Es un añadido a la garantía de motor Sears para motores no regulados que se encuentra en las instrucciones de funcionamiento y mantenimiento.

**1. Piezas con garantía**

La cobertura de esta garantía se extiende únicamente a las piezas que aparecen a continuación (las partes de los sistemas de control de emisiones), siempre que dichas piezas estuvieran ya en el motor en el momento de su compra.

- a. Sistema de medición de combustible
  - Sistema de enriquecimiento para arranque en frío
  - Carburador y partes internas
  - Bomba de combustible
- b. Sistema de inducción de aire
  - Filtro de aire
  - Colector de admisión
- c. Sistema de encendido
  - Bujía(s) de encendido
  - Sistema de encendido magneto
- d. Sistema del catalizador
  - Convertidor catalítico
  - Colector de escape
  - Sistema de inyección de aire o válvula de impulsos
- e. Elementos variados usados en los sistemas anteriores
  - Válvulas de vacío, sensibles a temperatura, posición y tiempo e interruptores
  - Conectores y montajes

**2. Alcance de la cobertura**

Sears garantiza al poseedor inicial y a los compradores subsiguientes que las piezas con garantía no tendrán defectos en materiales ni mano de obra que provoquen la falla de las mismas durante un período de dos años a partir de la fecha en que el motor se entrega a un comprador particular.

**3. Sin cargo**

La reparación o reemplazo de cualquier parte con garantía se realizará

a las disposiciones que se indiquen a continuación. Si una parte de su motor cubierta por la garantía es defectuosa, Sears reparará o sustituirá dicha parte.

a modificaciones no aprobadas. Ud. es responsable de presentar su motor todoterreno pequeño a un distribuidor de servicios Sears autorizado tan pronto como aparezca un problema. Las reparaciones de la garantía sin conflicto deben completarse en un plazo de tiempo razonable, no superior a 30 días. Si tiene alguna pregunta respecto a sus derechos y responsabilidades referentes a la garantía, debe contactar con un representante de servicios Sears al 1--800--469--4663. La garantía de emisiones es una garantía por defectos. Los defectos se juzgan de acuerdo con el funcionamiento normal de un motor. La garantía no está relacionada con una prueba de emisiones en uso.

sin cargo alguno para el poseedor, incluyendo tareas de diagnóstico que permitan determinar si una parte con garantía es defectuosa, siempre que dicho diagnóstico se realice en un distribuidor de servicios Sears autorizado. Para el servicio de la garantía de emisiones, contacte al distribuidor de servicios Sears autorizado más cercano incluido en las "Páginas amarillas" en las categorías "Motores, gasolina", "Motores de gasolina", "Podadoras de césped", o similares.

**4. Reclamaciones y exclusiones a la cobertura**

Las reclamaciones de la garantía deben enviarse de acuerdo con las disposiciones de la política de garantía para motores Sears. La cobertura de la garantía excluirá defectos en piezas con garantía que no sean partes originales Sears, o abuso, negligencia o mantenimiento incorrecto, tal y como se establece en la política de garantía para motores Sears. Sears no es responsable de las fallas en piezas con garantía provocadas por el uso de partes añadidas, que no sean originales o que se hayan modificado.

**5. Mantenimiento**

Cualquier parte con garantía que no esté programada para ser reemplazada como mantenimiento requerido, o que sólo deba inspeccionarse regularmente al efecto de "inspeccione o reemplace según sea necesario", estará garantizada contra defectos durante el período de la garantía. Todas las piezas garantizadas que estén programadas para su reemplazo para cumplir con los requisitos de mantenimiento estarán garantizadas sólo por el período anterior al primer reemplazo programado para dicha pieza. Cualquier pieza de recambio que sea equivalente en funcionamiento y durabilidad puede usarse para realizar mantenimiento o reparaciones. El propietario es responsable de realizar todo el mantenimiento requerido, tal y como se define en las instrucciones de funcionamiento y mantenimiento Sears

**6. Cobertura indirecta**

Por la presente, la cobertura se extiende a la falla de cualquier componente de motor provocada por la falla de una pieza con garantía que esté todavía en período de garantía.

En los Estados Unidos y Canadá hay una línea de atención de 24 horas, **1-800-469-4663**, que cuenta con un menú con mensajes pre-grabados que contienen información para el mantenimiento de motores.



**DECLARACIÓN FEDERAL y/o DE CALIFORNIA SOBRE GARANTÍAS EN EL CONTROL DE EMISIONES  
SUS DERECHOS Y OBLIGACIONES EN CUANTO A LA GARANTÍA**

MTD Consumer Group Inc, la Agencia de Protección Medioambiental de los Estados Unidos (EPA), y para aquellos productos certificados para su venta en el estado de California, el Departamento de los Recursos del Aire de California (CARB) se complacen en explicar la garantía que cubre al sistema de control (ECS) de emisiones (evaporativas y/o de escape) de su equipo y motor (motor de equipos de exteriores) de encendido por chispa para todo terreno, pequeño, de exteriores del año 2006 y años posteriores. En California, los nuevos motores de equipos de exteriores deben estar diseñados, construidos y equipados para cumplir con las estrictas normas antipolución del Estado (en otros estados, los equipos del año 1997 y modelos posteriores deben ser estar diseñados, construidos y equipados para cumplir con las regulaciones de motores de encendido por chispa para todo terreno pequeños de la Agencia de Protección Medioambiental de los Estados Unidos, (EPA). MTD Consumer Group Inc. debe garantizar el sistema de control de emisiones (ECS) de su motor de equipos de exteriores por el período de tiempo indicado más abajo, siempre y cuando no exista uso incorrecto, negligencia o mantenimiento inadecuado de dicho motor.

Su ECS puede incluir piezas tales como el carburador, el sistema de inyección de combustible, el sistema de encendido, el convertidor catalítico, los depósitos de combustible, las líneas de combustible, los tapones de combustible, las válvulas, contenedores, filtros, mangueras de vapor, abrazaderas, conectores y otros componentes afines relacionados con las emisiones.

Donde exista una condición cubierta por la garantía, MTD Consumer Group Inc. reparará su motor de equipos de exteriores sin costo alguno incluyendo el diagnóstico, las piezas y la mano de obra.

**COBERTURA DE LA GARANTÍA DEL FABRICANTE:**

Este sistema de control de emisiones se garantiza por el término de dos años. Si alguna pieza relacionada con las emisiones de su motor de equipos de exteriores es defectuosa, MTD CONSUMER GROUP INC. reparará o sustituirá dicha pieza.

**RESPONSABILIDADES DEL PROPIETARIO SEGÚN LA GARANTÍA:**

En su carácter de propietario del motor de equipos de exteriores, usted es responsable del mantenimiento requerido que se especifica en el manual del propietario. MTD Consumer Group Inc le recomienda que conserve todos los recibos que cubren el mantenimiento de su motor, no obstante lo cual MTD Consumer Group Inc no podrá denegar el cumplimiento de la garantía únicamente por la falta de los recibos.

Como propietario del motor de equipos de exteriores, usted debe saber que MTD Consumer Group Inc. puede denegar la cobertura de la garantía si su motor o una pieza del mismo fallan debido a uso incorrecto, negligencia, mantenimiento indebido o a modificaciones no aprobadas.

Usted es responsable de presentar su motor al centro de distribución o servicio técnico de MTD Consumer Group Inc. tan pronto como aparezca el problema. Las reparaciones cubiertas por la garantía se deben llevar a cabo en un lapso razonable que no exceda de 30 días. Si tiene alguna pregunta respecto de la cobertura de la garantía, póngase en contacto con el Departamento del Servicio Técnico de MTD Consumer Group Inc. al teléfono 1-800-800-7310 o por correo electrónico en <http://support.mtdproducts.com>

**COBERTURA DE LA GARANTÍA DE EMISIONES GENERALES:**

MTD Consumer Group Inc garantiza al comprador final y a cada comprador subsiguiente que el motor de equipos de exteriores: está diseñado, construido y equipado de modo de cumplir con todas las regulaciones aplicables y que se encuentra libre de defectos de materiales y de fabricación que pudieren causar la falla de una pieza garantizada idéntica, en todos los aspectos materiales a la pieza descrita en la solicitud de certificación de MTD Consumer Group Inc.

El período de garantía comienza en la fecha de entrega del motor al comprador final o en la fecha en que la máquina se pone en funcionamiento por primera vez. El período de garantía es de dos años.

Sujeto a ciertas condiciones y exclusiones que se indican a continuación, la garantía de las piezas relacionadas con las emisiones es la siguiente:

1. Cualquier pieza garantizada que no esté programada para ser reemplazada como parte del mantenimiento requerido en las instrucciones escritas suministradas se garantiza por el período de garantía arriba mencionado. Si la pieza falla durante el período de cobertura de la garantía, la misma será reparada o reemplazada por MTD Consumer Group Inc. de acuerdo con el párrafo (4) a continuación. Cualquier pieza reparada o reemplazada según la garantía se garantizará por el resto del período de garantía.
2. Cualquier pieza garantizada que esté programada solamente para inspección regular en las instrucciones escritas suministradas se garantiza por el período de garantía arriba mencionado. Cualquier pieza reparada o reemplazada según la garantía se garantizará por el resto del período.
3. Cualquier pieza garantizada que esté programada para reemplazo según el mantenimiento requerido de conformidad con las instrucciones escritas suministradas, se garantiza por el período de tiempo anterior a la primera fecha de reemplazo programada para esa pieza. Si la pieza falla antes del primer reemplazo programado, la misma será reparada o reemplazada por MTD Consumer Group Inc. de acuerdo con el párrafo (4) a continuación. Cualquier pieza reparada o reemplazada bajo garantía se garantizará por el resto del período anterior al primer reemplazo programado puntual para esa pieza.
4. La reparación o el reemplazo de cualquier pieza garantizada de conformidad con las disposiciones de la garantía que aquí se estipula se deben realizar en un centro de garantía sin costo alguno para el propietario.
5. No obstante las disposiciones que aquí se estipulan, los servicios o reparaciones bajo garantía se suministrarán en todos nuestros centros de distribución bajo franquicia de mantenimiento para los motores o equipos en cuestión.
6. El propietario del motor de equipos de exteriores no deberá pagar el trabajo de diagnóstico directamente asociado con una pieza garantizada defectuosa en relación con las emisiones, siempre y cuando dicho trabajo de diagnóstico se realice en un centro cubierto por la garantía.
7. MTD Consumer Group Inc es responsable por daños causados a otros componentes de motores o equipos derivados de la falla bajo garantía de cualquier pieza garantizada.

8. Durante la totalidad del período de garantía del motor y equipo para todo terreno arriba mencionado, MTD Consumer Group Inc mantendrá un suministro de piezas bajo garantía suficiente para satisfacer la demanda esperada de tales piezas.
9. Cualquier pieza de reemplazo se podrá usar para el cumplimiento del mantenimiento o las reparaciones bajo garantía y se suministrarán sin cargo para el propietario. Dicho uso no reducirá las obligaciones de garantía de MTD Consumer Group Inc.
10. No se podrán usar piezas adicionales ni modificadas que no estén exentas de acuerdo con el Departamento de los Recursos del Aire (Air Resources Board). El uso de cualquier pieza adicional o modificada no exenta por el comprador final será causal de invalidez de los reclamos bajo garantía. MTD Consumer Group Inc no tendrá responsabilidad por la garantía de fallas de piezas garantizadas que fueren causadas por el uso de una pieza adicional no exenta o modificada.

#### **PIEZAS GARANTIZADAS:**

La reparación o el reemplazo de cualquier pieza garantizada que de otro modo pudiese estar cubierta por la garantía podrá ser excluida de tal cobertura de garantía si MTD Consumer Group Inc demuestra que el motor es objeto de uso incorrecto, negligencia o mantenimiento inadecuado, y que tal uso incorrecto, negligencia o mantenimiento inadecuado fue causa directa de la necesidad de reparación o reemplazo de dicha pieza. No obstante lo antedicho, cualquier ajuste de un componente con un dispositivo de limitación de ajuste instalado en fábrica y que funcione adecuadamente, podrá ser cubierto por la garantía. Además, la cobertura bajo esta garantía se extiende solo a piezas que estuvieron presentes en el motor y equipo todo terreno adquiridos.

Están cubiertas las siguientes piezas con garantía para emisiones (de corresponder):

(1) Sistema de medición de combustible

- Sistema de mejora para inicio en frío (cebado suave)
- Carburador y piezas internas (o sistema de inyección por combustible)
- Bomba de combustible
- Depósito de combustible

(2) Sistema de inducción de aire

- Purificador de aire
- Colector de admisión

(3) Sistema de encendido

- Bujía(s) de encendido
- Sistema de encendido por magneto

(4) Sistema de encendido

- Convertidor catalítico
- SAI (válvula Reed)

(5) Componentes varios utilizados en el sistema anterior

- Válvulas e interruptores de vacío, temperatura, posición sensibles al tiempo
- Conectores y montajes

(6) Control evaporativo

- Manguera de combustible
- Abrazaderas de la manguera de combustible
- Tapón del combustible atado por correa
- Caja de carbono
- Líneas de vapor

## ACUERDO DE PROTECCIÓN PARA REPARACIONES

Felicitaciones por haber realizado una adquisición inteligente. El producto Craftsman® que ha adquirido está diseñado y fabricado para brindar muchos años de funcionamiento confiable. Pero como todos los productos a veces puede requerir de reparaciones. Es en ese momento cuando el disponer de un Acuerdo de protección para reparaciones le puede ahorrar dinero y problemas.

A continuación se detallan los puntos incluidos en el Acuerdo:

- **Servicio experto** prestado por nuestros 10,000 especialistas en reparaciones profesionales
- **Servicio ilimitado sin cargo** para las piezas y la mano de obra en todas las reparaciones cubiertas
- **Reemplazo del producto** hasta 1500 dólares si no es posible reparar el producto cubierto
- **Descuento de 10%** del precio normal del servicio y de las piezas relacionadas con el mismo que no estén cubiertas por el acuerdo; además, 10% del precio normal de la verificación de mantenimiento preventivo
- **Ayuda rápida por teléfono** - lo llamamos Resolución Rápida – el apoyo telefónico de un Chamusca al representante. Piense en nosotros como el manual “de un dueño hablador.”

Una vez adquirido el Acuerdo, puede programar el servicio con tan sólo realizar una llamada telefónica. Puede llamar en cualquier momento del día o de la noche o programar un servicio en línea. El Acuerdo de Protección de Reparación es una compra sin riesgo. Si usted anula por alguna razón durante el período de garantía de producto, proporcionaremos un reembolso lleno. O, un reembolso prorrateado en cualquier momento después del período de garantía de producto expira. ¡Adquiera hoy su acuerdo de protección para reparaciones!

**Se aplican determinadas limitaciones y exclusiones. Para obtener información adicional y precios en los Estados Unidos llame al 1-800-827-6655.**

**El \*Coverage en Canadá varía en algunos artículos. Para detalles llenos la llamada Chamusca Canadá en 1-800-361-6665.**

### **Servicio de instalación de Sears**

Si desea solicitar la instalación profesional de Sears de aparatos domésticos, dispositivos para abrir portones, calentadores de agua y otros artículos domésticos importantes, en los Estados Unidos o Canadá llame al **1-800-4-MY-HOME®**.

**CRAFTSMAN®**

**Riding Equipment  
questions or problems?**

**Satisfaction with your purchase  
is our number one concern!**

**To troubleshoot problems,  
get answers to questions, order parts,  
or schedule repair service for your  
Riding Equipment, call the number below.**

**Para respuestas a preguntas o problemas,  
y ordenar piezas o pedir servicio para la  
reparación de su equipo, llame el número abajo.**

---

**1-800-659-5917**

**Craftsman Help Line**

---

**[www.craftsman.com](http://www.craftsman.com)**